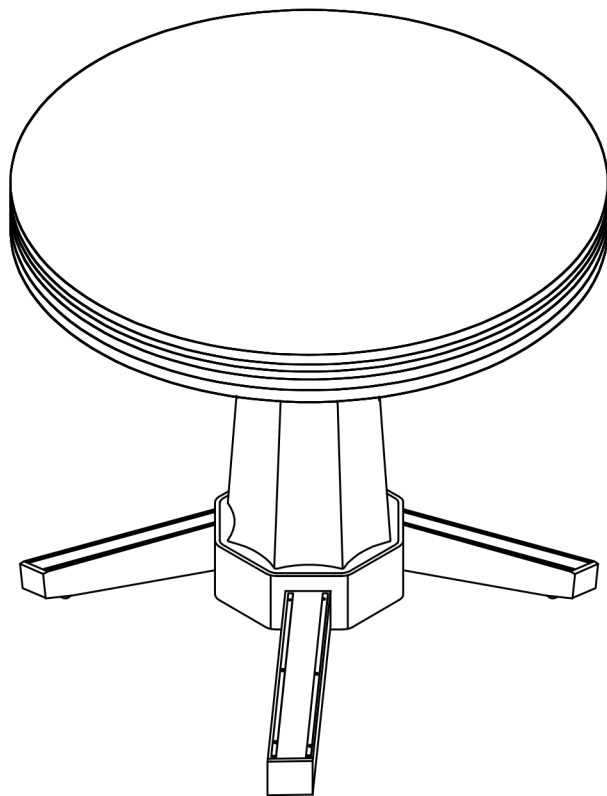


# Assembly Instructions



## ASSEMBLY RATING

The Assembly Rating is a 5-point system that shows the degree of effort needed in assembling a specific product (with 1 being easy and 5 being difficult). For some products, two persons are recommended.

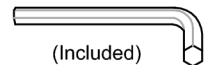
EASY



DIFFICULT

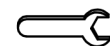
## Tools Required For Assembly:

Allen Wrench



(Included)

Wrench



(Included)



2 PERSONS RECOMMENDED

# ASSEMBLY & CARE ADVICE

FOR YOUR FURNITURE TO LAST, CORRECT ASSEMBLY AND PROPER MAINTENANCE ARE NECESSARY. PLEASE FOLLOW THE INFORMATION PROVIDED BELOW TO FULLY ENJOY YOUR FURNITURE.

## BASIC ASSEMBLY TECHNIQUES



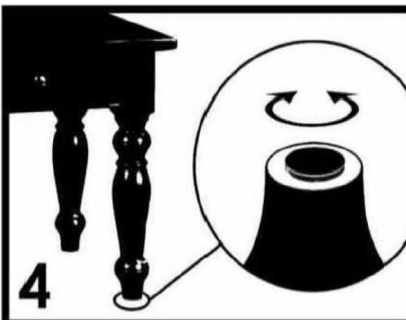
When lock or spring washer is used in an assembly, please make sure the lock or spring washer is placed between the larger flat washer and the head of the screw or bolt.



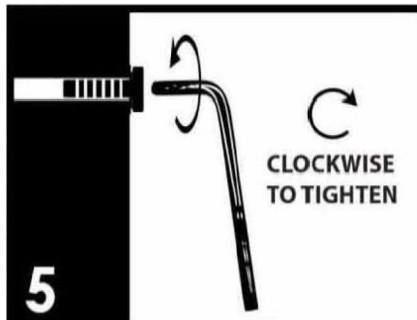
Position each part correctly and insert screws or bolts into their respective holes by hand tighten or using the proper hand tool. Only tighten when step is completed or when instructed to do so.



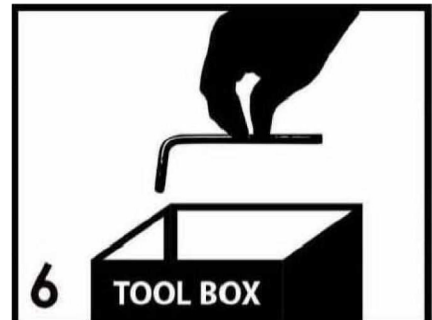
Use cardboard or carpet area when assembling furniture to prevent scratches. Make sure the furniture rests on a flat and level surface with each leg evenly touching the floor.



Some furniture comes with height adjustment knobs underneath each leg. To lower or to raise each leg, you need to turn clockwise or counterclockwise, respectively.



Make sure all parts are properly aligned, then use the appropriate hand tool to completely tighten the bolts or screws. Do not use power tools and do not overtighten.



Save the instructions and store the Allen wrench or any supplied tool for later maintenance. After two weeks, check and tighten any loose hardware and repeat again every six months thereafter.

IT IS THE USER'S RESPONSIBILITY TO MAINTAIN THE FURNITURE. THE HARDWARE MAY LOOSEN OVER TIME AND MAY CAUSE THE FURNITURE TO BE WOBBLY AND UNABLE TO SUPPORT ITS INTENDED WEIGHT CAPACITY. THIS MAY LEAD TO COLLAPSE AND MAY CAUSE SERIOUS INJURY.




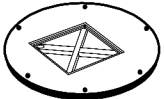
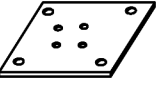
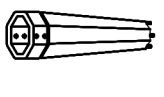
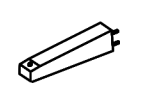
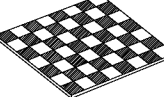
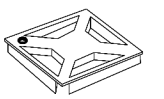
**FAILURE TO FOLLOW THE GUIDELINES ABOVE MAY RESULT IN INJURY AND/OR PROPERTY DAMAGE.**






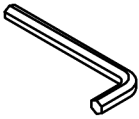

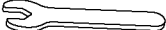


Before you begin, please read Page 2 of "Assembly and Care Advice".

And remember, do not tighten until each step is completed or instructed.

### Parts List

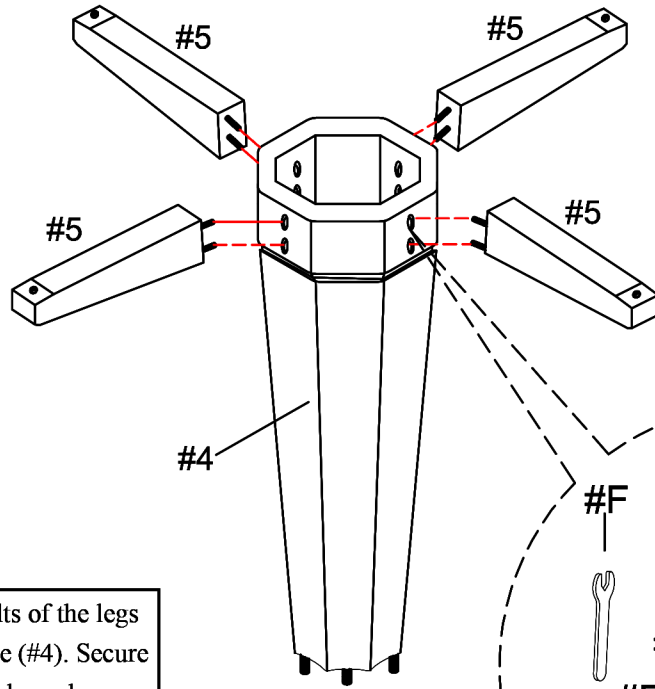
-  #1 x 1pc  
Top Panel
-  #2 x 1pc  
Table Top
-  #3 x 1pc  
Table Top Support panel
-  #4 x 1pc  
Base
-  #5 x 4pcs  
Leg
-  #6 x 1pc  
Checkerboard
-  #7 x 1pc  
Checkerboard Support

### Hardware List

-  #A x 16pcs  
Flat Washer Ø5/16"
-  #B x 16pcs  
Lock Washer Ø5/16"
-  #C x 4pcs  
Bolt Ø5/16" x2-3/4"
-  #D x 1pc  
Allen Wrench M5
-  #E x 12pcs  
Nut Ø5/16"
-  #F x 1pc  
Wrench
-  #G x 6pcs  
Cork Coaster
-  #H x 1pc  
Wood Push Rod



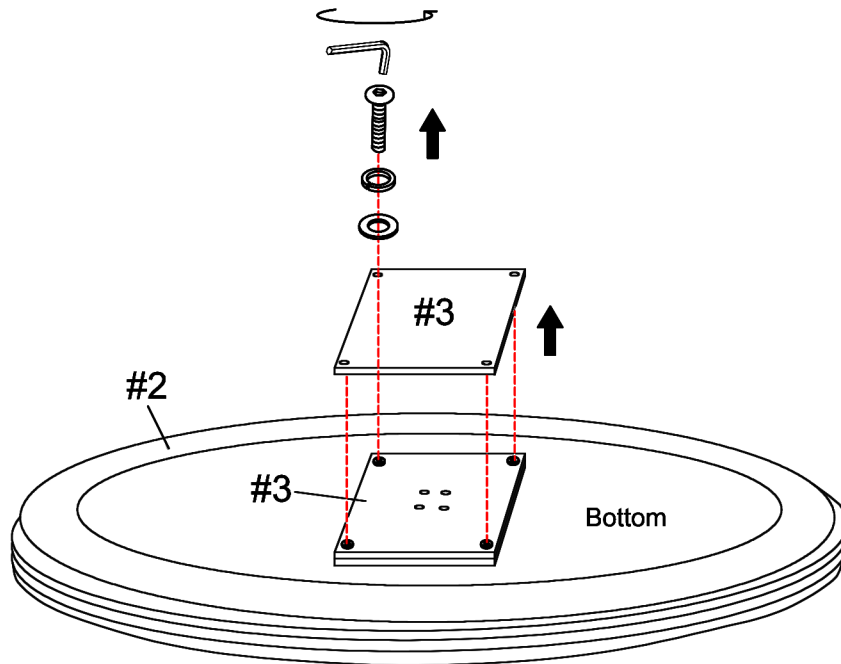
#A x 8pcs  
#B x 8pcs  
#E x 8pcs



Align and insert the threaded bolts of the legs (#5) through the holes of the base (#4). Secure by inserting flat washer (#A), lock washer (#B), then tighten with hex nut (#E).

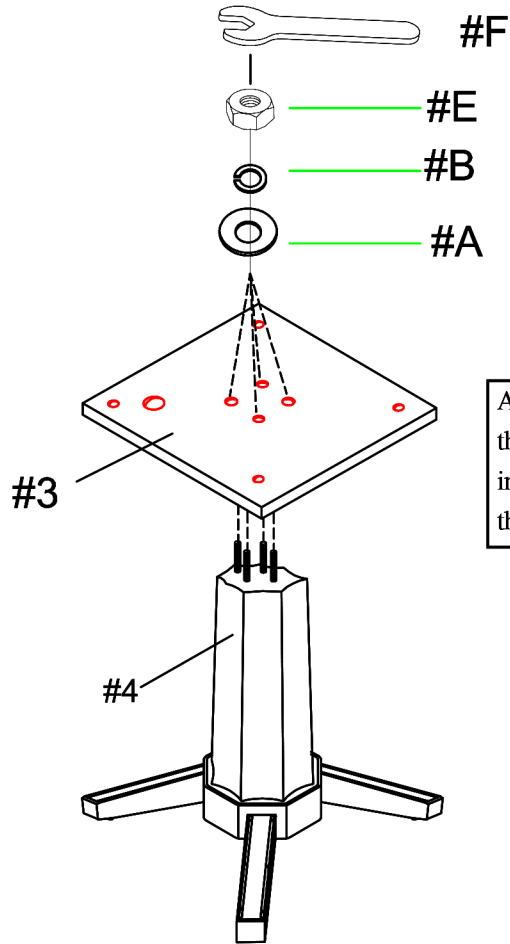


Detach table top support panel (#3) by unscrewing the bolts (#C) from the table top (#2).





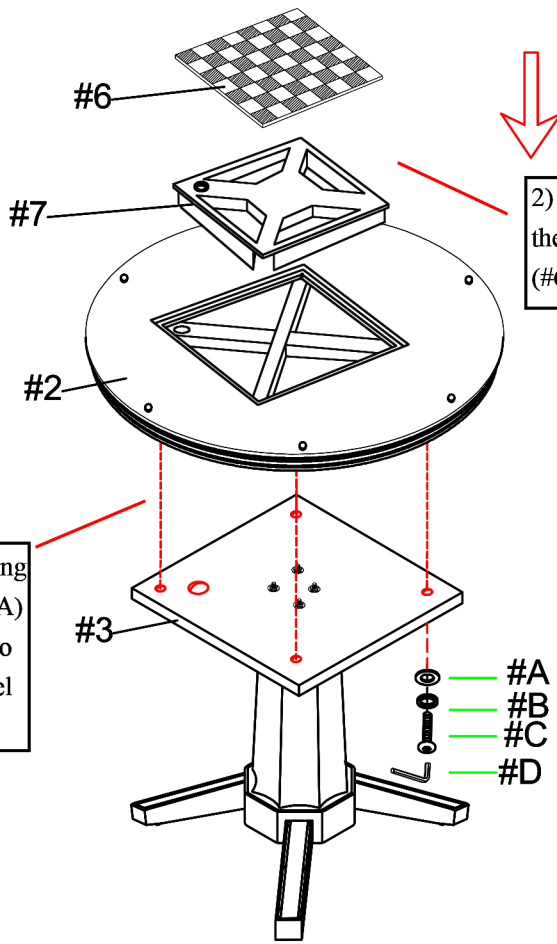
#A x 4pcs  
#B x 4pcs  
#E x 4pcs



Align the table top support panel (#3) to the threaded bolts of the base (#4). Secure by inserting flat washer (#A), lock washer (#B), then tighten with hex nut (#E).



#A x 4pcs  
#B x 4pcs  
#C x 4pcs

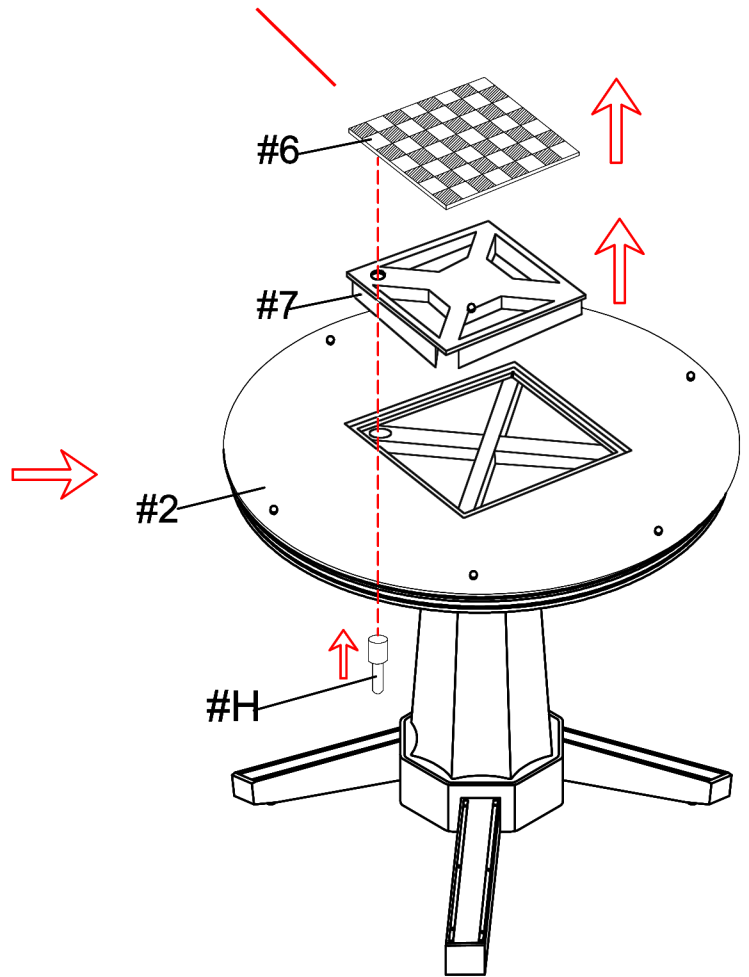
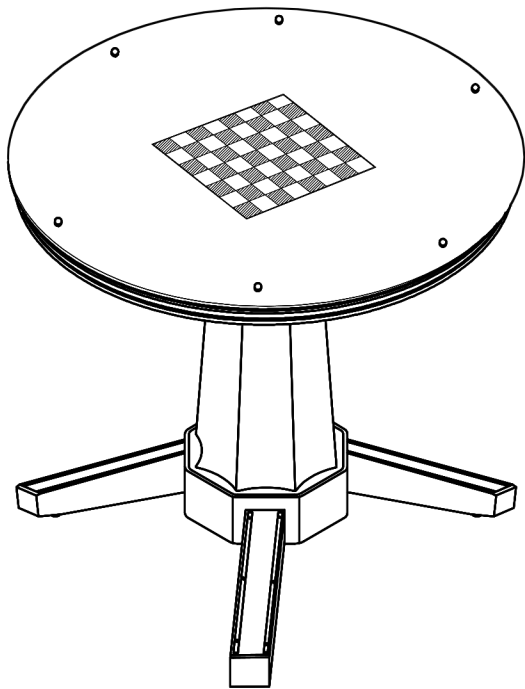


2) Place checkerboard support (#7) to the top of the table top (#2), then place the checkerboard (#6) on top of the checkerboard support (#7).

1) Prepare 4 bolts assembly by inserting lock washer (#B), then flat washer (#A) onto bolts (#C). Align table top (#2) to the holes of the table top support panel (#3), then secure with bolts (#C).



Use the wood push rod (#H) to detach checkerboard support (#7) and checkerboard (#6).

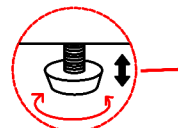
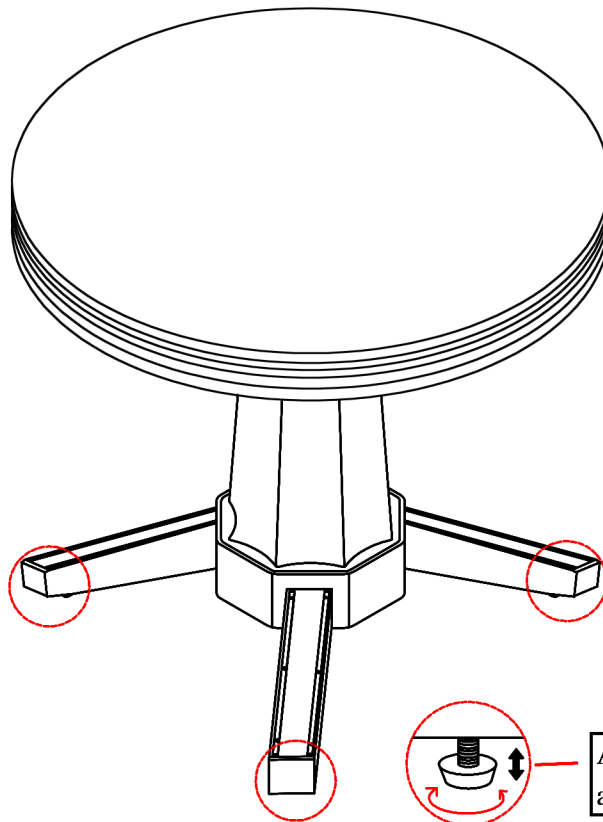
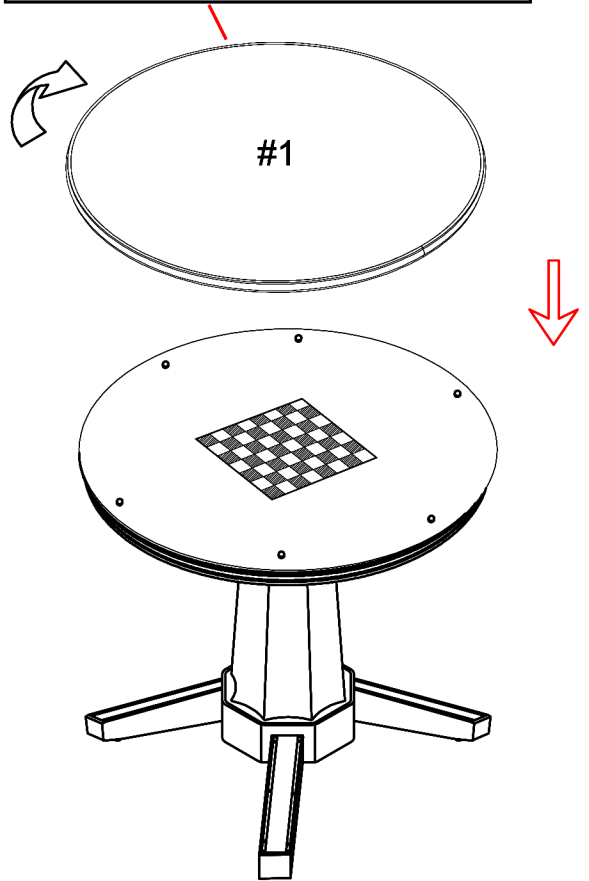
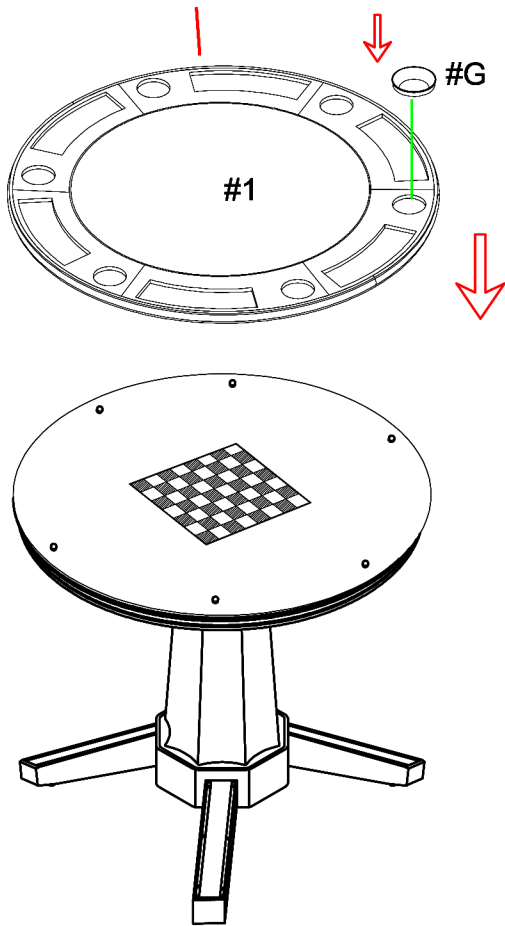




1) Place cork coasters (#G) onto the top panel (#1).

2) You can flip the top panel (#1) to use the flat surface of the top panel (#1).

#G x 6pcs



Adjust the adjustable floor protectors according to ground level.

Adjust Level