

CARE AND MAINTENANCE

Store outdoor furniture indoors or cover well when not in use.

Remove wooden furniture from standing water. Dust regularly with small brush or vacuum

Spills should be taken care of immediately before they harden or stain with a slightly dampened sponge.

NOTICE

- * Please make sure that you have all parts indicated before you begin assembly of this item
- * This item should be assembled on a soft surface to prevent scratching the finish during assembly
- * This item may require periodic tightening

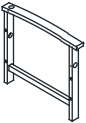

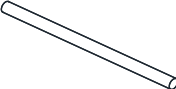

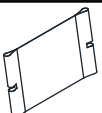
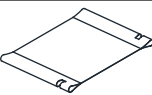



Weight Capacity : 600 Ibs

Warning : Do not stand on chair

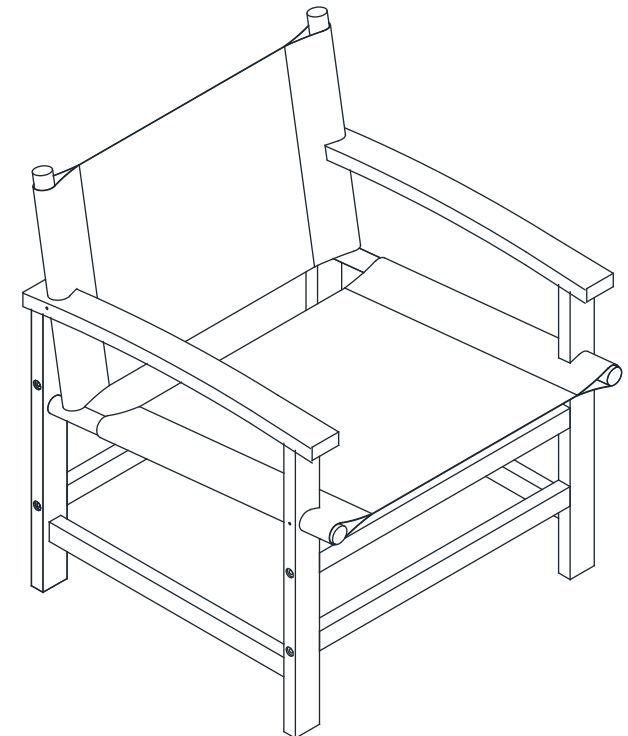
Warning : Do not over torque bolts / screws



Part List and Hardware List

PIECE	DESCRIPTION	PICTURE	QUANTITY
A	Frame back		2X
B	Tie leg		4X
C	Anti-sitting		2X
D	Anti-title		2X
E	Cloth		1X
F	Fabric Sitting		1X
H	Screw	 M7x90	8X
I	Screw	 M4x20	4X
J	Allen key	 LG5	1X

Product Dimensions: 24.4" W x 24.8" D x 28.74" H



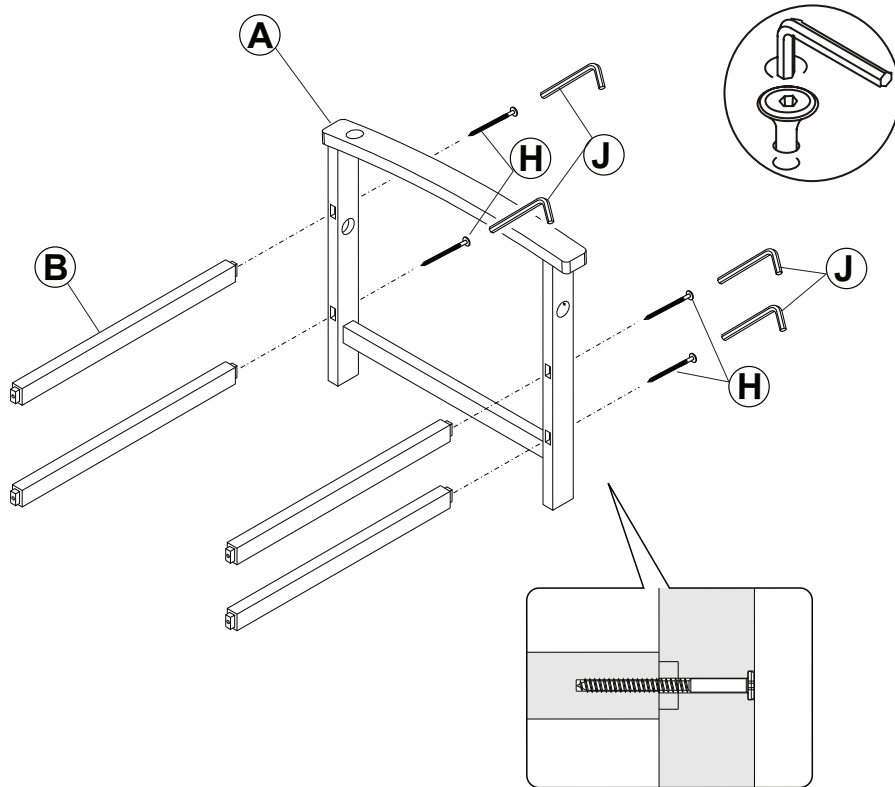
PREPARATION

Before beginning assembly of product, make sure all parts are present. Compare parts with package contents list and hardware contents list. If any part is missing or damaged, do not attempt to assemble the product.

Estimated Assembly Time: 10 minutes.

Tools Required for Assembly (included): Allen Key

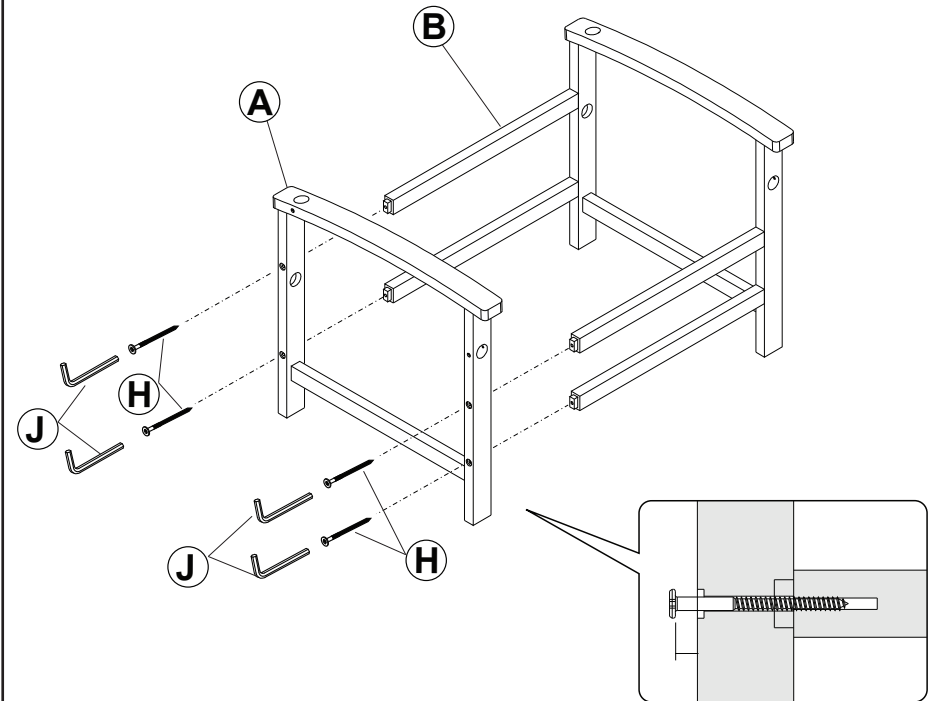
1



Step 1

Attach Tie leg (B) to Frame back (A) ,use Screw (H) tighten with allen key (J).

2



Step 2

Attach Tie leg (B) to Frame back (A) ,use Screw (H) tighten with allen key (J).

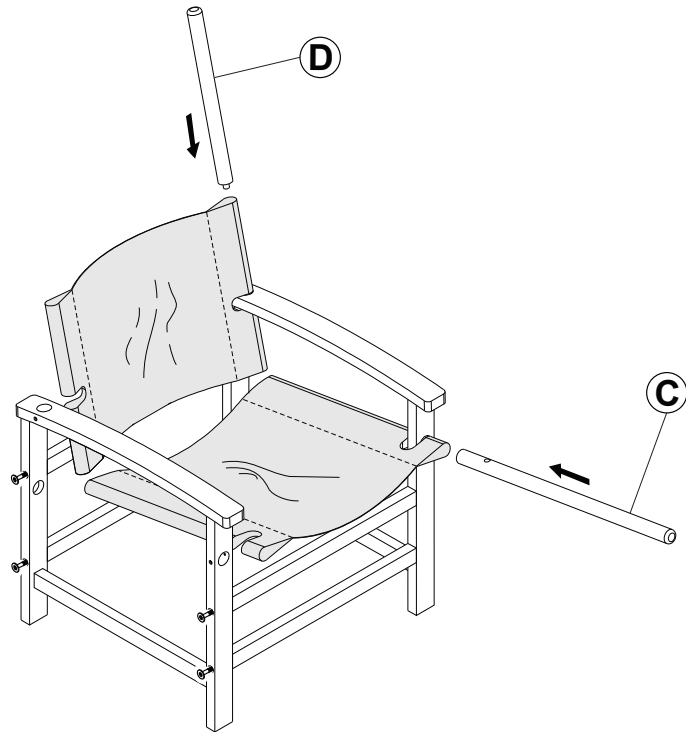
PREPARATION

Before beginning assembly of product, make sure all parts are present. Compare parts with package contents list and hardware contents list. If any part is missing or damaged, do not attempt to assemble the product.

Estimated Assembly Time: 10 minutes.

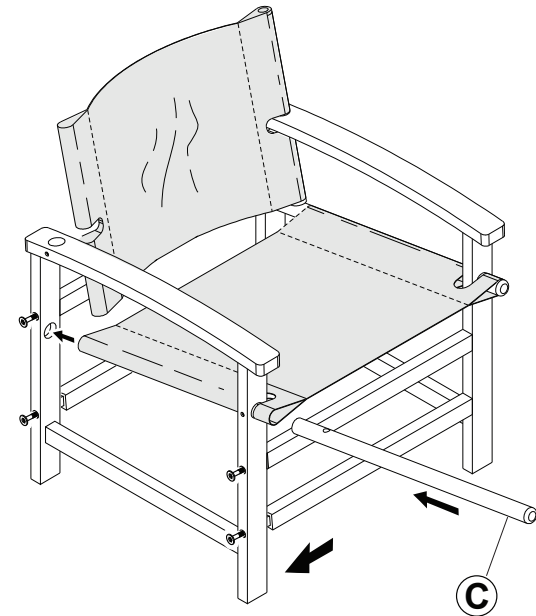
Tools Required for Assembly (included): Allen Key

3



Step 3
Follow the instructions.

4



Step 3
Follow the instructions.

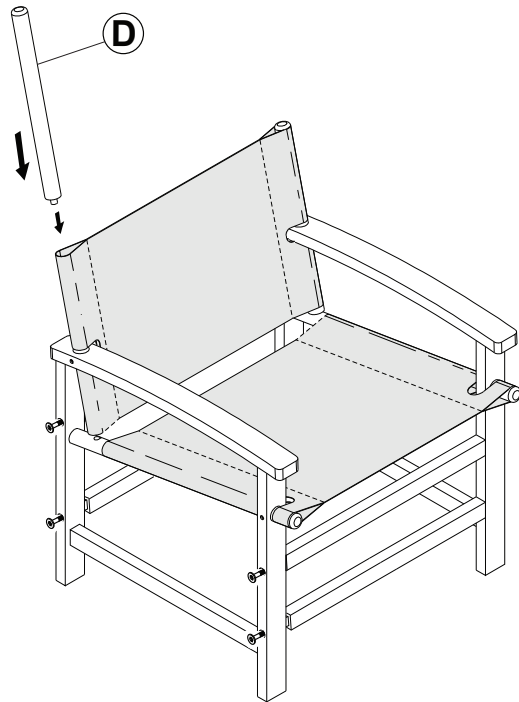
PREPARATION

Before beginning assembly of product, make sure all parts are present. Compare parts with package contents list and hardware contents list. If any part is missing or damaged, do not attempt to assemble the product.

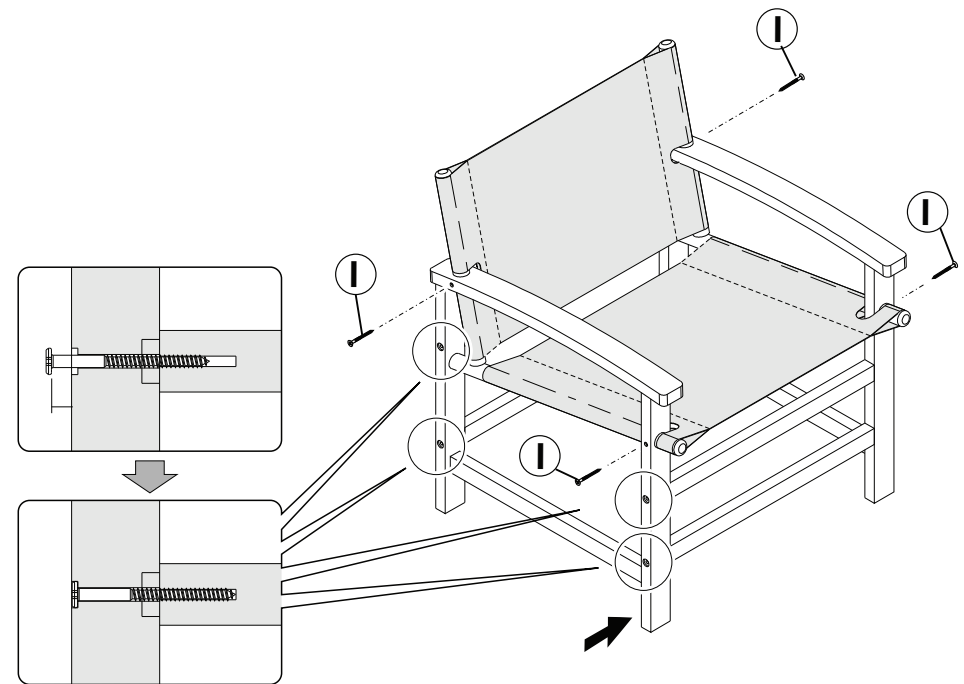
Estimated Assembly Time: 10 minutes.

Tools Required for Assembly (included): Allen Key

5



6



Step 5
Follow the instructions.

Step 6
Use Screw (I) to tighten with bake and use Screw (H) tighten with allen key (J).