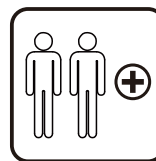
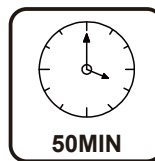
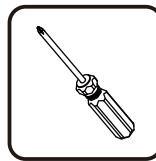
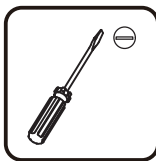
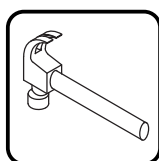
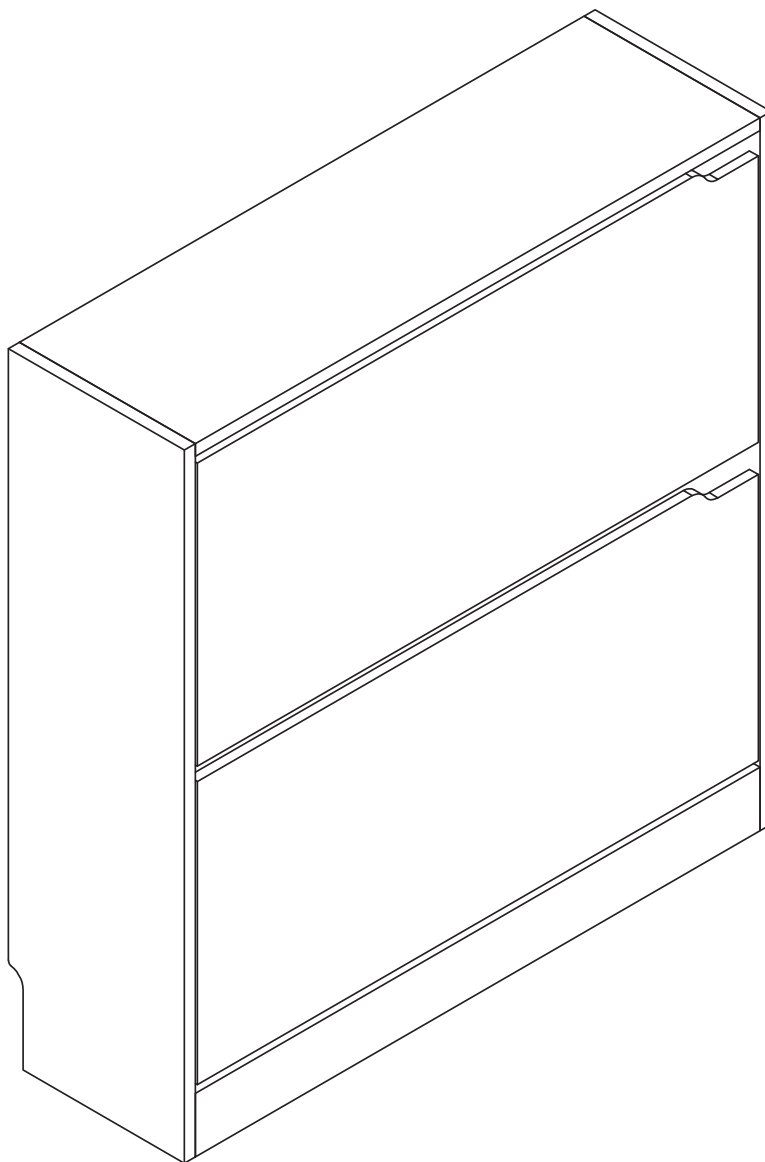
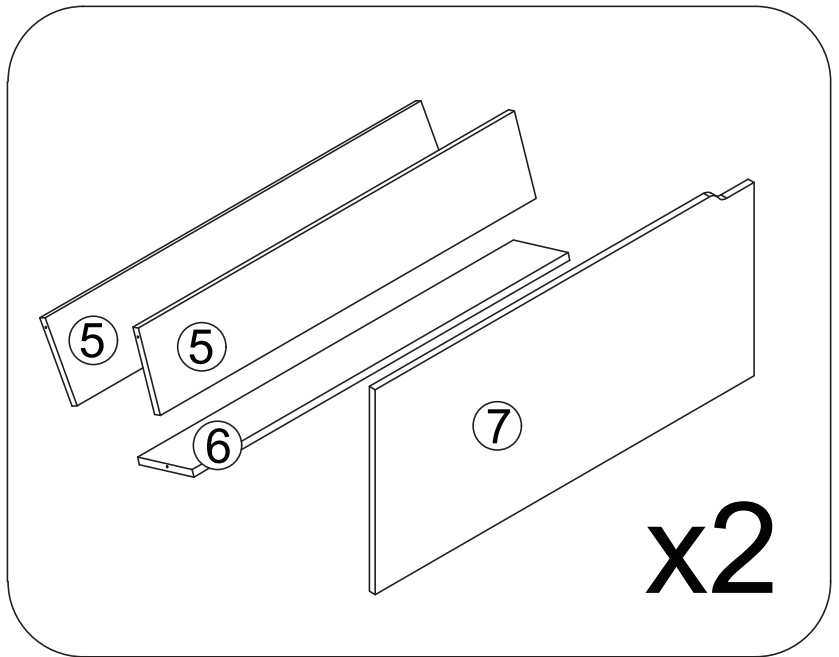
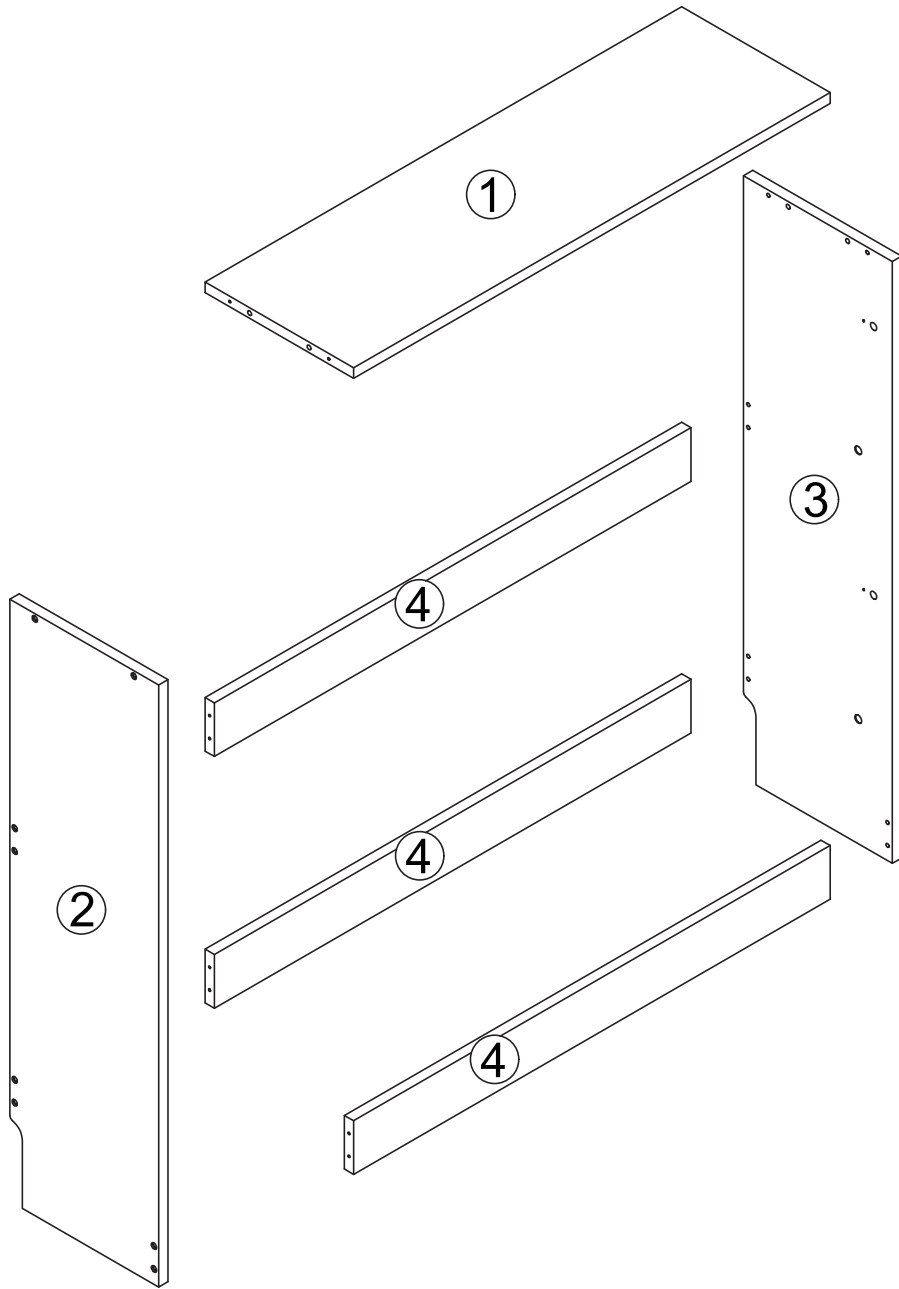


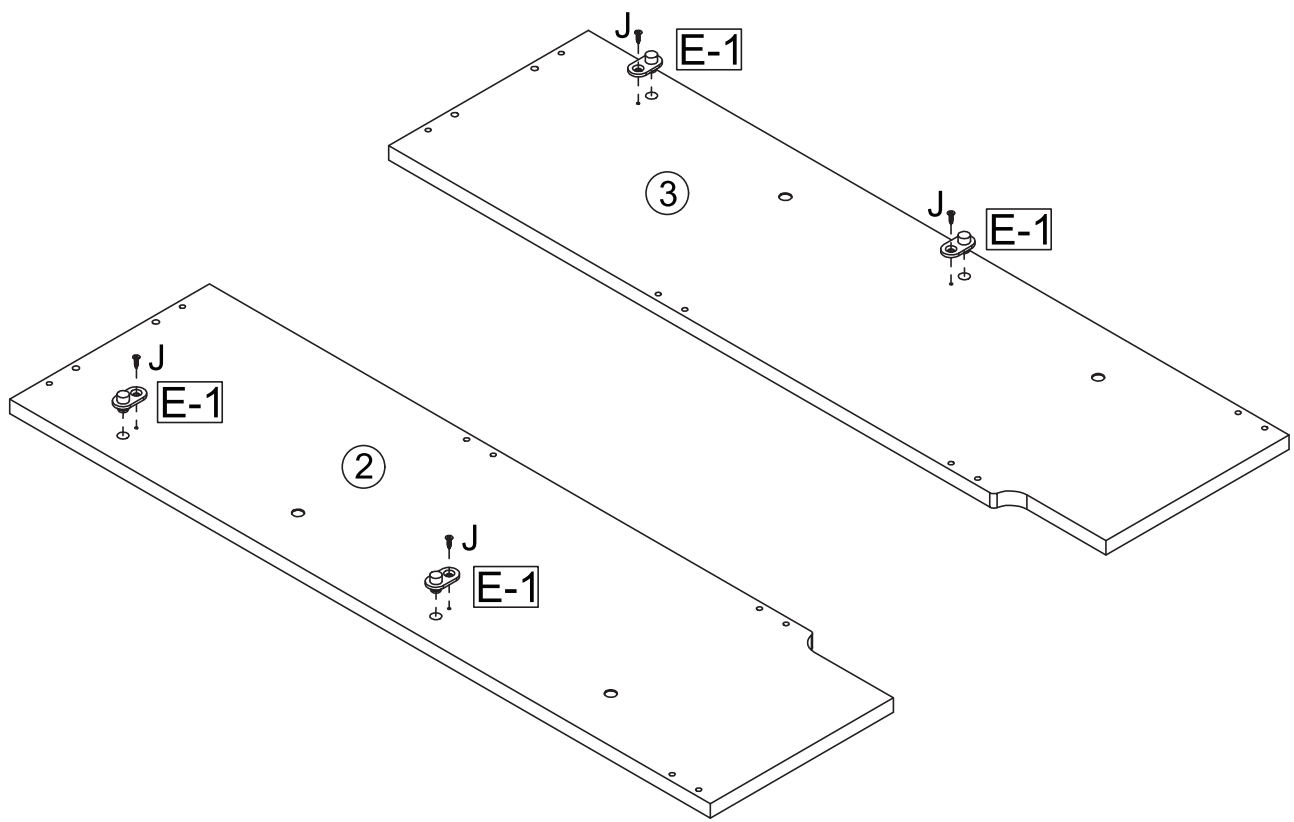
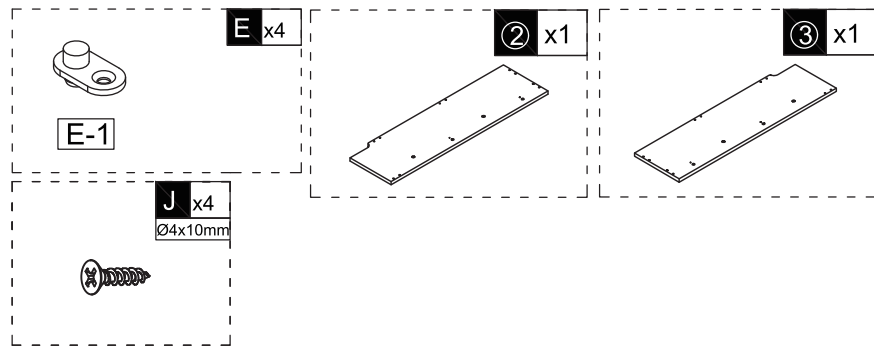
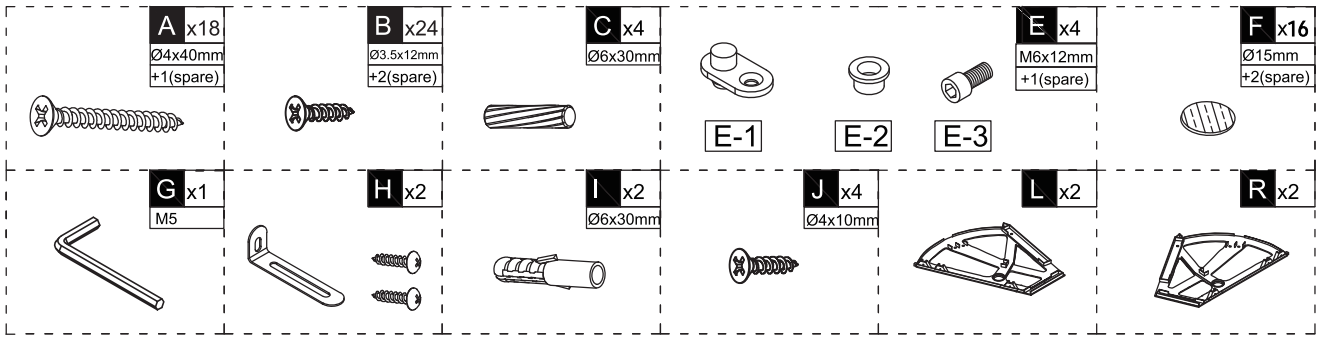
# Installation & Assembly

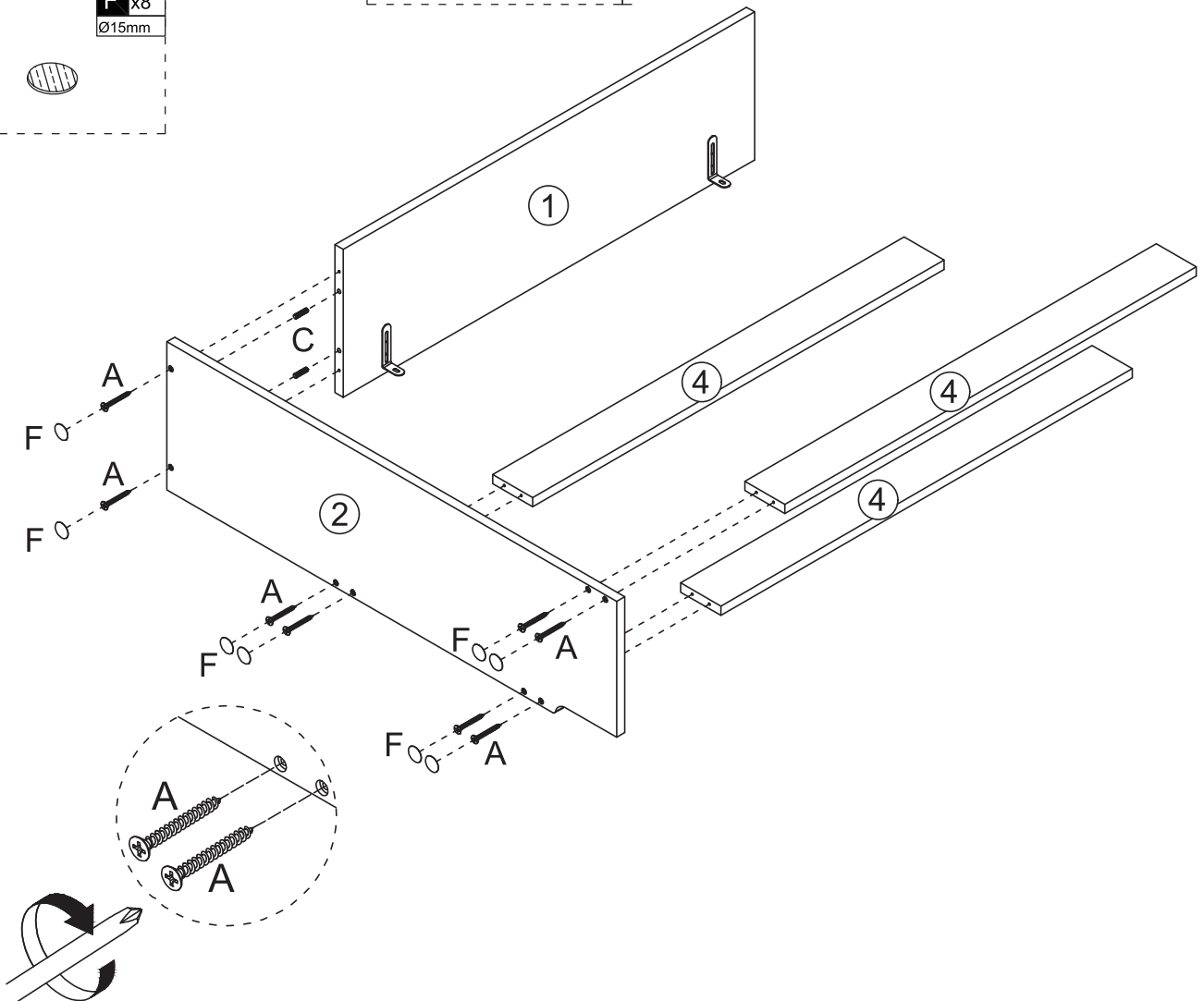
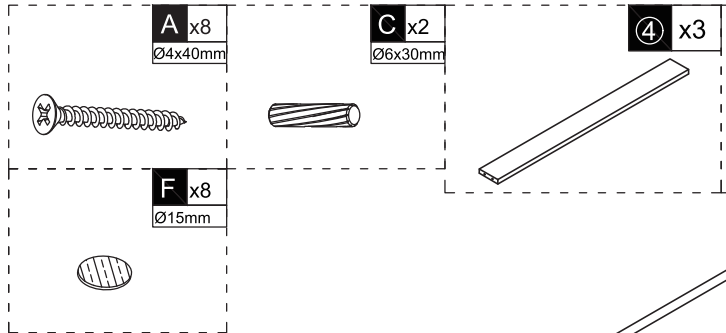
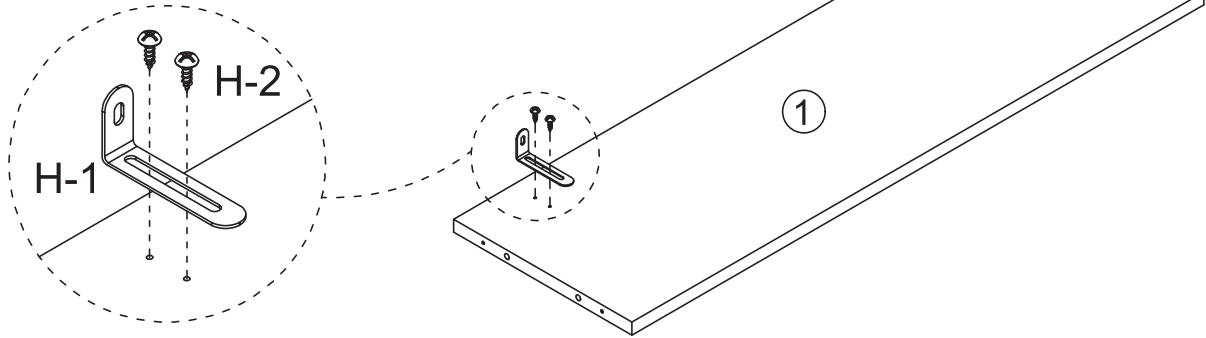
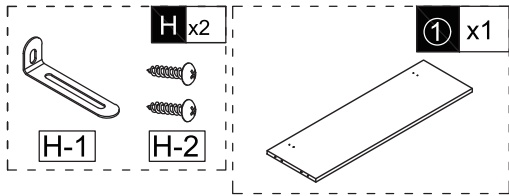


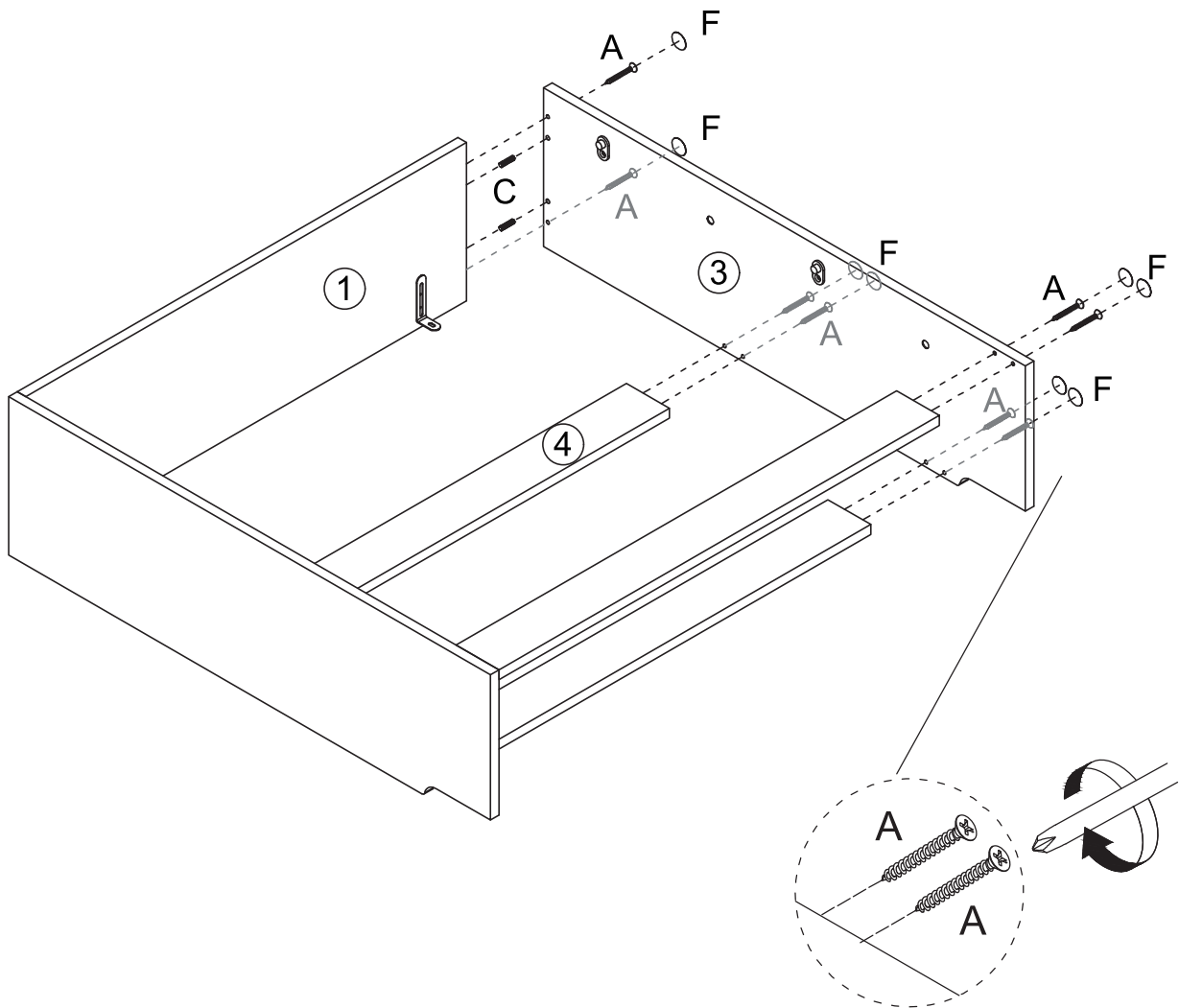
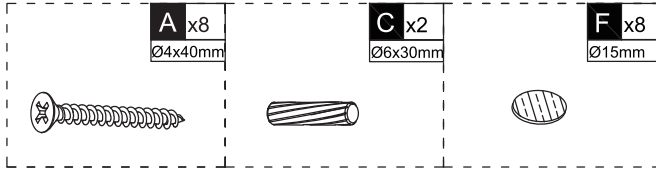
**EN\_IMPORTANT, RETAIN FOR FUTURE REFERENCE: READ CAREFULLY.**







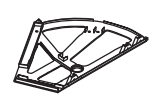
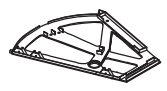




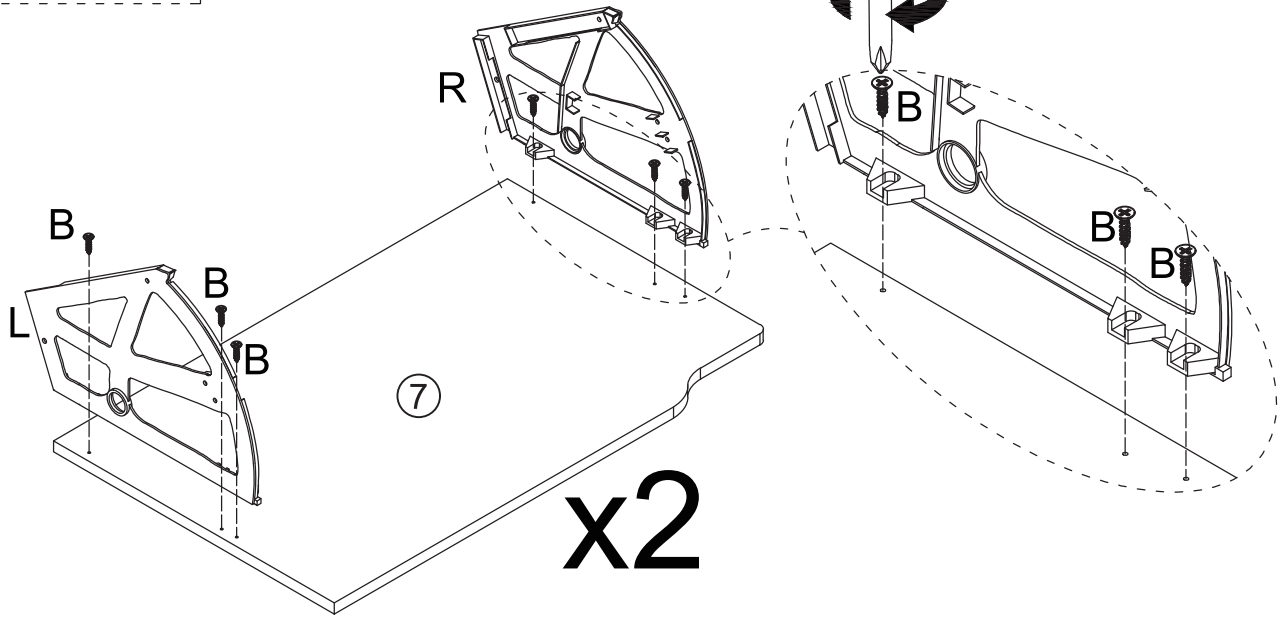
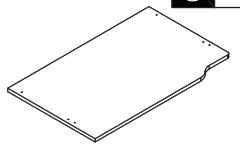
B x12  
Ø3.5x12mm

L x2

R x2



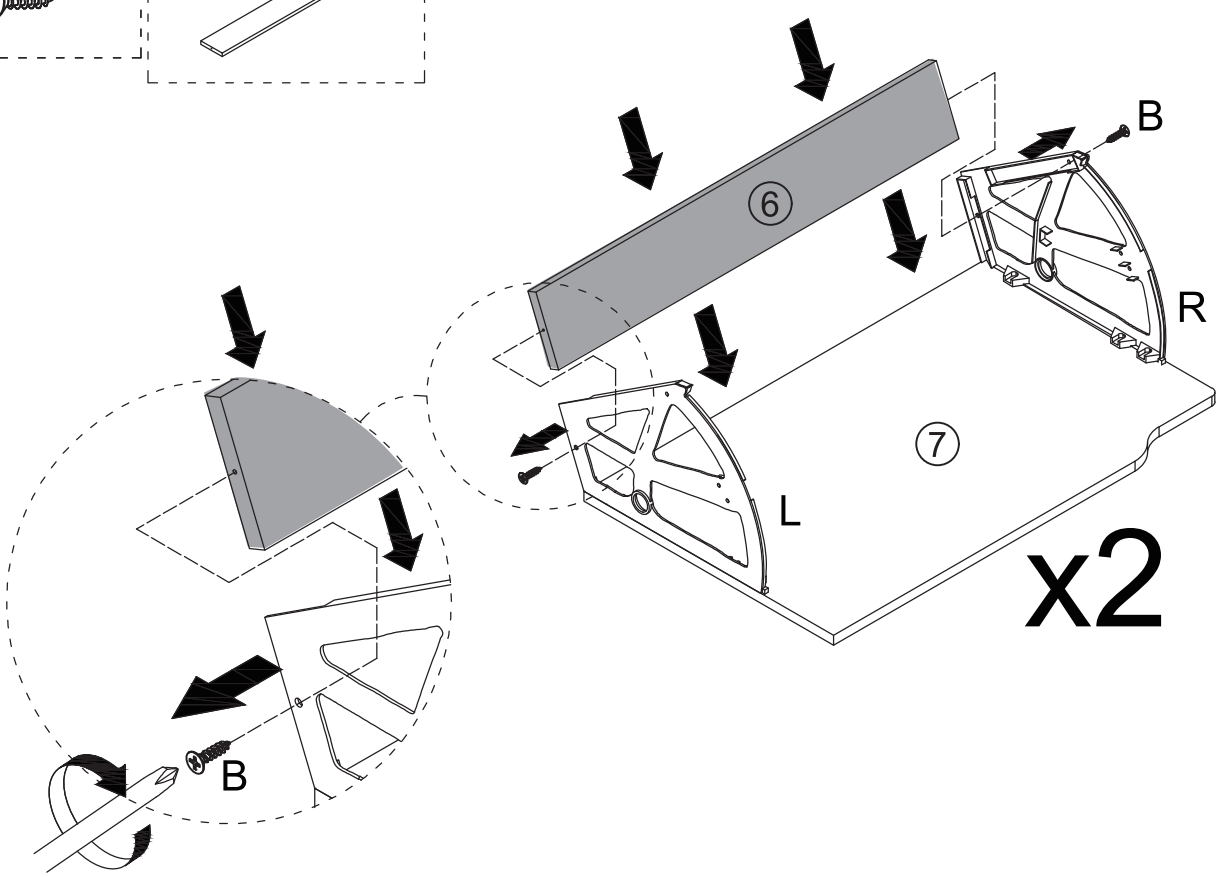
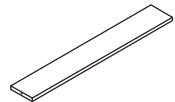
⑦ x2



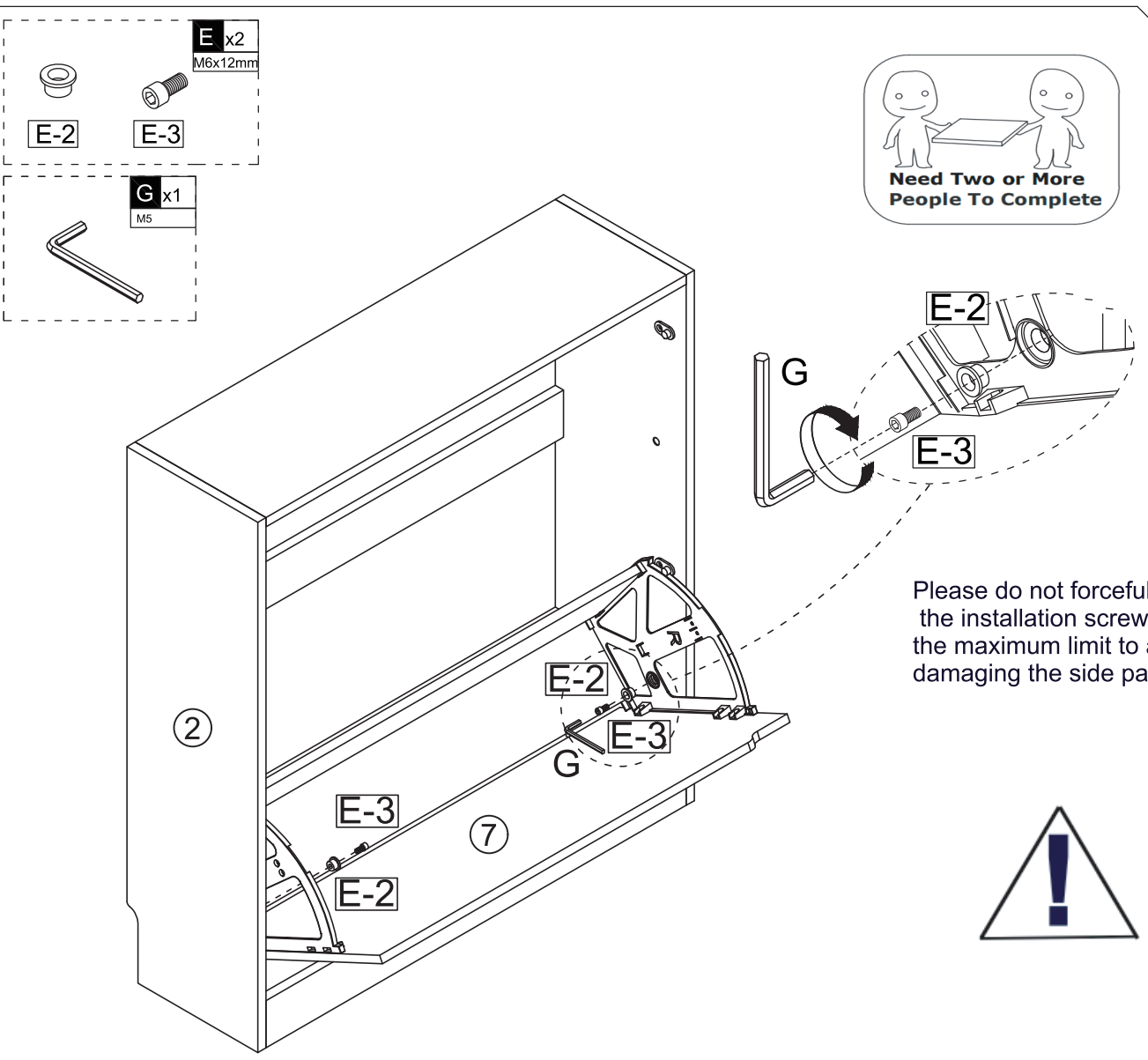
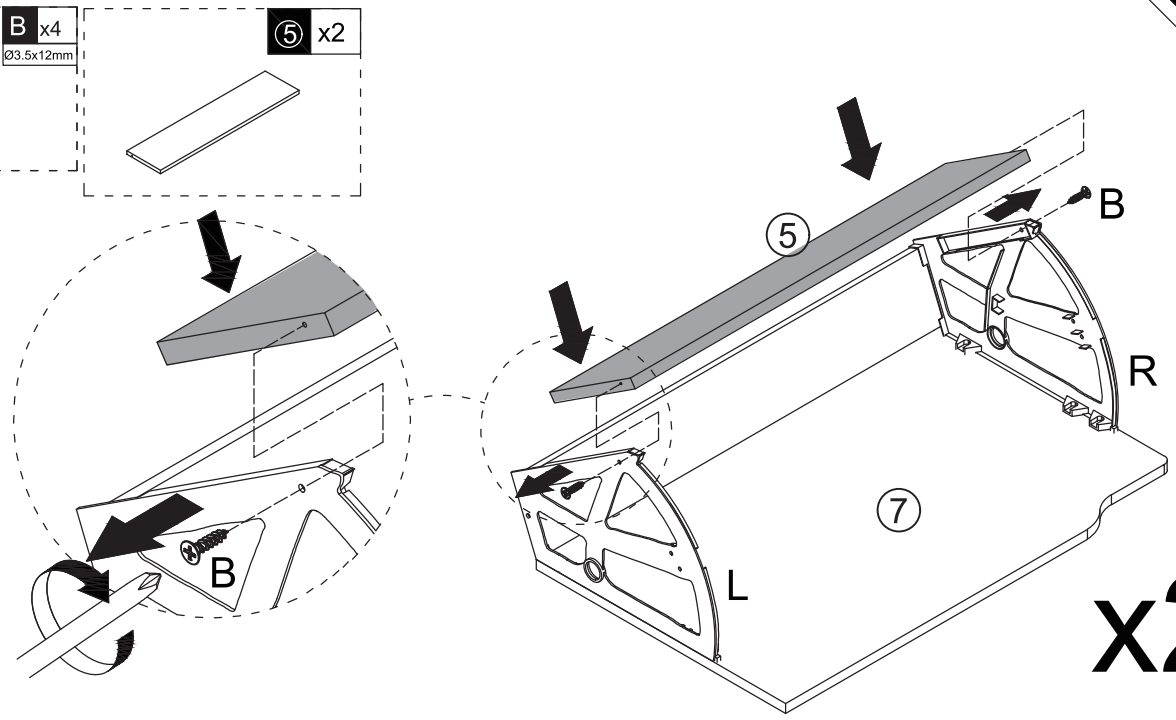
x2

B x4  
Ø3.5x12mm

⑥ x2

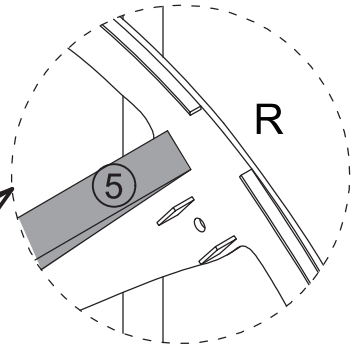
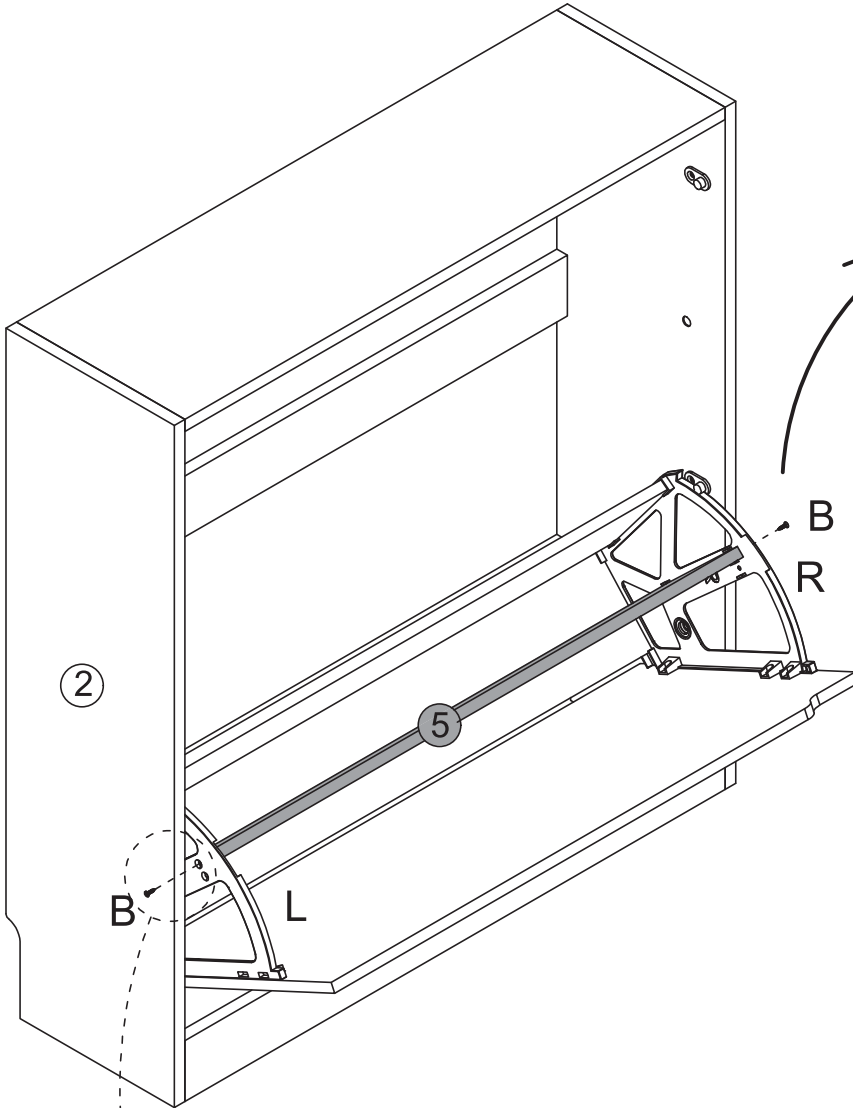
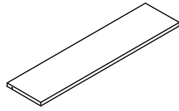


x2

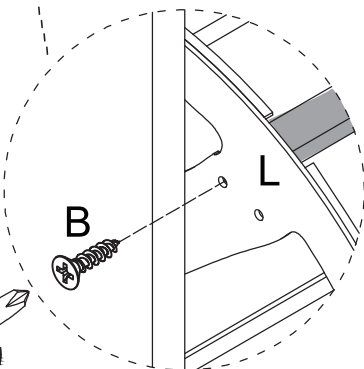
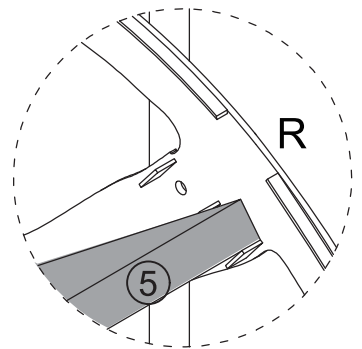


B x2  
Ø3.5x12mm

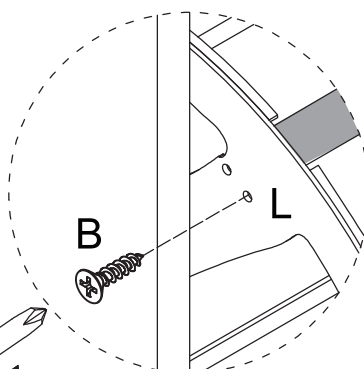
5 x1

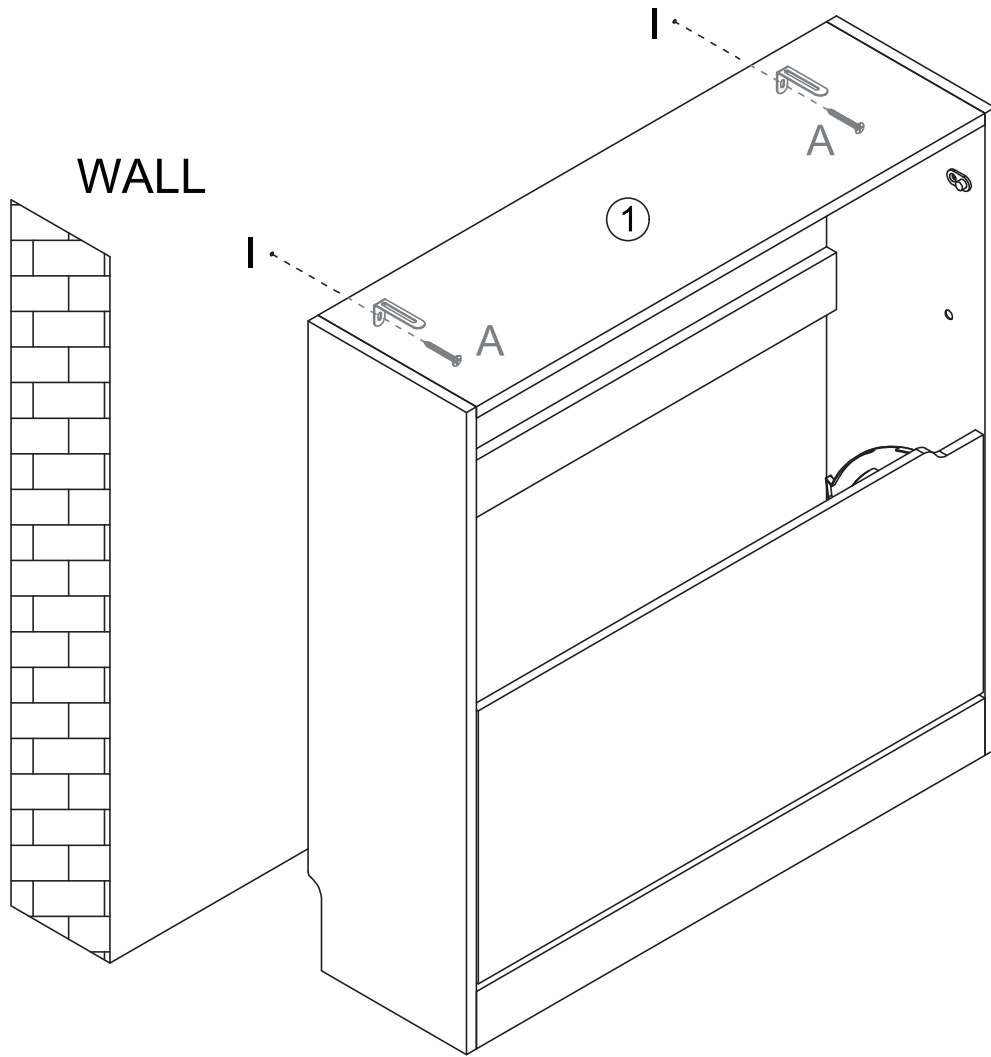
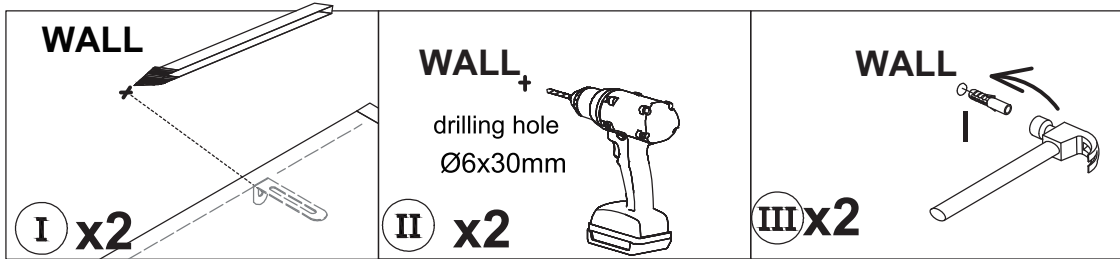
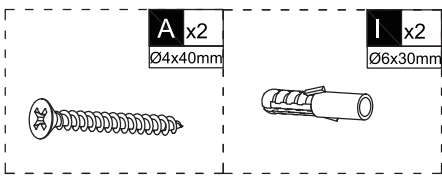


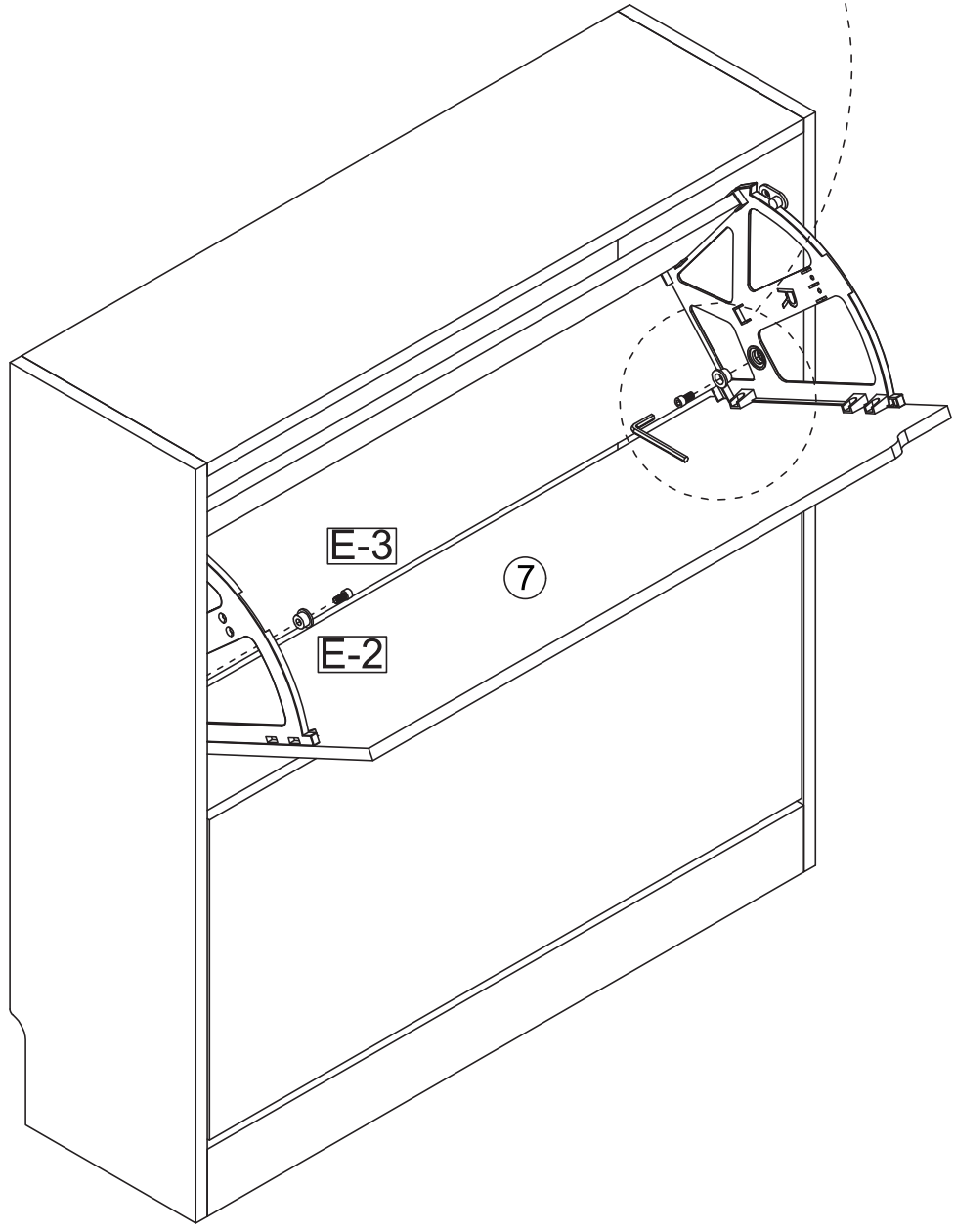
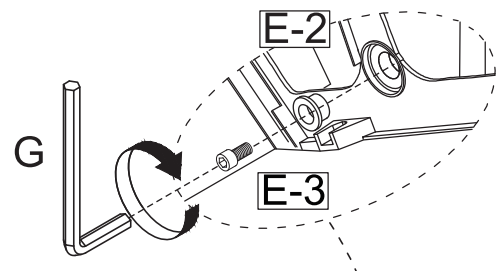
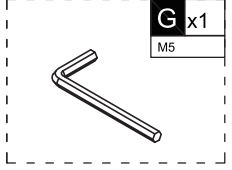
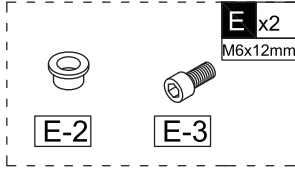
OR



OR

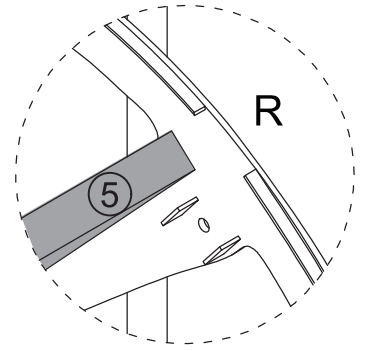
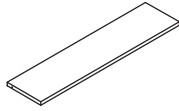




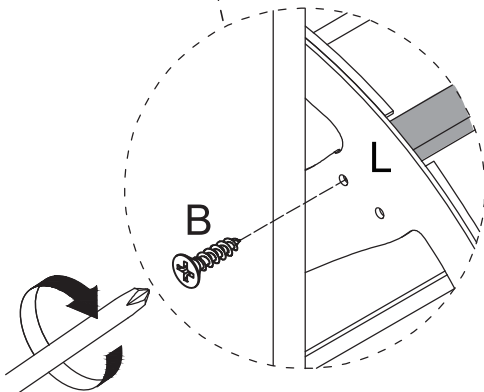
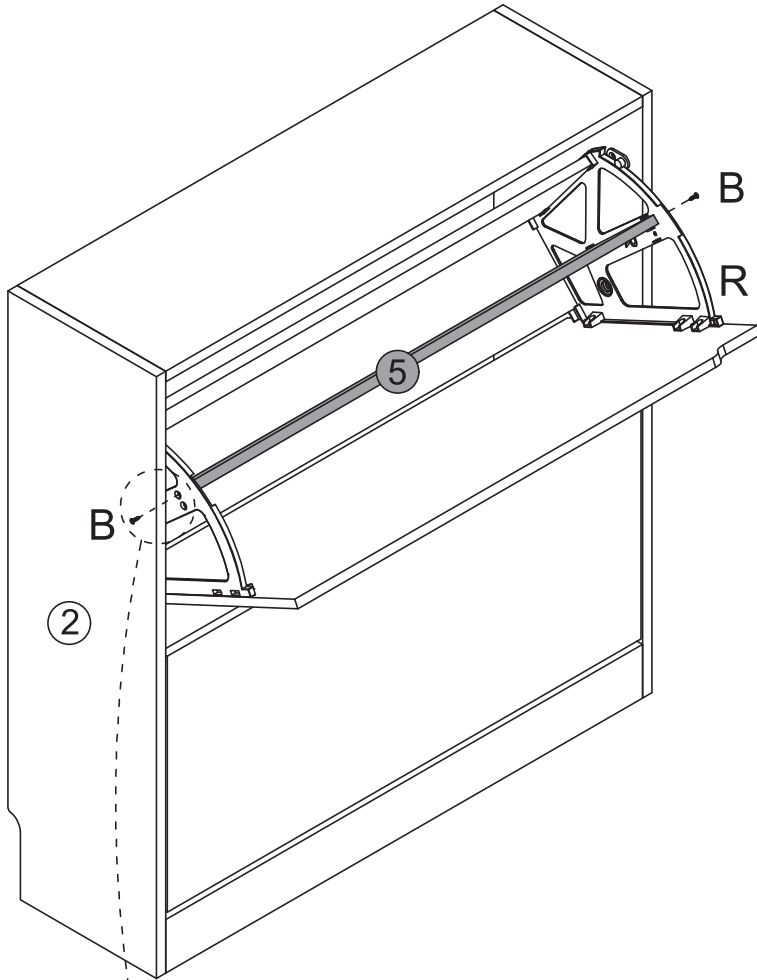
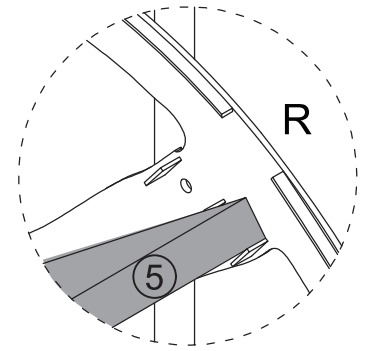


B x2  
Ø3.5x12mm

5 x1



OR



OR

