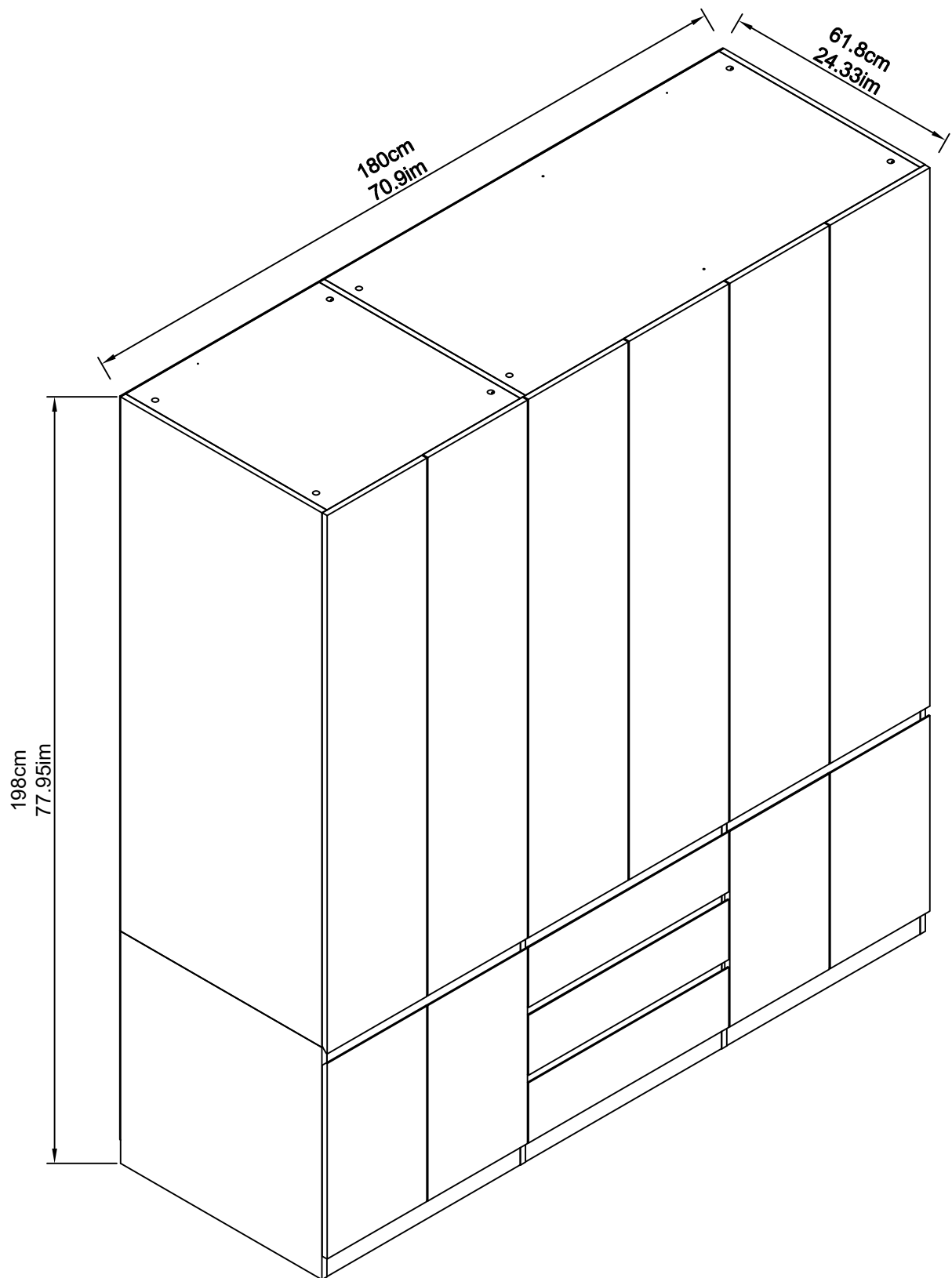


Wardrobe



IMPORTANT INFORMATION!

• please read the entire manual before starting to assemble and/or using this product. follow the manual thoroughly and keep it for further reference.

AVOID SCRATCHES!

• In order to avoid scratching this furniture should be assembled on a soft layer-could be a rug.

IMPROVE EFFICIENCY !

• Try to find a partner to install with you, which can speed up the installation efficiency and shorten the time.

IMPORTANT !

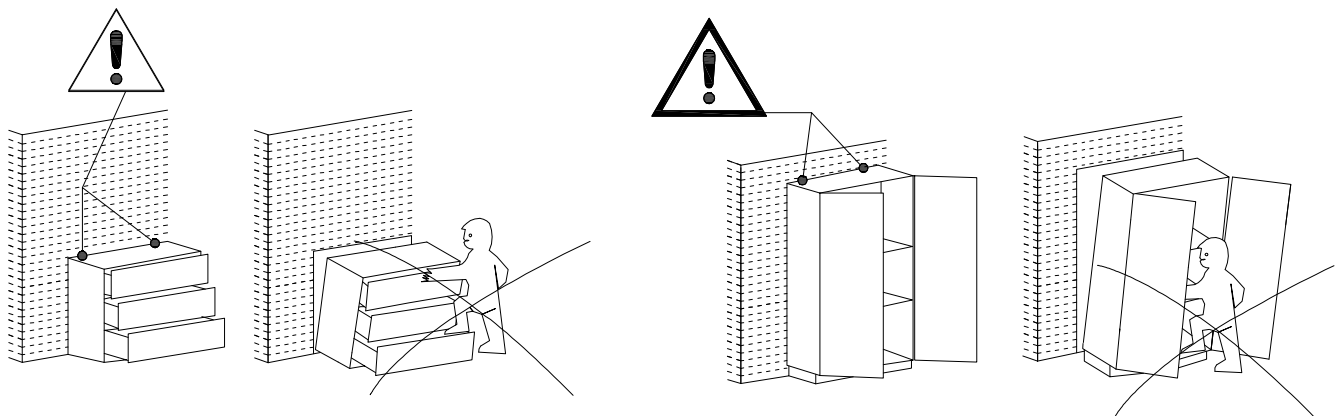
• It is important that any product which is assembled using any kind of screw is re-tightened 2 weeks after assembly, and once every 3 months - in order to assure stability through-out the lifespan of the product.

• For regular maintenance and cleaning of the product, for the frame, please use a rag dipped in neutral detergent to fully wipe it, and then dry it with a clean rag. For glass materials, wipe with a rag dampened with water glass cleaner, and then dry with a dry rag.

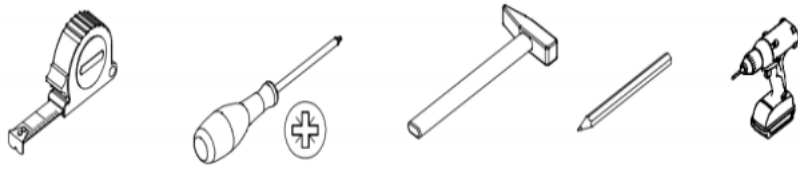
• Do not use an electric screwdriver, and do not use too much force when installing, because the board is easy to break.

ANTI-TOPPLE WARNING !

Overturned furniture can cause serious or fatal crush injuries. To prevent tipping over, be sure to use the wall attachment, if not included with this product. Please purchase the wall attachment that fit your wall. If unsure, seek professional advice. Please read and follow each step of the instructions carefully.



Please prepare the following tools



Installation Notes:

The furniture is large and heavy, please choose a good placement before installation. After all the installation is completed, try not to move widely, if necessary, please more than one person to cooperate to carry out.

Please note: After the overall installation is completed, such as vigorous dragging, or brute force to help carry, may cause irreversible damage to the object connection position or plate, the occurrence of cracks, affecting the use and appearance.

The assembly must be done by two people.

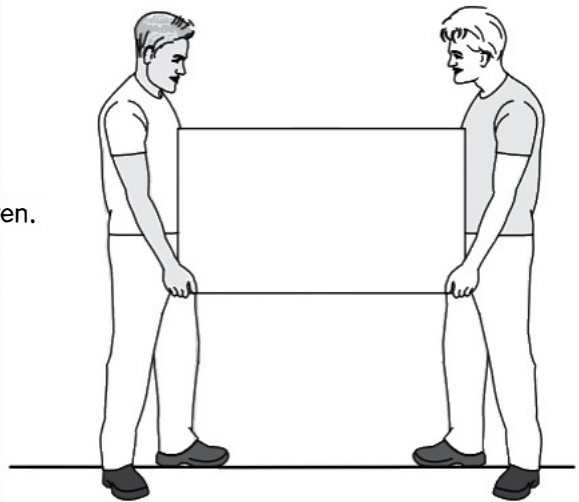
L'assemblage doit être effectué par deux personnes.

Es wird empfohlen, dass zwei Personen den Artikel montieren.

El montaje debe ser efectuado por dos personas.

A montagem deve ser efetuada por duas pessoas.

Il montaggio deve essere effettuato da due persone.



This product contain small parts, please, keep out of reach of children.

Ce produit contient de petites pièces, s'il vous plait, à conserver hors de portée des enfants.

Bitte halten Sie kleine Teile außerhalb der Reichweite von Kindern.

Este producto contiene piezas pequeñas, mantener fuera del alcance de los niños.

Este produto contém peças pequenas, por favor, mantenha fora do alcance das crianças.

Questo prodotto contiene piccole parti, si prega di tenerle fuori dalla portata dei bambini.

In case of doubt, compare the hardware with the full-size images below.

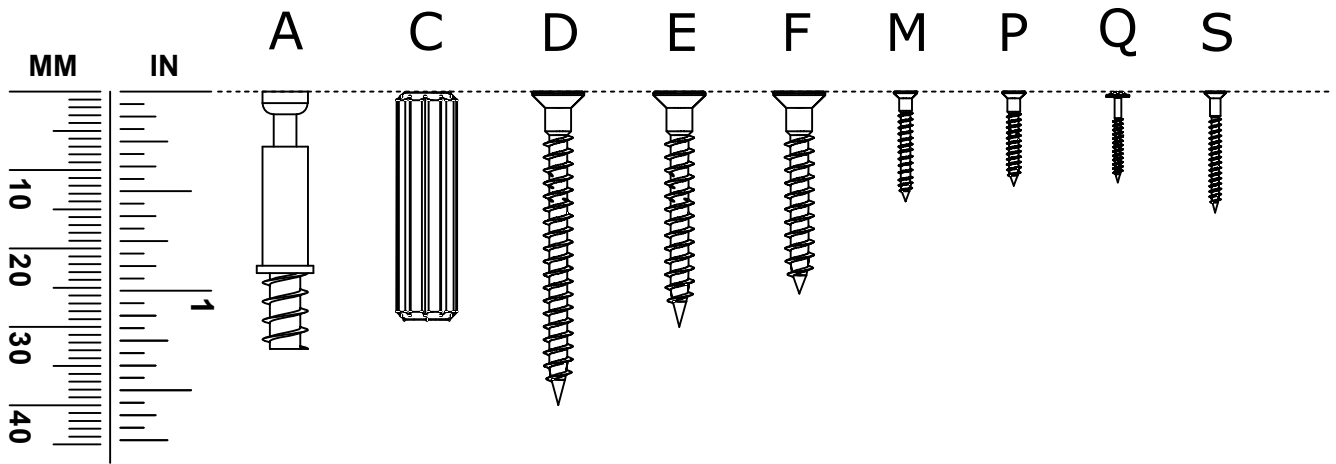
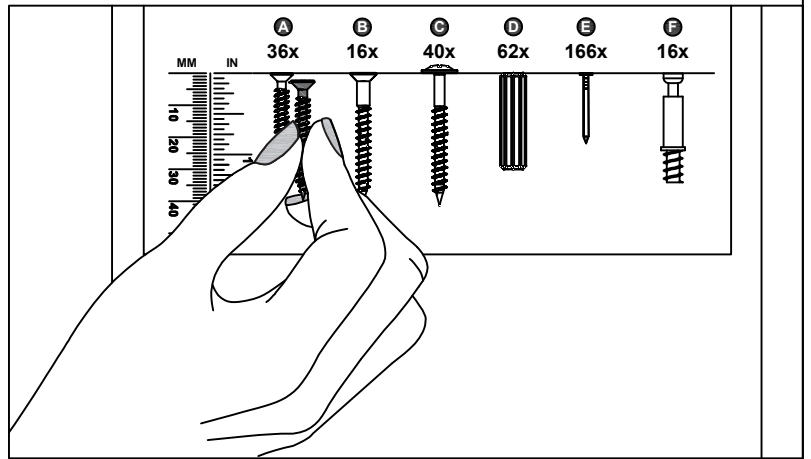
En cas de doute, veuillez comparer le matériel avec les images en taille réelle ci-dessous.

Vergleichen Sie im Zweifelsfall die Schrauben mit den Abbildungen in Originalgröße.

En caso de dudas, compare las herrajes con las imágenes a seguir en tamaño real.

Em caso de dúvida, compare as ferragens com as imagens abaixo em tamanho real.

In caso di dubbio, confronta le ferramenta con le immagini sottostanti a grandezza reale.



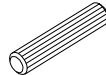
A x 90



B x 90



C x 64



D x 14



E x 12



F x 12



G x 10



H x 16



J x 4



K x 1



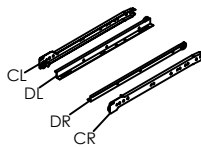
L x 1



M x 164



N x 3



P x 24



Q x 63



R x 15

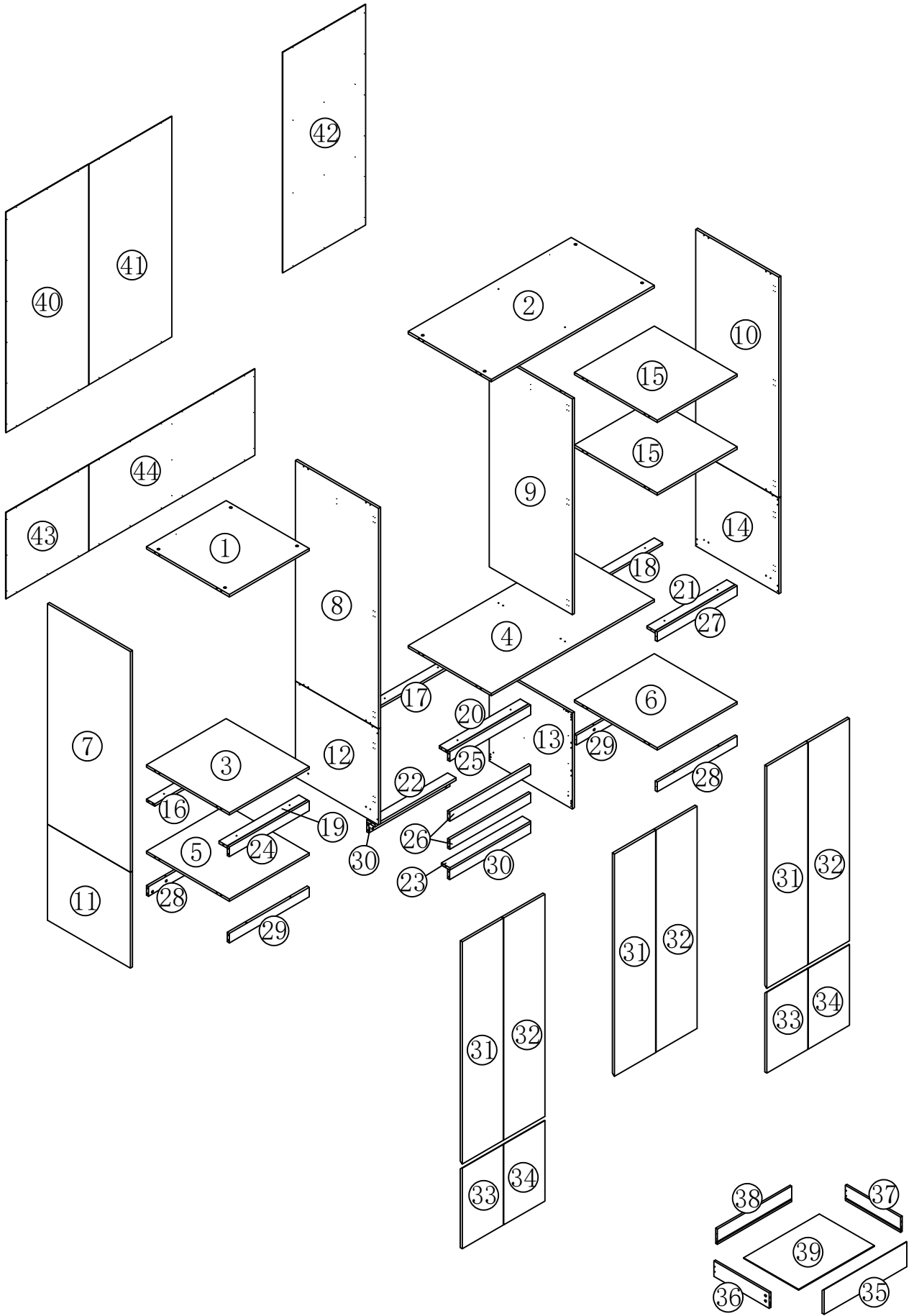


S x 15



T x 2





x3

5

ATTENTION - AVERTISSEMENT - ACHTUNG - ATENCIÓN - ATENÇÃO - ATTENZIONE

Assemble the furniture on a clean and flat surface and cover it with the cardboard of the packaging.

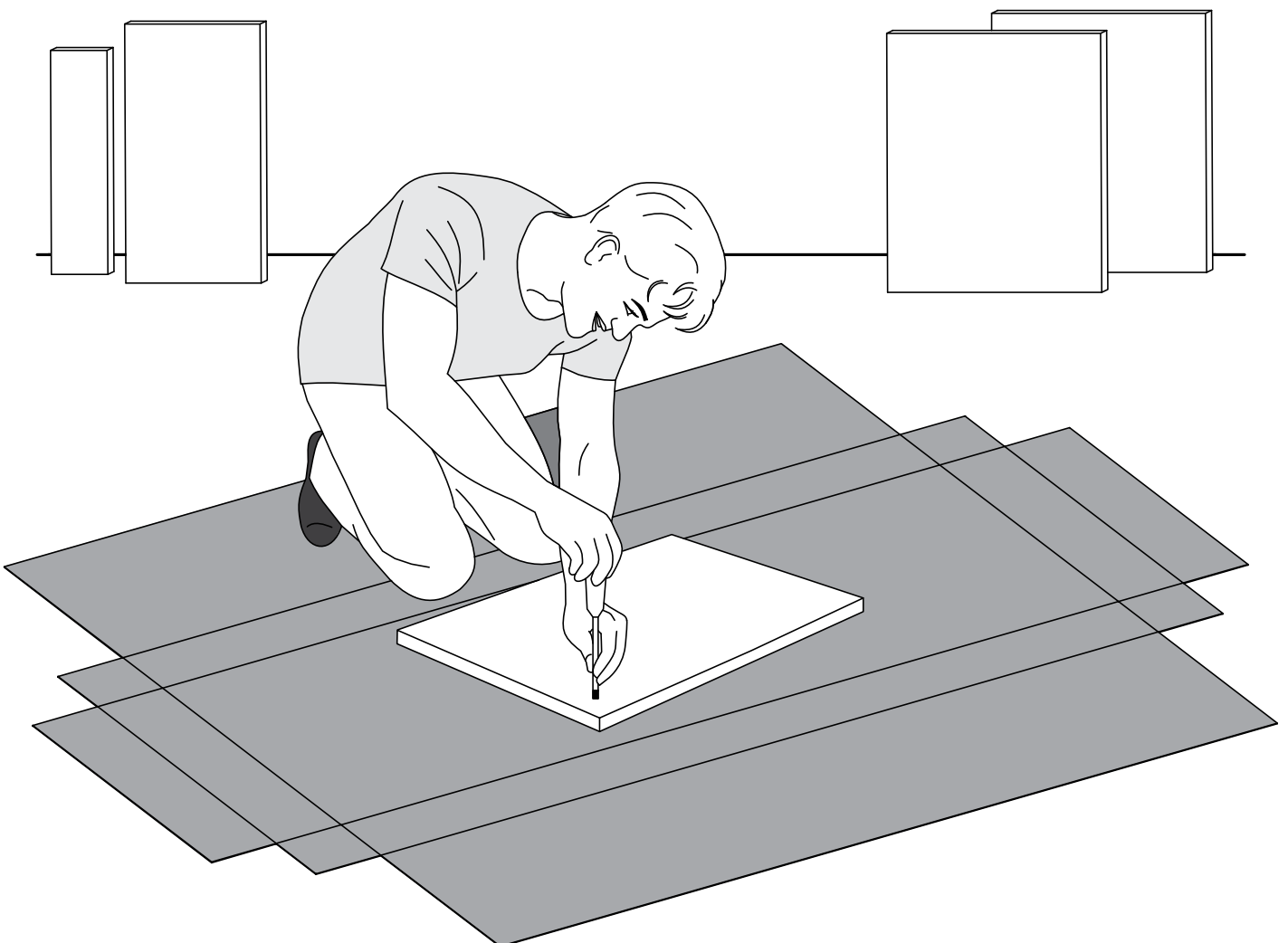
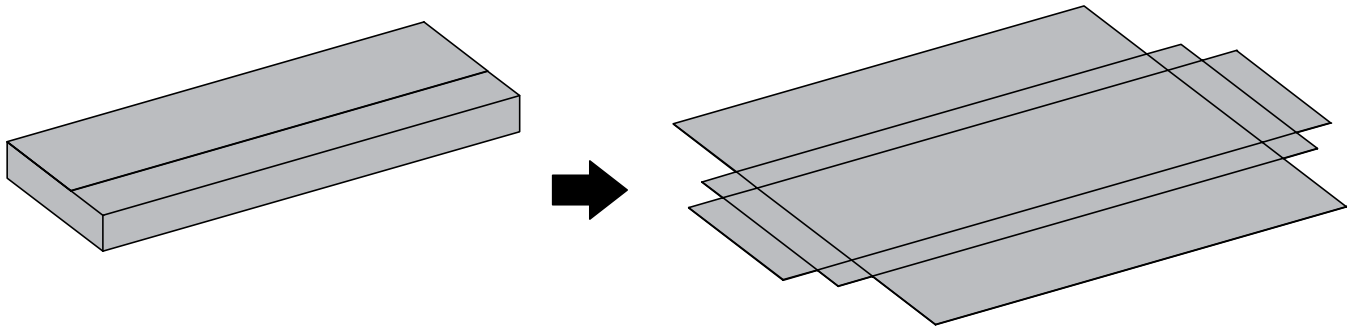
Assemblez le meuble sur une surface propre et plane et couvrez-le avec le carton de l'emballage du produit.

Um Beschädigungen zu vermeiden, montieren Sie den Artikel auf einer weichen, sauberen Unterlage.
Tipp: Legen Sie den Artikel auf dem Verpackungskarton.

Montar el mueble sobre una superficie limpia y plana y cubrirlo con el cartón del embalaje del producto.

Montar o móvel sobre uma superfície limpa e plana e forrá-la com o papelão da embalagem do produto.

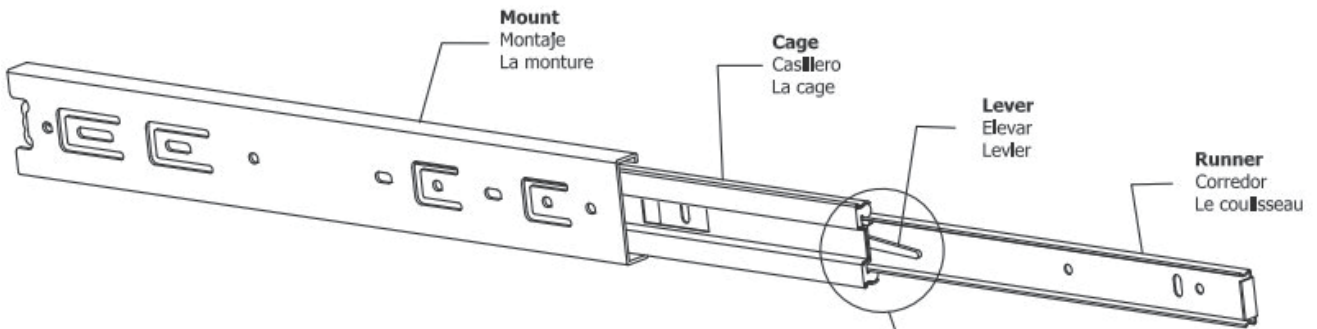
Montare il mobile su una superficie pulita e piana e rivestirla con il cartone d'imballaggio del prodotto.



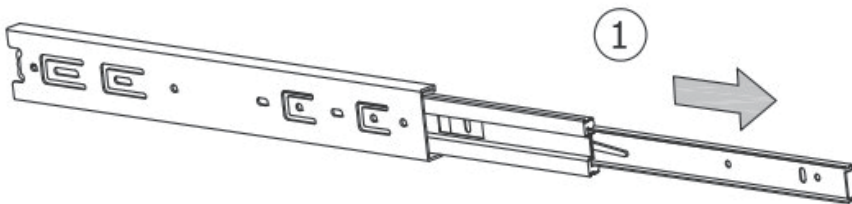
**Slides Must Be Separated Before Assembly.
After Separated, Set Aside Until Needed for Assembly.**

Las diapositivas deben separarse antes del montaje.
Después de la separación, déjelo a un lado hasta que sea necesario.

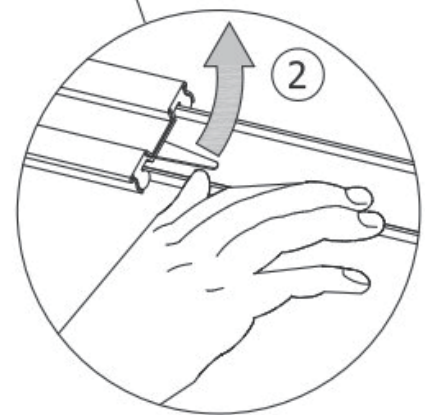
Les glissières doivent être séparées avant l'assemblage.
Après la séparation, mettez de côté jusqu'au moment de l'assemblage.



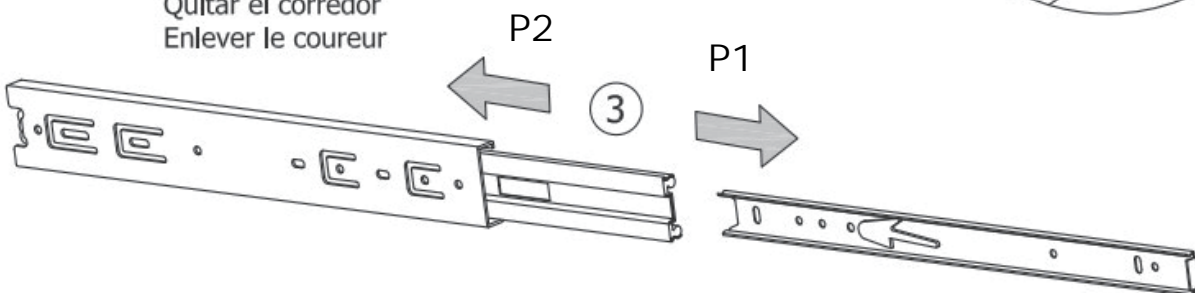
STEP 1: Extend Slide
Extender la diapositiva
Extendre la diapositive



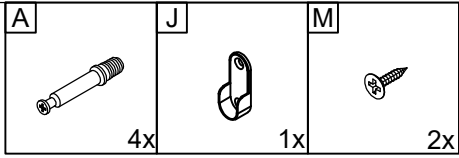
STEP 2: Push Lever UP
Empujar hacia arriba
Lever le levier



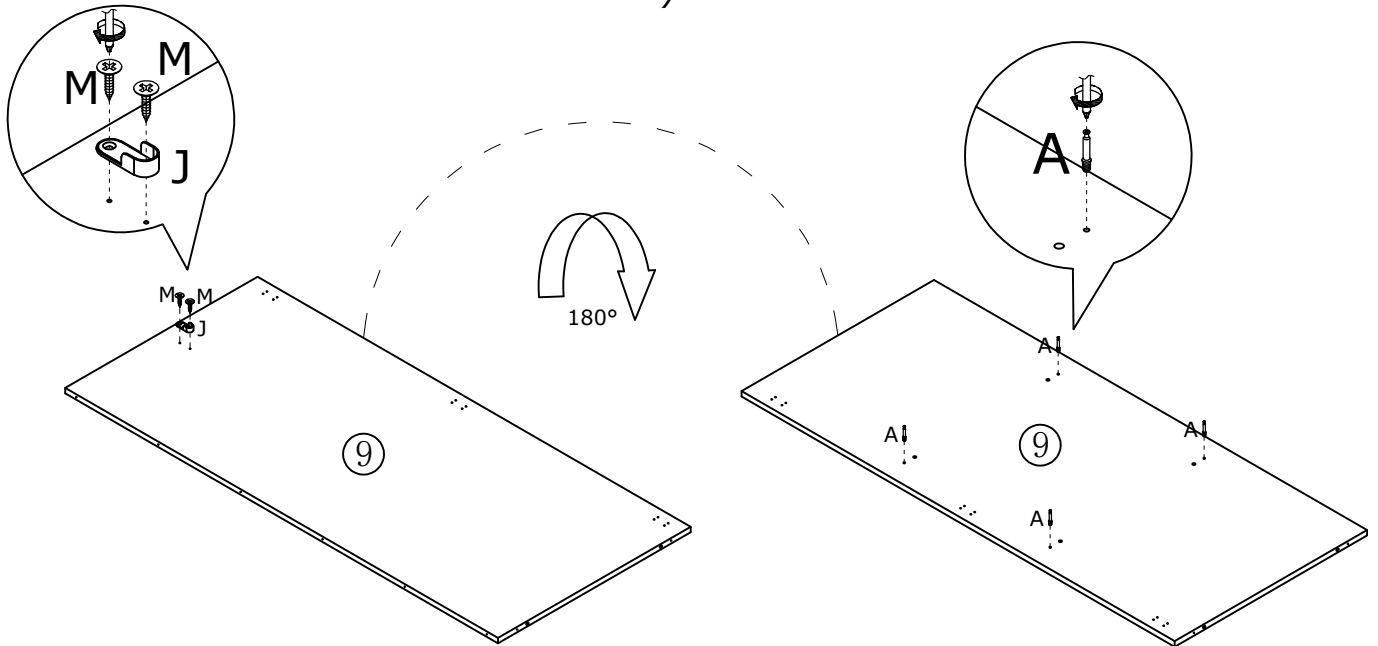
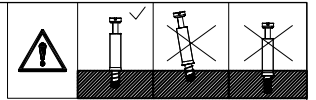
STEP 3: Remove Runner
Quitar el corredor
Enlever le coureur



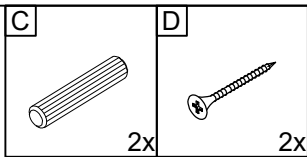
1



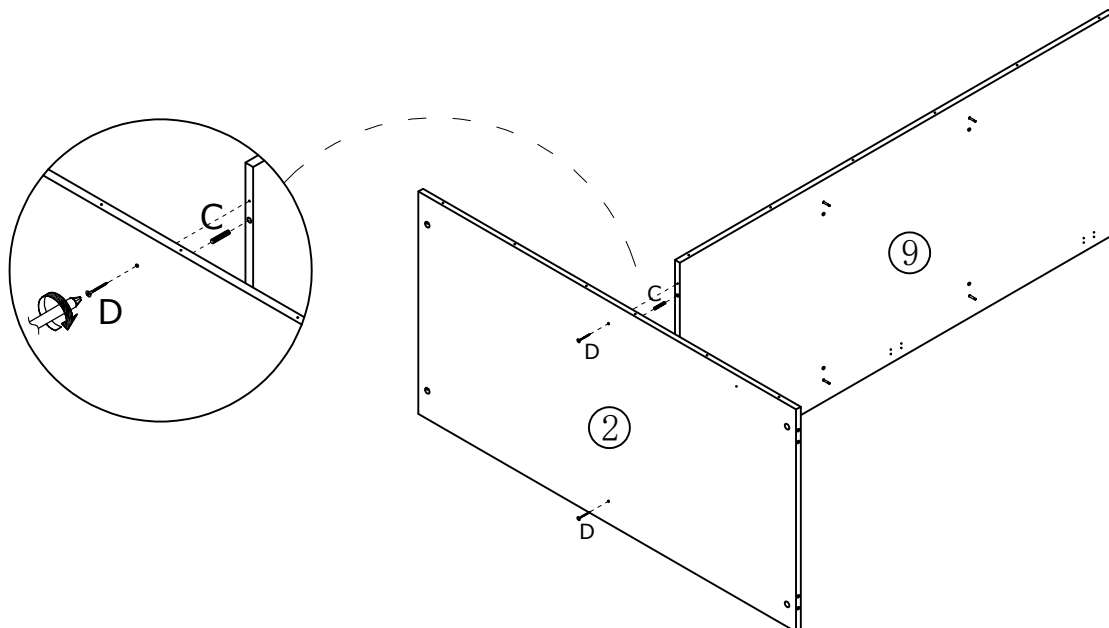
Insert quick release screws (A) into plate 9
Use screws (M) to secure hook (J) to plate 9



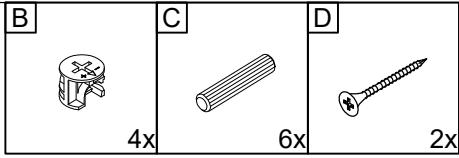
2



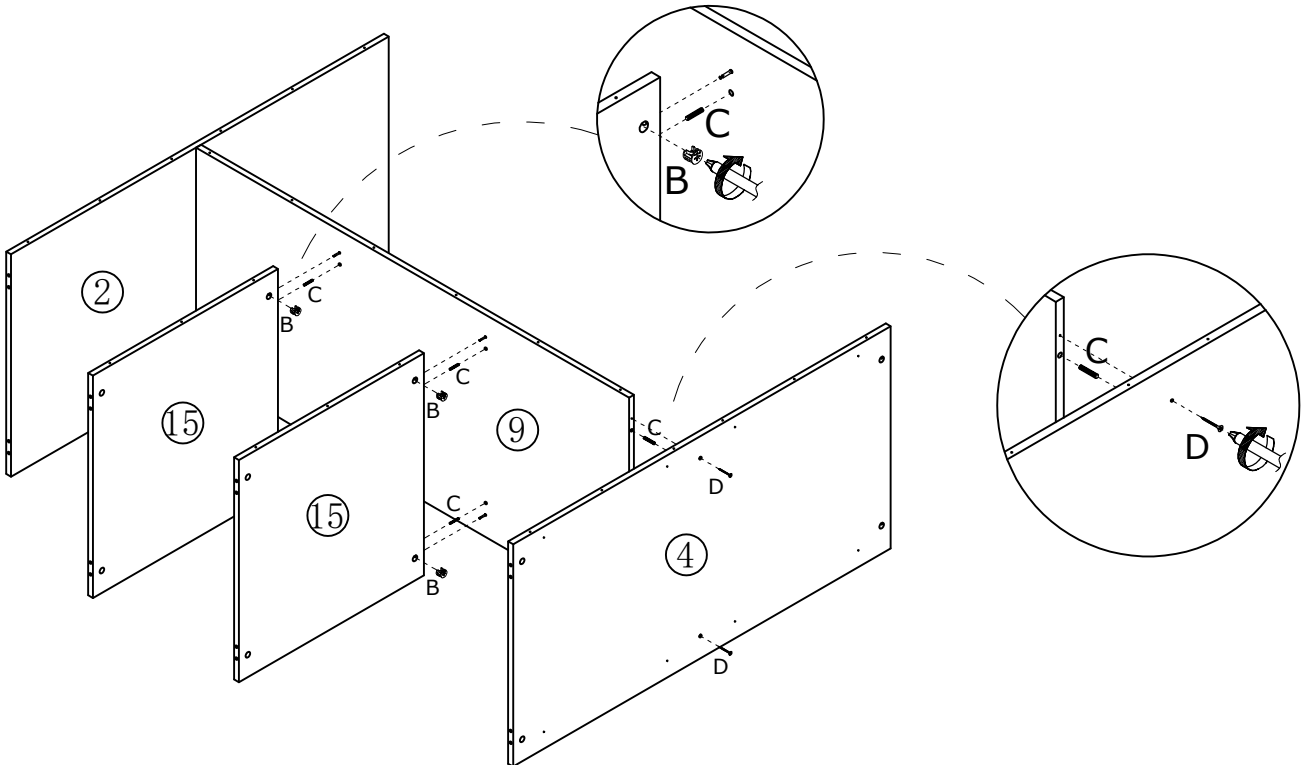
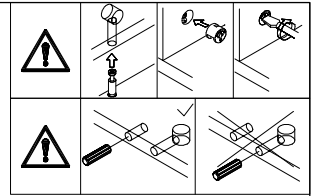
Start by inserting the dowel (C) into board 9
Secure plate 2 with screws (D)



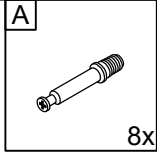
3



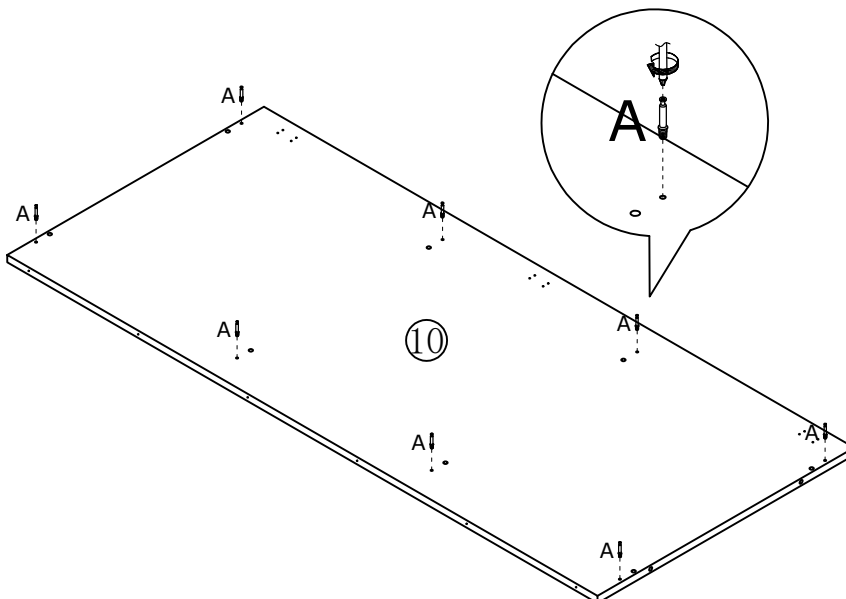
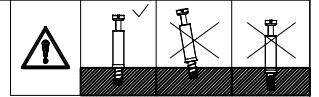
Start by inserting the dowel (C) into board 9
Secure board 4 with screws (D)
Insert cam locator (B) into plate 15
Turn clockwise to secure tighten



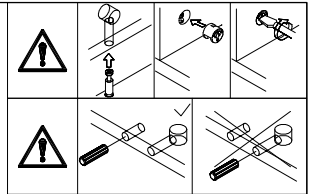
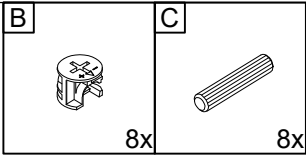
4



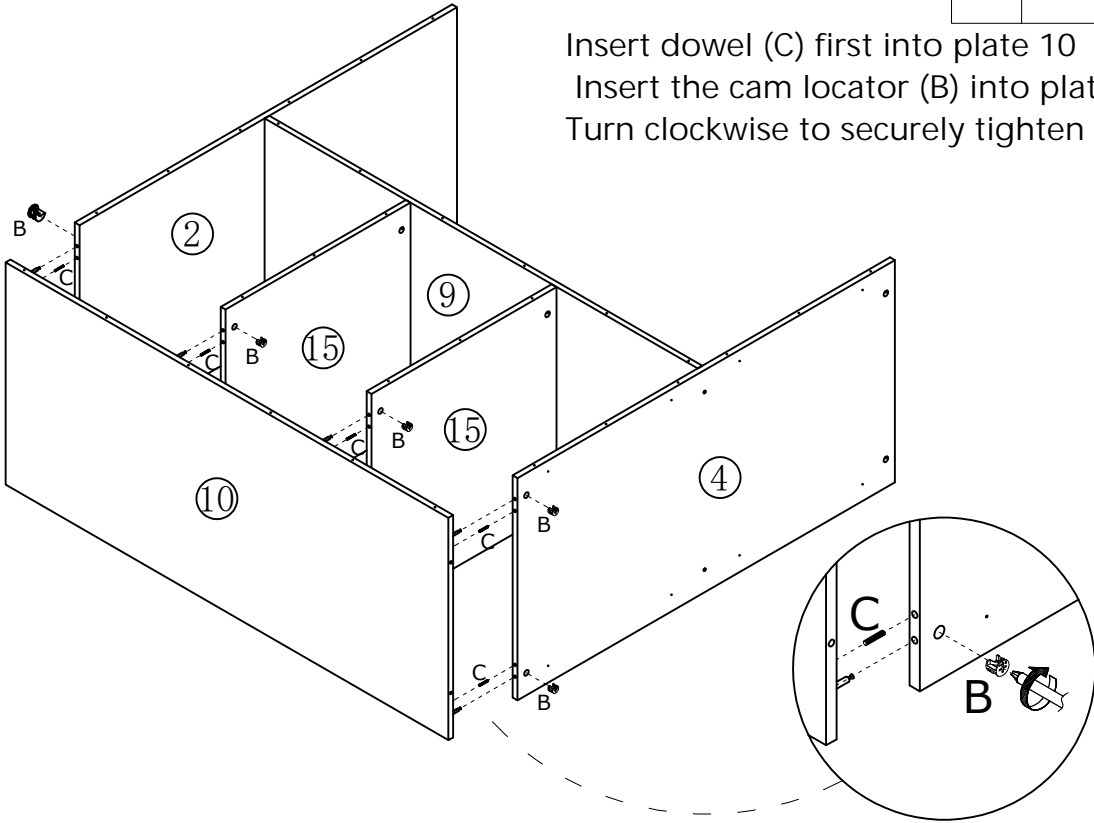
Insert quick release screws (A) into plate 10



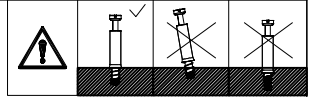
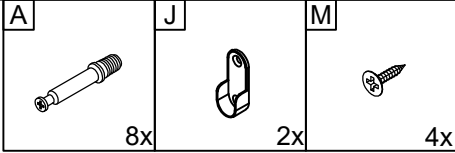
5



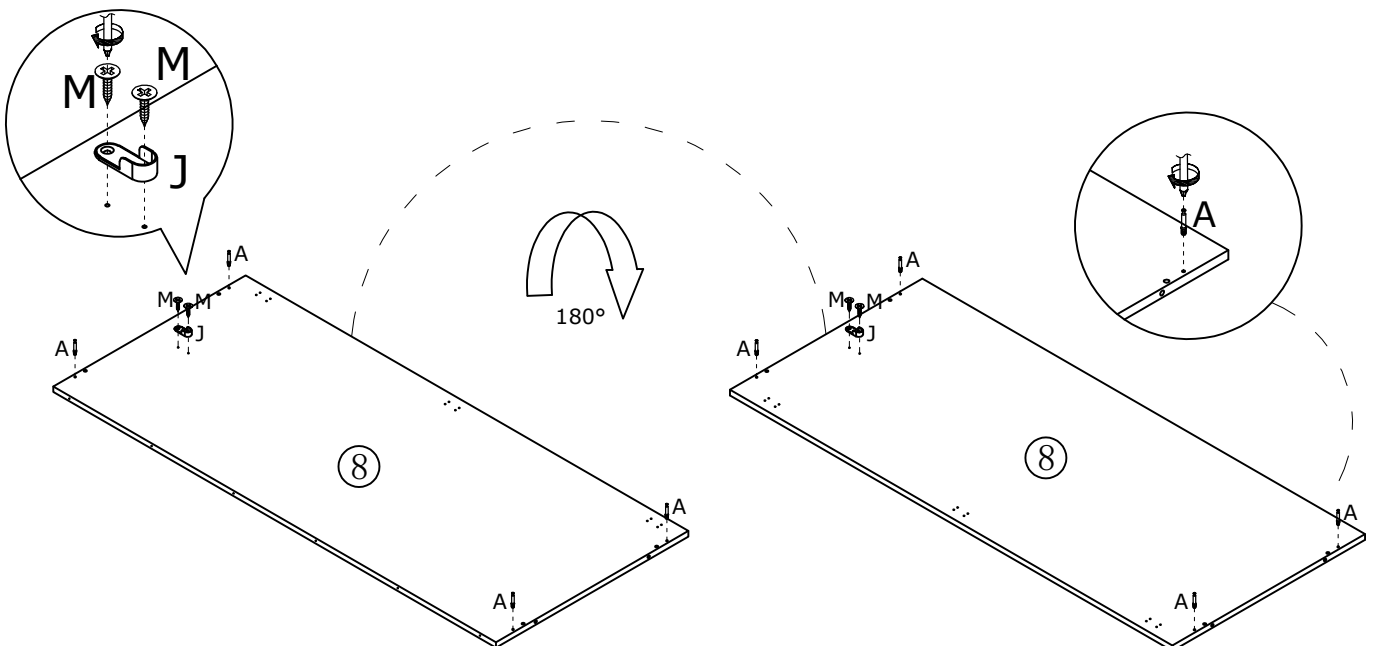
Insert dowel (C) first into plate 10
Insert the cam locator (B) into plates 2,4,15.
Turn clockwise to securely tighten



6

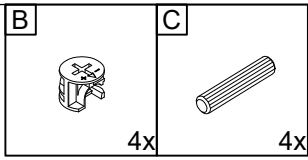


Insert the quick release screws (A)
into the plate 8
Use screws (m) to secure hook (j)
to plate 8

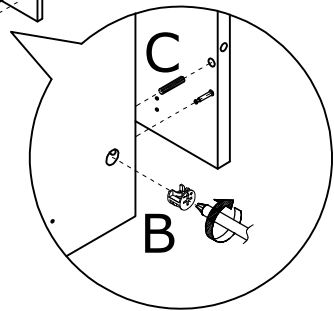
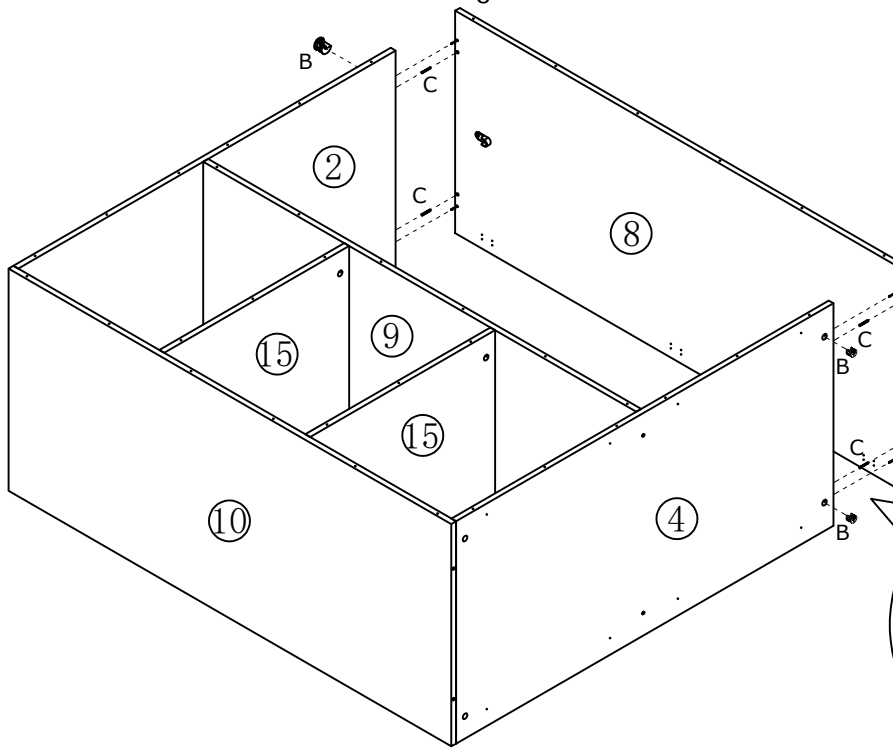
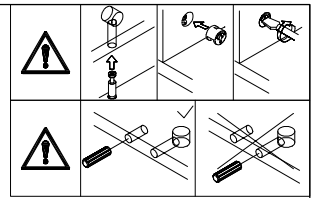


10

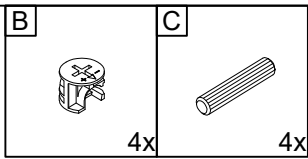
7



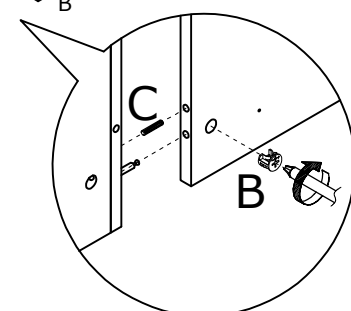
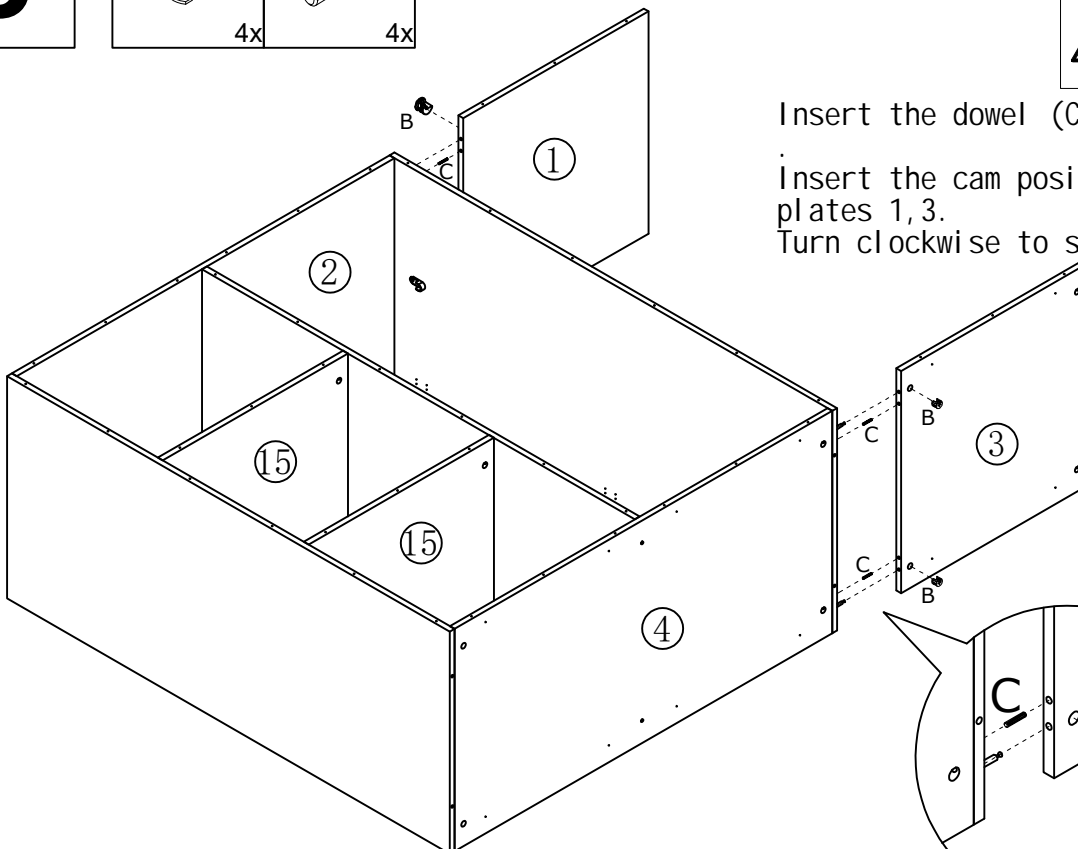
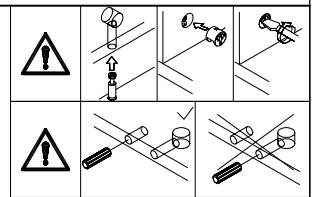
Insert the dowel (C) into plate 8
Insert the cam positioner (B)
into plates 2, 4.
Turn clockwise to securely
tighten



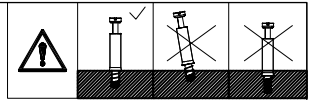
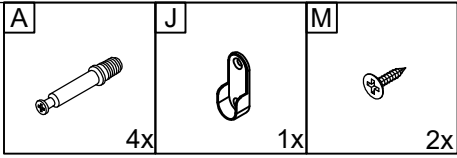
8



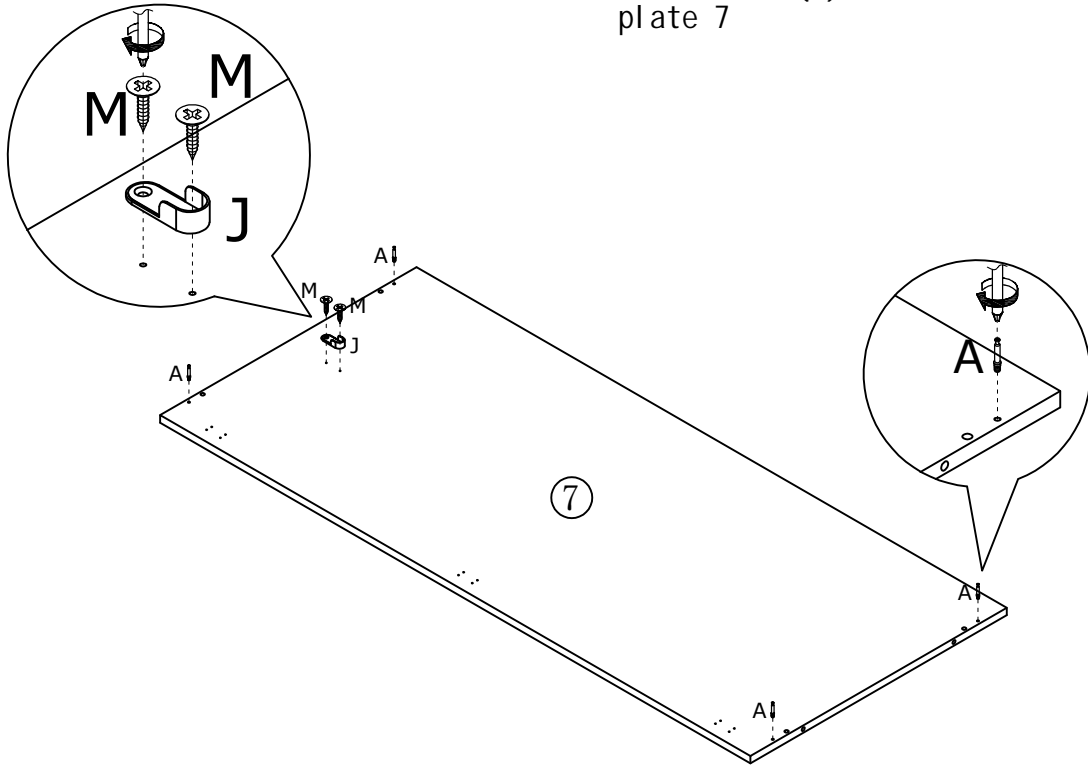
Insert the dowel (C) into plate 2, 4
Insert the cam positioner (B) into
plates 1, 3.
Turn clockwise to securely tighten



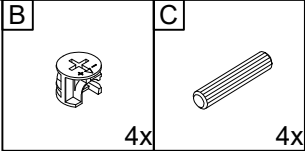
9



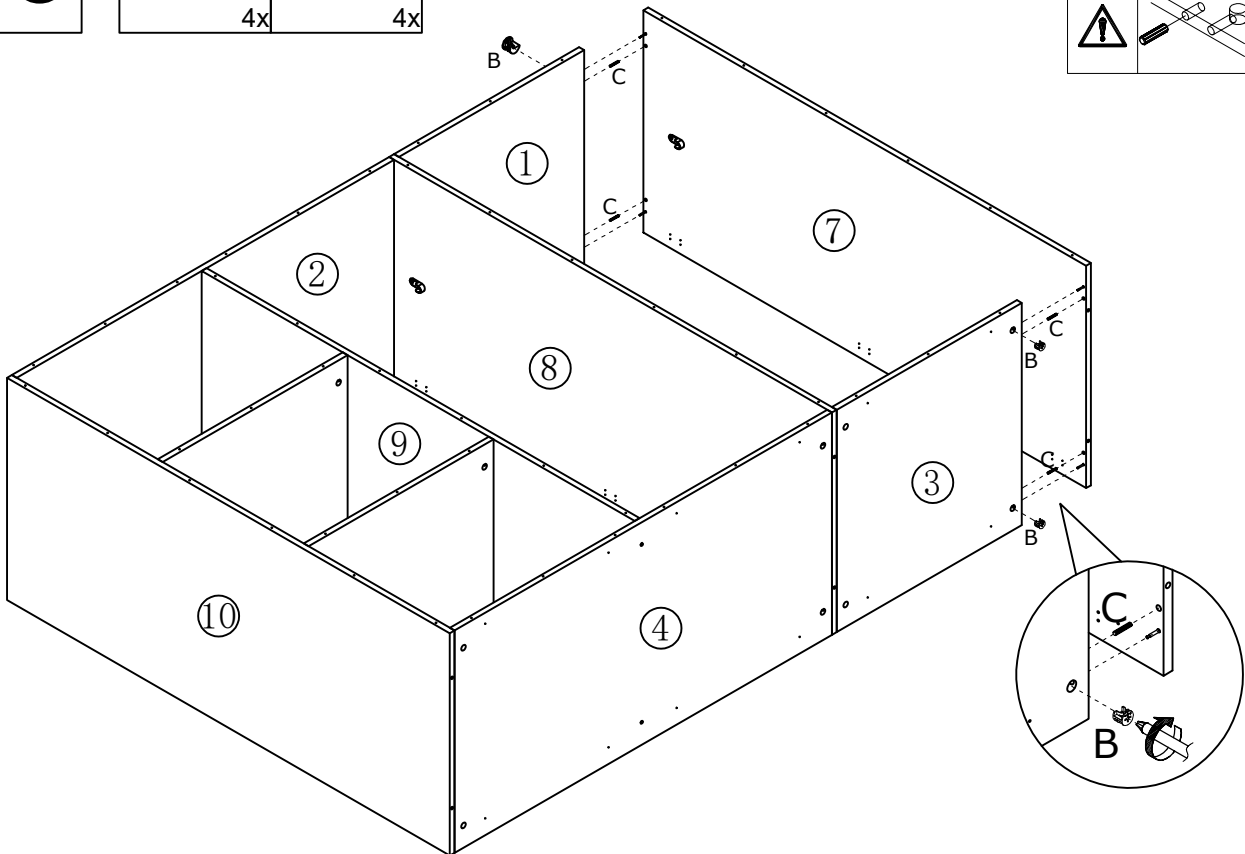
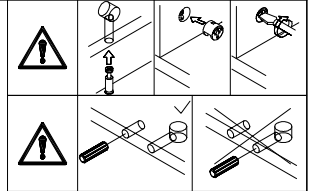
Insert quick release screws (A) into plate 7
Use screws (M) to secure hook (J) to plate 7



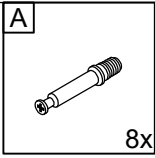
10



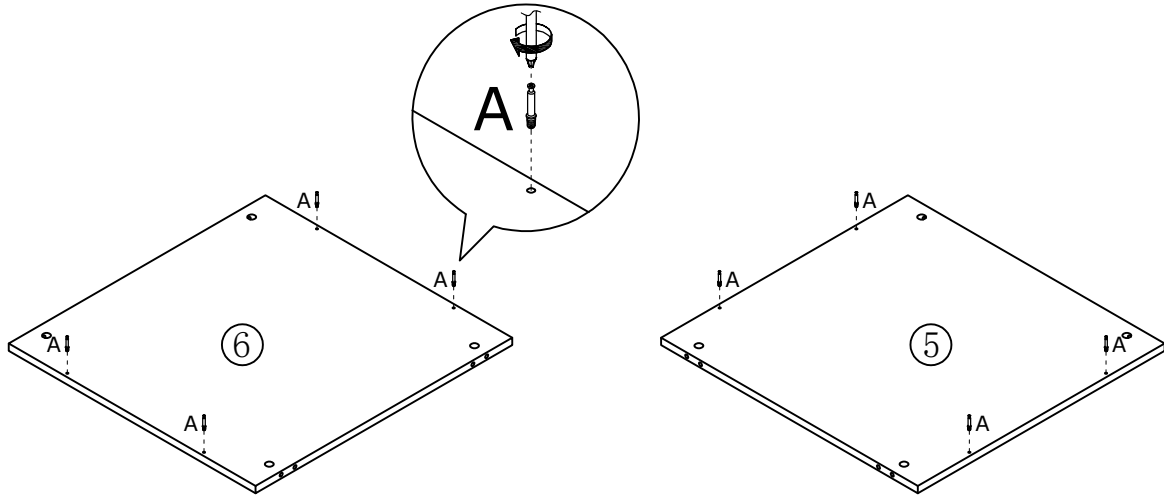
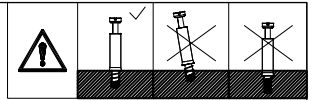
Insert dowel (C) into plate 7
Insert cam locator (B) into plate 1, 3
Rotate clockwise to secure



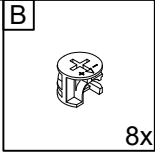
11



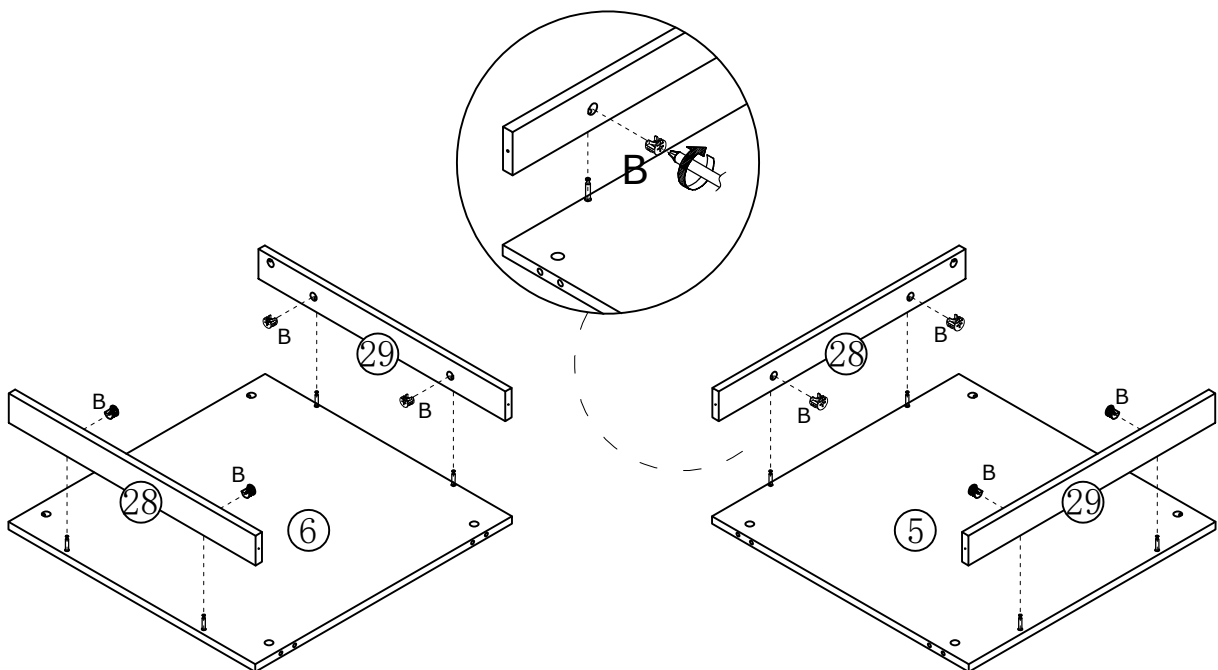
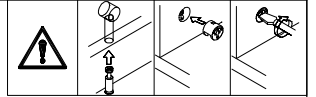
Insert the quick release screws (A) into the plate. 5, 6



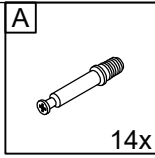
12



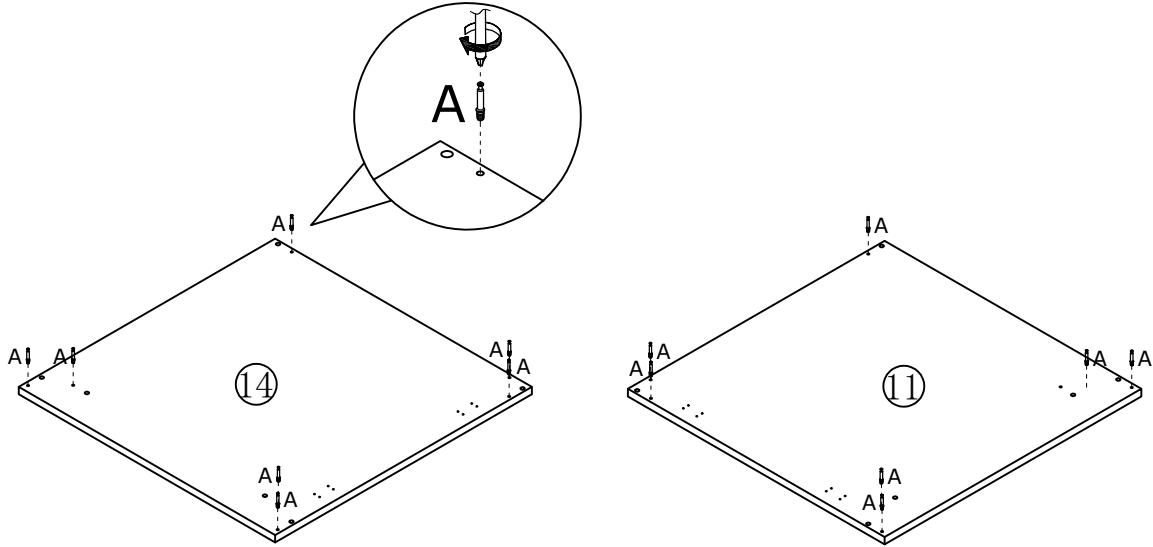
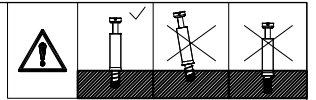
Insert cam positioner (B) into plate 28, 29
Rotate clockwise to secure



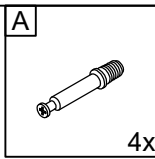
13



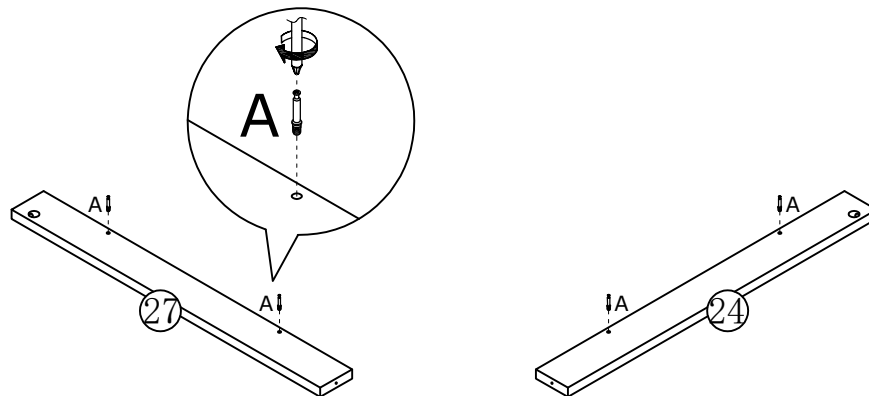
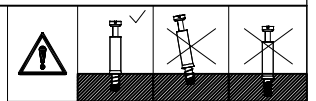
Insert the quick release screws (A) into the plates 11, 14.



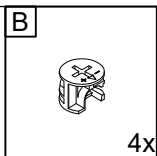
14



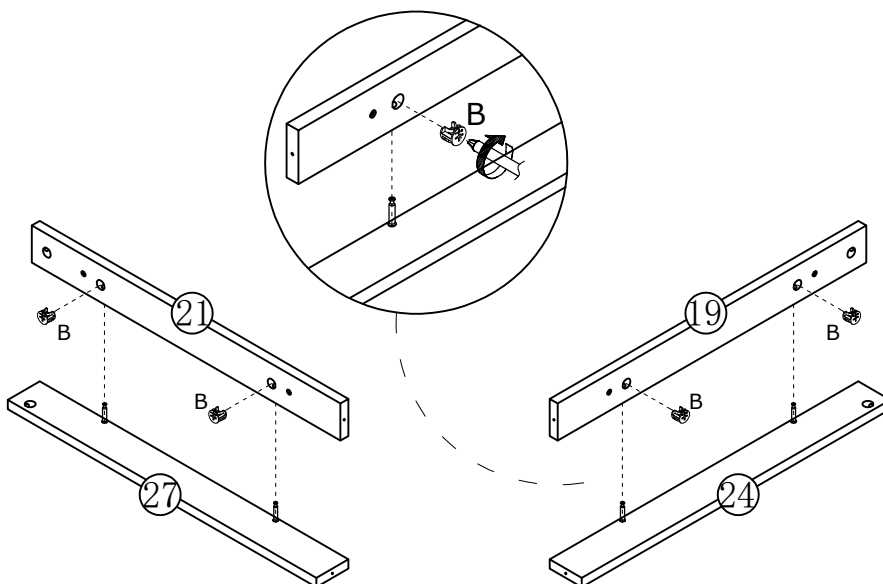
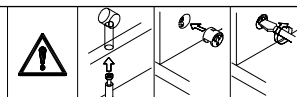
Insert the quick release screws (A) into the plates 24, 27.



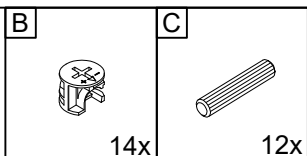
15



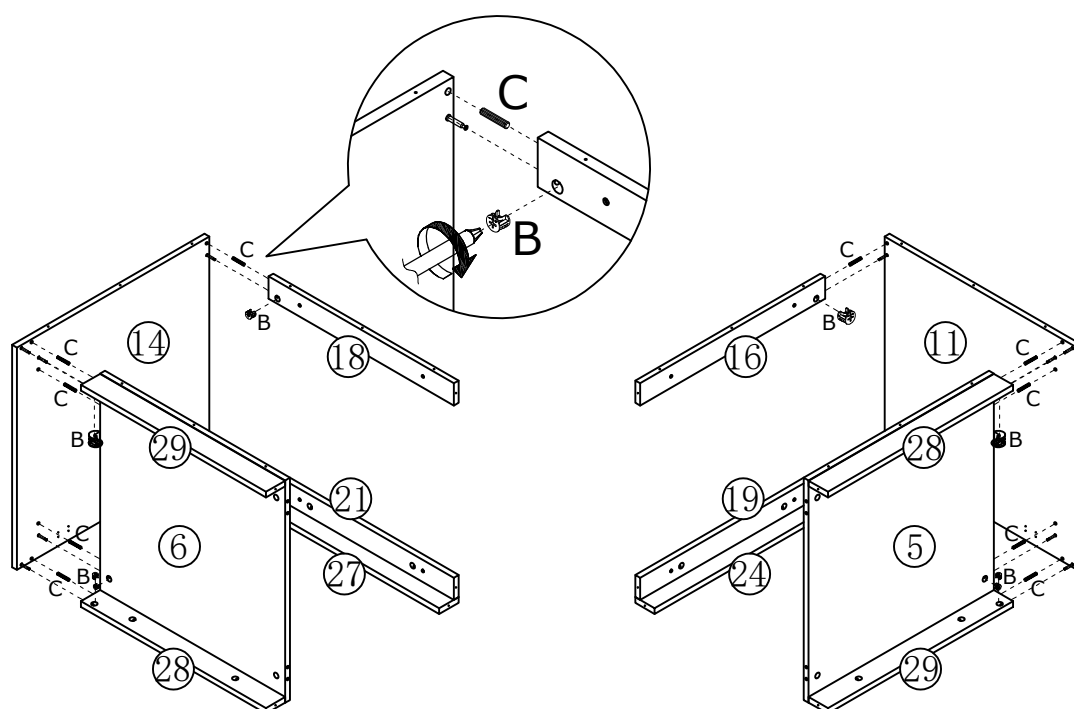
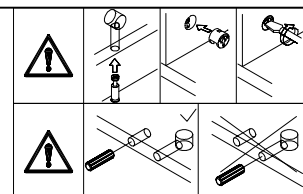
Insert the cam positioner (B) into the plate 19,21.
Turn clockwise to secure and tighten



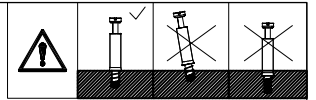
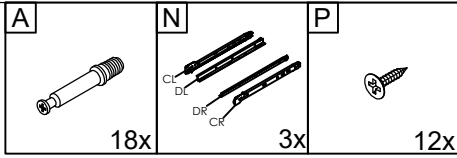
16



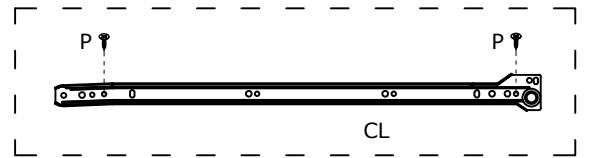
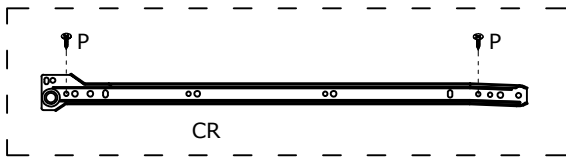
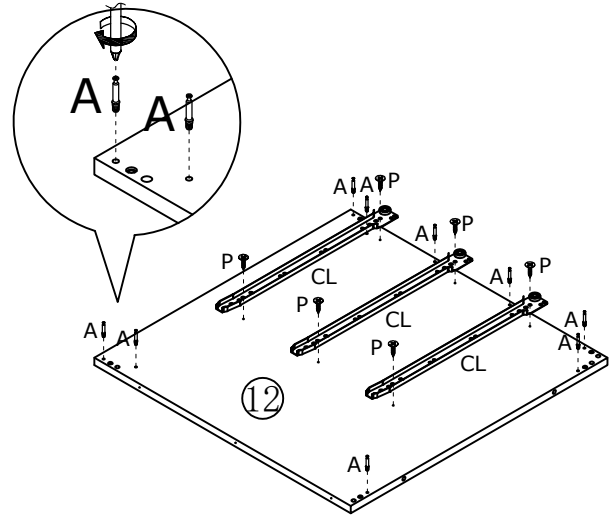
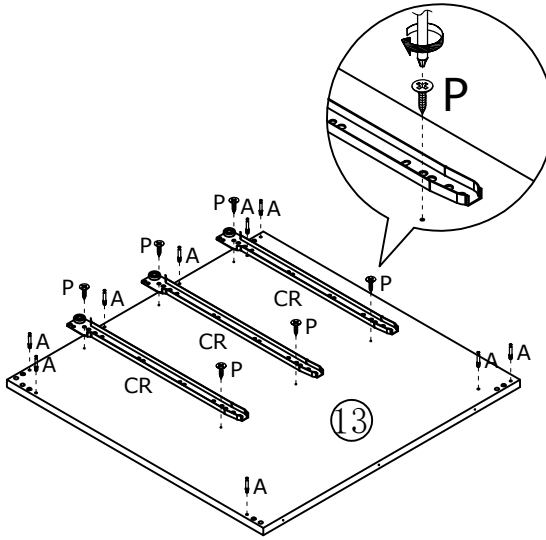
Insert dowels (C) into plates 11, 14.
Insert the cam locator (B) into the hole in the plate as shown.
Turn clockwise to secure and tighten



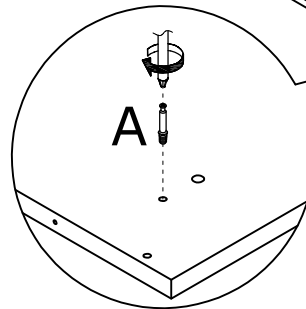
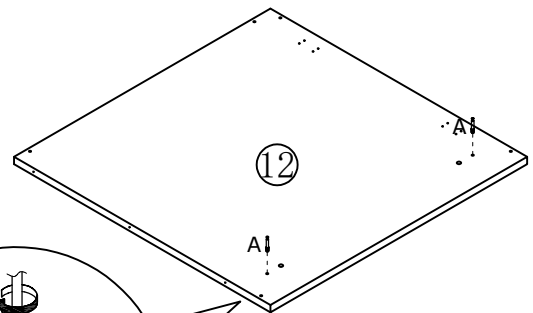
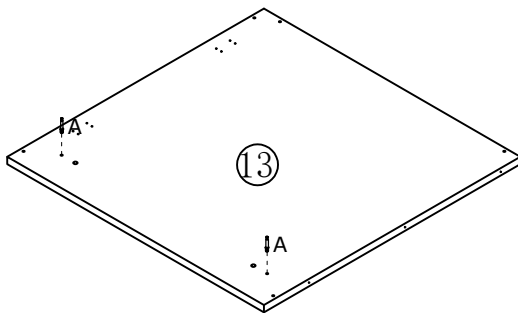
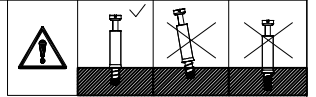
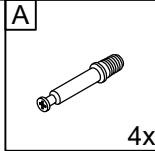
17



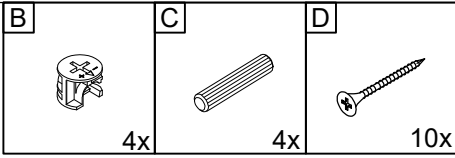
Insert quick release screws (A) into plates 12, 13
Secure the slide (N) to the plates 12, 13 with screws (P).
Note the corresponding holes



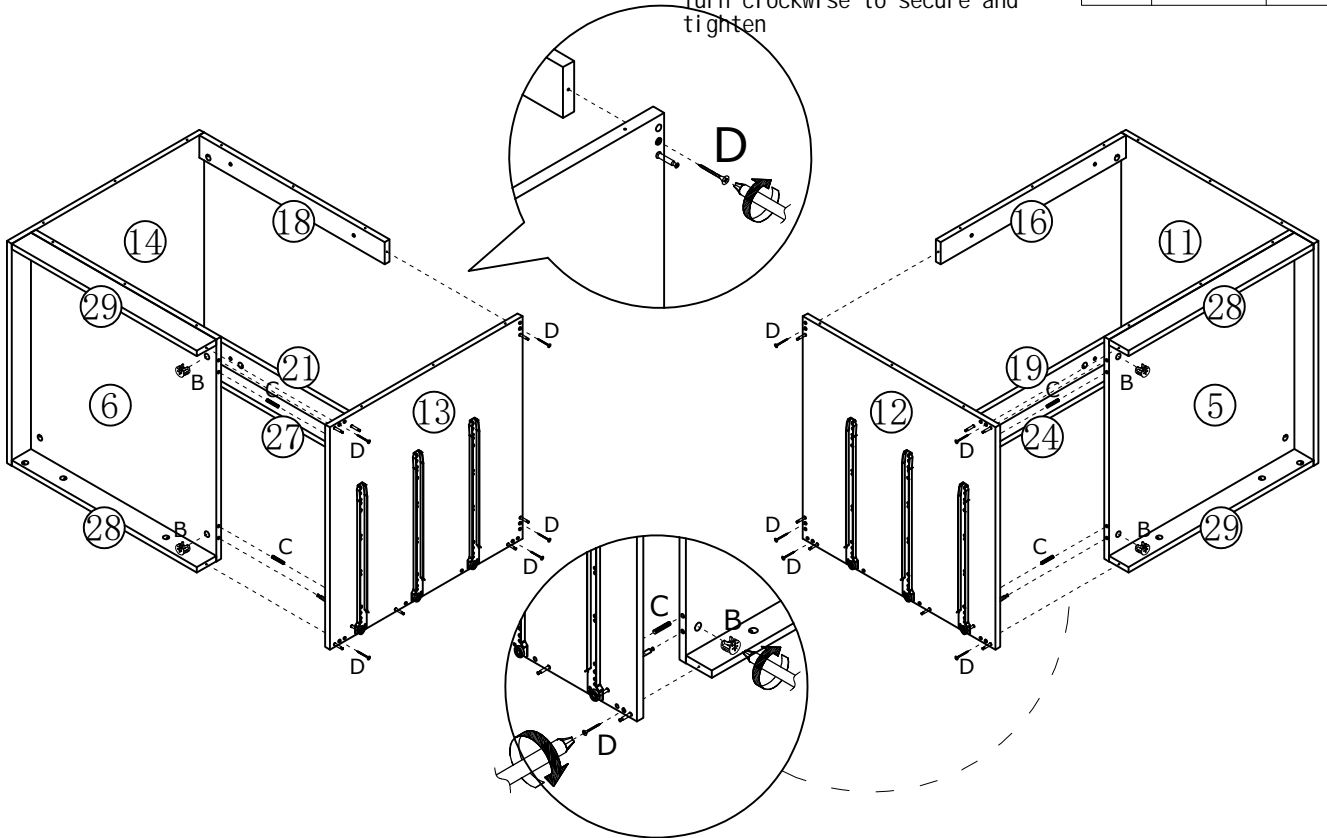
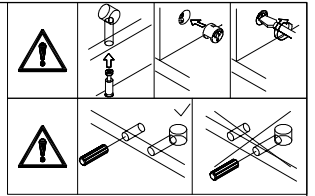
18



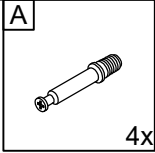
19



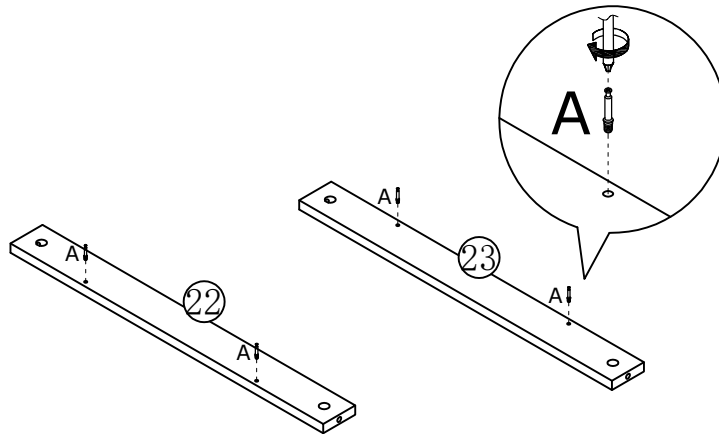
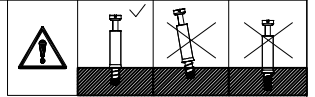
First insert the dowel (C) into the plate 13, 24 as shown
Use screws (D) to secure boards 12, 13 to boards 28, 29.
Insert cam locator (B) into plates 5, 6.
Turn clockwise to secure and tighten



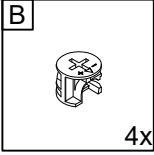
20



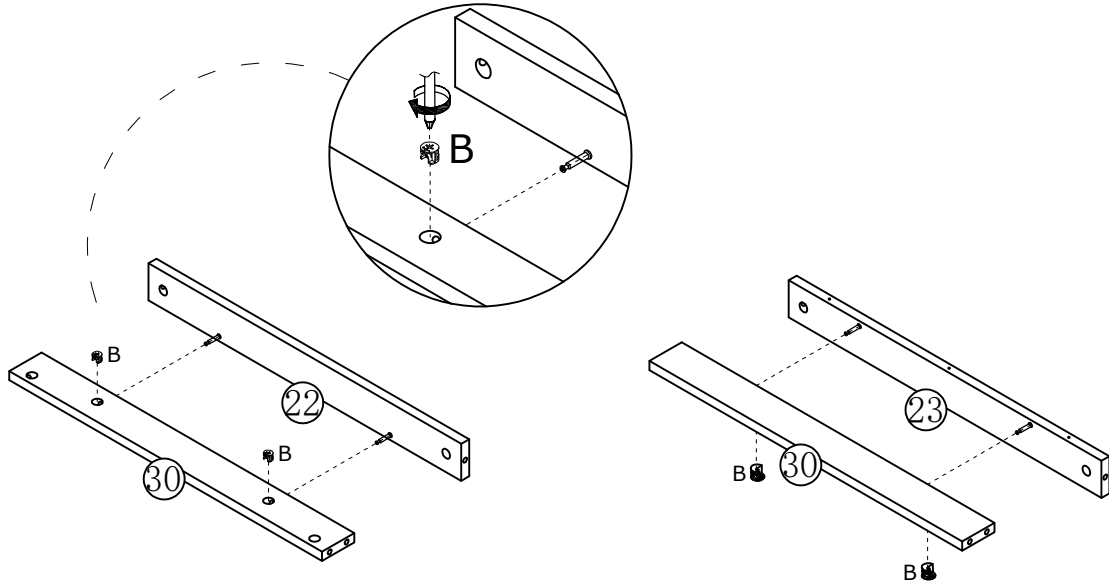
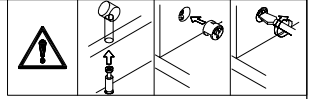
Insert the quick release screws (A) into the plates 22, 23.



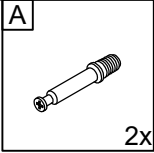
21



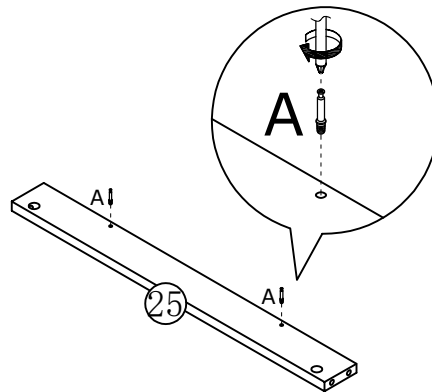
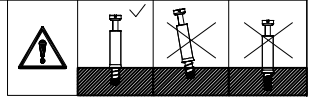
Insert cam positioner (B) into plate 30
Turn clockwise to secure and tighten



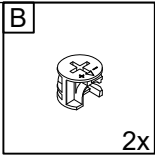
22



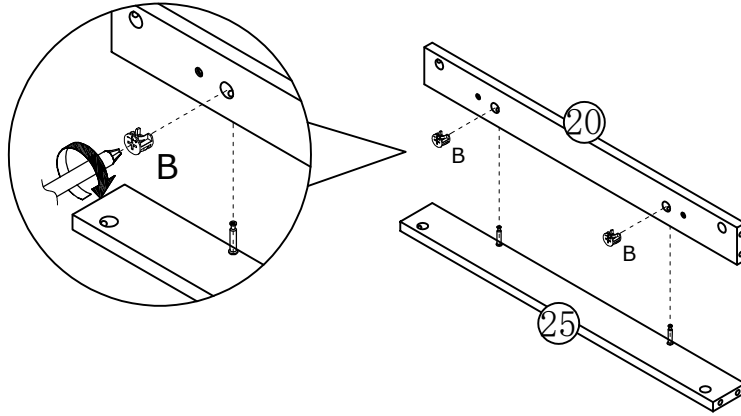
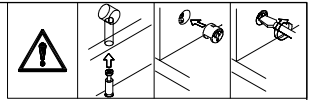
Insert the quick release screws (A)
into the plates 25



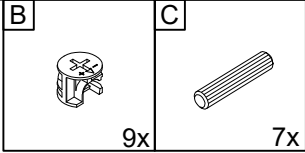
23



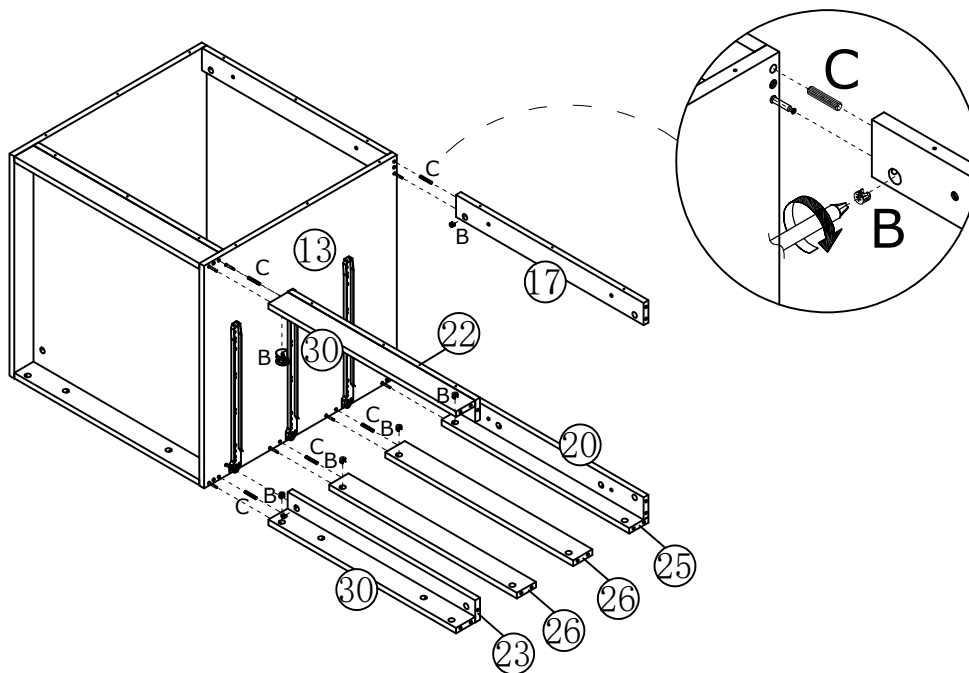
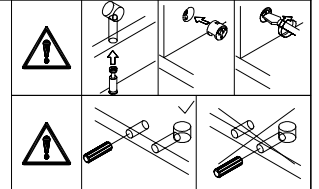
Insert cam positioner (B) into plate 20
Turn clockwise to secure and tighten



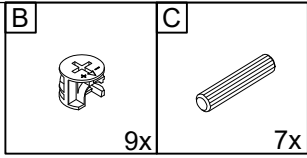
24



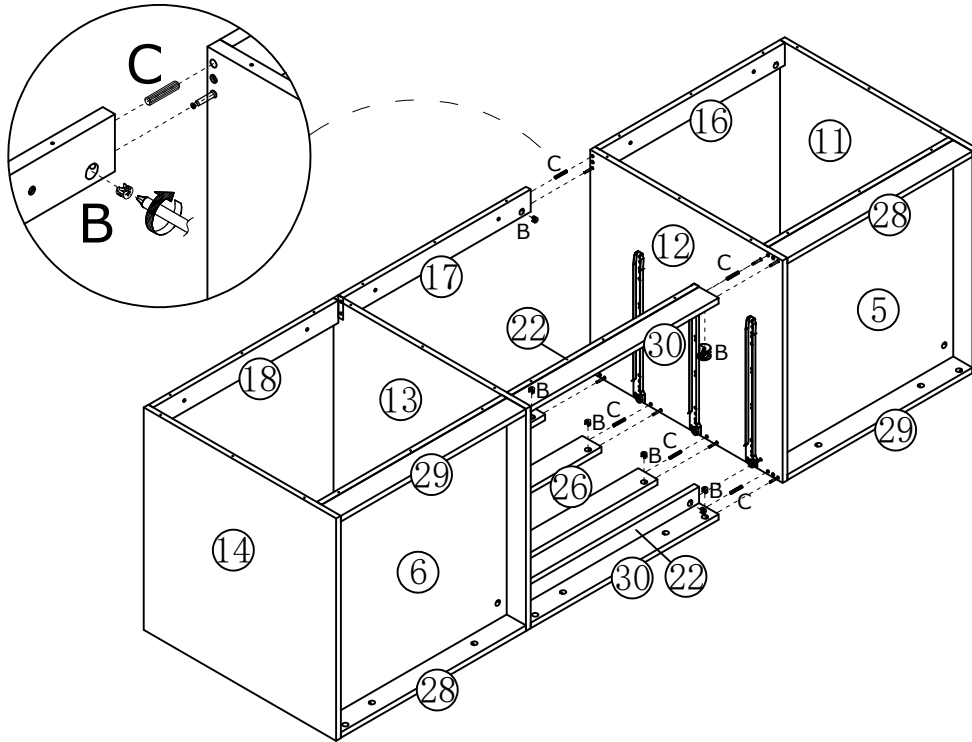
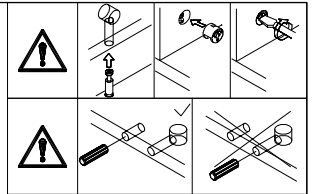
Insert the dowel (C) into
plate 13 first.
Insert cam locator (B) into
plate 17, 20, 22, 23, 25, 26, 30.
Turn clockwise to secure and
tighten



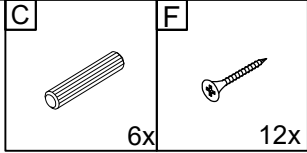
25



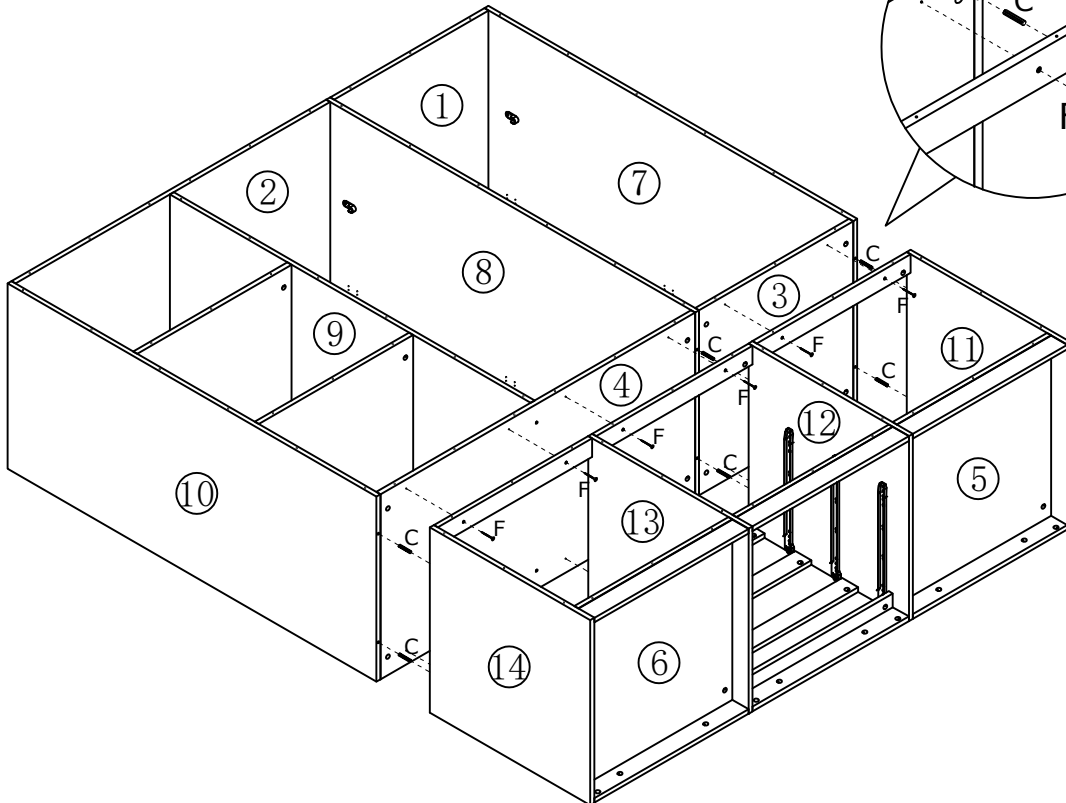
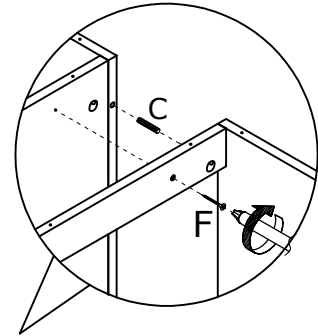
Insert dowel (C) into plate 12.
Insert cam locator (B) into plate 17,
20, 22, 23, 25, 26, 30.
Turn clockwise to secure and tighten



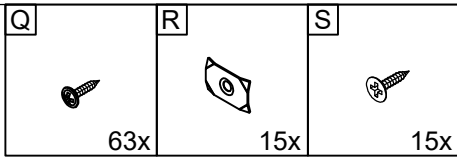
26



Insert the dowels (C) into the
boards 3, 4.
Secure with screws (F)
as shown in the figure



27

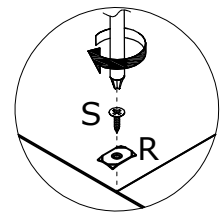
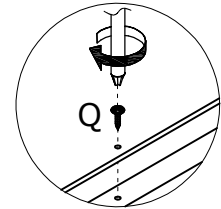
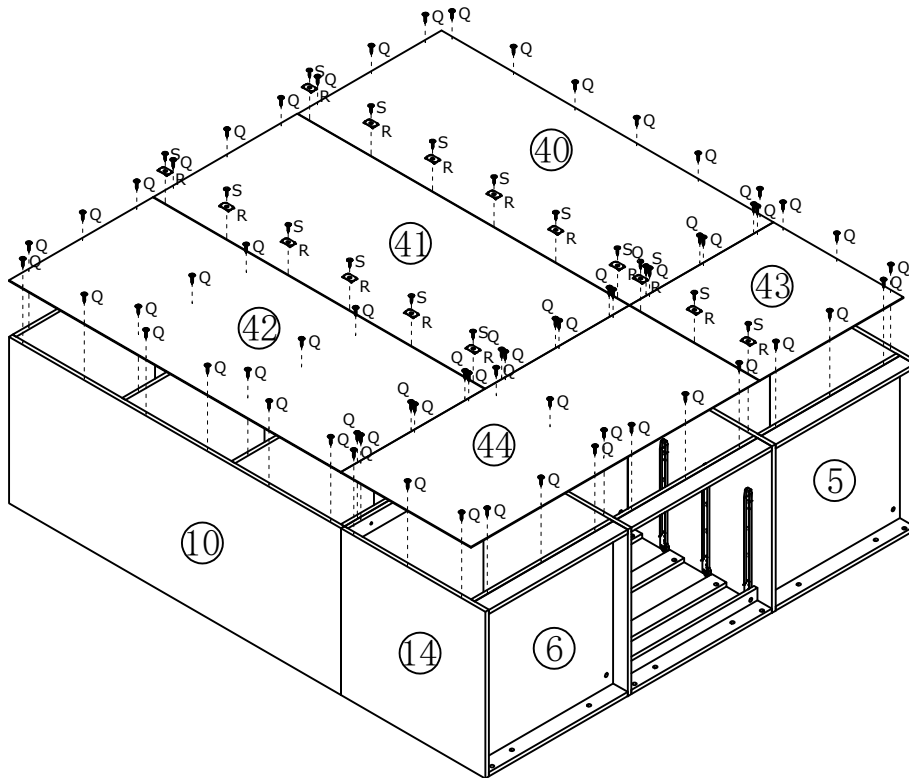


Backplane Installation

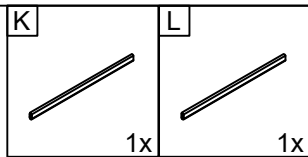
Position the backplane 40-44 as shown in the illustration.

Secure the perimeter with screws (Q).

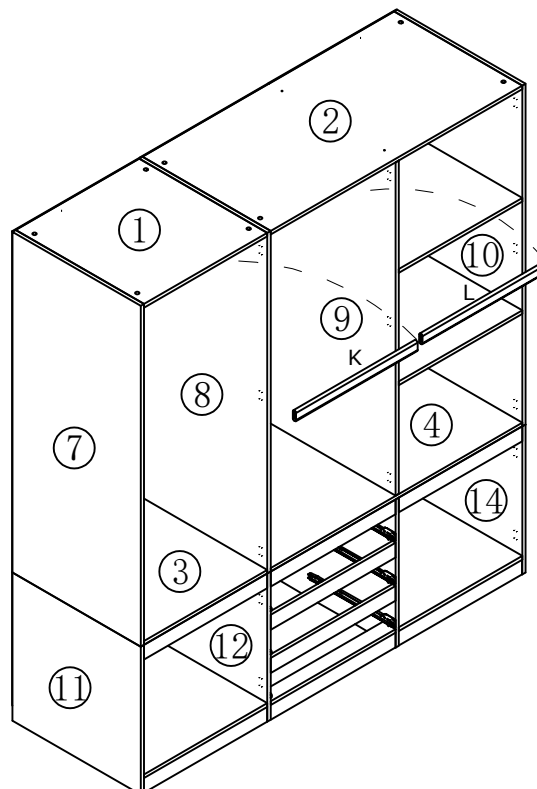
Use screws (S+R) to fix the gaps between the panels.



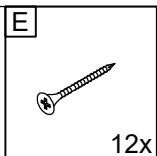
28



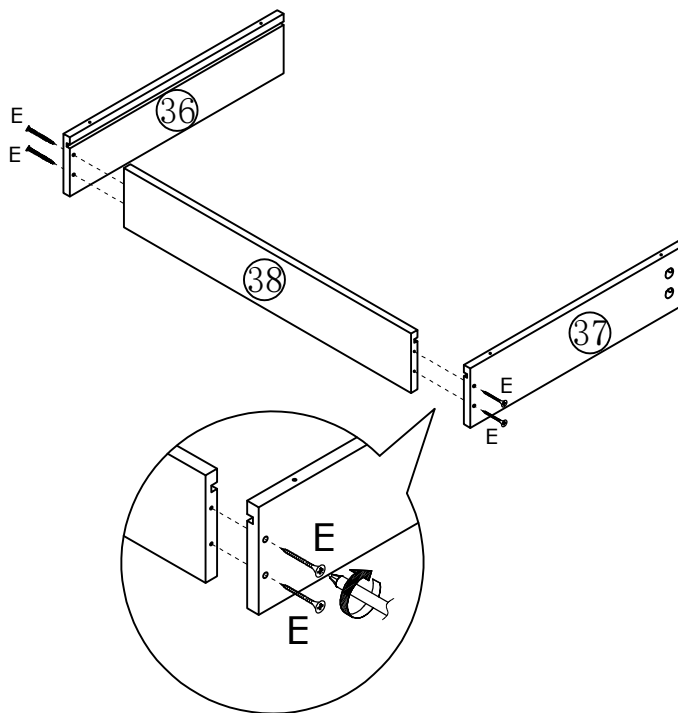
Place the suspension rod as shown



29



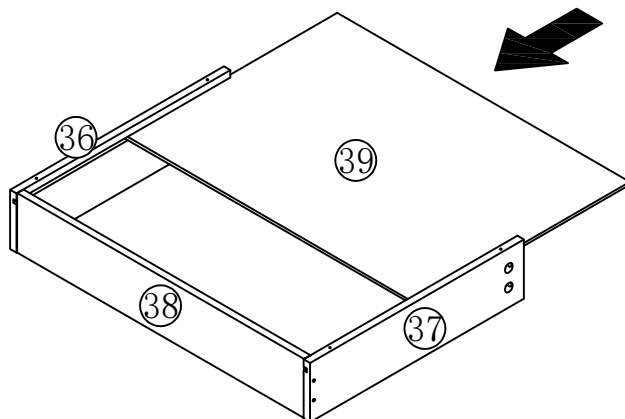
as shown
Use screws (E) to secure plates 36, 37,
38



x3

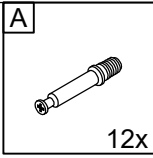
30

Insertion of base plate 39

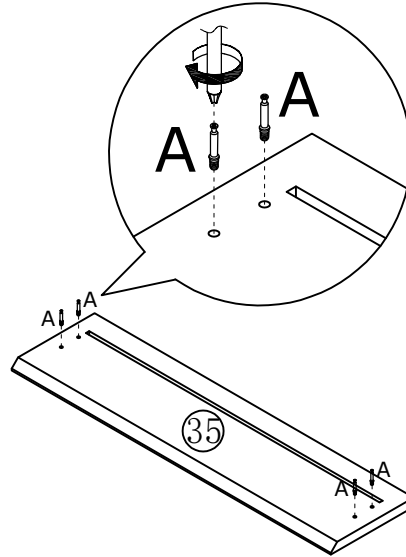
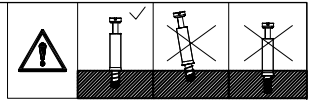


x3

31

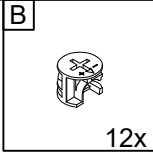


Insert quick release screws (A) into plate 35

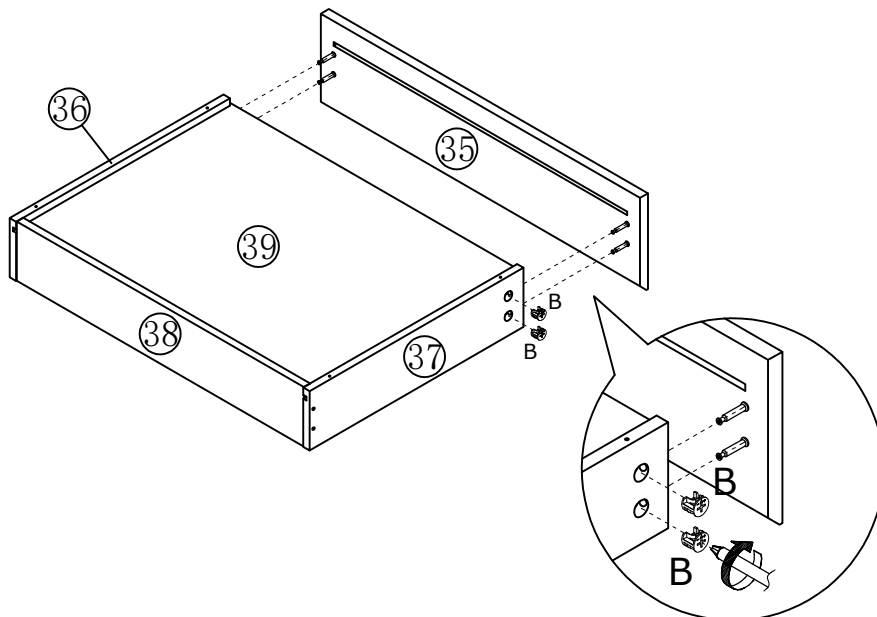
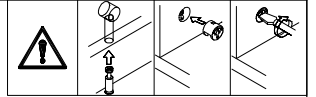


x3

32

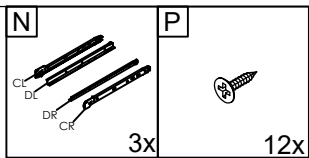


Insert the cam positioner (B) into the plate 36, 37.
Turn clockwise to secure and tighten

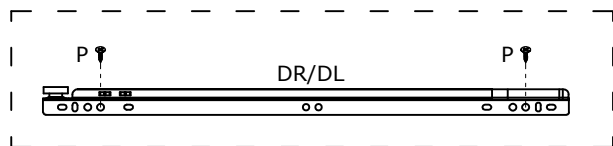
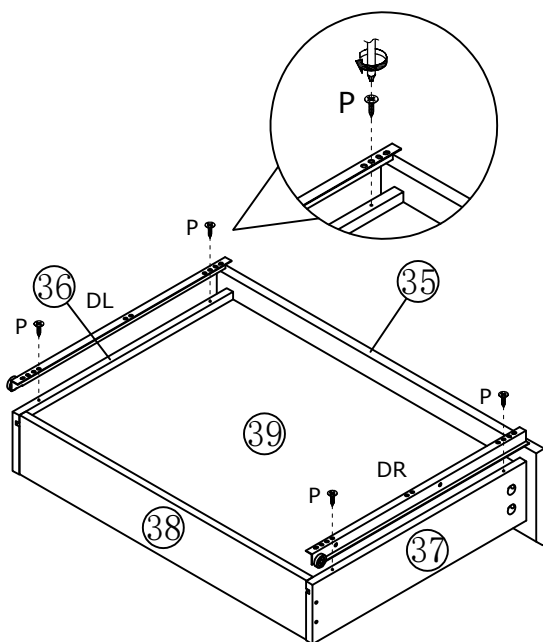


x3

33



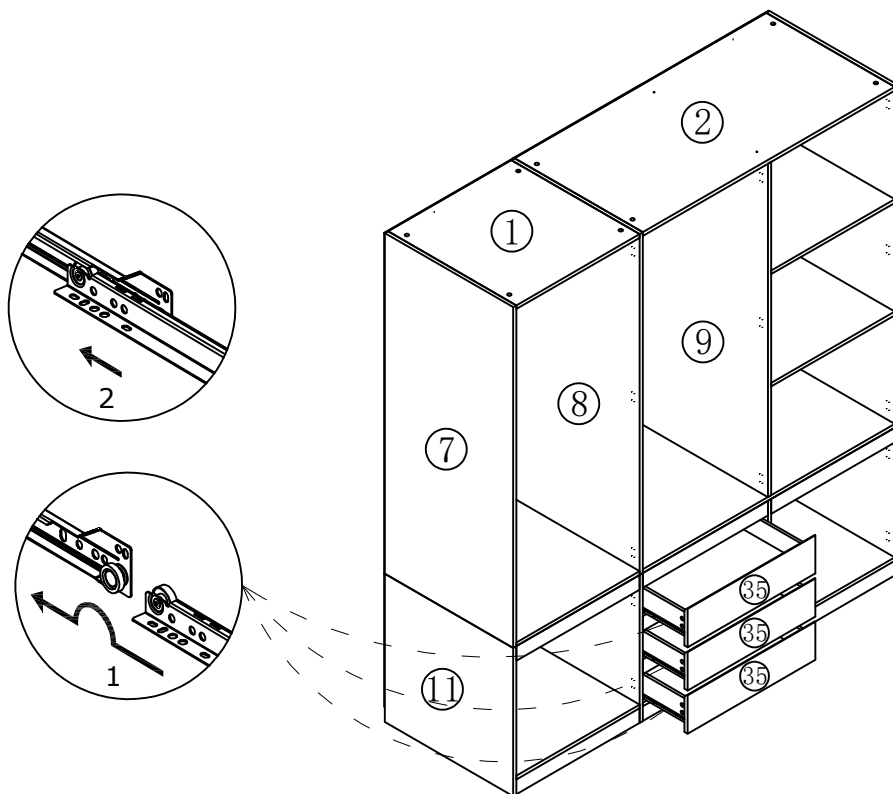
Secure the slide (N) with screws (P)
Note the hole position



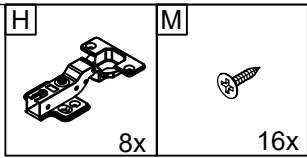
x3

34

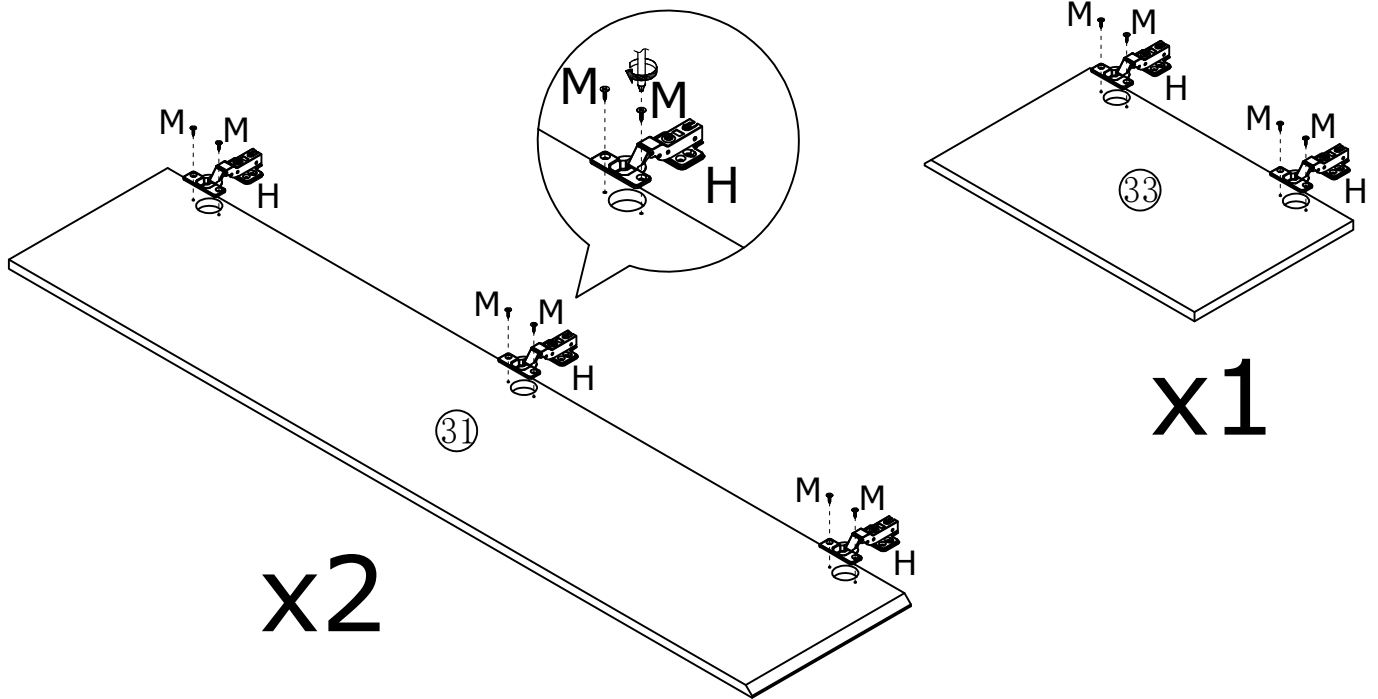
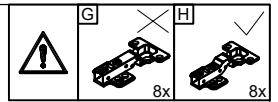
Drawer installation



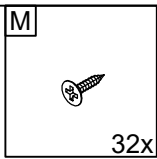
35



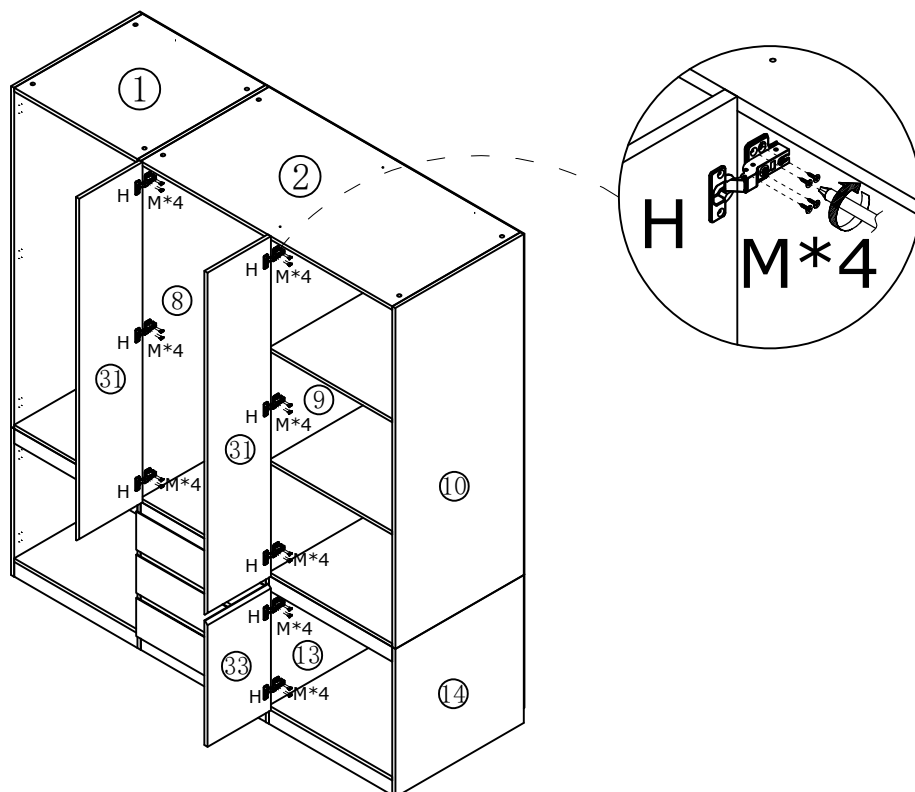
As shown
Use screws (M) to secure hinges (H) to plates 31, 33



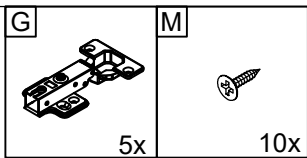
36



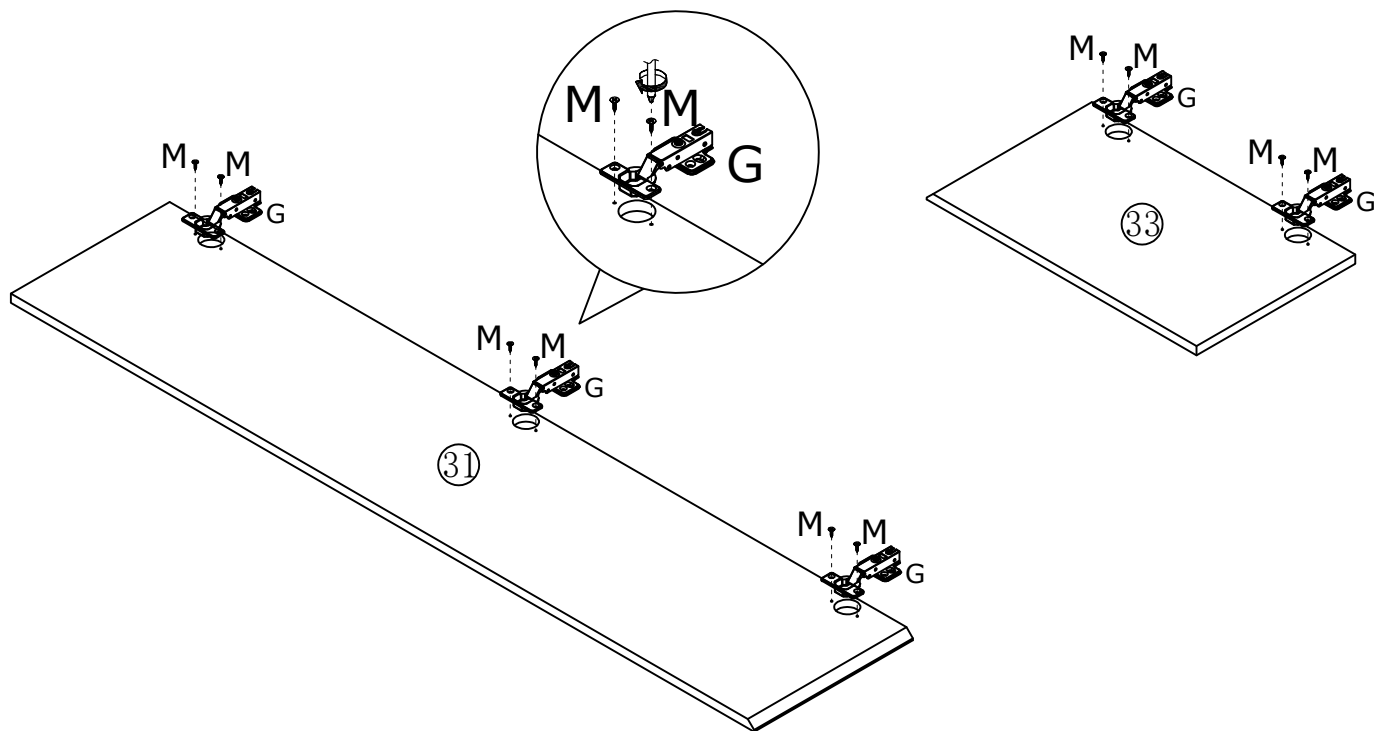
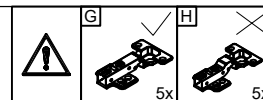
Cabinet Door Installation:
Use screws (M) to tighten plates 31, 33 hinge mounting plates at 8, 9, 13



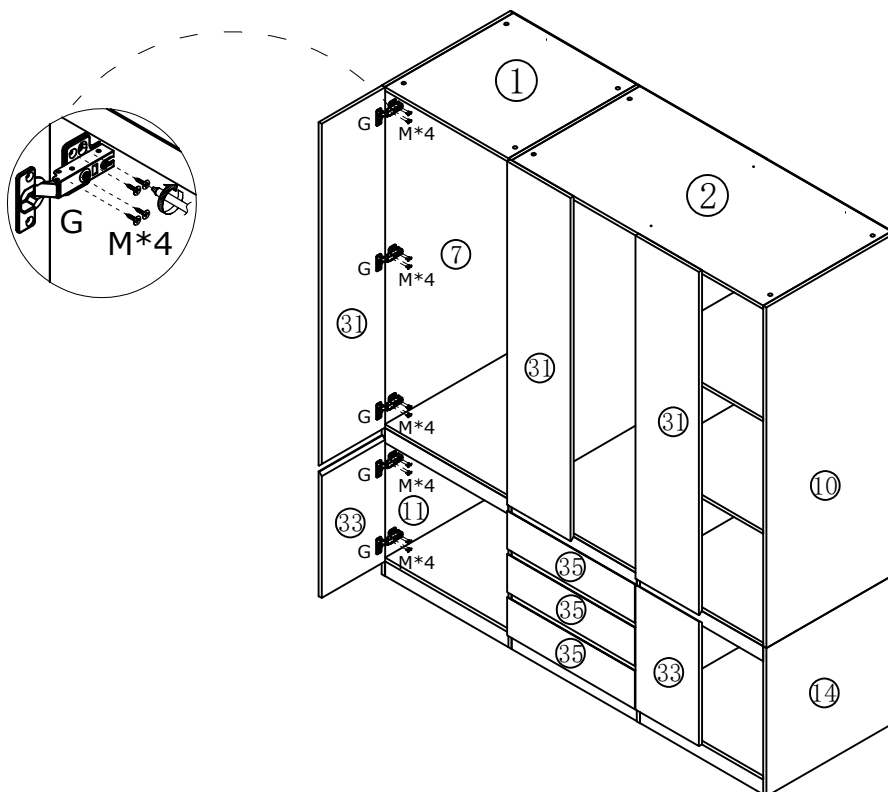
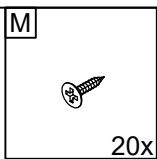
37



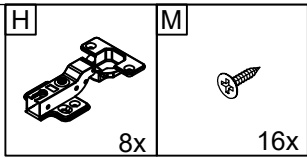
Install hinges as shown



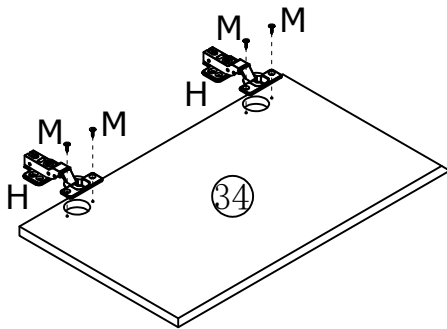
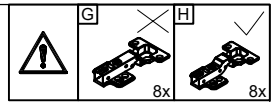
38



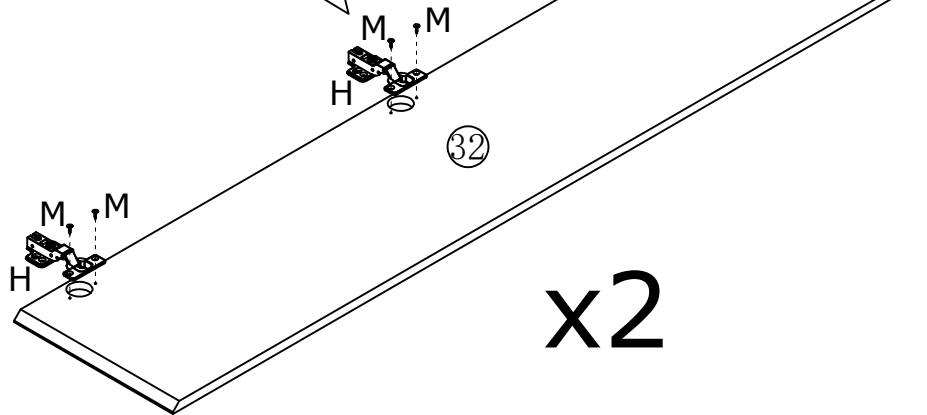
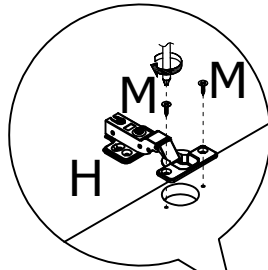
39



Install hinges as shown

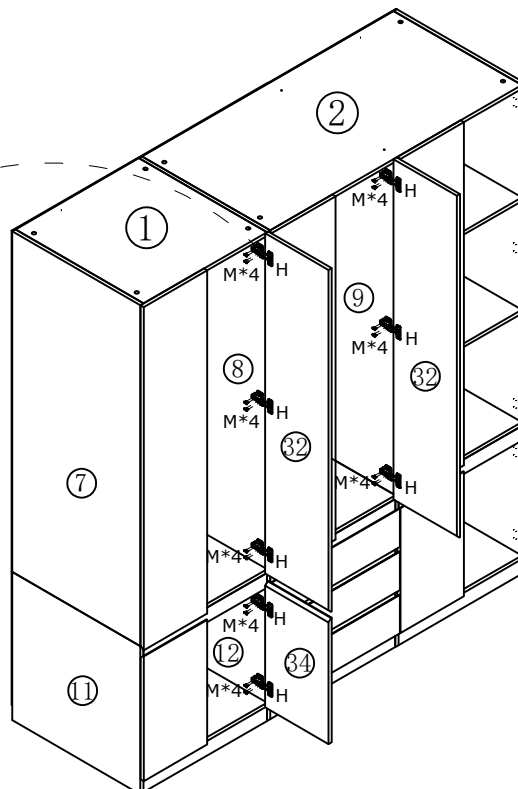
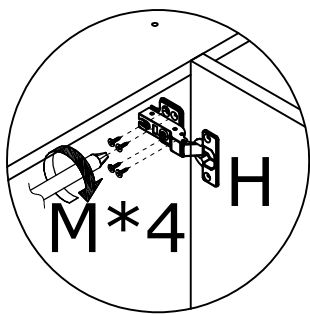
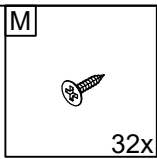


x1

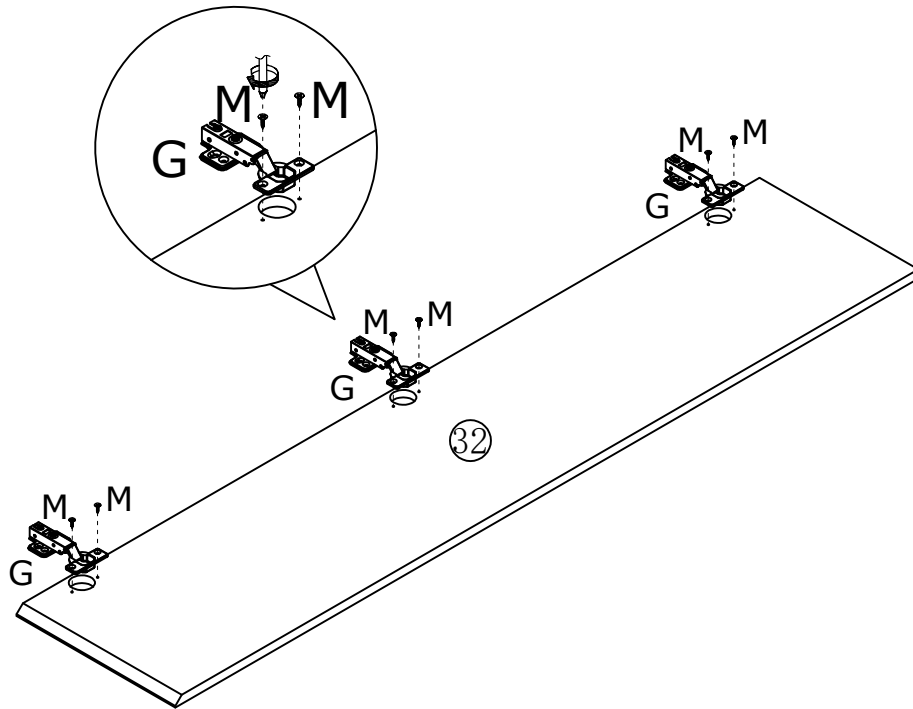
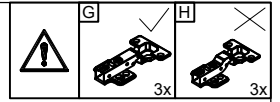
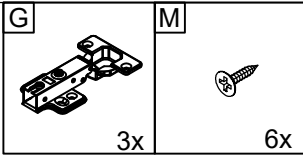


x2

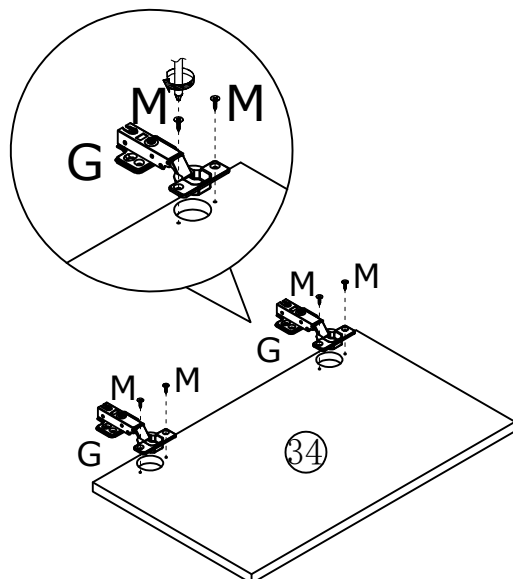
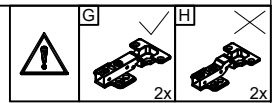
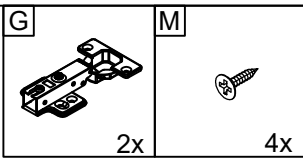
40



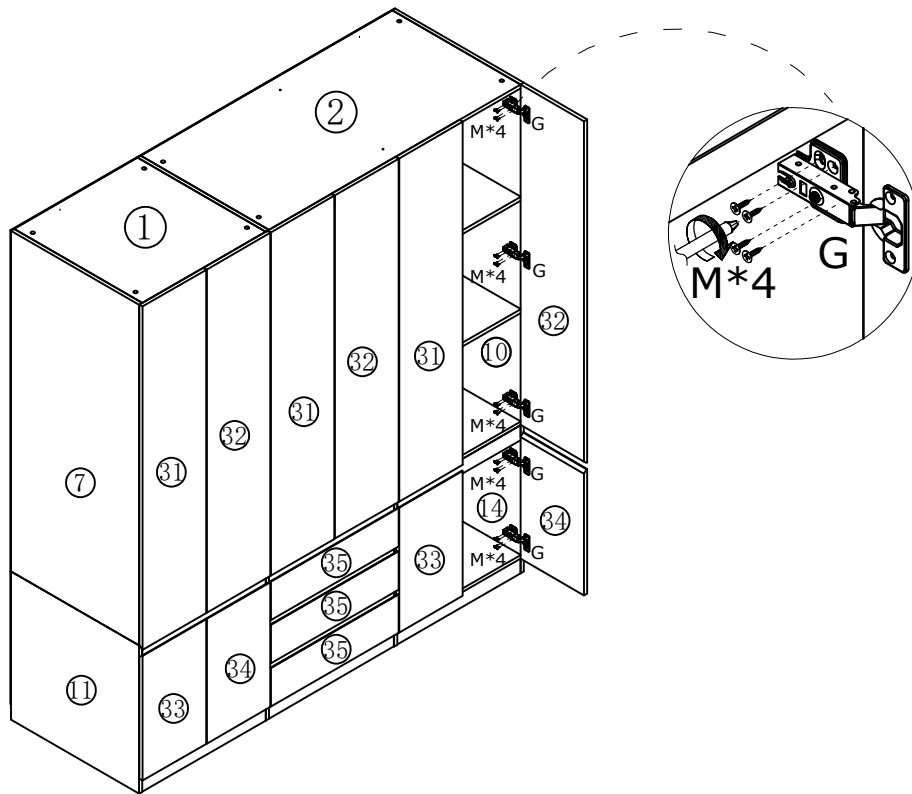
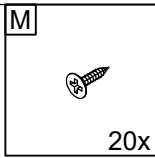
41



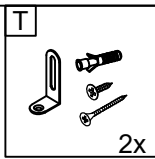
42



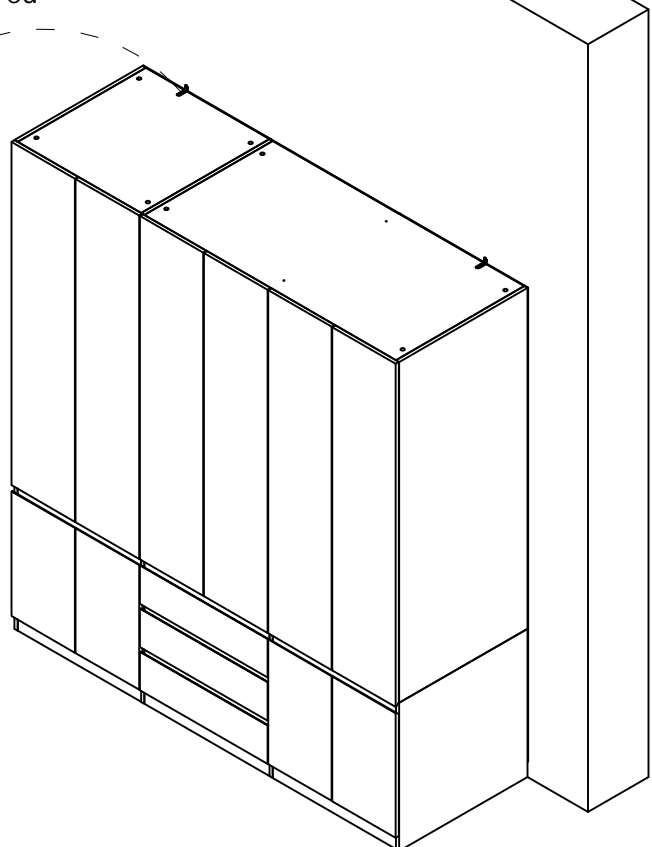
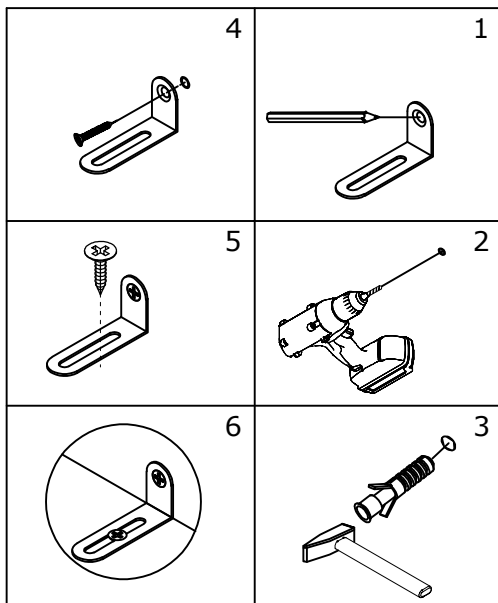
43



44

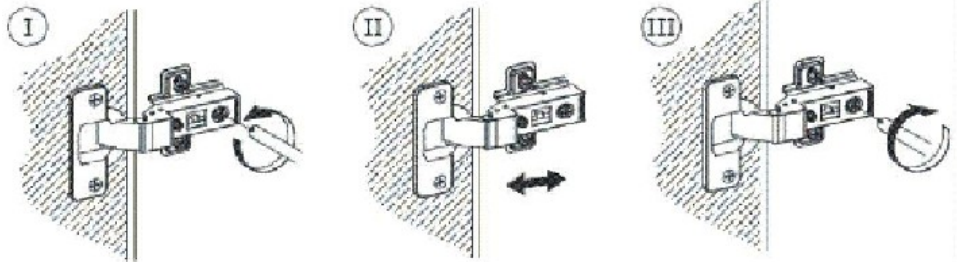
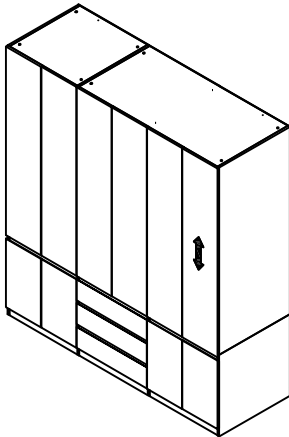


Install the anti-tipping device as shown in the picture
Please note: This device must be installed

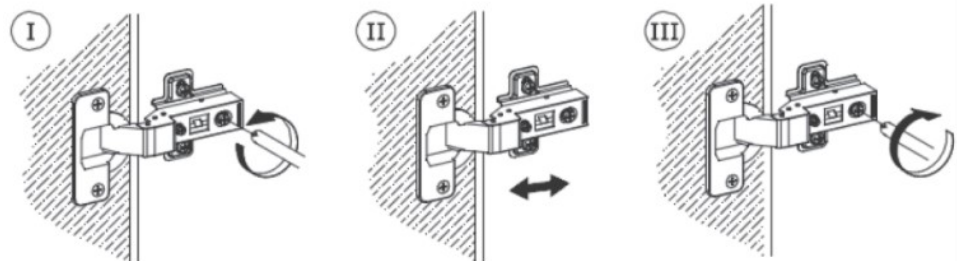
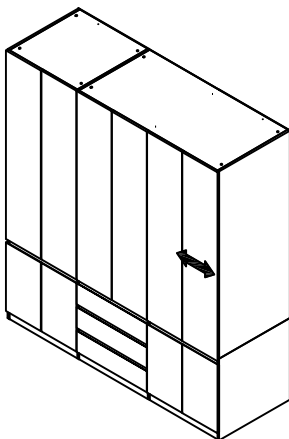


Adjust & Align Door Hinges

Up & Down Adjustment



Left & Right Adjustment



Forward & Back Adjustment

