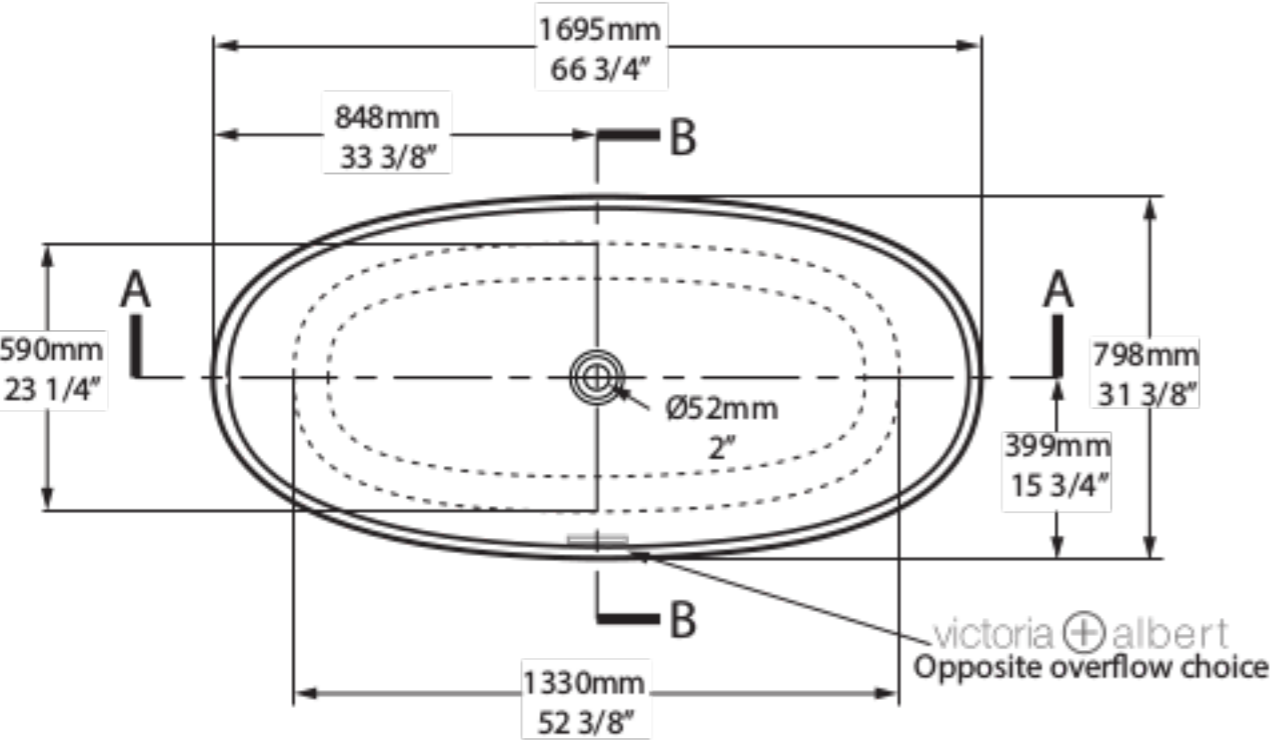


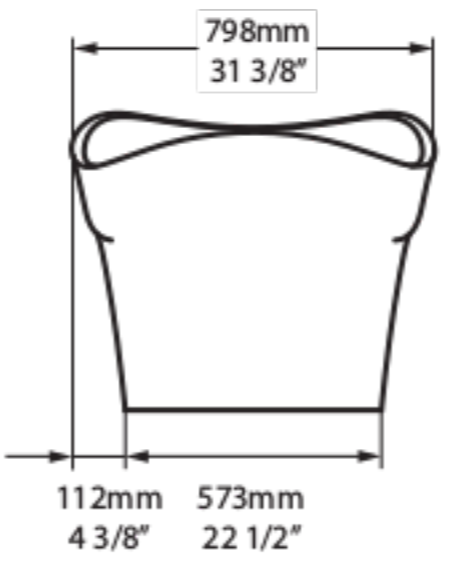
- PES-N-SW-NO   PES-N-xx-NO 
- PES-N-LH-SW-OF   PES-N-LH-xx-OF 
- PES-N-RH-SW-OF   PES-N-RH-xx-OF 



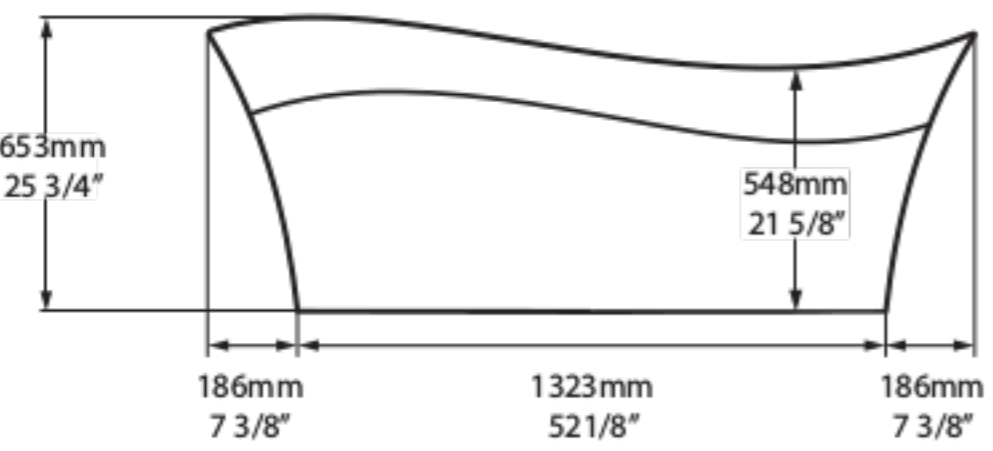
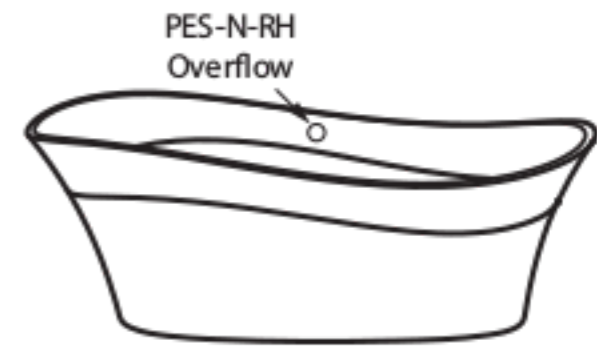
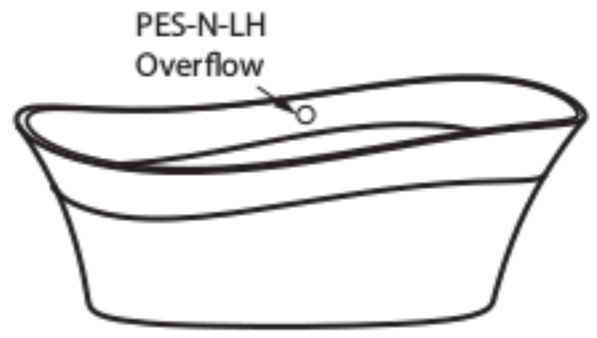
 Massachusetts Code
 cUPC listing by IAPMO
 Registered Design



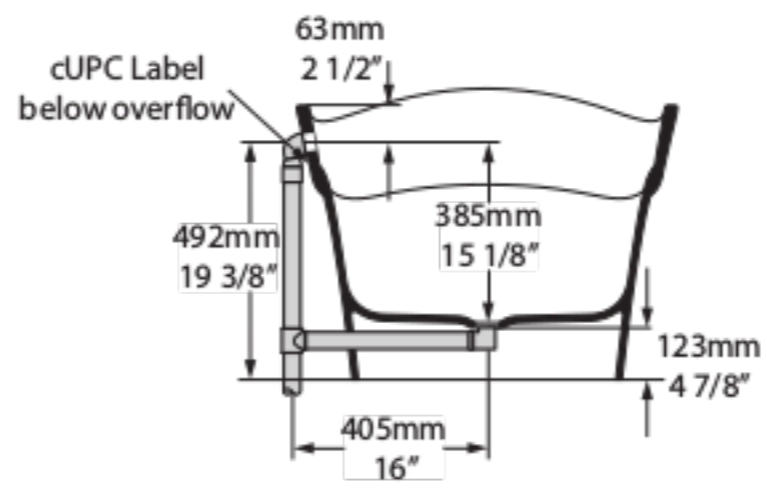
Top View



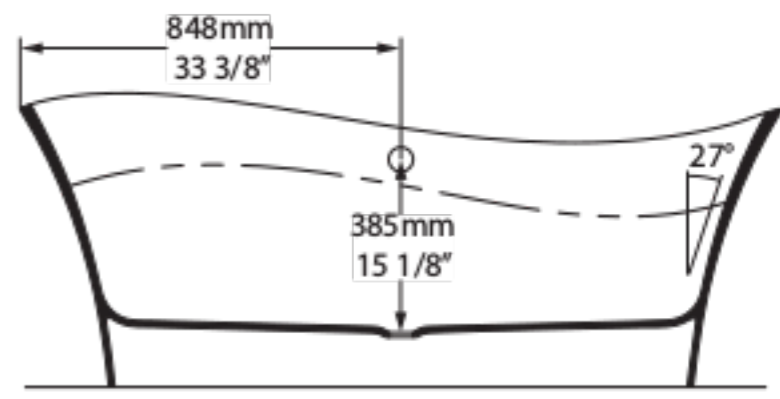
Front View



Side View



Section BB



Section AA

victoria  albert
 Opposite overflow choice