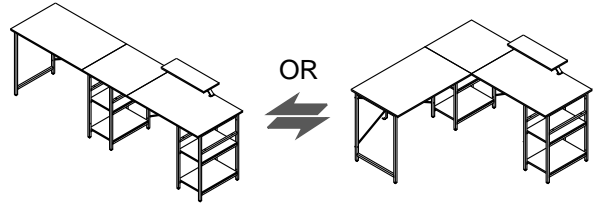


- You can assemble the item as a long workstation for 2 people, or as an L-Shape personal desk, however, the shelves can only assemble on the right side and the center; placing shelves on the right is not possible.



- Do not discard this manual or any of the packaging material until the unit has been completely assembled.



- Please read carefully the assembly instructions before the installation.



- The assembly might require of 2 persons for certain steps. Before you start the installation, make sure there is someone else nearby to help you.



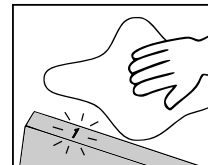
- Scan this QR code to view the complete assembly video online.



- For individual Step videos - please use the QR code found on the corresponding step within the manual.



- After the item is assembled, you can use rubbing alcohol to erase or remove the visible part numbers printed or labeled on the pieces.



- Please be kind to our planet, when done with the assembly, recycle any of the packaging materials that is accepted by your city or recycling service.



Thank you!



Do a quick inventory of all the parts and hardware listed below



Missing, damaged and defective parts can be replaced at no cost to you. Please refer to the last pages on this manual.



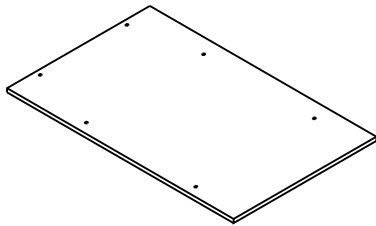
The replacement parts service is limited to the 48 contiguous United States. If you reside in AK, HI, PR, U.S. territories or other countries, please contact the supplier from where the unit was purchased.



MAIN PARTS LIST

1 Left tabletop

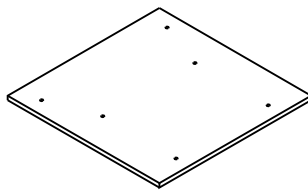
x1



Note the position of the holes are different from panel #3

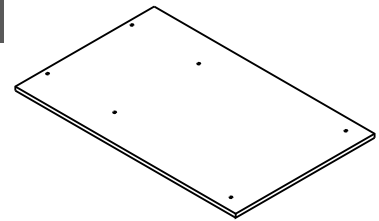
2 Corner top

x1



3 Right tabletop

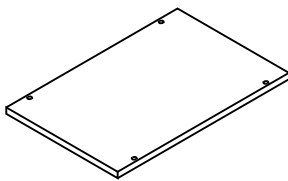
x1



Note the position of the holes are different from panel #1

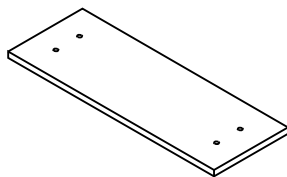
4 Shelf

x4



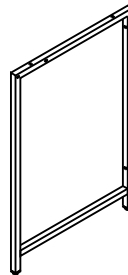
5 Adjustable top shelf

x1



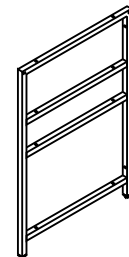
6 Left frame

x1



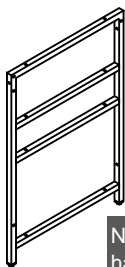
7 Right and center-right frame

x3



8 Center-left frame

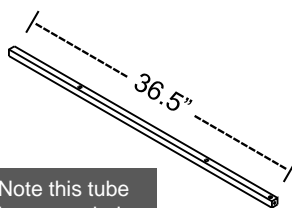
x1



Note this frame has more holes than frame #7

9 Left-top-back tube

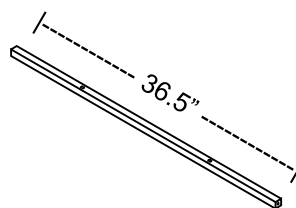
x1



Note this tube has more holes than tube #10

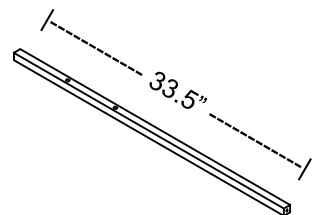
10 Left-top-front tube

x1



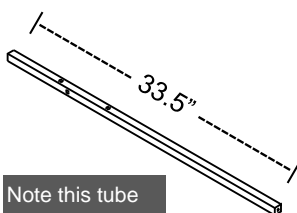
11 Right-top-back tube

x1



12 Right-top-front tube

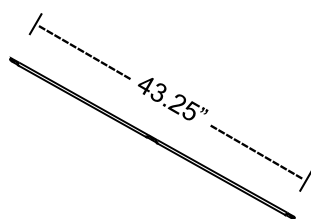
x1



Note this tube has more holes than tube #11

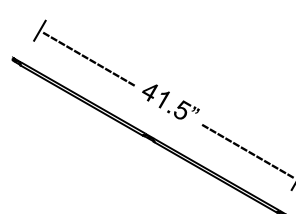
13 Long cross tube

x2



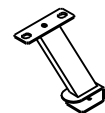
14 Short cross tube

x2



15 Stand support

x2

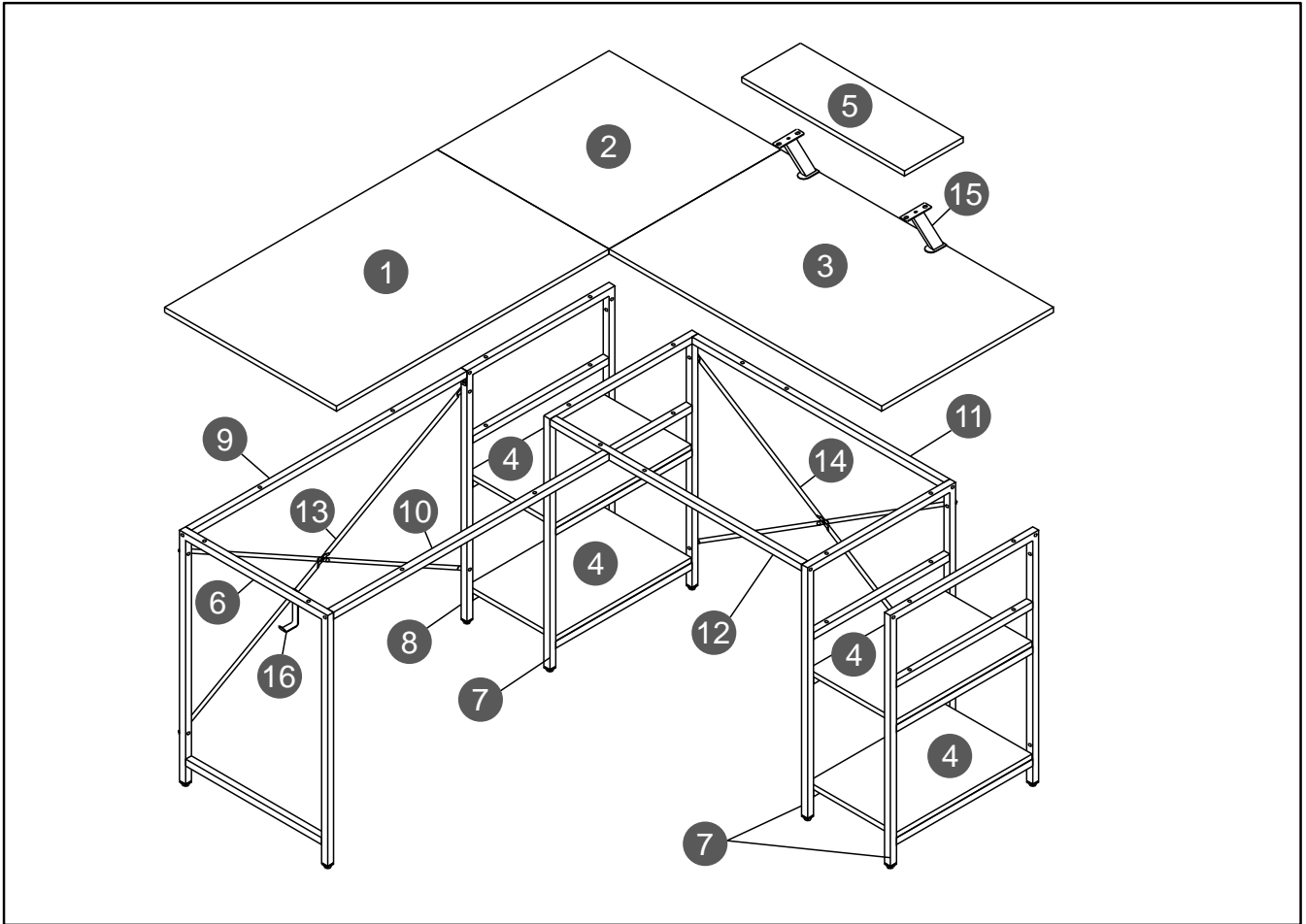


16 Earphoneshook


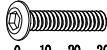
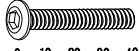


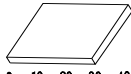
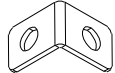
x1






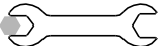
MAIN PARTS LAYOUT (For reference)



HARDWARE LIST

PART	QTY	SIZE	ITEM
A	8	M6x12	 0 10 20 30 40
B	43	M6x30	 0 10 20 30 40
C	7	M6x40	 0 10 20 30 40
D	11	M6/M10 Nut cap	 0 10 20 30 40
E	2	M6, Ø28x21 Screw knob	 0 10 20 30 40
F	2	30x25mm Protector	 0 10 20 30 40
G	1	25x25mm Metal bracket	 0 10 20 30 40

INCLUDED TOOLS

1	M4 Allen Wrench	 
1	M10 Spanner	 

BEFORE YOU START THE ASSEMBLY, PLEASE READ THE FOLLOWING TIPS AND WARNINGS.

- Do not discard this manual or any of the packaging material until the unit has been completely assembled.



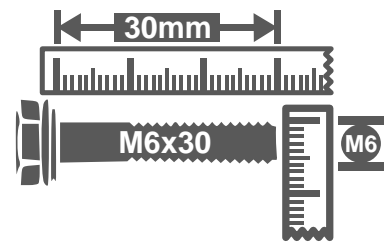
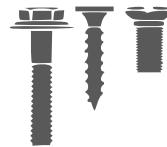
- If during assembly you find an issue or need clarification, please contact our Customer Service for assistance. Please refer to the last pages on this manual.



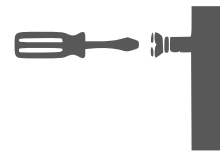
- On each step read the instructions thoroughly and analyze the illustrations before proceeding to do the assembly.
- Follow the instructions step by step and do not skip any unless our Customer Service advises it is OK to do so.



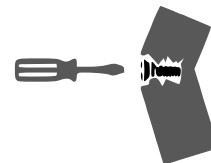
- Make sure you understand which hardware will be used on each step. Using the wrong size of screw, bolt or pin might strip the threads or cause damage to the part in which it is being used.



- To avoid misalignments, always leave the screws loose and tighten them until all pieces are positioned correctly.



- Do not overtighten or force the screws as they might break, strip, damage the threads of the holes or get stuck inside the part.



- If the hole seems too small for the screw, make sure you are using the correct size of screw and/or that you are installing it in the correct hole.



- Sometimes on the panels the laminate or material might be covering the hole partially or entirely. If there is no visible hole or it seems too small, pass and press the tip of your finger over the area where the hole should be located to feel its indentation, and once found, carefully pierce the laminate to uncover the hole underneath.



ASSEMBLY STEPS

STEP 1

Hardware

B		8
	M6x30	Pcs

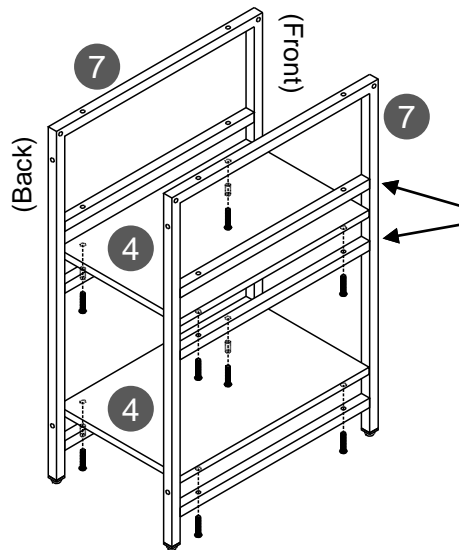
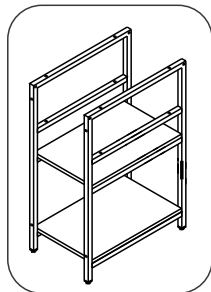
Tools (included)



Scan QR to view step



- Assemble one of the shelves **4** to the bottom bars on the right frames **7** with screws **B** from underneath.
- Assemble another shelf **4** to either set of middle bars on the frames **7** with screws **B** according to your preference, or calculating enough space if you intend to put your CPU unit on the bottom shelf.



The top shelf can be assemble on either set of bars.

STEP 2

Hardware

B		8
	M6x30	Pcs

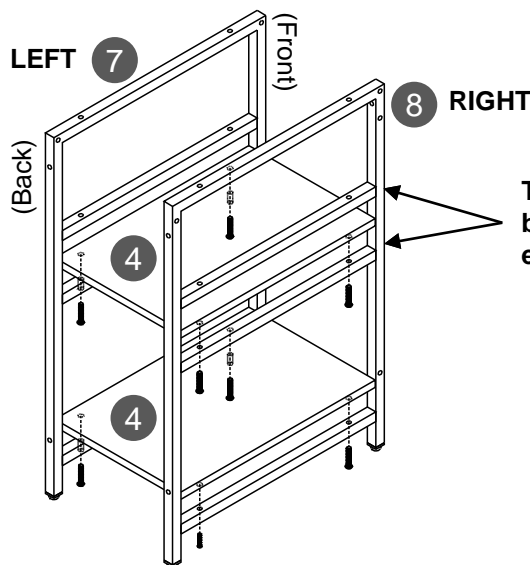
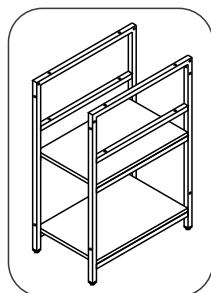
Tools (included)



Scan QR to view step



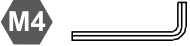
- Assemble another shelf **4** to the frames **7** and **8** with screws **B** from underneath, making sure the frame **7** stays on the LEFT and the frame **8** on the RIGHT.
- Assemble the last shelf **4** to either set of middle bars on the frames **7** and **8** with screws **B** according to your preference, or calculating enough space if you intend to put your CPU unit on the bottom shelf.



The top shelf can be assemble on either set of bars.

STEP 3**Hardware**

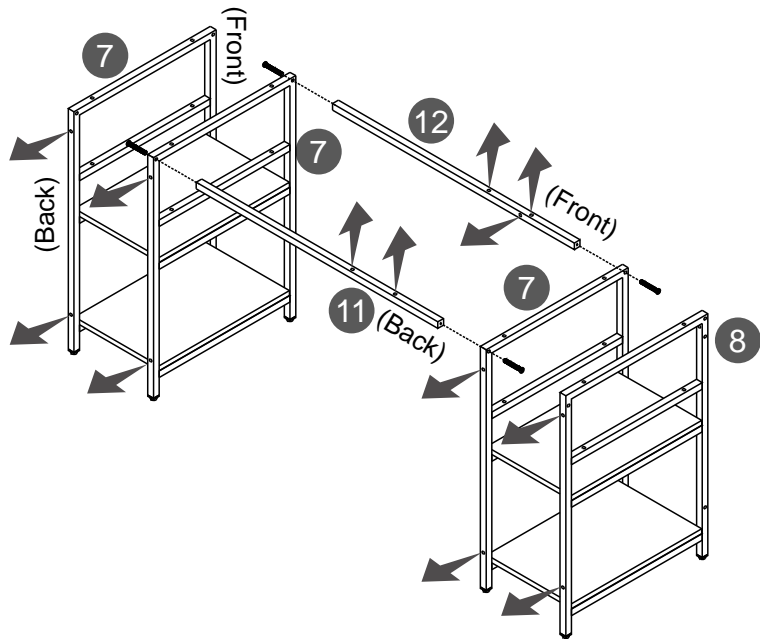
C		4 Pcs
	M6x40	

Tools (included)


Scan QR to view step



- Assemble the right-top-back tube **11** and the right-top-front tube **12** in between the frames **7** in their corresponding positions with screws **C**.
- Pay attention to the orientation of the holes on the frames and tubes.

**STEP 4****Hardware**

A		1 Pcs
	M6x12	

B		4 Pcs
	M6x30	

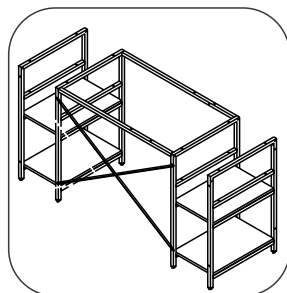
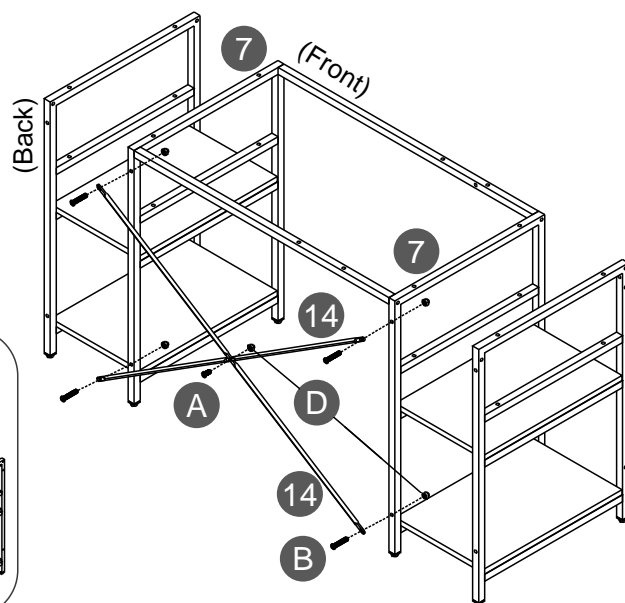
D		5 Pcs
	M6 Nut cap	

Tools (included)

Scan QR to view step




- Join the short cross tubes **14** to each other in the center with screw **A** and nut cap **D**, but leave them loose.
- Attach the cross tubes **14** to the frames **7** with screws **B** and nut caps **D**. The caps go on the inside of the unit.
- Tighten all the screws and nut caps.



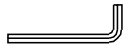
STEP 5

This step requires of 2 persons 

Hardware

B  12 Pcs
M6x30

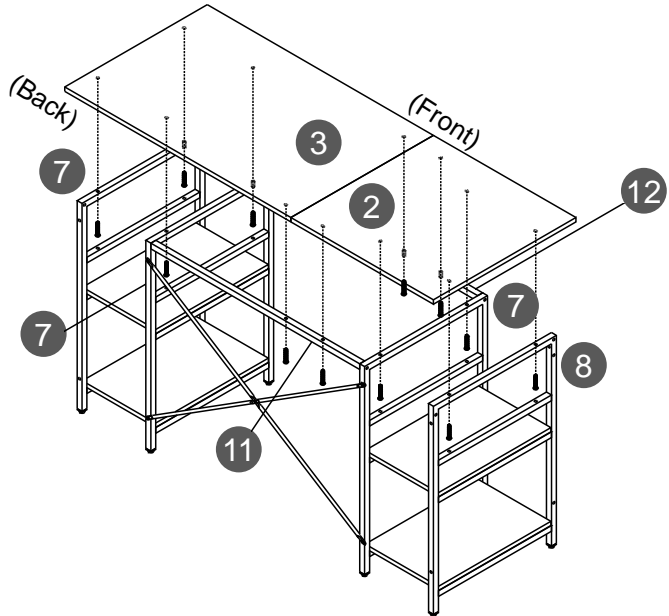
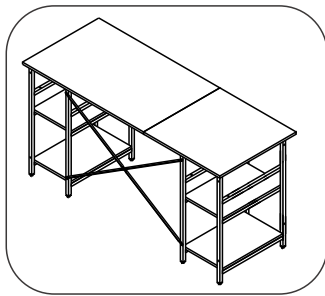
Tools (included)

M4 

Scan QR to view step



- With the help of another person, place the corner top **2** and the right tabletop **3** over the frame, making sure the holes align.
- Secure the tabletops to the frames **7, 8** and the tubes **11** and **12** with screws **B** from underneath, but leave the screws loose to allow flexibility to fix any misalignments.



STEP 6

Hardware

A  1 Pc
M6x12

C  2 Pcs
M6x40

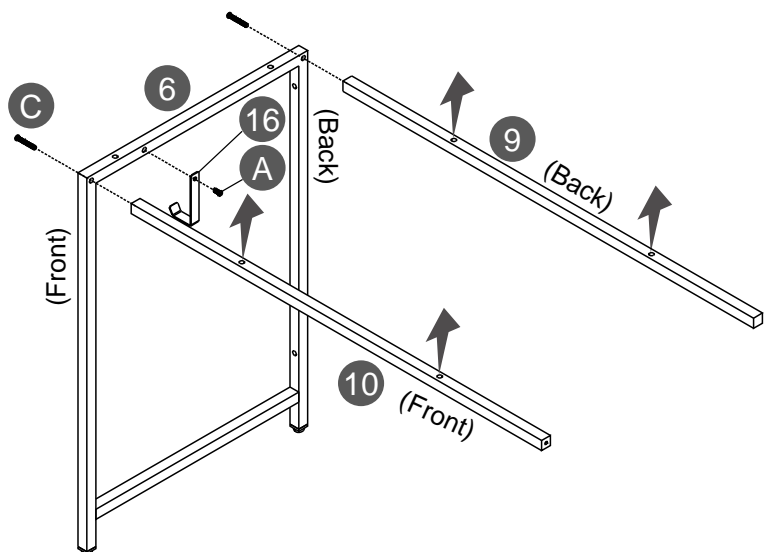
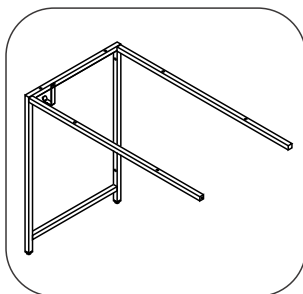
Tools (included)

M4 

Scan QR to view step






- Assemble the left-top-back tube **9** and the left-top-front tube **10** to the frame **6** on their corresponding positions with screws **C**.
- Assemble the hook **16** to the frame **6** with screw **A**. Please note that the hook will be located on the inside of the frame but facing towards the outside.



STEP 7

Hardware

A		1 Pcs
B		6 Pcs
G		1 Pcs

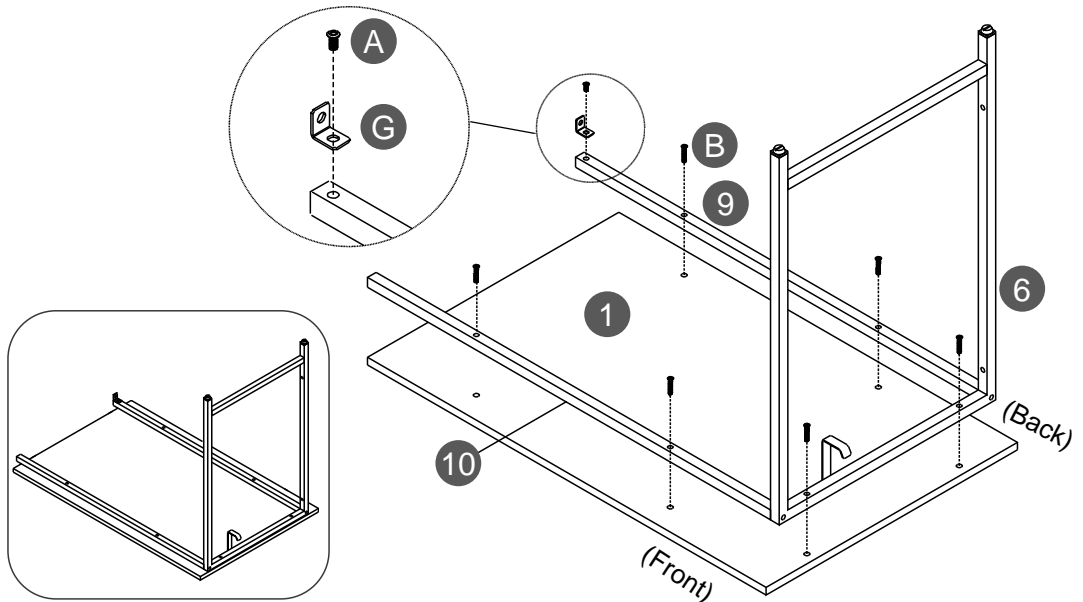
Tools (included)



Scan QR to view step



- With the left tabletop **1** flipped upside-down, assemble to it the tubes **6**, **9** and **10** with screws **B**, but leave the screws loose to allow flexibility to fix any misalignments.
- Attach the bracket **G** to the tube **9** with screw **A**. Make sure to leave the bracket facing towards the outside.



STEP 8

Hardware

A		4 Pcs
----------	---	-------

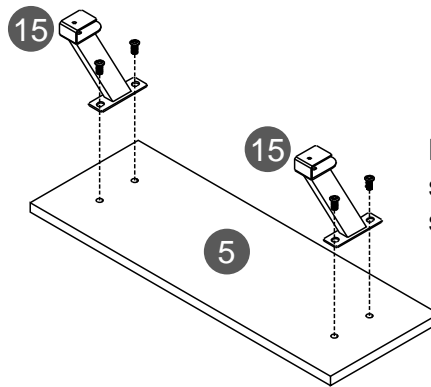
Tools (included)



Scan QR to view step

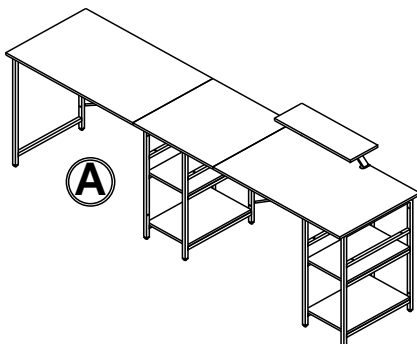


- Assemble the supports **15** to the top shelf **5** with screws **A**.

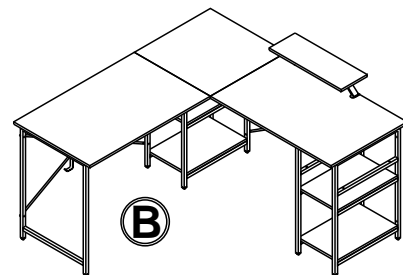


Make sure to attach the supports oriented in the same direction

AT THIS POINT YOU HAVE 2 OPTIONS TO FINISH BUILDING YOUR DESK:



A



B

OPTION A: Straight which allows workspace for 2 persons. Follow steps 9A, 10A and 11A in pages 9 and 10.

OPTION B: L shaped for ample workspace for 1 person. Follow steps 9B, 10B and 11B in pages 11 and 12.

IF YOU ARE ASSEMBLING IN L SHAPE, SKIP PAGES 9 AND 10 AND CONTINUE READING FROM PAGE 11.

STEP 9A

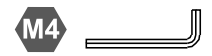
This step requires of 2 persons



Hardware

B		1 Pc
C		1 Pc
D		1 Pc

Tools (included)

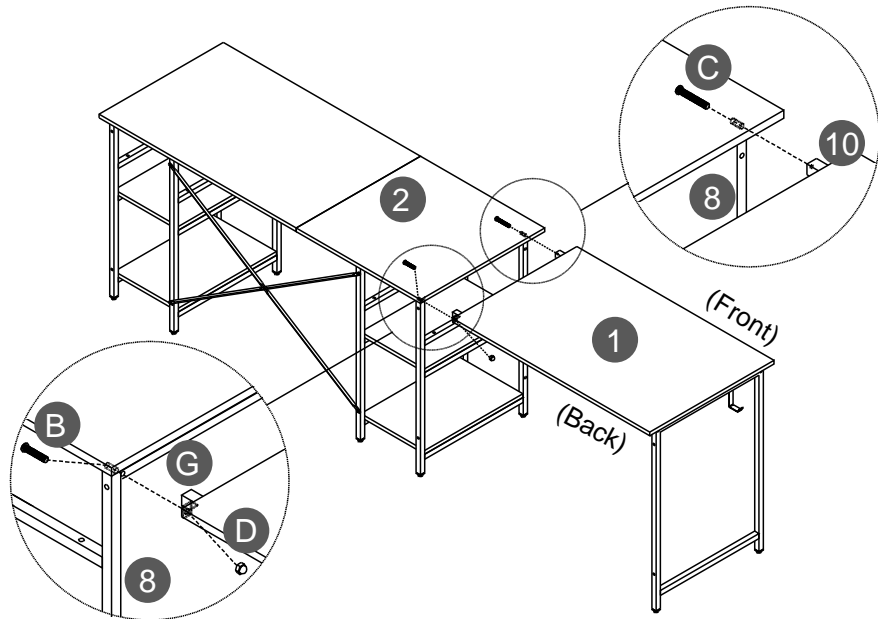


Scan QR to view step



With the help of another person, assemble the left tabletop **1** to the rest of the unit using:

- Screw **B** going through the frame **8** and the bracket **G** on the tube **9** at the back of the unit, and secure with nut cap **D**.
- Screw **C** going through the frame **8** and into the tube **10** at the front of the unit.



STEP 10A

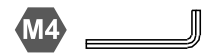
This step requires of 2 persons



Hardware

A		1 Pc
B		4 Pcs
D		5 Pcs

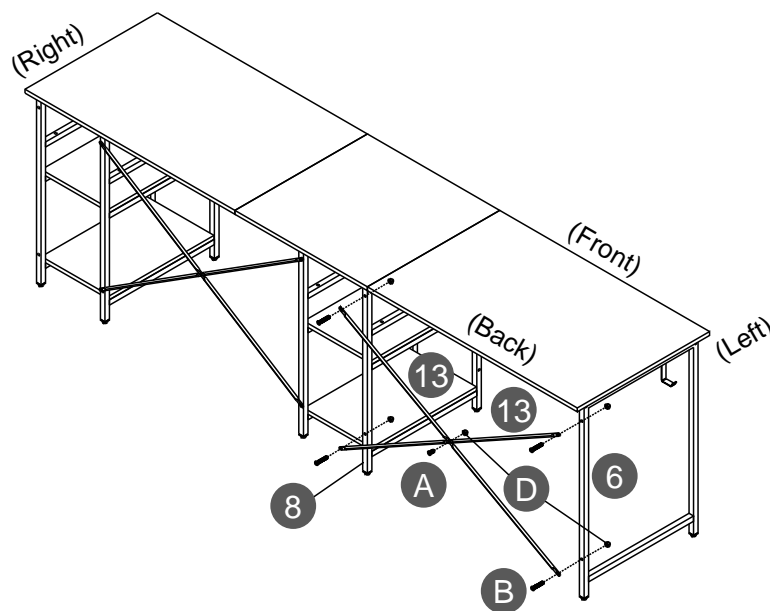
Tools (included)



Scan QR to view step


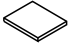


- Join the long cross tubes **13** to each other in the center with screw **A** and nut cap **D**, but leave them loose.
- Attach the cross tubes **13** to the frames **6** and **8** with screws **B** and nut caps **D**. The caps go on the inside of the unit.
- Tighten all the screws and nut caps.



STEP 11A

Hardware

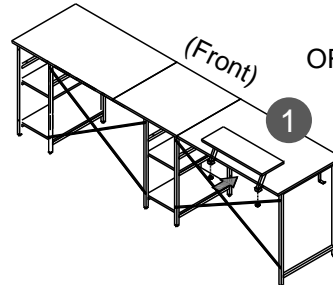
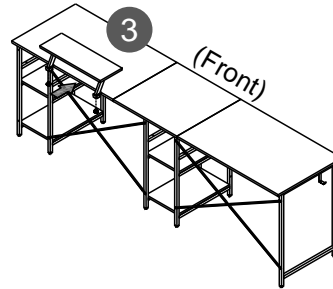
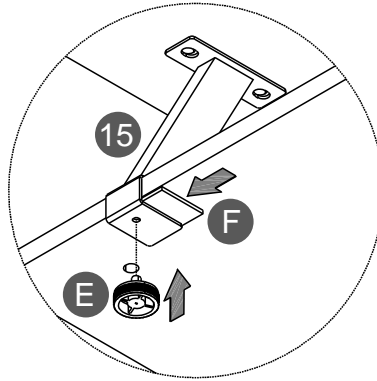
E	 M6 Screw knob	2 Pcs
F	 30x25mm Protector	2 Pcs

Scan QR to view step



- Mount the supports **15** to either tabletop **1** or **3** with the screw knobs **E** and the protector **F**.

ON RIGHT SIDE

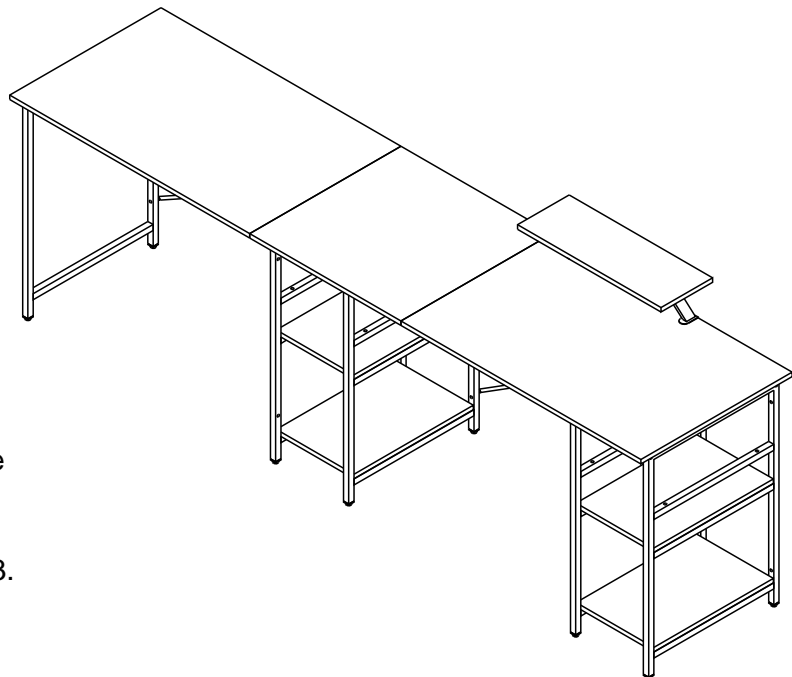


OR ON LEFT SIDE



ALL DONE!

Give yourself a nice pat on the back, you did a great job!
 Skip pages 11 and 12 and continue reading from page 13.



ENJOY YOUR NEW UNIT!



STEP 9B

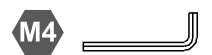
This step
requires of
2 persons



Hardware

B	M6x30	1 Pc
C	M6x40	1 Pc
D	M6 Nut cap	1 Pc

Tools (included)

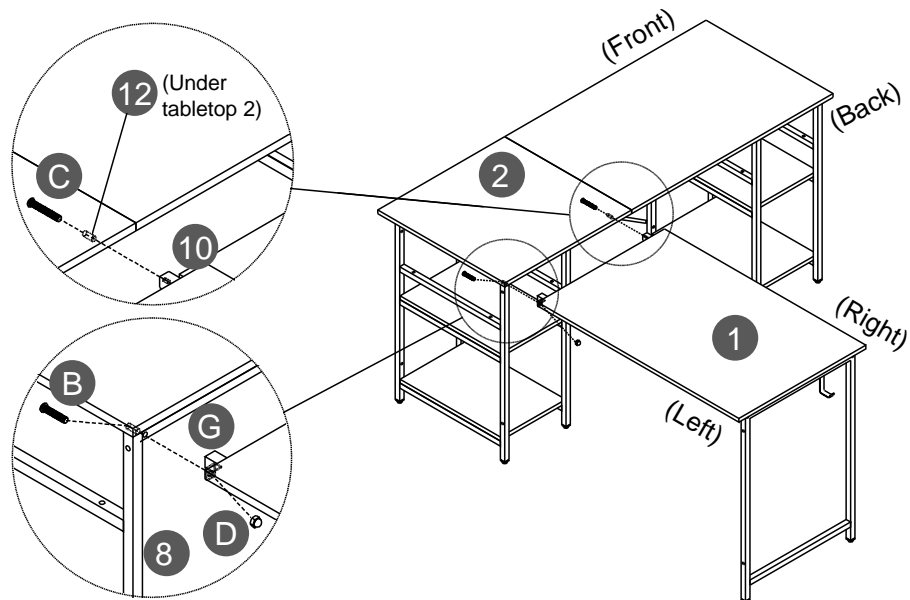


Scan QR to view step



With the help of another person, assemble the left tabletop 1 to the rest of the unit using:

- Screw **B** going through the frame **8** and the bracket **G** on the tube **9** at the back of the unit, and secure with nut cap **D**.
- Screw **C** going through the tube **12** and into the tube **10** at the front of the unit.



STEP 10B

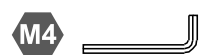
This step
requires of
2 persons



Hardware

A	M6x12	1 Pc
B	M6x30	4 Pcs
D	M6 Nut cap	5 Pcs

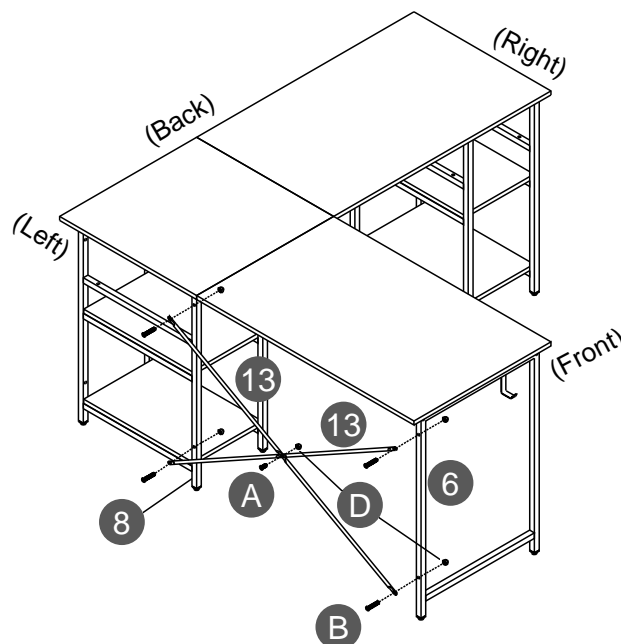
Tools (included)



Scan QR to view step





- Join the long cross tubes **13** to each other in the center with screw **A** and nut cap **D**, but leave them loose.
- Attach the cross tubes **13** to the frames **6** and **8** with screws **B** and nut caps **D**. The caps go on the inside of the unit.
- Tighten all the screws and nut caps.



STEP 11B

Hardware

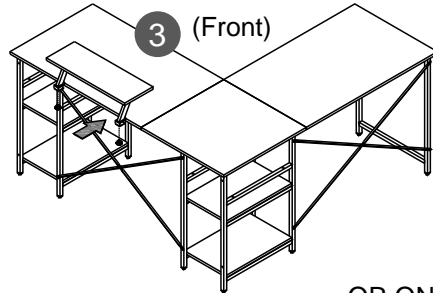
E	 M6 Screw knob	2 Pcs
F	 30x25mm Protector	2 Pcs

Scan QR to view step

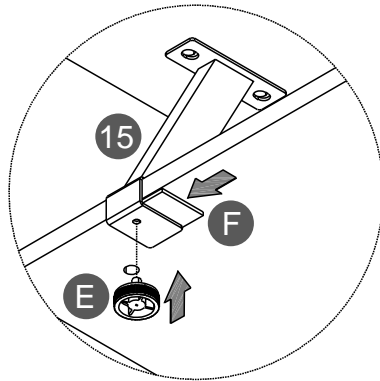
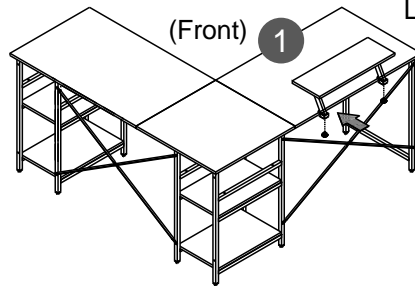


- Mount the supports **15** to either tabletop **1** or **3** with the screw knobs **E** and the protector **F**.

ON RIGHT SIDE

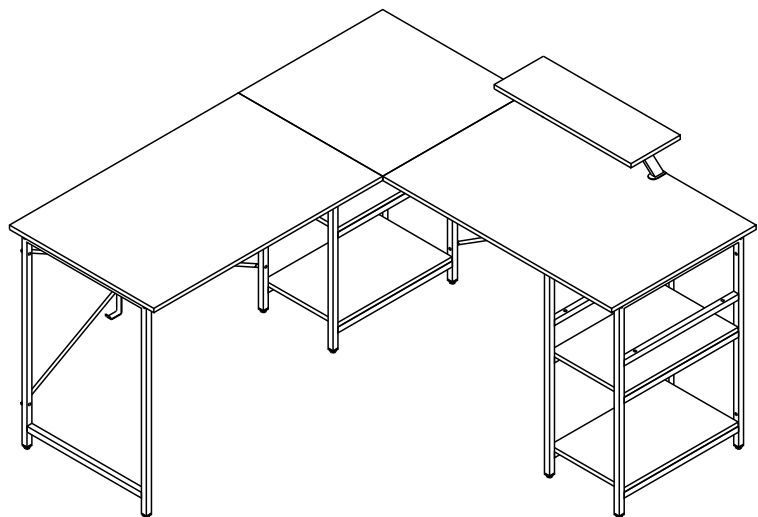


OR ON
LEFT SIDE



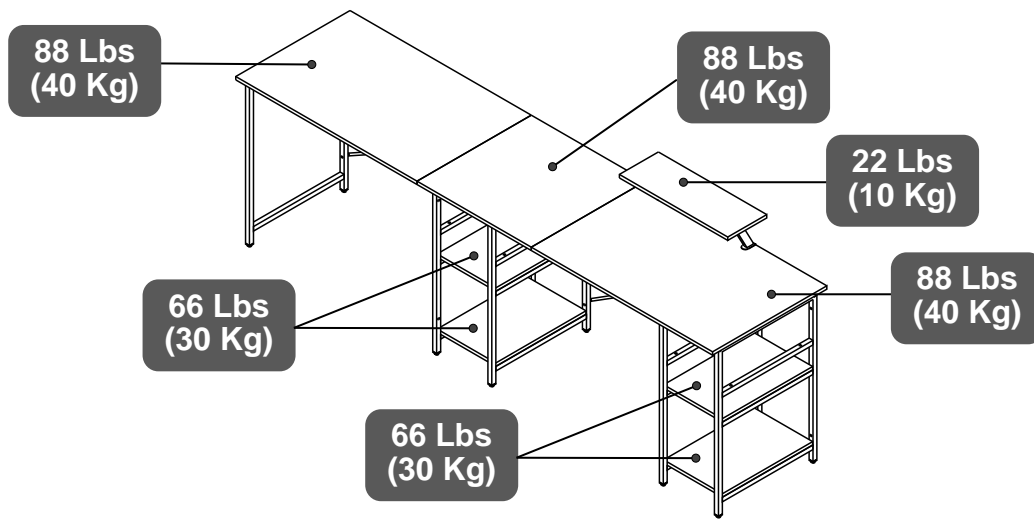
ALL DONE!

Give yourself a nice pat on the back, you did a great job!
Please continue reading the rest of the manual.



ENJOY YOUR NEW UNIT!



WEIGHT LIMITS**WARNINGS**

- Do not exceed the indicated weight limits.
- Do not expose the surfaces to direct sunlight or to extreme environmental conditions.
- Do not use solvents or abrasive materials to clean the unit.
- Do not sit on the unit or lean against it.
- Do not allow small children to play under or over the unit.
- Do not pull, push or drag the unit to move it for more than 1 feet. The unit must be lifted by at least 2 persons when moving in the same or adjacent rooms.
- Before moving the unit, make sure to secure or remove any object that is heavy or might fall off. When lifting the unit, use both hands and bend your knees, not your backs.

CARE AND MAINTENANCE

- Clean the surfaces preferable with a clean cloth damped in a solution of mild soap and water, then dry with a clean towel.
- If you decide to use a cleaning agent, test first on an area hidden from view such as underneath the tabletop.
- Every 4 months, inspect the unit completely and make sure that all screws are tighten.
- When transporting the unit to places far away, protect and secure the unit to avoid damage in transit.
- Shall any part of the unit become defective during the warranty period, replacement parts might be available to you at no charge. Please refer to the last pages on this manual.
- The warranty does not extend to regular wear and tear, nor the manufacturer assumes liability for damages or consequences due to accidents, incorrect assembly, negligence, improper use, modifications, or not heeding the above warnings.

TECHNI MOBILI WARRANTY**DESKS/LAPTOP CARTS/FILE CABINETS: LIMITED 5-YEAR WARRANTY**

RTA Products, LLC warrants to the Original Purchaser who acquired a new product from RTA Products or its authorized resellers that this product will be free from defects in its workmanship and materials, under normal use and service conditions, as described herein. "Defects" as used in this warranty, is defined as any imperfections that impair the use of the furniture or product. RTA Products LLC will replace any defective part, at its discretion, and without charge to the original purchaser other than the freight from the end consumer to RTA Products.

Replacement parts can only be supplied if parts are available. Items out of production may be unavailable. This warranty will be effective for the applicable time period beginning the date of purchase on your original sales receipt. RTA product's obligation under this warranty is limited to repairing or replacing products or parts as provided herein. This product has been designed for and is intended for office and home-office use only. This warranty is Original Purchaser's sole remedy for product defects, and this warranty does not extend to any product, or damage to any product, caused by or attributed to abuse or misuse, products used for commercial or rental purposes, use modifications of, or attachments to the product, and products or parts not used, maintained, or extended hereunder is in lieu of any and all other warranties, express or implied, including without limitations any implied warranty or merchantability or of fitness for a particular purpose. Please note, all desks made with PVC Laminate surface should not be exposed to direct sunlight, as it may damage the material. Damage of this nature is not covered under this warranty.

RTA Products will not be responsible for indirect, special, incidental or consequential damages. This warranty is limited to merchandise purchased in the Continental United States, excludes AK, HI and PR. Some States do not allow the exclusion or limitation of incidental or consequential damages, so the above limitations or exclusions may not apply to you. This warranty gives you specific legal rights. You may also have other rights that may vary from state to state.

RTA Products will advise you of the procedure to follow in making warranty claims. The following are the procedures for warranty claims:

- a. Call us Monday – Friday, from 9am-5pm (Eastern Time) at (866) 782-5520 to explain the defect and give your name, address and phone number. Please have ready the model number of our product, date and place of purchase. You can also write to us by e-mail to warranty@rtaproducts.com and include the same information.
- b. If we determine that replacement will remedy the situation, and in order to determine the extent or the cause of the defect, purchaser will need to send the part in question at purchaser's expense. Once we receive the part, we will examine it and determine whether the claim is valid (or not), and then proceed to send the replacement. We will ship the replacement at our expense.