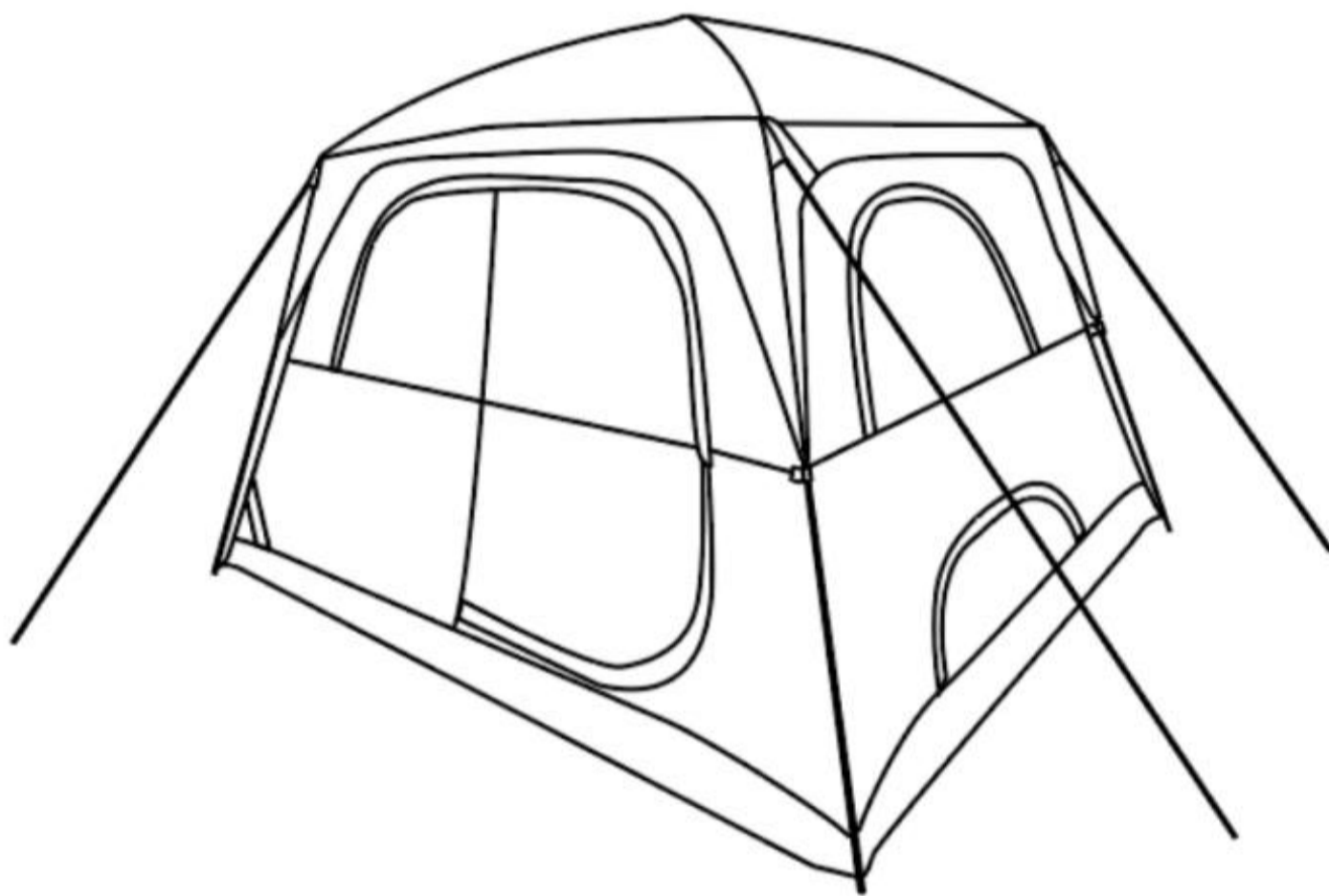




Assembly & instruction Manual

SPU:SPC000175



118.11inch X 102.36inch X 72.83inch camping tent

Thank you very much for choosing **cobizi's** camping tents, after opening the box, please check the following accessories to see if they have their full, any problems with the product, please contact our service email!

Team mailbox: service@cobiziofficial.com

Have a nice trip !

Part & Accessories

NO	A	B	C	D	E	F	G	H
LIST	Long Frame Tube A	Short Frame Tube B	Steel Pole C	Rope	Steel Peg	Tent	Rain Fly	Bag
QTY	2 PCS	1 PC	4 PCS	4 PCS	10 PCS	1 PC	1 PC	1 PC

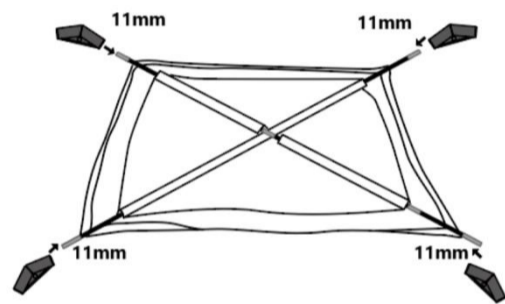
SET UP

Step 1



Assemble the tent poles.

Step 2



Put the tent poles(A) to the body of the tent through the sleeves ,forming an "x" shape over the tent.And connect the pole to the Hub (11mm hole).

Step 3



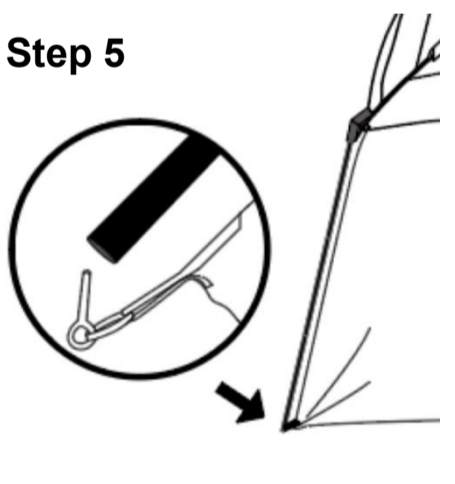
Thread the pole (B) through the pipe cloth and secure it with copper buckles at both ends.

Step 4



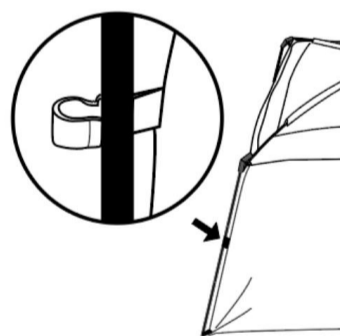
Connect the four steel poles (C)to the Hub (19mm hole) in sequence.

Step 5



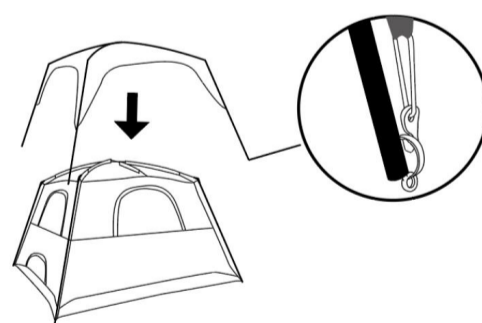
Insert the single rod into the steel pole one by one.

Step 6



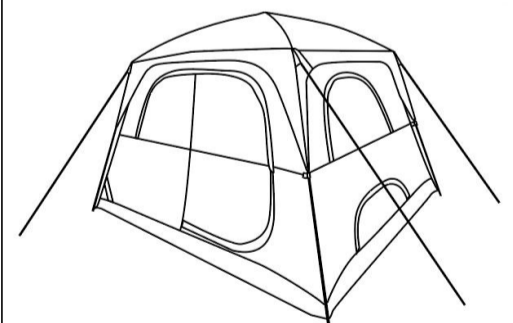
Clip plastic tent clips to the steel poles.

Step 7



Put the outer tent on top of the inner tent and connect it with an "S"hook.

Step 8



Tie out the rain fly sides using the webbing loops, fix the guy lines with tent peg.

Made in China

Warning: To avoid the potential dangers of suffocation , please keep all parts and packaging away from babies and children .