

# COFFEE TABLE

---

## ASSEMBLY INSTRUCTION



# Assembly Instruction

**ASSEMBLY TIPS:**

1. Remove hardware from box and sort by size.
2. Please check to see that all hardware and parts are present prior to start of assembly.
3. Please follow attached instructions in the same sequence as numbered to assure fast & easy assembly



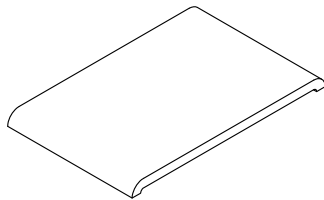
**Warning !**

1. Don't attempt to repair or modify parts are broken or defective. Please contact the store immediately.
2. This product is for home use only and not intended for commercial establishment.

**PARTS LIST:**

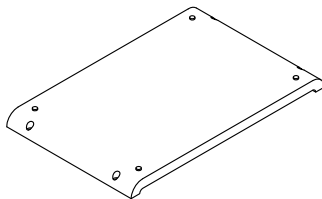
A. Top

1PC



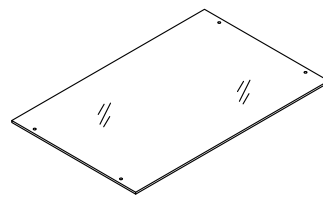
B. Base

1PC



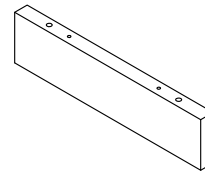
C. Glass

2PCS



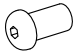




D. Side panel

4PCS

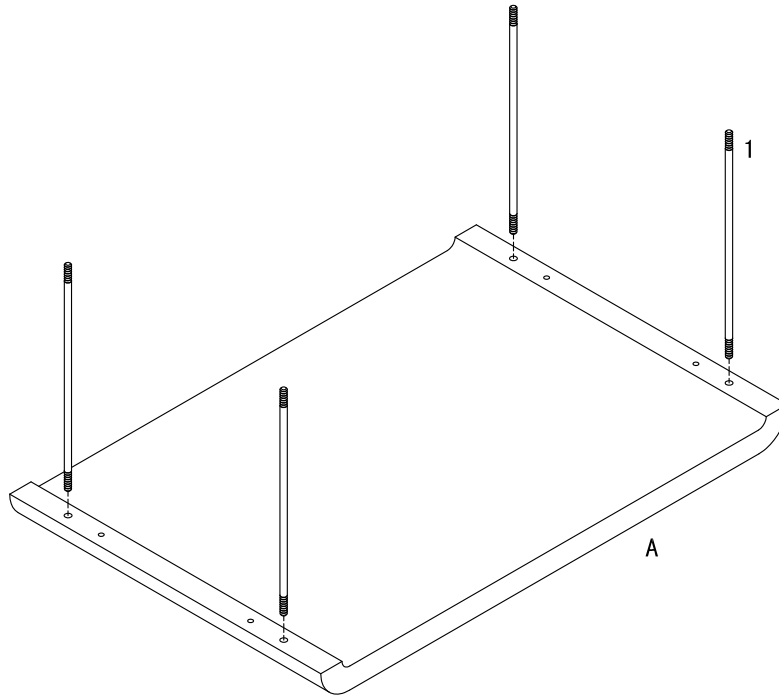


**HARDWARE LIST:**

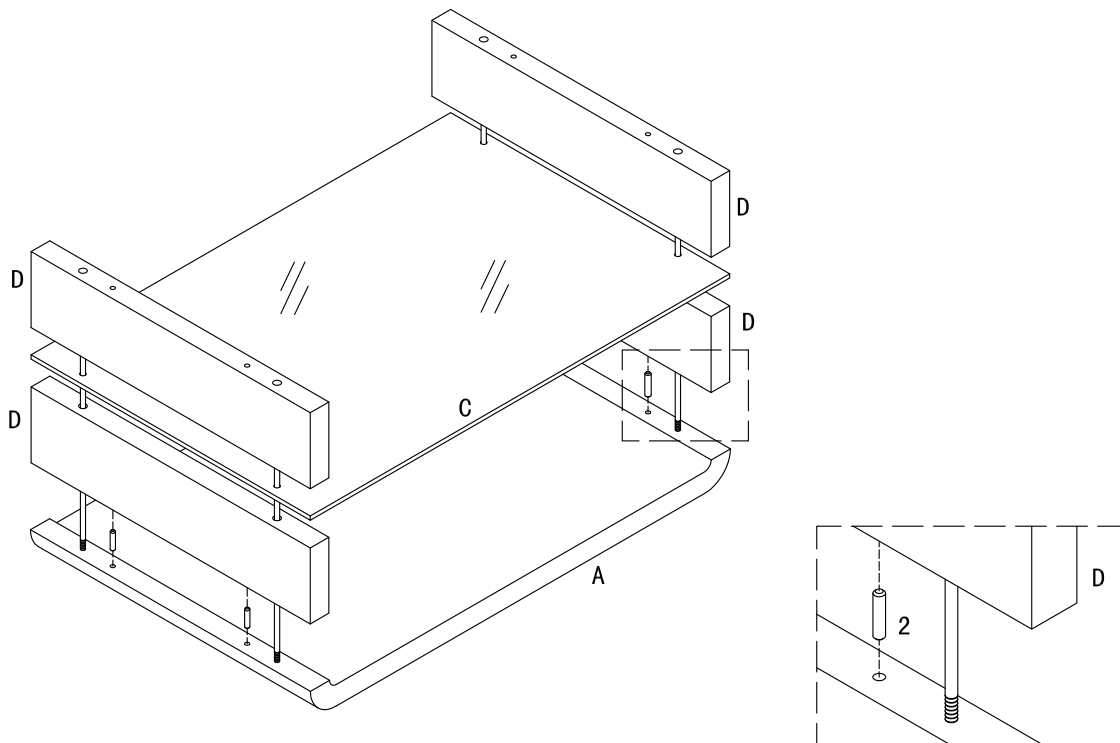
NO.	DESCRIPTION	FIGURE	QTY
1	M8*330 ROD		4PCS
2	∅8*30 WOOD DOWEL		8PCS
3	ROD NUT		4PCS
4	WASHER		4PCS
5	M5 ALLEN WERNCH		1PC

It need two persons and takes about fifteen minutes to assemble the item.

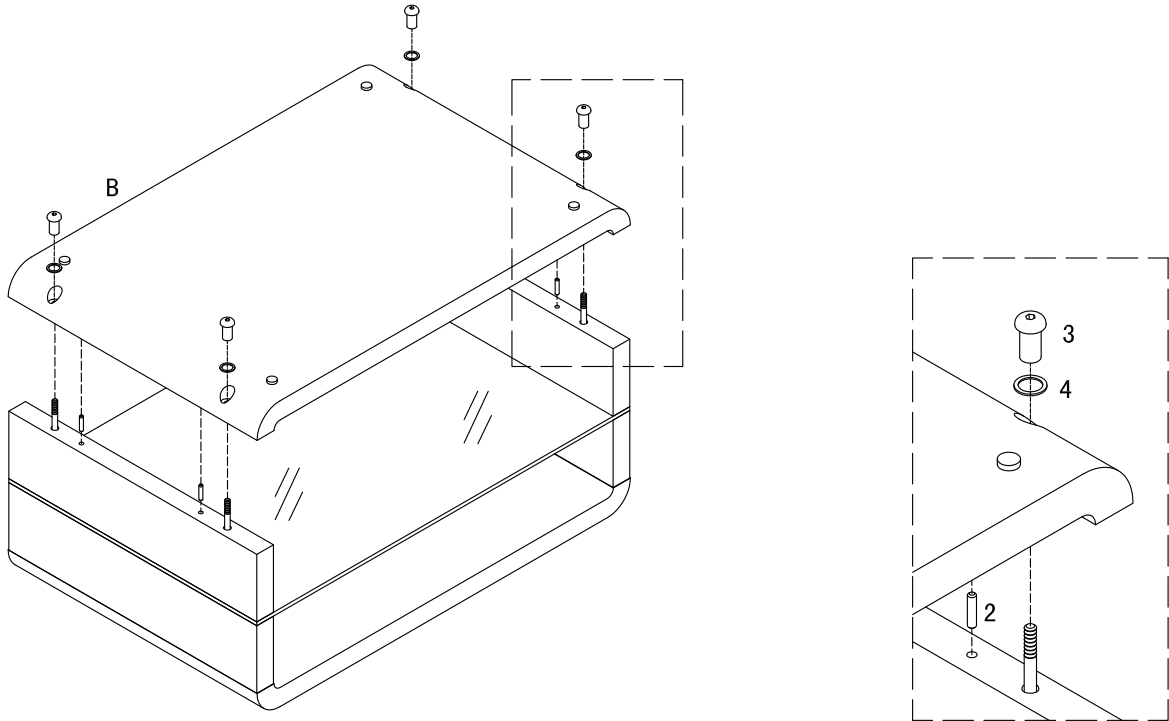
STEP 1: Insert and seare rod(1) to the top (A) by turning clock wise.



STEP 2: Put two pieces of side panels(D) to the top (A) through the rod(1). Fixed side panels(D) to the top (A),using wood dowel(2). Then put the glass(C) and other two pieces of side panels(D) through the rod(1) as show in the figure.



STEP 3: Lock the base (B) to the side panels (C), using wood dowel (2), rod nut (3), washer (4) and allen wrench (5).



STEP 4

