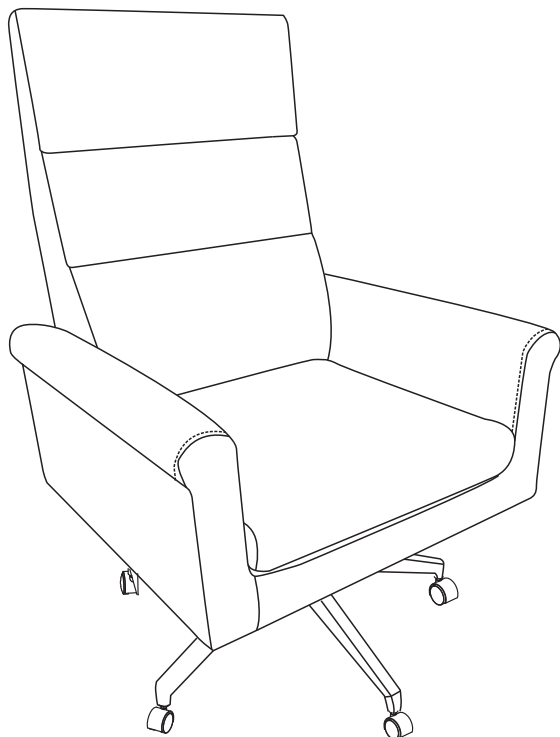


Owner Manual



Weight Capacity
300 LBS



Installation:
15minutes.



One Person

Thank You For Choosing Our Furniture

▾ If you have any questions or concerns,
don't hesitate to reach out to us. ▾

NOTE:







This brochure contains
IMPORTANT safety info.
Please read and keep it
for future reference.

MAINTENANCE AND WARNINGS



Before You Start

Please follow the steps below:

-  Un box the package and check if all parts and accessories are complete.
-  Place the parts of the chair on a flat surface.
-  Ensure the chair is placed on a stable, flat surface to prevent it from tilting.
-  Avoid placing sharp or heavy objects directly on the chair to prevent tears or deformation.
-  Clean the installation area in advance and ensure the ground is level and there is enough space to avoid damaging the furniture or making installation difficult.
-  Lay a protective mat on the ground to prevent scratching the floor during installation.

After-Sales Service

- If you encounter any issues or need technical support during use, please contact our after-sales team. We offer long-term maintenance and warranty services.



Precautions

- ⚠ This product is for indoor use only. Do not expose it to outdoor elements or high-humidity environments.
- ⚠ Keep the product away from high heat or open flames to prevent fire hazards.
- ⚠ Do not allow children to climb on the product, as this may cause tipping and result in personal injury.



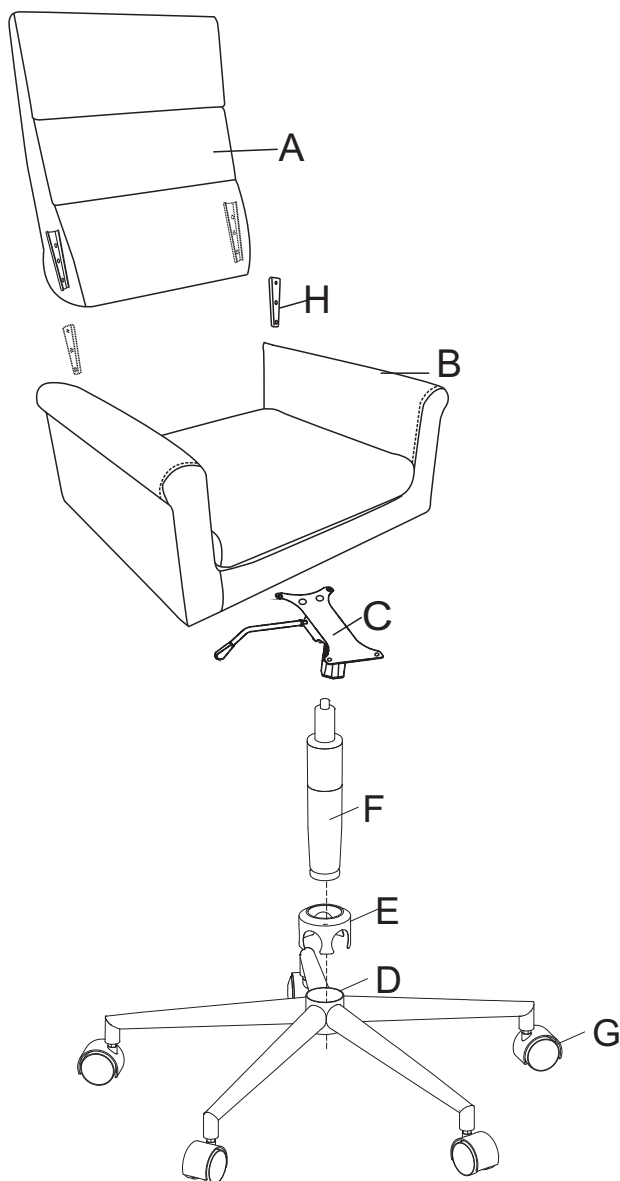
Safety Warnings

- ⚠ If you notice any loose or damaged parts, stop using the product immediately and contact customer service.
- ⚠ Do not attempt to disassemble or replace any components yourself, as this may affect the stability and safety of the product.


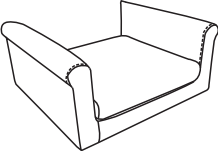
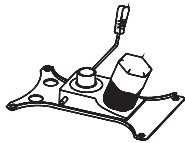
Daily Maintenance

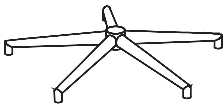


- Regularly clean the surface with a soft cloth to prevent dust accumulation.
- Do not use cleaning agents containing acids, alkalis, or corrosive substances, as they may damage the surface. It is recommended to use neutral cleaning agents or specialized furniture cleaners.
- Avoid exposing furniture to humid environments for extended periods. Use a dehumidifier or desiccant during humid weather.
- Avoid direct contact of furniture with water. If water is accidentally spilled, wipe it dry immediately.
- Avoid placing excessively heavy objects on the furniture: ensure the weight is within a reasonable load-bearing range.
- Avoid using sharp or rough items on the furniture surface to prevent scratches. Handle items gently when moving them.

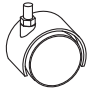
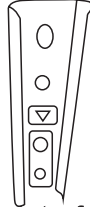
Explosive view





Parts List

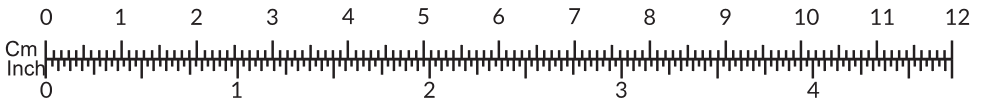
<p>A x1</p>  <p>Backrest</p>	<p>B x1</p>  <p>Seat Frame</p>	<p>C x1</p>  <p>Mechanism</p>
---	---	--

<p>D x1</p>  <p>Spider base</p>	<p>E x1</p>  <p>Metal base cap</p>	<p>F x1</p>  <p>Gas lift</p>
--	---	---

<p>G x5</p>  <p>Casters</p>	<p>H x2</p>  <p>Plug interface</p>	
--	---	--



Hardware List

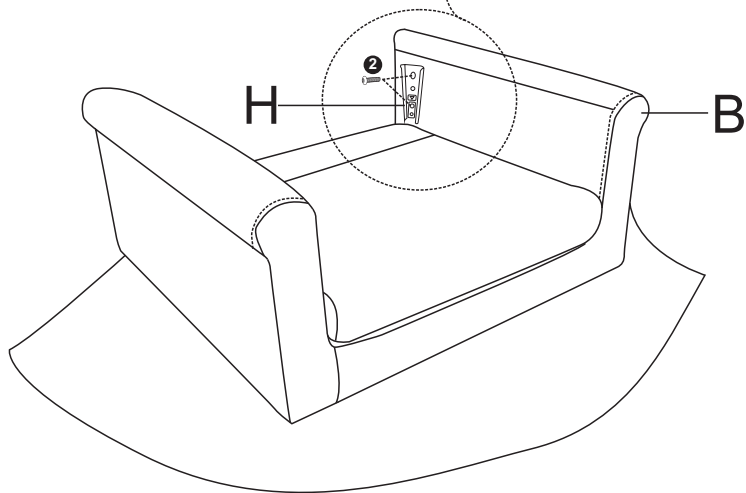
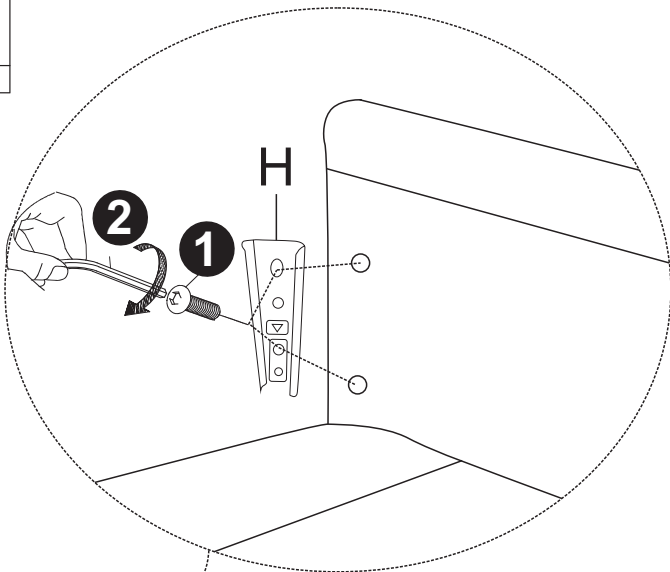
<p>① x (8+1)</p>  <p>Ø6x20mm</p>	<p>② x1</p>  <p>M6</p>	
---	---	--





Note: Before installing the screws, please first distinguish the length of the screw rods.

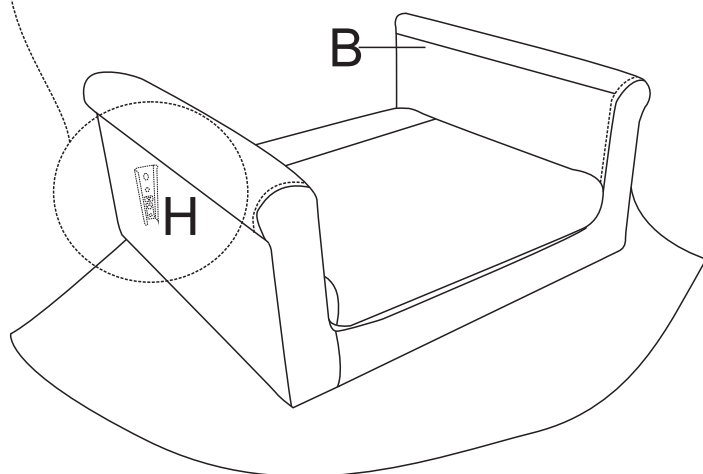
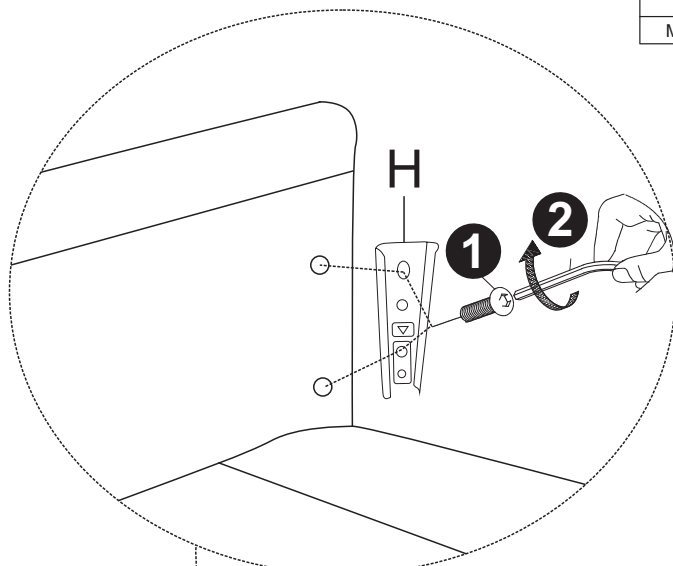
Step 1

1	x2	2	x1
			
M6*20mm		M6	

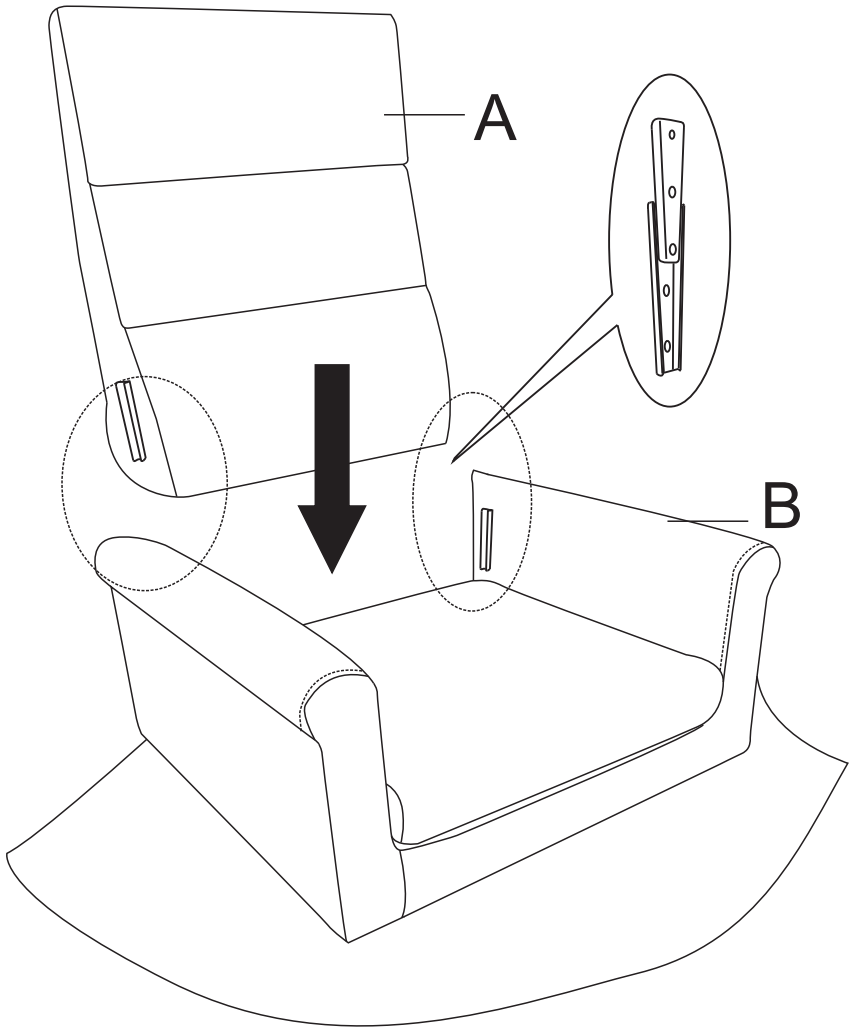


Step 2


1	x2
	
M6*20mm	
2	x1
	
M6	




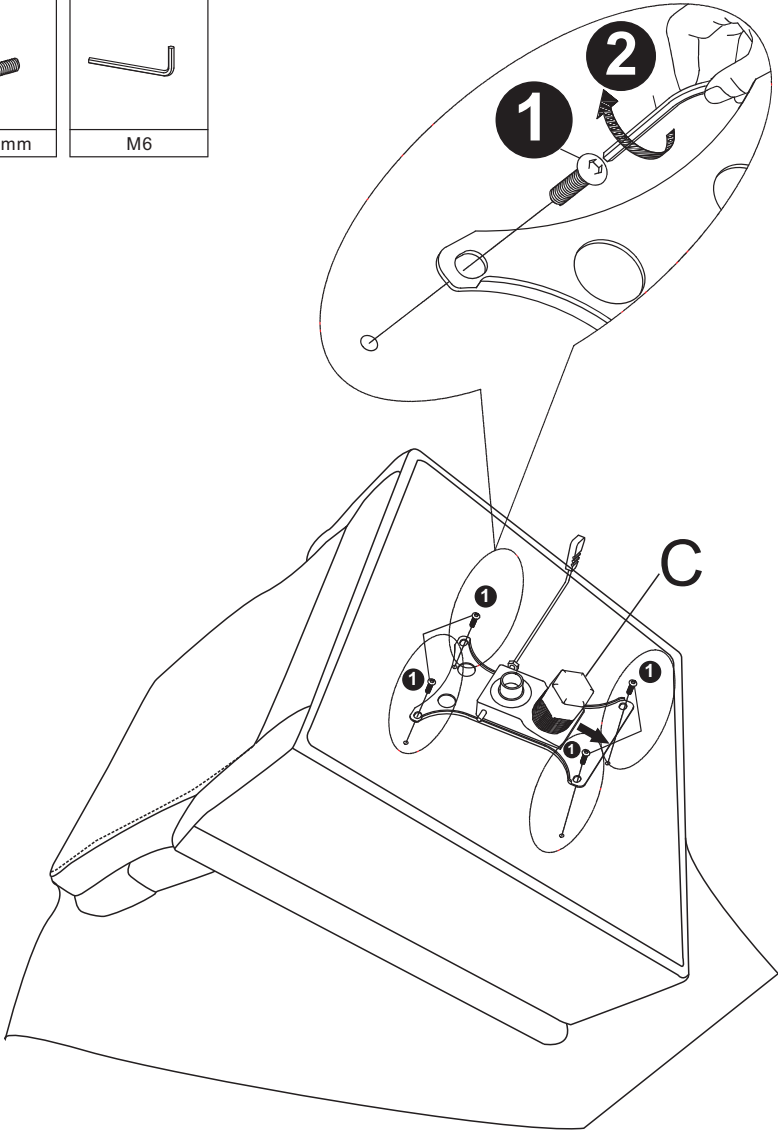
Step 3



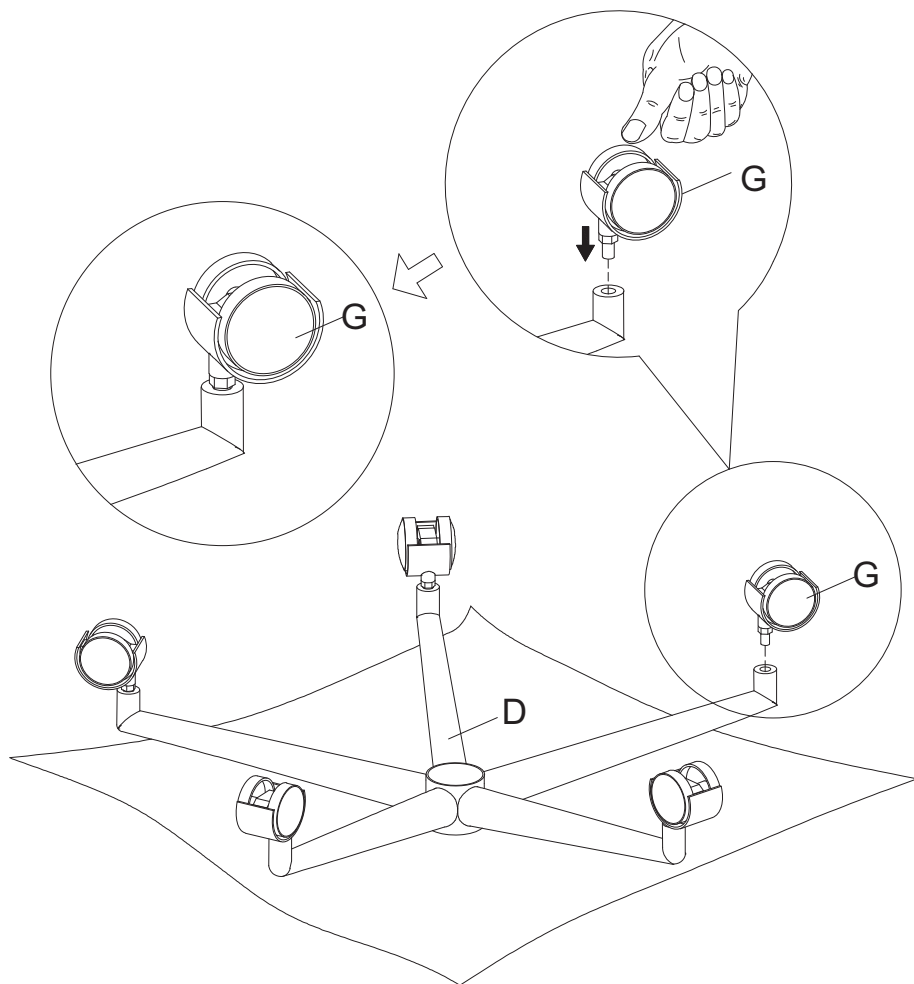
Step 4

1	x4
	
M6*20mm	

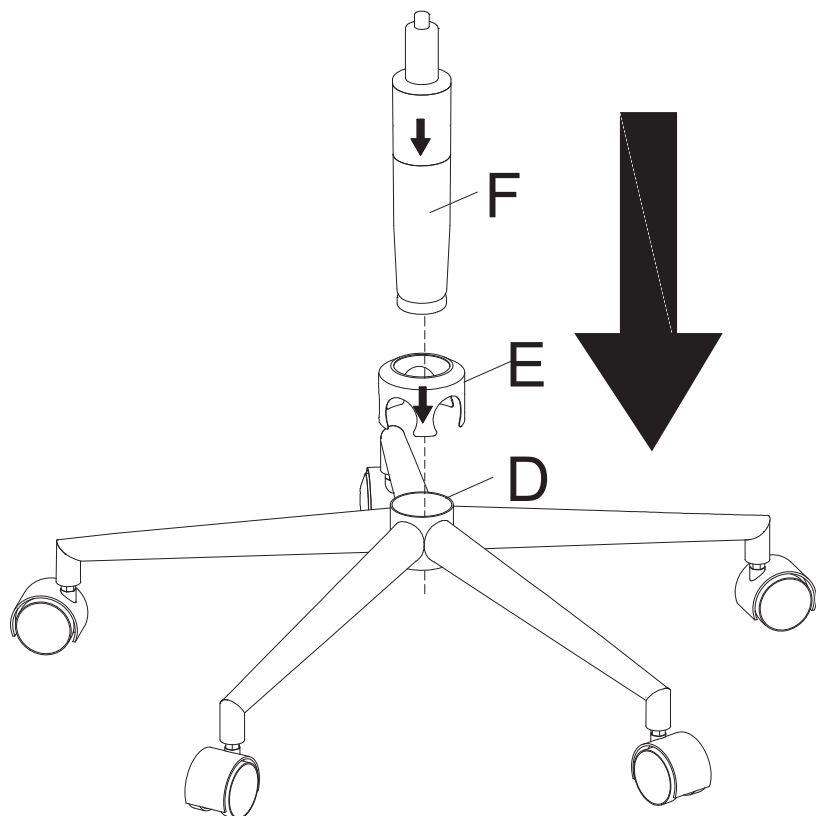
2	x1
	
M6	



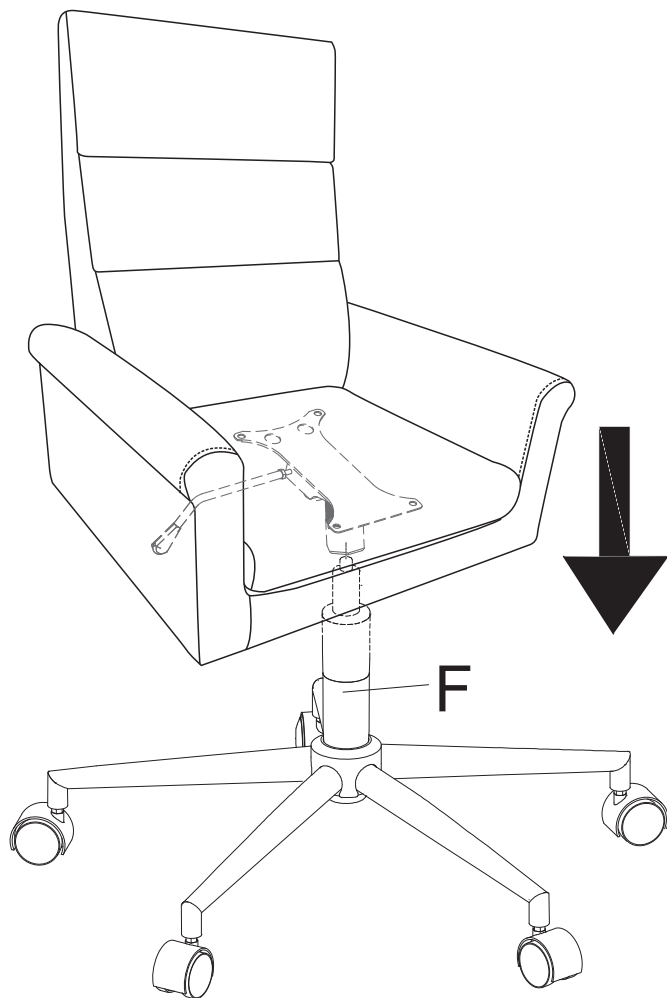
Step 5



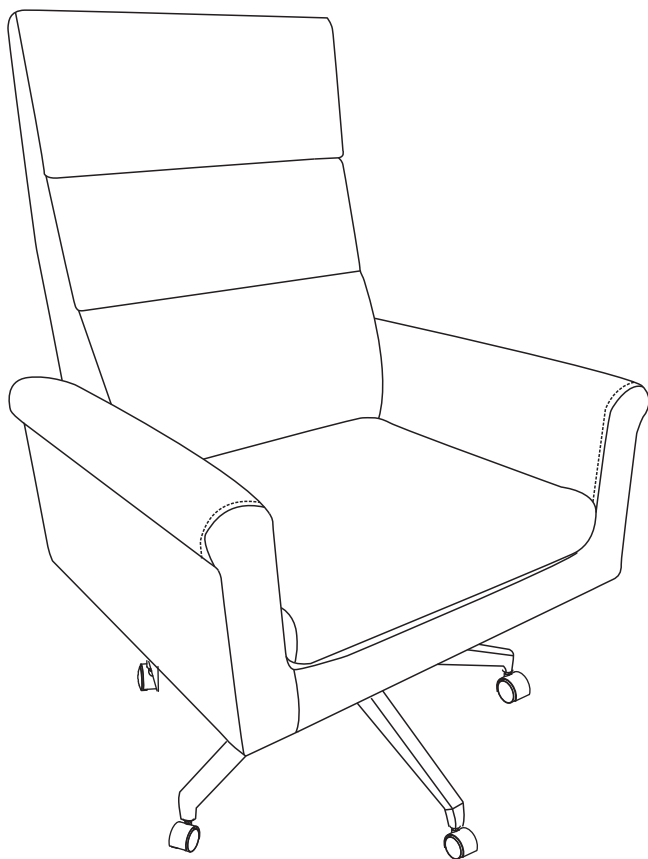
Step 6



Step 7



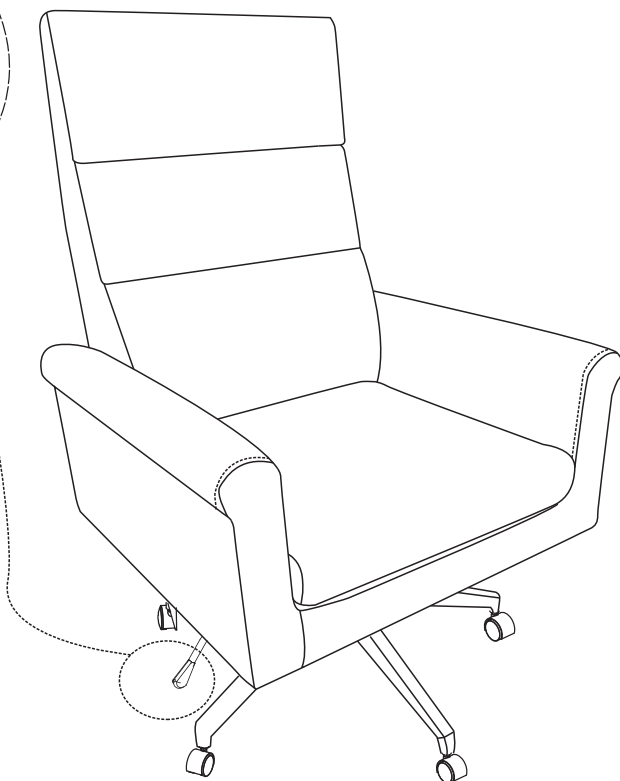
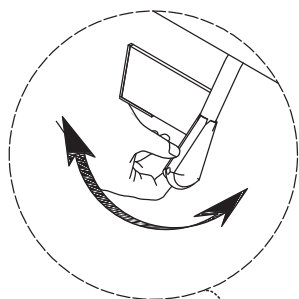
Step 8



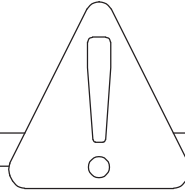
Assembly completed.

Functions Introduction

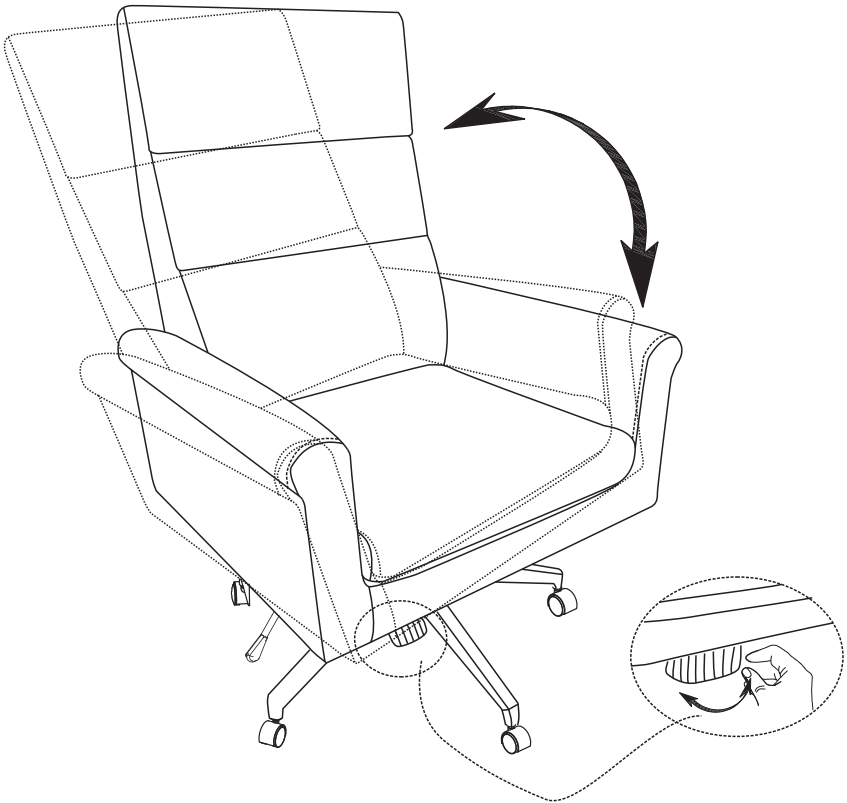
Adjust the chair height by pulling lifting lever



Functions Introduction



Rotate this knob clockwise to adjust the recline angle of the backrest; counterclockwise to adjust the backrest forward.



WARRANTY

- We strive to offer quality products, and we also try our best to satisfy every customer who orders from us with products or services as needed.
- Replacement parts can be purchased from our company if available.
- For returns, please check the return policy with the retailer or marketplace where you purchased the item.

We appreciate your purchase.
Brighten your life with our furniture!