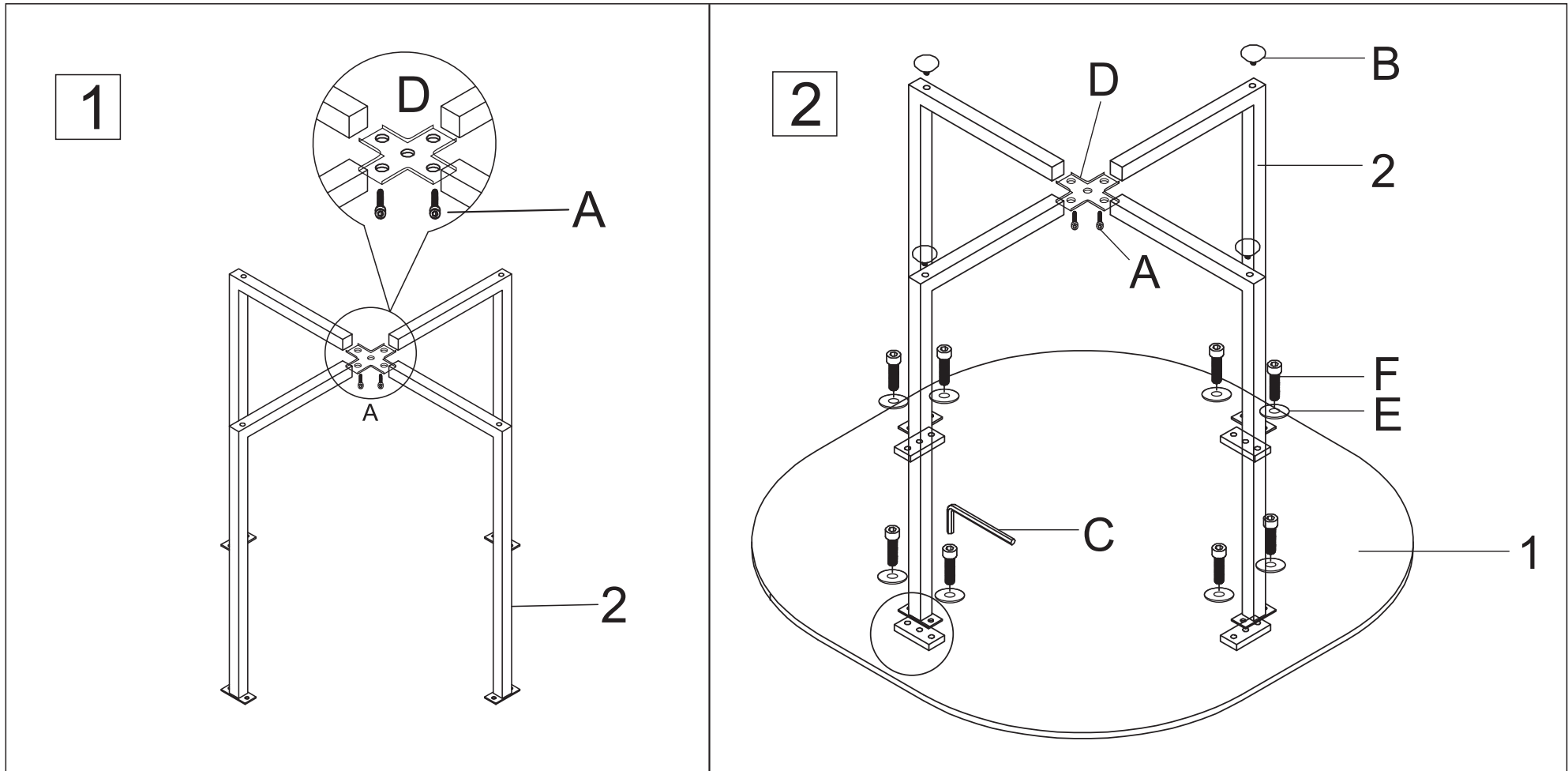
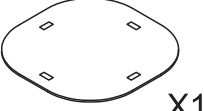
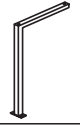
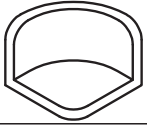




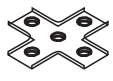









ASSEMBLY INSTRUCTION

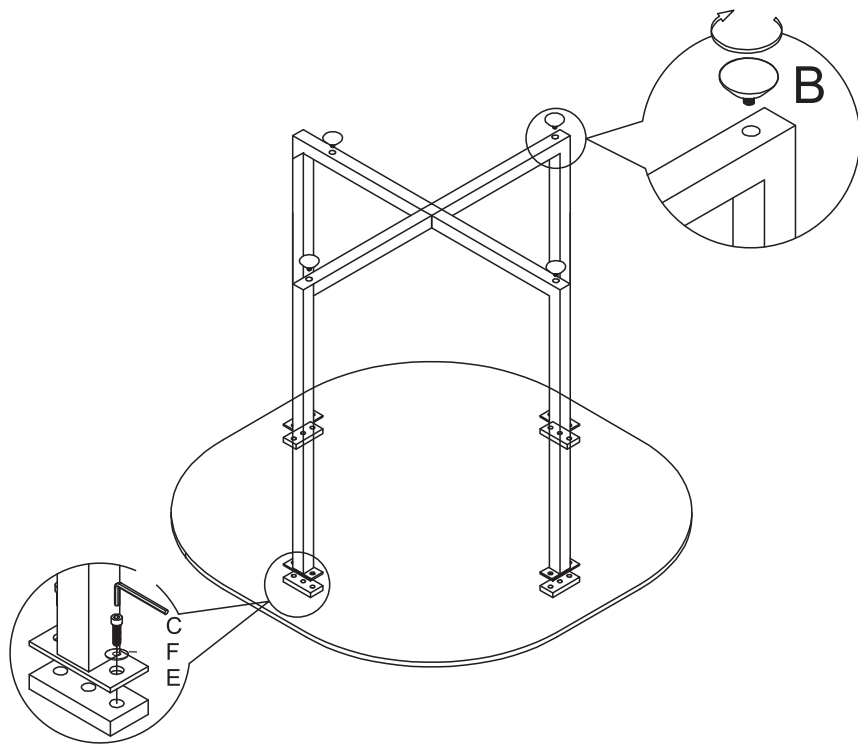


1	 X1	2	 X4	3	 X4	4	 X16	A	 M8*16MM X4	B	 M8X40X13MM X4
C	 M5 X1	D	 X1	E	 M8x16x2MM X8	F	 M8*8MM X8	G	 M6x10MM X48	H	 M6X16MM X16
I	 M5 X1	J	 M6X16 X64	K	 X4						

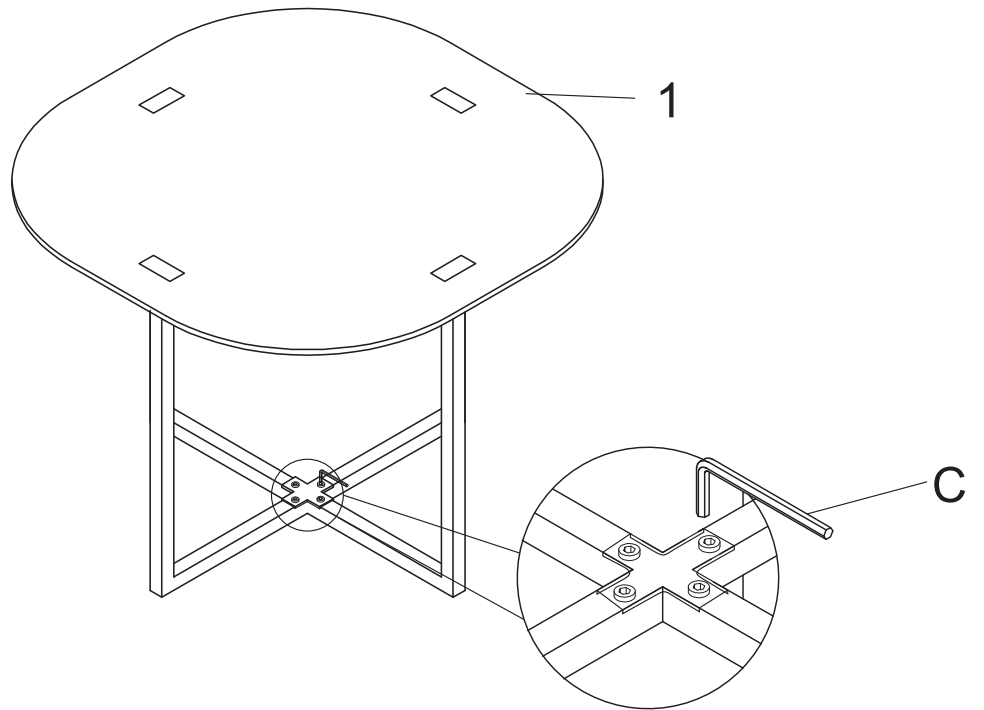
Warm reminder:

1. Don't place hot or cold items on the glass surface unless adequately thick insulating material or table mat are used to prevent such items coming into contact with the glass surface.
2. Don't use the glass as a chopping board.

3



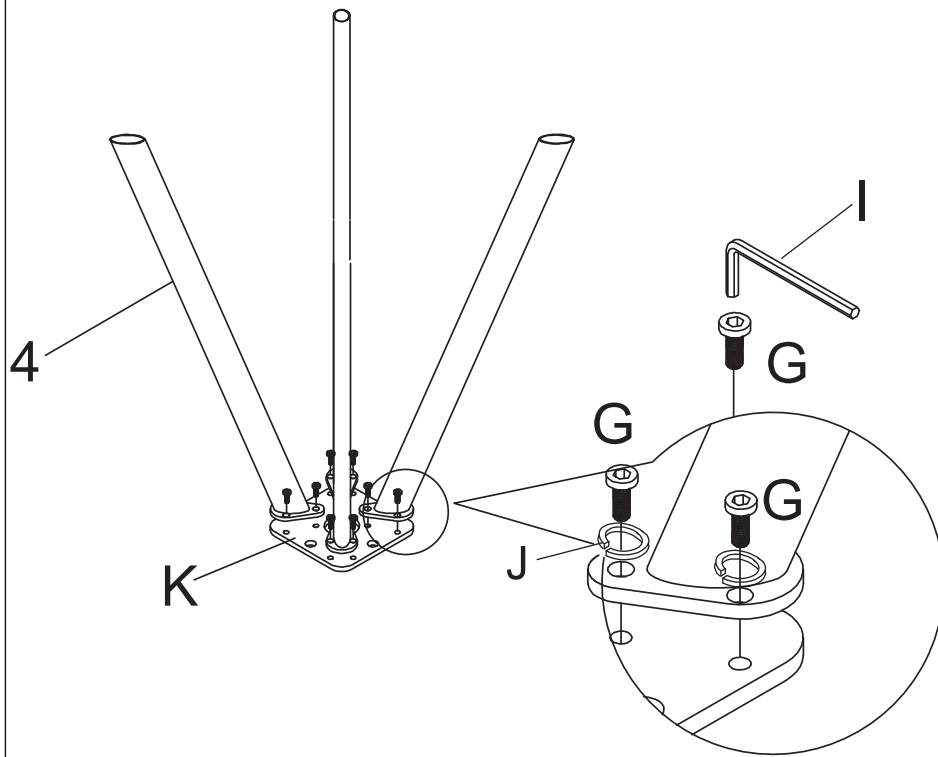
4



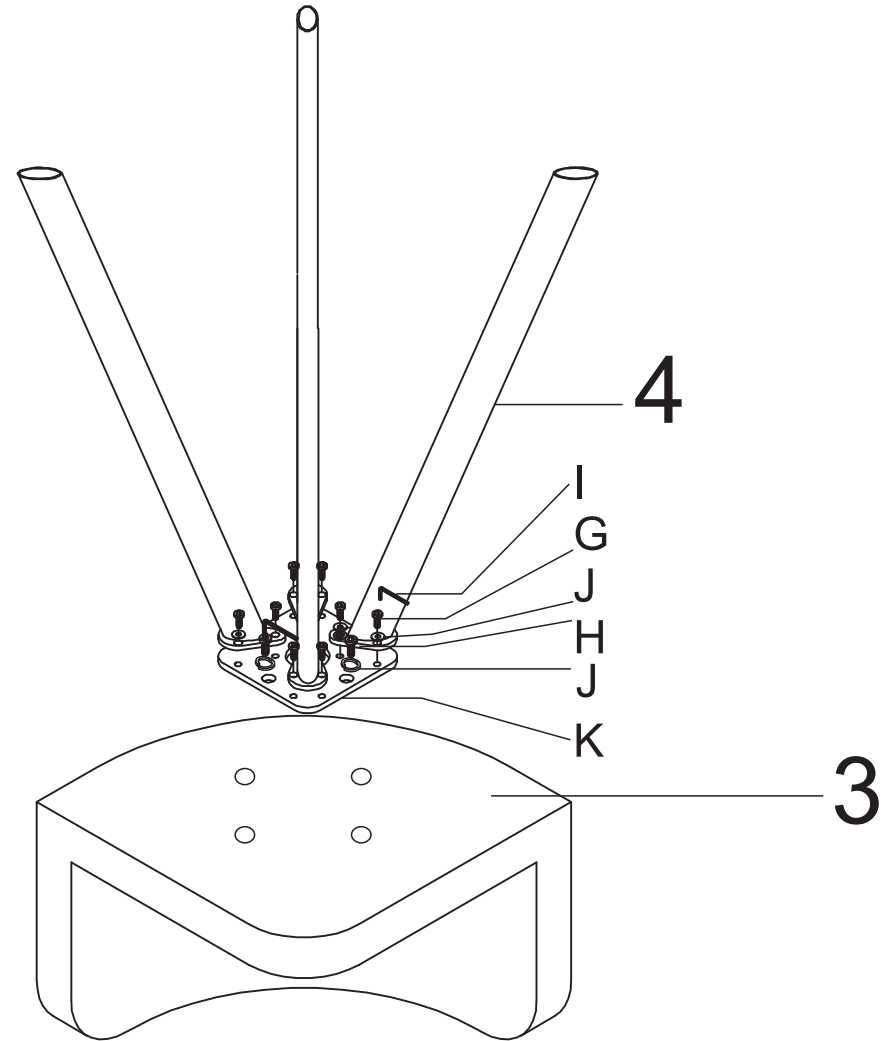
Warm reminder:

1. Don't place hot or cold items on the glass surface unless adequately thick insulating material or table mat are used to prevent such items coming into contact with the glass surface.
2. Don't use the glass as a chopping board.

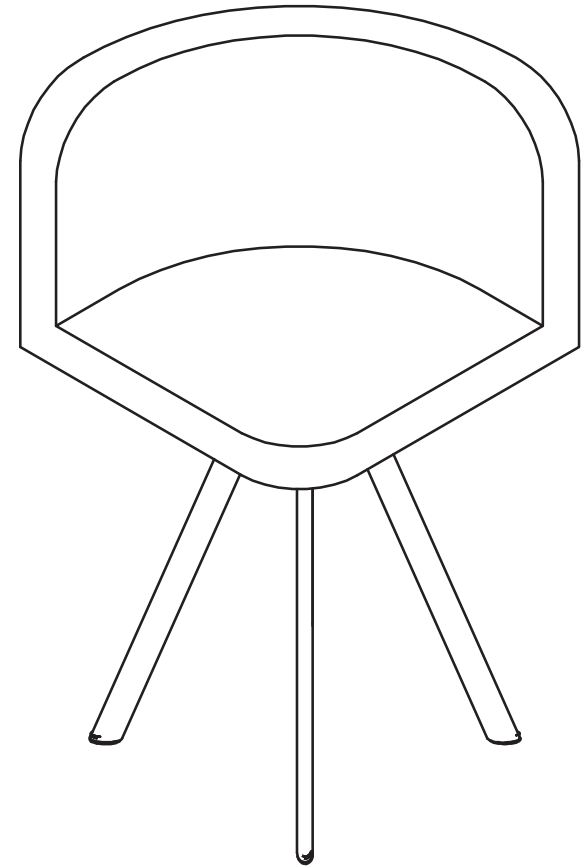
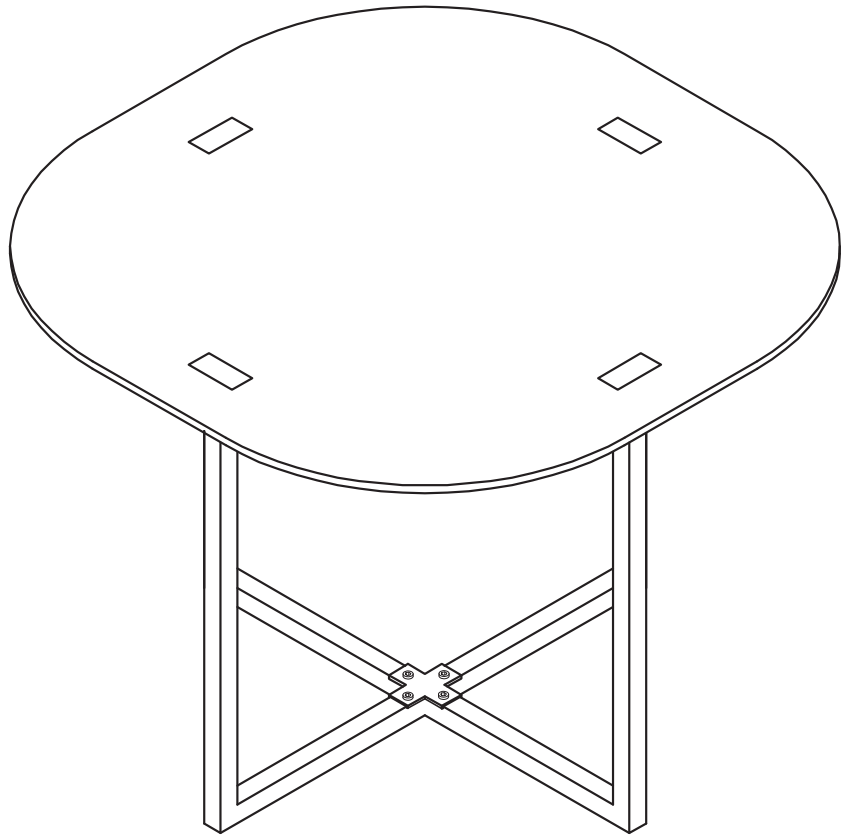
1



2



- Warm reminder:
1. Don't place hot or cold items on the glass surface unless adequately thick insulating material or table mat are used to prevent such items coming into contact with the glass surface.
 2. Don't use the glass as a chopping board.



Warm reminder:

1. Don't place hot or cold items on the glass surface unless adequately thick insulating material or table mat are used to prevent such items coming into contact with the glass surface.
2. Don't use the glass as a chopping board.