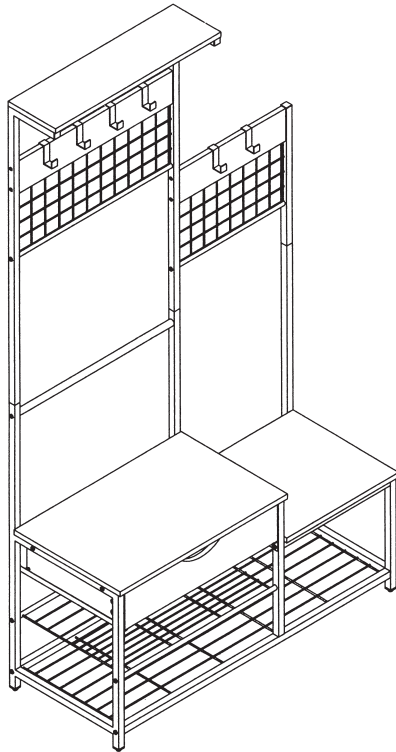
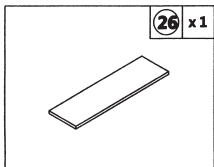
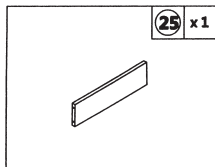
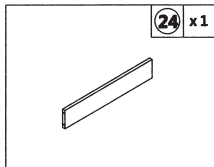
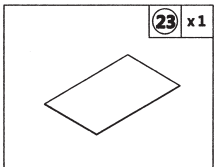
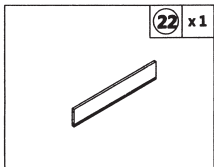
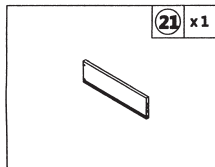
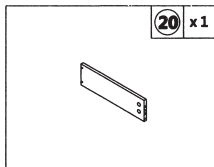
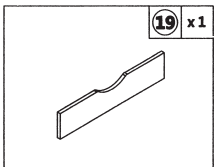
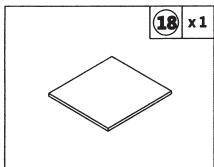
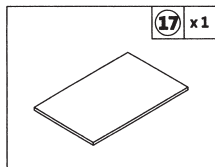
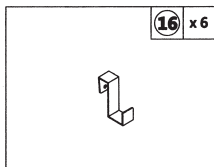
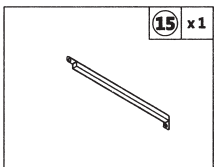
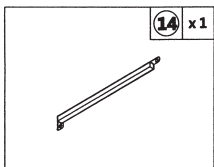
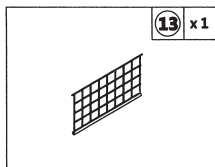
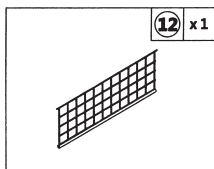
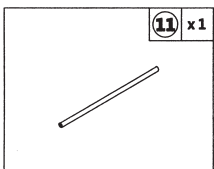
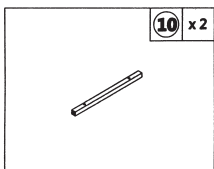
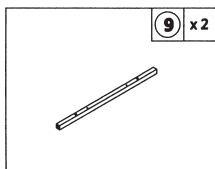
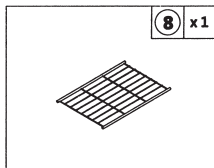
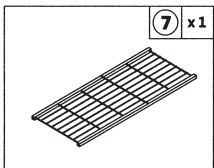
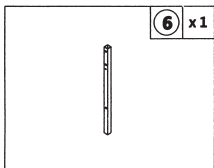
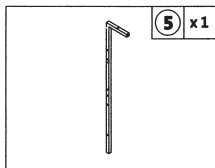
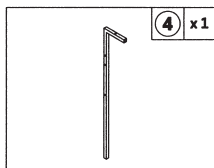
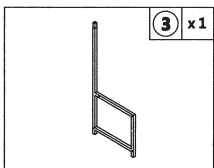
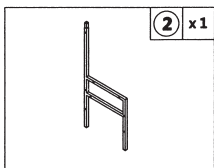
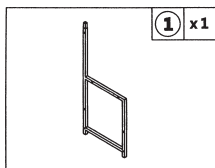
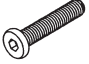



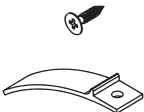

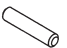



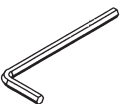


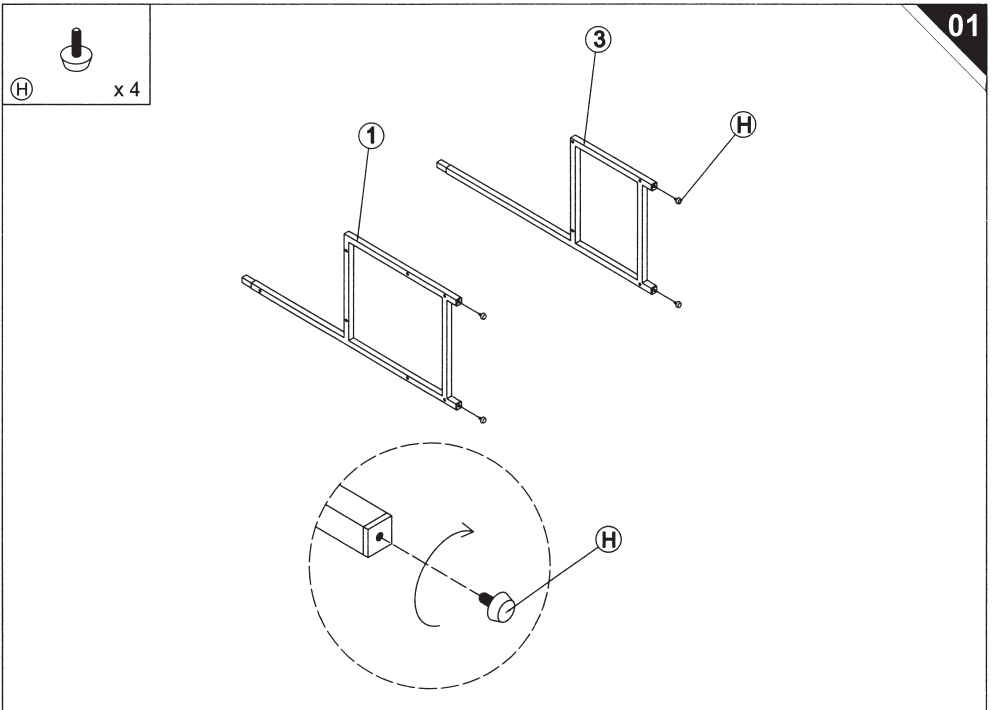
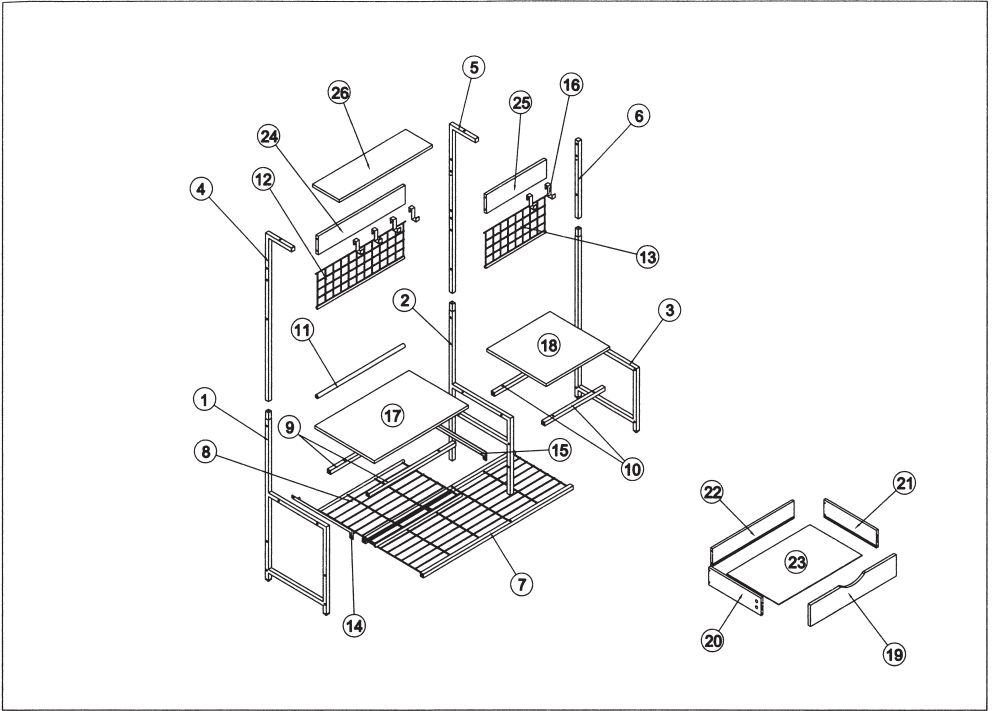
INSTALLATION INSTRUCTION

Attention: Do not tighten the screws until all of them in right positions



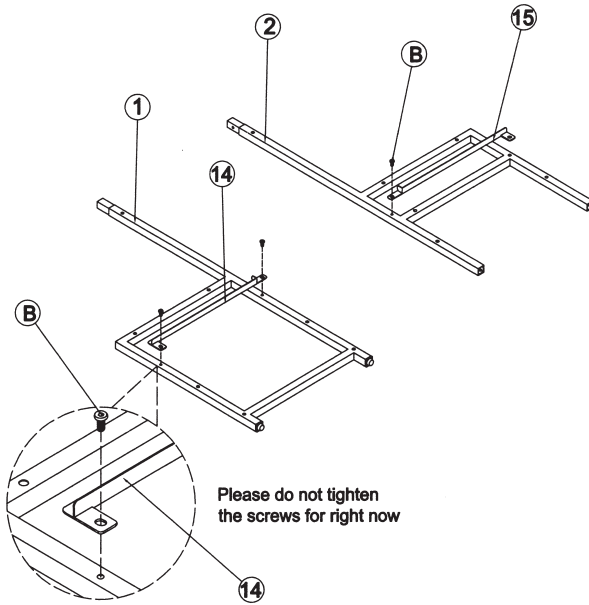


<p>(A)</p>  <p>M6*30mm 34</p>	<p>(B)</p>  <p>M6*12mm 6</p>	<p>(C)</p>  <p>M6*50mm 8</p>	<p>(D)</p>  <p>M5*50mm 4</p>
<p>(E)</p>  <p>Drawer Stop 2</p>	<p>(F)</p>  <p>4</p>	<p>(G)</p>  <p>ø6*30mm 2</p>	<p>(H)</p>  <p>4</p>
<p>(I)</p>  <p>Anti-tip kit 2</p>	<p>(J)</p>  <p>S4 1</p>	<p>(K)</p>  <p>S3 1</p>	

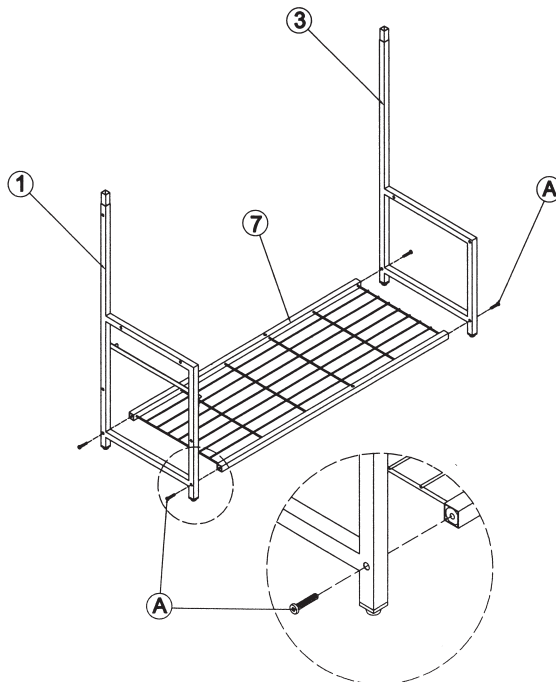




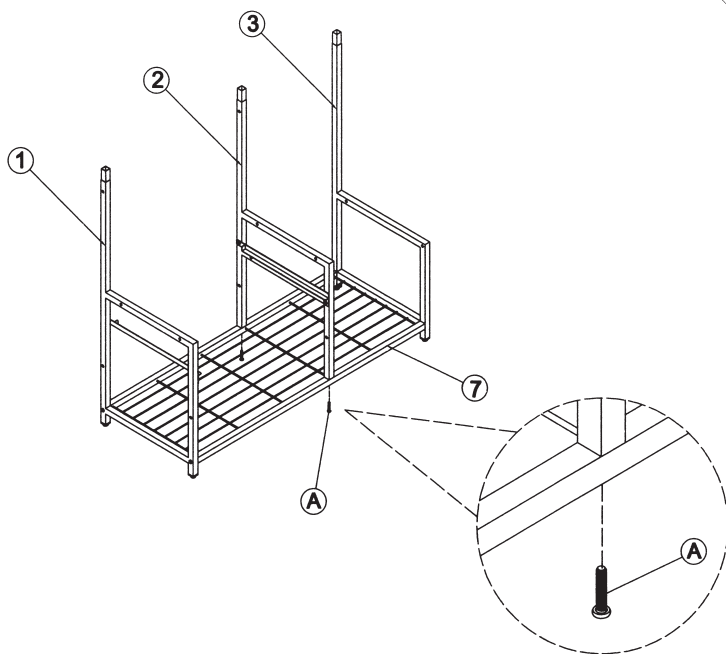
(B) x 3



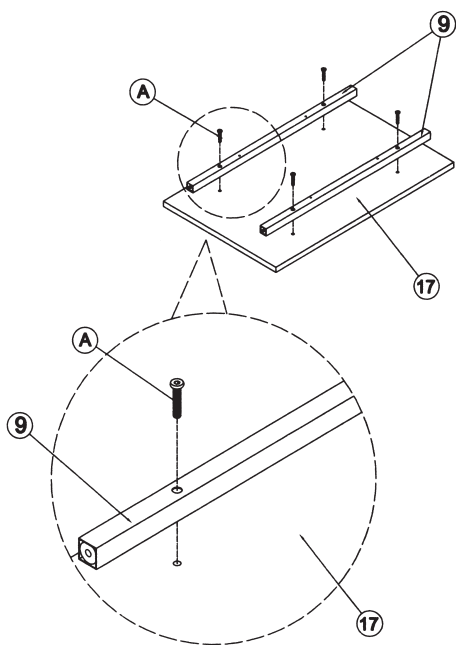
(A) x 4

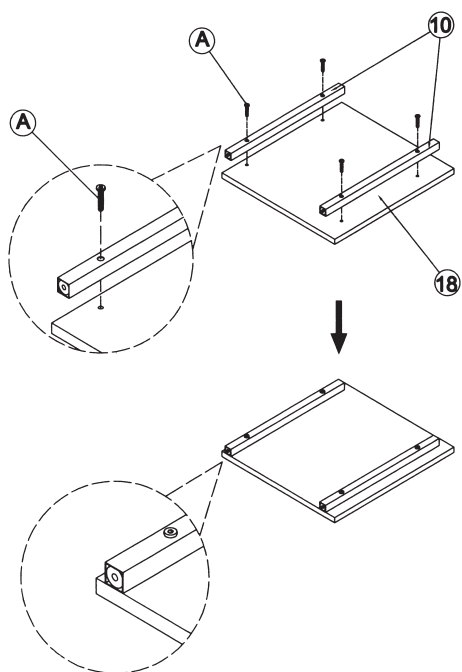
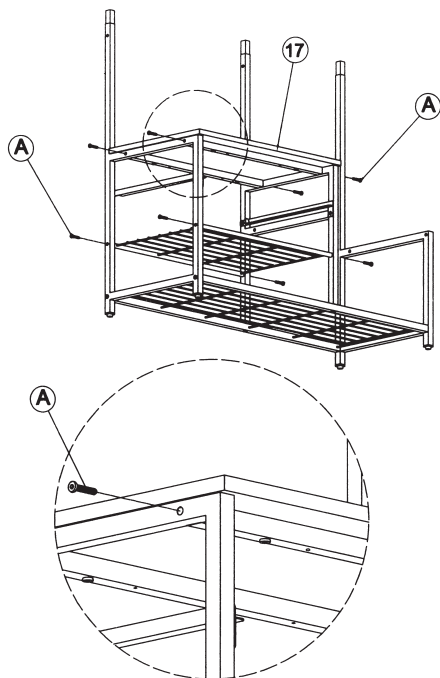


(A) x 2



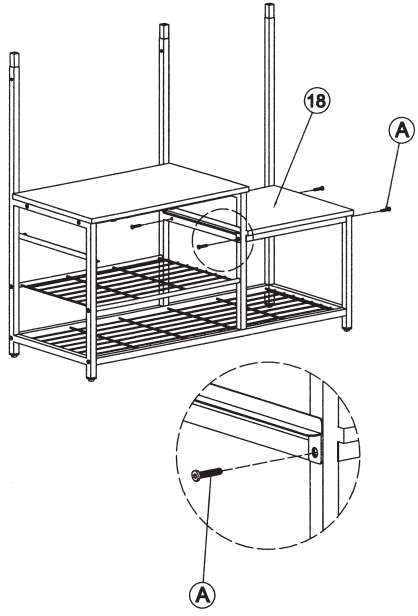
(A) x 4



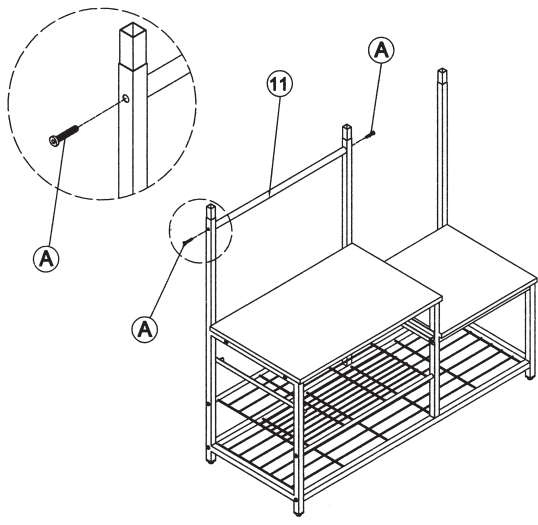


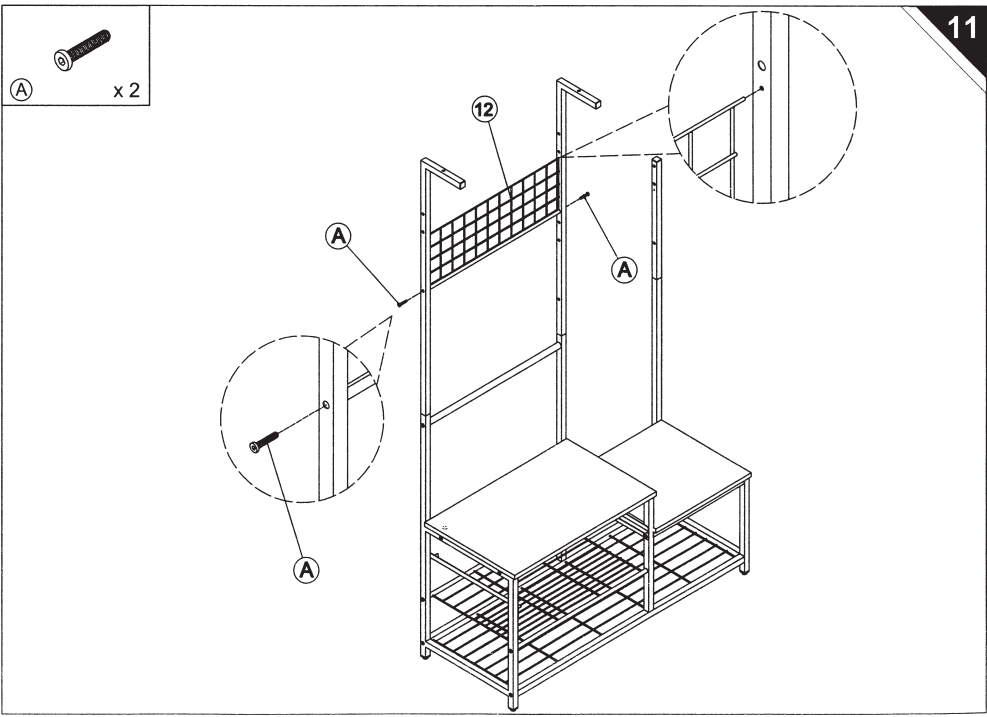
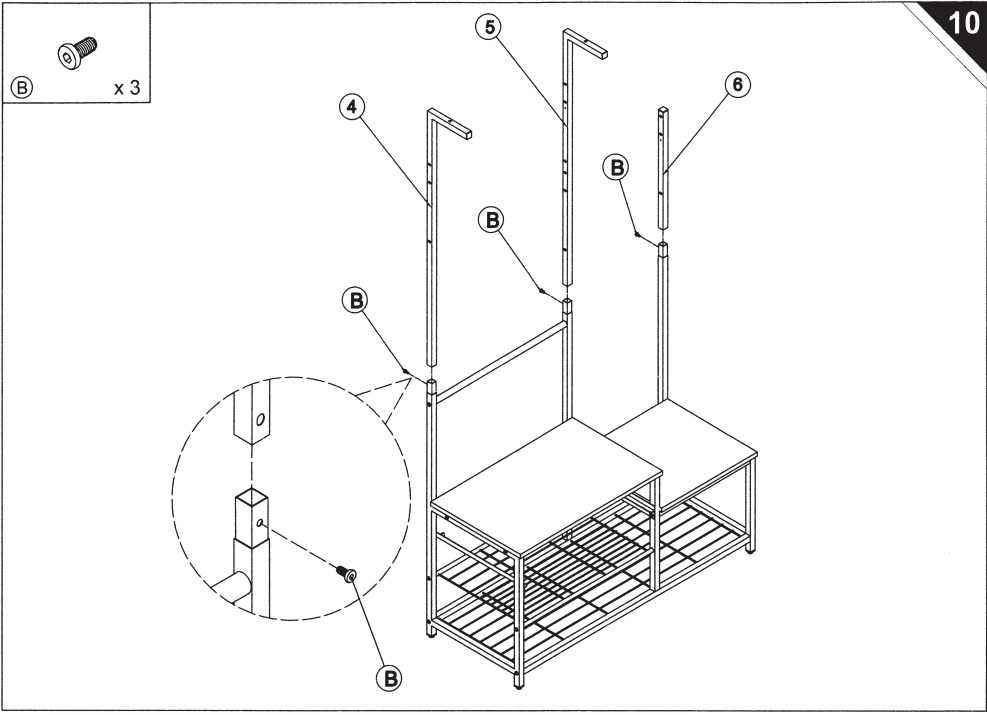


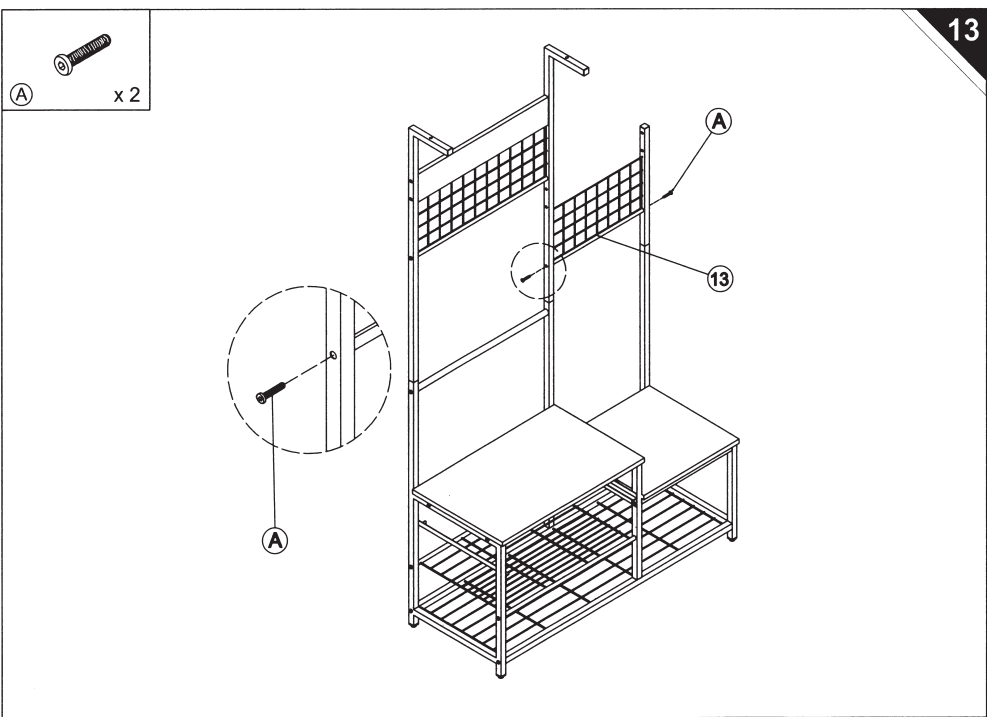
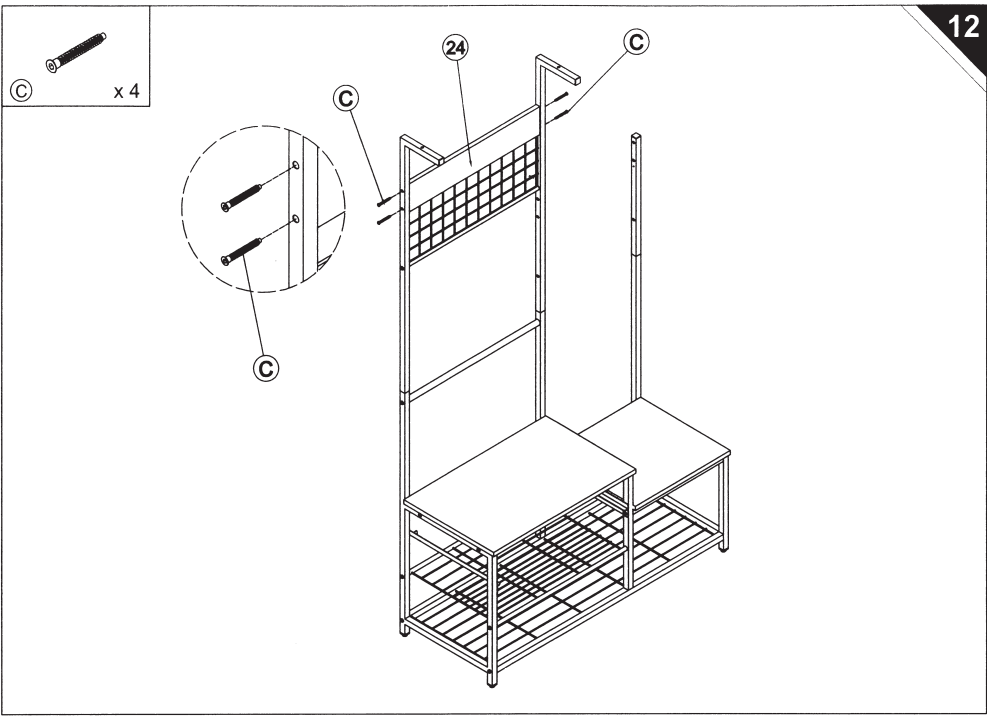
(A) x 4

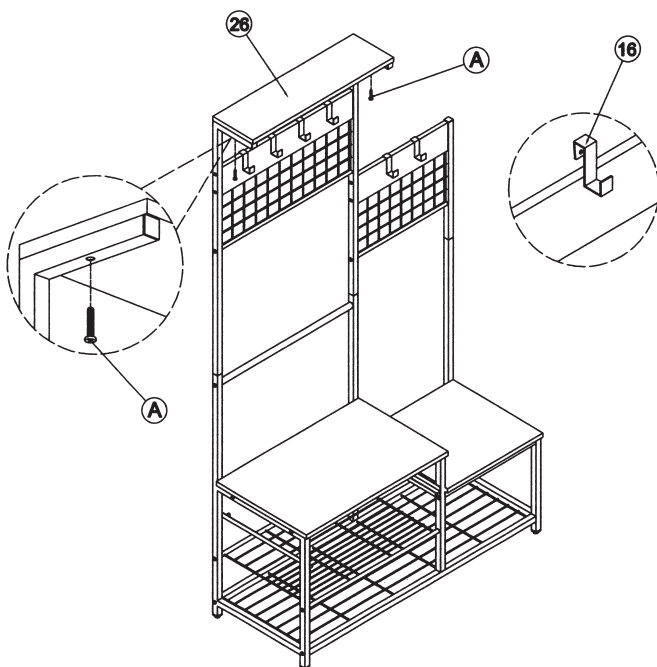
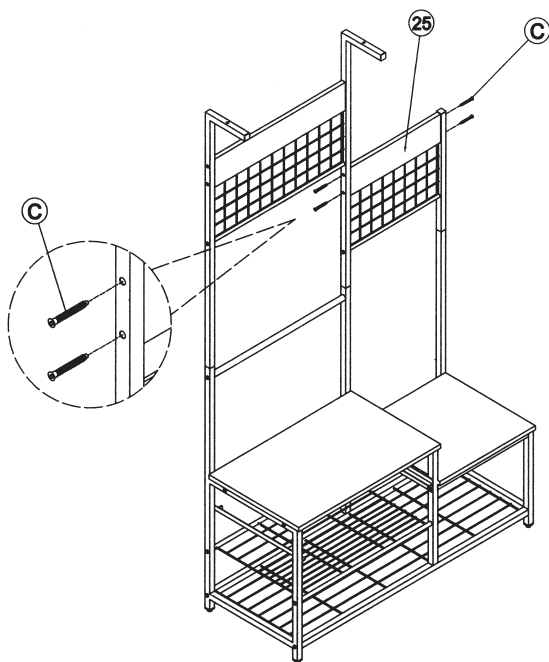


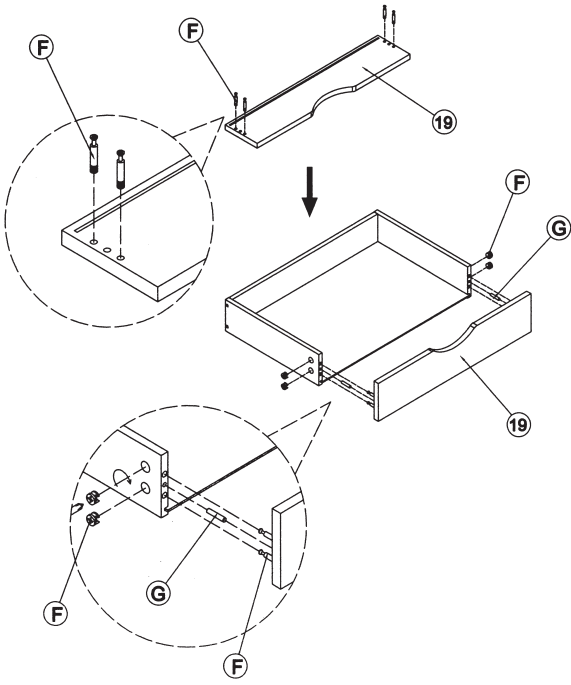
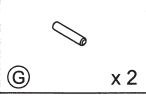
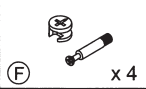
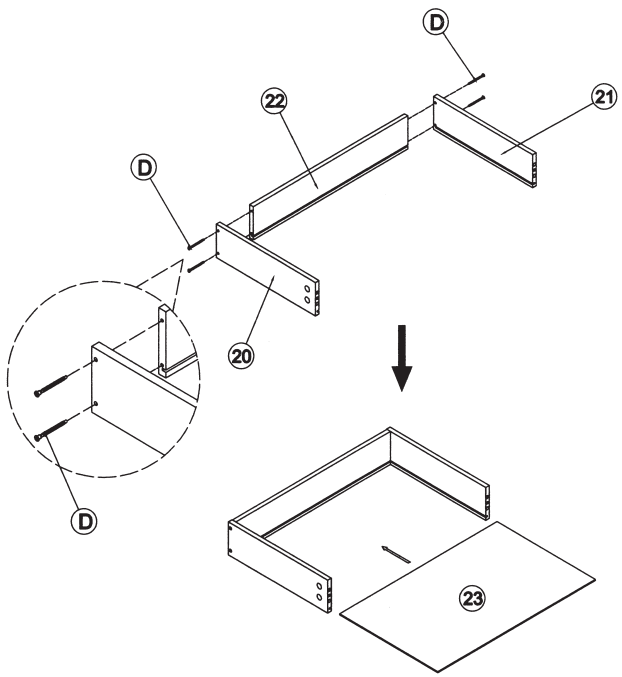
(A) x 2

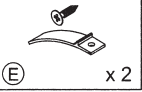




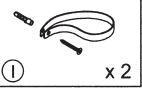
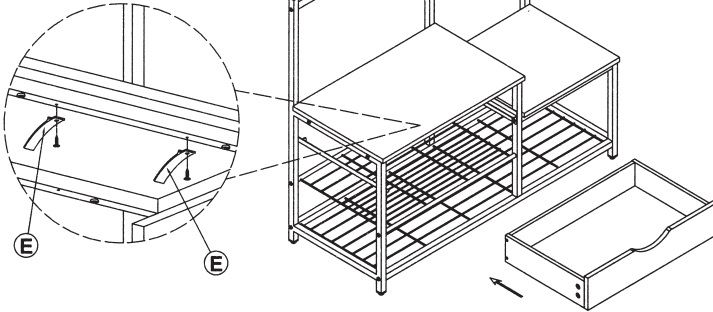








Please tighten the screws



Please attach part ① to your wall to make sure the entryway coat rack stay stable

