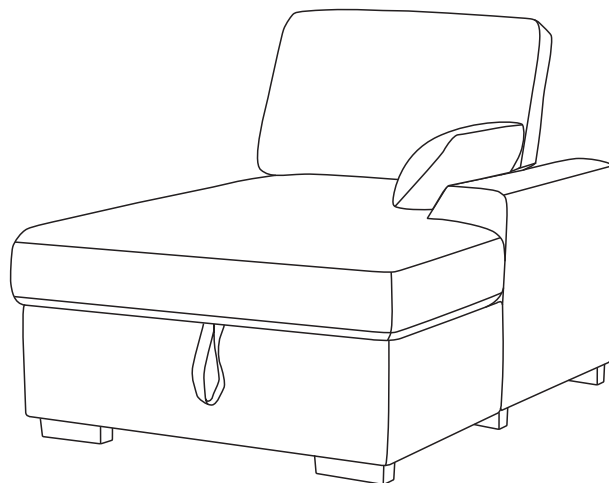
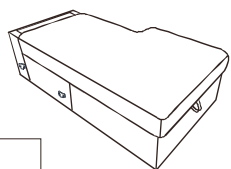


ASSEMBLY INSTRUCTION



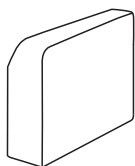
PARTS LIST



A x1



B x1



C x1

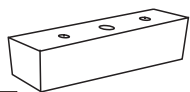


D x1



E x1

HARDWARE LIST



1 x4



2 M8X60 x4



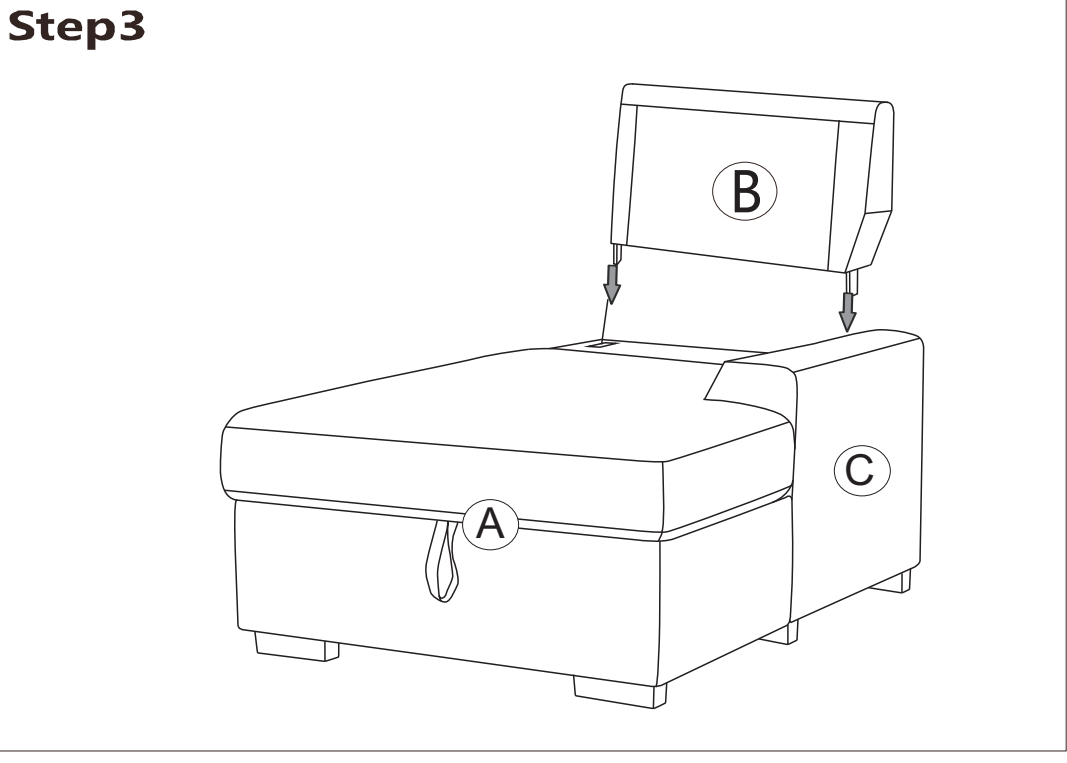
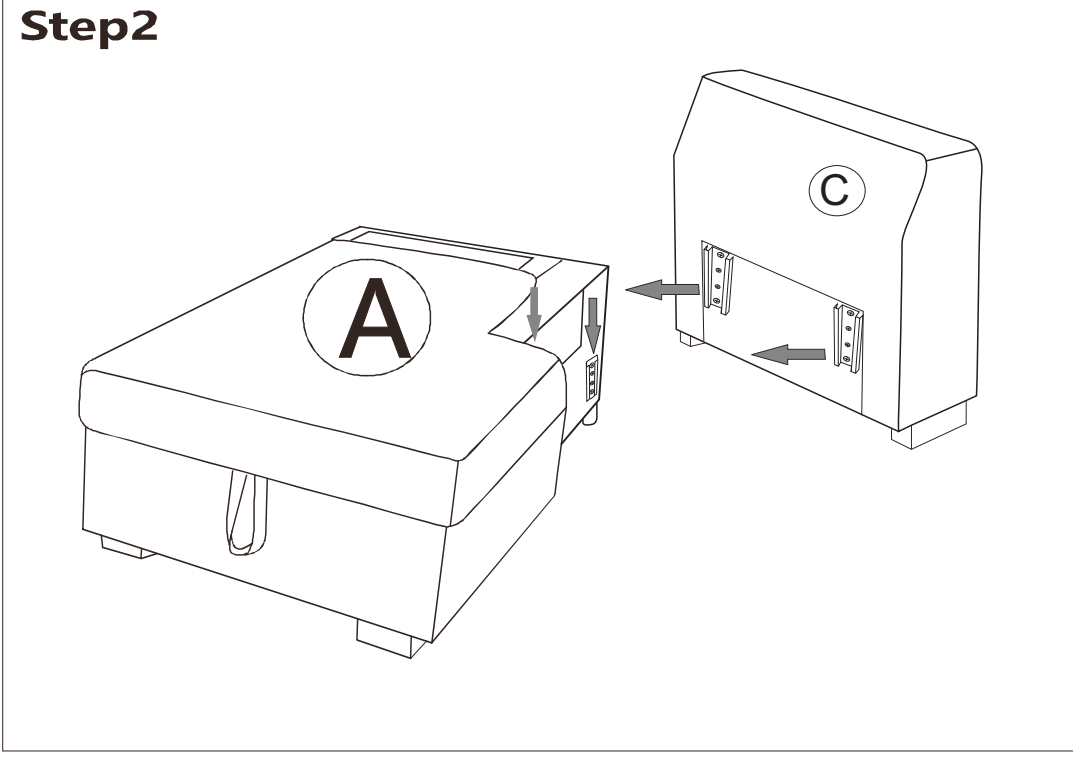
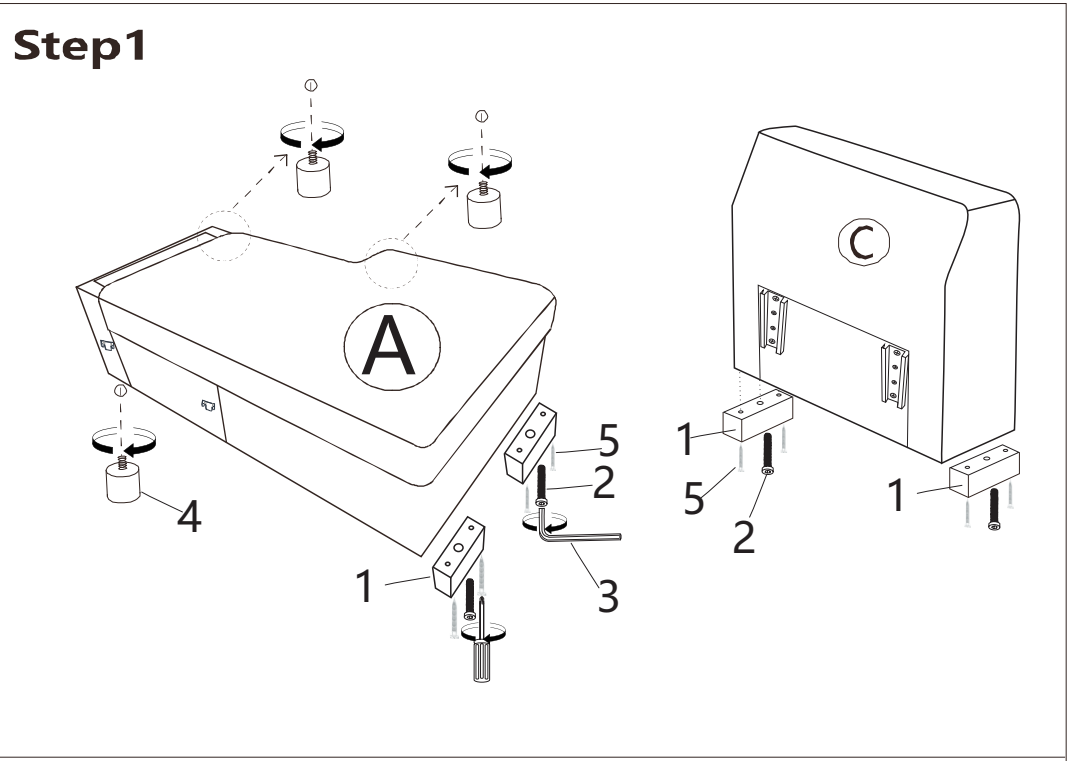
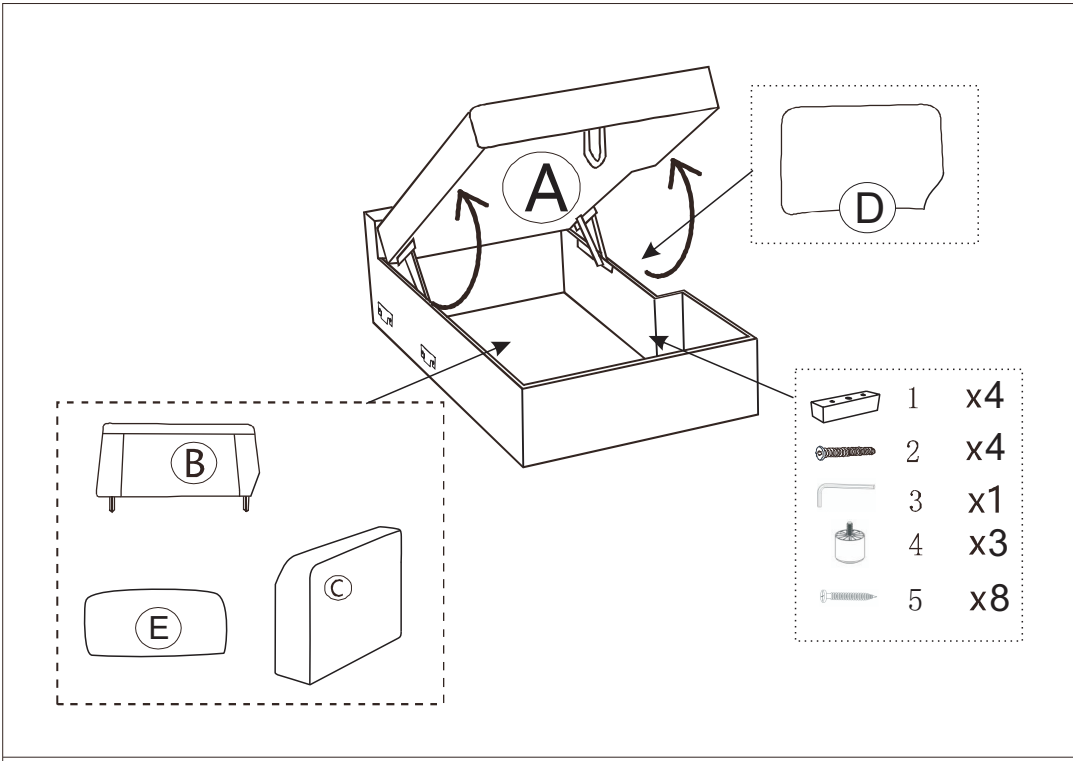
3 M5 x1



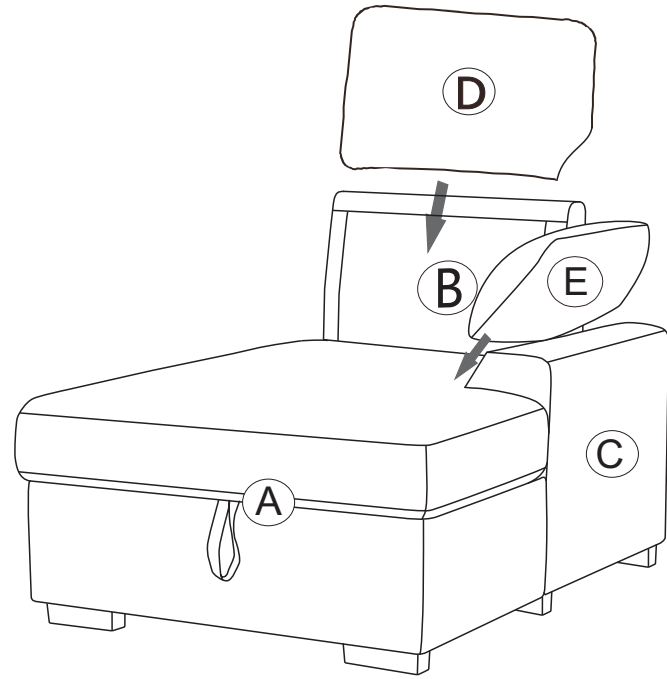
4 x3



5 M5X50 x8



Step4



Step5

