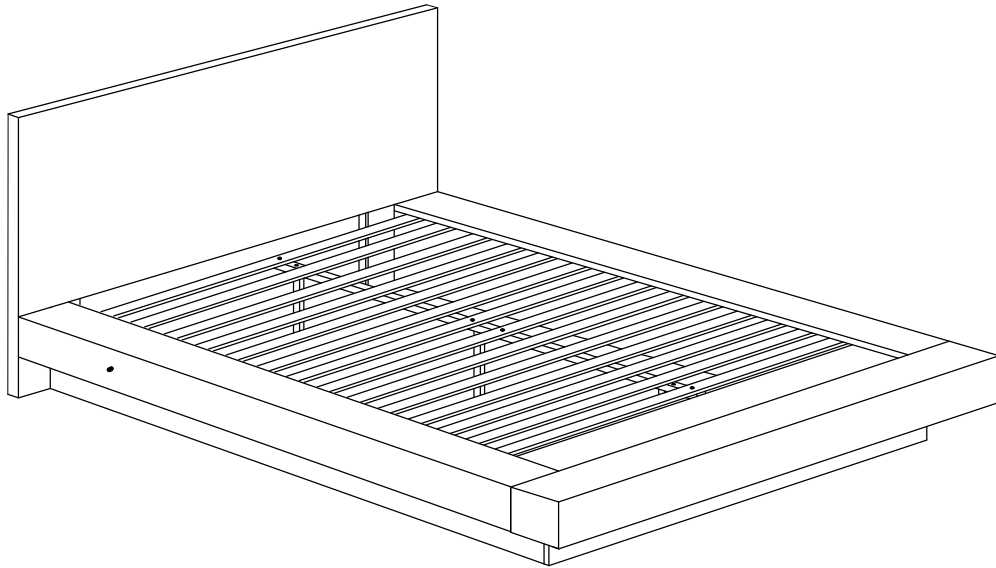


ASSEMBLY INSTRUCTIONS



Fine Furniture for every stage of life

Eastern King Bed

REVISION 0: 05/14/2008
REVISION 1: 12/04/2012
REVISION 2: 01/21/2013
REVISION 3: 02/15/2017
REVISION 4: 08/09/2017
REVISION 5: 09/11/2018
REVISION 6: 12/02/2019
REVISION 7: 08/04/2020
REVISION 8: 11/01/2023
REVISION 9: 03/12/2024

ASSEMBLY INSTRUCTIONS

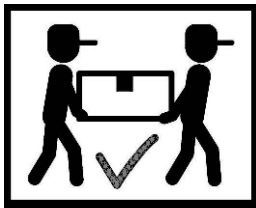
ASSEMBLY TIPS:

1. Remove hardware from box and sort by size.
2. Please check to see that all hardware and parts are present prior to start of assembly.
3. Please follow attached instructions in the same sequence as numbered to assure fast & easy assembly.



WARNING!

1. Don't attempt to repair or modify parts that are broken or defective. Please contact the store immediately.
2. This product is for home use only and not intended for commercial establishments.



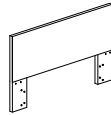
ASSEMBLY TIME

35 MINUTES

PARTS IDENTIFICATION

B1 (BOX 1)

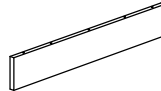
A HEADBOARD



1PC

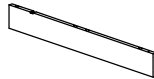
B2 (BOX 2)

B FOOTBOARD



1PC

C LEFT BED RAIL



1PC

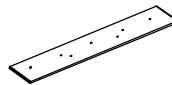
D RIGHT BED RAIL



1PC

B3 (BOX 3)

E CONCEAL PANEL



1PC

F LEFT BED RAIL TOP



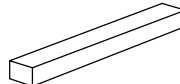
1PC

G RIGHT BED RAIL TOP



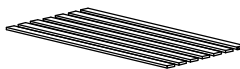
1PC

H FOOTBOARD TOP



1PC

I ROLL SLAT (7PCS)



2SETS

J CENTER RAIL



1PC

ASSEMBLY INSTRUCTIONS

ASSEMBLY TIPS:

1. Remove hardware from box and sort by size.
2. Please check to see that all hardware and parts are present prior to start of assembly.
3. Please follow attached instructions in the same sequence as numbered to assure fast & easy assembly.



WARNING!

1. Don't attempt to repair or modify parts that are broken or defective. Please contact the store immediately.
2. This product is for home use only and not intended for commercial establishments.

K CENTER RAIL SUPPORT
WITH LEVELER



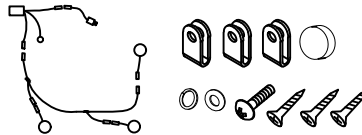
3PCS

L BOTTOM TRESTLE BAR



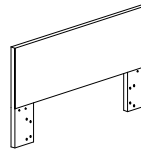
3PCS

MF1 LIGHT SET WITH SCREW



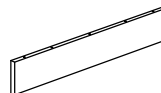
1SET

A FROM BOX 1
HEADBOARD



1PC

B FROM BOX 2
FOOTBOARD



1PC

ASSEMBLY INSTRUCTIONS

ASSEMBLY TIPS:

1. Remove hardware from box and sort by size.
2. Please check to see that all hardware and parts are present prior to start of assembly.
3. Please follow attached instructions in the same sequence as numbered to assure fast & easy assembly.



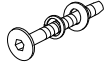







WARNING!

1. Don't attempt to repair or modify parts that are broken or defective. Please contact the store immediately.
2. This product is for home use only and not intended for commercial establishments.

HARDWARE IDENTIFICATION

Z-B1 (BOX 1) - HARDWARE PACK IS LOCATED

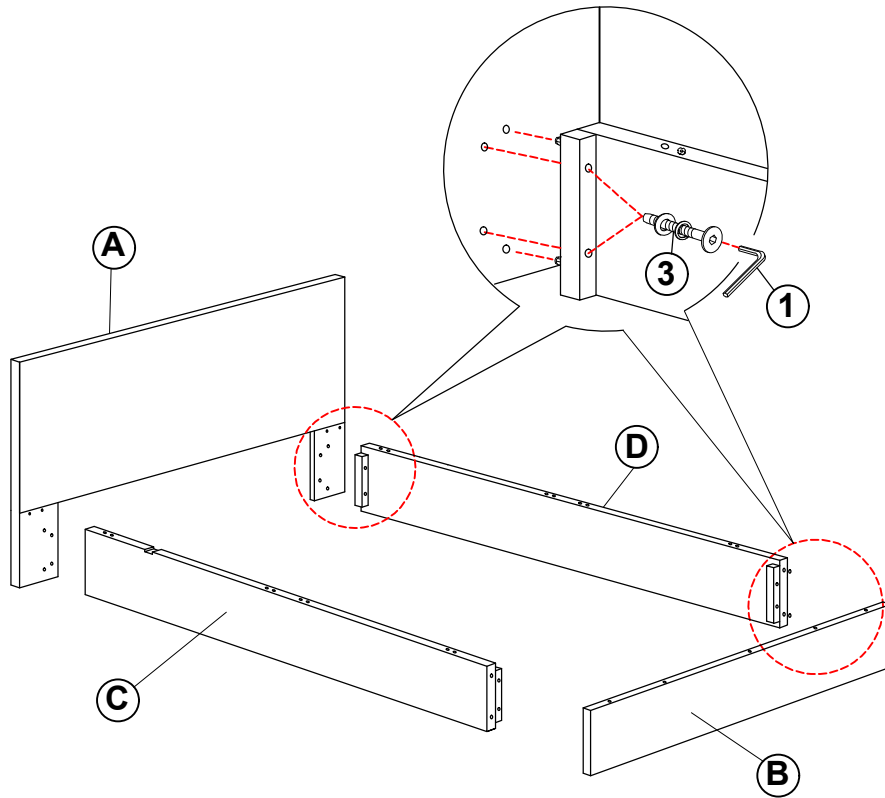
1	ALLEN WRENCH (M4 - BLK)		1PC
2	SHORT BOLT WITH WASHER (M6 x 30mm - BLK)		10PCS
3	LONG BOLT WITH WASHER (M6 x 45mm - BLK)		10PCS
4	LONG BOLT (M6 x 45mm - BLK)		16PCS
5	WOOD DOWEL (M8 x 30mm)		19PCS
6	ZIG ZAG SPRING CLICK (1.5 x 20.5 x 24 - BRN)		5PCS
7	FLAT HEAD SCREW (M4 x 16mm - BLK)		22PCS
8	BARREL NUT (M6 x 13mm - BLK)		10PCS

NOTE:

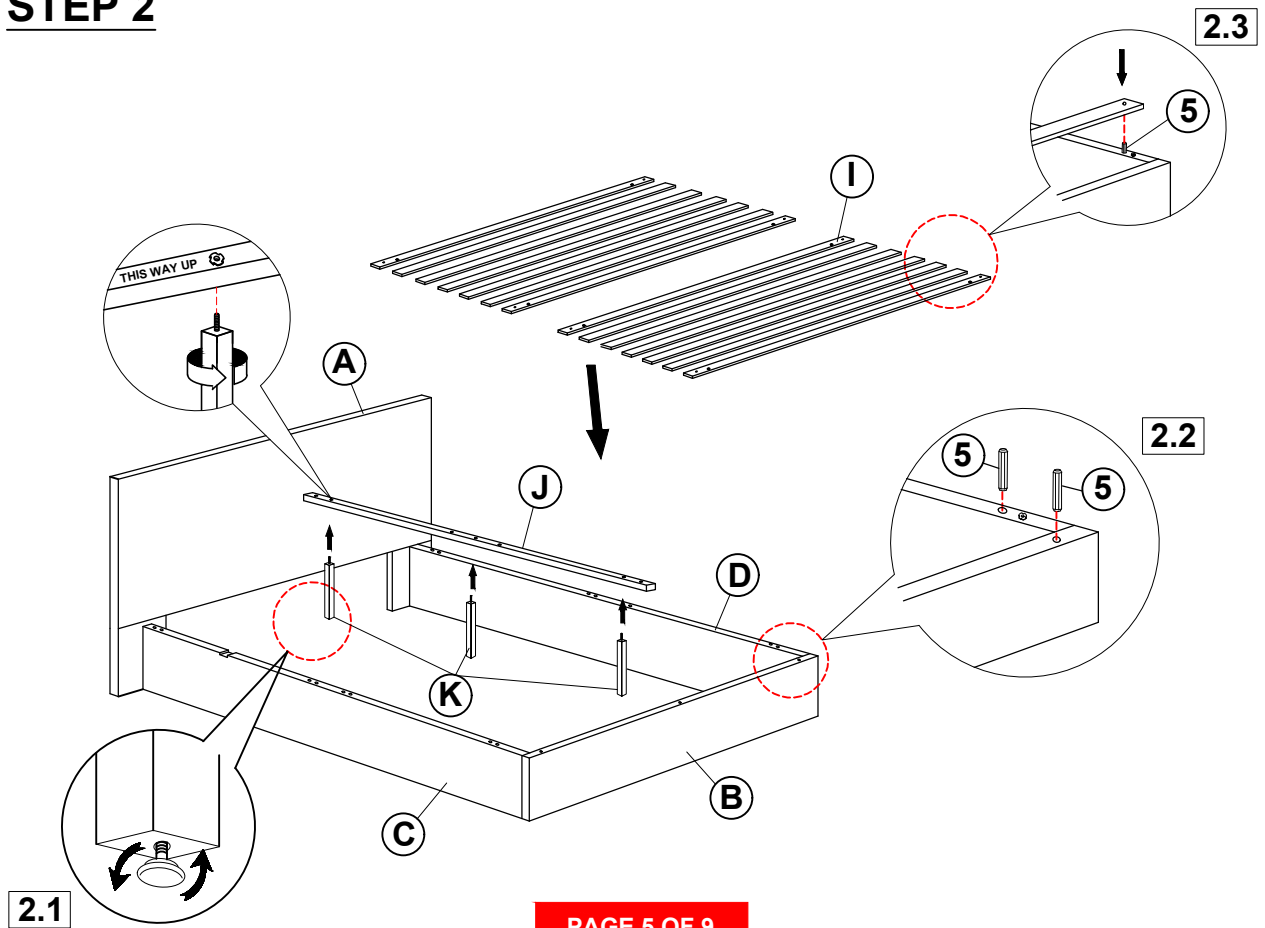
Phillips head screw driver is required in the assembly process; however, manufacturer does not provide this item.

ASSEMBLY INSTRUCTIONS

STEP 1

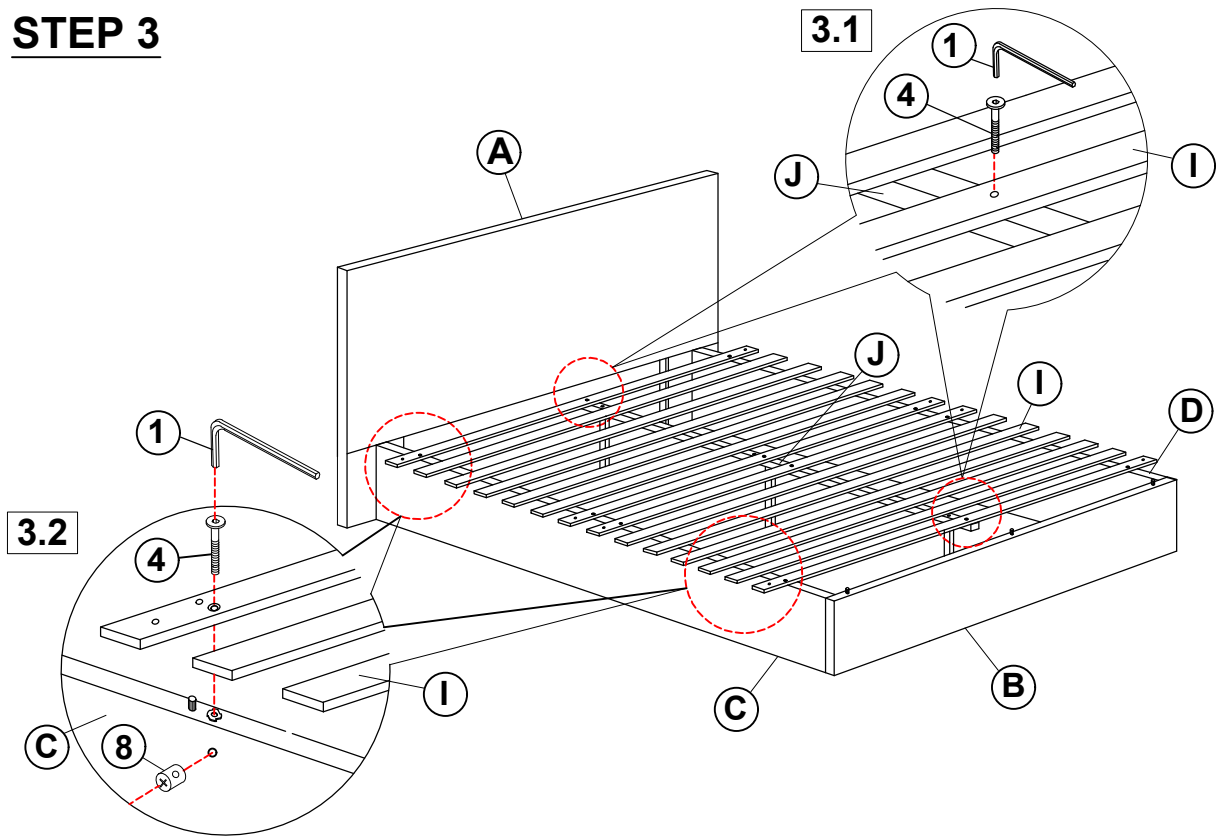


STEP 2

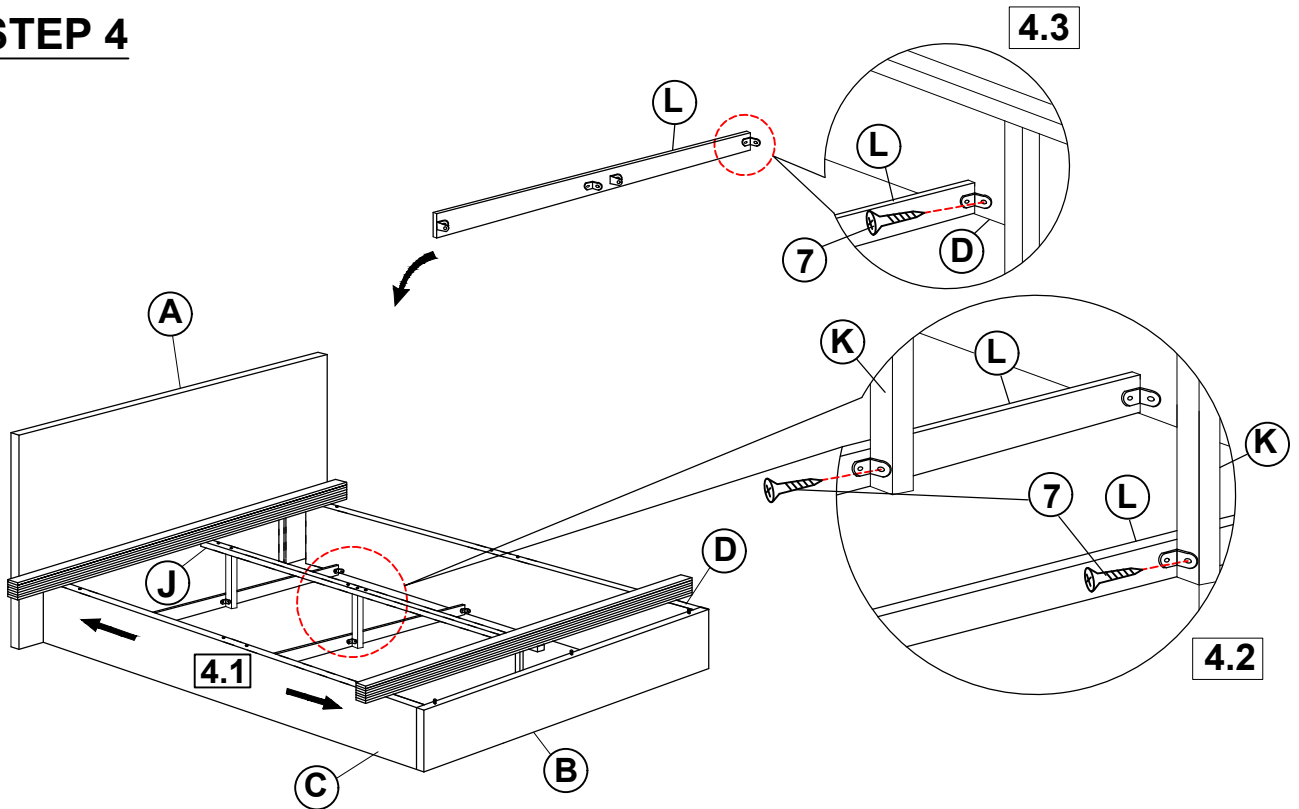


ASSEMBLY INSTRUCTIONS

STEP 3

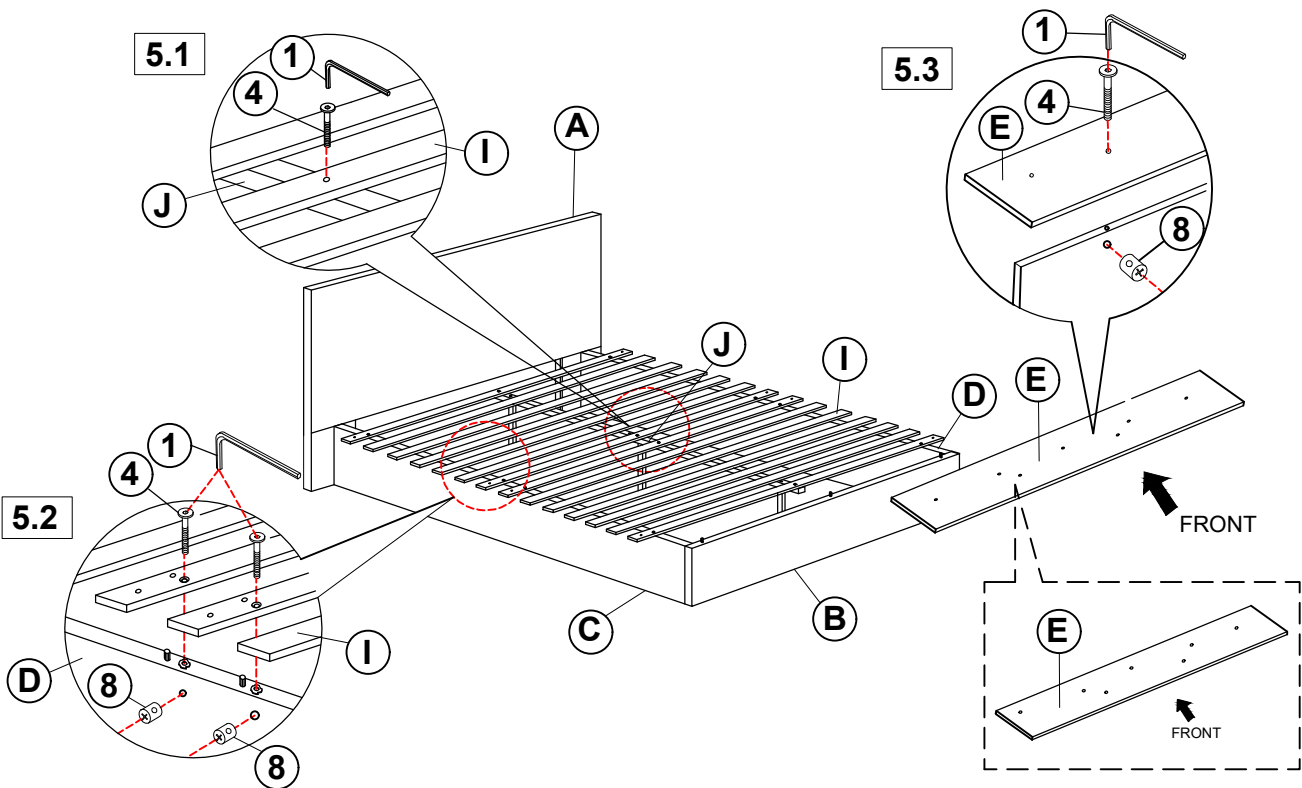


STEP 4

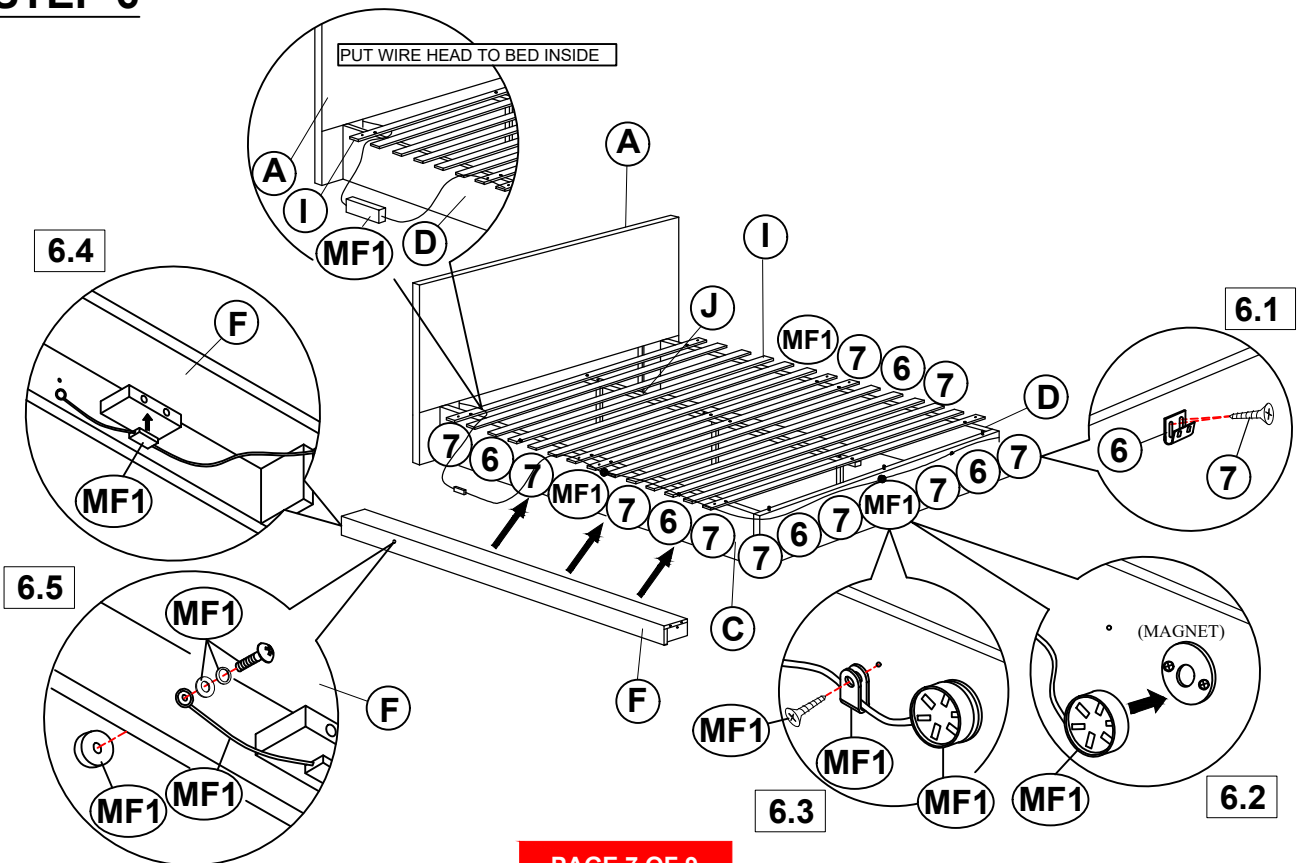


ASSEMBLY INSTRUCTIONS

STEP 5

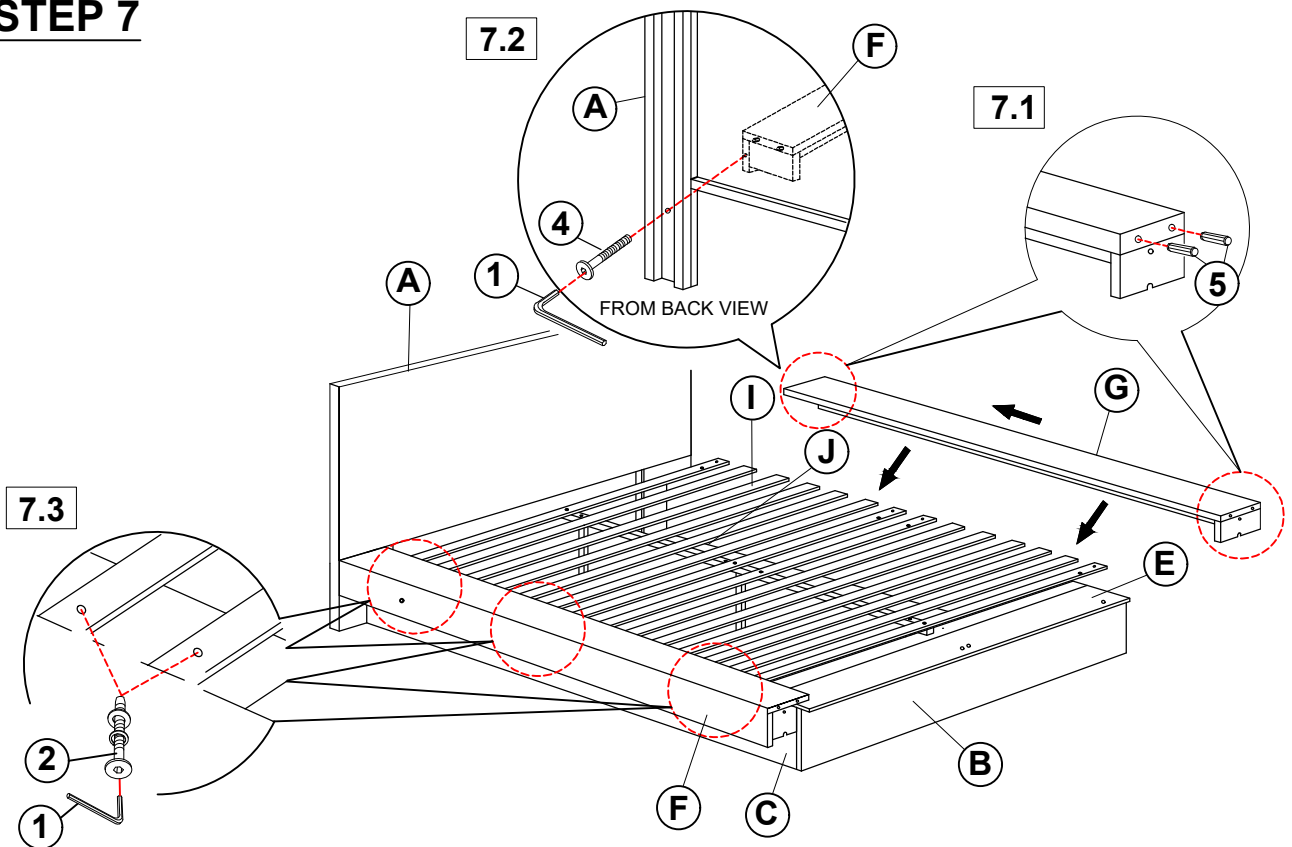


STEP 6

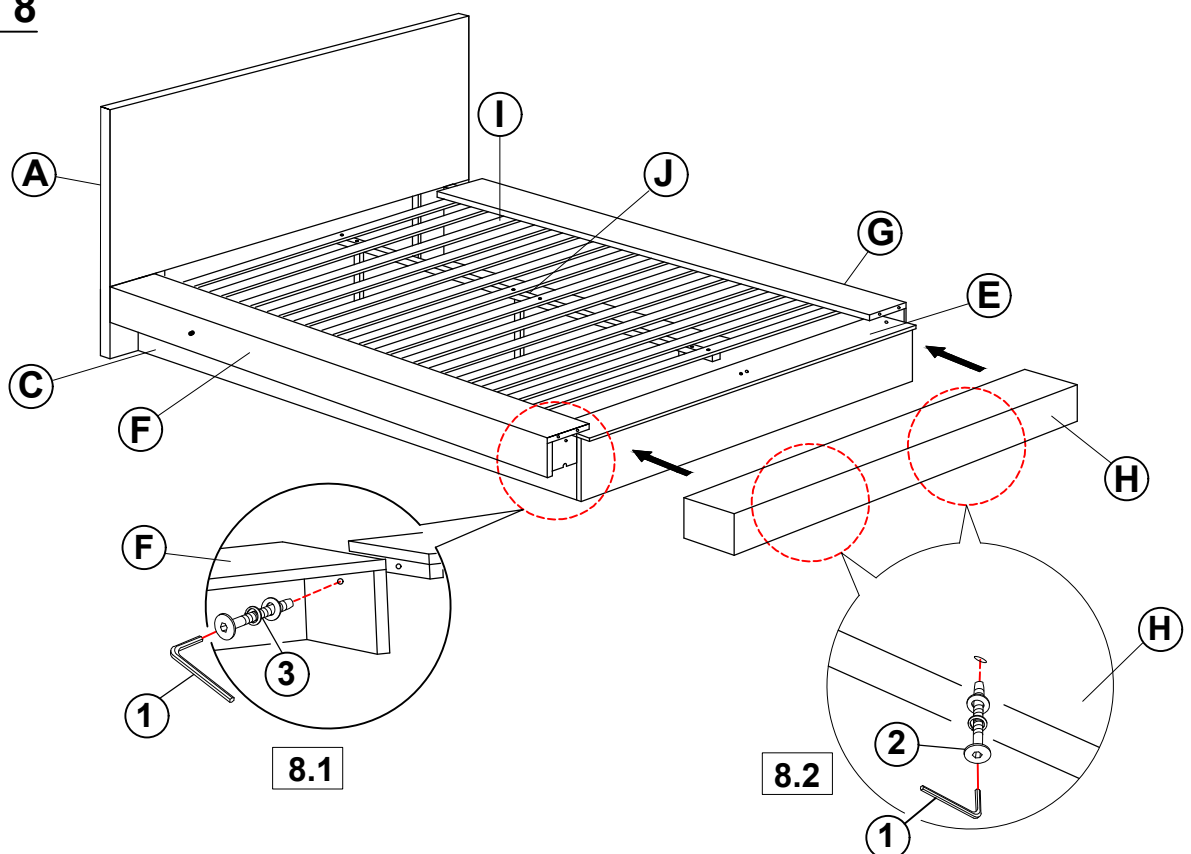


ASSEMBLY INSTRUCTIONS

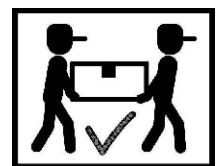
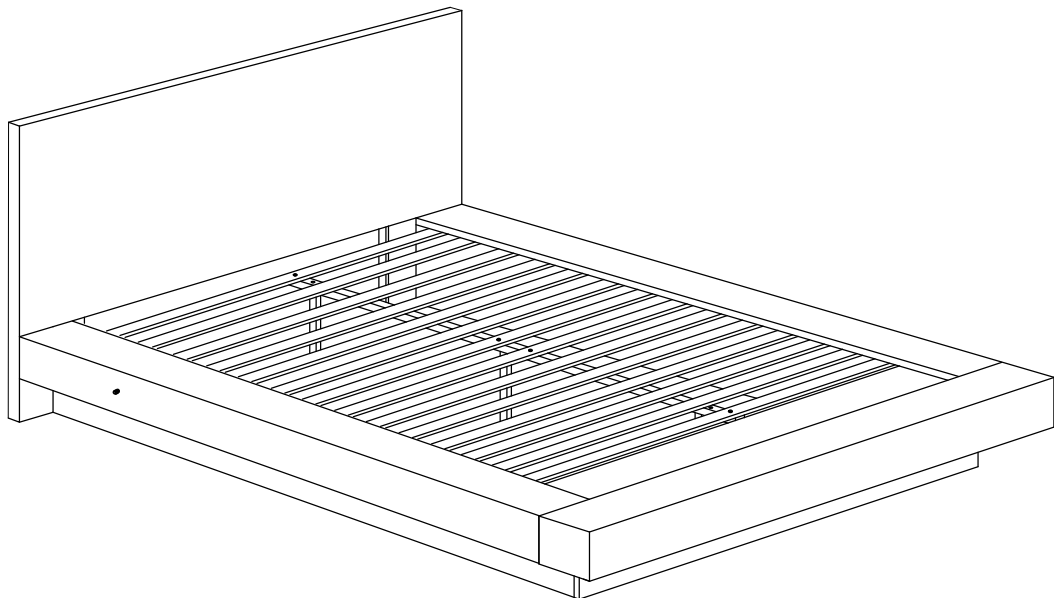
STEP 7



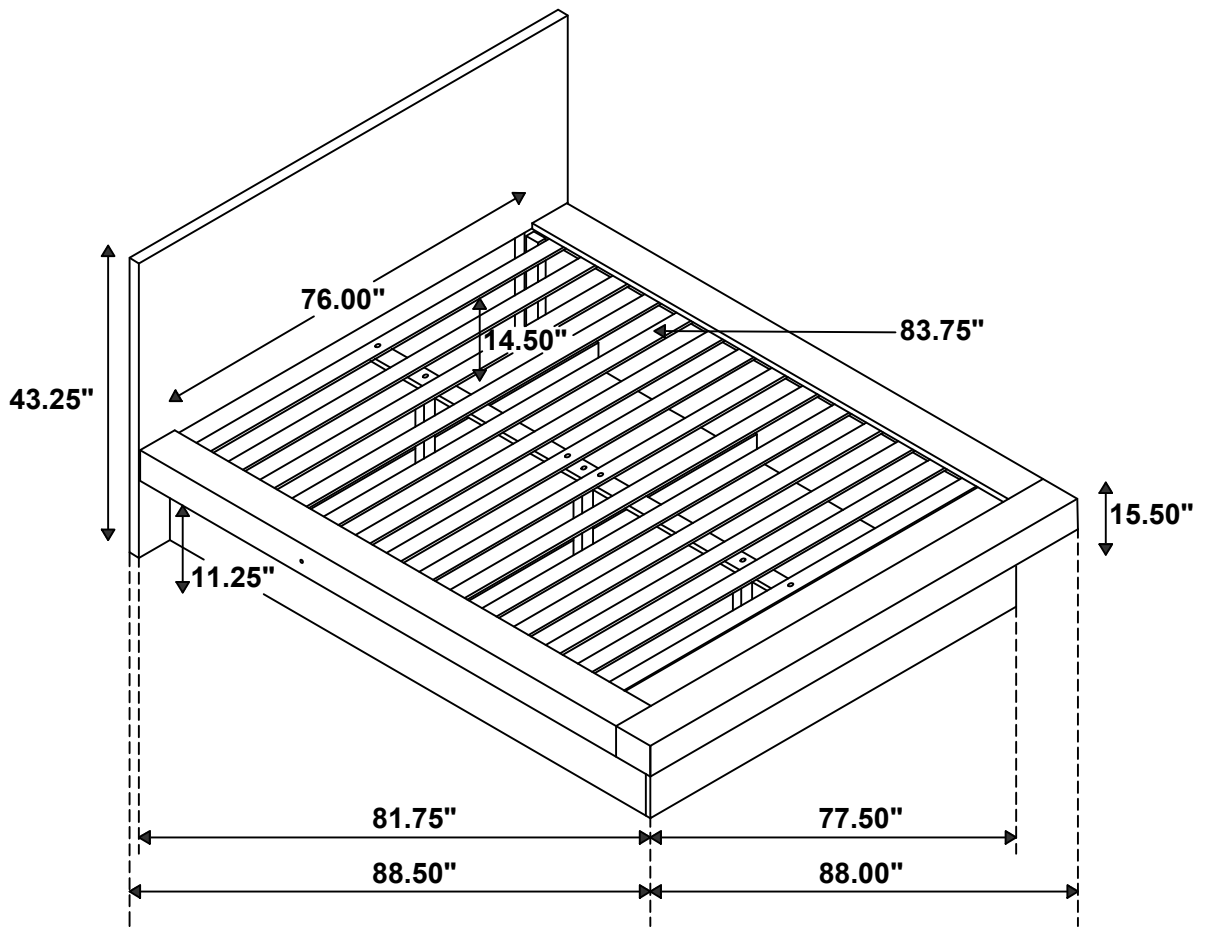
STEP 8



ASSEMBLY INSTRUCTIONS
STEP 9
COMPLETE



Inner Size : 76.00"W x 81.00"D



Note : Dimension tolerance $\pm 5\%$

ASSEMBLY INSTRUCTIONS



Fine Furniture for every stage of life

Nightstand

REVISION 0 : 05/14/2008
REVISION 1 : 12/04/2012
REVISION 2 : 08/08/2017
REVISION 3 : 09/11/2018
REVISION 4 : 12/02/2019
REVISION 5 : 07/05/2024

ASSEMBLY INSTRUCTIONS

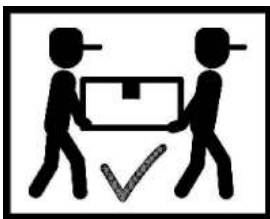
ASSEMBLY TIPS:

1. Remove hardware from box and sort by size.
2. Please check to see that all hardware and parts are present prior to start of assembly.
3. Please follow attached instructions in the same sequence as numbered to assure fast & easy assembly.



WARNING!

1. Don't attempt to repair or modify parts that are broken or defective. Please contact the store immediately.
2. This product is for home use only and not intended for commercial establishments.

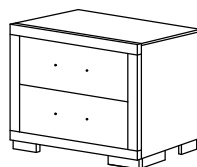


ASSEMBLY TIME

10 MINUTES

PARTS IDENTIFICATION

A NIGHTSTAND



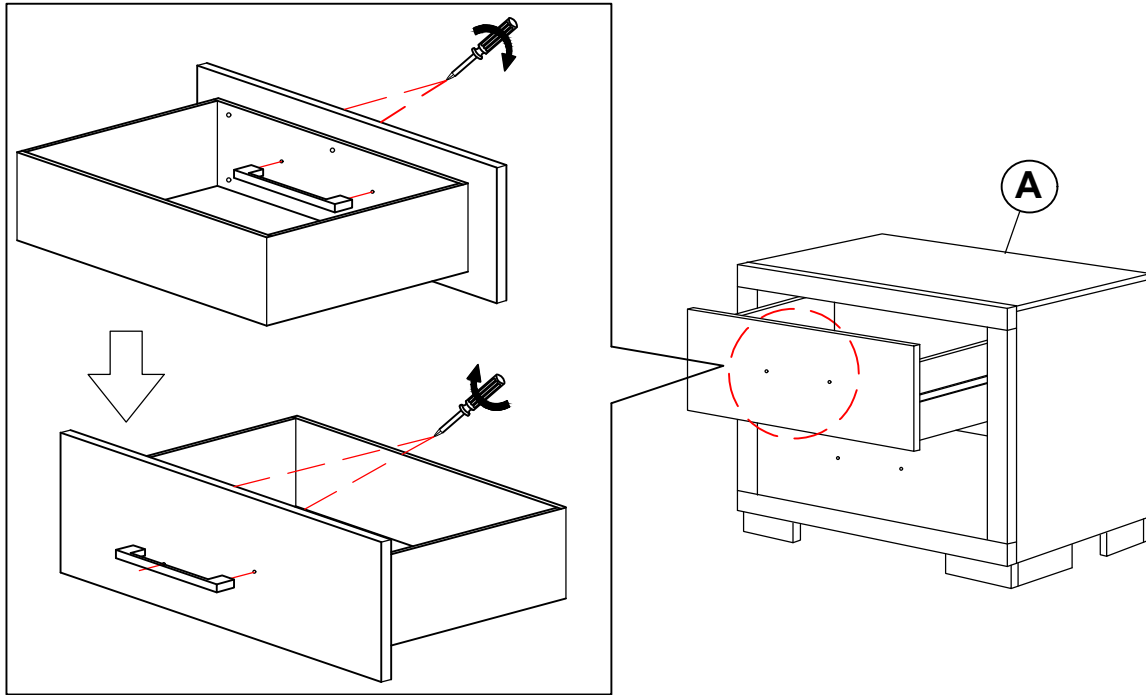
1PC

NOTE:

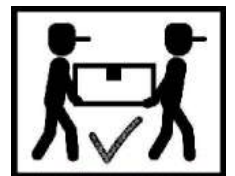
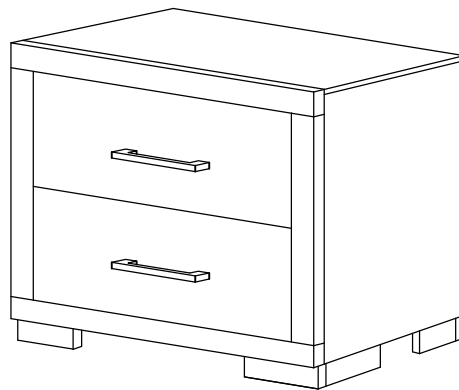
Phillips head screw driver is required in the assembly process; however, manufacturer does not provide this item.

ASSEMBLY INSTRUCTIONS

STEP 1



STEP 2 COMPLETE



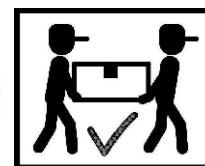
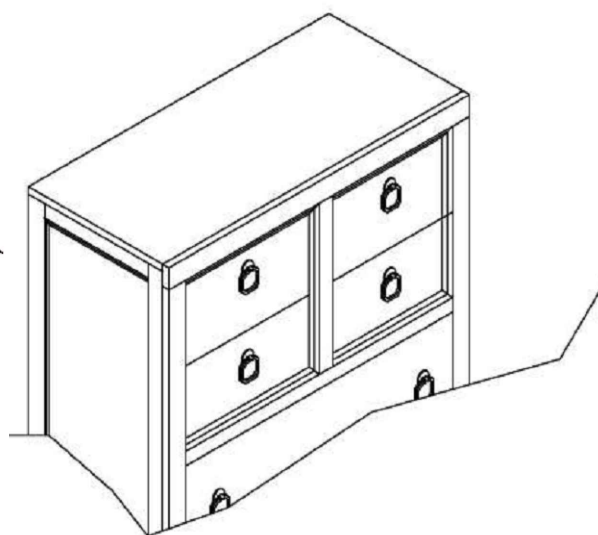
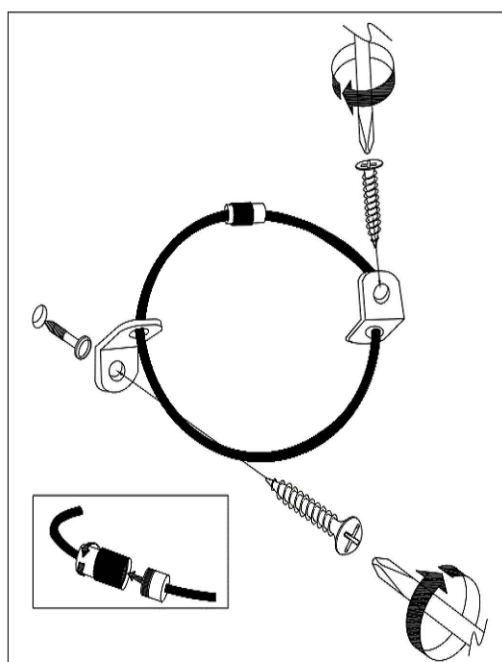
ANTI-TIPPING INSTALLMENT INSTRUCTIONS

FURNITURE TIPPING RESTRAINT

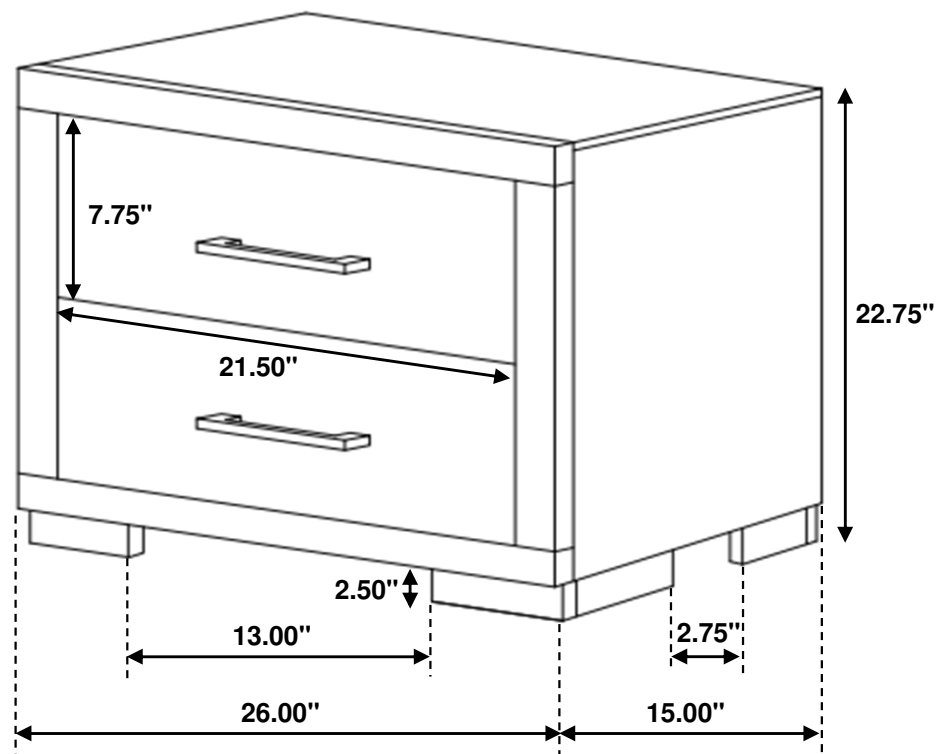
WARNING

Injury may result from tipping furniture.
This restraint may protect against tipping furniture.
Do not allow children to climb on furniture.
This restraint is not a substitute for proper adult supervision.
Failure to detach this restraint before moving the furniture may result in injury and damage.

1. Attach one of the mounting brackets securely to the back edge of the unit, using the short screw.
2. Determine where the unit is to be placed, and mark the location on the wall for the other mounting bracket. The bracket on the wall needs to be approximately 2" below the bracket mounted to the edge of the unit.
3. Drill a hole in the wall. Insert the plastic wall anchor into the hole and if necessary, use a small block of wood and hammer to tap it in so that it's flush with the wall.
4. Attach the bracket over the plastic wall anchor using the long screw.
5. Place the unit against the wall, both brackets need to be facing each other.
6. Lace an end of the restraint strap through the hole in each bracket. Bring both ends together and rotate the thumb nut onto the threaded end until tight.
7. Ensure that the restraint strap is securely laced and locked.



Inner Size of Drawer : 19.00"W x 12.75"D x 5.50"H x 0.50"T



Note : Dimension tolerance $\pm 5\%$

ASSEMBLY INSTRUCTIONS



Fine Furniture for every stage of life

Dresser

REVISION 0 : 05/14/2008
REVISION 1 : 12/04/2012
REVISION 2 : 08/08/2017
REVISION 3 : 09/11/2018
REVISION 4 : 12/02/2019
REVISION 5 : 07/05/2024

ASSEMBLY INSTRUCTIONS

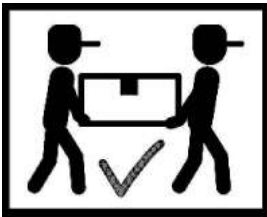
ASSEMBLY TIPS:

1. Remove hardware from box and sort by size.
2. Please check to see that all hardware and parts are present prior to start of assembly.
3. Please follow attached instructions in the same sequence as numbered to assure fast & easy assembly.



WARNING!

1. Don't attempt to repair or modify parts that are broken or defective. Please contact the store immediately.
2. This product is for home use only and not intended for commercial establishments.



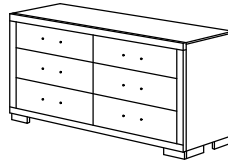
ASSEMBLY TIME

10 MINUTES

PARTS IDENTIFICATION

A

DRESSER



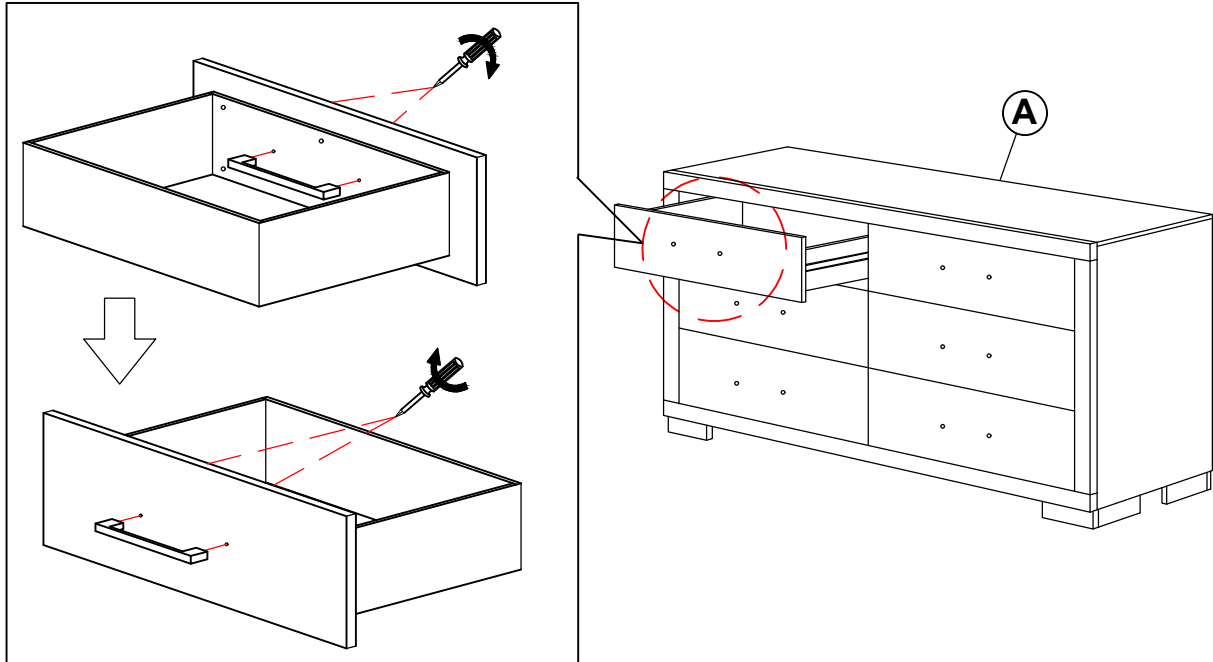
1PC

NOTE:

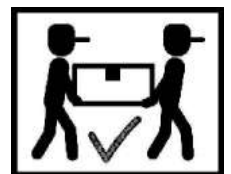
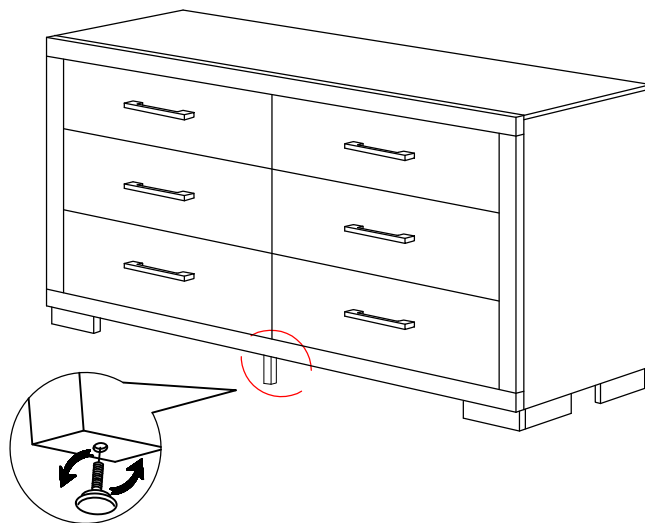
Phillips head screw driver is required in the assembly process; however, manufacturer does not provide this item.

ASSEMBLY INSTRUCTIONS

ASSEMBLY INSTRUCTIONS STEP 1



STEP 2 COMPLETE



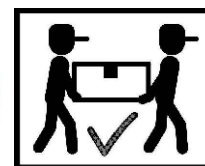
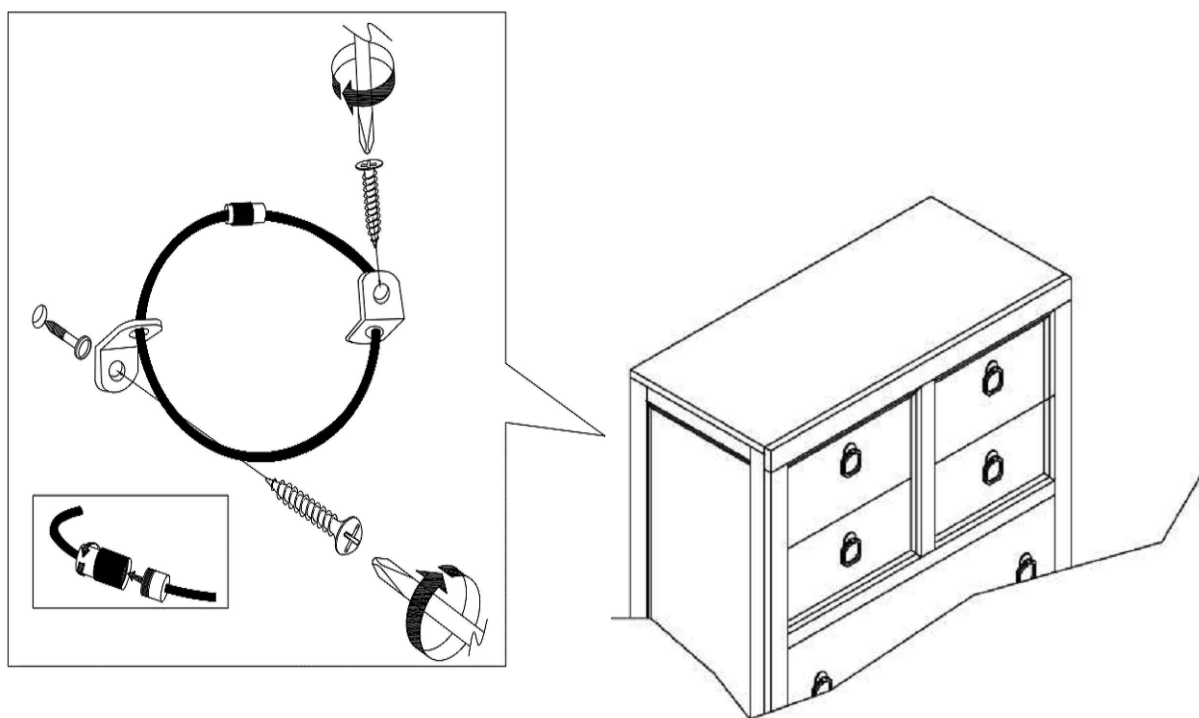
ANTI-TIPPING INSTALLMENT INSTRUCTIONS

FURNITURE TIPPING RESTRAINT

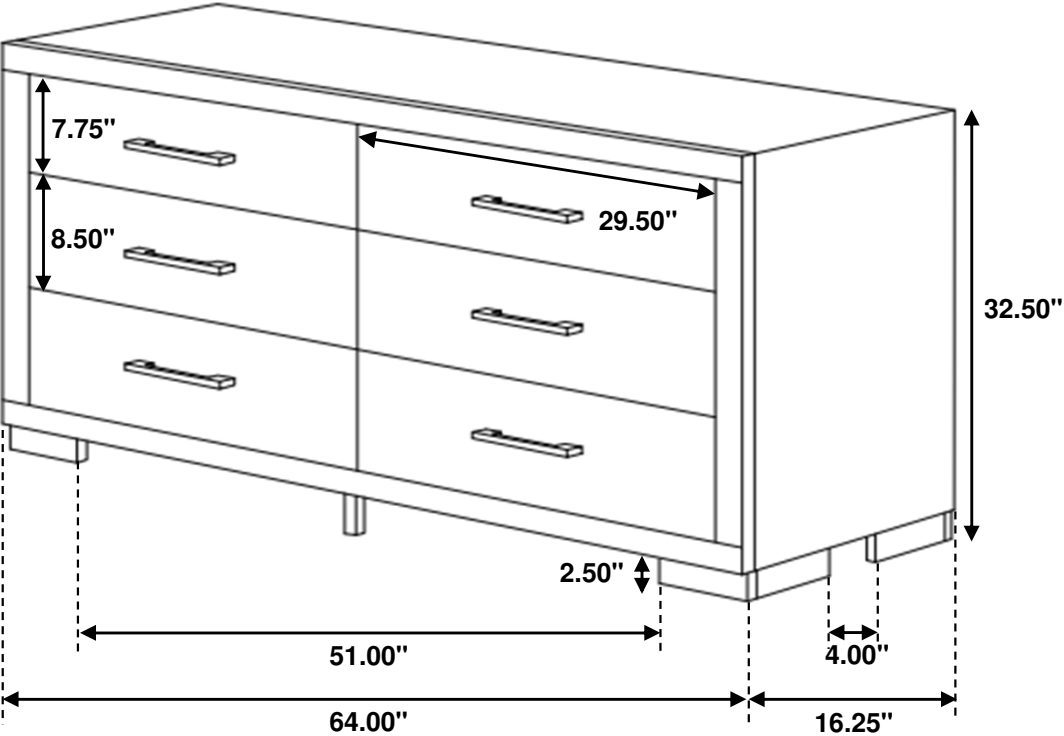
WARNING

Injury may result from tipping furniture.
This restraint may protect against tipping furniture.
Do not allow children to climb on furniture.
This restraint is not a substitute for proper adult supervision.
Failure to detach this restraint before moving the furniture may result in injury and damage.

1. Attach one of the mounting brackets securely to the back edge of the unit, using the short screw.
2. Determine where the unit is to be placed, and mark the location on the wall for the other mounting bracket. The bracket on the wall needs to be approximately 2" below the bracket mounted to the edge of the unit.
3. Drill a hole in the wall. Insert the plastic wall anchor into the hole and if necessary, use a small block of wood and hammer to tap it in so that it's flush with the wall.
4. Attach the bracket over the plastic wall anchor using the long screw.
5. Place the unit against the wall, both brackets need to be facing each other.
6. Lace an end of the restraint strap through the hole in each bracket. Bring both ends together and rotate the thumb nut onto the threaded end until tight.
7. Ensure that the restraint strap is securely laced and locked.

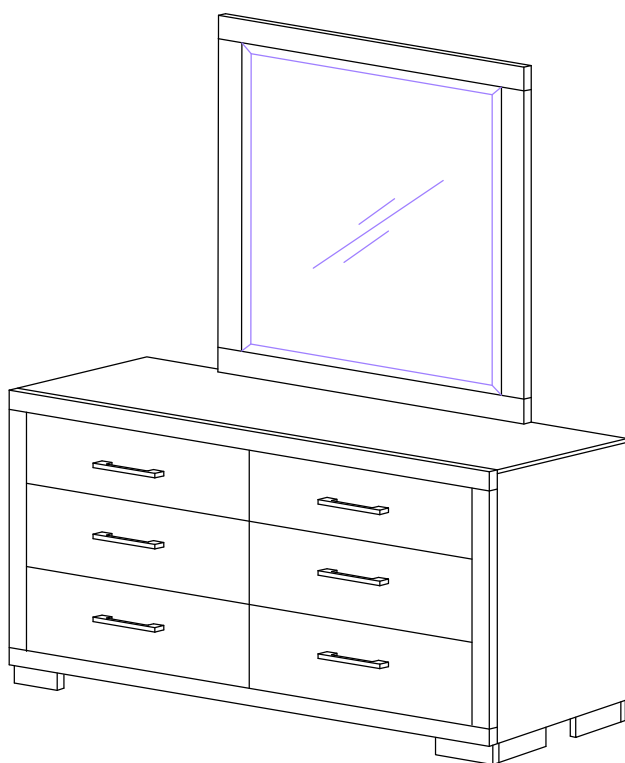


Inner Size of Drawer : 26.75"W x 12.75"D x 5.50"H x 0.50"T



Note : Dimension tolerance $\pm 5\%$

ASSEMBLY INSTRUCTIONS



Fine Furniture for every stage of life

Mirror

REVISION 0 : 05/14/2008
REVISION 1 : 12/04/2012
REVISION 2 : 08/08/2017
REVISION 3 : 09/11/2018
REVISION 4 : 12/02/2019
REVISION 5 : 09/09/2023

PAGE 1 OF 4

ASSEMBLY INSTRUCTIONS

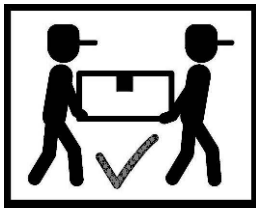
ASSEMBLY TIPS:

1. Remove hardware from box and sort by size.
2. Please check to see that all hardware and parts are present prior to start of assembly.
3. Please follow attached instructions in the same sequence as numbered to assure fast & easy assembly.



WARNING!

1. Don't attempt to repair or modify parts that are broken or defective. Please contact the store immediately.
2. This product is for home use only and not intended for commercial establishments.

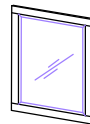


ASSEMBLY TIME

10 MINUTES

PARTS IDENTIFICATION

A MIRROR



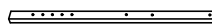
1PC

B DRESSER



1PC

C MIRROR SUPPORT
(PACKED WITH DRESSER)



2PCS

HARDWARE IDENTIFICATION

1 SHORT FLAT HEAD SCREW
(M4 x 32mm - BLK)



4PCS

2 LONG FLAT HEAD SCREW
(M4 x 45mm - BLK)



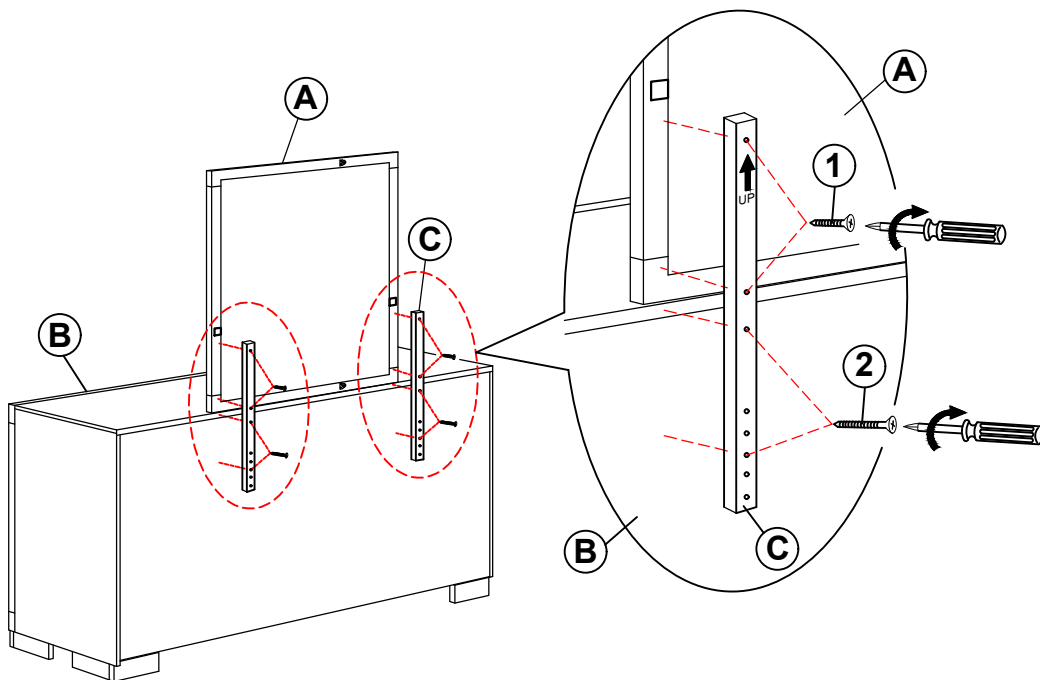
4PCS

NOTE:

Phillips head screw driver is required in the assembly process; however, manufacturer does not provide this item.

ASSEMBLY INSTRUCTIONS

STEP 1



STEP 2

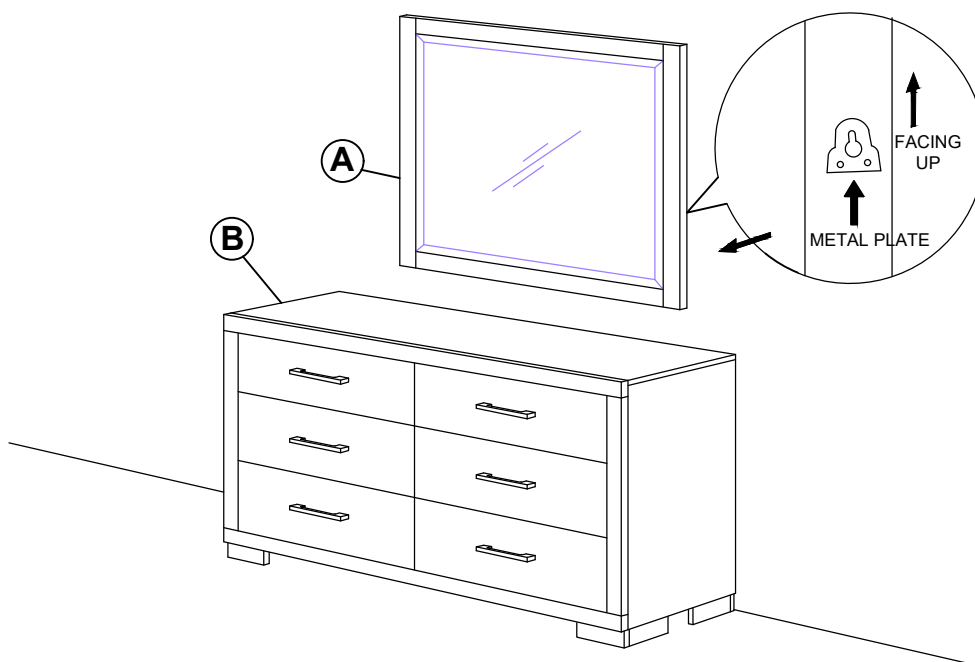
(OPTIONAL)

Align and hang the mirror against the wall in landscape orientation with both left and right pre-fixed metal bracket in correct orientation.

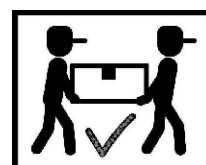
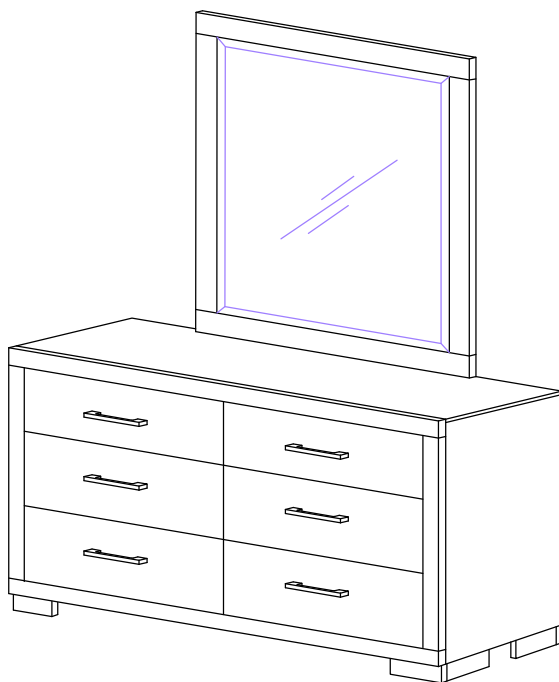
Note : Screws or fittings to fix the mirror to the wall are not included. Choose screws or fittings that are suitable to the wall material and have sufficient holding power.

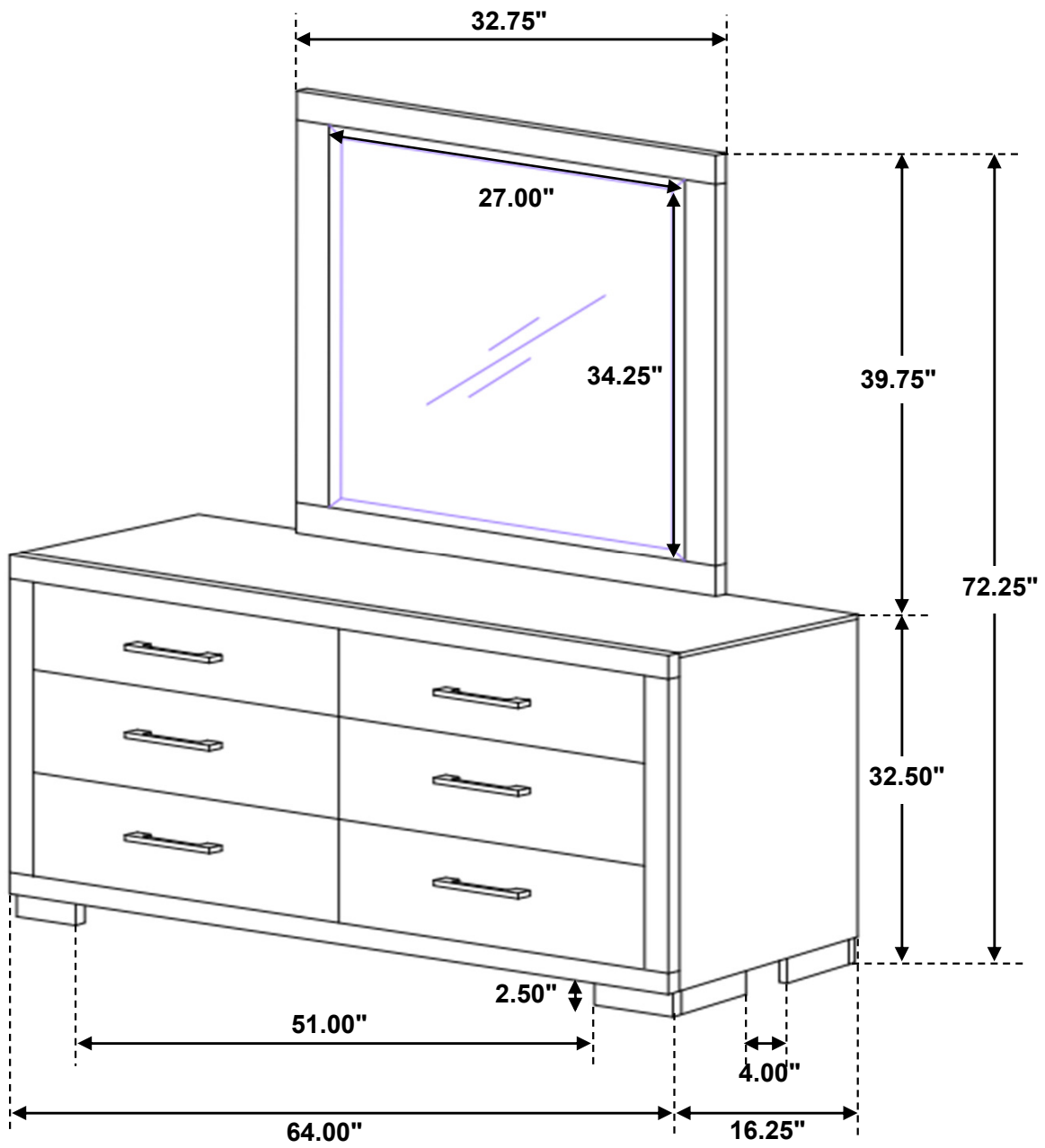
If you are uncertain, contact your local specialised retailer.

Warning : Wrong assembly can lead to the mirror toppling or falling resulting in personal injury or damage.



ASSEMBLY INSTRUCTIONS
STEP 3
COMPLETE





Note : Dimension tolerance $\pm 5\%$