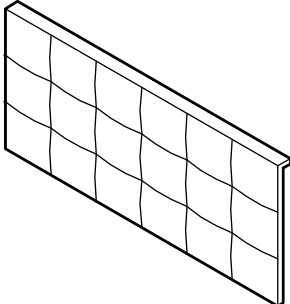
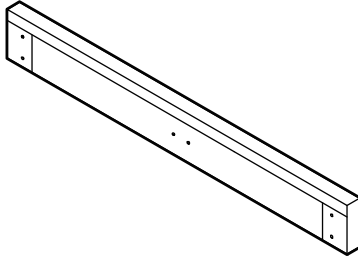
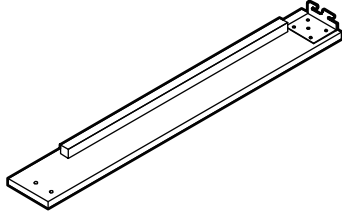
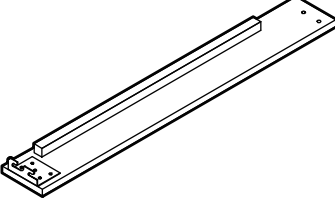



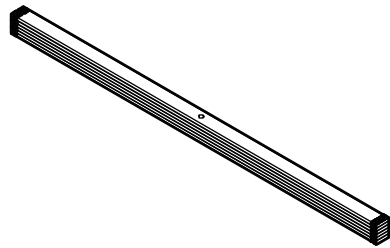
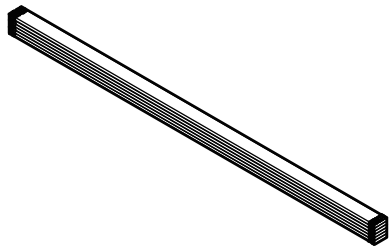
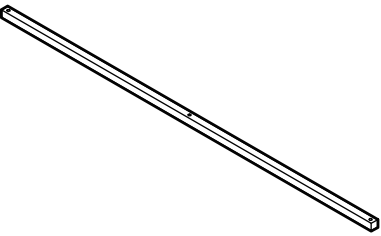
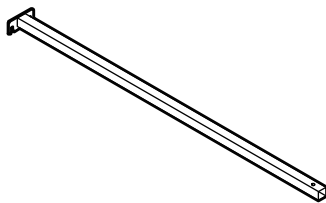
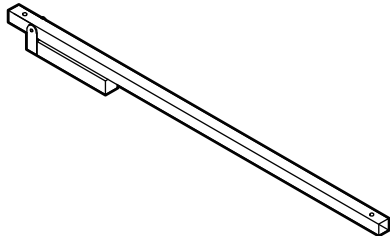
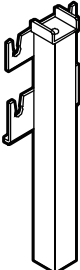
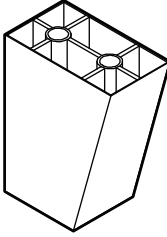
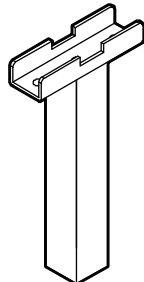


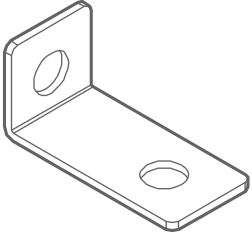
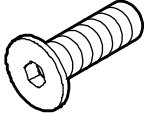
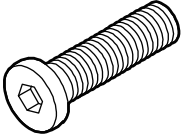
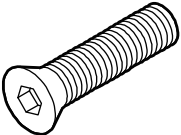
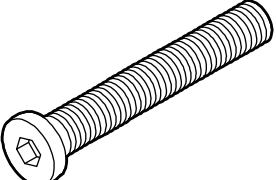
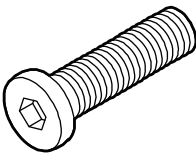
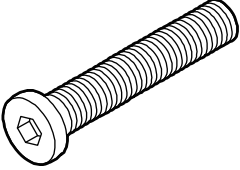
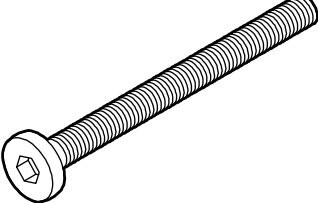
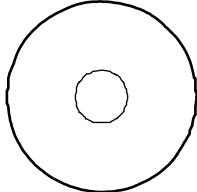

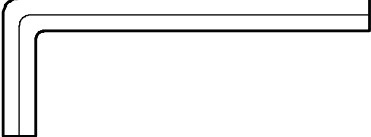
PLATFORM BED

ORIGINAL INSTRUCTION MANUAL



PARTS LIST

<p>A</p>  <p>1×</p>	<p>B</p>  <p>1×</p>	<p>C</p>  <p>2×</p>
<p>D</p>  <p>2×</p>	<p>A1</p>  <p>1×</p>	<p>A2</p>  <p>1×</p>
<p>A3</p>  <p>2×</p>	<p>E</p>  <p>1×</p>	<p>E1</p>  <p>1×</p>
<p>F</p>  <p>1×</p>	<p>G1</p>  <p>1×</p>	<p>G</p>  <p>1×</p>
<p>F1</p>  <p>2×</p>	<p>H</p>  <p>2×</p>	<p>I</p>  <p>1×</p>

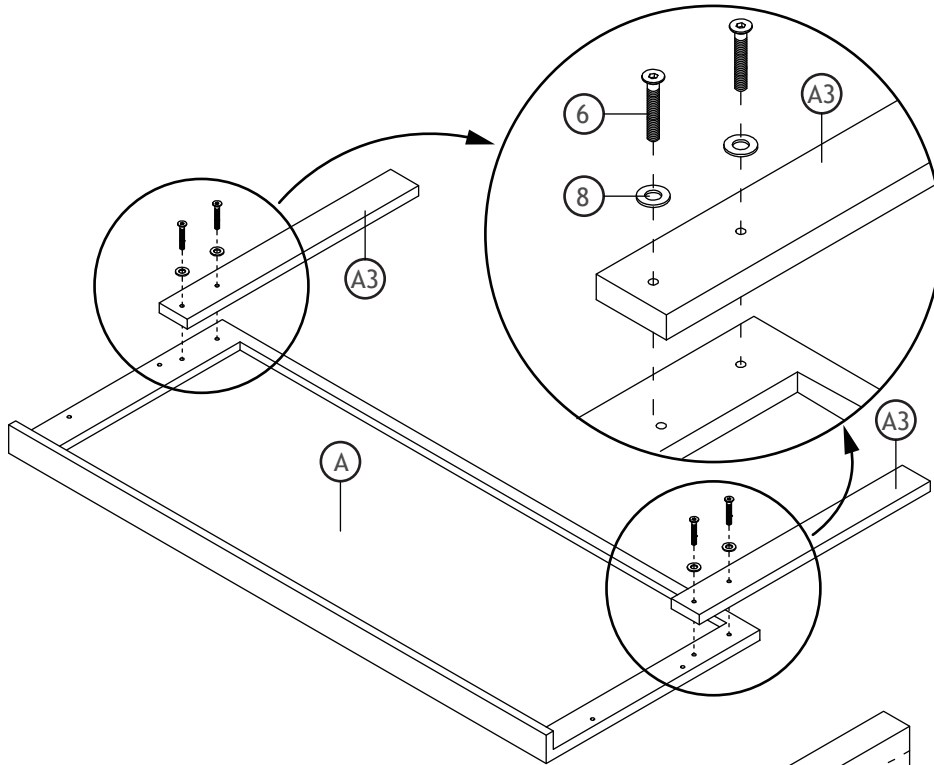
<p>J</p> 	<p>6×1</p>  <p>M8×18MM</p>	<p>20×2</p>  <p>M8×25MM</p>	<p>8×</p>
<p>3</p>  <p>M8×25MM</p>	<p>2×4</p>  <p>M8×50MM</p>	<p>2×5</p>  <p>M8×35MM</p>	<p>4×</p>
<p>6</p>  <p>M8×45MM</p>	<p>4×7</p>  <p>M6×70MM</p>	<p>4×8</p>  <p>M8</p>	<p>10×</p>
<p>9</p>  <p>M6 Spanner</p>	<p>1×10</p>  <p>M8 Spanner</p>		<p>1×</p>

ASSEMBLY

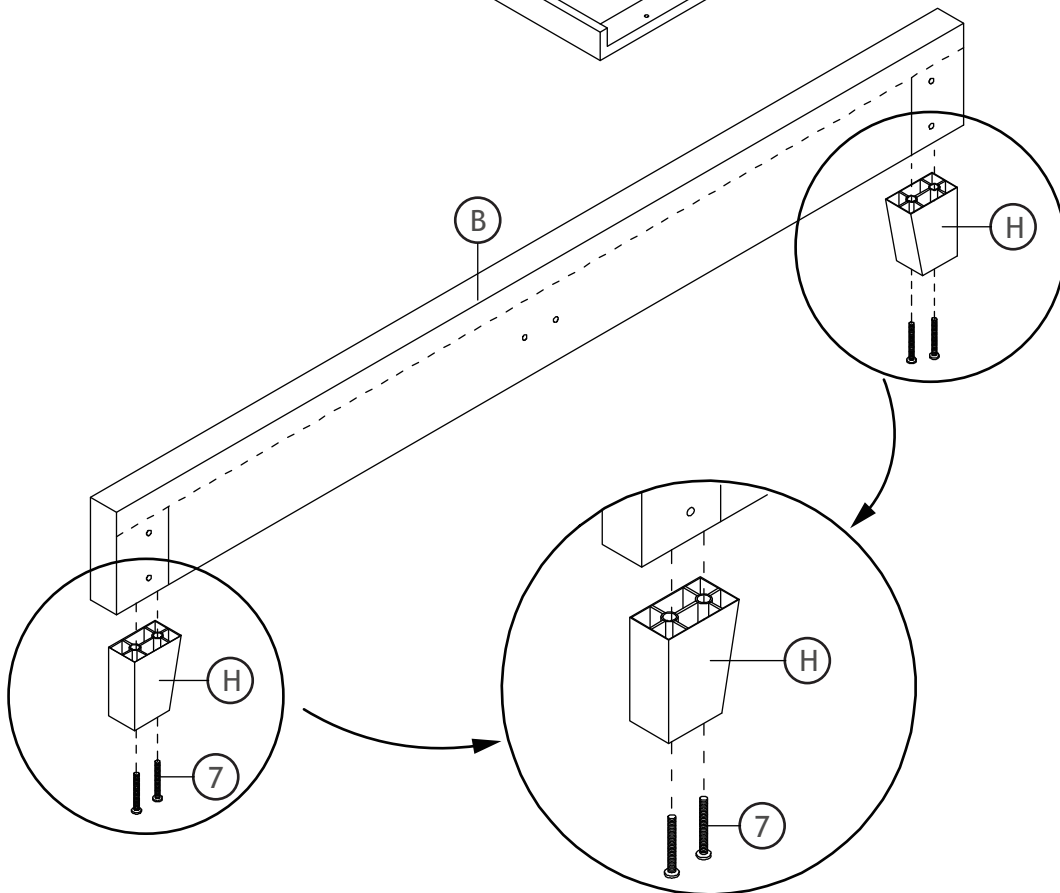
Before your installation, please make sure that you have all the parts listed on the manual. If you find something missing, stop installing and contact your supplier immediately.

NOTE: Please do not completely tighten all the hardware until the entire assembly is completed!

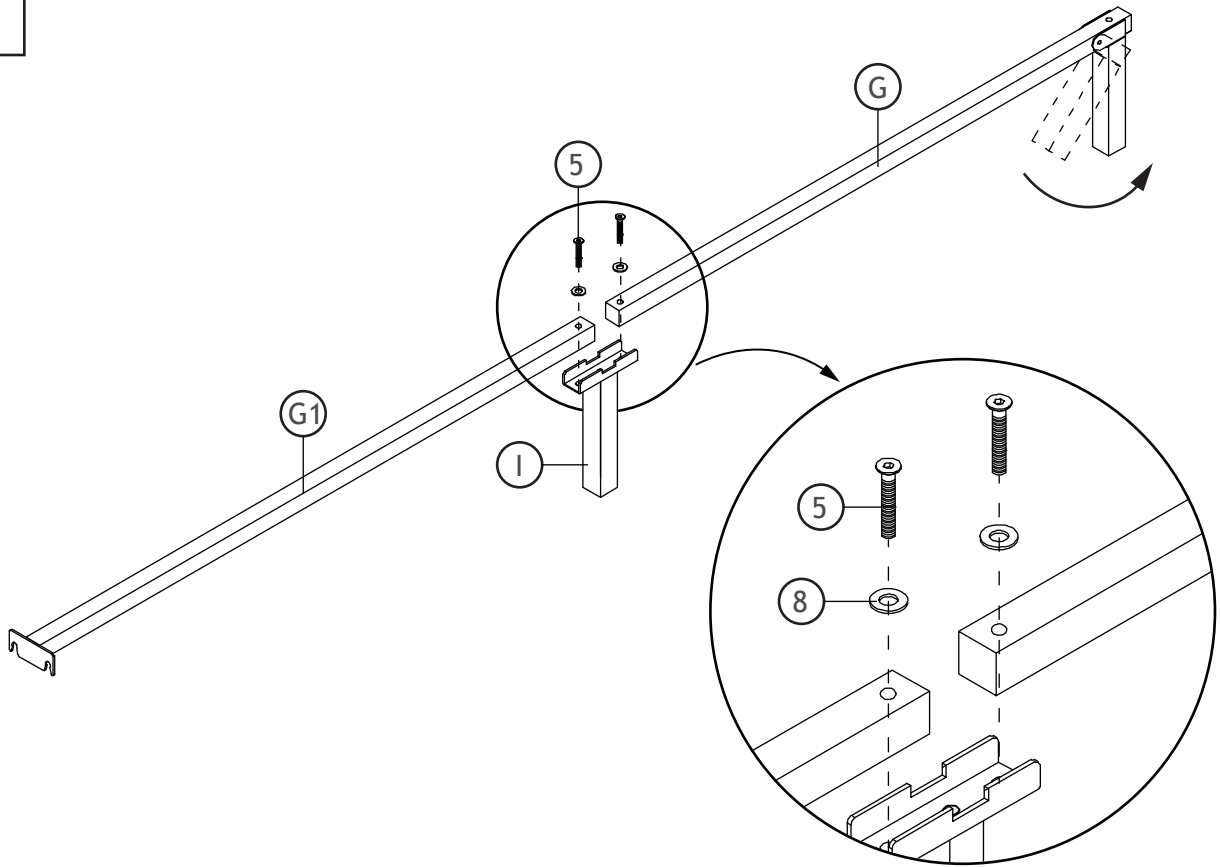
1



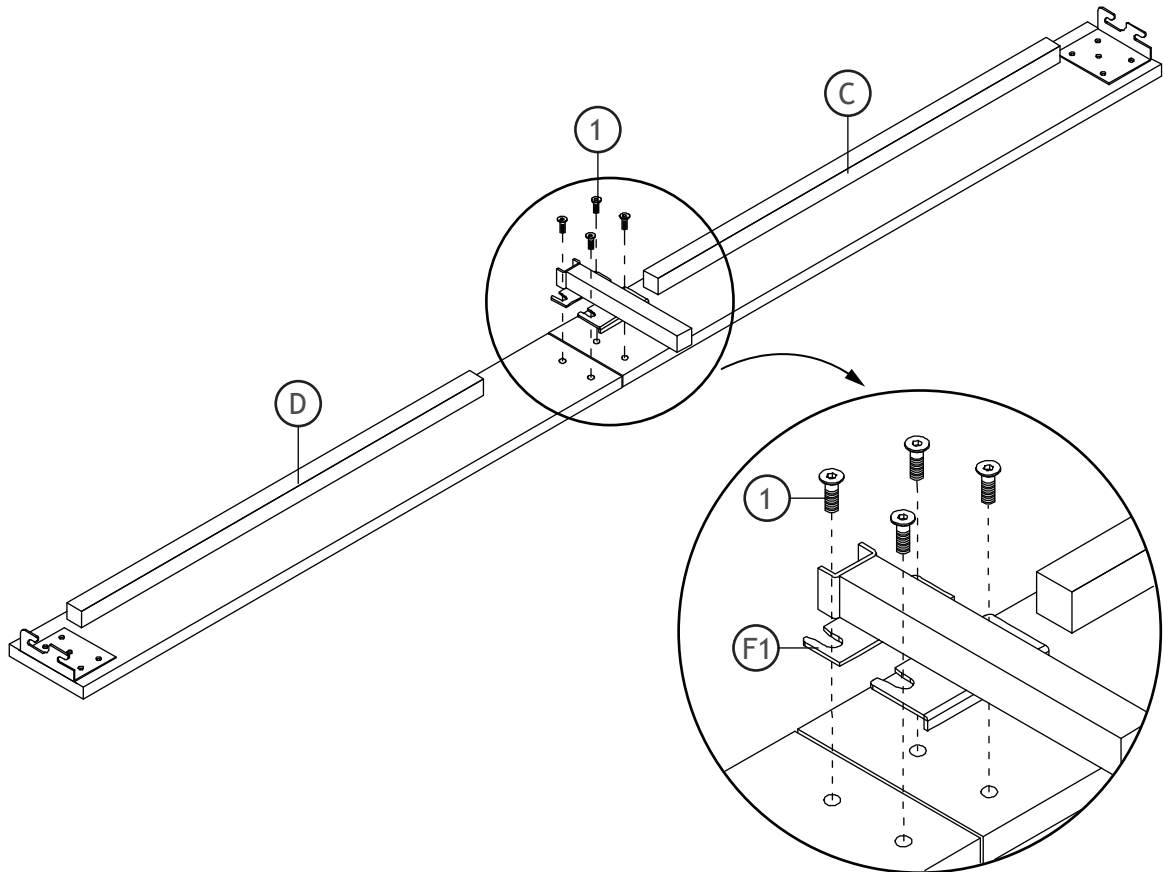
2



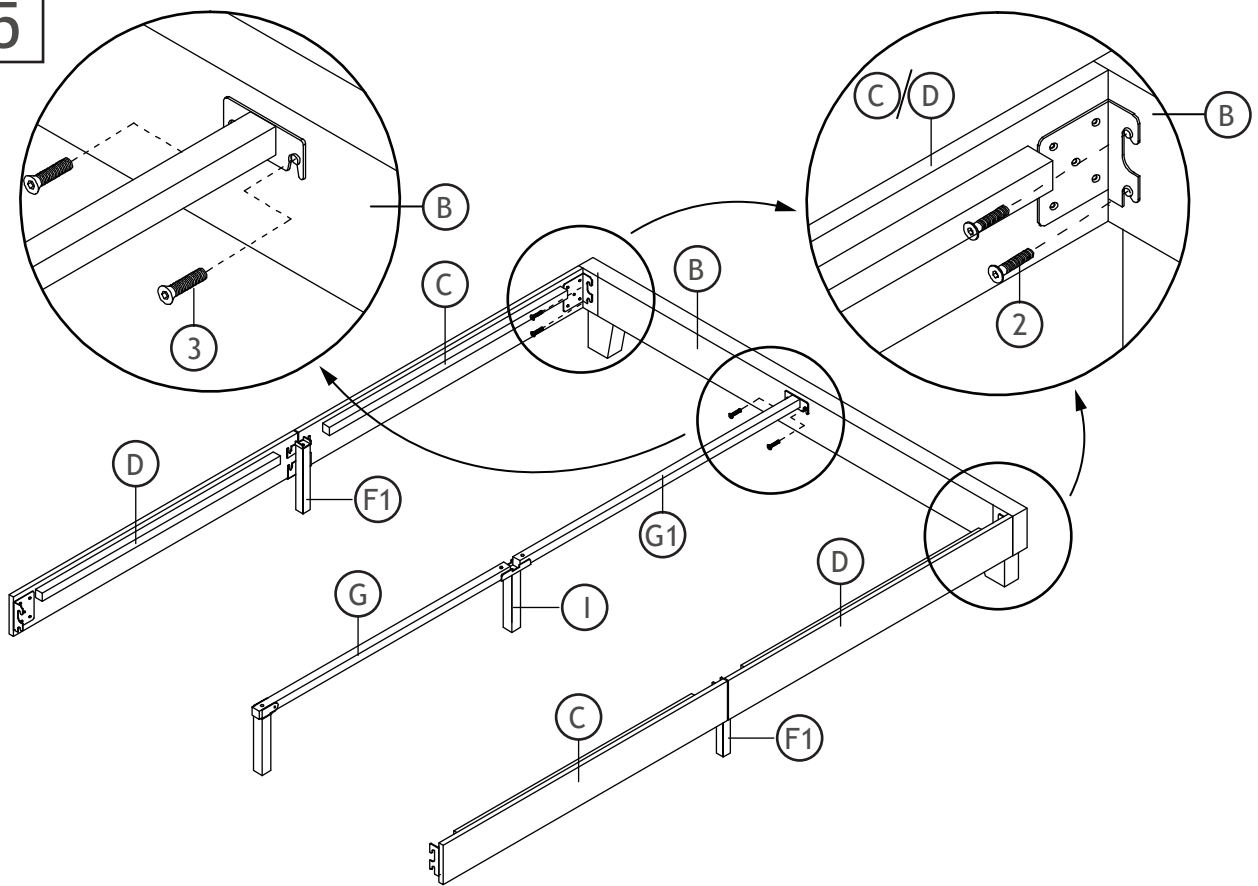
3



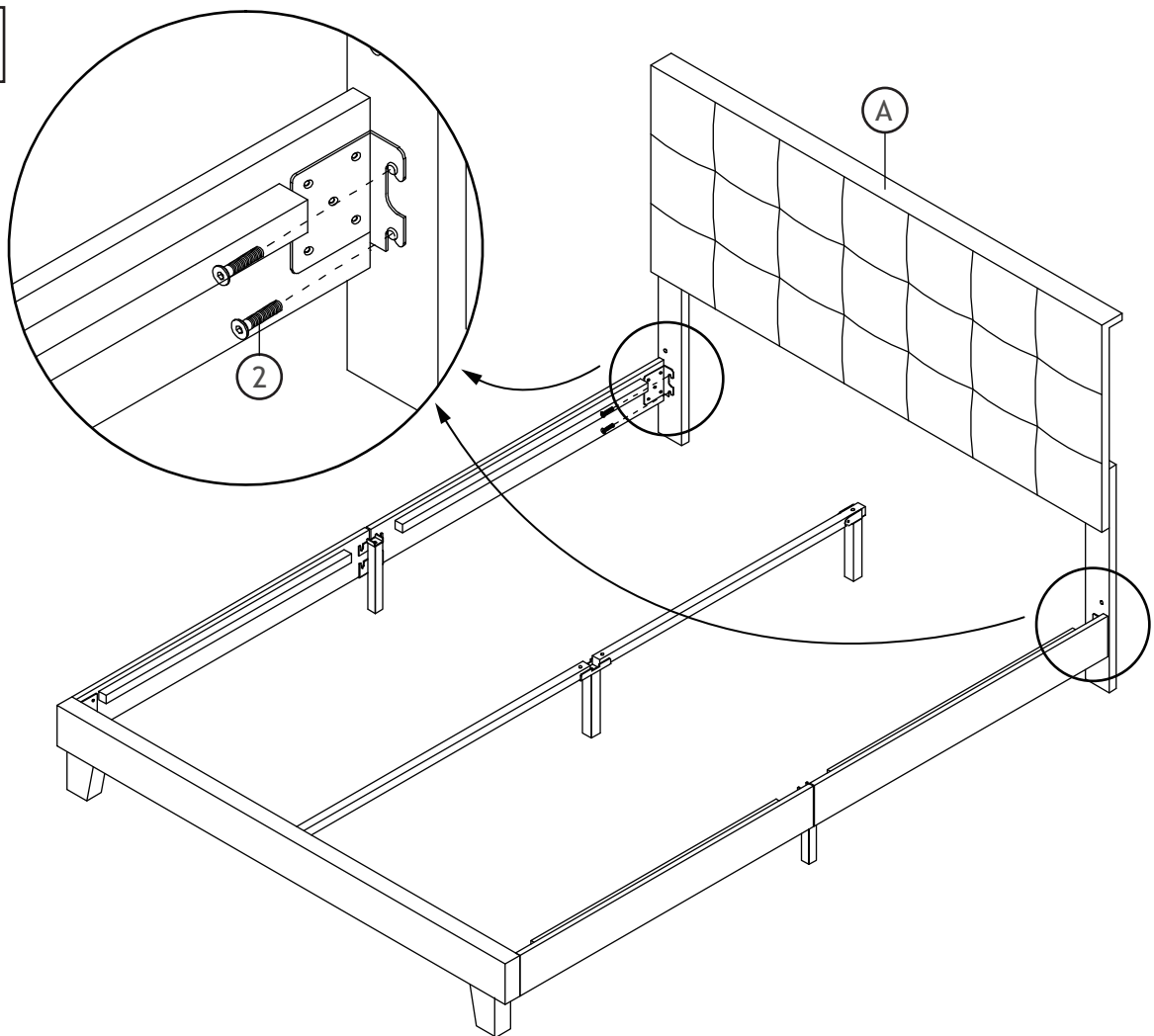
4



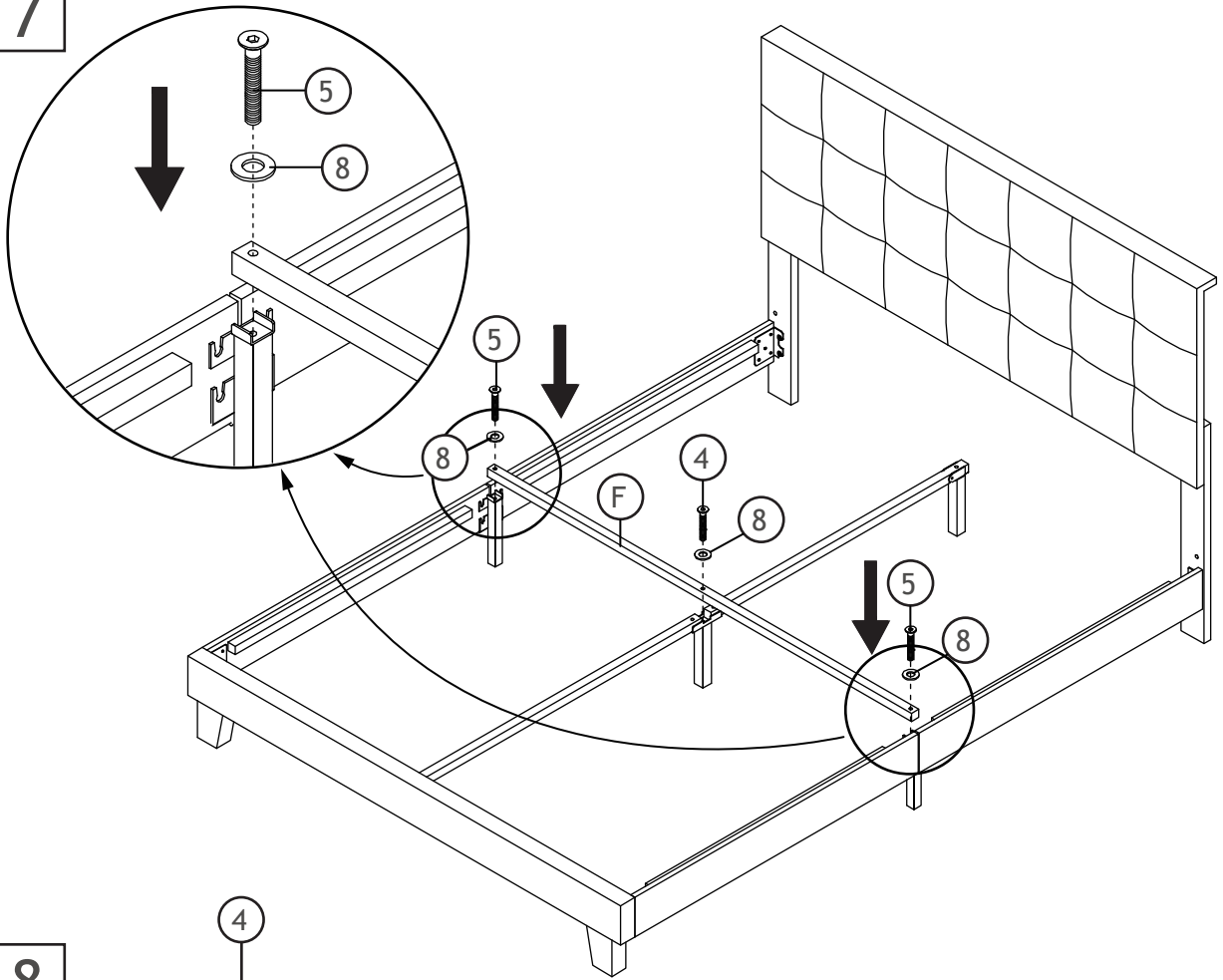
5



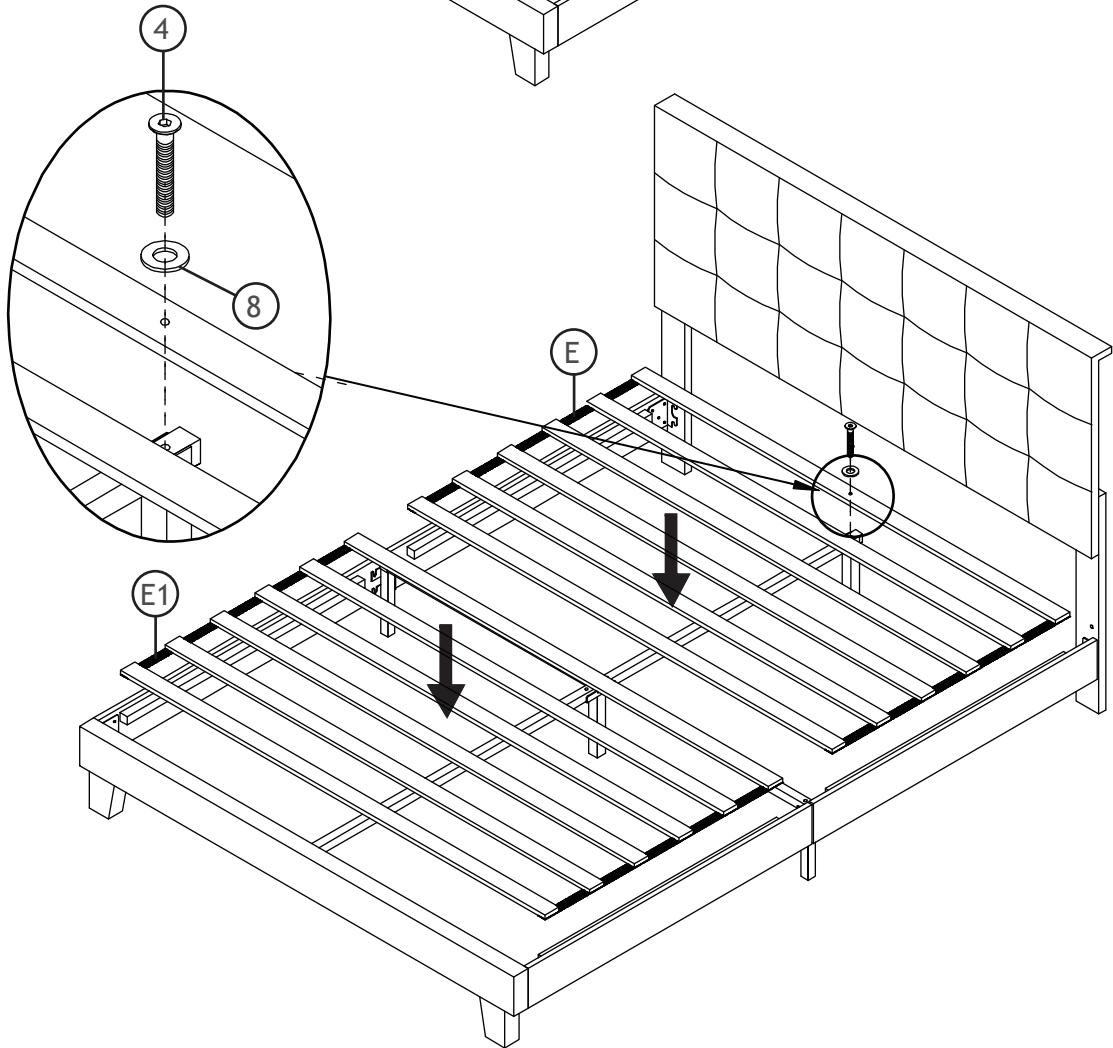
6



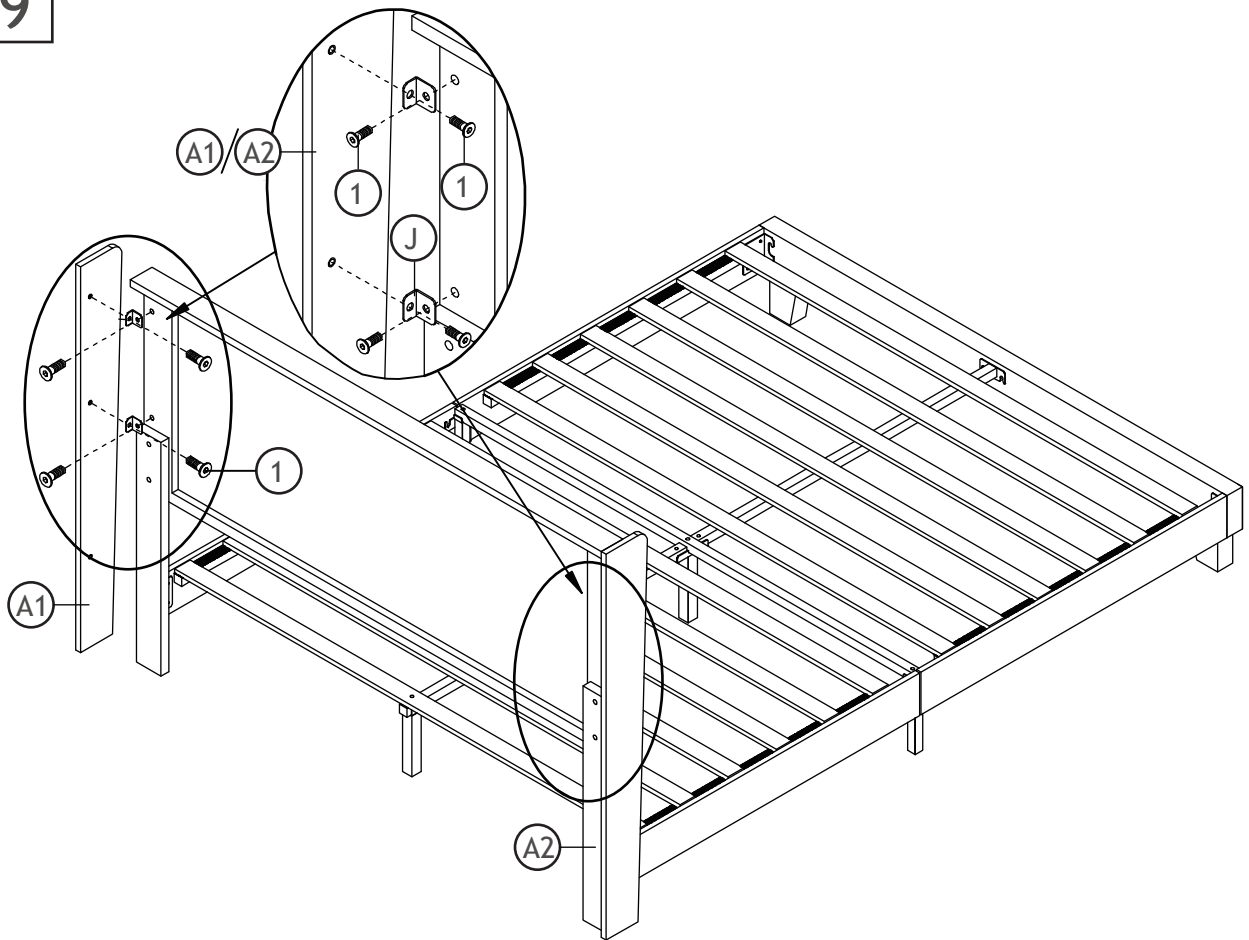
7



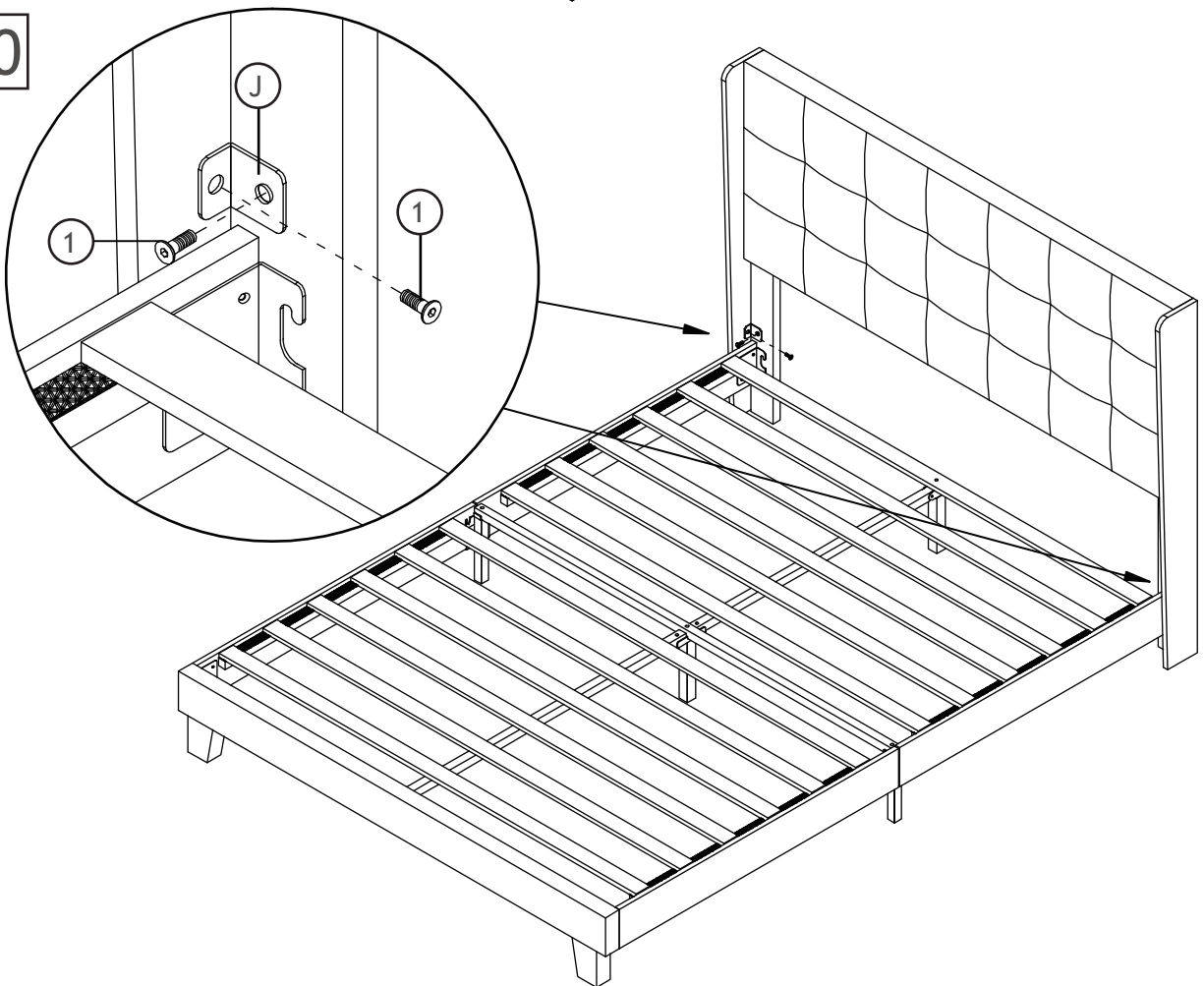
8



9



10



11



Assembly end