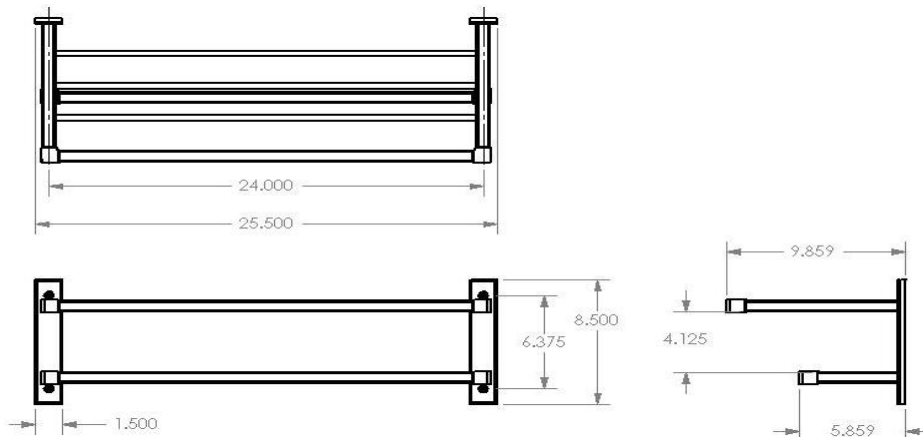


Preferred Bath Accessories Inc.
1031 E Mountain St. Kernersville, NC 27284
PH: 888-315-8816 FAX: 866-496-8122
www.preferredbathinc.com



1012-24SS POLISHED 304 STAINLESS
STEEL PRE-ASSEMBLED TOWEL
SHELF WITH 1 BAR
TECHNICAL DATA



Installation: **NO ASSEMBLY REQUIRED, TOWEL SHELF IS PRE-ASSEMBLED**

Step 1 - Remove from package and rotate clockwise until shelf and bar are perpendicular to one another.

Step 2 - Attach shelf to wall using 4 - #10 2" stainless steel screws.

Wood blocking is preferred

Materials:

- Wall Flange - 35 gauge stamped 304 stainless steel
- Back Brace Plate - Hot Rolled Steel Zinc Plated
- Shelf Tubing - 39 gauge 3/4" O.D. 304 stainless steel
- Towel Bar Tubing - 39 gauge 3/4" O.D. 304 stainless steel
- Rack Bars - 23 gauge 3/8" O.D. 304 stainless steel
- Corner brackets - Polished Chrome zinc die cast with PVD finish
- 4 - #10 2" stainless steel screws

Simply Unfold and Install

STEP 1



STEP 2



Limited Warranty

Preferred Bath Accessories Inc. warrants to the purchaser that the product will be free from defects in material and workmanship. If the product does not comply with this warranty, Preferred Bath Accessories Inc. will repair or replace the product or, at Preferred Bath Accessories Inc.'s option, refund the purchase price. The limited warranty period is for the lifetime of the product. Limitations on the Warranty: The warranty does not cover, normal wear and tear, product abuse, neglect, improper installation or maintenance. Purchaser Requirements: If this product does not meet Preferred Bath Accessories Inc.'s warranty, return the product (postage prepaid) to the place of purchase with proof of purchase and a written claim briefly describing the defect. You may be required to provide other information or evidence of the defect.