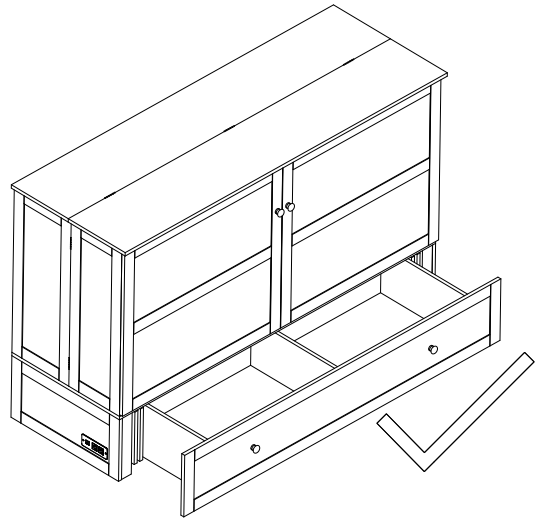
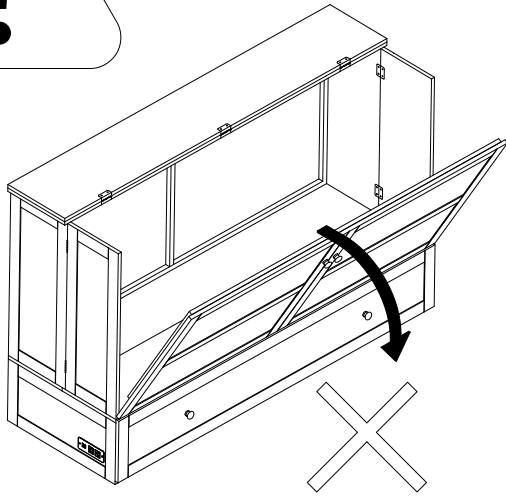
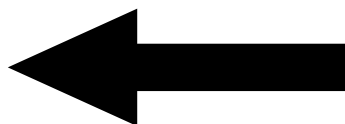
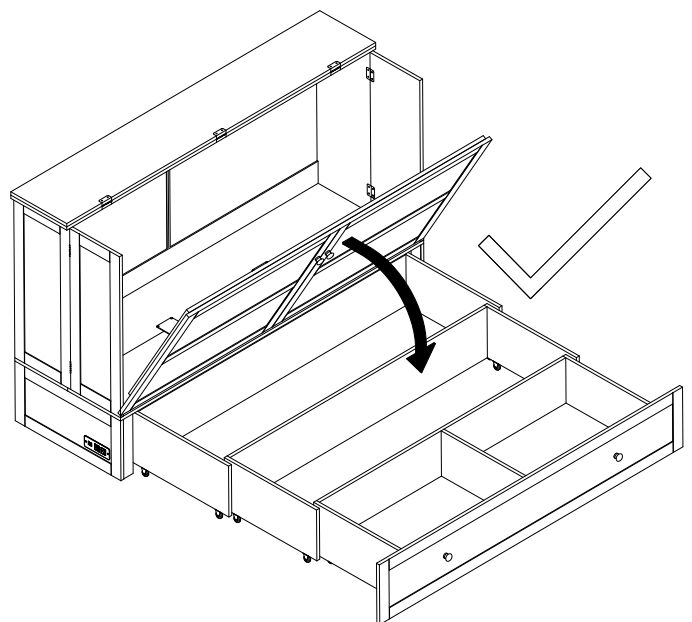
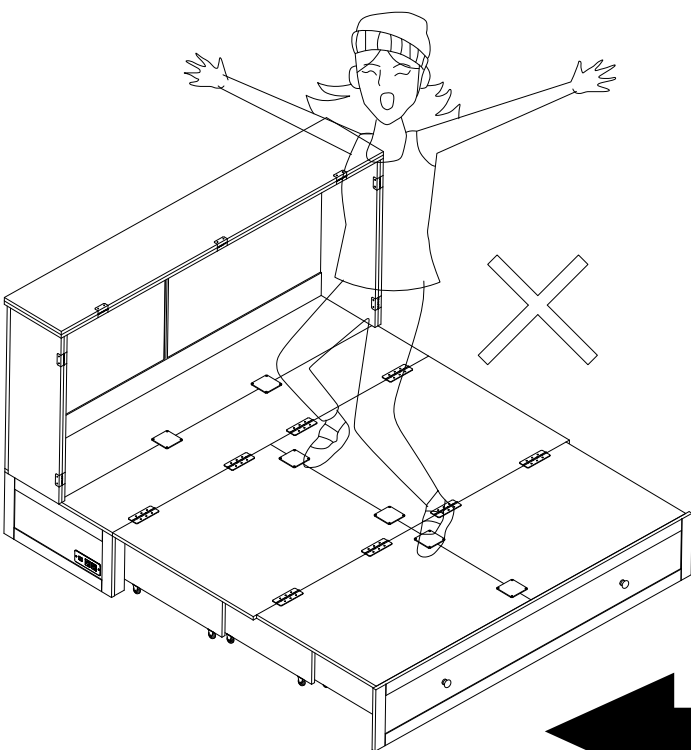
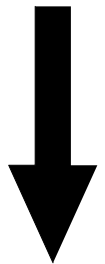


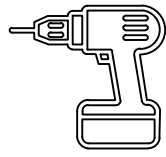
# Product Usage Instructions



NO JUMPING.



# INSTALLATION GUIDE

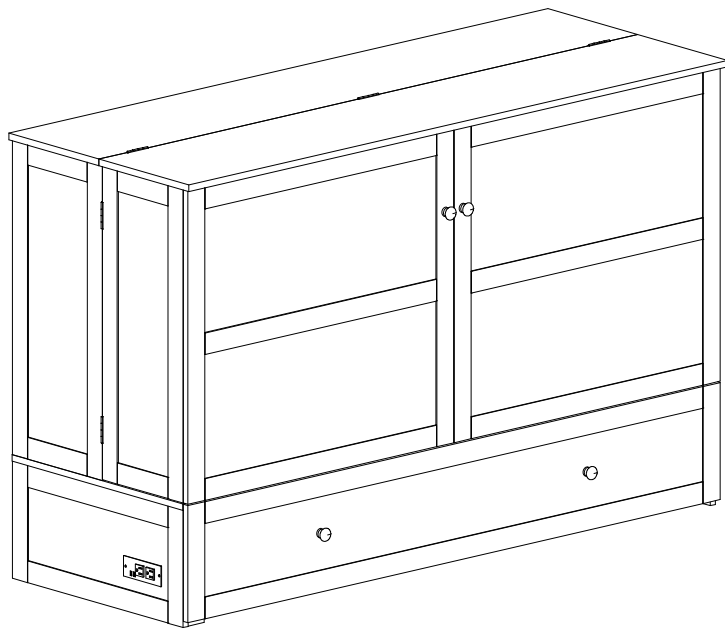


Suggest using electric tools for installation

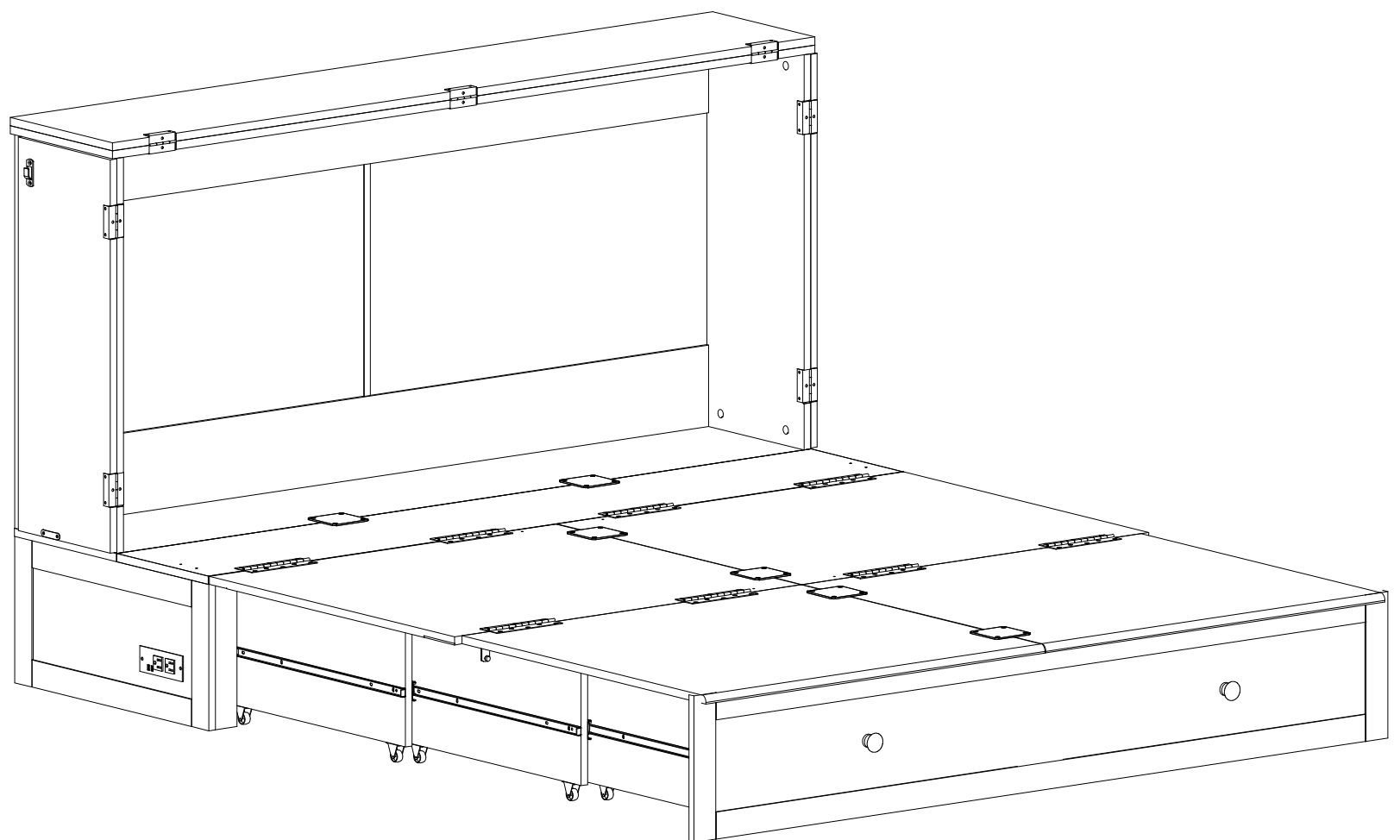
---

---

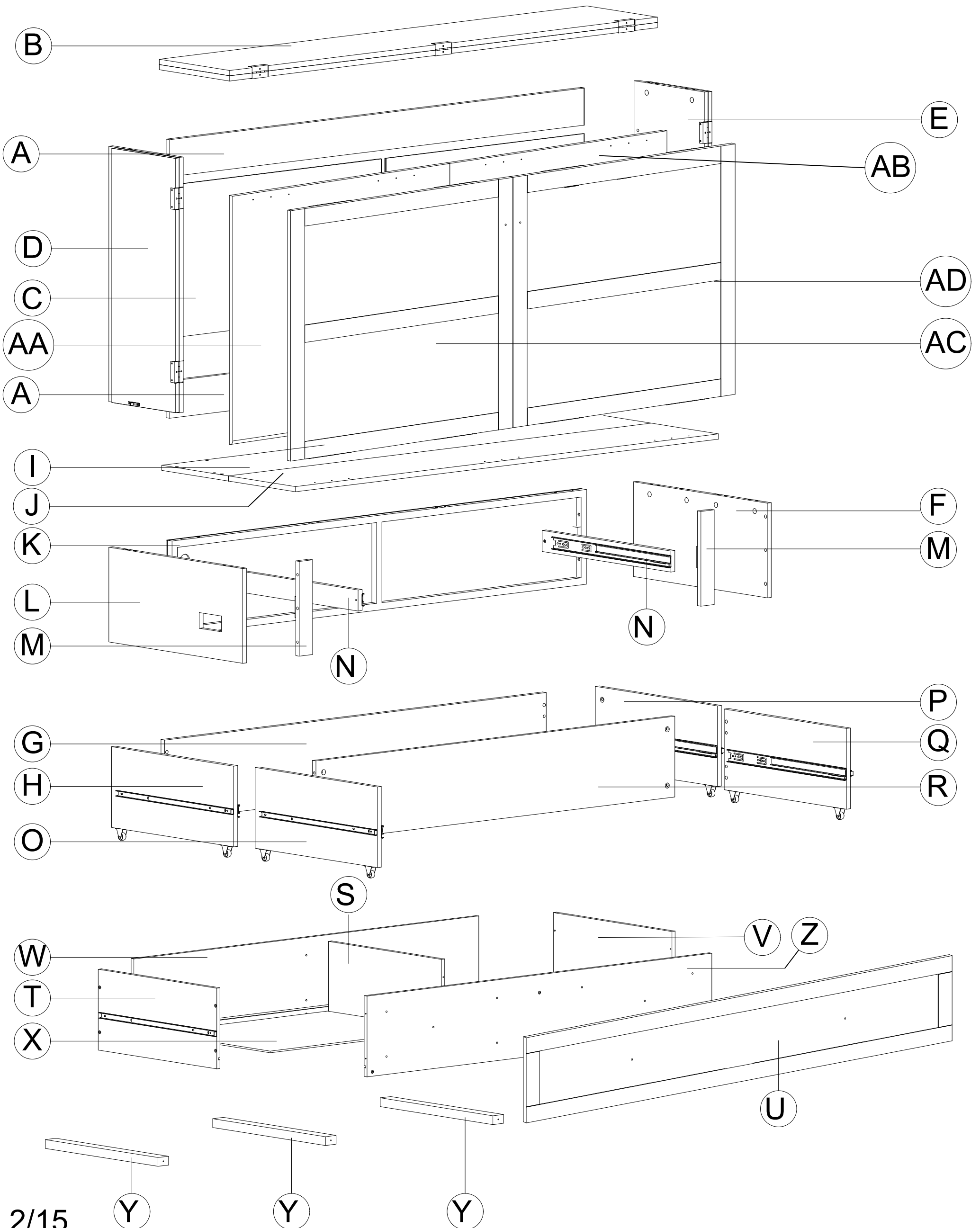
SKU:16001H



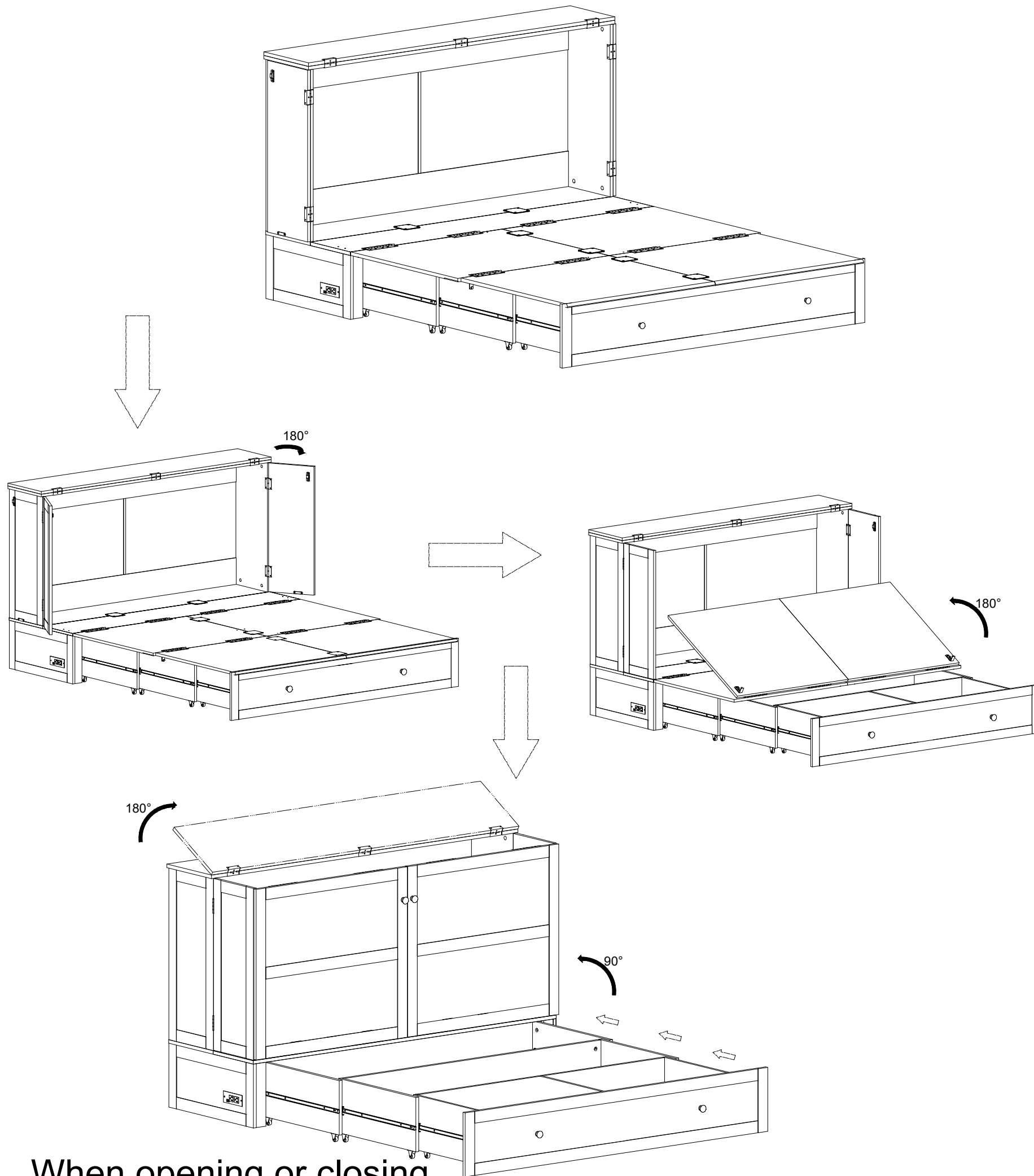
SKU:16004H



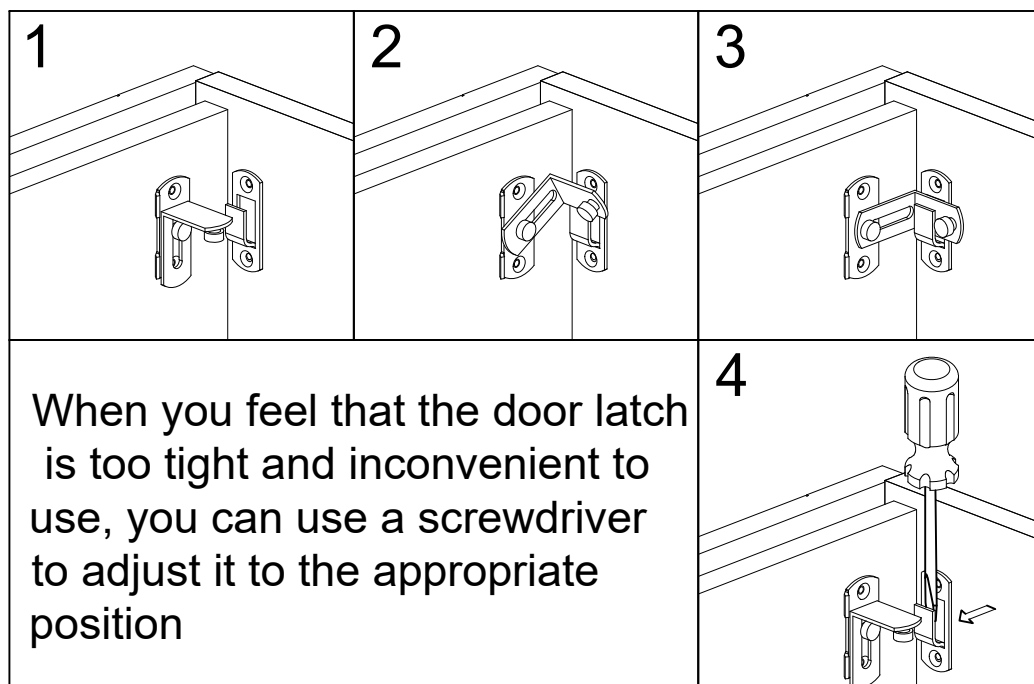
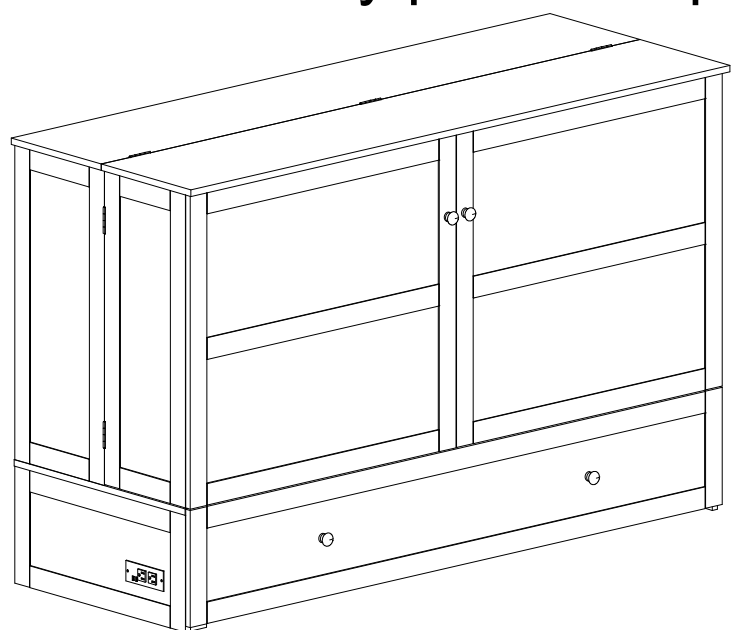
The Red Mark on component J represents the bottom surface

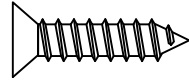
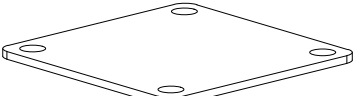
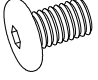
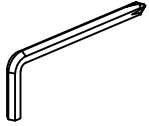


# STEP 21

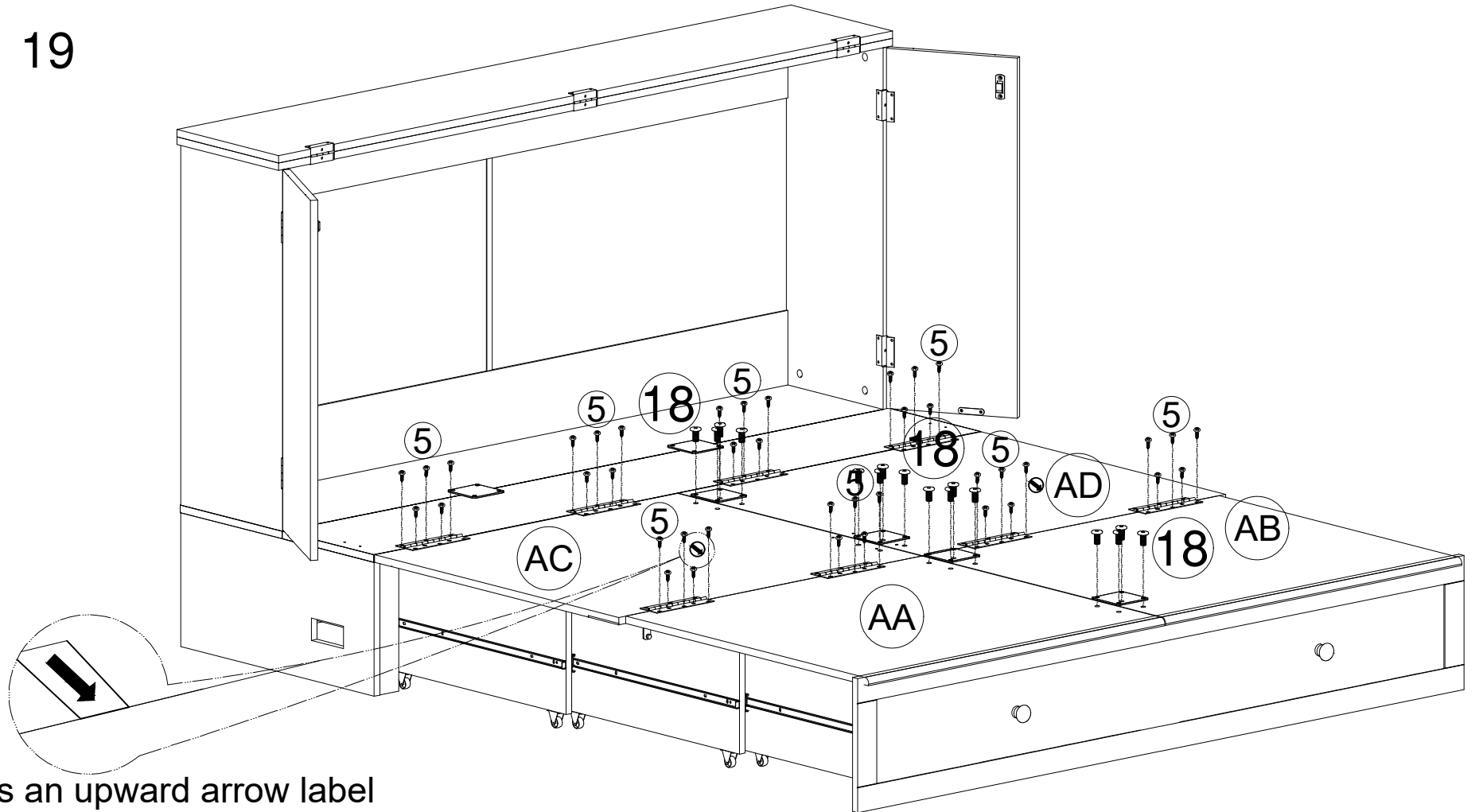


When opening or closing, it is recommended to use both hands to simultaneously push and pull


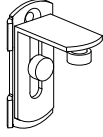


5	 #7 x 3.5x14	40 PCS	18	 80*80*2.5	4 PCS
19	 M6*12	16 PCS	14		1 PCS

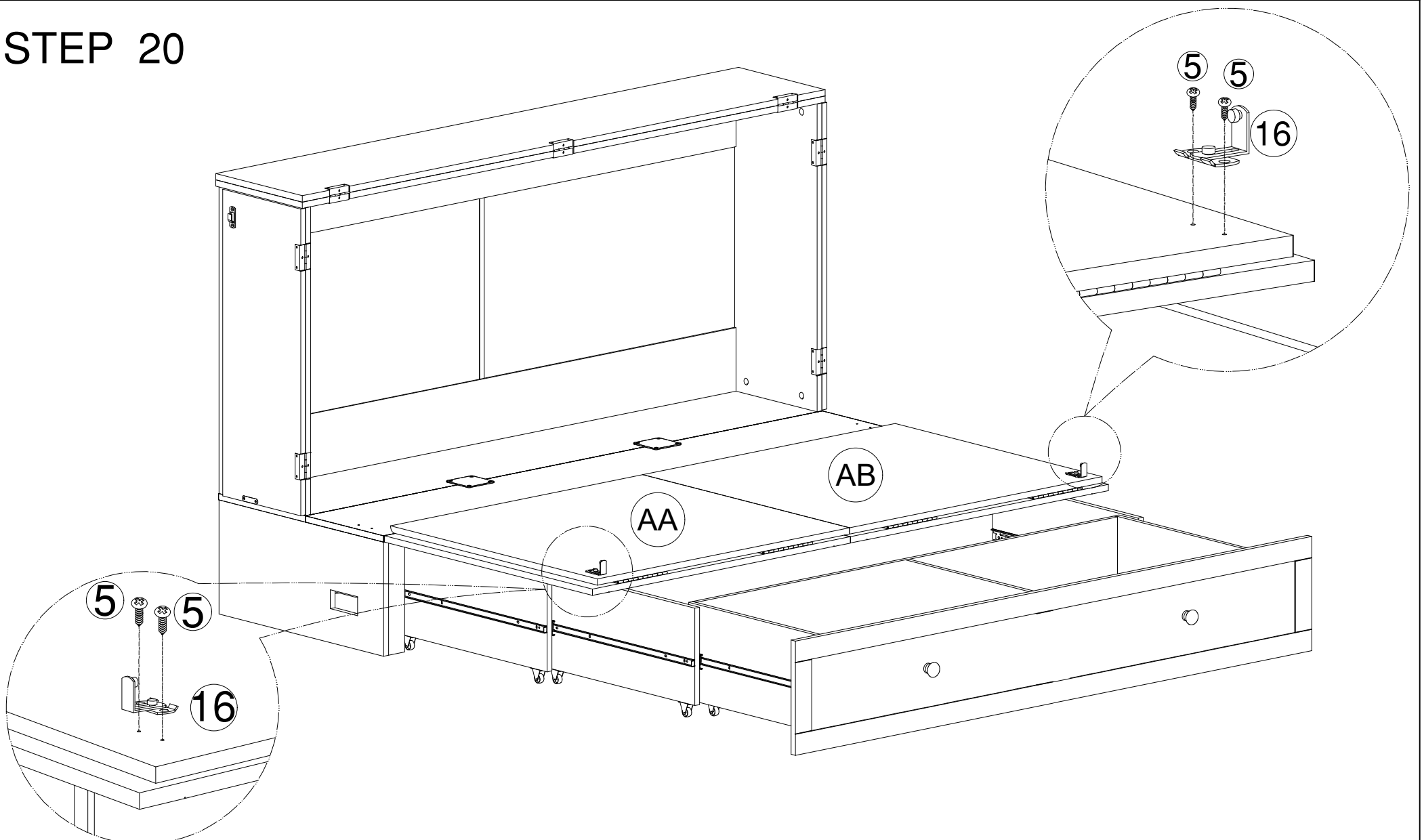
STEP 19

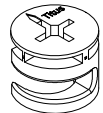
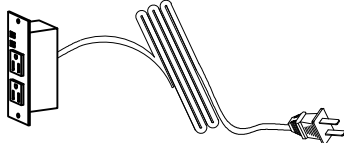
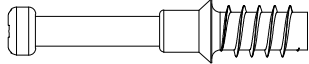
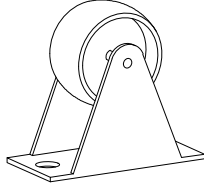



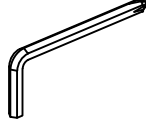

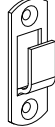
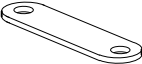
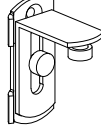
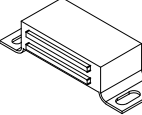


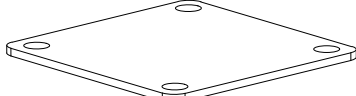

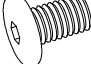
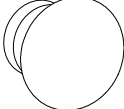


There is an upward arrow label attached to the door panel

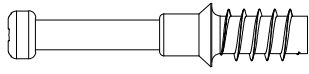
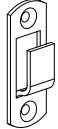
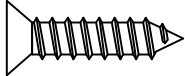

5	 #7-φ3.5X14	4 PCS	16		2 PCS
---	---	-------	----	---	-------

STEP 20

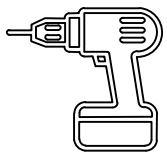


①	 KD Cam	44 PCS	⑪		1 PCS
②		44 PCS	⑫		14 PCS
③	 #8-Ø4X30	30 PCS	⑬	 #8-Ø4X20	8 PCS
④	 8 x 30MM	38 PCS	⑭		1 PCS
⑤	 #7-φ3.5X14	86 PCS	⑮		2 PCS
⑥	 Accessories 6-7, separate during installation	2 PCS	⑯		2 PCS
⑦	 Accessories 6-7, separate during installation	2 PCS	⑰	 L=428mm	1 PCS
⑧	 M4 X 30mm	2 PCS	⑱	 80*80*2.5	6 PCS
⑨	 M4 X25mm	2 PCS	⑲	 M6*12	24 PCS
⑩		4 PCS			

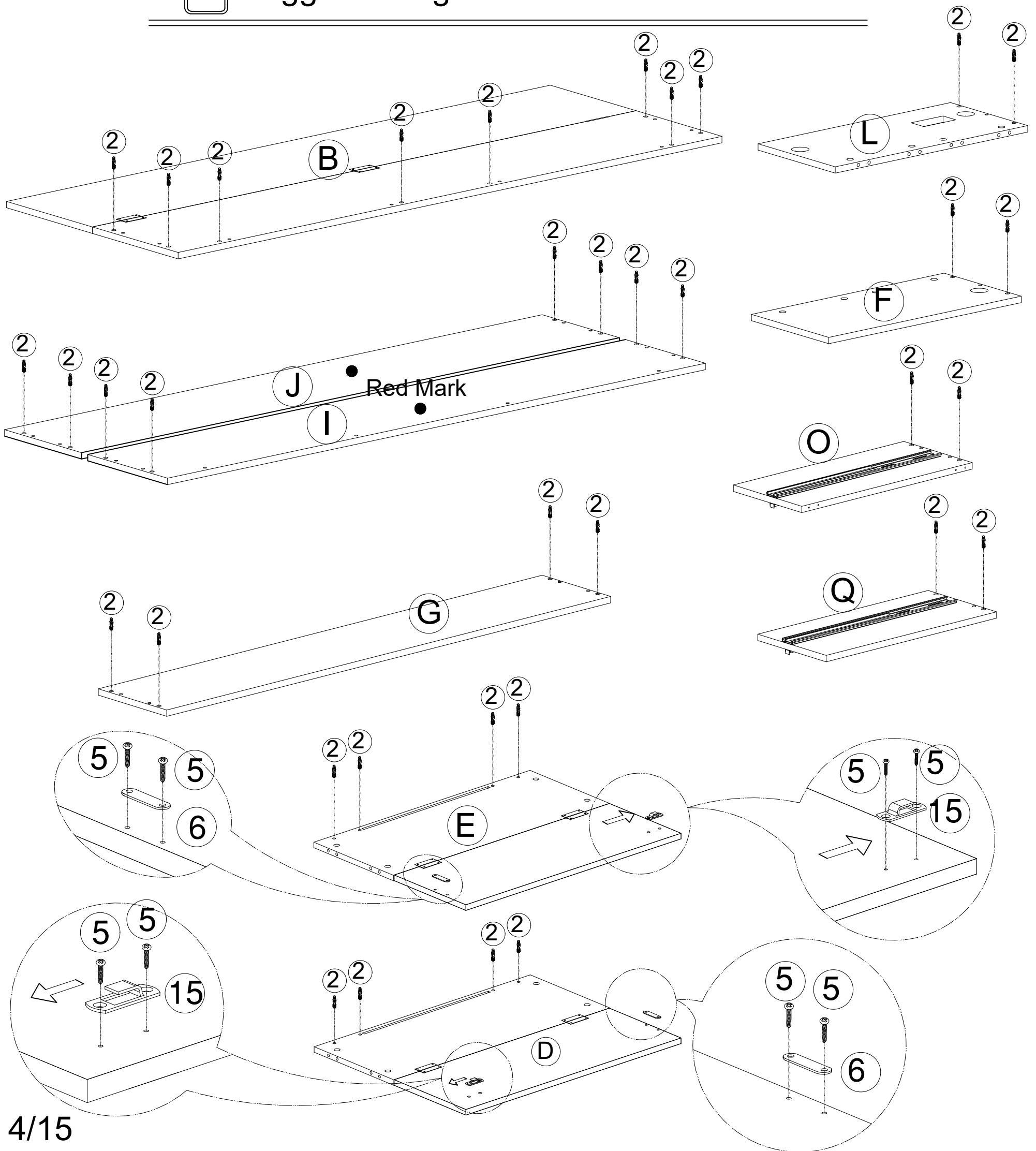
# installation procedure

②		36 PCS	⑮		2 PCS
⑤	 #7-φ3.5X14	8 PCS	⑥		2 PCS

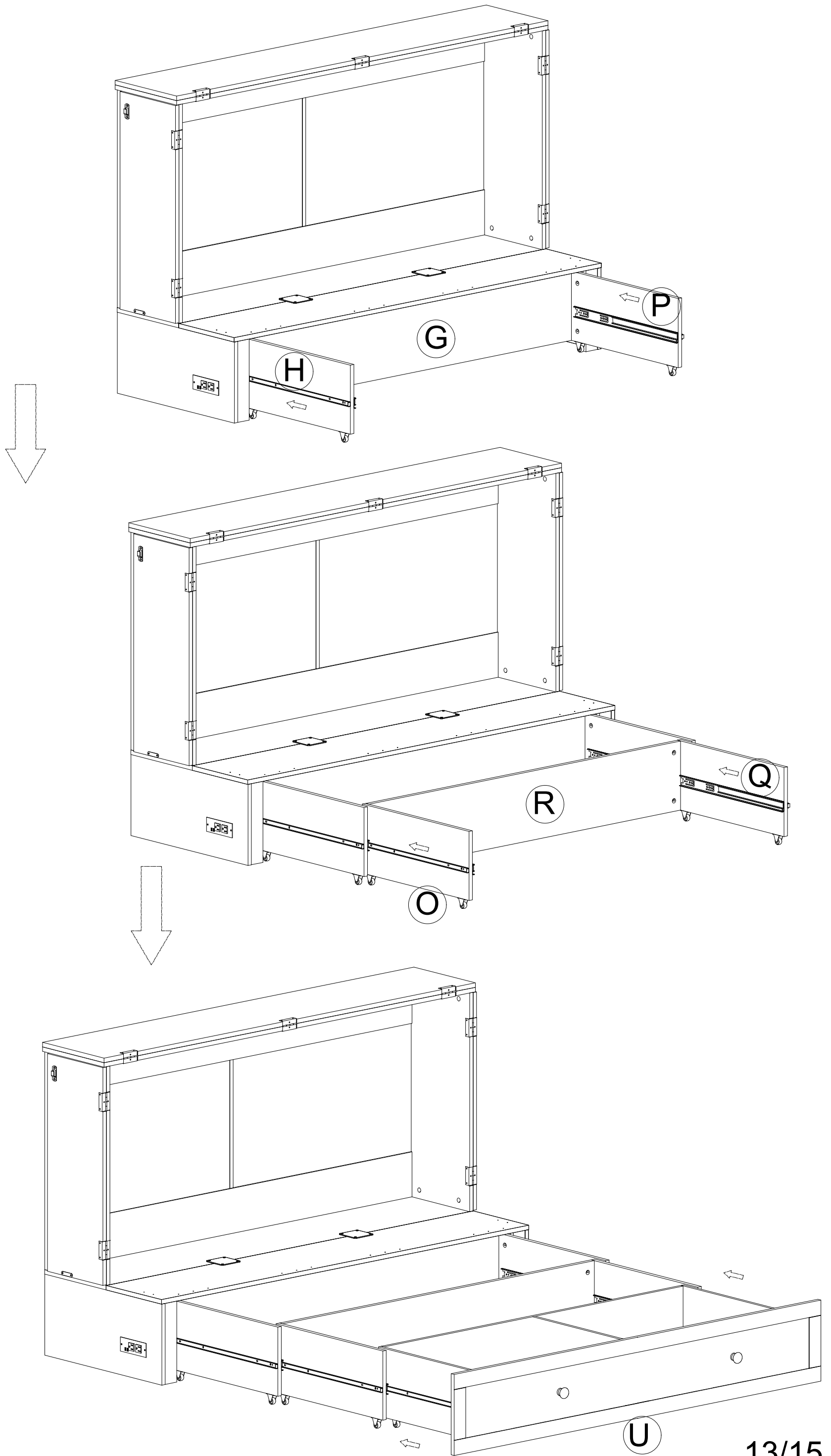
STEP 1


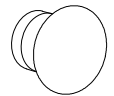


Suggest using electric tools for installation

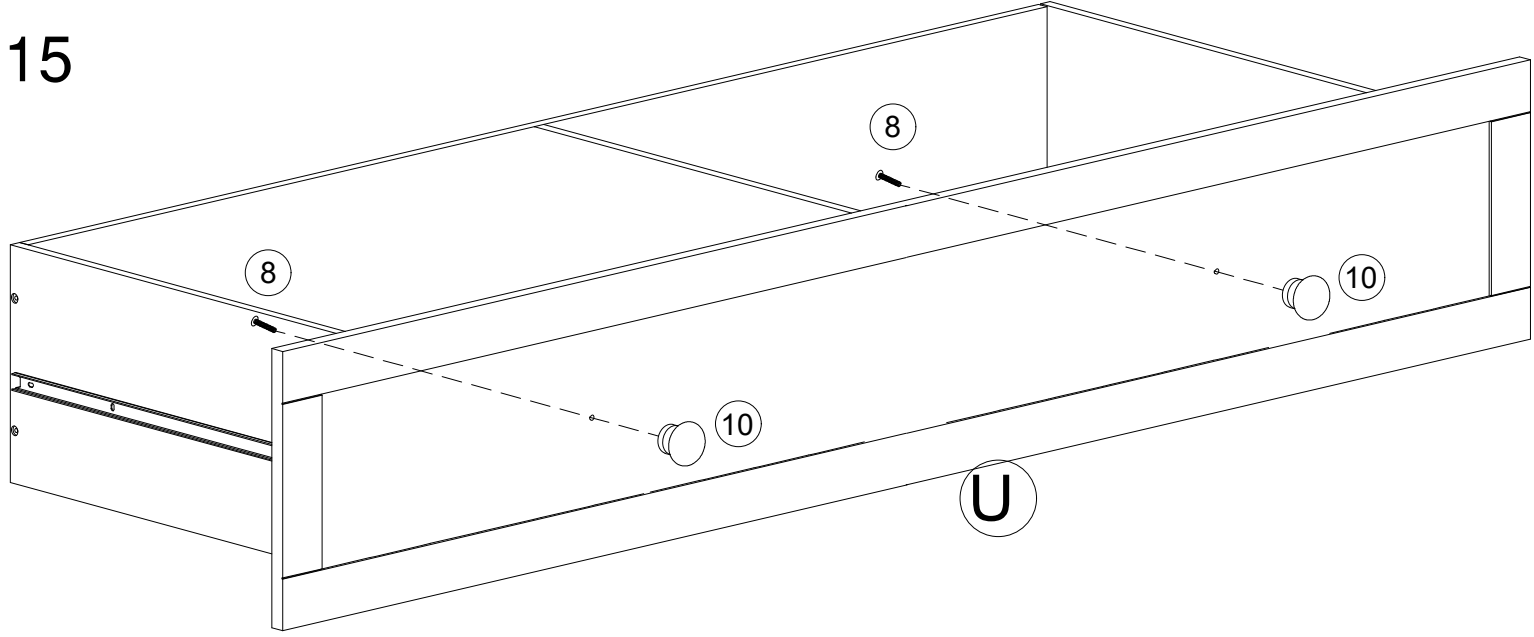



# STEP 18



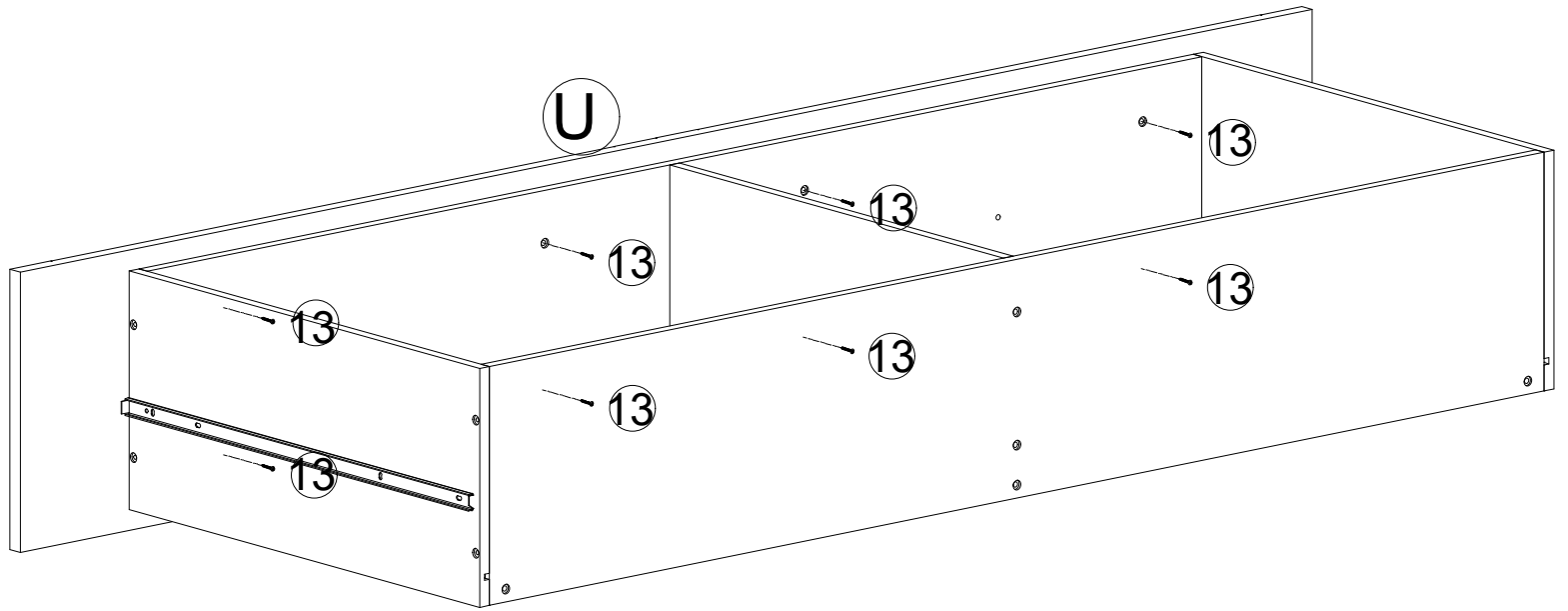
8	 M4 X 30mm	2 PCS	10		2 PCS
---	--	-------	----	---	-------

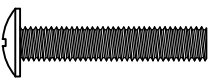
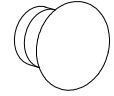
STEP 15



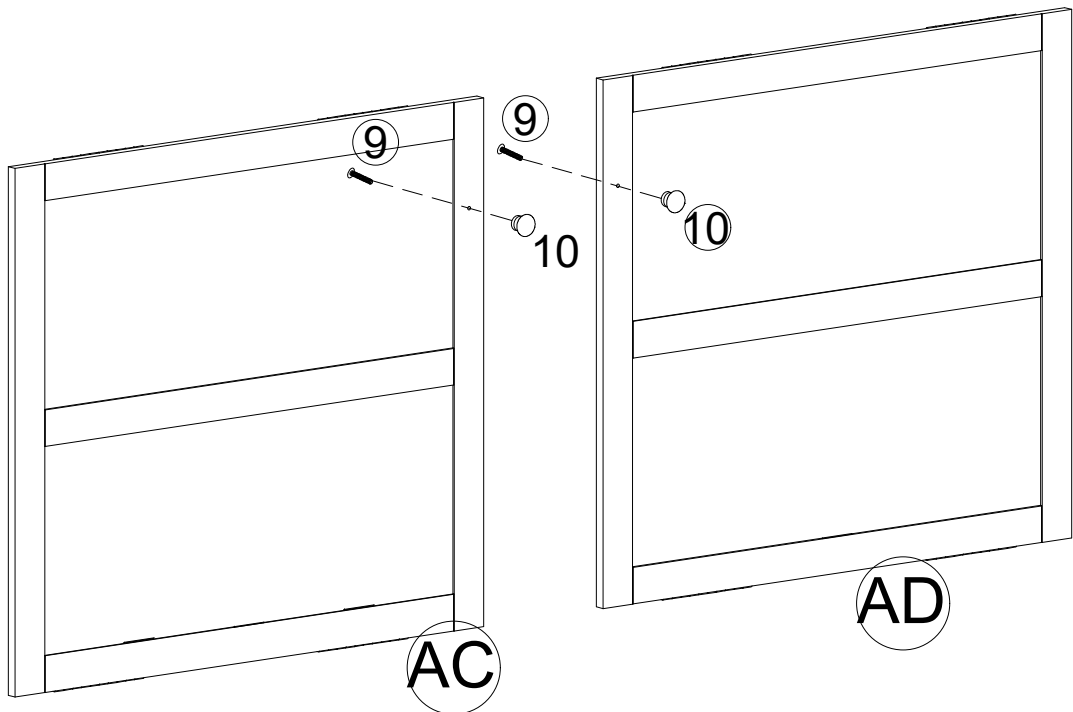
13	 #8-Ø4X20	8 PCS			
----	--	-------	--	--	--

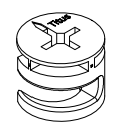

STEP 16



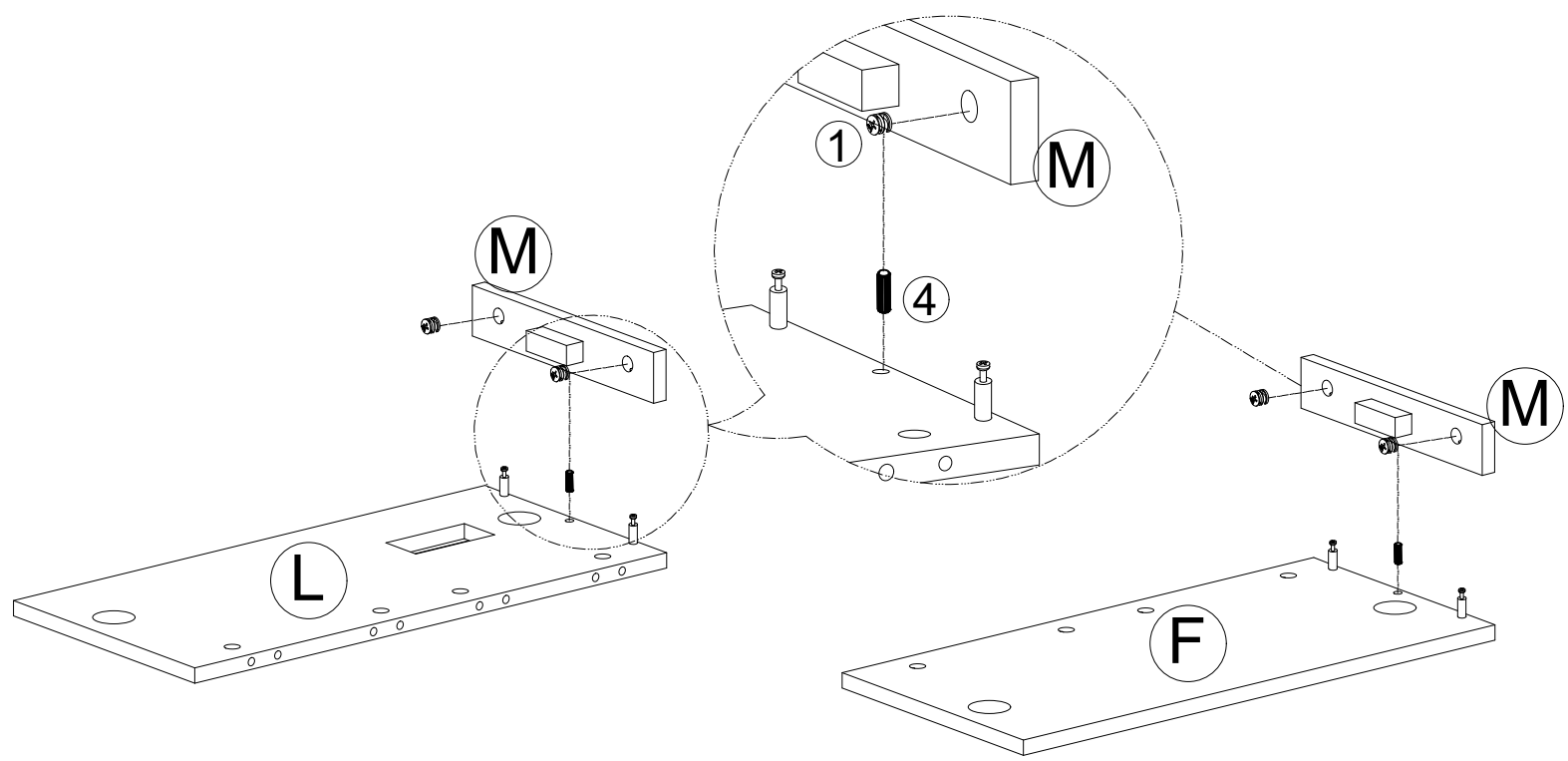
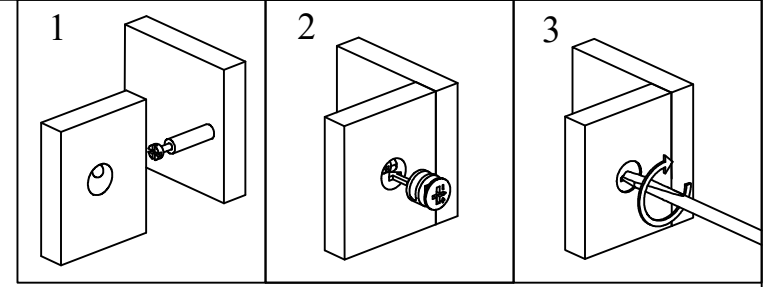
9	 M4 X 25mm	2 PCS	10		2 PCS
---	--	-------	----	---	-------

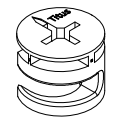

STEP 17



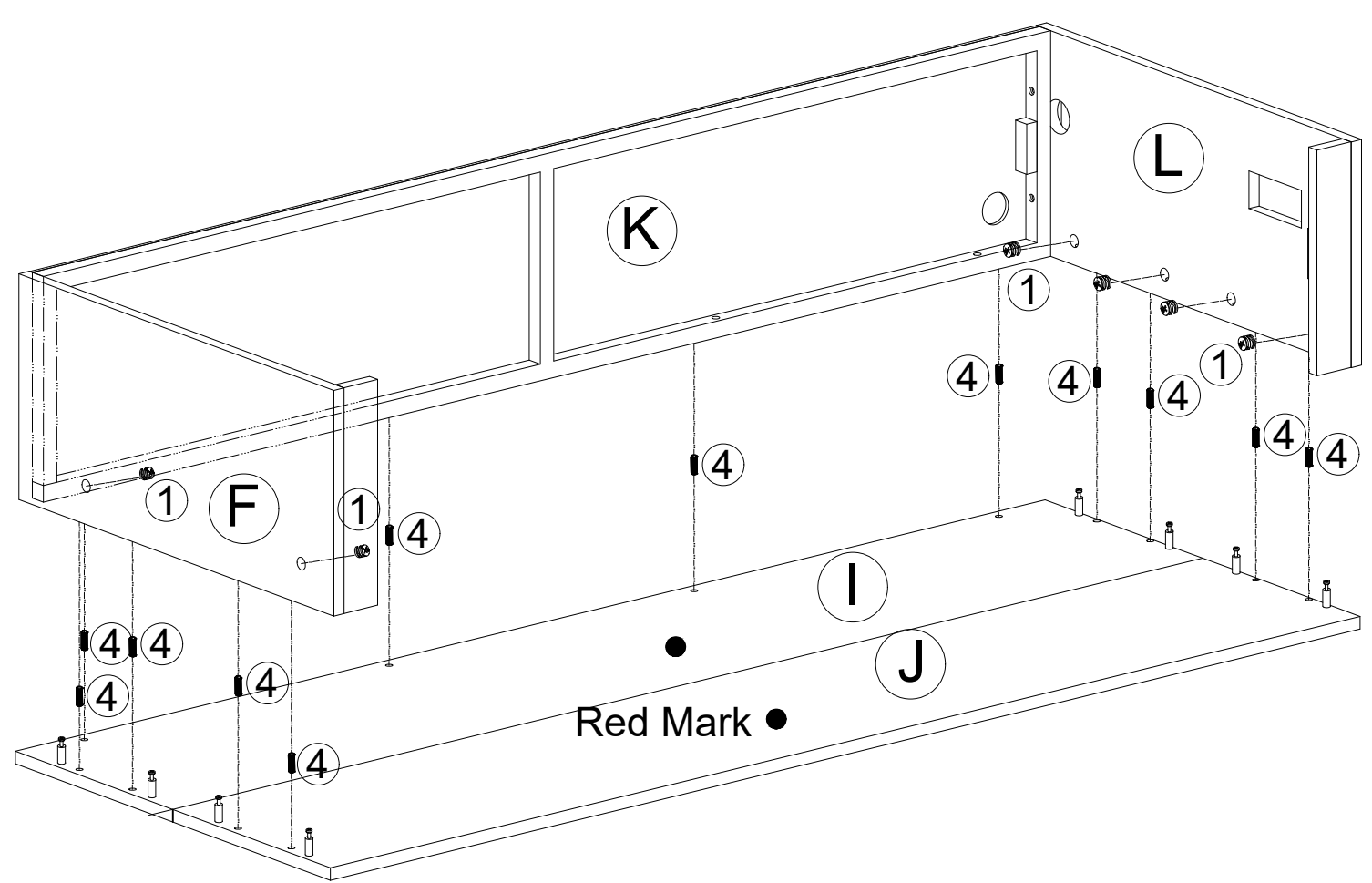
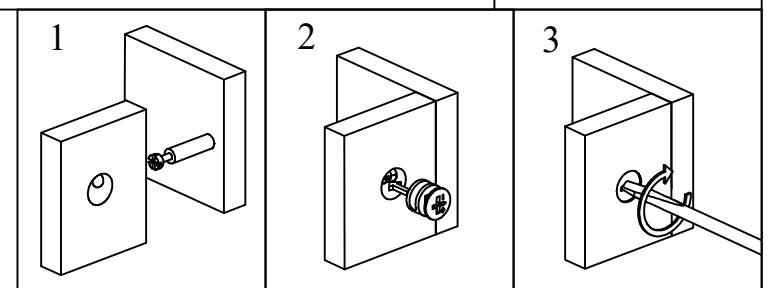
<p>①</p>	 <p>KD Cam</p>	<p>4 PCS</p>	<p>④</p>	 <p>8 x 30MM</p>	<p>2 PCS</p>
----------	--	--------------	----------	---	--------------

STEP 2

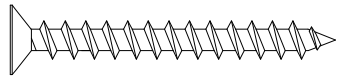


<p>①</p>	 <p>KD Cam</p>	<p>8 PCS</p>	<p>④</p>	 <p>8 x 30MM</p>	<p>12 PCS</p>
----------	---	--------------	----------	---	---------------

STEP 3



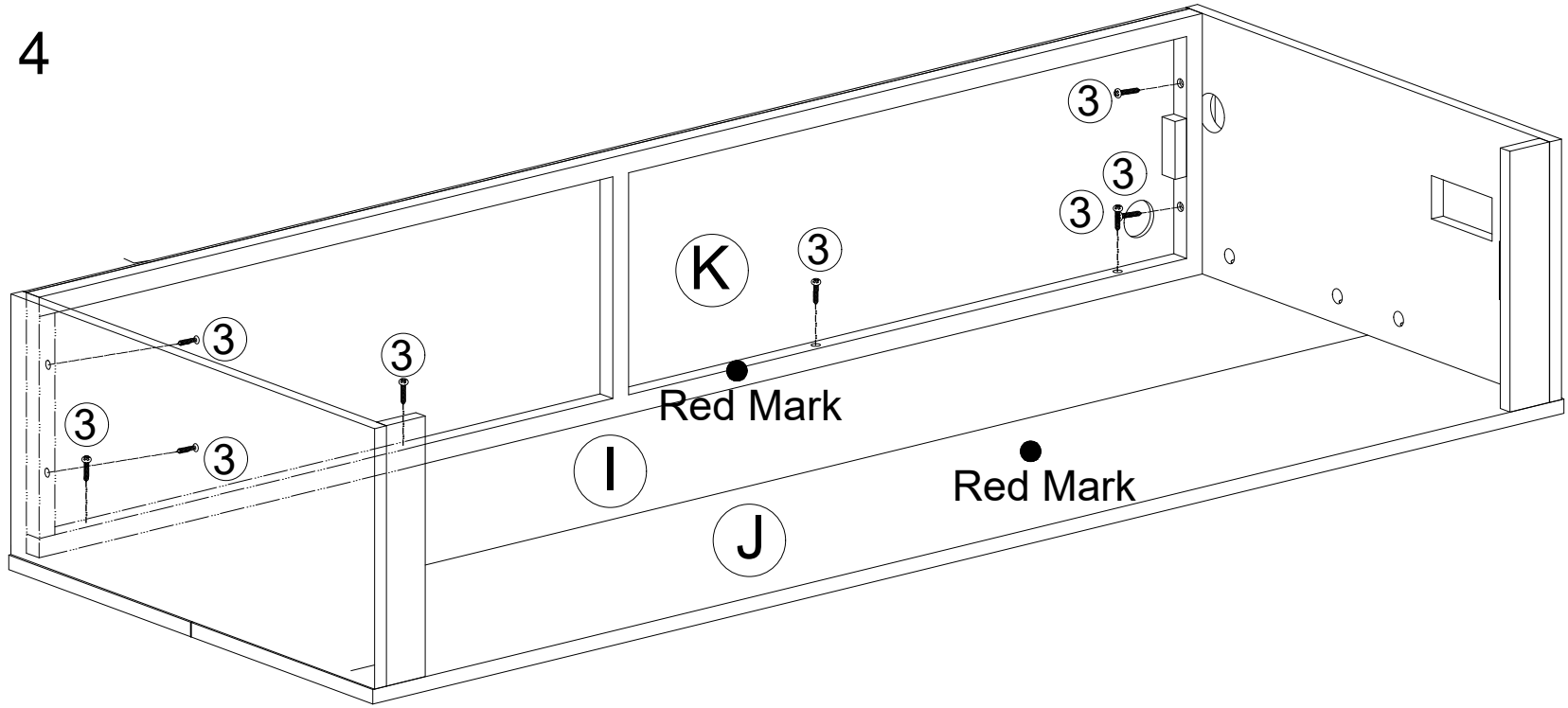
3



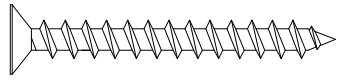
#8-Ø4X30

8 PCS

STEP 4



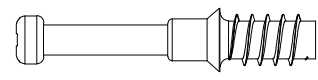
3



#8-Ø4X30

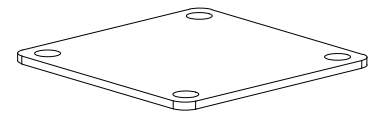
4 PCS

2



8 PCS

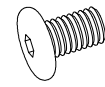
18



80\*80\*2.5

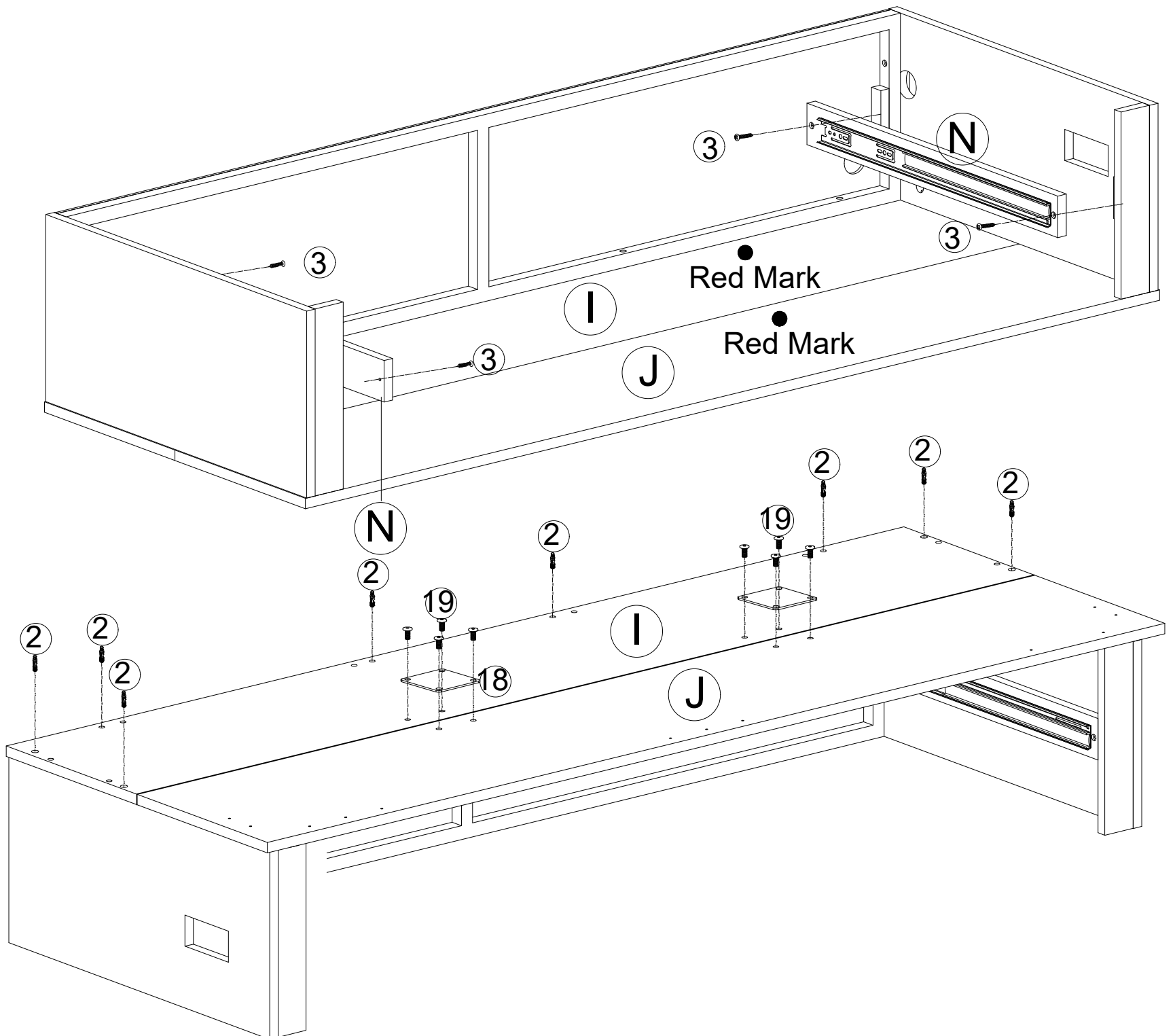
2 PCS



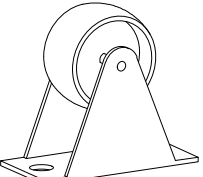
19



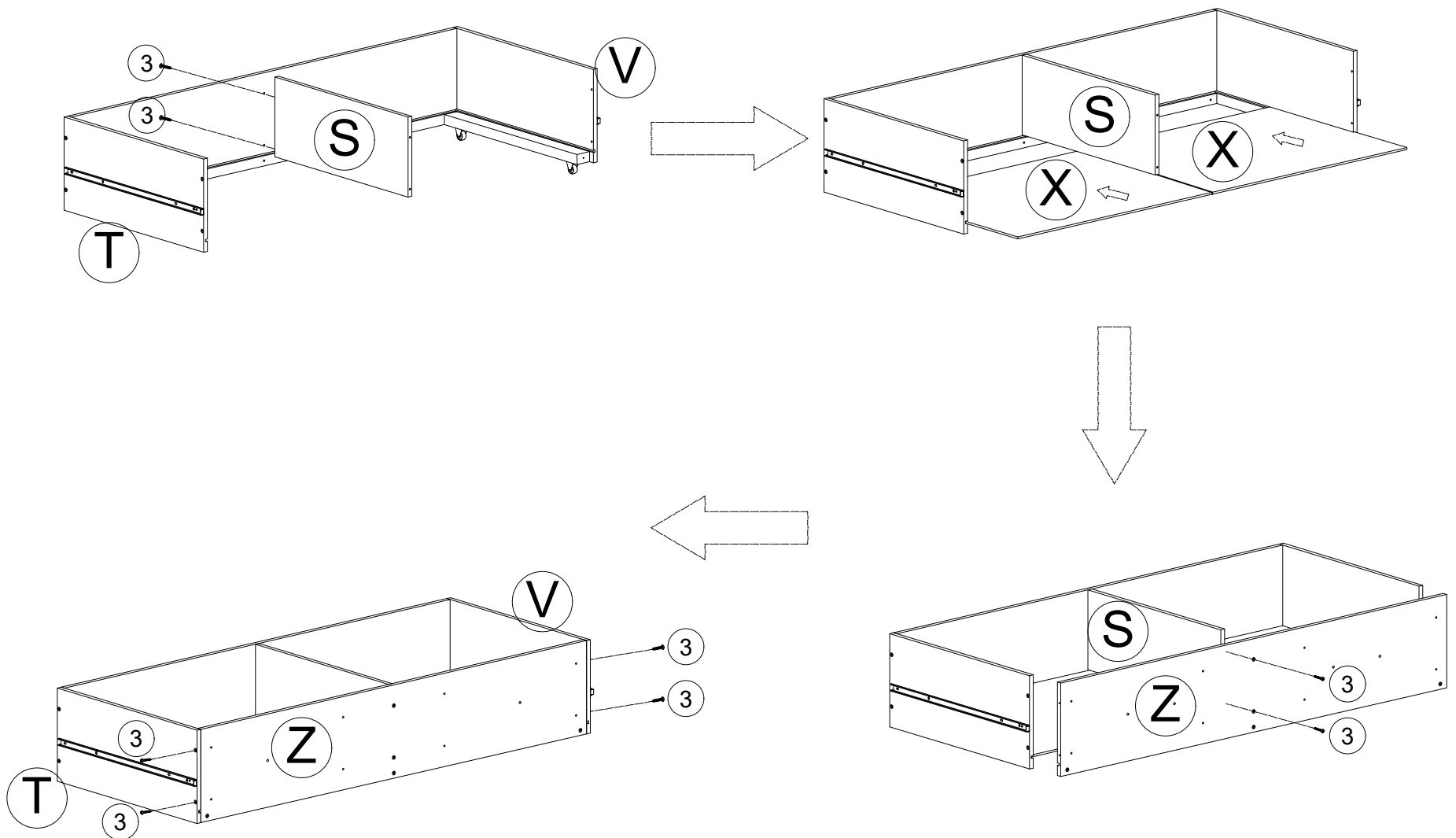
M6\*12

8 PCS

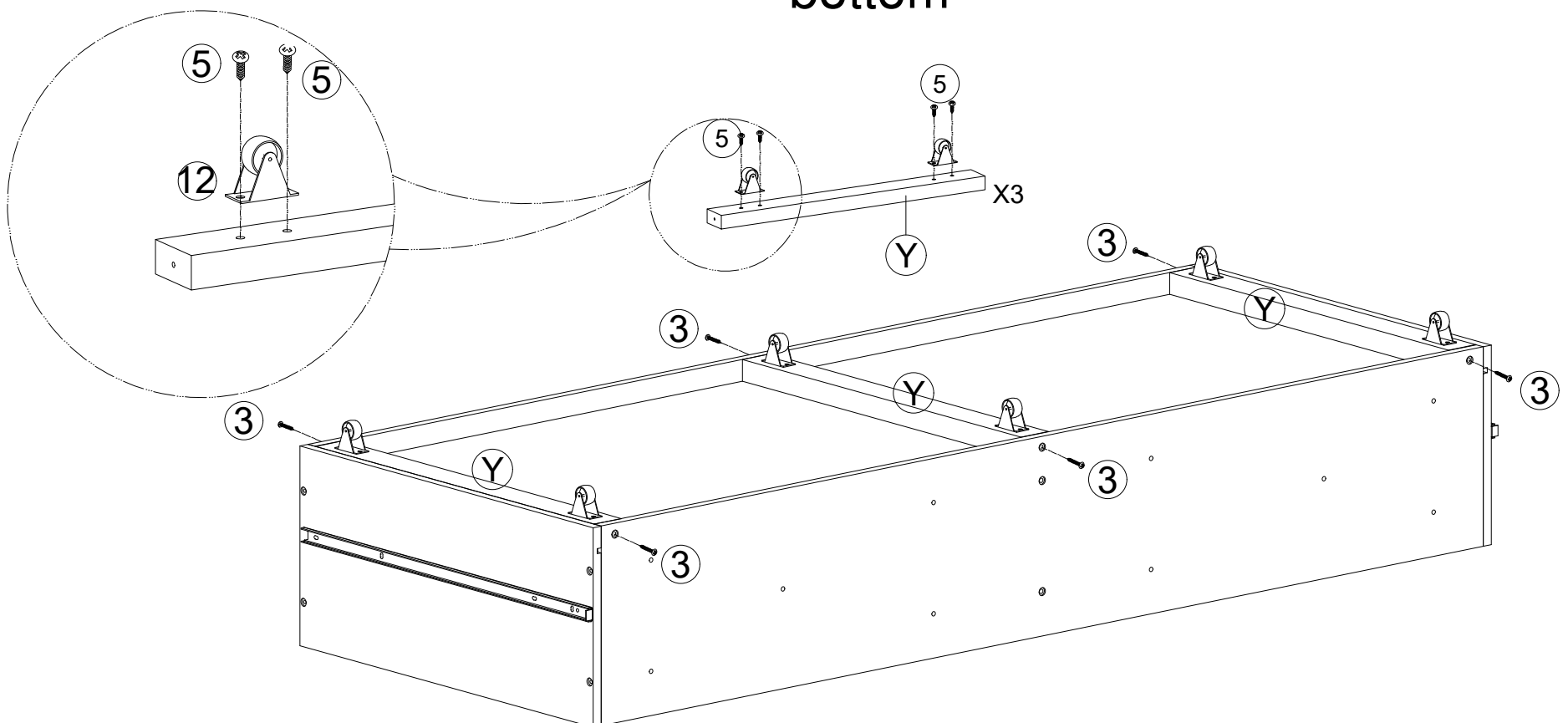


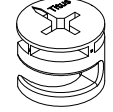

③	 #8-Ø4X30	14 PCS	⑤	 #7 x 3.5x14	12 PCS
⑫		6 PCS			

**STEP 14**

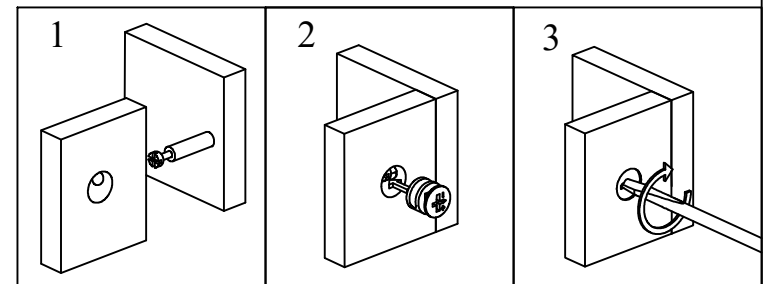
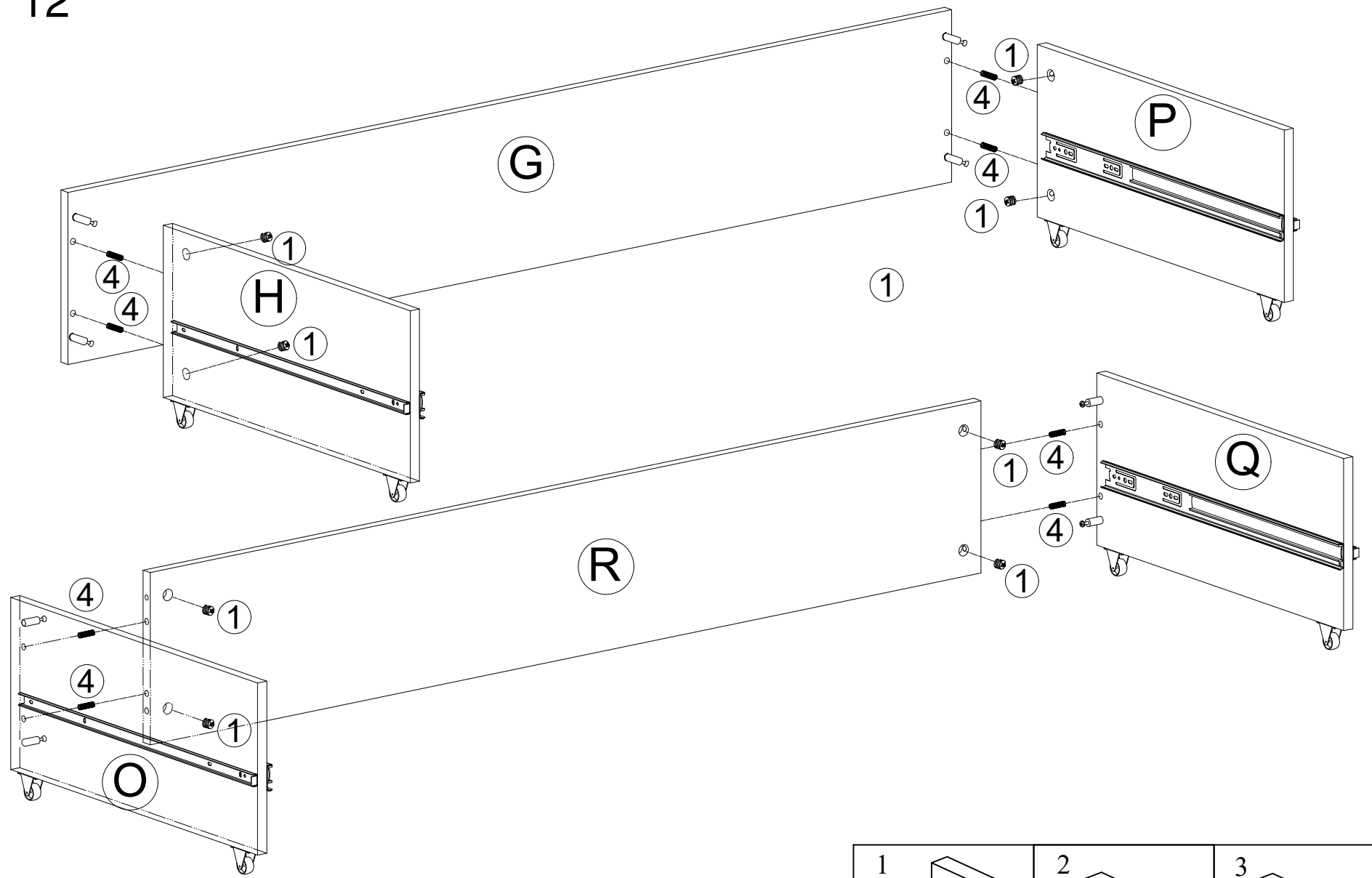


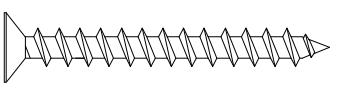
Flip the drawer over and install the Y component and casters at the bottom



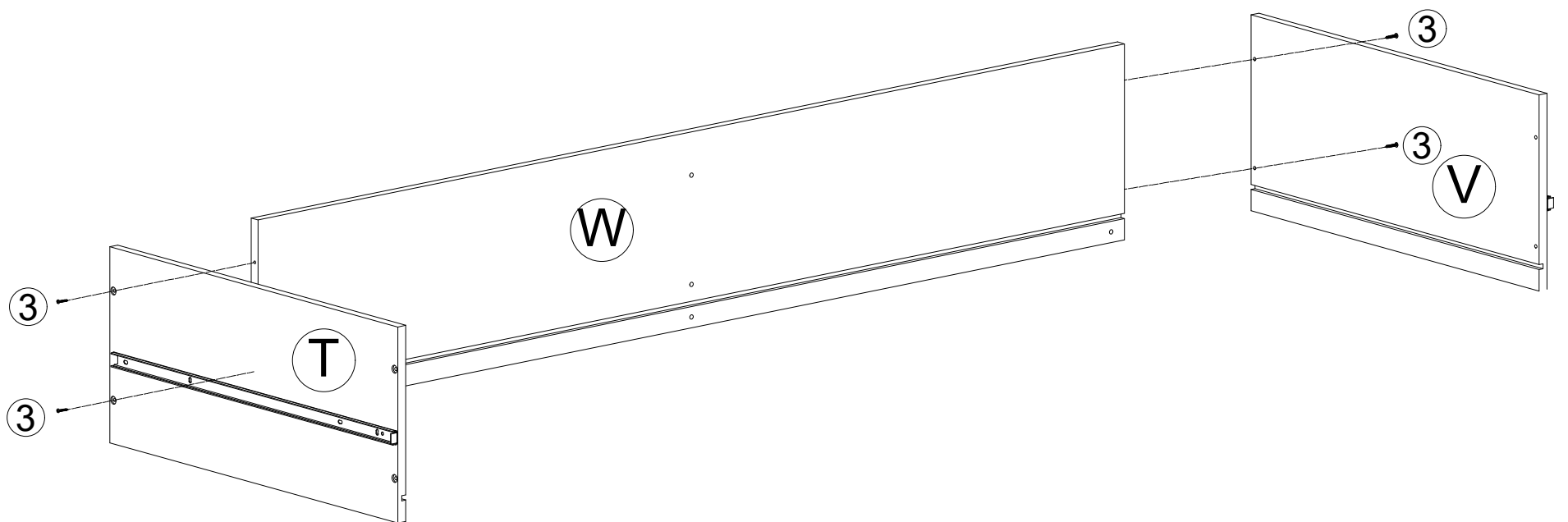
<p>①</p>	 <p>KD Cam</p>	<p>8 PCS</p>	<p>④</p>	 <p>8 x 30MM</p>	<p>8 PCS</p>
----------	---	--------------	----------	---	--------------

STEP 12



<p>③</p>	 <p>#8-Ø4X30</p>	<p>4 PCS</p>			
----------	---	--------------	--	--	--

STEP 13

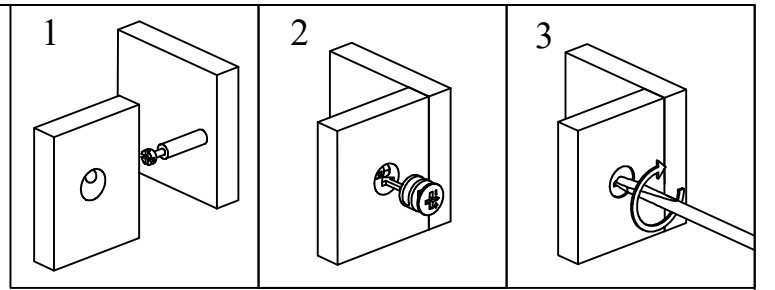


1

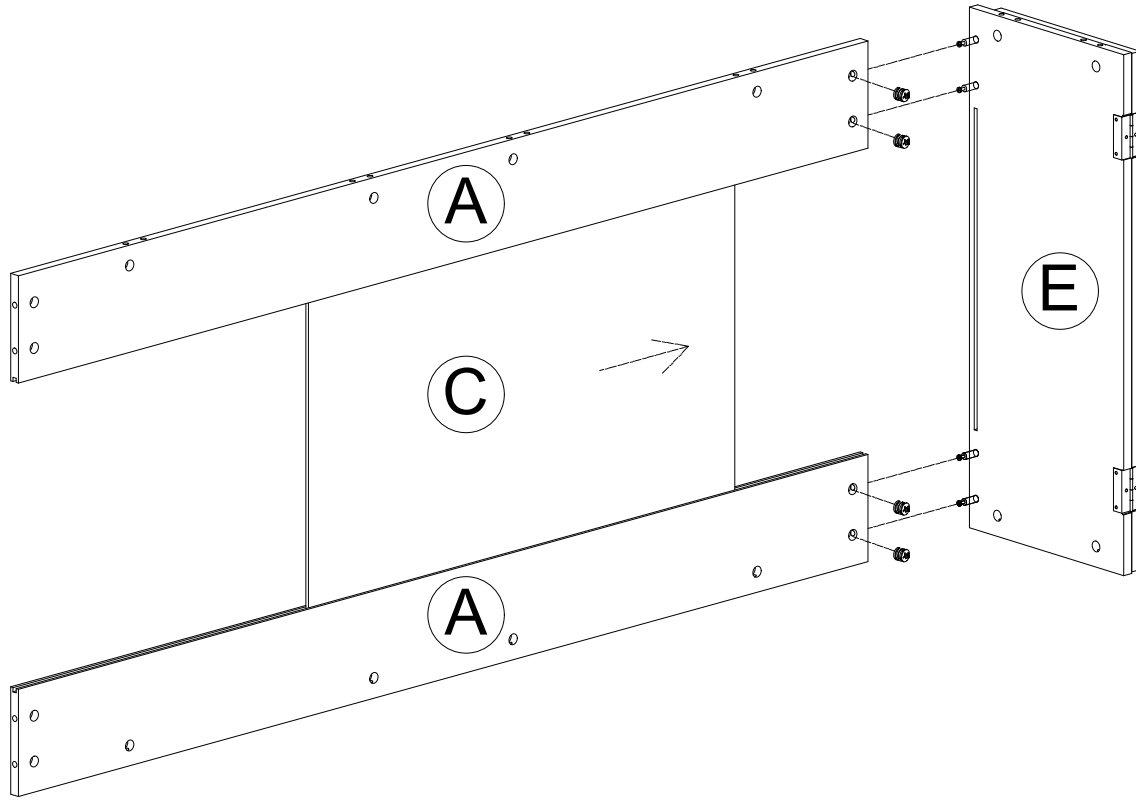


KD Cam

4 PCS



### STEP 6



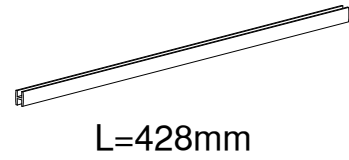
1



KD Cam

4 PCS

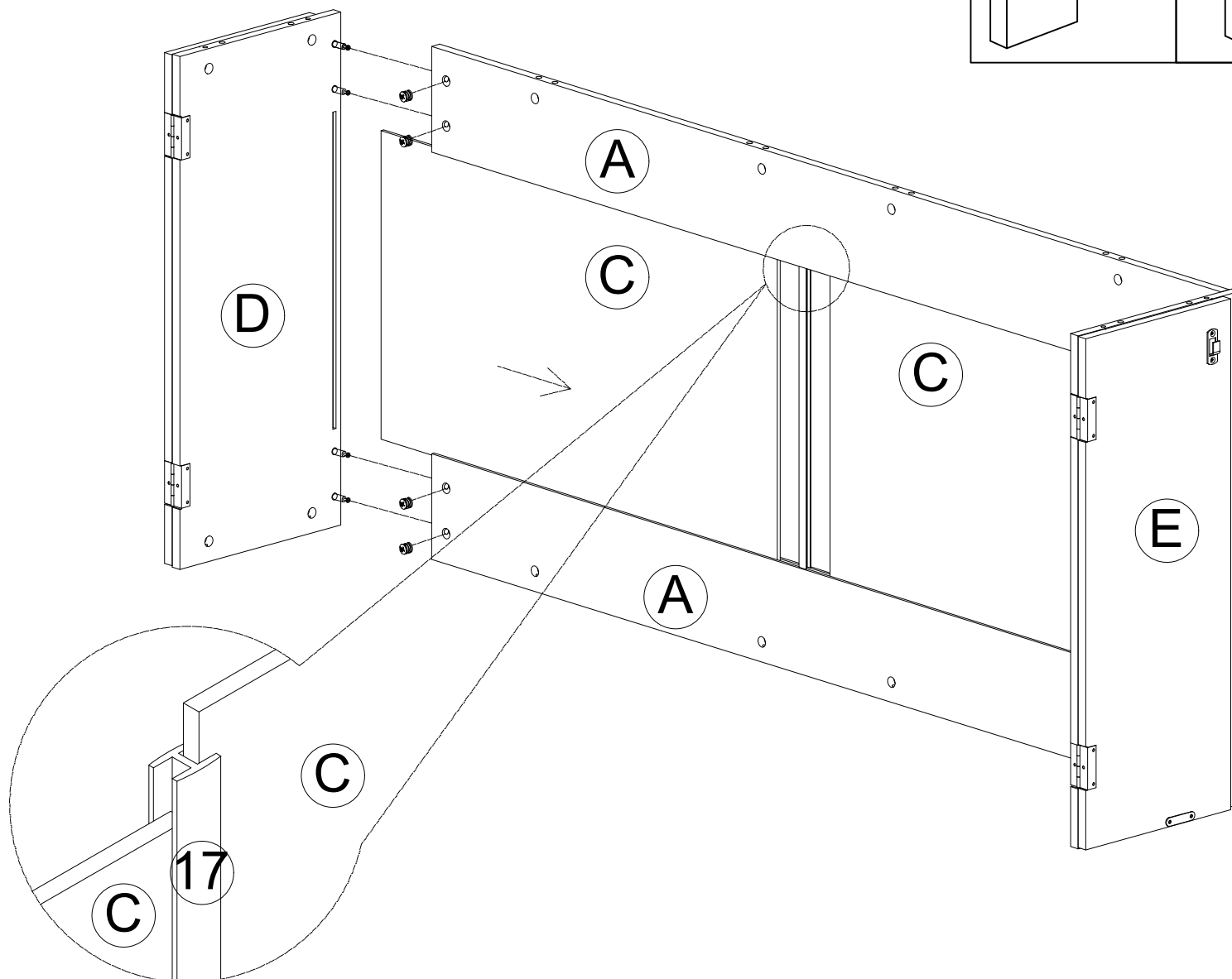
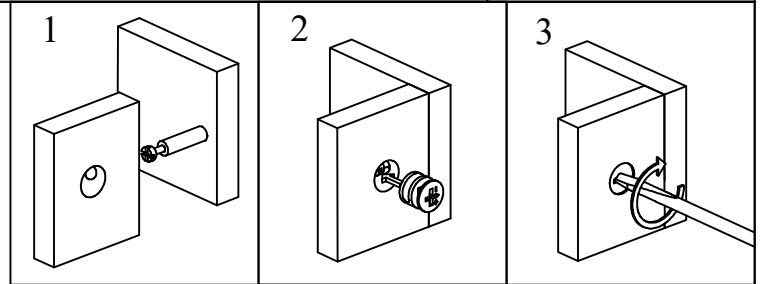
17

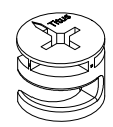



L=428mm

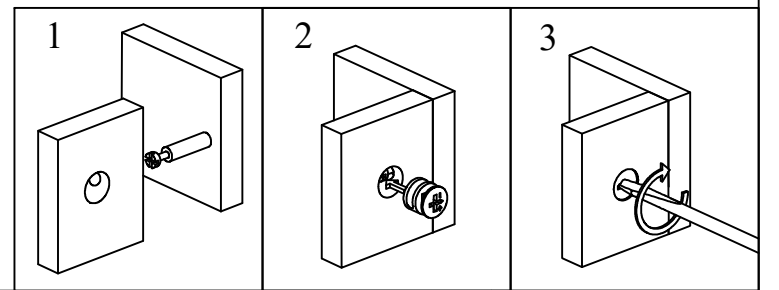
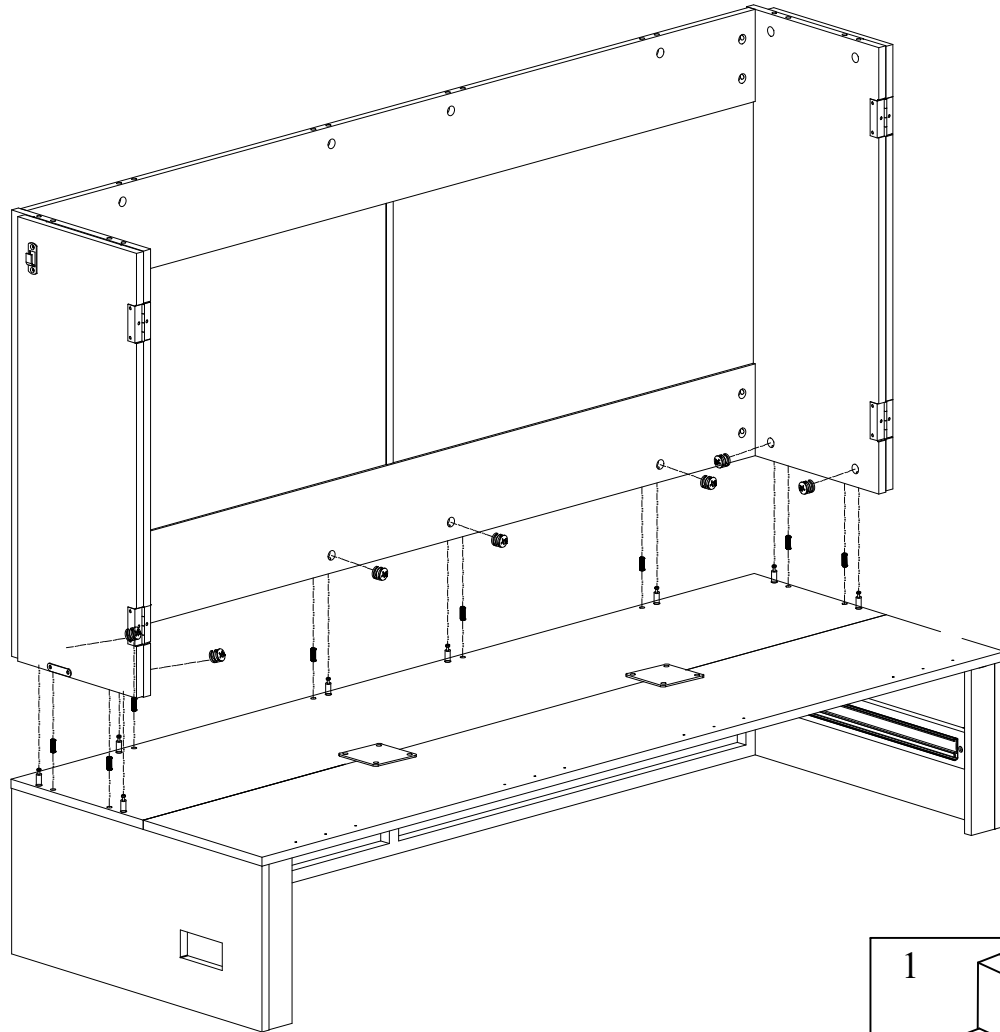
1 PCS

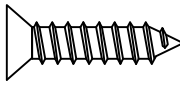
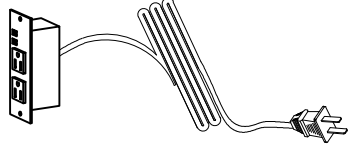
### STEP 7

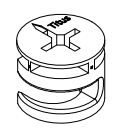
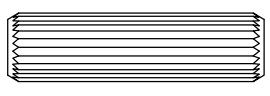


<p>①</p>	 KD Cam	8 PCS	<p>④</p>	 8 x 30MM	8 PCS
----------	--	-------	----------	---	-------

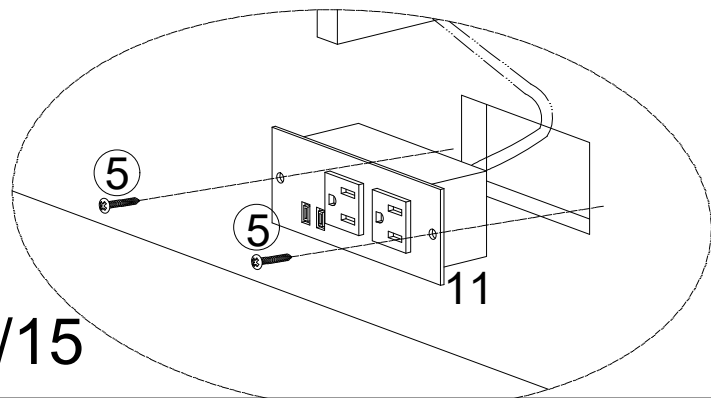
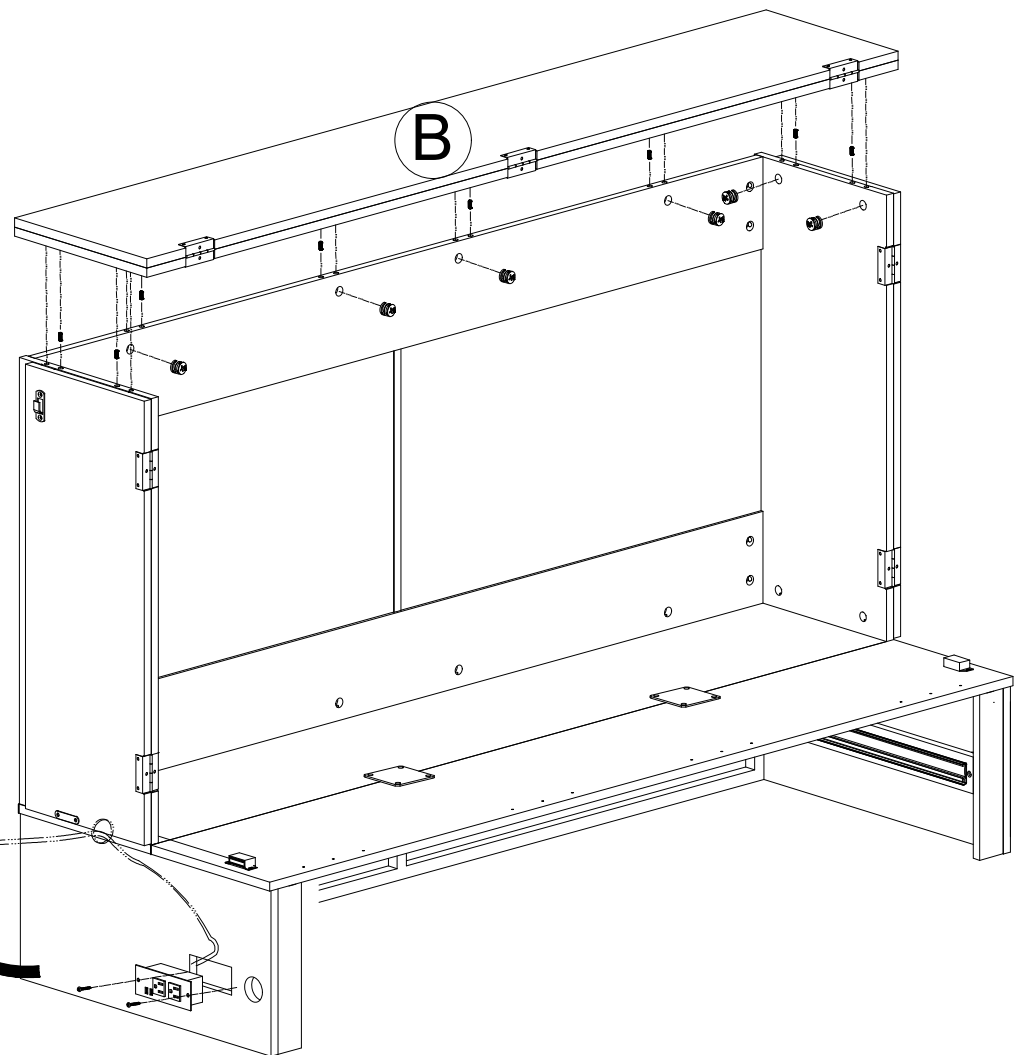
STEP 8


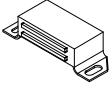


<p>⑤</p>	 #7 x 3.5x14	2 PCS	<p>⑪</p>		1 PCS
----------	--	-------	----------	---	-------

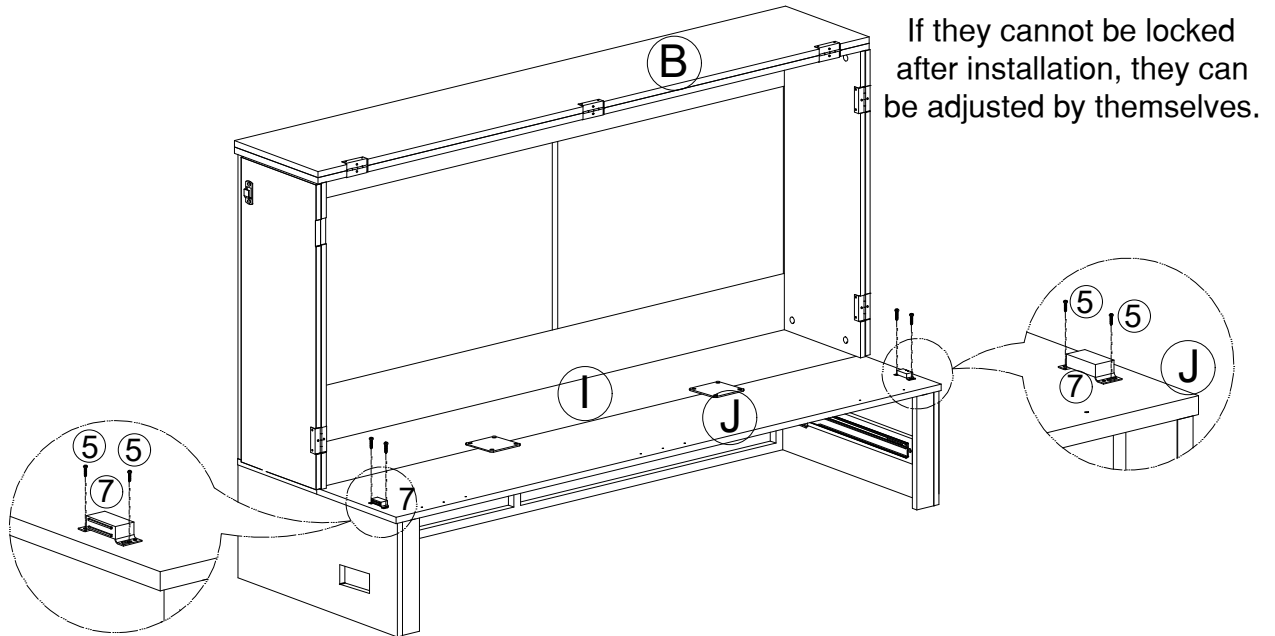
<p>①</p>	 KD Cam	8 PCS	<p>④</p>	 8 x 30MM	8 PCS
----------	---	-------	----------	---	-------


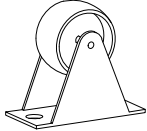
STEP 9



<p>⑤</p>  <p>#7-φ3.5X14</p>	<p>4 PCS</p>	<p>⑦</p>		<p>2 PCS</p>
---	--------------	----------	--	--------------

STEP 10



<p>⑤</p>  <p>#7 x 3.5x14</p>	<p>16 PCS</p>	<p>⑫</p>		<p>8 PCS</p>
---	---------------	----------	---	--------------

STEP 11

