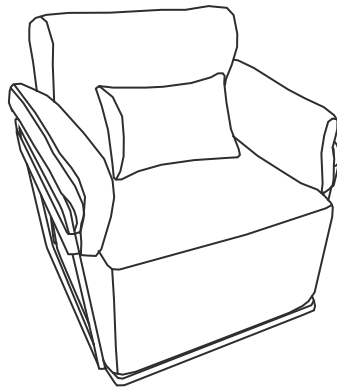


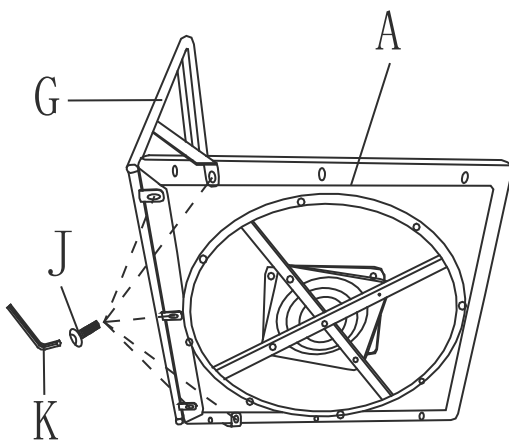
ASSEMBLY INSTRUCTION



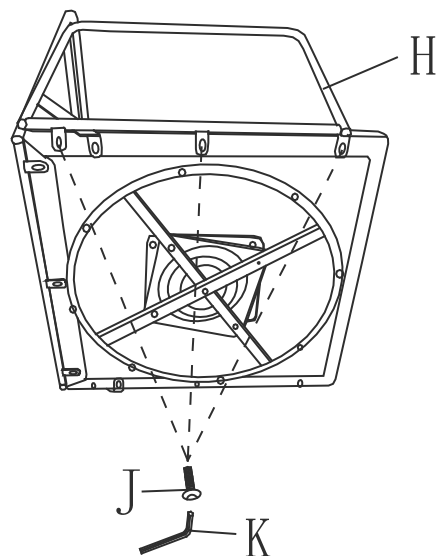
PARTS LIST

A×1	B×1	C×1	D×2	E×1	F×4
G×1	H×1	I×1	J×11+1	K×1	L×2

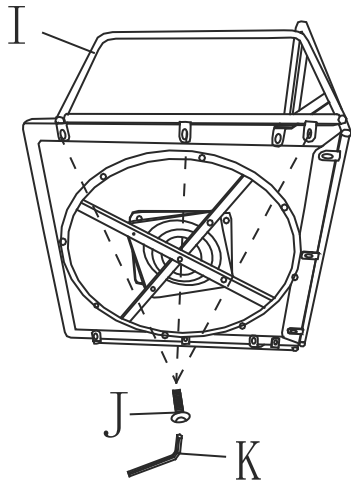
1



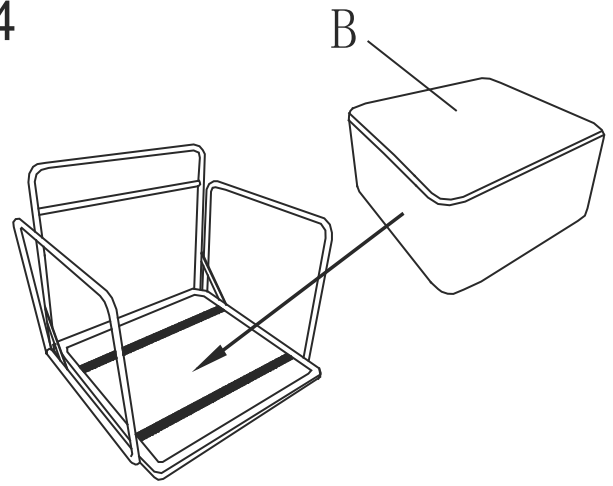
2



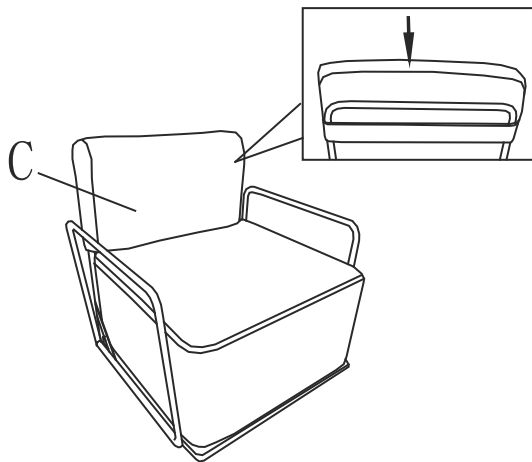
3



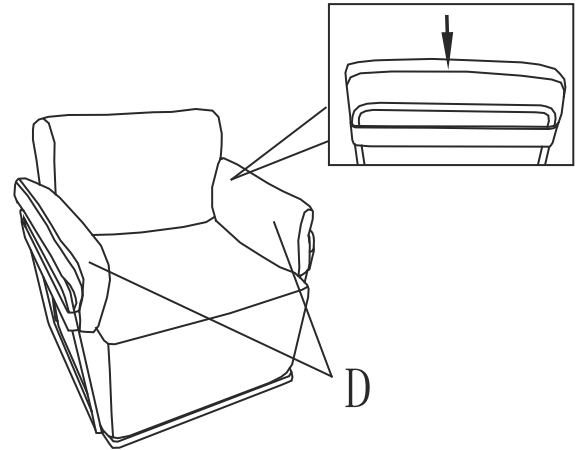
4



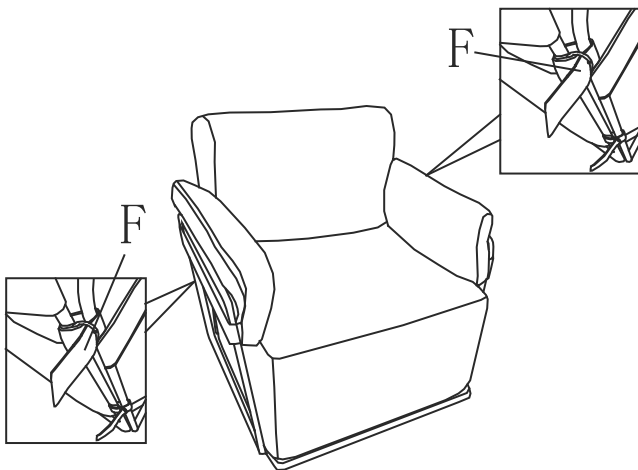
5



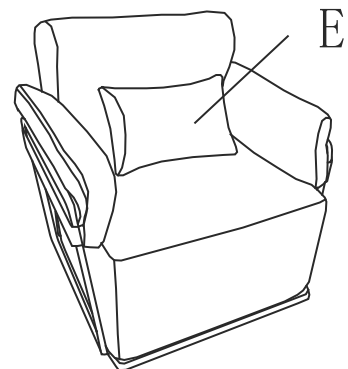
6



7



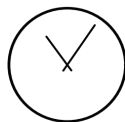
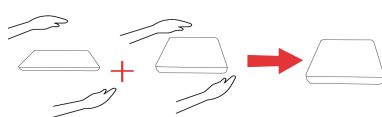
8



Tips: 1. Please do not 100% tighten all the bolts until the chair is fully assembled, just 50% is OK, make it has space to adjust the chair.

2. Knead your cushion like giving your cushion a massage while allowing the air to flow through the foam.

3. Repeatedly tap the sides and front and back to make it rebound better and fluffy.



72h

It might takes up to 72 hours.

4. The suggestion is that it is best to assemble the chair with two people.

5. Before installing the chair, lay a cloth on the floor or install it on the carpet to prevent the chair from scratching.