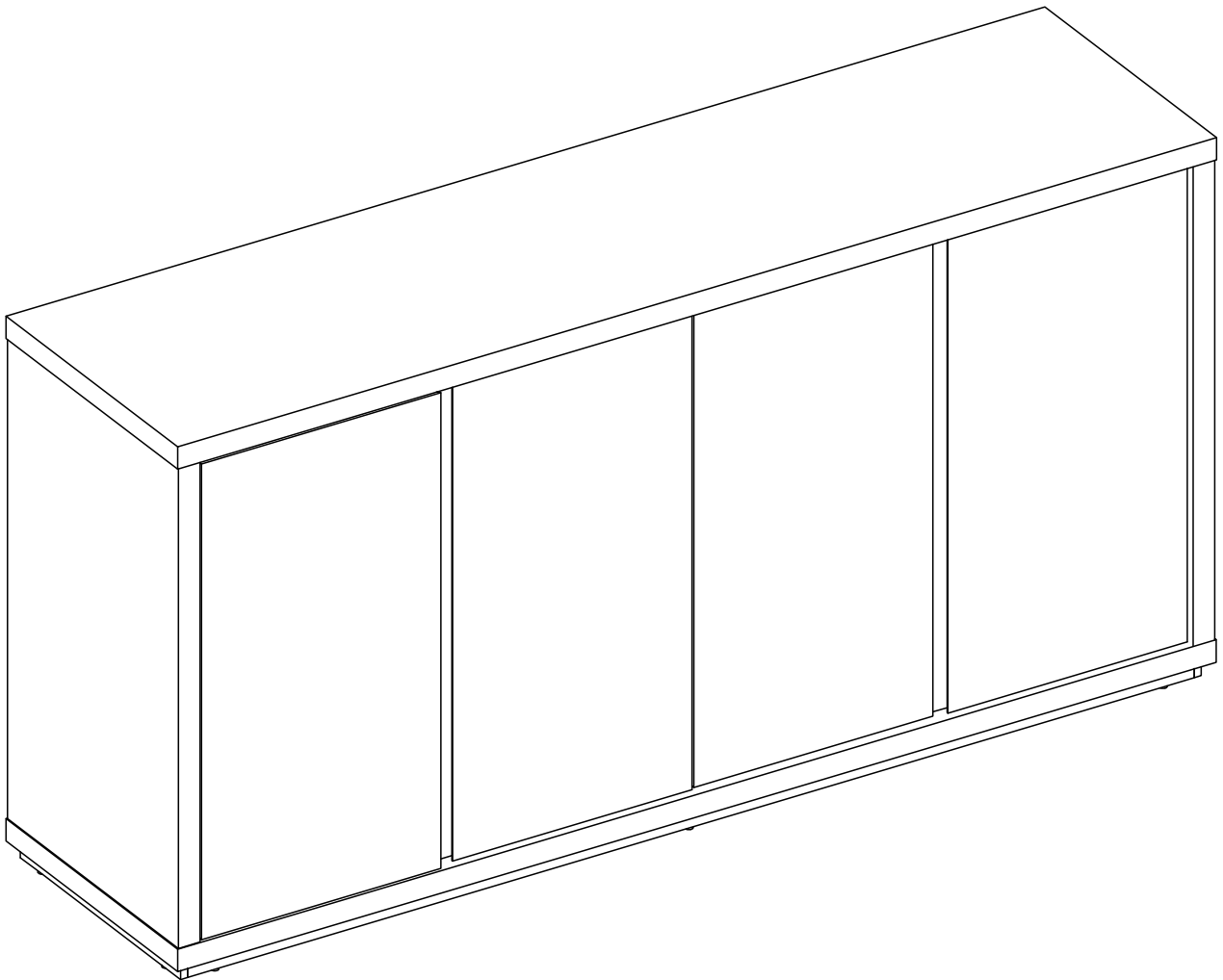


Installation & Assembly



QUESTIONS OR CONCERNS?

IMPORTANT! Please read all instructions before use and keep this manual for future reference. Your satisfaction is very important to us. If you have any issues, **PLEASE CONTACT US** before initiating a **RETURN**.

ATTENTION

Attention Customers living in the United States and Canada

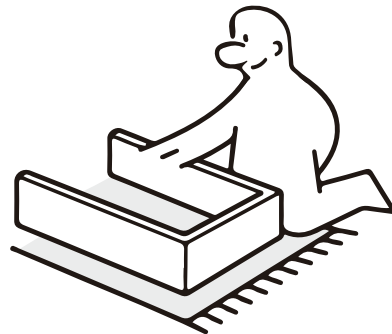
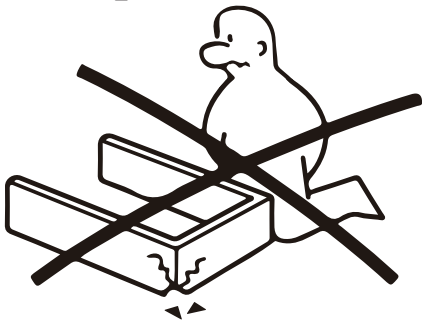
If you are missing parts, hardware, or if your product has been damaged during shipping

DO NOT RETURN YOUR PRODUCT

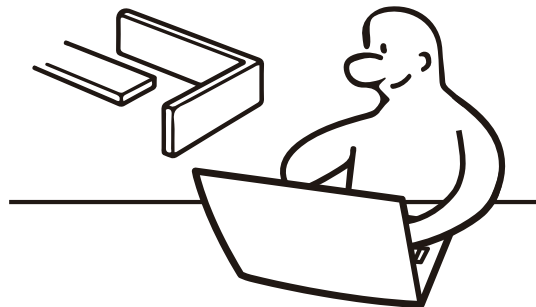
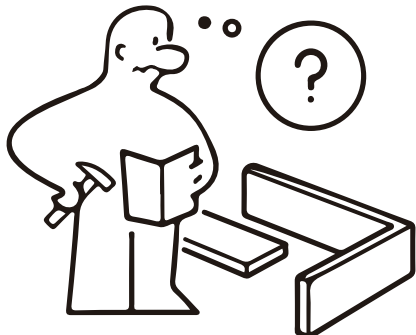
The store does not stock parts and may not be able to help you. Please contact us directly and **we will ship you the parts** you need to your shipping address **at no cost to you**. For the quickest and most efficient service, please reach out to us.

We're here to help!

※ Stuck in Assembly Limbo? Check out our website or contact our support team for quick solutions!



※ Stay Scratch-Free: Safeguard Your Furniture by Assembling on Carpet.

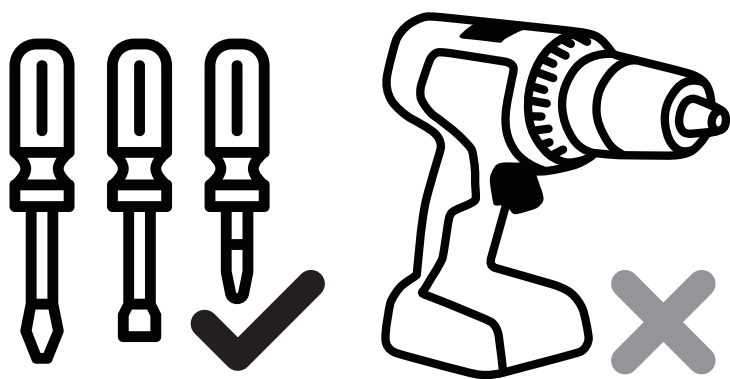


WARNING: ASSEMBLY NOTICE

Attention

Important Instructions for Assembling Your Furniture To ensure the longevity and integrity of your MDF furniture, please adhere to the following guidelines:

DO NOT USE AN ELECTRIC DRILL



Using an electric drill can cause irreversible **damage to the MDF boards**, leading to compromised structural integrity and potential voiding of your warranty.

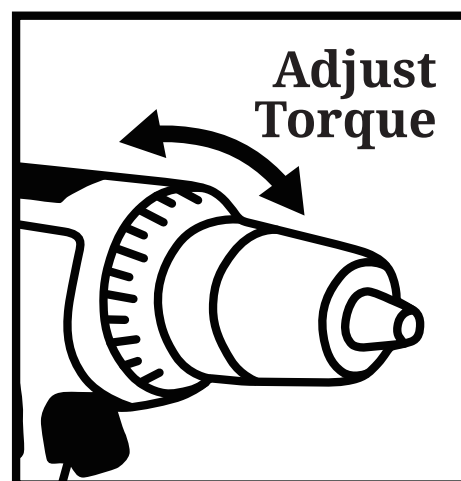
IF AN ELECTRIC DRILL MUST BE USED

- **Set to Lowest Torque Setting :**

Ensure your drill is set to the lowest possible torque setting to avoid over-tightening and damaging the material.

- **Proceed with Caution :**

Carefully monitor the drilling process to prevent excessive force and damage.

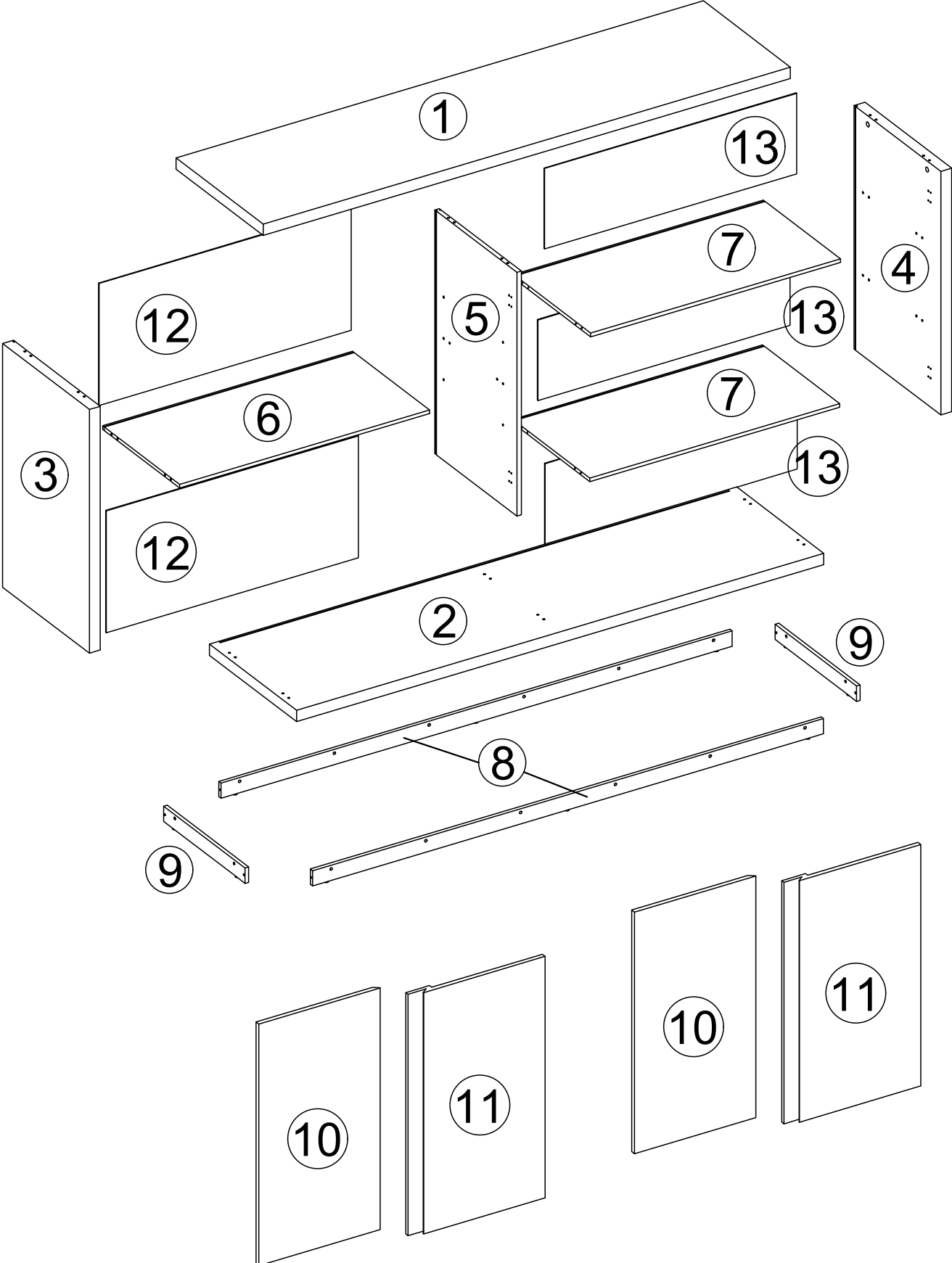


For best results and to avoid any damage, we highly recommend using the provided manual tools or a handheld screwdriver.

Thank you for your attention and understanding.

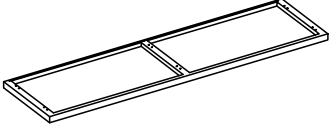
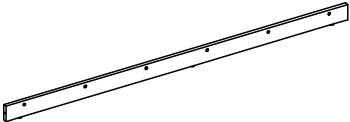
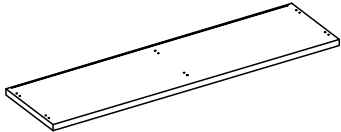
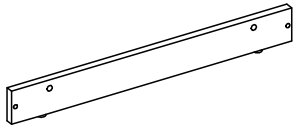
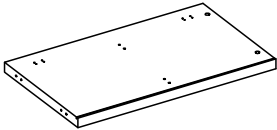
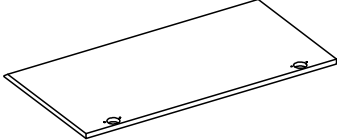
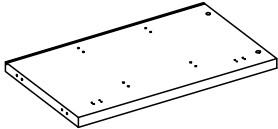
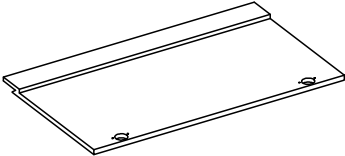
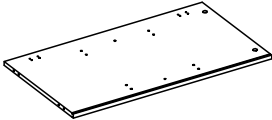
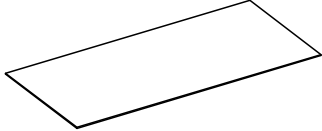
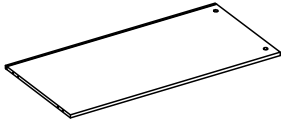
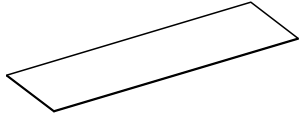

PARTS

LIST





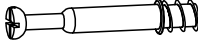

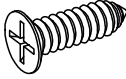
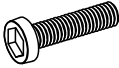
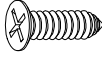
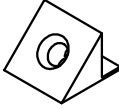
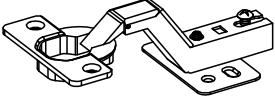
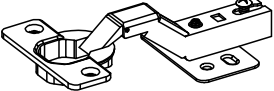

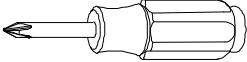
PARTS

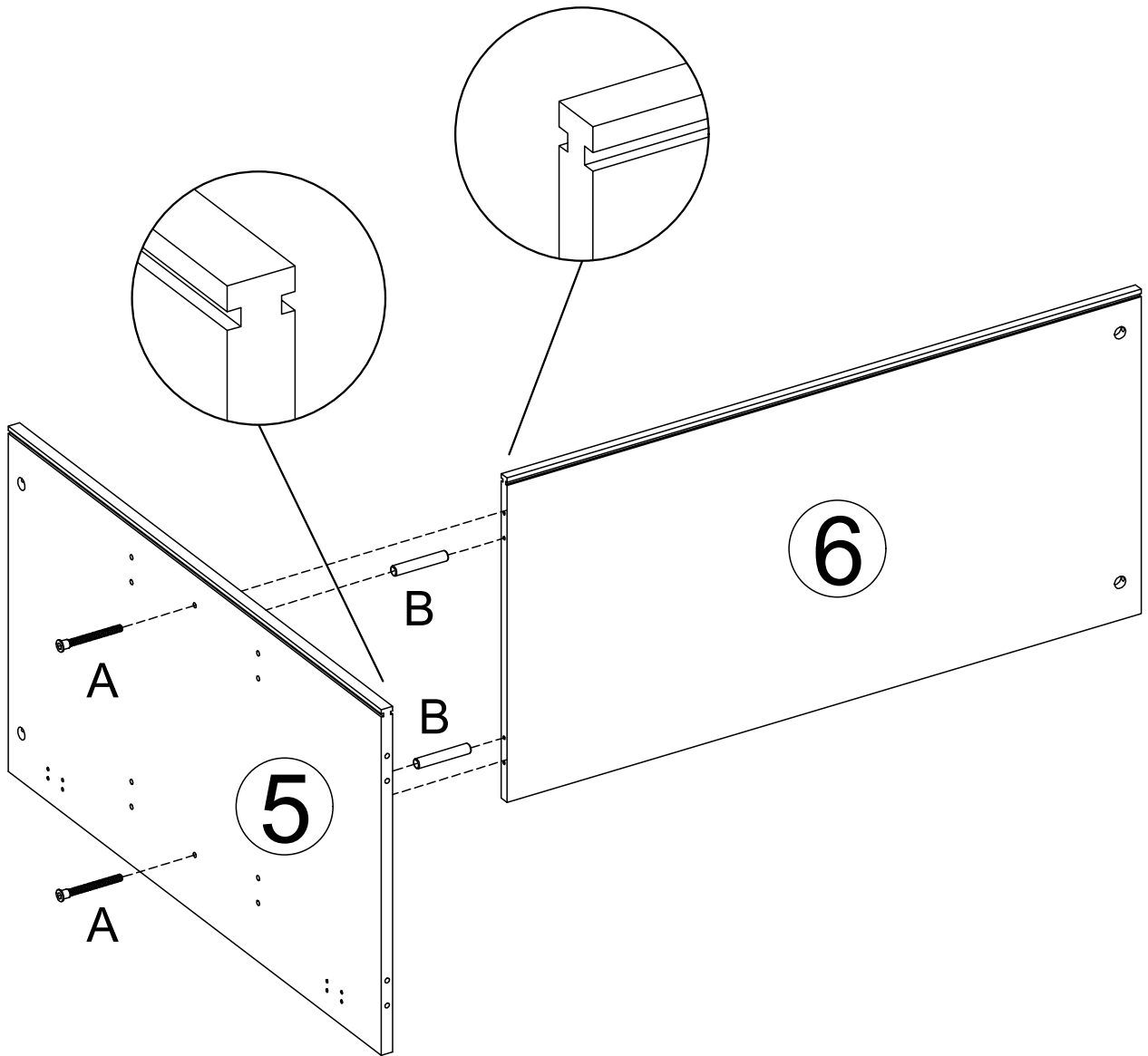
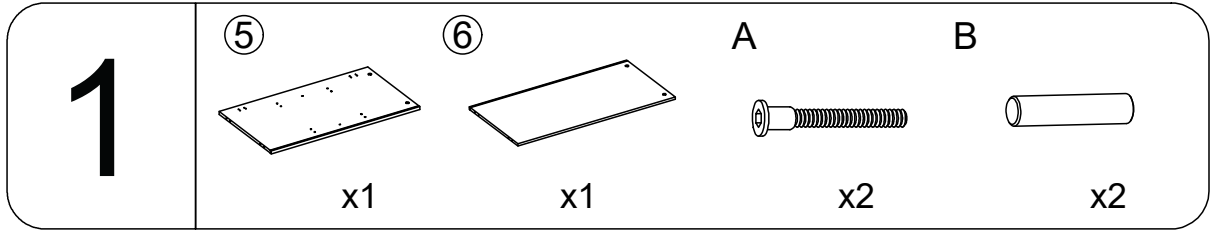
LIST

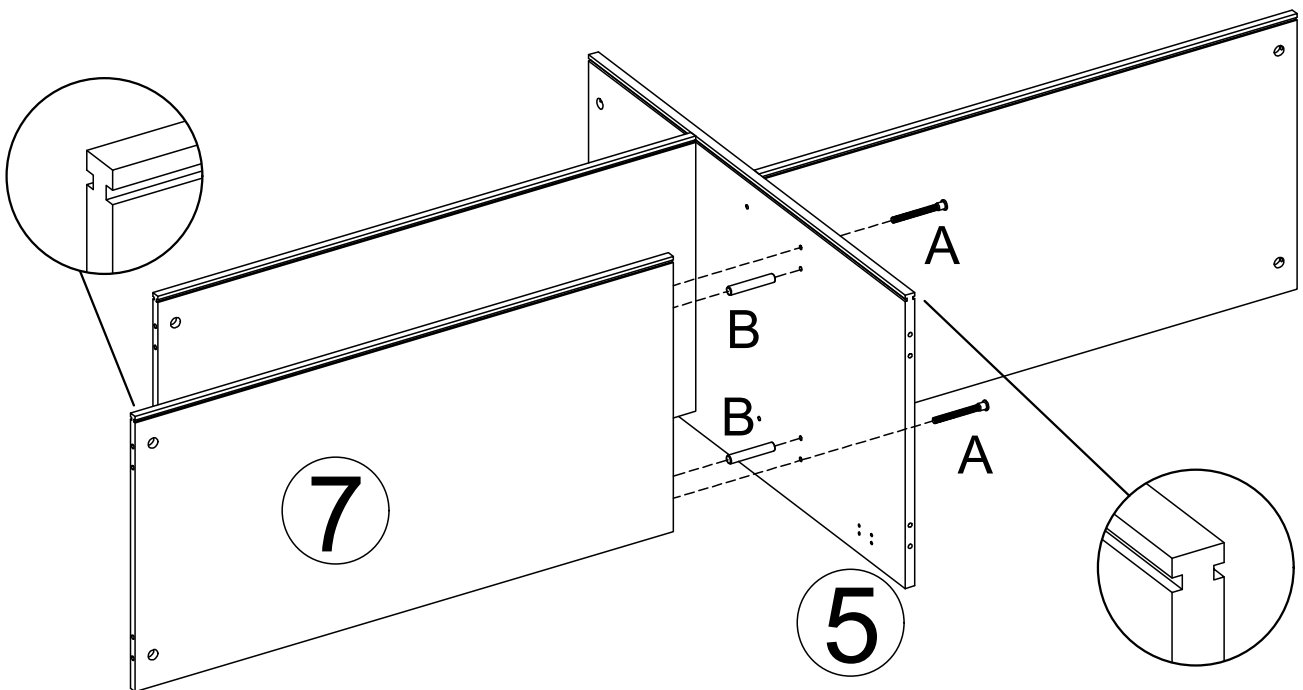
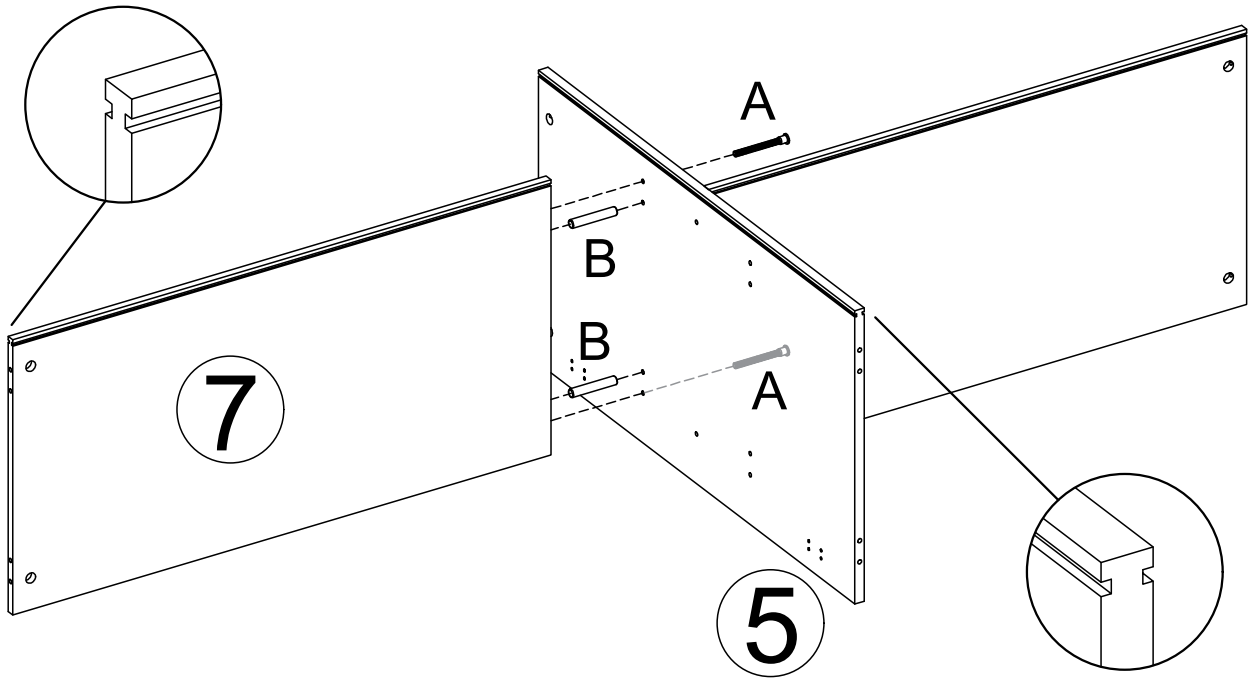
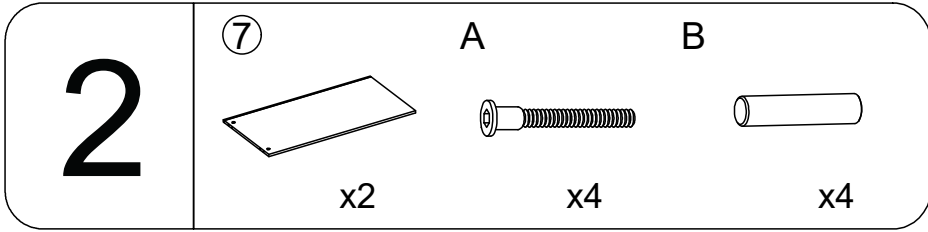
Item no.	Reference Image	Qty	Item no.	Reference Image	Qty
1		x1	8		x2
2		x1	9		x2
3		x1	10		x2
4		x1	11		x2
5		x1	12		x2
6		x1	13		x3
7		x2			

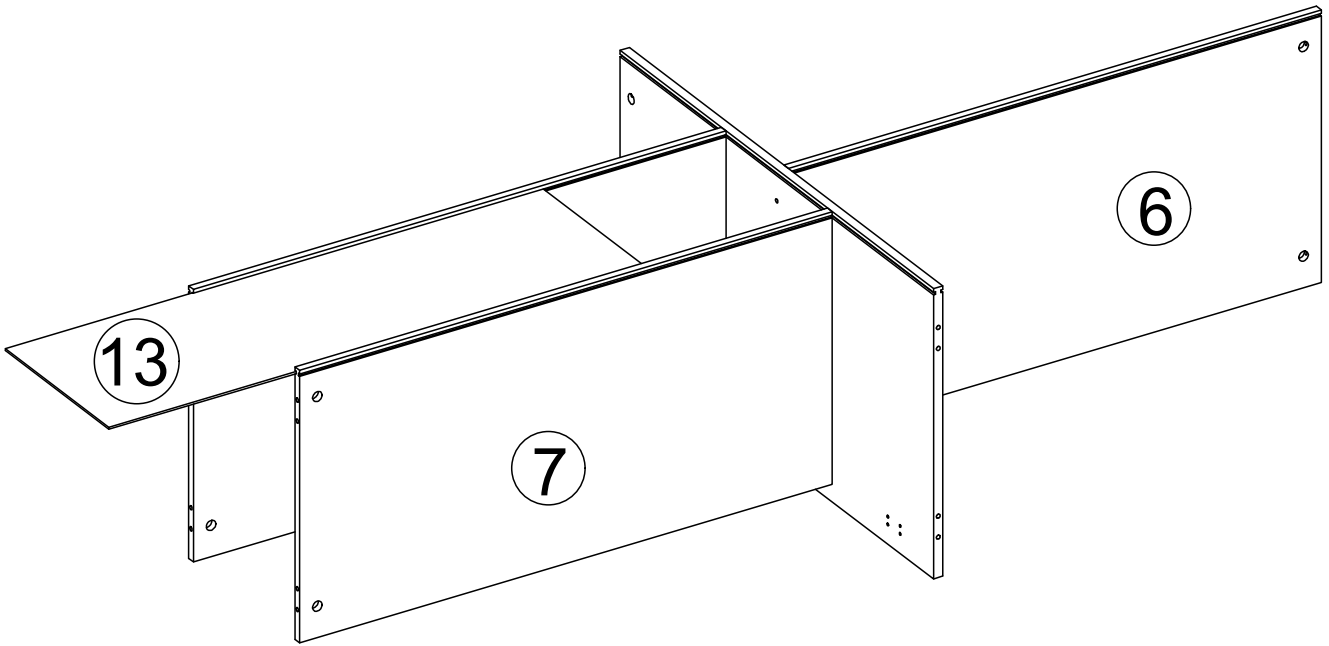
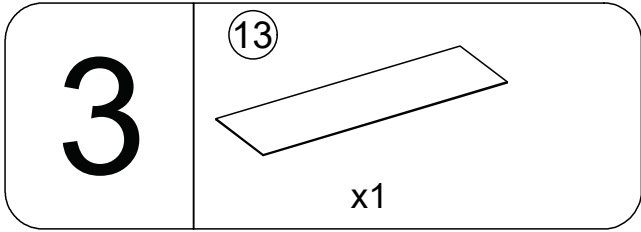
HARDWARE

LIST

<p>A</p>  <p>x16</p>	<p>B</p>  <p>x24</p>	<p>C</p>  <p>x12</p>	<p>D</p>  <p>x12</p>
<p>E</p>  <p>$\phi 3.5 \times 12$ x48</p>	<p>F</p>  <p>M6*20 x16</p>	<p>G</p>   <p>$\phi 3 \times 14$ x8</p>	<p>H</p>  <p>x4</p>
<p>I</p>  <p>x4</p>	 <p>3mm 4mm</p> 		

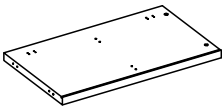






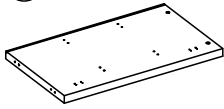
4

③



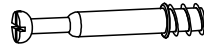
x1

④

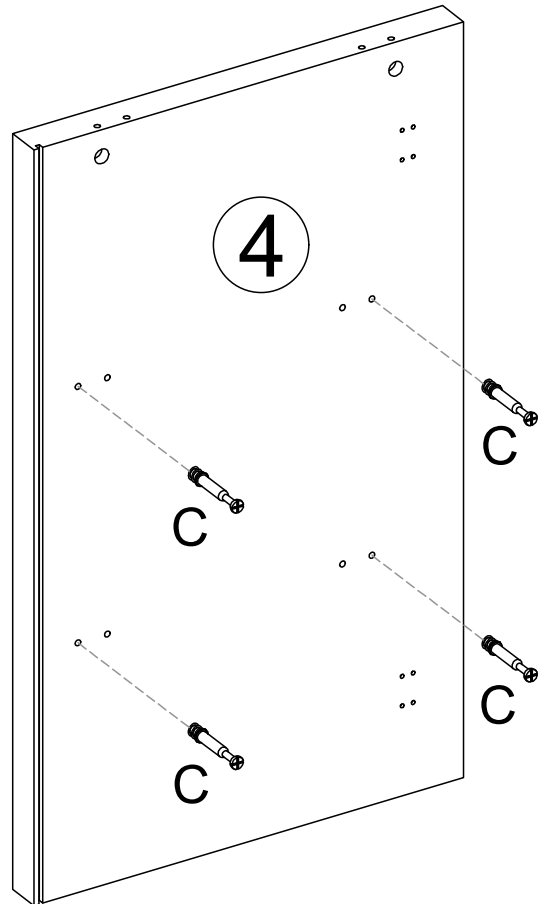
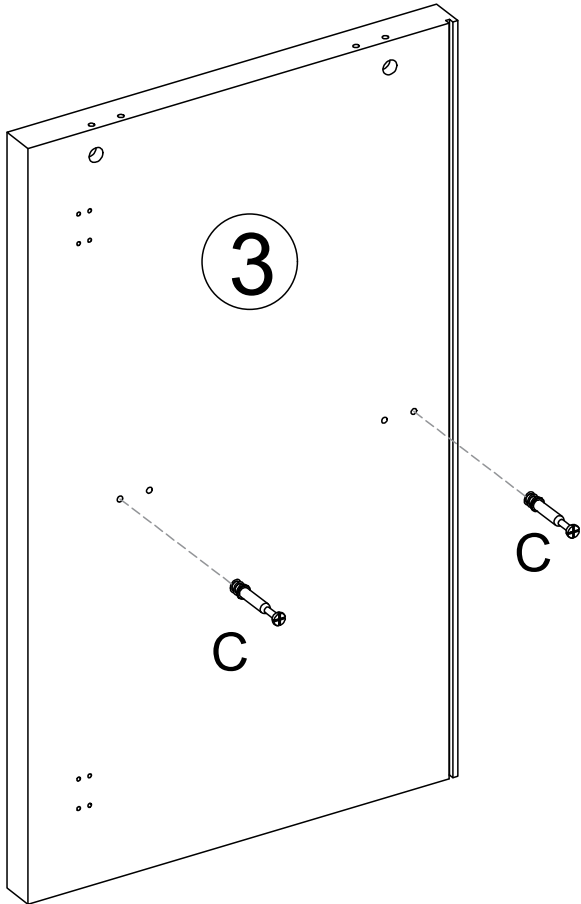
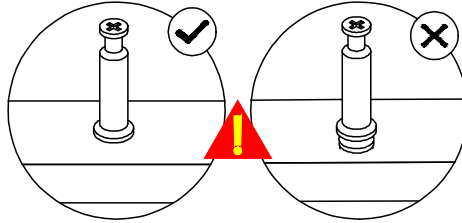


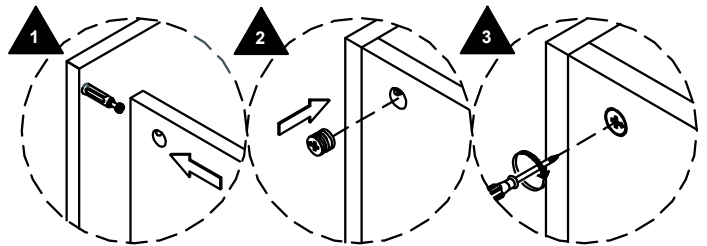
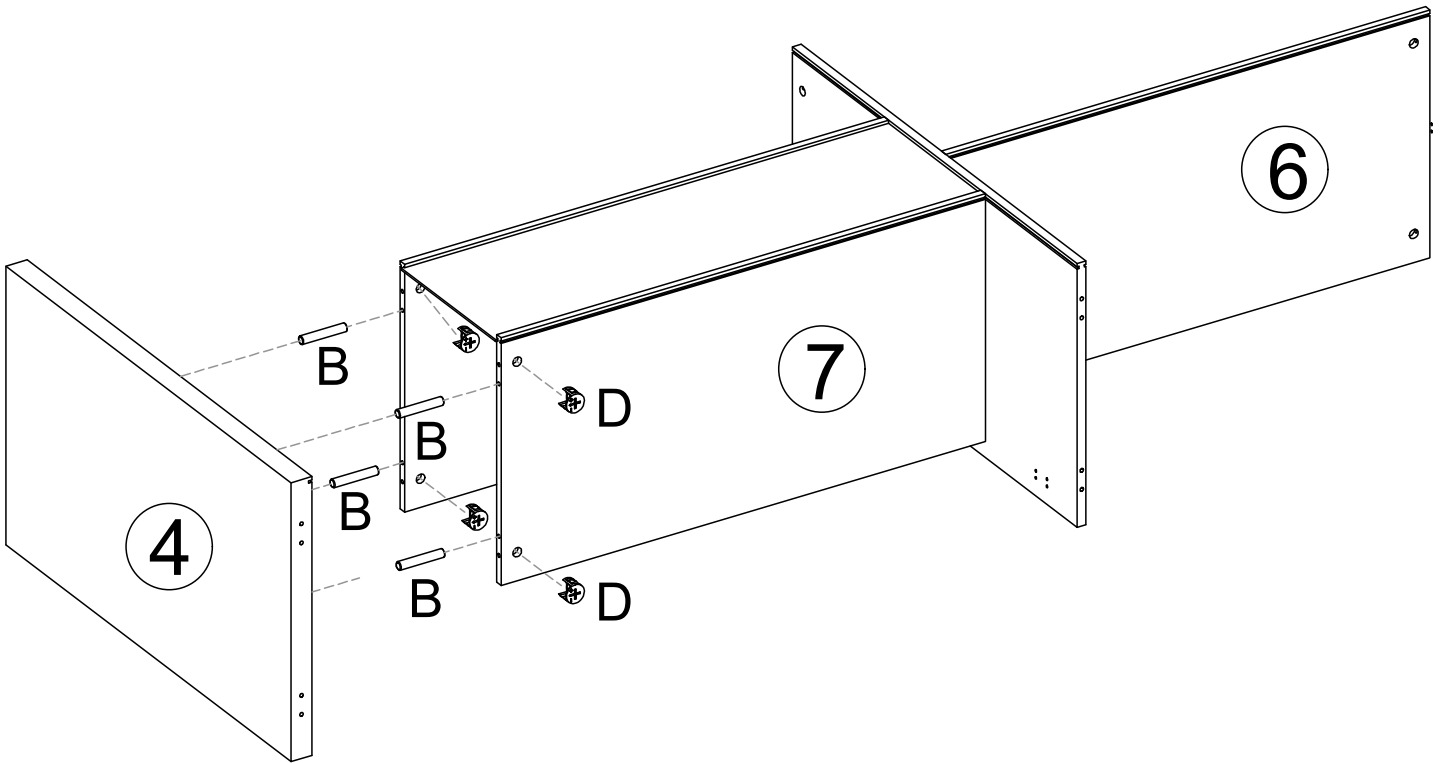
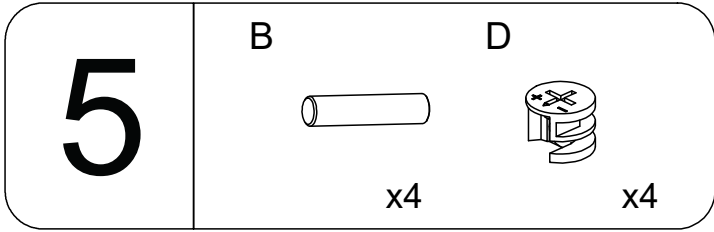
x1

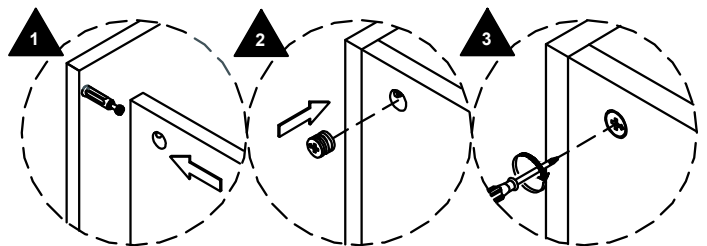
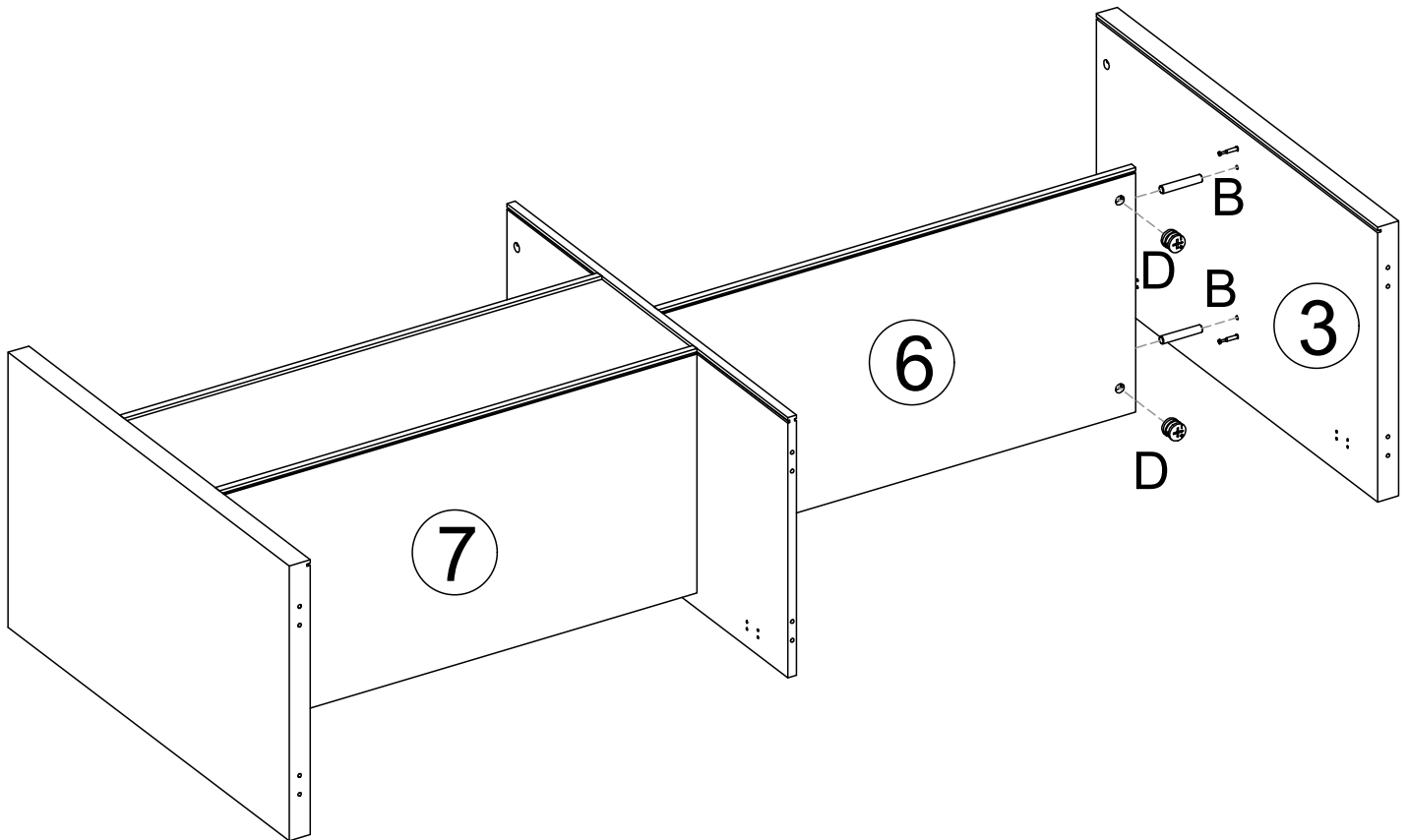
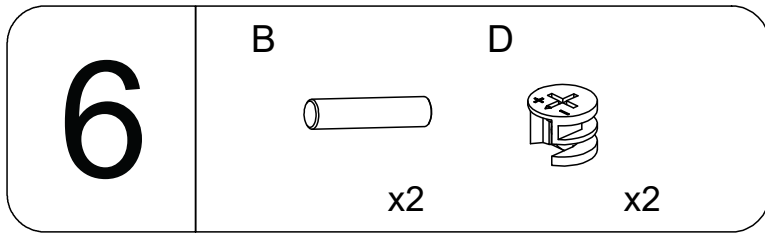
C

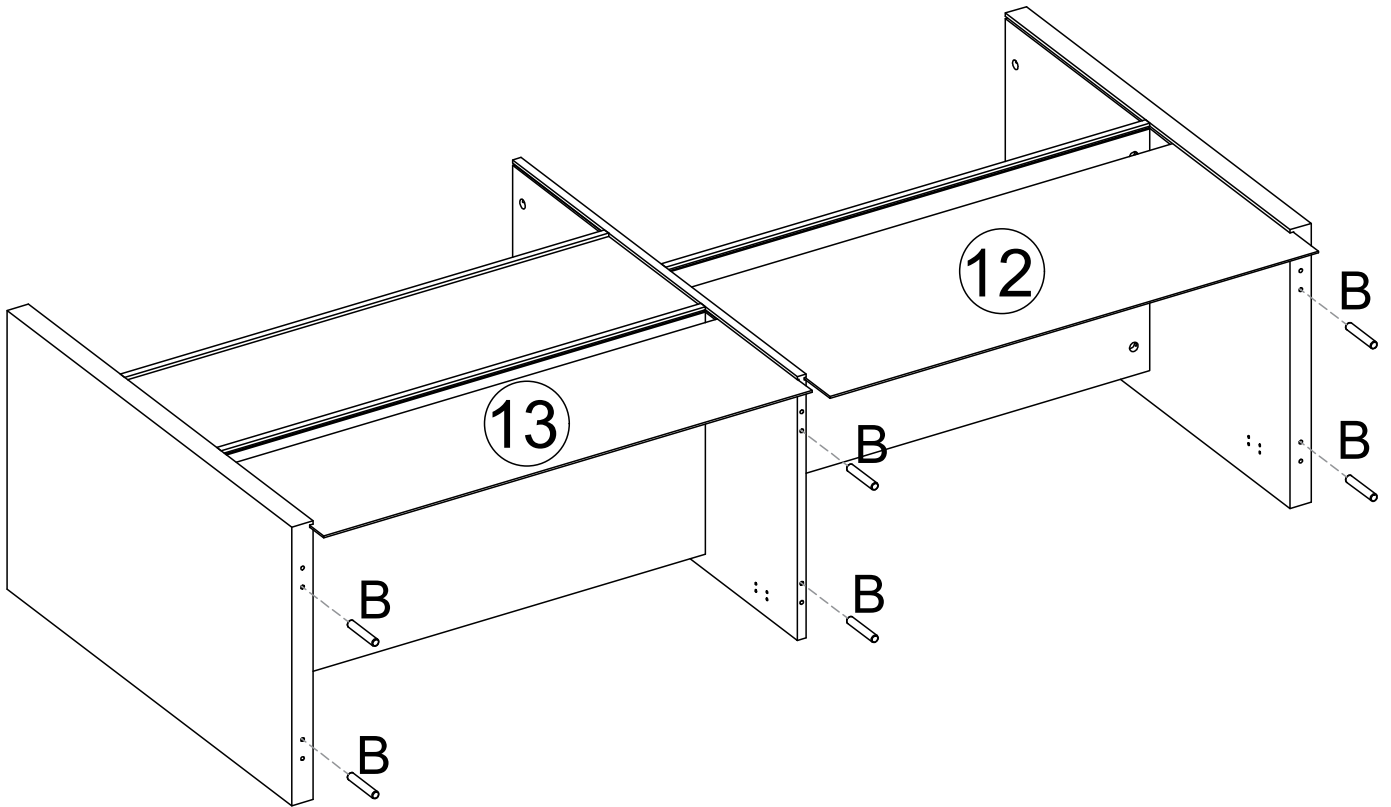
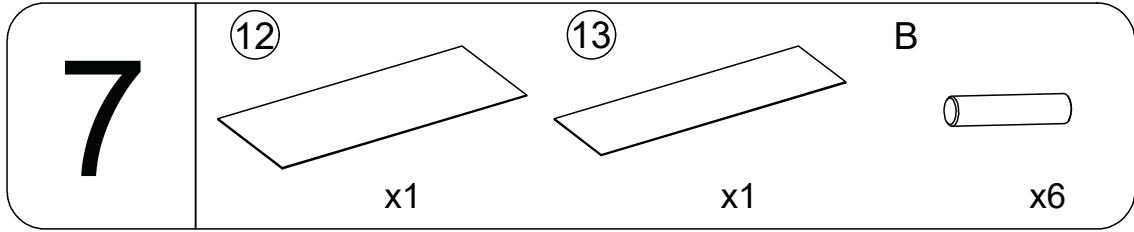


x6



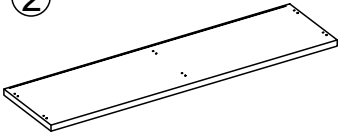






8

2

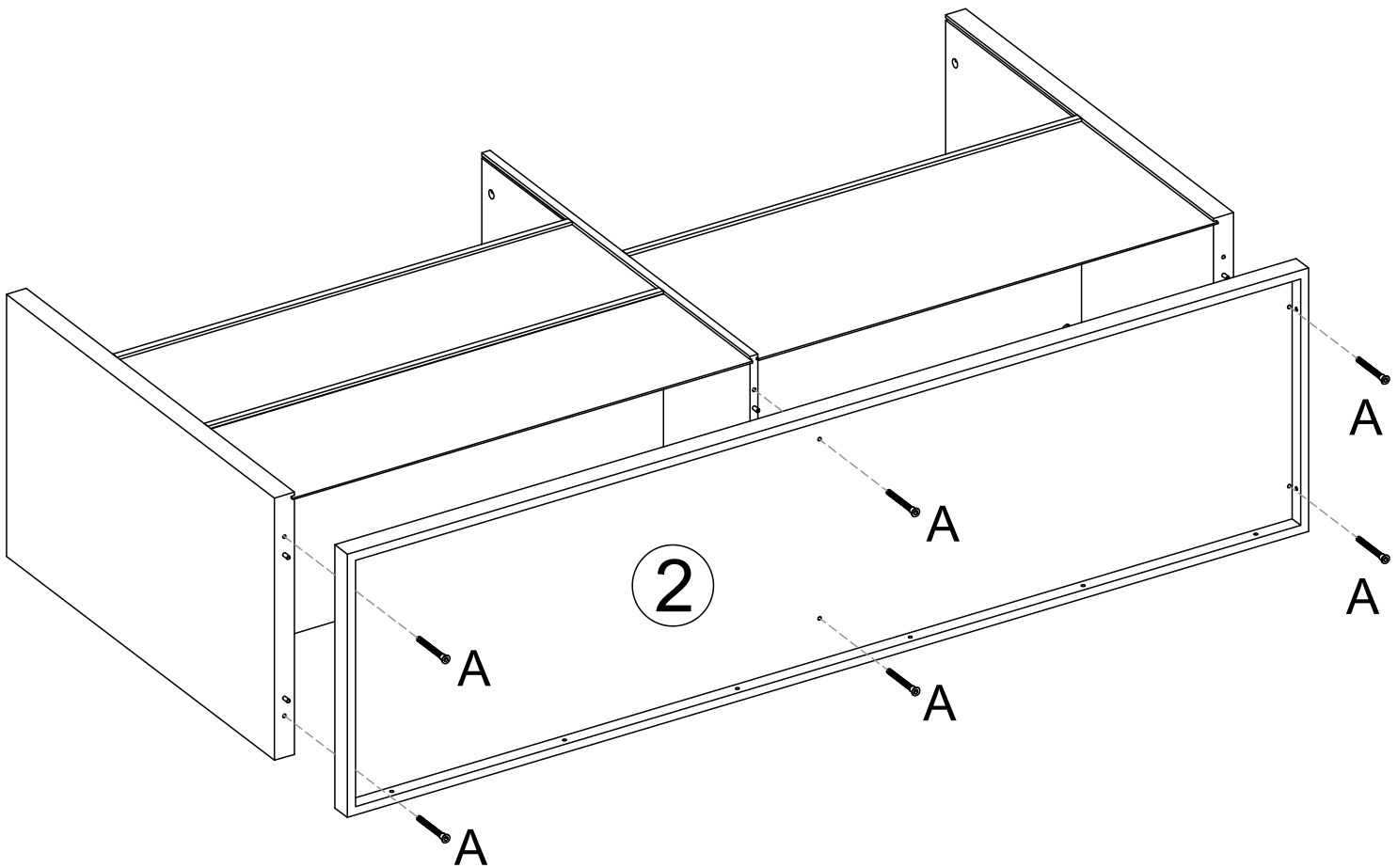


x1

A

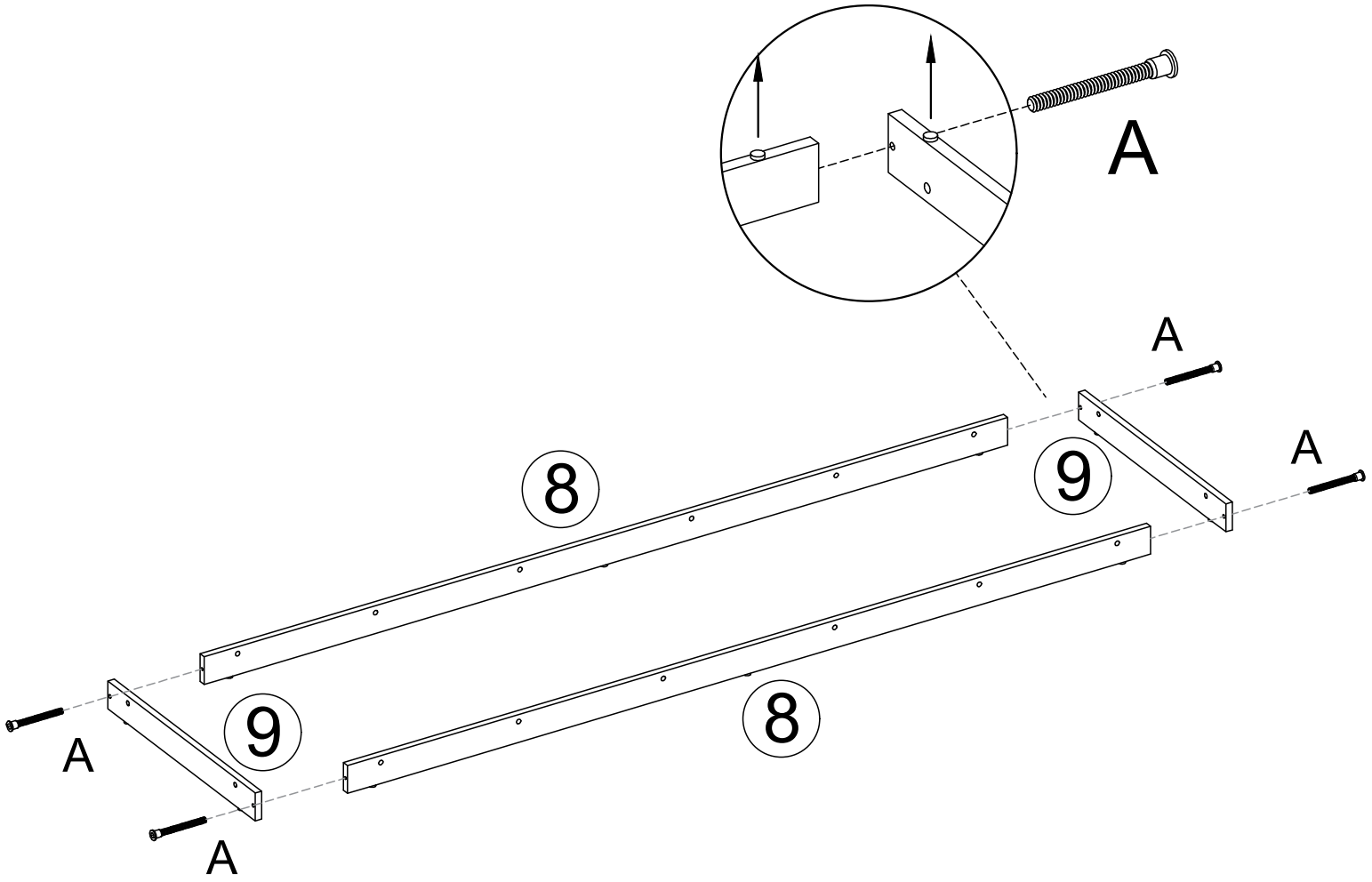


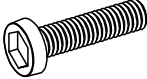
x6

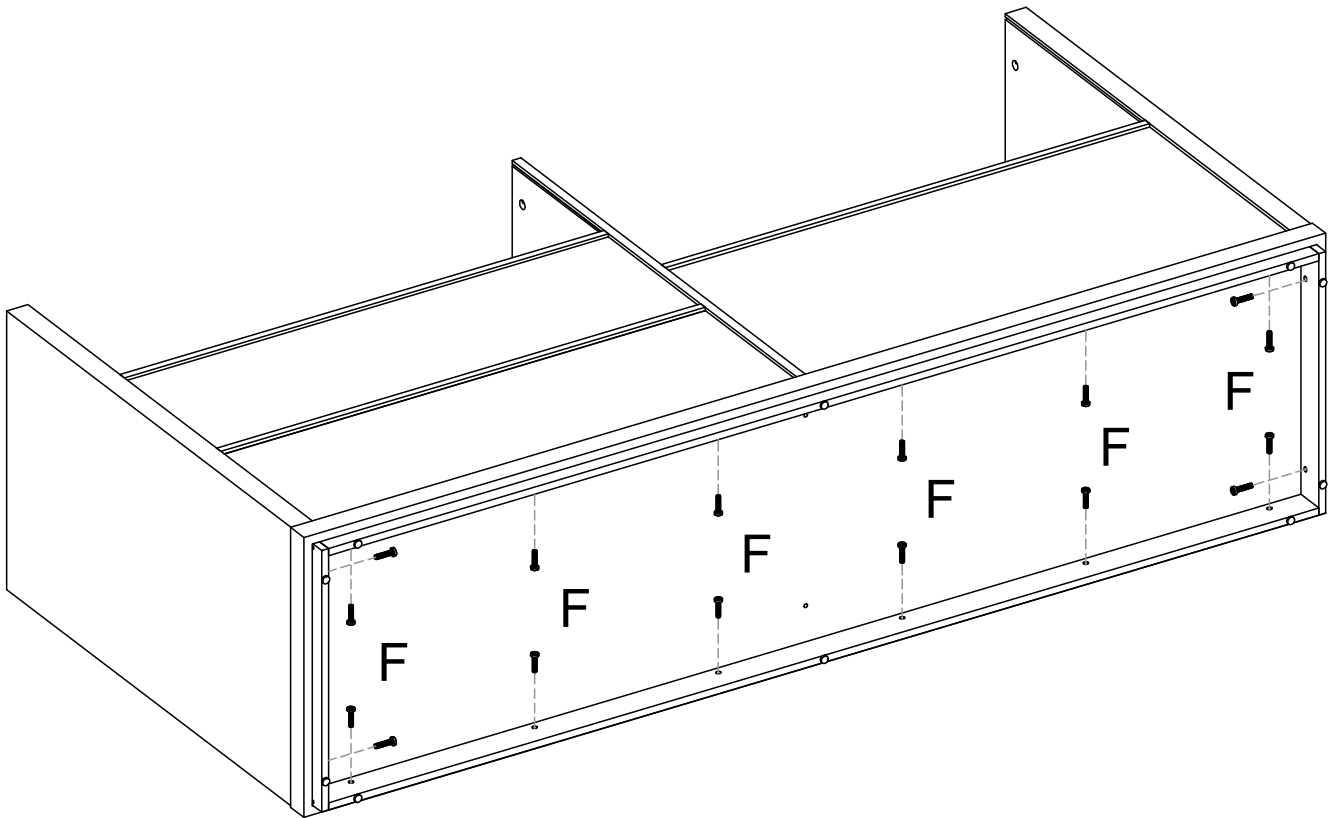


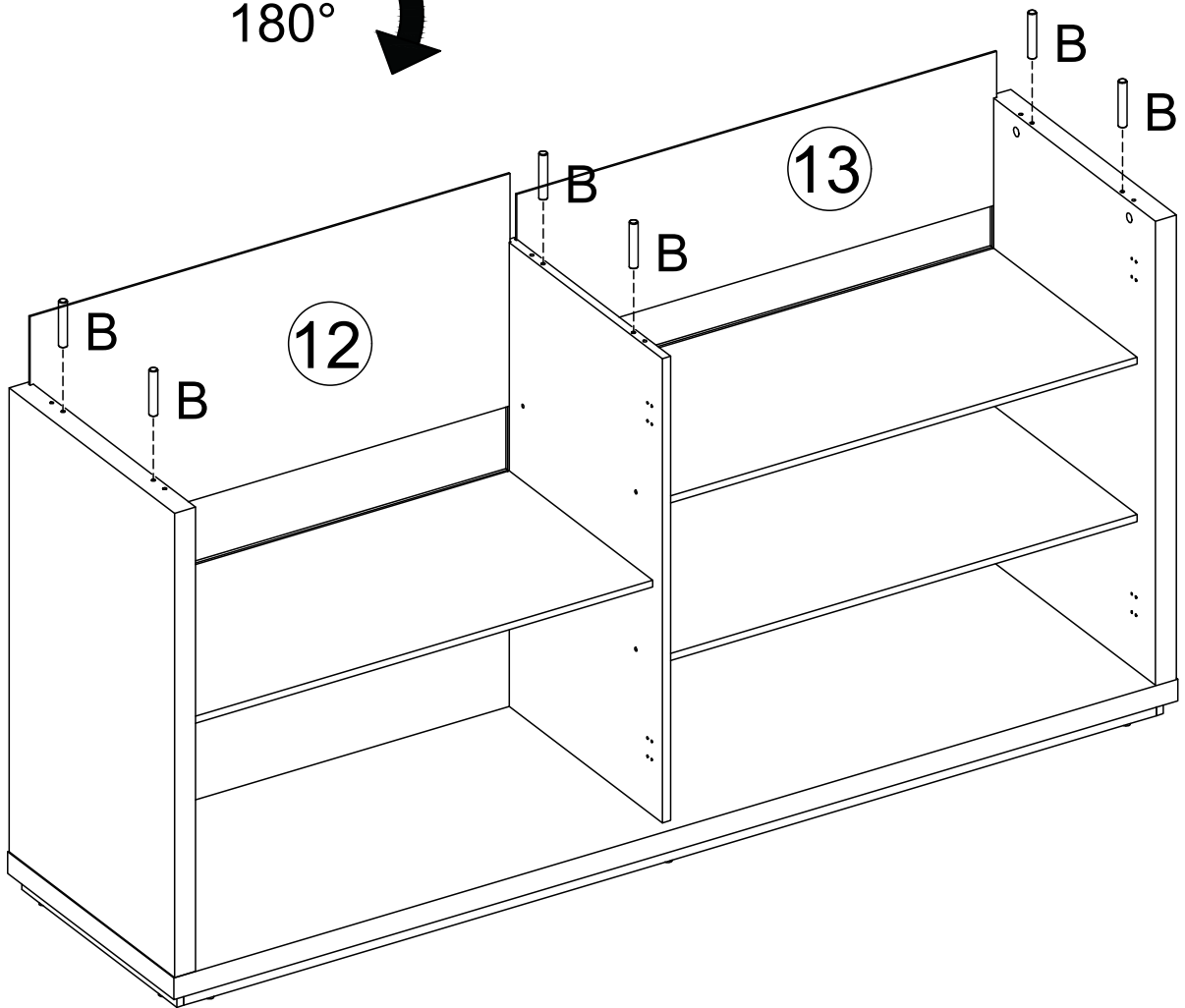
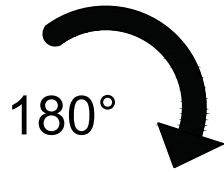
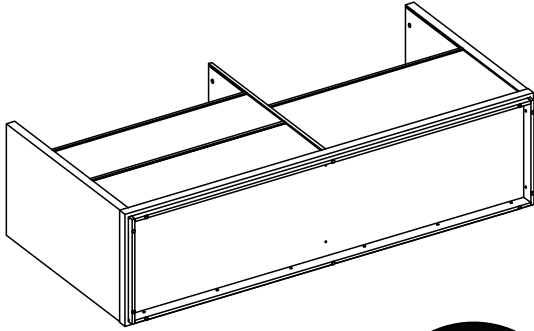
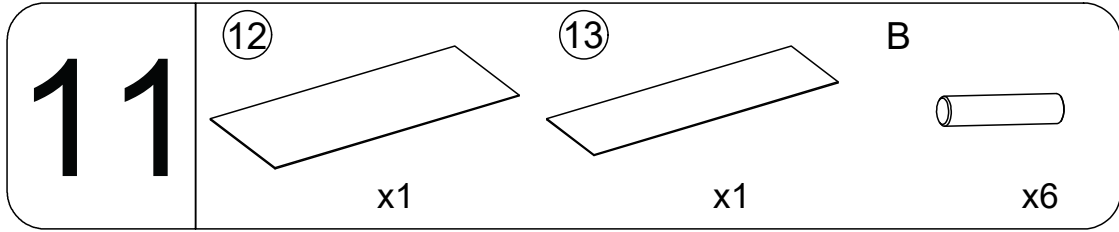
9

⑧ x2 ⑨ x2 A x4



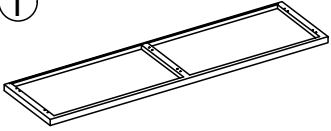
10	F
	
x16	





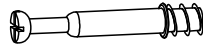
12

①

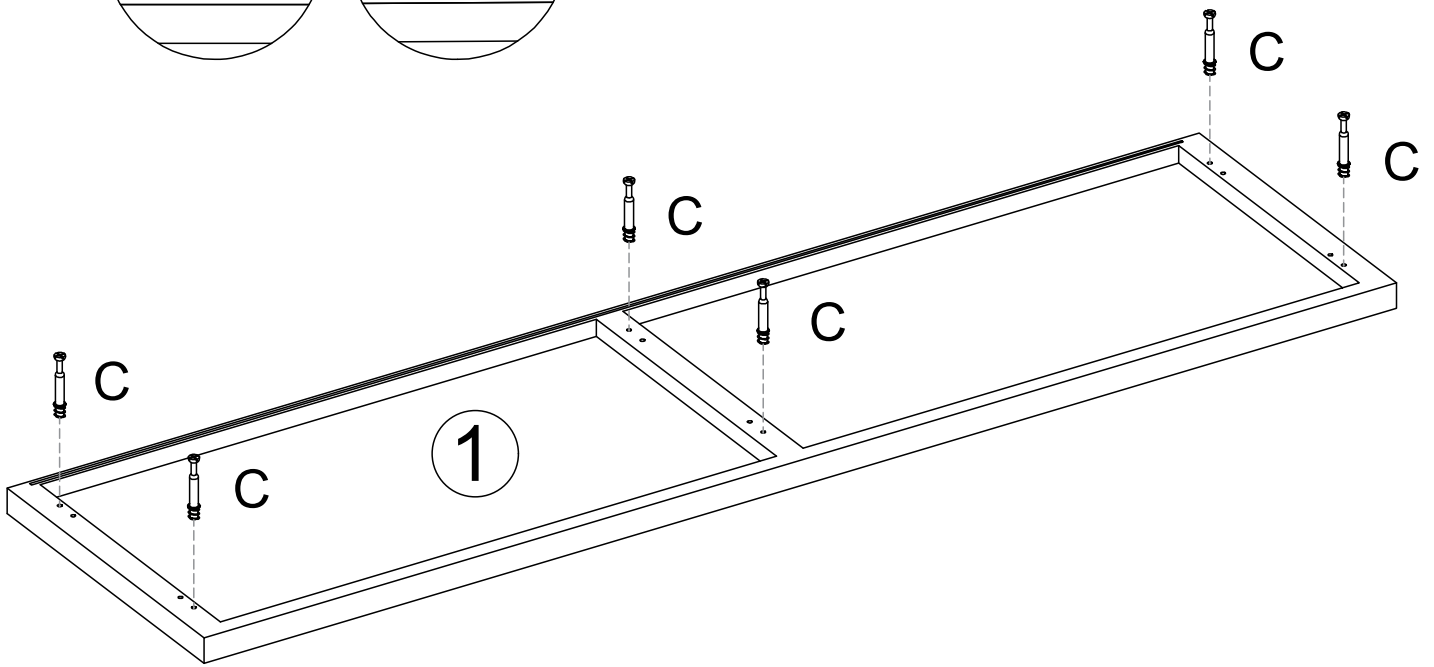
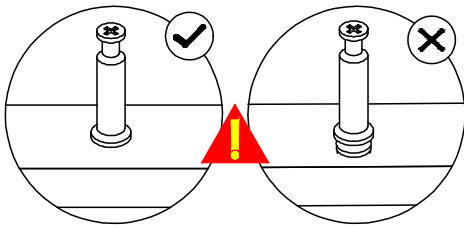


x1

C



x6

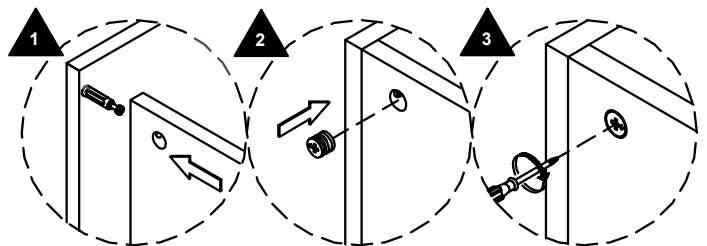
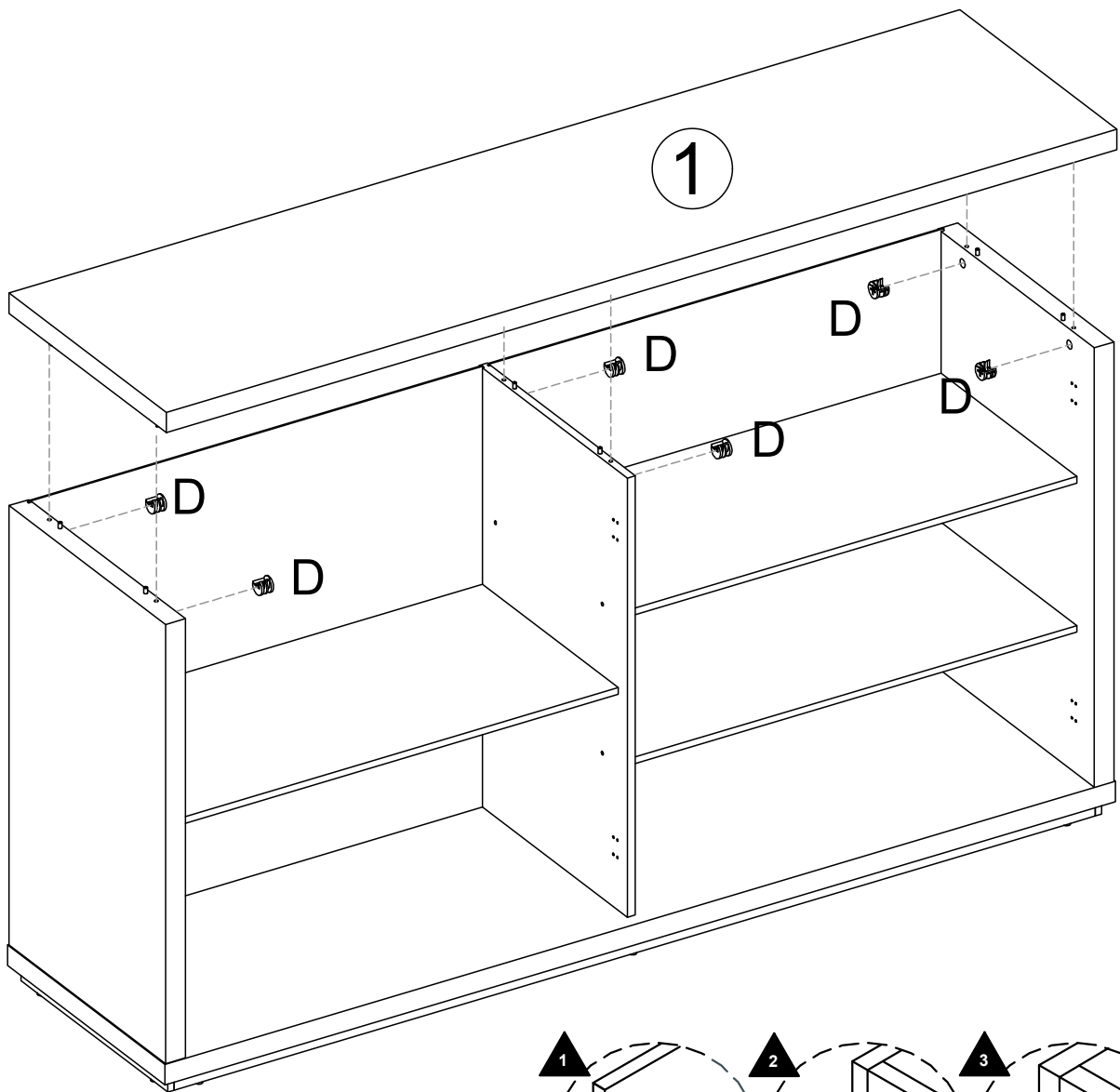


13

D

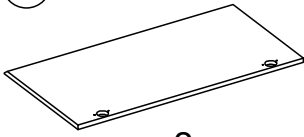


x6



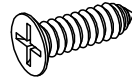
14

10



x2

E



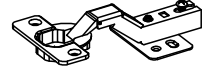
x8

H

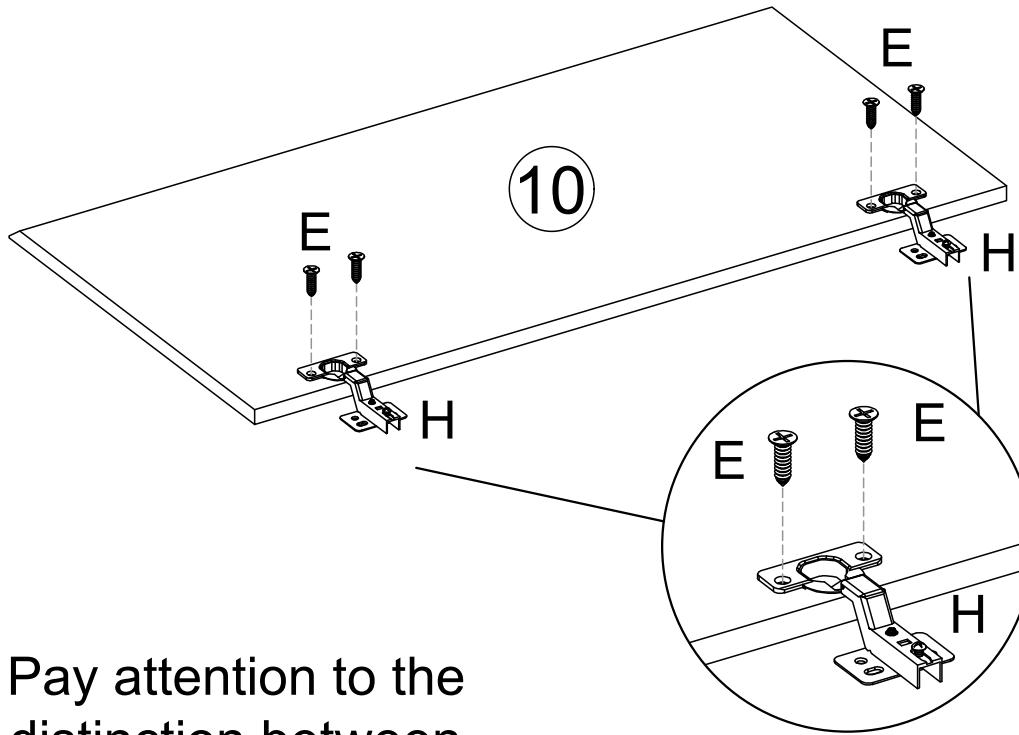


x2

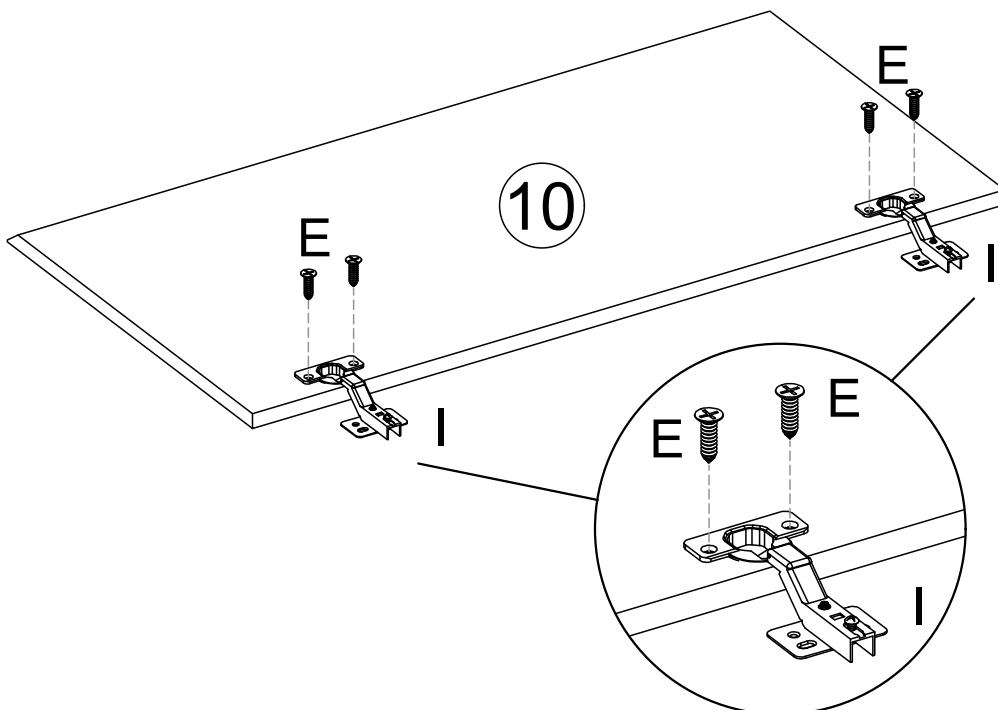
I



x2

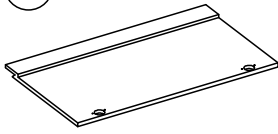


Pay attention to the distinction between numbers H and I



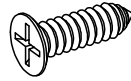
15

11



x2

E



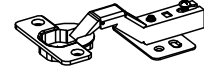
x8

H

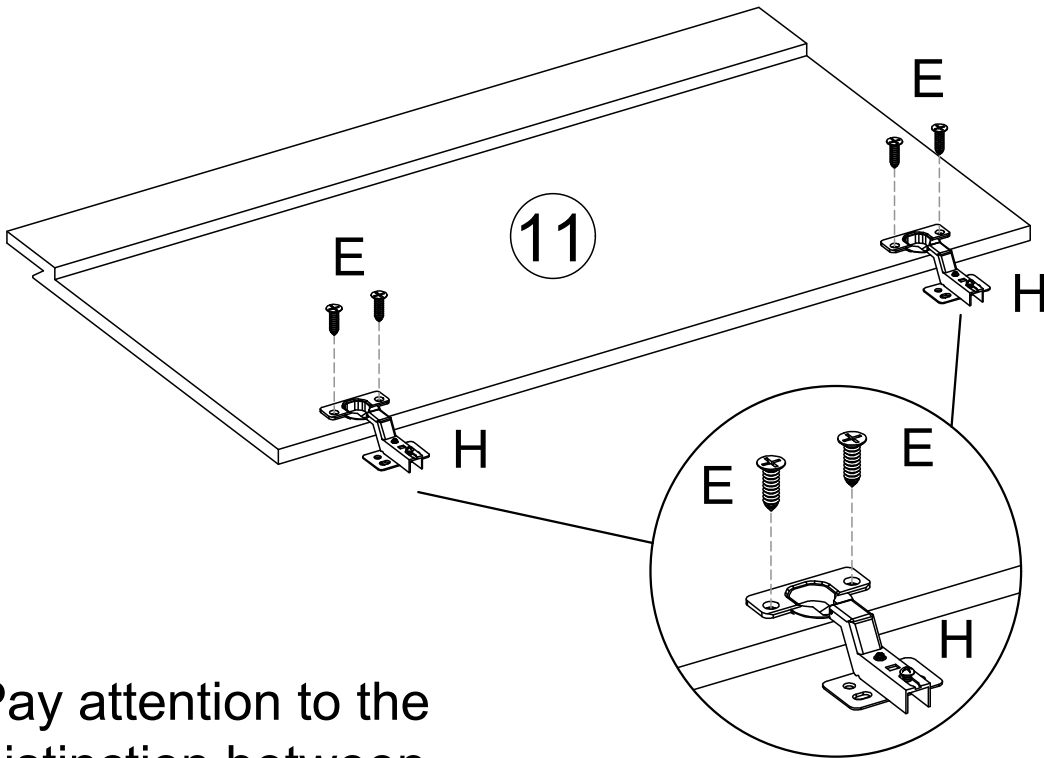


x2

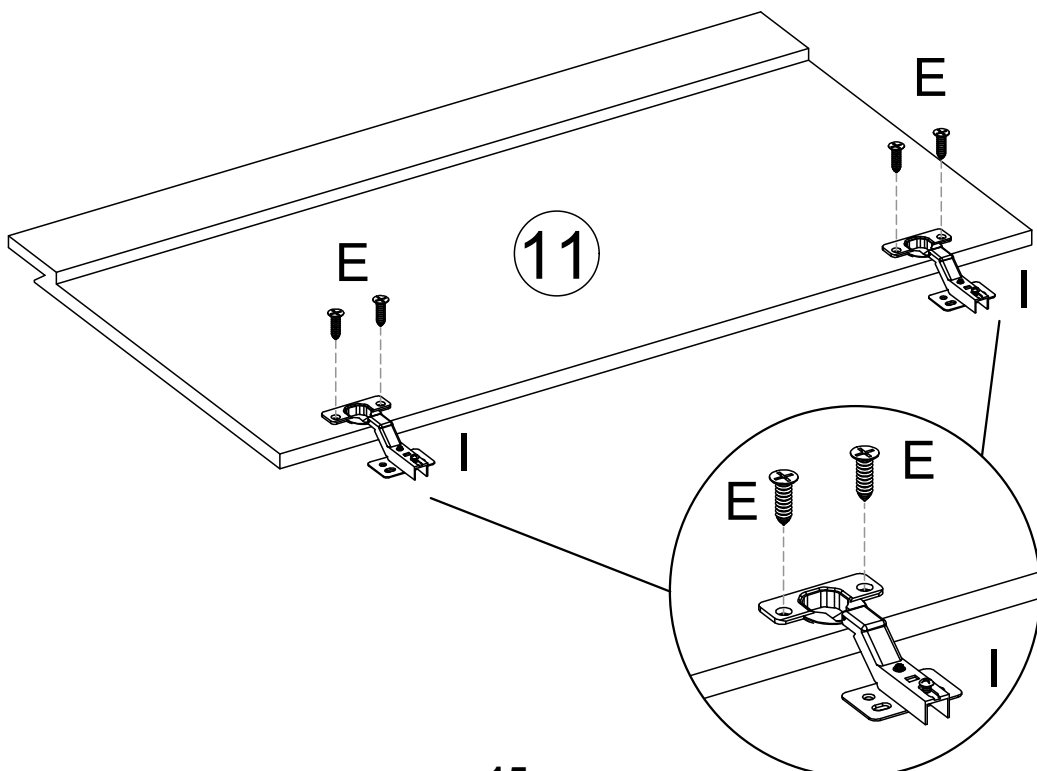
I

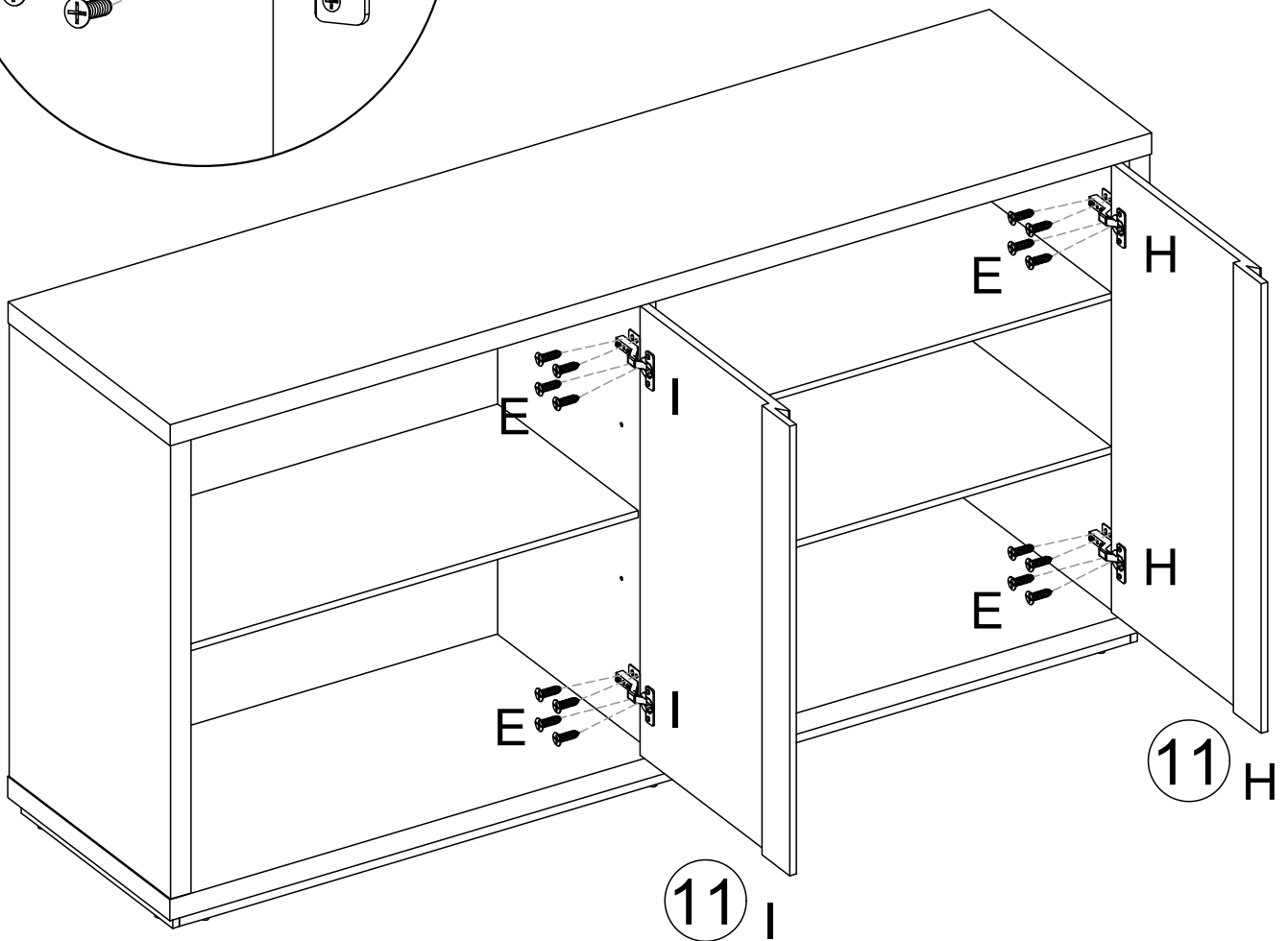
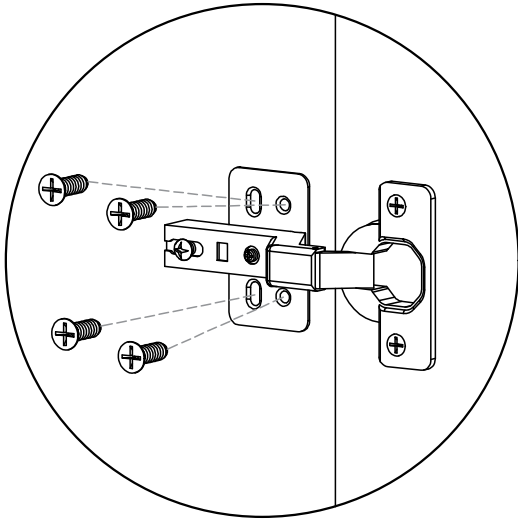
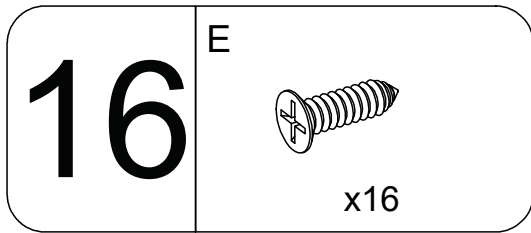


x2

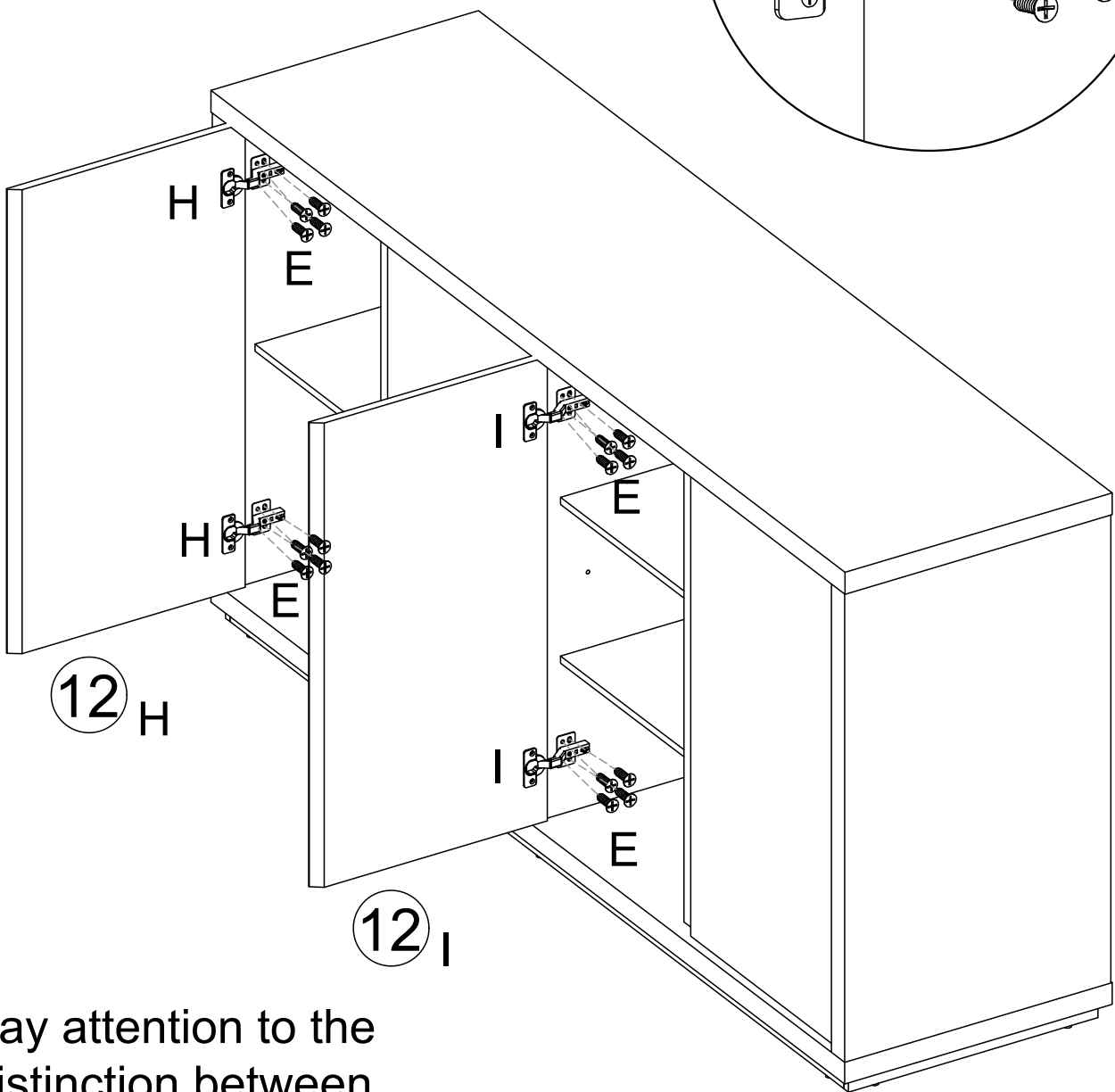
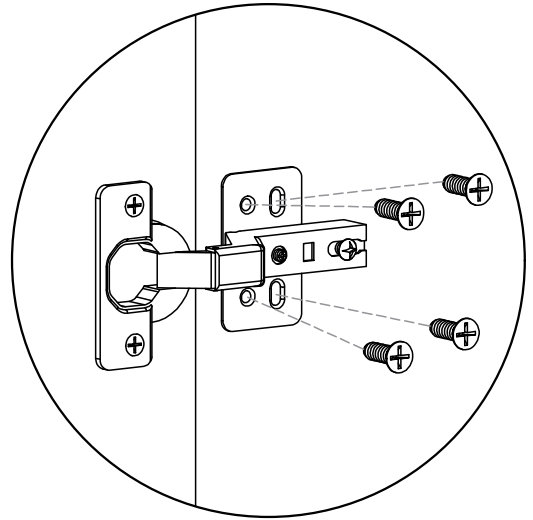
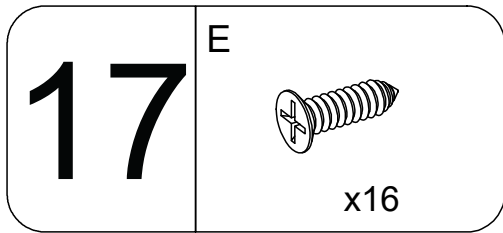


Pay attention to the distinction between numbers H and I



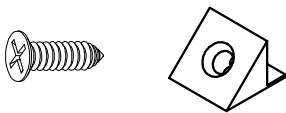


Pay attention to the distinction between numbers H and I
I is in the middle, and H is on the side.

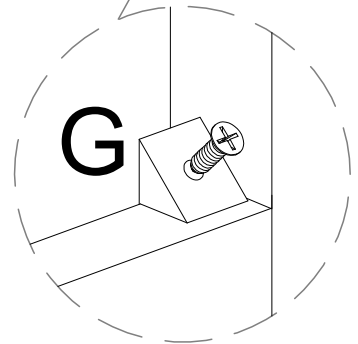
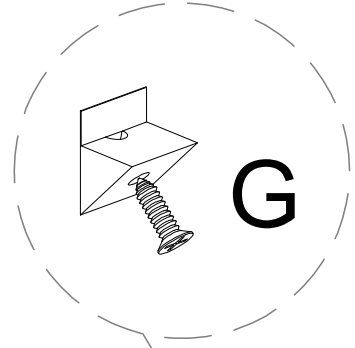


Pay attention to the distinction between numbers H and I. I is in the middle, and H is on the side.

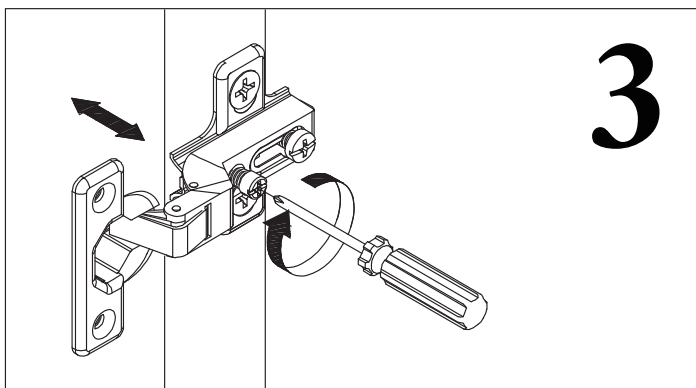
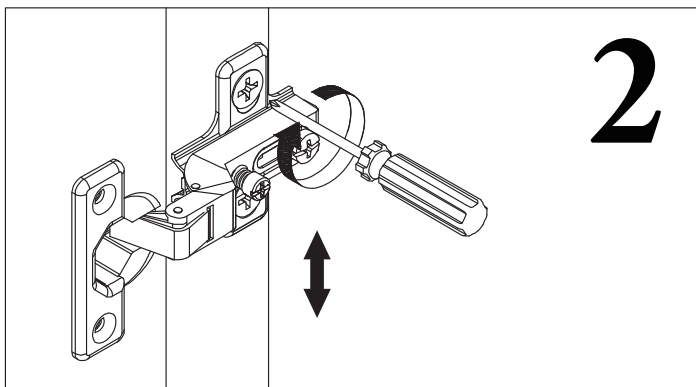
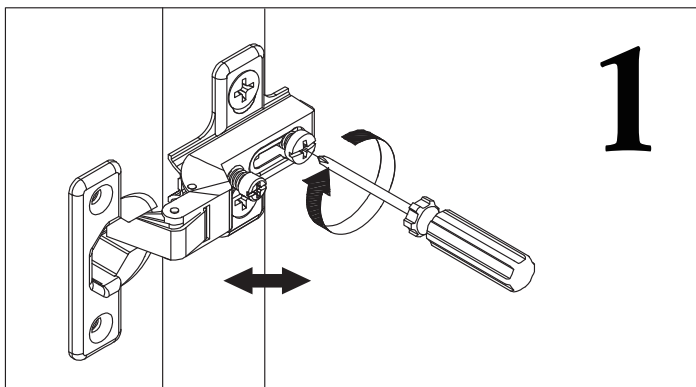
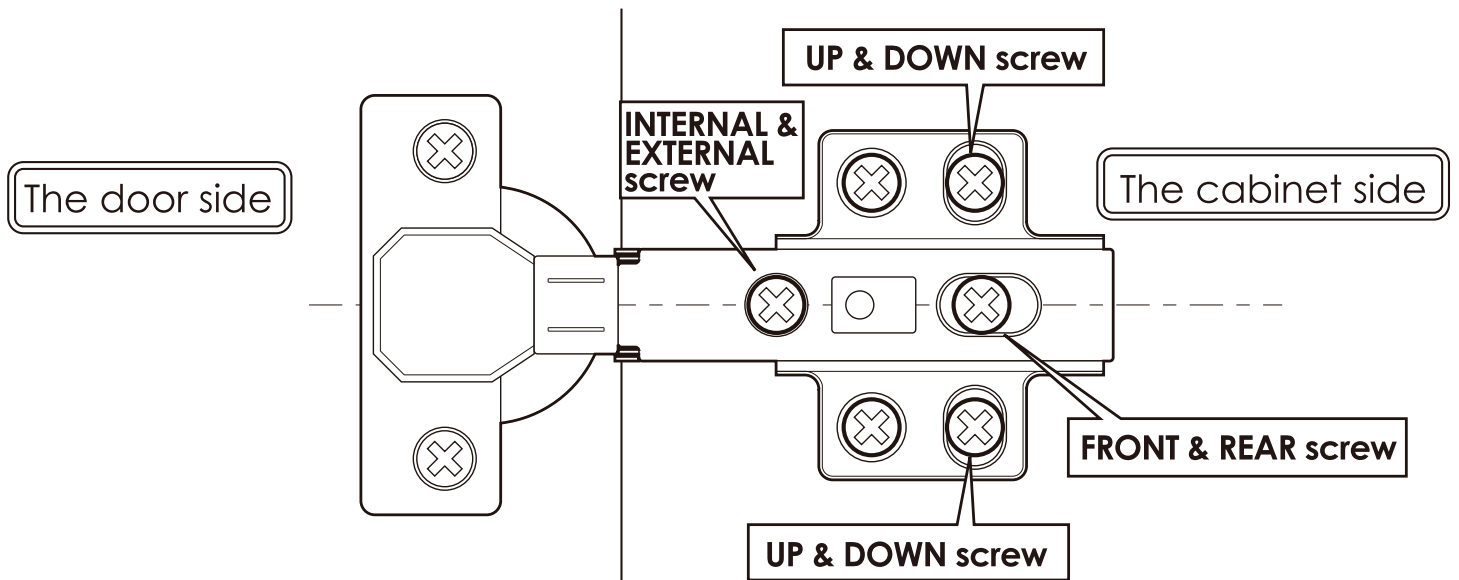
18 ^G



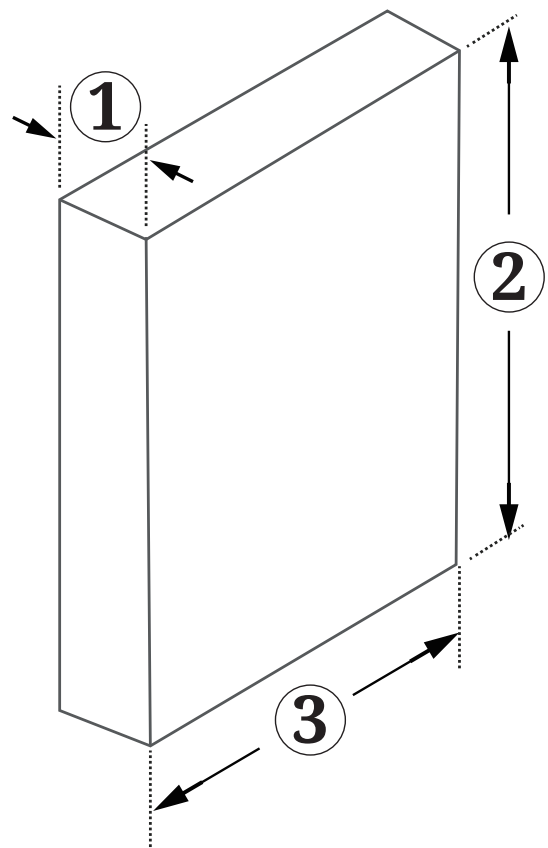
x8



Components Name



Doors may need to be adjusted after the initial shipping of the cabinet . The cabinet doors have a three-way adjustment fea-ture. Height, side to side, level and depth can be adjusted. With the hinge slightly closed you can access the middle screw for up / down adjustment . With the hinge fully extended you can access the front and back screws. These screws will move the door side to side and in and out.



Thank You!

For Purchasing from us

Despite our reinforced packaging, transit mishandling can sometimes occur. In the rare event that your product arrives damaged, we're here to assist you. If your product is in perfect condition, you can disregard this message.

If you discover any damage upon receipt of your package, please contact our after-sales mailbox immediately.

Additionally, we kindly request your assistance in filing a claim against the shipping carrier for the mishandling of your package. Please help us by providing clear photos as follows:

- ★ Complete Shipping Label (Express Delivery Waybill): Take a clear image of the entire shipping label affixed to the package with visible and legible text and barcodes
- ★ Exterior Packaging Damage: Capture a comprehensive photo showing the damaged exterior of the shipping package.
- ★ Interior Item Damage: Provide images focusing on the damaged areas of product

Your cooperation is invaluable, and we assure you that we're committed to resolving this issue promptly. Your satisfaction remains our top priority.

Thank you for your understanding and assistance.

Best regards,