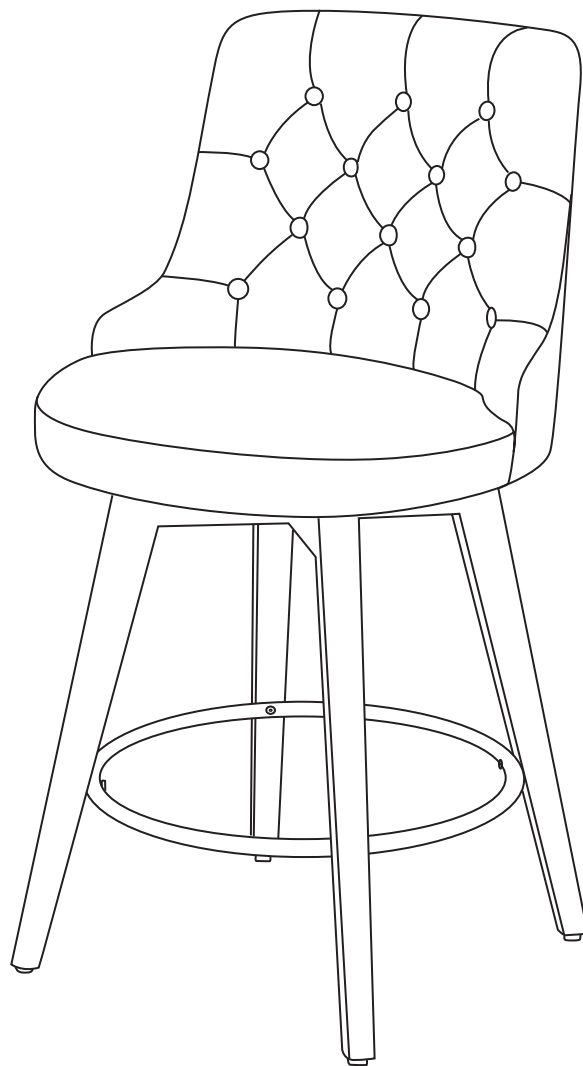


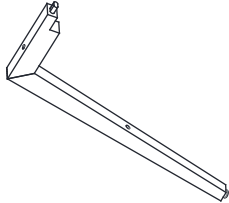
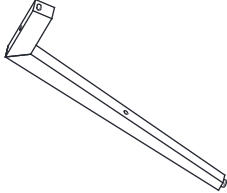
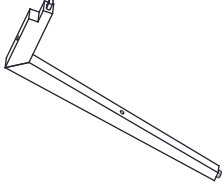
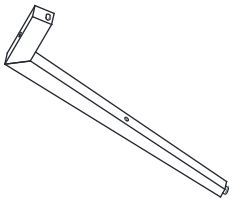
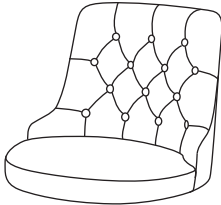

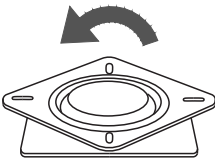




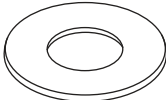

Assembly Manual

Counter & Bar Height Swivel Stool



⚠ CAUTION

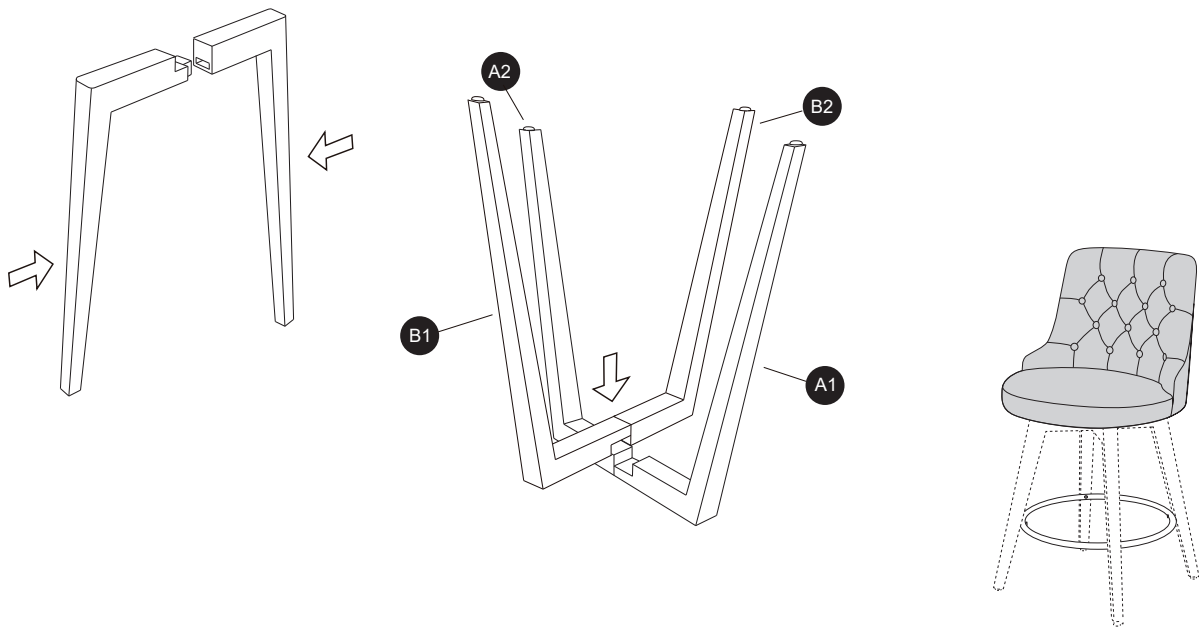
THIS ASSEMBLY MANUAL CONTAINS IMPORTANT SAFETY INFORMATION.
PLEASE READ AND KEEP FOR FUTURE REFERENCE.

<p>A1×1</p> 	<p>A2×1</p> 	<p>B1×1</p> 
<p>B2×1</p> 	<p>C×1</p> 	<p>D×1</p> 
<p>E×1</p> 	<p>H1×4</p>  <p>M6x50mm</p>	<p>H2×4</p>  <p>M6x30mm</p>
<p>H3×4</p>  <p>M6x20mm</p>	<p>H4×4</p> 	<p>H5×4</p> 
<p>T1×1</p> 		

Please read through the instructions below to familiarize yourself with the parts and steps before assembly.

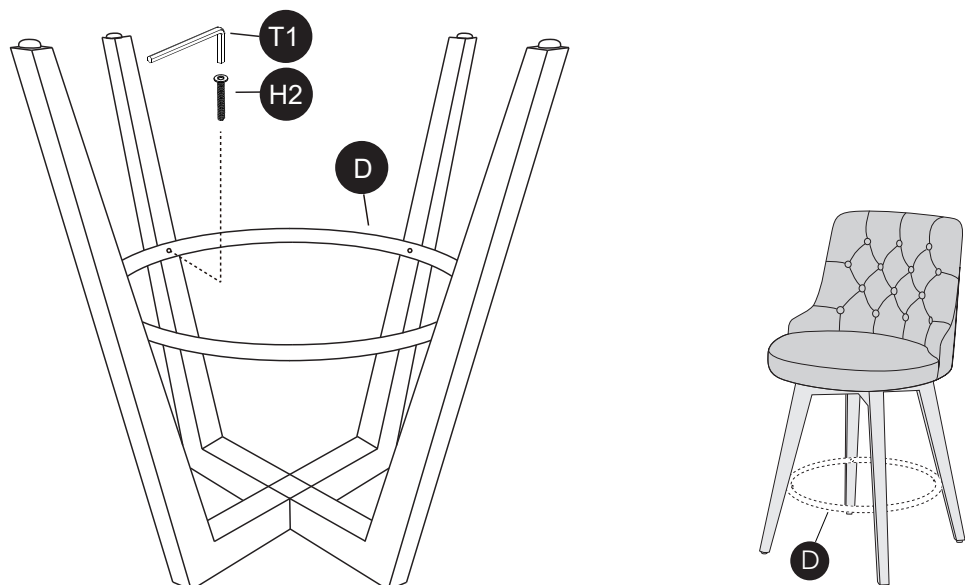
ASSEMBLY INSTRUCTIONS

- 1 Connect Leg (A1) and Leg (A2), Leg (B1) and Leg (B2) together to get the stool base.



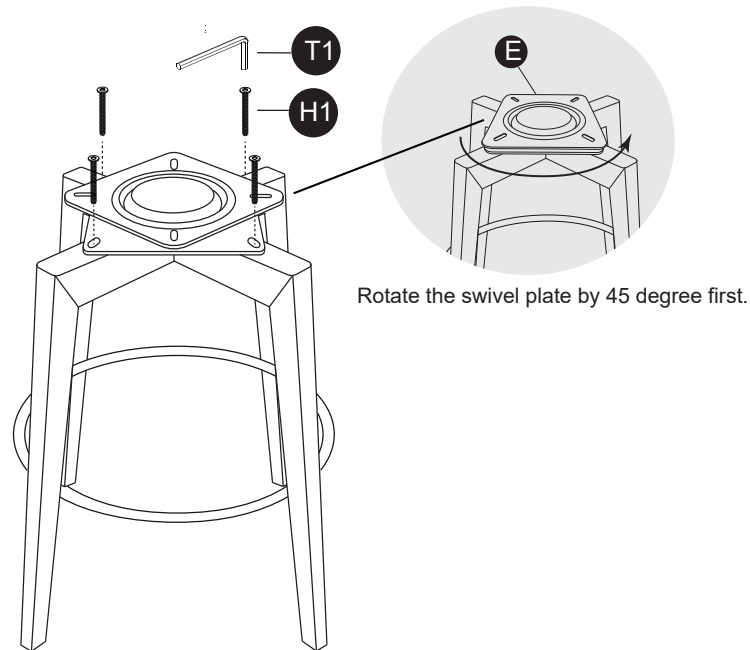
- 2 Flip over the stool base. **Loosely** attach the Bolts (H2) one by one and **keep them loose. Do not fully tighten.** After **loosely** attach the first bolt, move on to the diagonal bolt. After all 4 bolts are attached, use Allen Wrench (T1) to tighten.

Note: Do NOT use power tools for assembly.

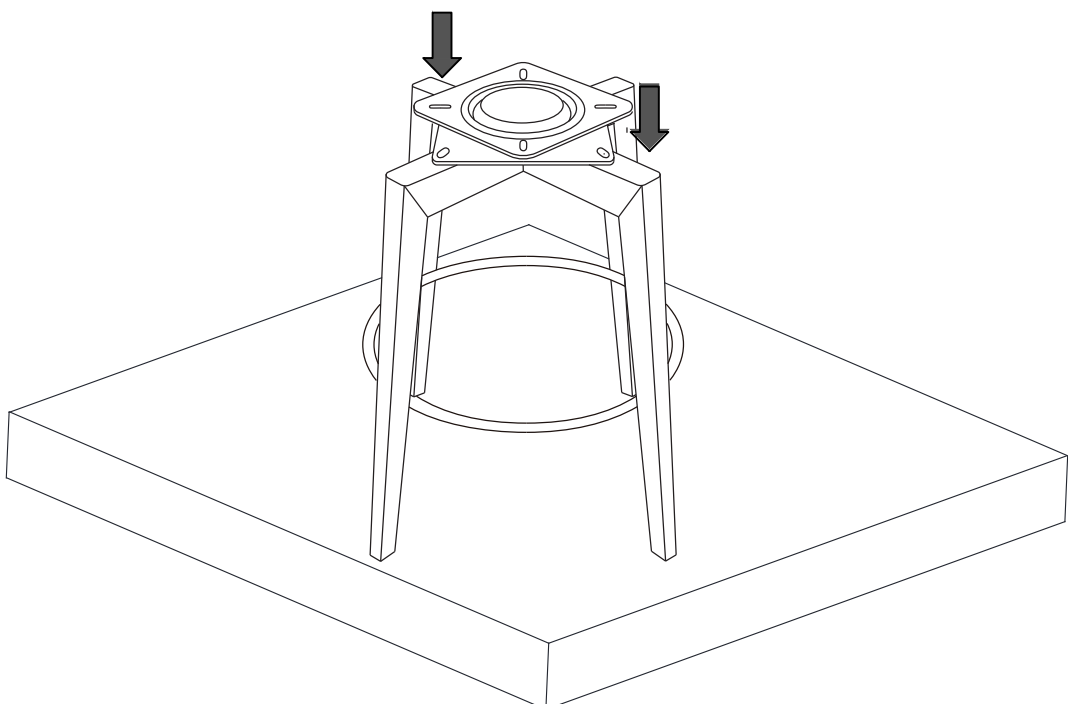


- 3 Attach Swivel Plate (E) to assembled stool base in Step 2, using Longest Bolts (H1) and Allen Wrench (T1).

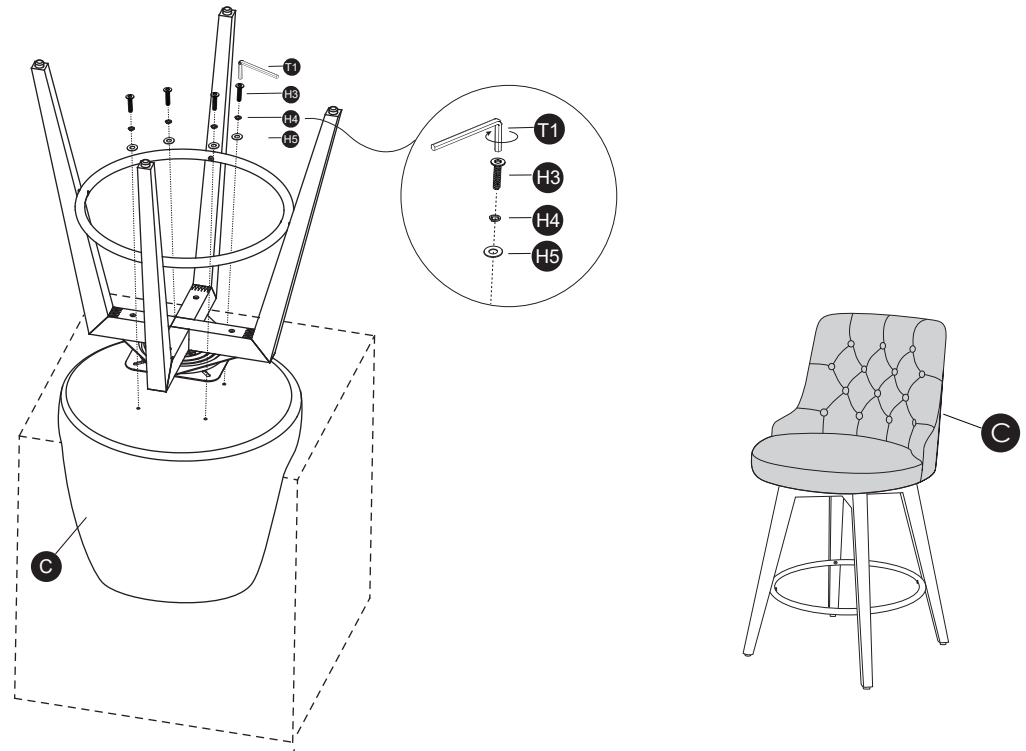
Note: Do not fully tighten yet.



- 4 Put assembled stool base in Step 3 on a flat surface. Push legs up or down as necessary to level. Once level, **fully tighten all bolts.**



- 5** Attach the assembled stool base in Step 4 to the Seat Bucket (C), using Shortest Bolts (H3), Lock Washers (H4), Flat Washers (H5) and Allen Wrench (T1). **Fully tighten all bolts.**



- 6** Assembly complete. Enjoy.
Note: Each leg has an adjustable foot leveler to help level your chair.

