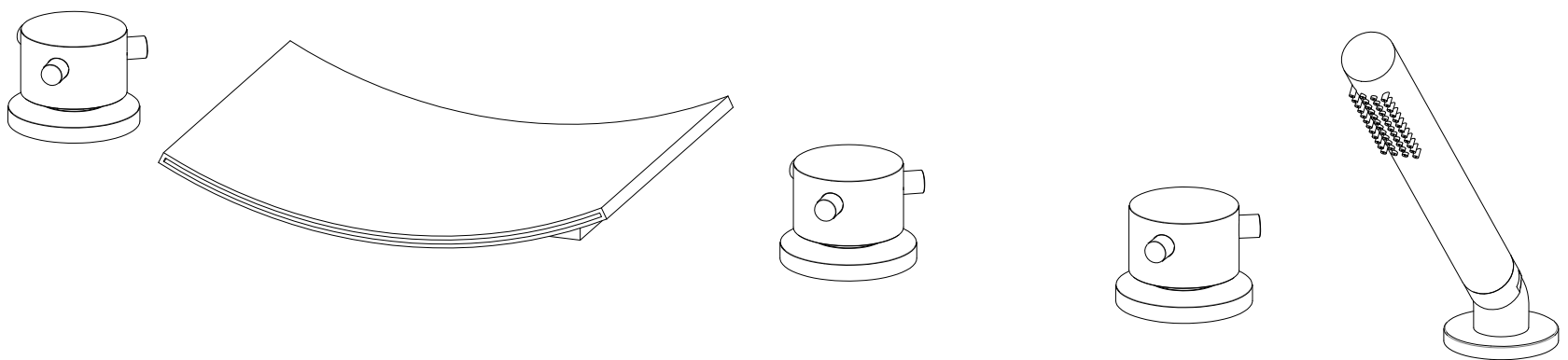


INSTALLATION GUIDE



ROMAN WATERFALL BATHTUB FAUCET

MODEL	FINISH
S2048W-CH	CHROME
S2048W-BN	BRUSHED NICEKL
S2048W-MB	MATTE BLACK
S2048W-BG	BRUSHED GOLD
S2048W-MG	MATTE BLACK AND GOLD

HOT LINE: +1-866-203-0866

THANK YOU

Dear Valued Customer,

Thank you for choosing SUMERAIN products. We sincerely appreciate your recent purchase and hope you are fully satisfied with your new product. At SUMERAIN, all our products are meticulously designed, engineered, and rigorously tested to ensure long-lasting, trouble-free performance under normal conditions.

Installation is simple with basic tools and our step-by-step illustrated guide. We welcome your questions or feedback and look forward to assisting you in the future. For any inquiries, please contact us at +1-866-203-0866 or email us at supports@sumerain.com.

Thank you again for selecting SUMERAIN. We remain dedicated to providing exceptional customer service.

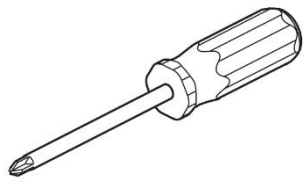
Sincerely,

SUMERAIN Customer Service Department.

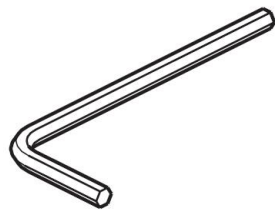
BEFORE PROCEEDING

1. Unpack the product and ensure all components are included in the package. Keep the product in its original packaging until you are ready to install it to prevent damage.
2. Locate the water supply inlets and turn off the water supply valves, which are typically near the water meter or under the sink. If replacing an existing unit, remove the old one and thoroughly clean the mounting surface.
3. Follow all applicable local and state plumbing and building codes to ensure proper installation.
4. If you are uncertain about the installation process, we strongly recommend consulting a professional to avoid potential issues.

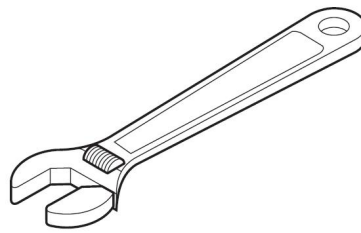
TOOLS RECOMMENDED



Philips Screwdriver



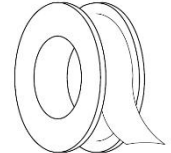
Allen Wrench



Adjustable Wrench



Channel Locks



Teflon Tape

LIMITED LIFETIME CONSUMER WARRANTY

VERSION: 140320.15.3

This product is manufactured and rigorously tested to meet the highest quality standards by HONGKONG SUMERAIN SANITARY INDUSTRY Co., Limited ("SUMERAIN"). This warranty is exclusively applicable to SUMERAIN products purchased by consumers in the United States on or after January 1, 2020. If a faucet develops leaks or drips during normal usage, SUMERAIN will provide the required faucet cartridge to the purchaser, free of charge, to restore the faucet to proper working condition. For any defects identified under normal residential use, SUMERAIN may, at its discretion, repair the product, supply replacement parts or products, or make necessary adjustments to ensure optimal functionality.

WHO IS COVERED BY THE WARRANTY

This warranty exclusively covers the original consumer purchaser, including those who purchased through online retail platforms. Customers specifically covered under the "Online Consumer Limited Lifetime Warranty & Return Policy" are also included. Please note that this warranty is non-transferable and cannot be assigned to any other individual or entity.

WHAT IS COVERED BY THE WARRANTY

This warranty applies exclusively to SUMERAIN-manufactured products purchased by the consumer. SUMERAIN warrants against defects in materials or workmanship under normal installation, use, service, and maintenance. If the product or its components are found to be defective due to faulty materials or workmanship, SUMERAIN will, at its discretion, provide free replacement parts or replace the entire product.

FINISH WARRANTY

Customers are responsible for inspecting the product for any material or finish defects within three days of receipt. Please note that surface finish defects are not covered under warranty once the fixture has been installed.

ELECTRONIC FAUCETS WARRANTY

SUMERAIN warrants its LED components, including electronic faucets, valves, controllers, and battery-powered devices, against material and manufacturing defects for one year from the date of purchase under normal use. The water flow impeller power device (LED power generation unit) is covered against manufacturing defects for three months from the date of purchase.

LENGTH OF WARRANTY

As stated in the following, any replacement or repaired parts of the product will be covered for the duration of this warranty, which SUMERAIN provides for a period of 1 year from the original date of purchase.

CIRCUMSTANCES THAT SUMERAIN WILL NOT WARRANT AND PAY FOR:

- A. Conditions, malfunctions, or damage that are not caused by defects in material or workmanship are not covered under the warranty.
- B. Conditions, malfunctions, or damage resulting from normal wear and tear, improper installation, improper maintenance, misuse, abuse, negligence, accidents, alterations, or the use of abrasive or caustic cleaning agents, "no-rinse" cleaning products, or operation contrary to the provided instructions, including issues caused by home conditions such as excessive water pressure or corrosion, are excluded from the warranty.
- C. Labor costs or other expenses related to the disconnection, deinstallation, or return of the product for warranty service, as well as the installation or reinstallation of the product, are not covered under the warranty.
- D. Accessories, connected materials, and related products (including but not limited to hand shower flexible hoses, spray flexible hoses, hand showers, and showerheads) that are not manufactured by SUMERAIN are excluded from warranty coverage.

TO OBTAIN WARRANTY PARTS OR INFORMATION

To obtain warranty parts or information, please follow these steps:

Contact your SUMERAIN retailer, call the technical service line at +1-866-203-0866, or email supports@sumerain.com.

When applying for warranty service, provide the following information:

- a. A sales receipt or proof of purchase date and platform.
- b. A detailed description of the issue.
- c. Ship the product or defective parts to the designated SUMERAIN warehouse in the United States with prepaid postage. Ensure the items are carefully packaged and insured. Once the warranty service is completed, repaired or replaced products or parts will be returned to you with prepaid postage.

If you have further questions or require additional assistance, please contact SUMERAIN using the information provided above.

EXCLUSIONS & LIMITATIONS

Under the terms of this warranty, repair, replacement, or, in limited cases, a refund of the purchase price is the sole remedy available to the purchaser. SUMERAIN assumes no obligations or liabilities and does not authorize any individual to create obligations or liabilities related to this product. SUMERAIN is not liable for any incidental, special, or consequential damages resulting from a breach of this warranty or any implied warranties, including merchantability. Please note that some states do not allow the exclusion or limitation of incidental or consequential damages, so the above limitations or exclusions may not apply to you. This warranty provides specific legal rights, and you may also have additional rights that vary by state. Before filing any legal action under the Magnuson-Moss Warranty Act, you may be required to provide SUMERAIN with a reasonable opportunity to address or resolve any non-compliance.

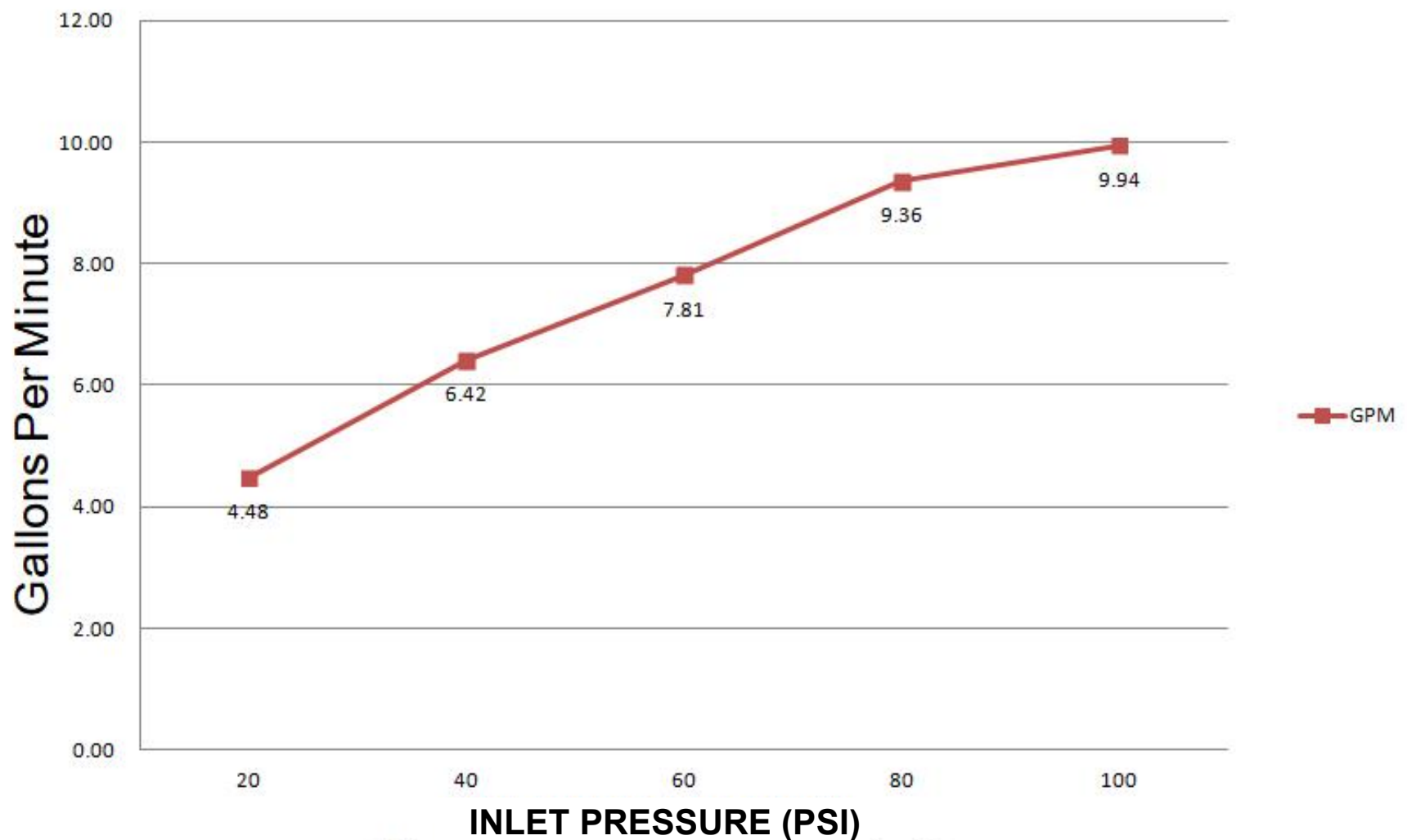
PRODUCT INSTRUCTIONS & QUESTIONS

Prior to installation, we strongly recommend thoroughly inspecting your SUMERAIN product for any potential damage or visible defects caused during shipping. Carefully review the included instructions for proper installation, maintenance, and care procedures. If you have any questions regarding the use, installation, performance, or warranty of your SUMERAIN product, please contact us at +1-866-203-0866 or email supports@sumerain.com. Our customer support team is available to assist with any concerns or inquiries you may have.

FUNCTIONS AND SPECIFICATION

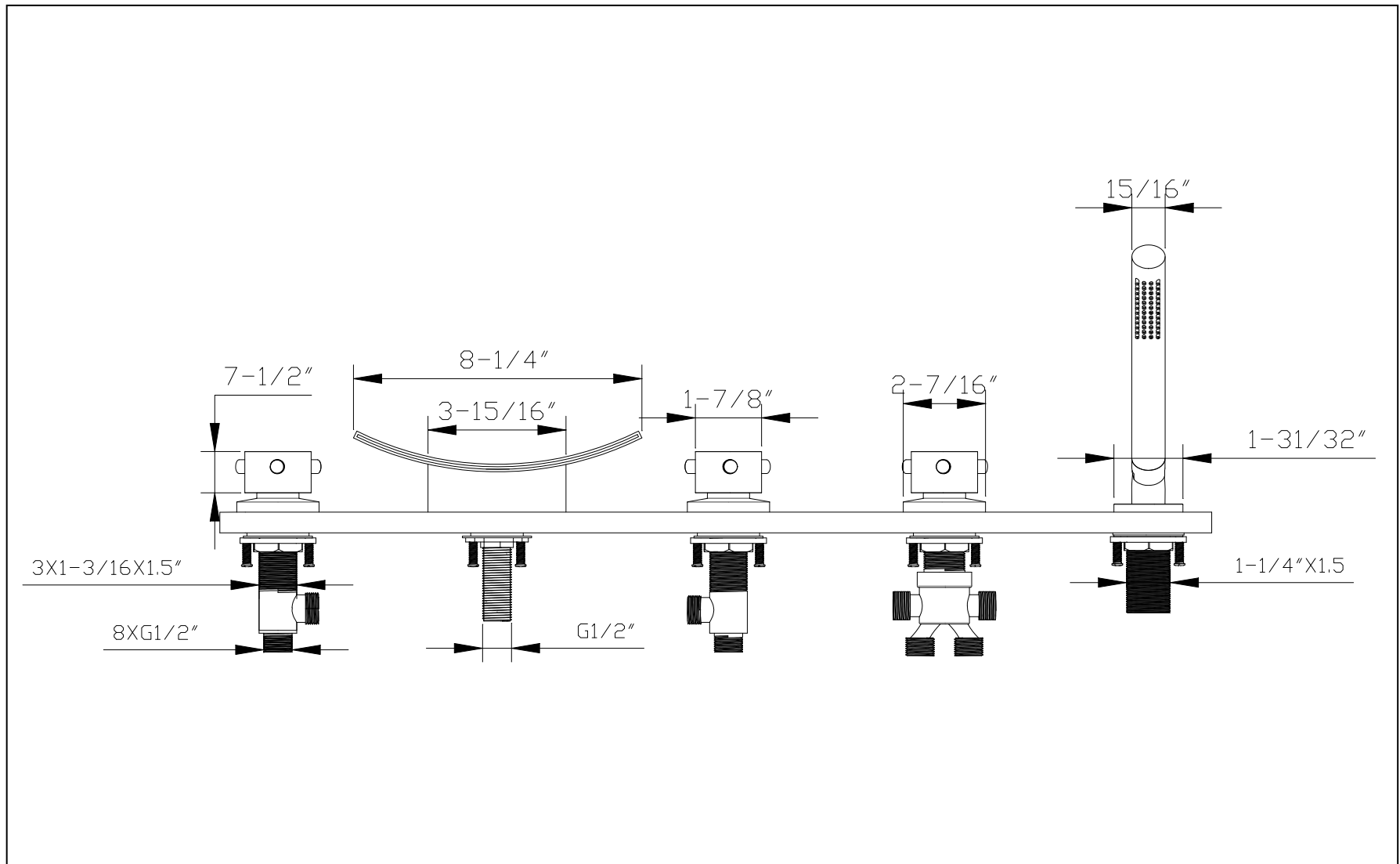
Function	Bathtub Faucets
Feature	Waterfall
Style	Contemporary
Finish	Chrome/Brushed Nickel/Matte Black/ Brushed Gold/ Matte Black & Brushed Gold
Installation Holes	Five Holes
Number of Handles	Three Knobs
Spout Reach	5-1/8 Inch
Spout Width	8-1/4 Inch
Spout Height	2-5/16 Inch
Hand Shower Height	7-1/2 Inch
Max Deck Thickness	1-3/32 Inch
Valve Type	Ceramic Disc Valve
Valve Body Material	Brass
Spout Material	Stainless Steel
Hand Shower Material	Brass
Spout Net Weight	2.38lbs
Net Weight	8.27lbs
Gross Weight	9.72lbs
Working Water Press	29~116PSI
Flow Rate	7.81GPM@60PSI
Packing Box Size	22-5/8"x 10-1/16" x 4-1/2"

TUB SPOUT FLOW RATE

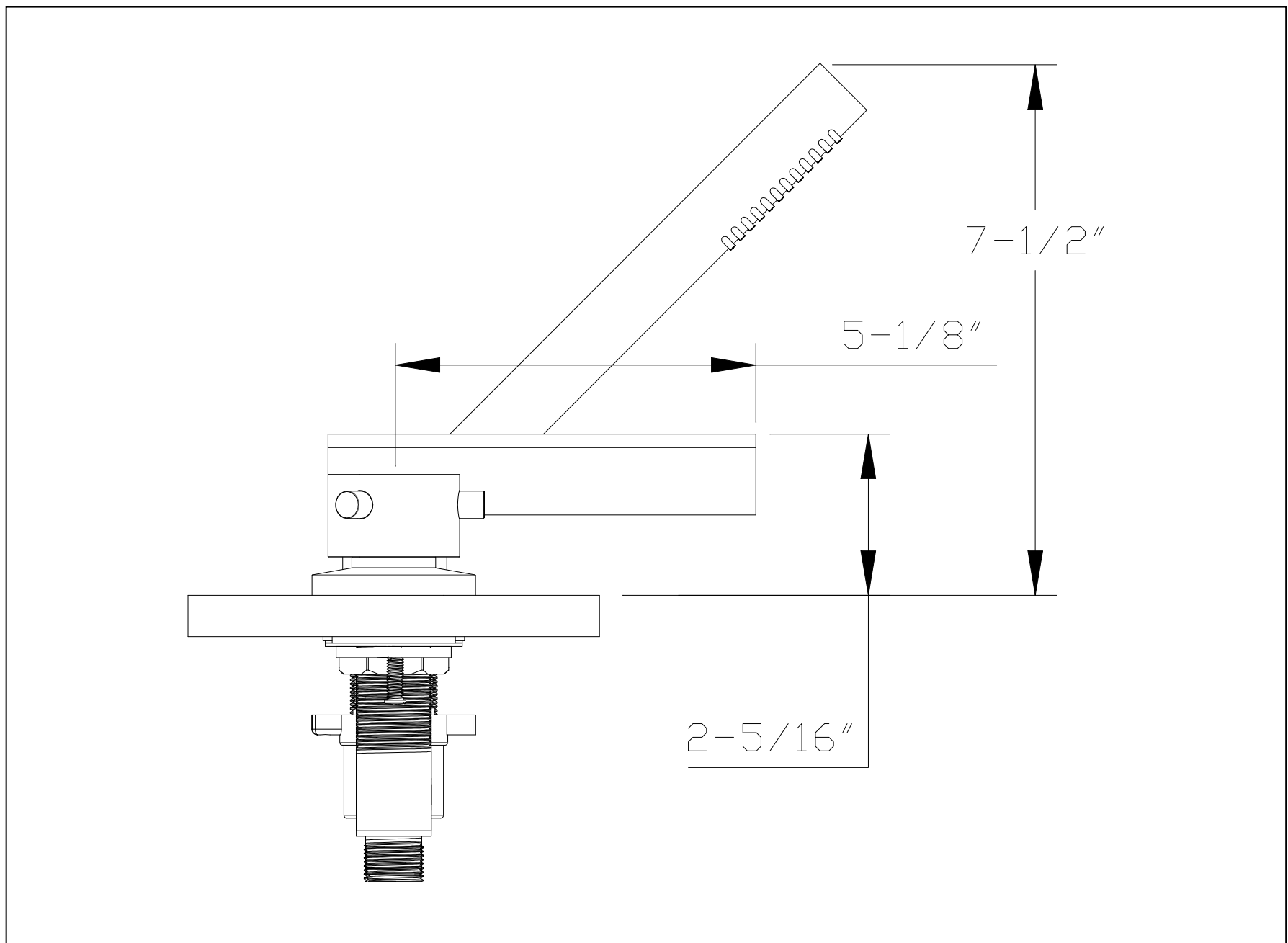


* Flow rates shown are for mixed hot and cold

DIMENSION



Front view of faucet



Side view of faucet

INSTALLATION STEPS

1. BEFORE PROCEEDING



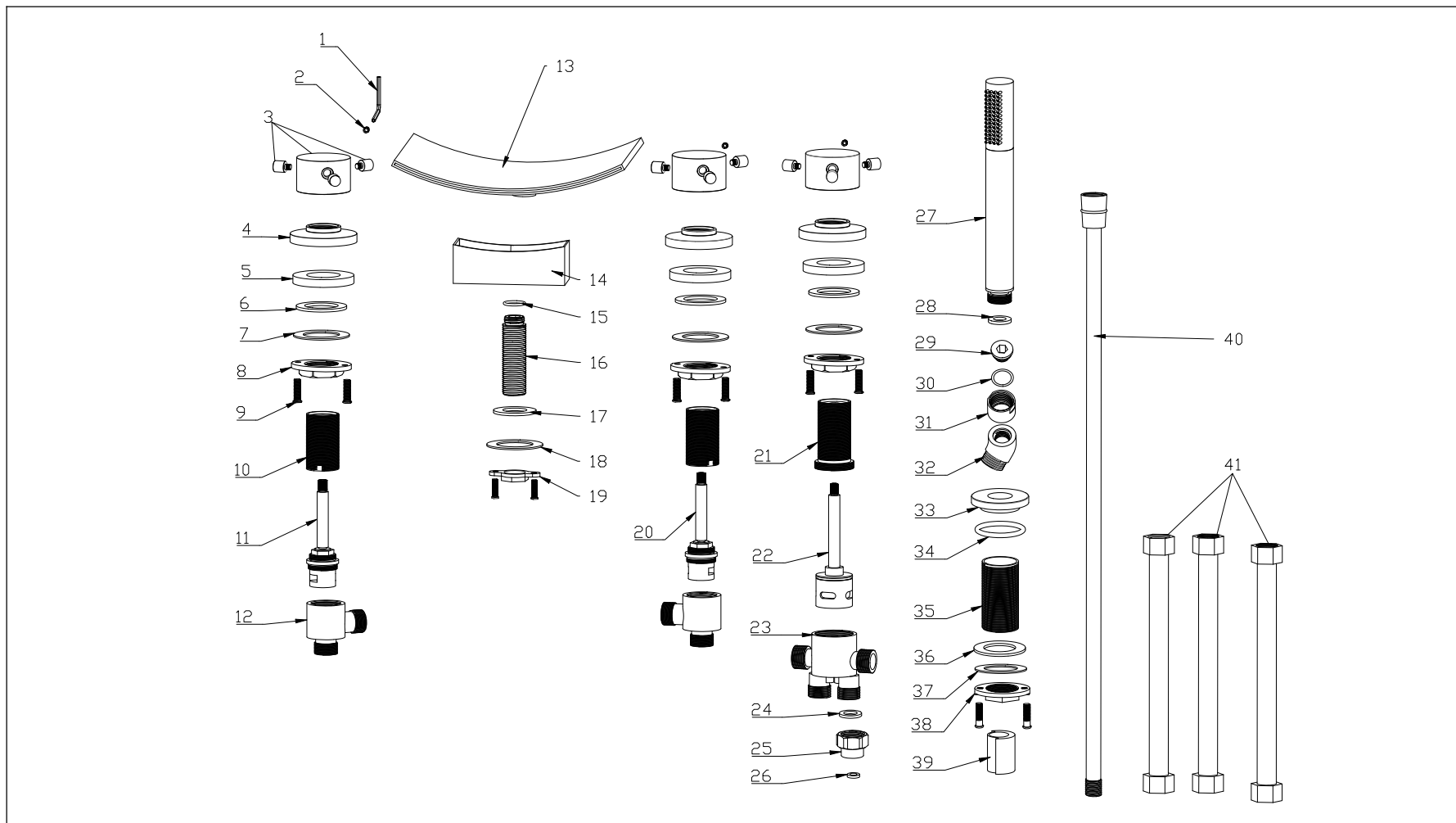
WARNING: Before beginning any installation or operation, read all instructions carefully. If you are unsure about installing this product, consult a licensed professional. This product must be installed in compliance with all applicable local and state plumbing and building codes. Professional assistance is strongly recommended.

2. SHUT OFF WATER SUPPLY

Locate the water supply inlets and turn off the corresponding water supply valves, typically located under the sink or near the water meter. If replacing an existing unit, remove the old unit and thoroughly clean the mounting surface to ensure proper installation.

3. CHECKING THE CONTENTS OF THE BOX

Upon opening the box, verify that all the listed components are included.

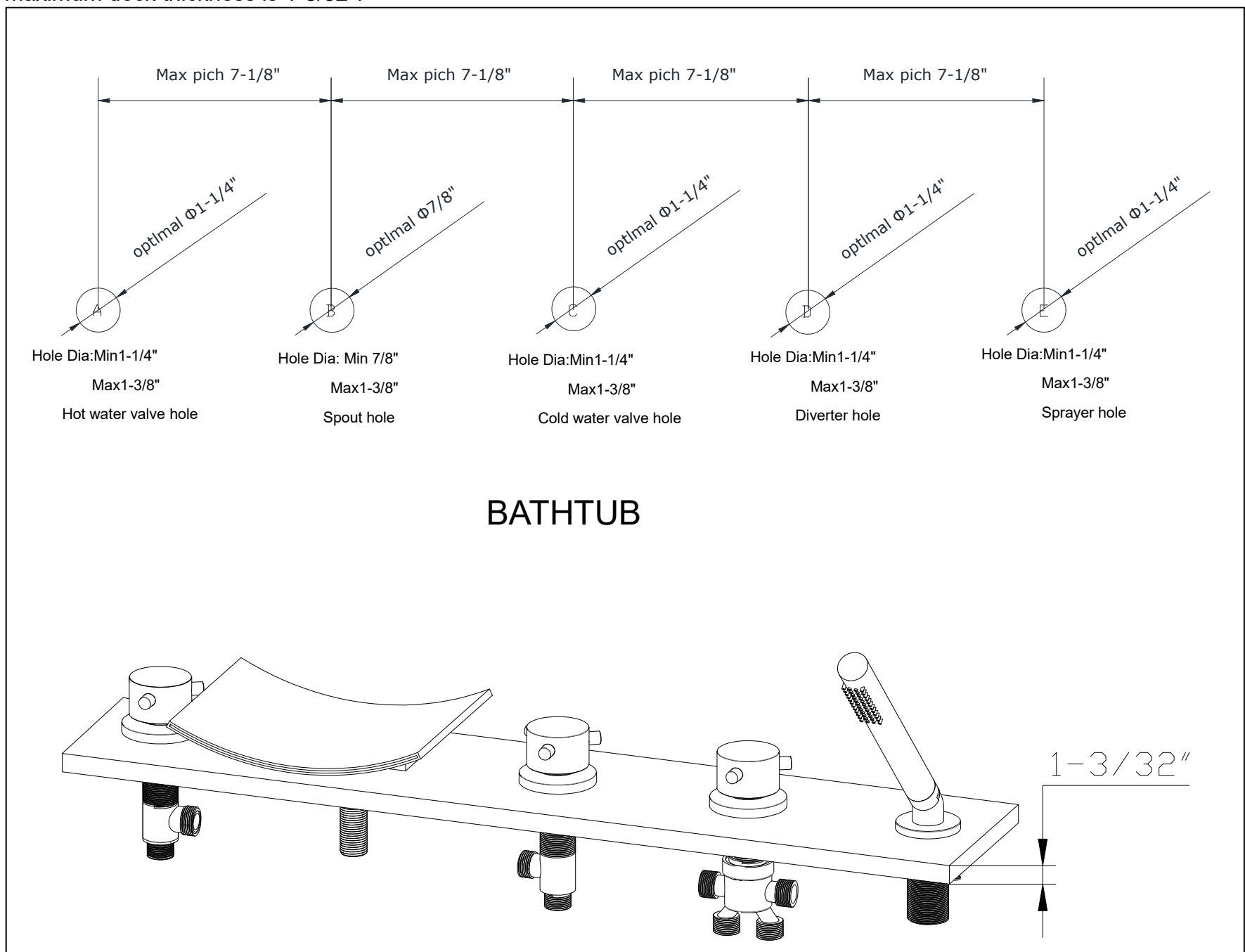


NO.	ITEM NAME	MATERIAL	QTY	PART NO.	NO.	ITEM NAME	MATERIAL	QTY	PART NO.
1	Allen Wrench	Fe45#	1	PSA00003XX	22	Diverter Cartridge	ASSEMBLE	1	PCT33002XX
2	Set Screw	SUS304	3	PSC05050XX	23	Diverter Valve Body	HPB59-1	1	PVB21265PB
3	Knob	Zn Alloy No.3	3	PHD20480XX	24	Rubber Washer	NBR	2	PRW19020XX
4	Escutcheon	Zn Alloy No.3	3	PEC20481XX	25	Nipple Supply	HPB59-1	1	PCN21260XX
5	Foam Pad	foam pad	3	PRW60331XX	26	Rubber Washer	NBR	1	PRW14015XX
6	Rubber Washer	NBR	3	PRW45302XX	27	Handheld Shower	ASSEMBLE	1	PHS32230XX
7	Flat Mat	SUS304	3	PRW45303XX	28	Check Valves	ASSEMBLE	1	PAE00035XX
8	M30x1.5 Lock Nut	HPB59-1	3	PNT00029XX	29	Water Level Fitting	HPB59-1	1	PCN21383XX
9	Set Screw	SUS304	10	PSC00001XX	30	O-Ring	NBR	1	POR16020XX
10	Cartridge Shank	HPB59-1	2	PNT20910XX	31	Elbow Nut	HPB59-1	1	PNT21384XX
11	Hot Disc Cartridge	ASSEMBLE	1	PCT20910XX	32	Shower Hand Adapter	HPB59-1	1	PCN21382XX
12	Hot/Cold Valve Body	HPB59-1	2	PVB20910PB	33	Hand Shower Holder	HPB59-1	1	PHH21380XX
13	Spout	SUS304	1	PSP20480XX	34	O-Ring	NBR	1	POR45030XX
14	Escutcheon	SUS304	1	PEC20480XX	35	Cartridge Shank	SUS304	1	PNT00011XX
15	O-Ring	NBR	1	POR20020XX	36	Rubber Washer	NBR	1	PRW48322XX
16	Spout Shank	HPB59-1	1	PCN20910XX	37	Mounting Gasket	S304	1	PRW50401XX
17	G1/2" Rubber Washer	NBR	1	PRW28222XX	38	Lock Nut	S304	1	PNT00022XX
18	G1/2" Flat Mat	SUS304	1	PRW42232XX	39	Hand Shower Sleeve	POM	1	PSA00012XX
19	G1/2" Lock Nut	HPB59-1	1	PNT00030XX	40	Shower Hose	ASSEMBLE	1	PFH00016XX
20	Cold Disc Cartridge	ASSEMBLE	1	PCT20911XX	41	G1/2" Hose	ASSEMBLE	3	PFH00029XX
21	Diverter Valve Shank	HPB59-1	1	PSC21260PB					

If any of these items are missing, please contact SUMERAIN consumer service by email to: supports@sumerain.com

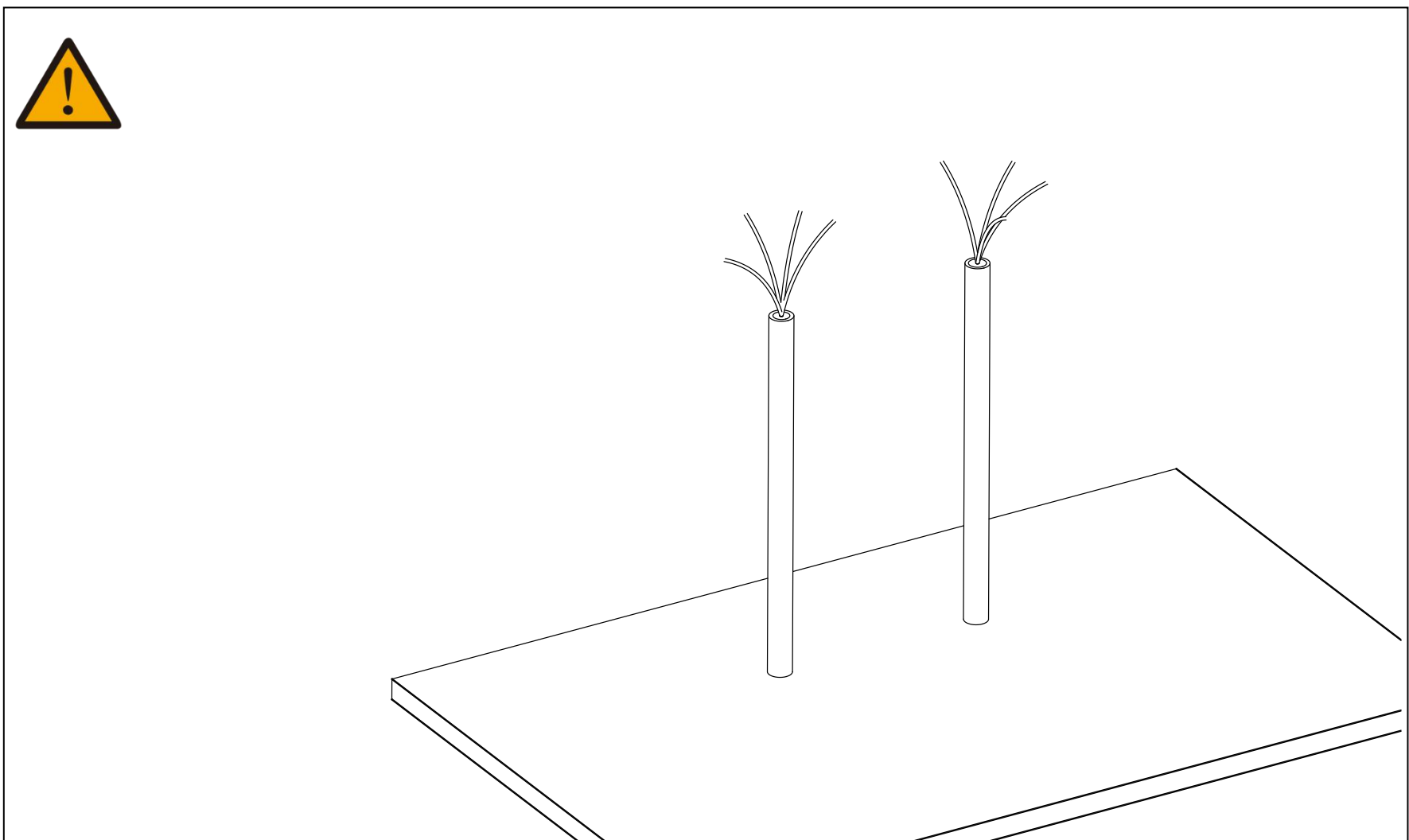
4. INSTALLATION HOLES INSPECTION

Verify that the installation hole sizes and positions are correct. The optimal mounting hole diameter is 1-1/4", and the maximum deck thickness is 1-3/32".

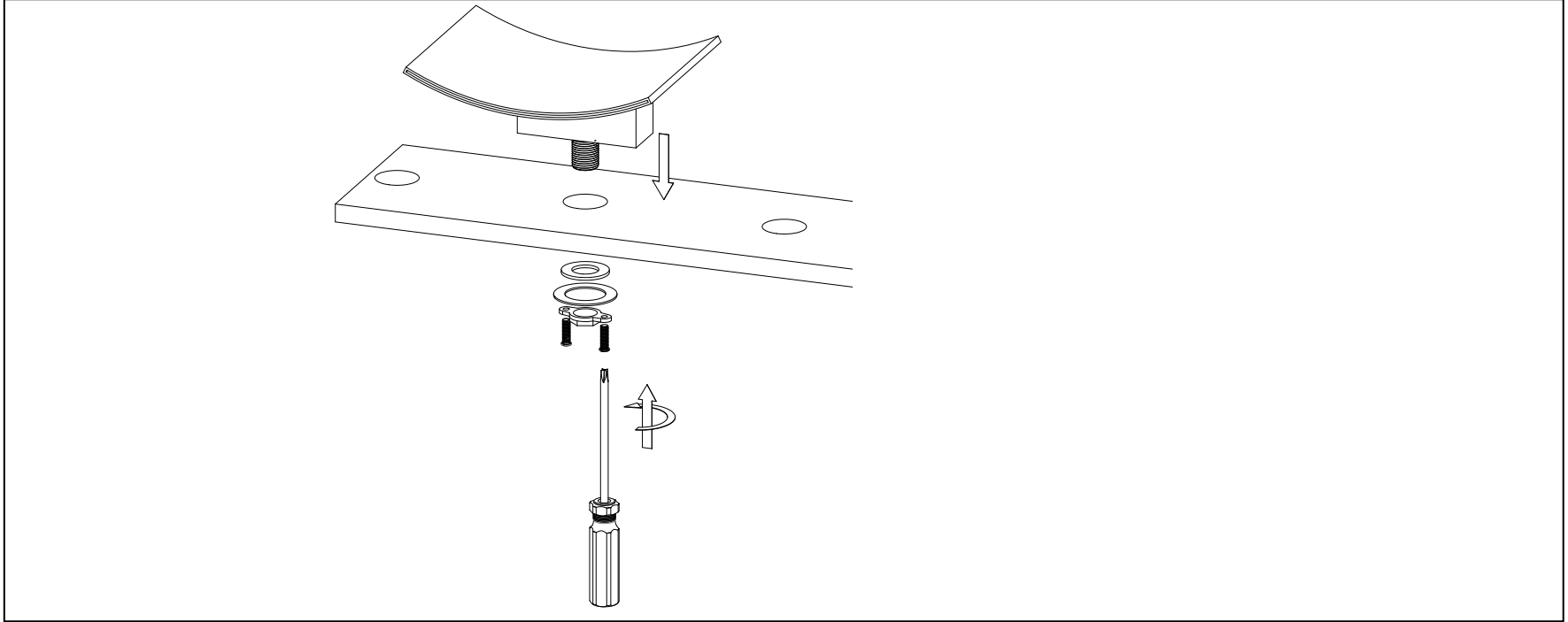


5. INSTALLATION

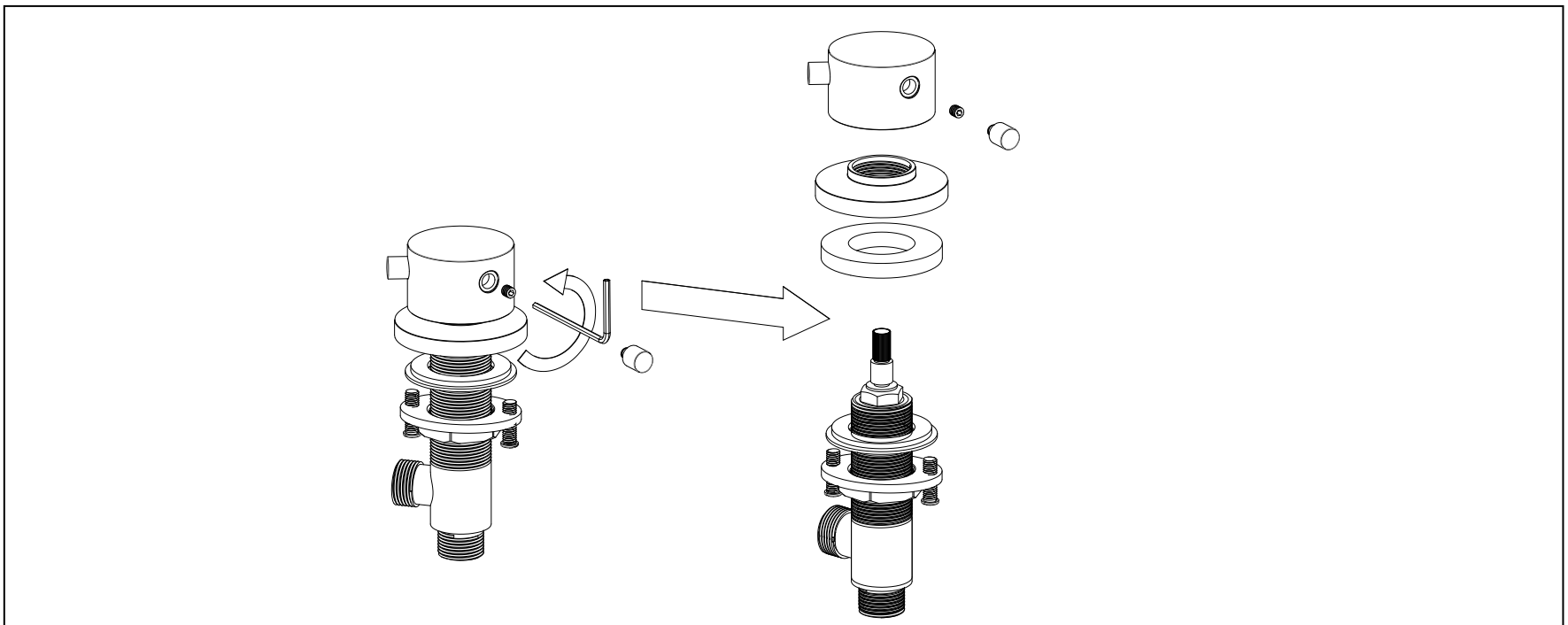
5.1 Turn on the shut-off valve to flush the hot and cold water supply pipes before connecting them to the faucet. Allow the water to run for 3–5 minutes to clear out dirt and debris. Turn off the water supply again once finished.



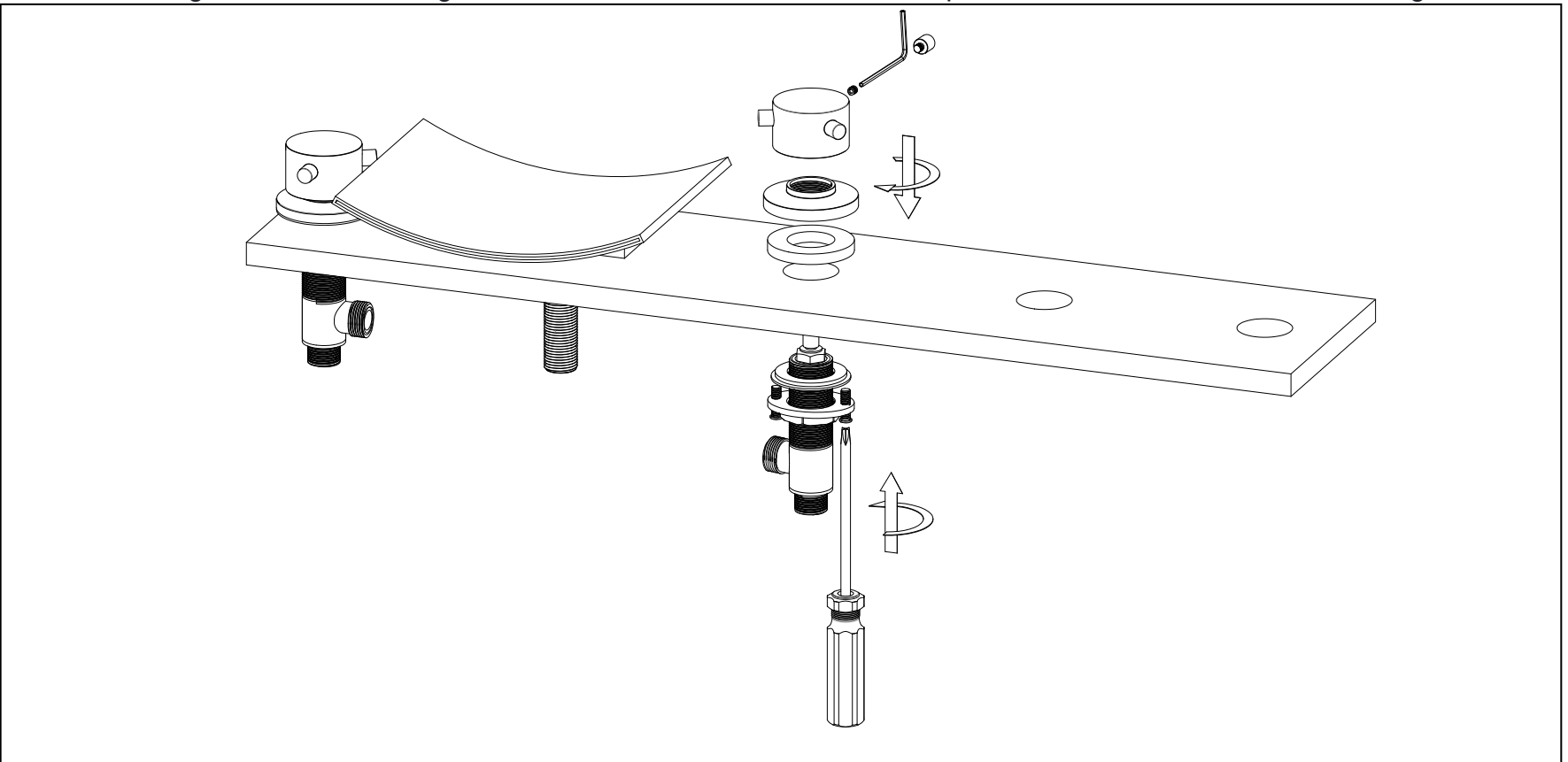
5.2 Position the spout over the mounting hole, attach the rubber washer and metal gasket to the spout shank, and tighten the lock nut from underneath using a screwdriver.



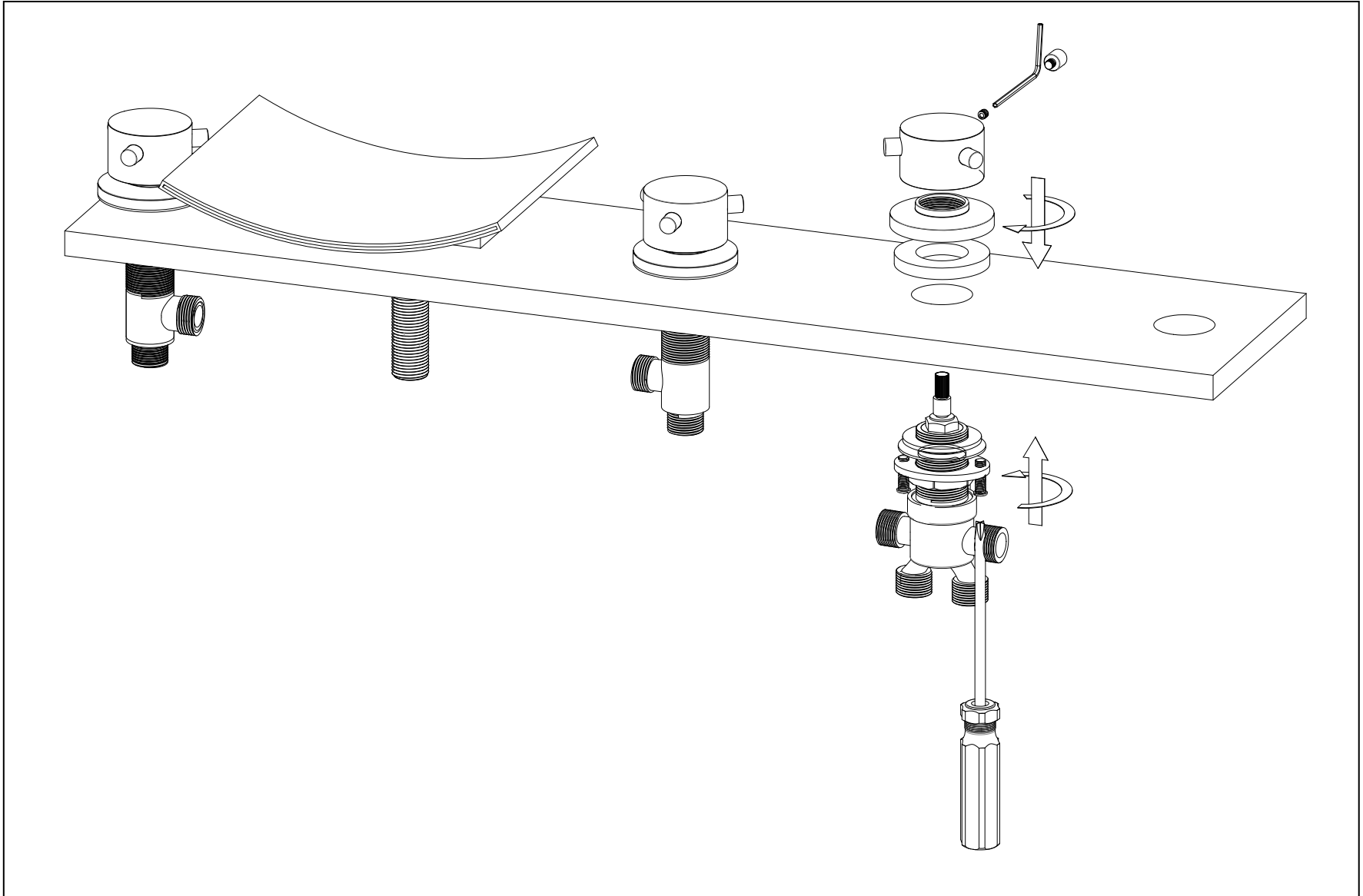
5.3 Disassemble the hot and cold valve assembly for the next installation step. Remove the knob's screw cover, use an Allen wrench to loosen the set screw by turning counterclockwise, and remove the knob and escutcheon with the foam gasket from the valve assembly.



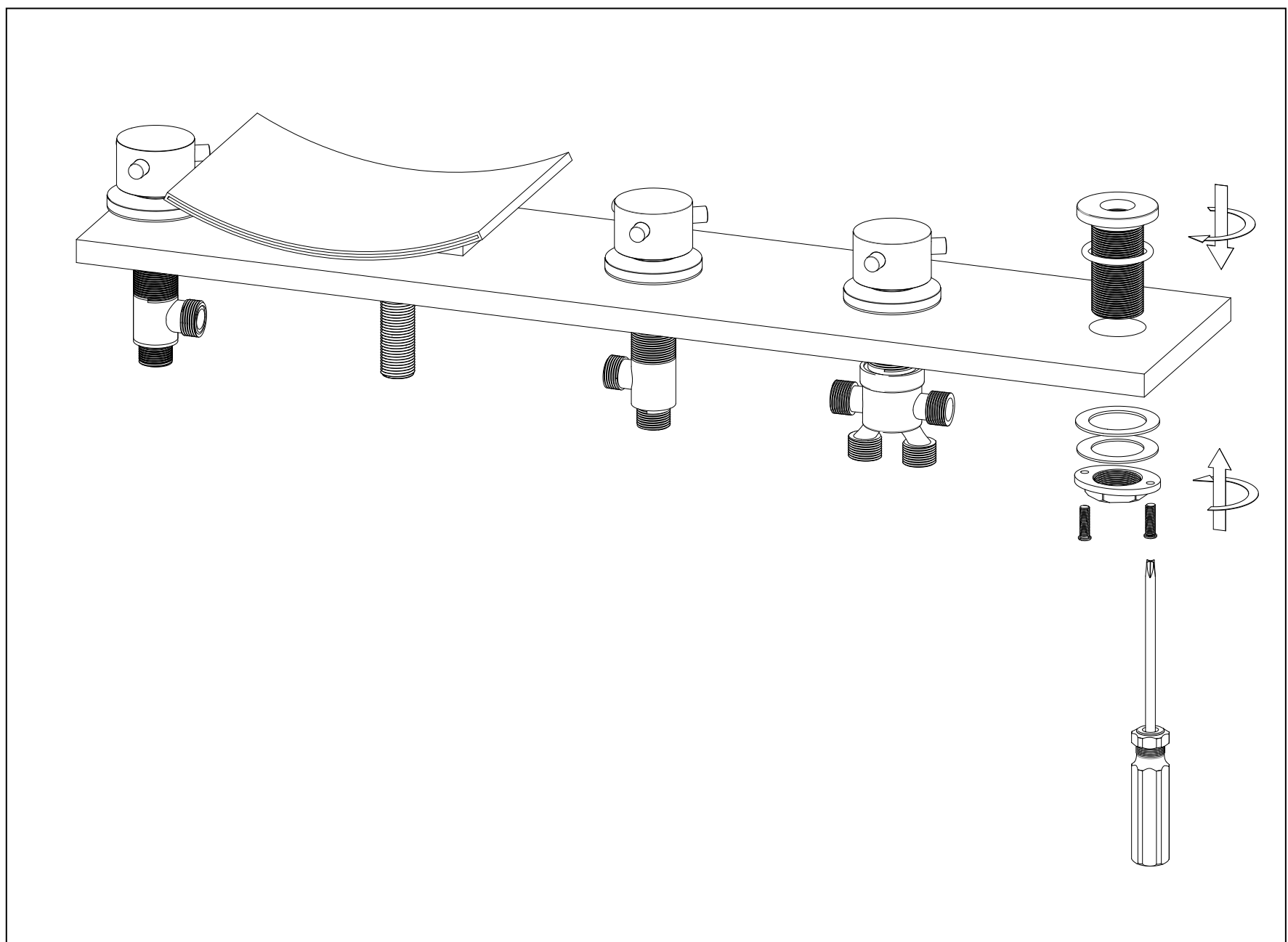
5.4 Position the valve body, including the rubber washer, metal washer, and lock nut, beneath the mounting surface. From above, thread the trim cover with the foam washer and knob onto the valve body to secure it in place. Adjust the trim cover to the desired height if needed, and tighten the lock nut with a screwdriver. Repeat for the cold water valve on the right.



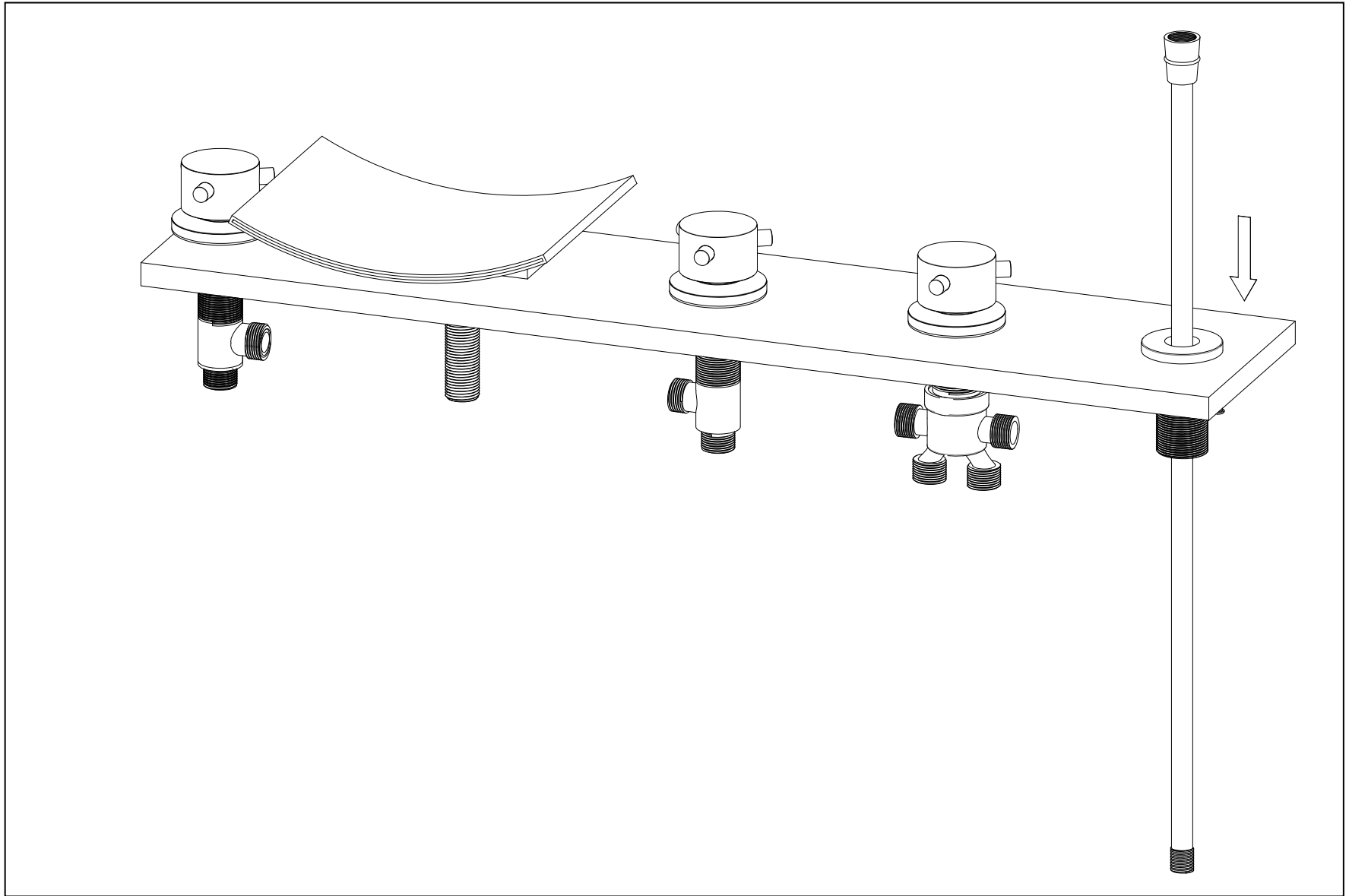
5.5 Install the diverter valve beneath the mounting surface. From above, secure the valve body by tightening the escutcheon and handle. Adjust the escutcheon height if needed, and tighten the nut with a screwdriver.



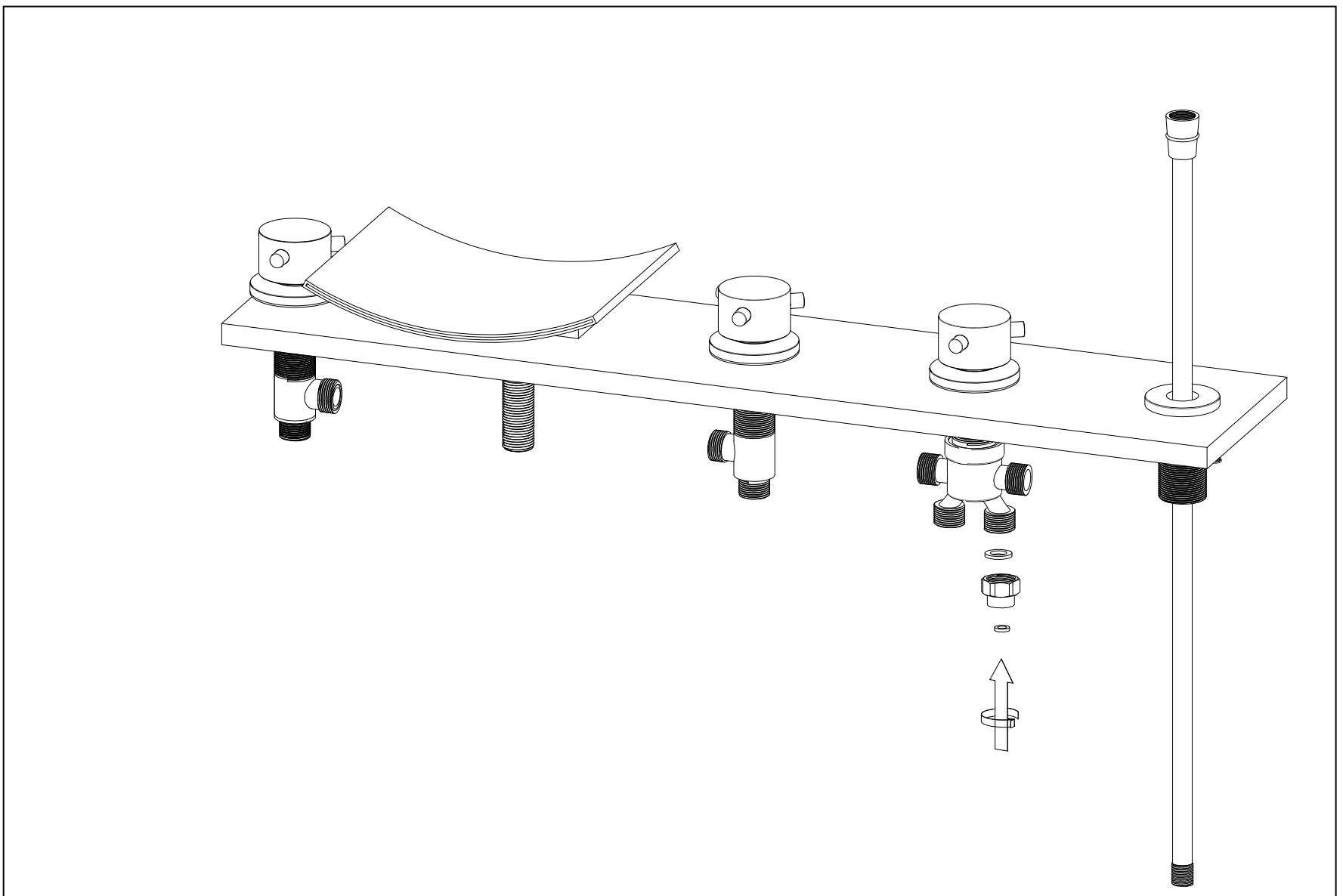
5.6 Position the assembly, including the rubber washer, metal washer, and lock nut, beneath the mounting surface. Secure the escutcheon with the foam washer from above. Tighten the nut with a screwdriver.



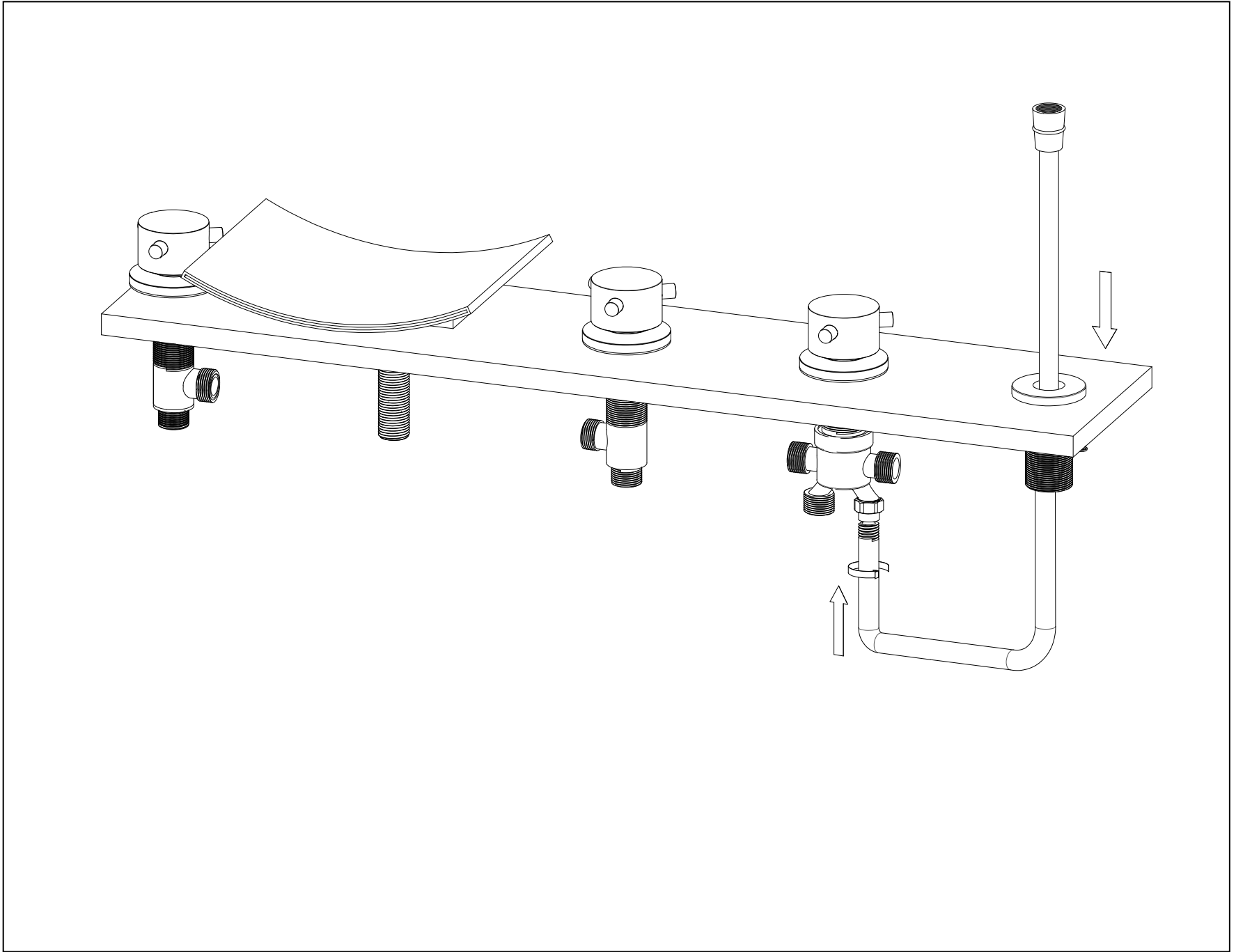
5.7 Thread the shower hose through the center hole of the hand shower holder as shown in the diagram below.



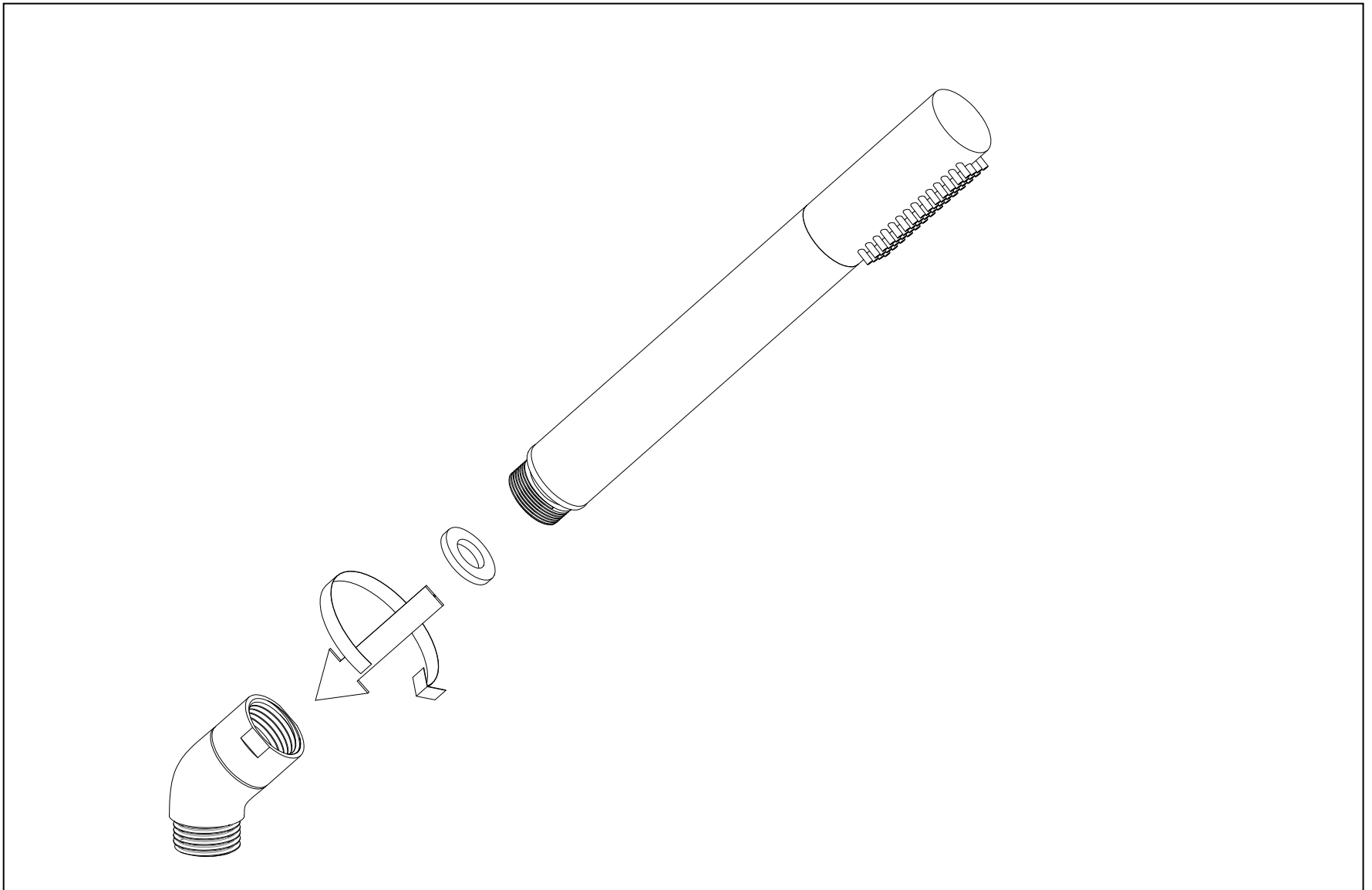
5.8 Position the adapter below the diverter valve and secure it in place.



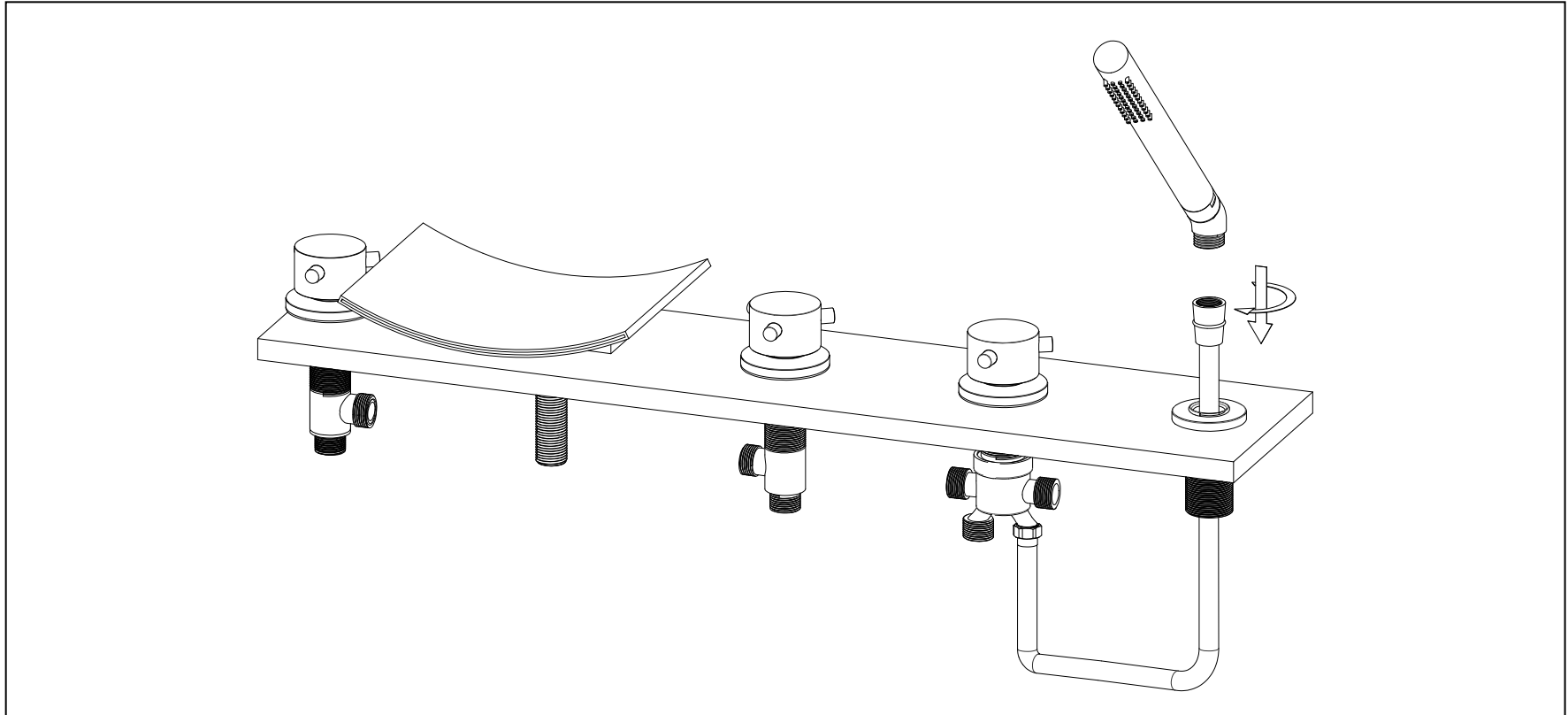
5.9 Attach the shower hose to the diverter valve securely.



5.10 Attach the handheld shower to the shower adapter.



5.11 Connect the hand shower to the shower hose connector securely.



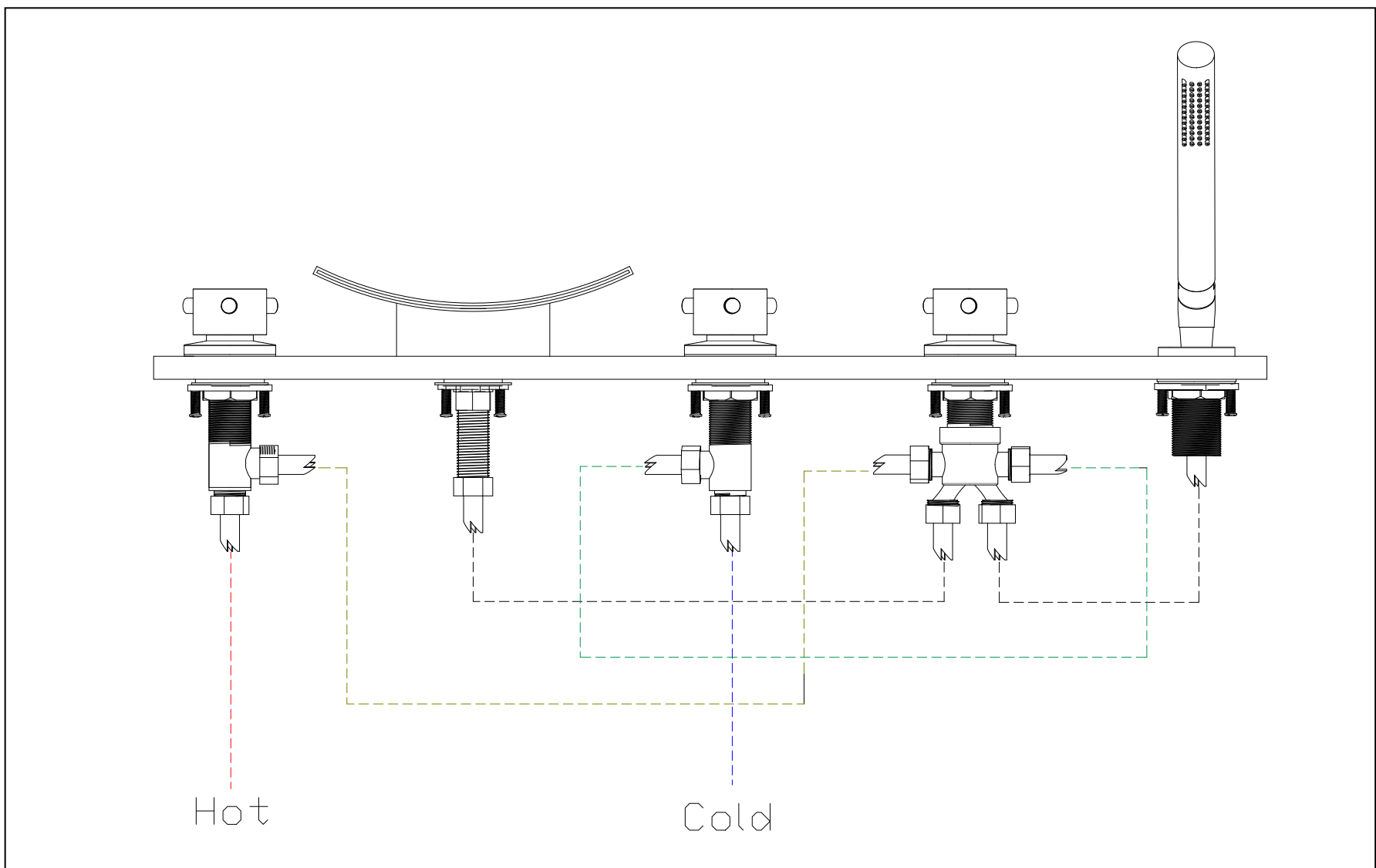
5.12 Connect all components using flexible hoses as described below.

5.12.1 Connect the cold valve's outlet connector to one of the diverter's inlet connectors using a G1/2-inch hose.

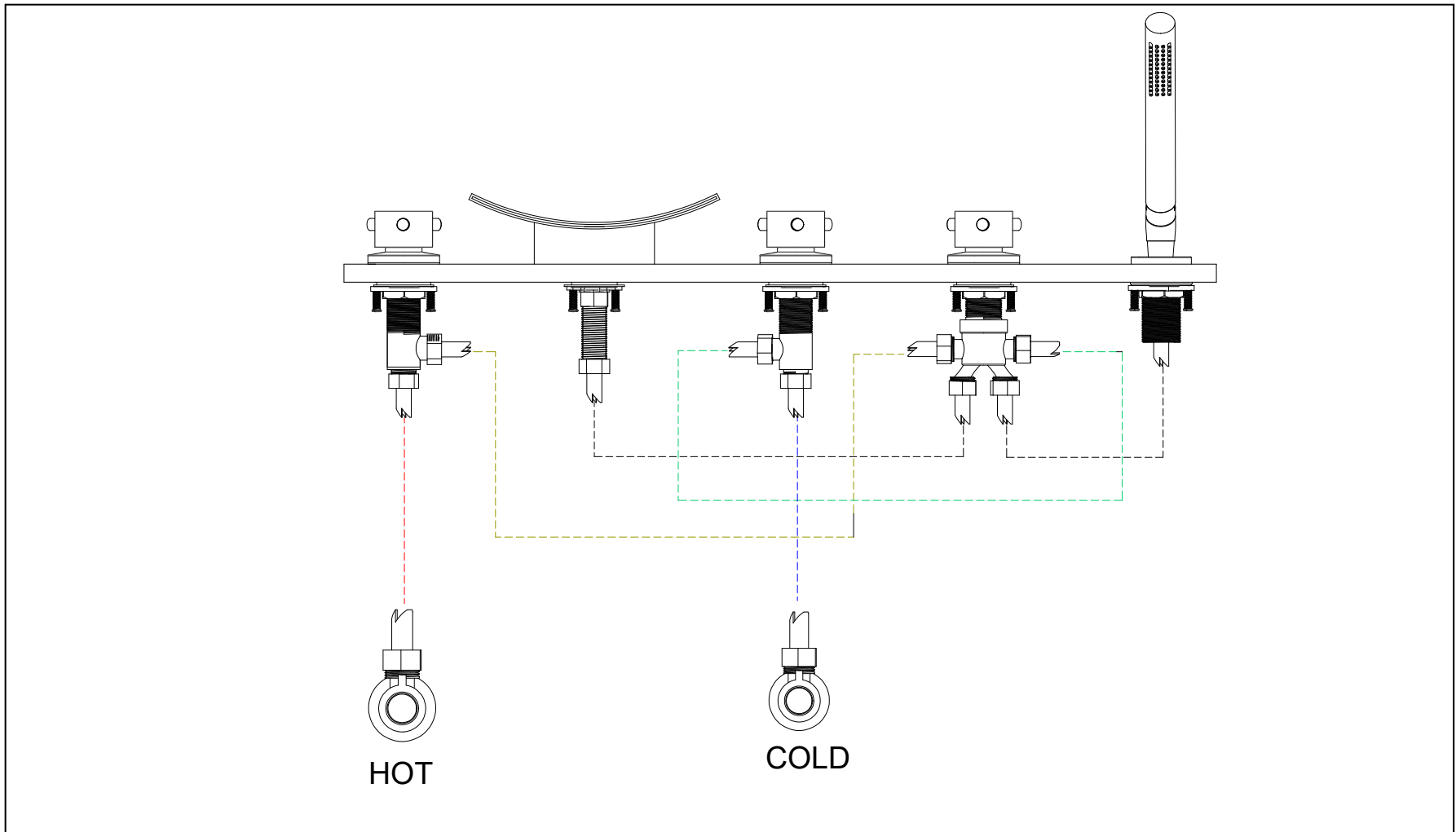
5.12.1 Connect the hot valve's outlet connector to the diverter's other inlet connector using another G1/2-inch hose.

5.12.3 Connect the spout's water inlet connector to one of the diverter's outlet connectors using a G1/2" hose.

5.12.4 Connect the shower hose's water inlet connector to the diverter's other outlet connector.



5.13 Connect the hot valve body's inlet connector and the cold valve body's inlet connector to the stop valves separately using flexible hoses. The hot and cold valve bodies have G1/2-inch [1/2 BSPP] inlet connections. Customers in the US and Canada may require an NPT-to-BSPP adapter for proper installation.



6. INSPECTION

6.1 Turn on the hot and cold water supplies and check all connections to ensure there are no leaks.

INSTALLATION COMPLETED

CLEANING RECOMMENDATION FOR SUMERAIN PRODUCTS

Modern lavatory faucets, kitchen faucets, and showers are crafted from a variety of materials to meet the market's demands for both design and functionality. To prevent damage and reduce the likelihood of returns, it is essential to follow the recommended cleaning guidelines.

Cleaning Materials for faucets & showers

When cleaning faucets and showers, it is essential to follow these professional guidelines:

- Use acidic cleaning agents specifically formulated for lime removal.
- Only use cleaning products designed for this purpose to avoid damage.
- Do not use cleaning agents containing hydrochloric, formic, phosphoric, or acetic acid, as these can cause severe damage to the surface.
- Never mix different cleaning agents, as this may lead to harmful chemical reactions.
- Avoid abrasive cleaning products or tools, such as unsuitable cleaning powders, rough sponge pads, or microfiber cloths that could harm the finish.

Cleaning instructions for faucets & showers

Please follow the cleaning material manufacturer's instructions carefully. Additionally, observe the following guidelines to maintain your faucets and showers:

- Clean faucets and showers regularly as needed to preserve their optimal function and appearance.
- Use the recommended amount of cleaning product and apply it for the specified duration. Avoid leaving the cleaner on the surface longer than necessary to prevent potential damage.
- Regular cleaning helps prevent calcification. For scale deposits on faucet surfaces or spouts, use a commercial descaler such as Lime-Away® or CLR®.
- If rust forms due to hard water, gently remove it by rubbing the affected area with aluminum foil soaked in water until smooth. Then, apply a small amount of chrome polish or an appropriate product like automotive wax (e.g., Meguiar's® or Turtle Wax®) to restore the finish.
- Solid stainless steel faucets and spouts, especially waterfall designs, usually lack a protective coating. While stainless steel resists tarnishing, it can oxidize over time. Keep stainless steel fixtures clean and dry, and use a stainless steel-specific cleaner such as Weiman® or CLR® for proper maintenance.
- When using spray cleaners, apply the product to a soft cloth or sponge first instead of spraying it directly onto the faucet. This prevents water droplets from entering the faucet openings and causing damage.
- After cleaning, rinse all surfaces thoroughly with clean water to remove any cleaner residue.

Important

Residues from liquid soap, shampoo, and shower gel can contribute to surface damage over time. To prevent this, thoroughly rinse these substances off with clean water after each use.



Note: If the surface is already damaged, using cleaning materials may worsen the damage.

Components with damaged surfaces must be replaced to prevent potential injury.

Please note that any damage caused by improper use, maintenance, or cleaning is not covered under the warranty.



SUMERAIN INTERNATIONAL GROUP INC

Address: 1226 NORTH KING ST NUM 522

WILMINGTON, DE 19801

United States

Tel: +1(866)203-0866

Web: <http://www.sumerain.com>

E-mail: supports@sumerain.us

HONGKONG SUMERAIN SANITARY INDUSTRY CO., LIMITED

Address: FLAT/RM 3B 3/F BANK TOWER

NOS.351&353 KING'S ROAD

NORTH POINT

HK

Tel: +86-750-2731579

E-mail: supports@sumerain.com

SUMERAIN EUROPE SUPPORT

Address: Flottwellstr.15

10785 Berlin,

Deutschland

Tel: +49 (0)30/23975898

E-mail: de@sumerain.com