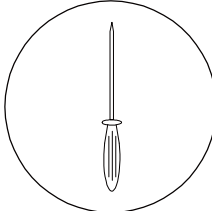
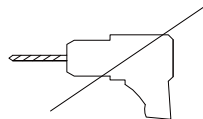
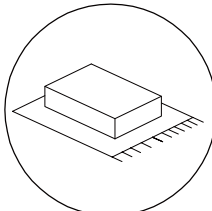
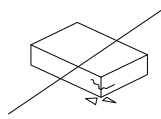


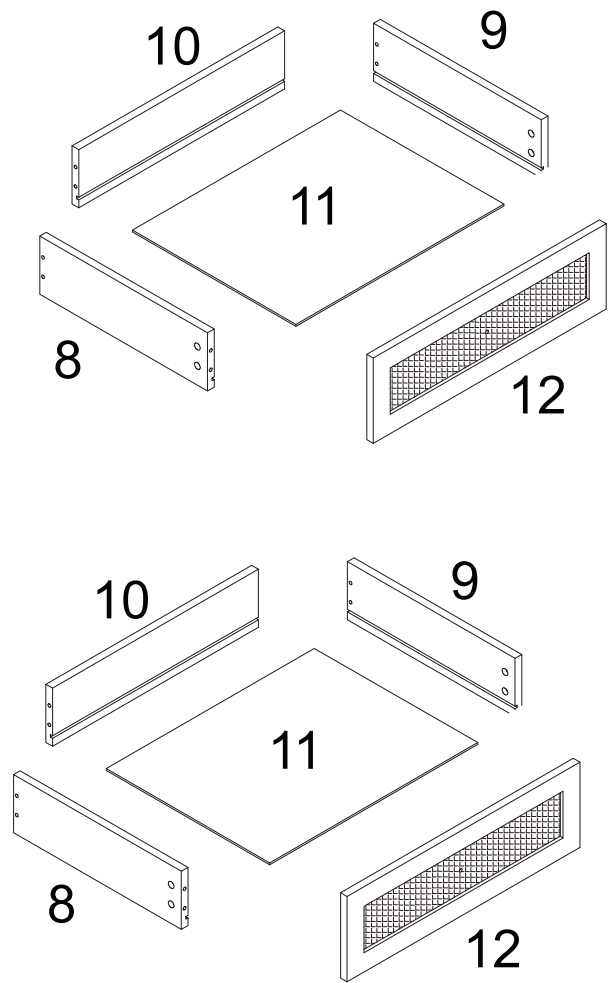
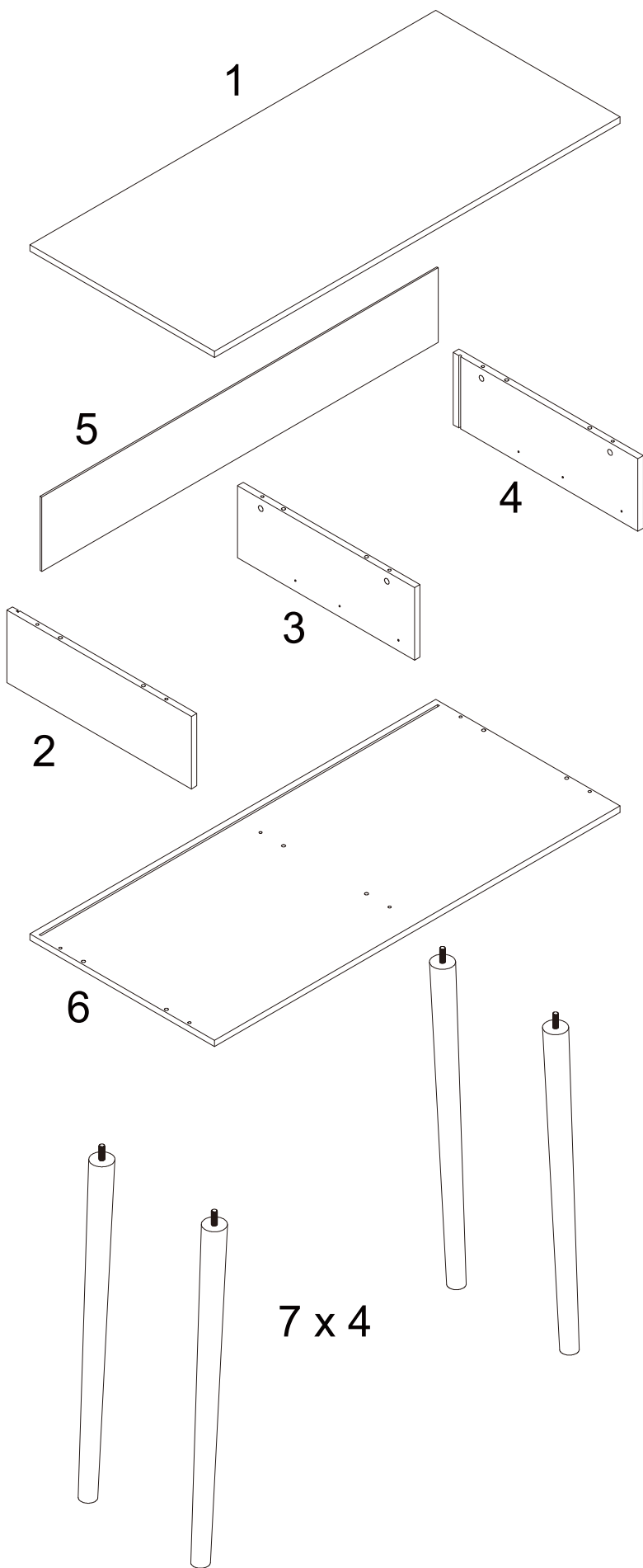
!   !

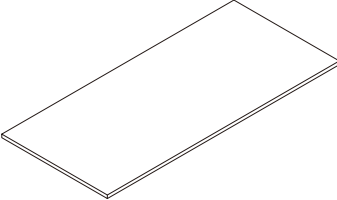
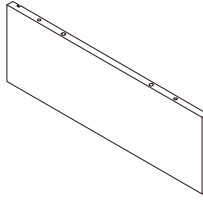
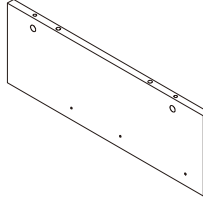
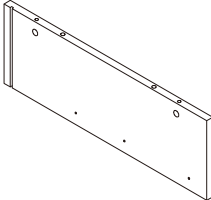
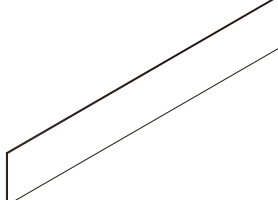
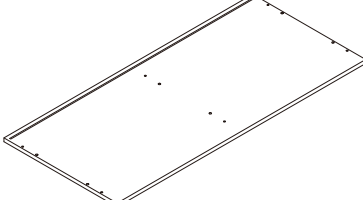

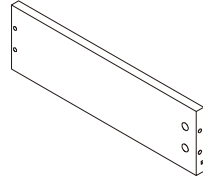
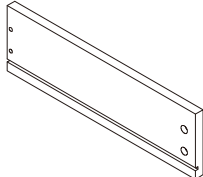
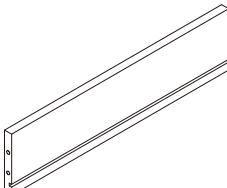
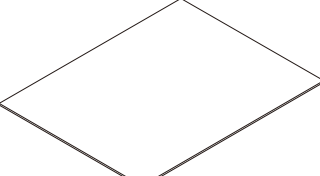
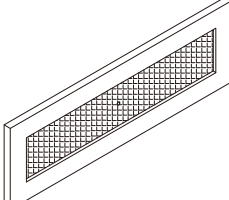
40'


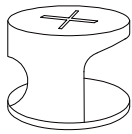



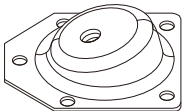



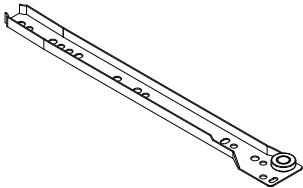
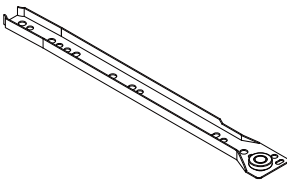
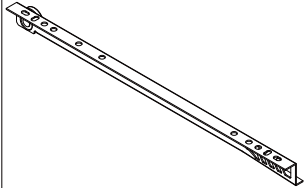
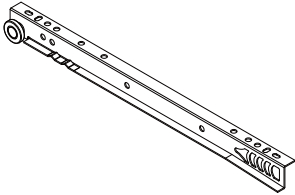
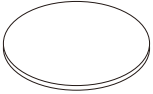

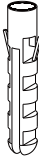
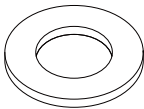

!   !

2

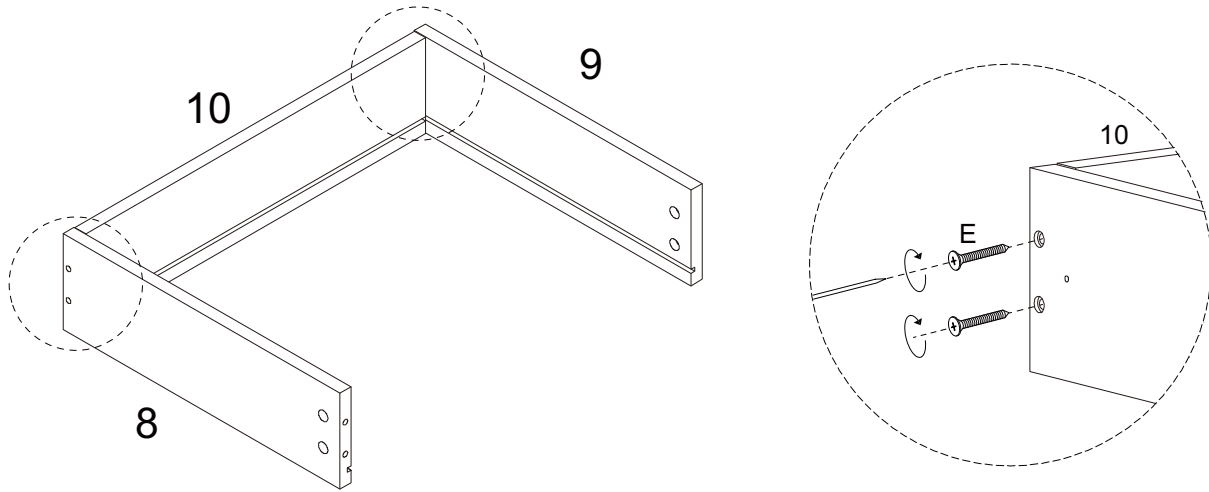
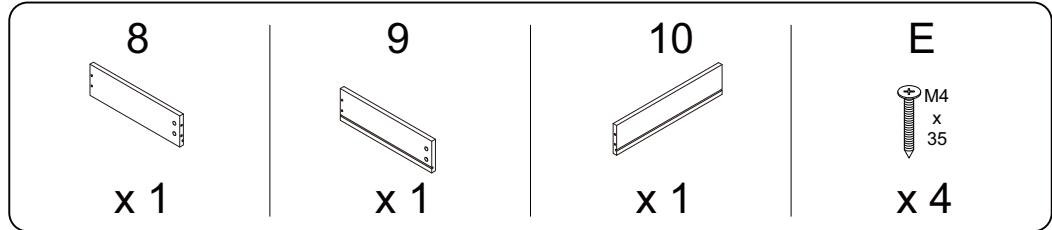
This section contains two rows of icons. The top row shows a screwdriver in a circle and a drill with a diagonal slash through it, with a warning triangle to the right. Below this is a clock icon and the number '40'. The bottom row shows a block on a mat in a circle and a block with a diagonal slash through it, with a warning triangle to the right. Below this is a person icon and the number '2'.



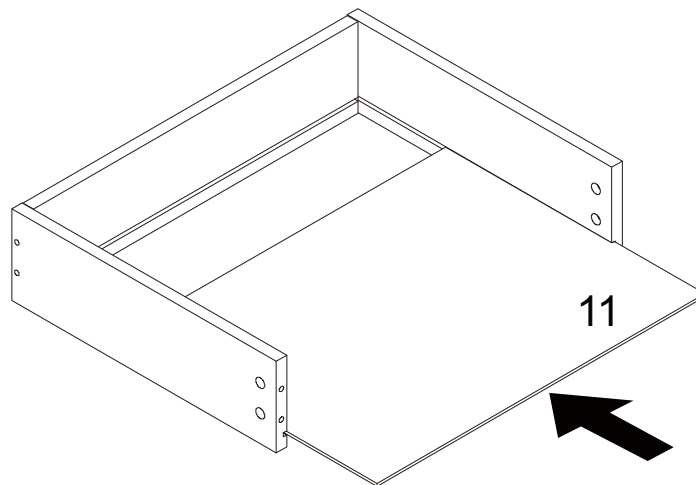
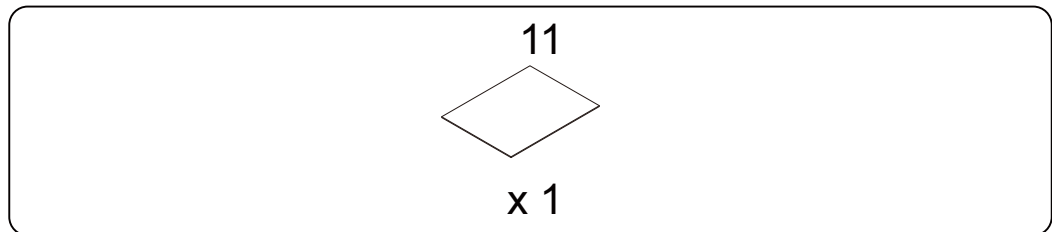
<p>1</p>  <p>x 1</p>	<p>2</p>  <p>x 1</p>	<p>3</p>  <p>x 1</p>
<p>4</p>  <p>x 1</p>	<p>5</p>  <p>x 1</p>	<p>6</p>  <p>x 1</p>
<p>7</p>  <p>x 4</p>	<p>8</p>  <p>x 2</p>	<p>9</p>  <p>x 2</p>
<p>10</p>  <p>x 2</p>	<p>11</p>  <p>x 2</p>	<p>12</p>  <p>x 2</p>

<p>A</p>  <p>x 14</p>	<p>B</p>  <p>x 14</p>	<p>C</p>  <p>x 12</p>	<p>D</p>  <p>M4 x 14</p> <p>x 20</p>
<p>E</p>  <p>M4 x 35</p> <p>x 16</p>	<p>F</p>  <p>x 4</p>	<p>G</p>  <p>M4 x 12</p> <p>x 2</p>	<p>H</p>  <p>x 2</p>
<p>I</p>  <p>M3 x 12</p> <p>x 24</p>	<p>CL</p>  <p>x 2</p>	<p>CR</p>  <p>x 2</p>	<p>DL</p>  <p>x 2</p>
<p>DR</p>  <p>x 2</p>	<p>N</p>  <p>x 4</p>	<p>O</p>  <p>M4 x 12</p> <p>x 2</p>	<p>P</p>  <p>x 2</p>
<p>Q</p>  <p>x 4</p>		<p>R</p>  <p>x 2</p>	

1 x 2

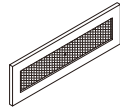


2 x 2



3 x 2

12

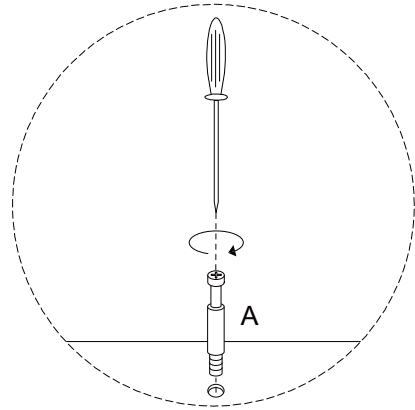
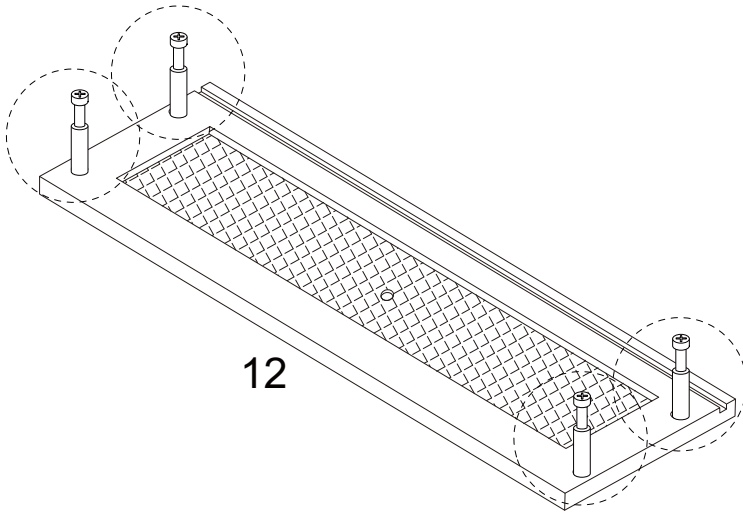


x 1

A



x 4

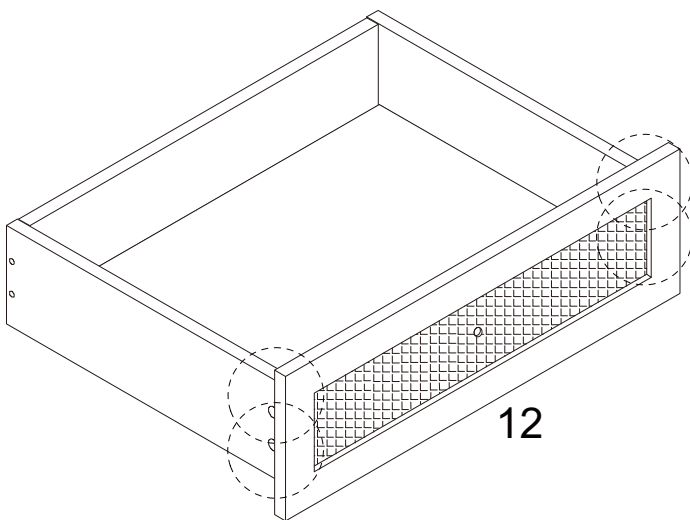


4 x 2

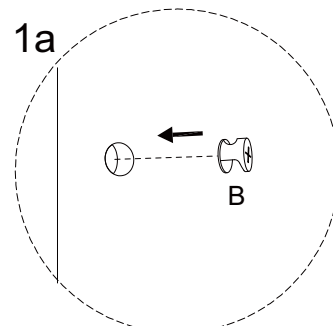
B



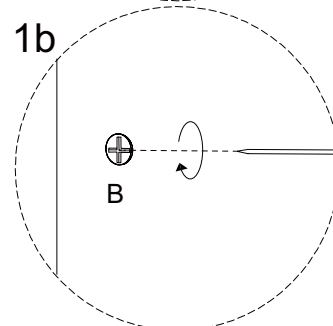
x 4



1a



1b



5 x 2

G

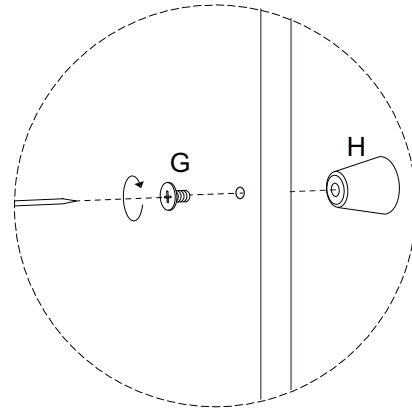
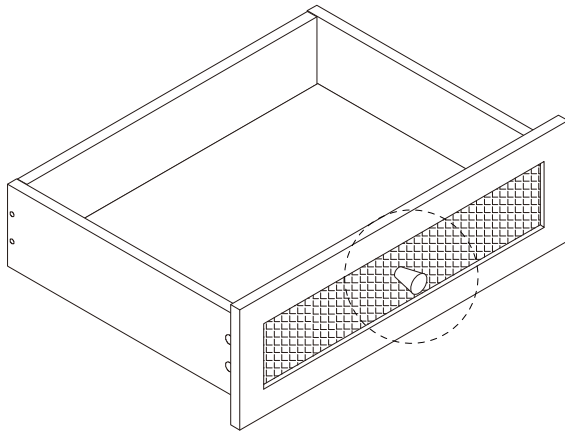


x 1

H



x 1



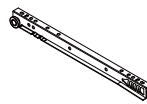
6 x 2

I



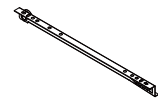
x 6

DR

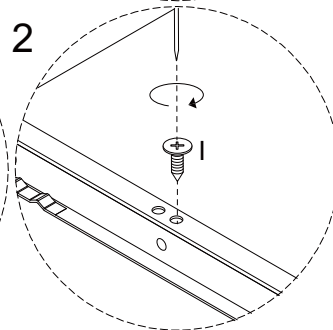
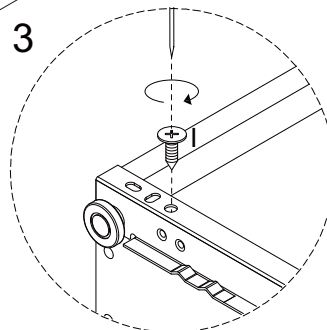
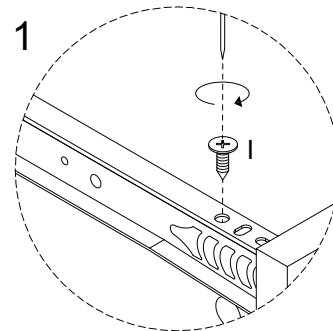
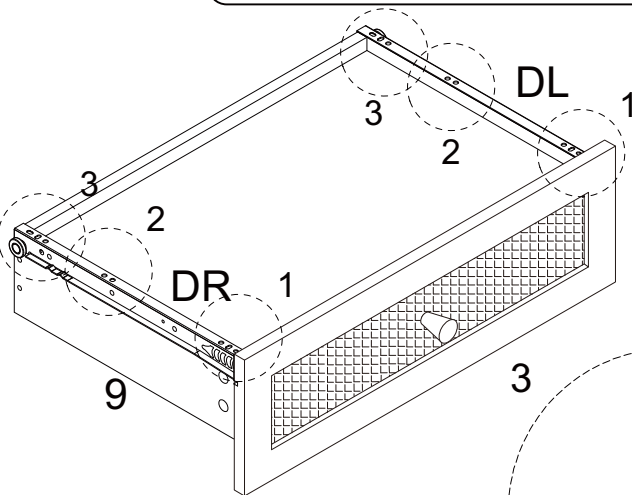


x 1

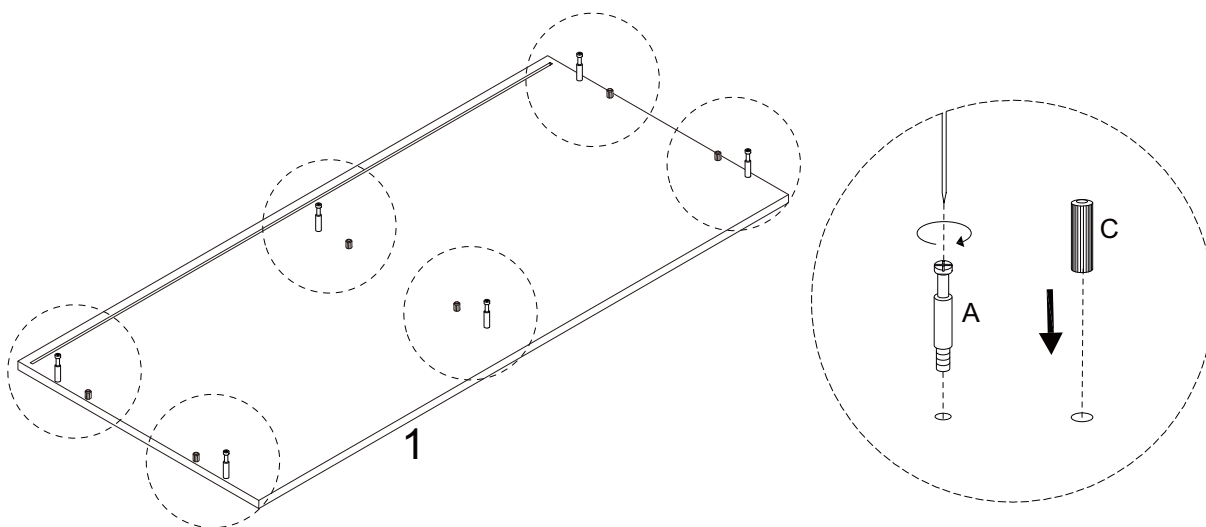
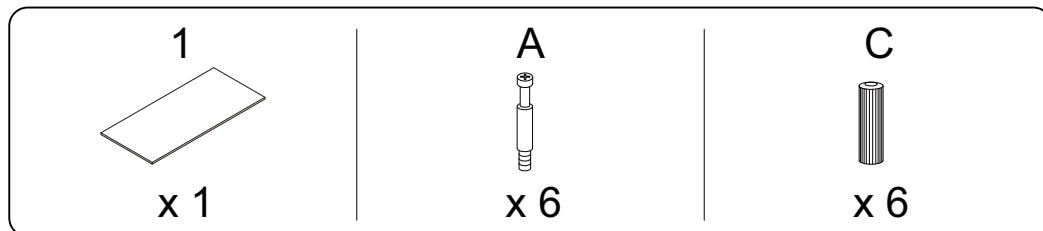
DL



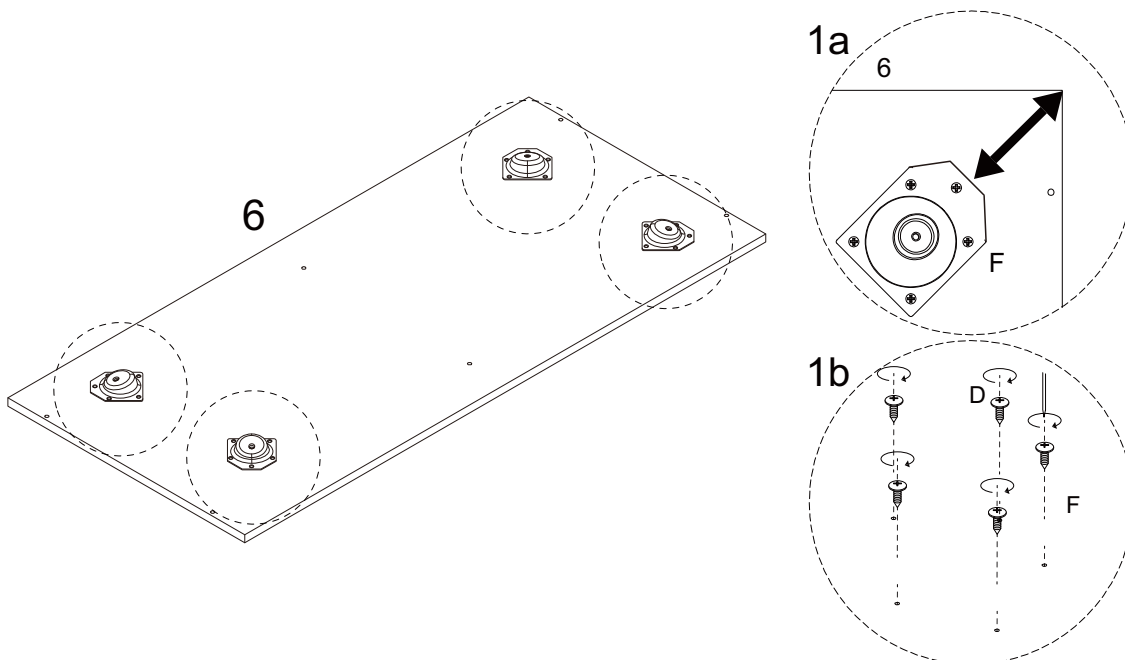
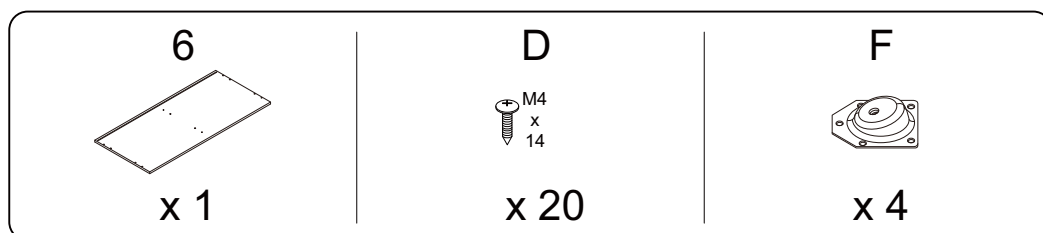
x 1



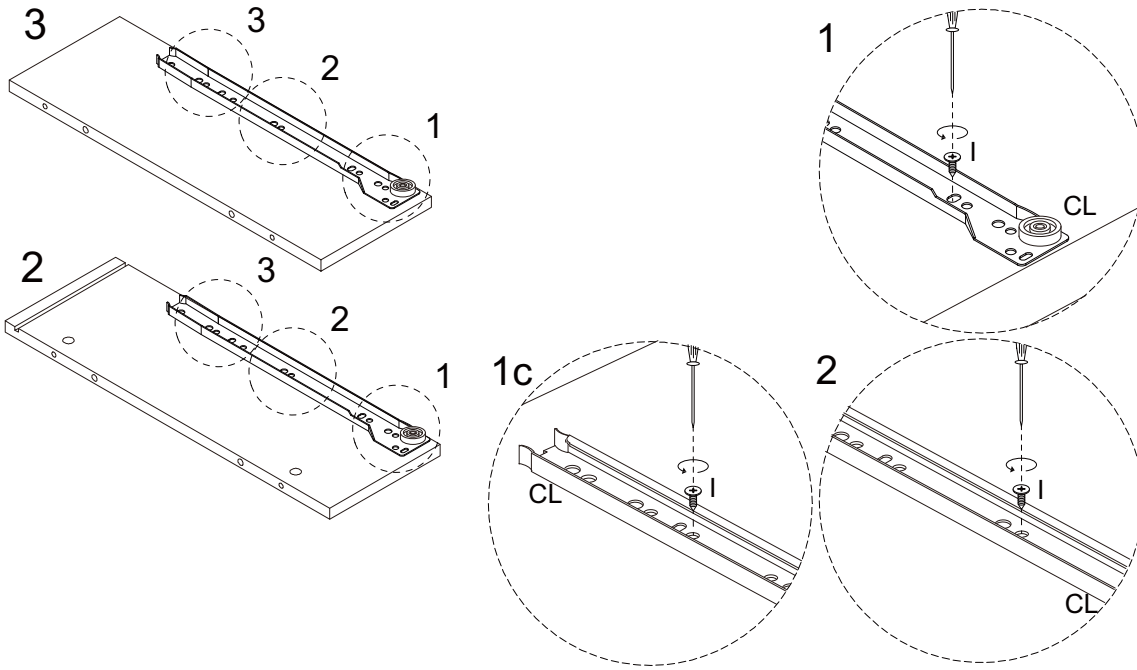
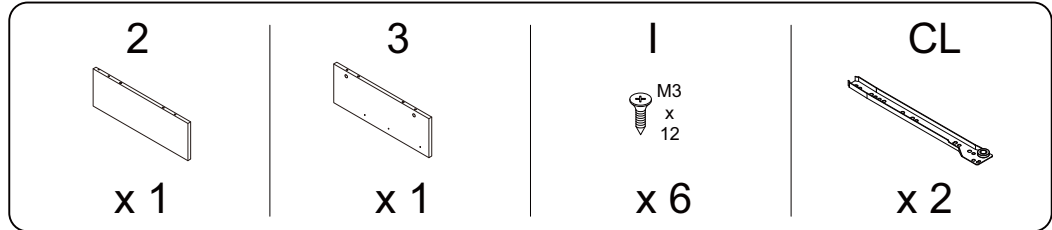
7



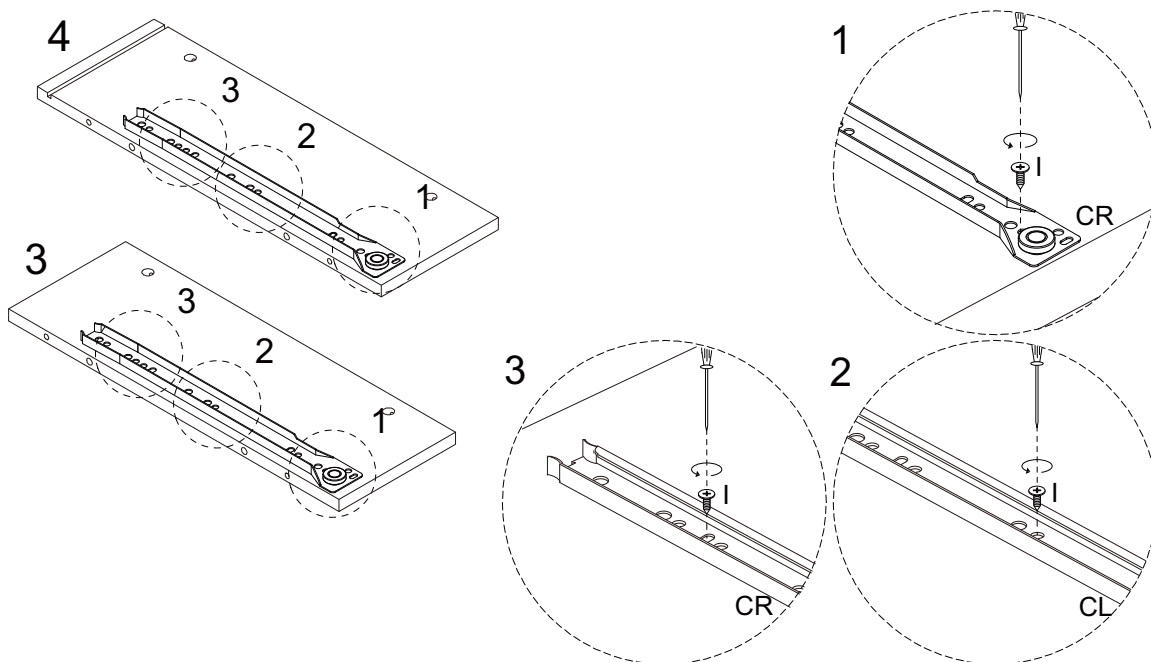
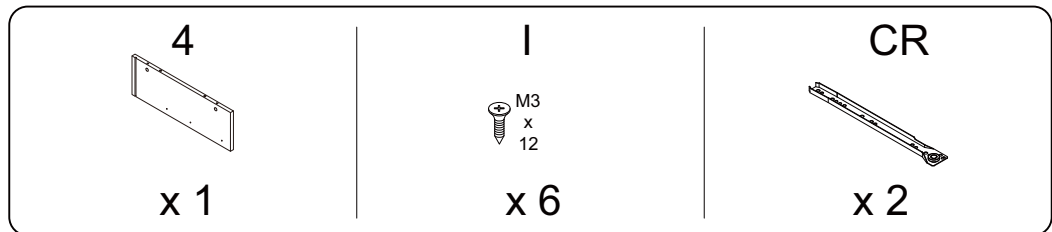
8



9



10

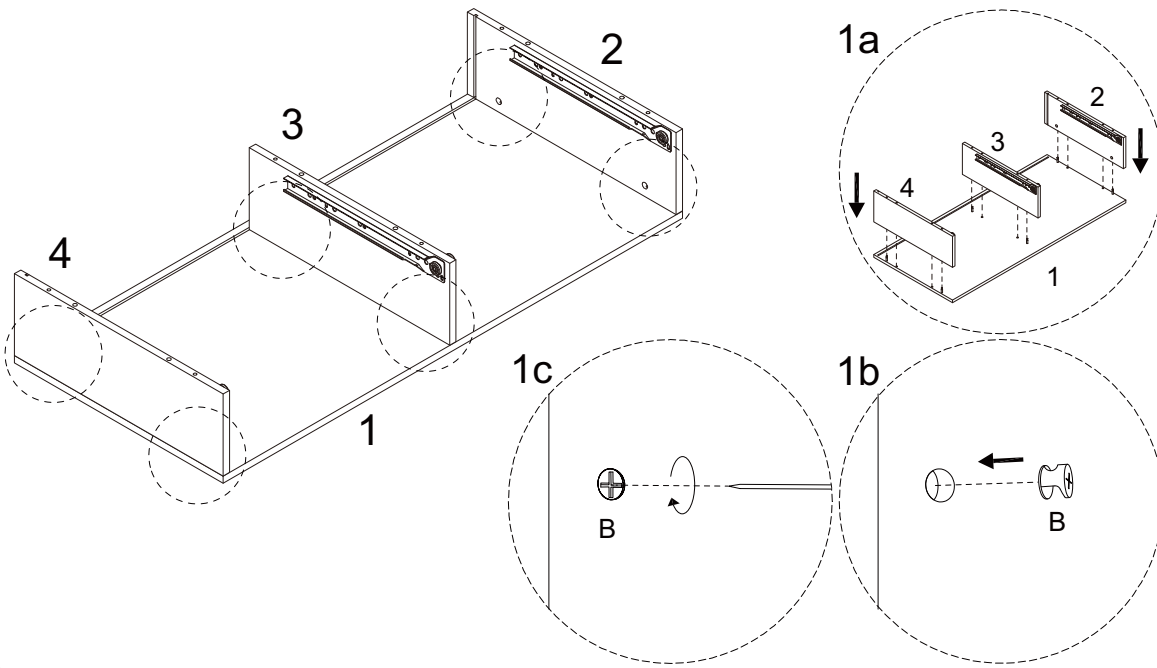


11

B

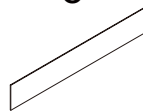


x 6

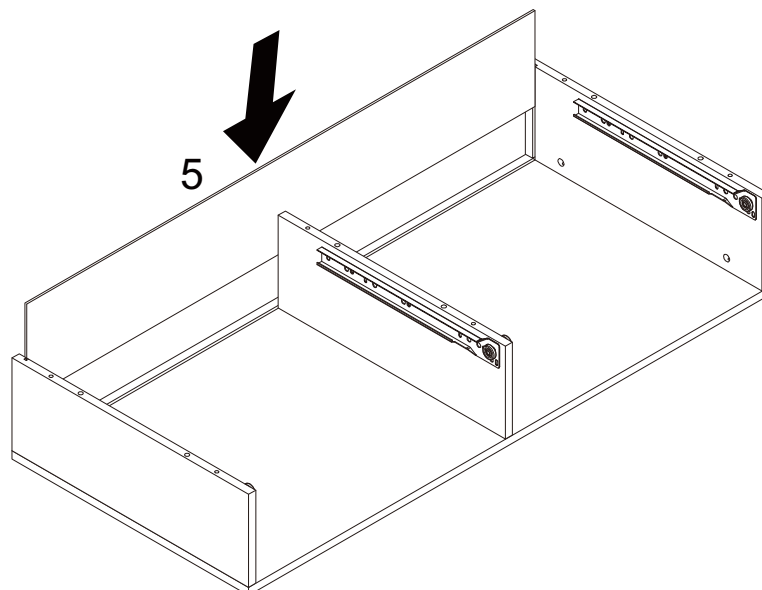


12

5



x 1

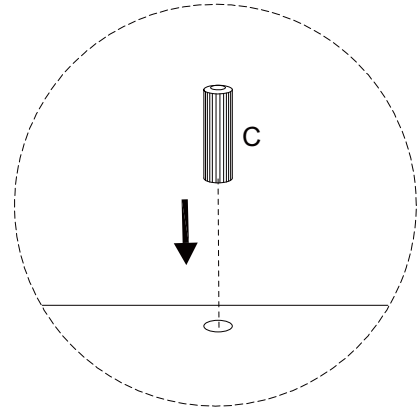
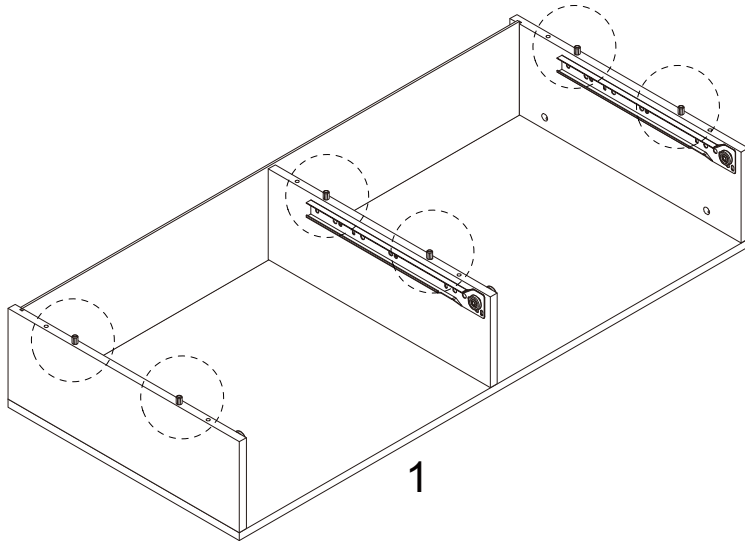


13

C



x 6

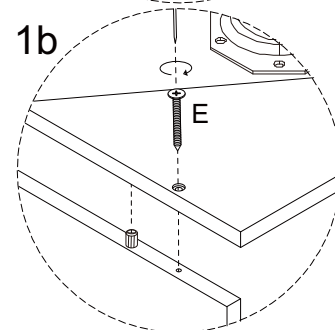
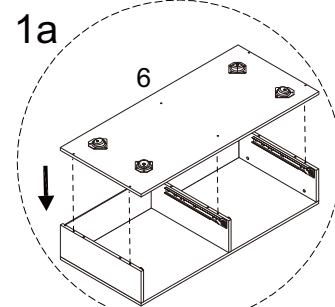
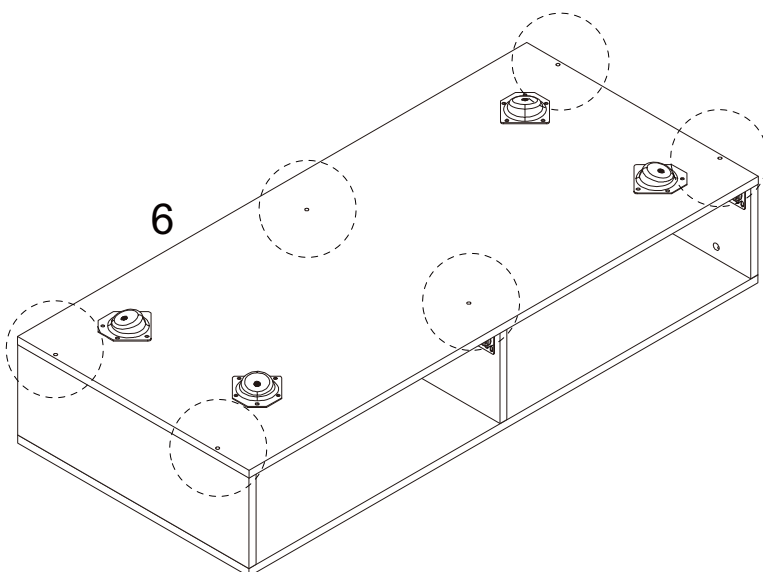


14

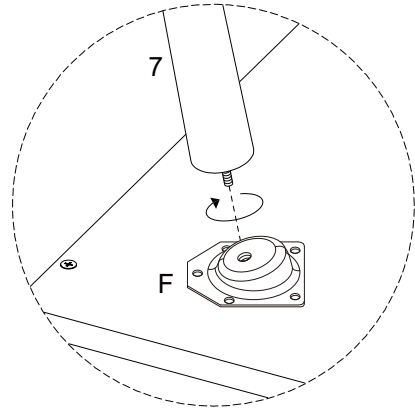
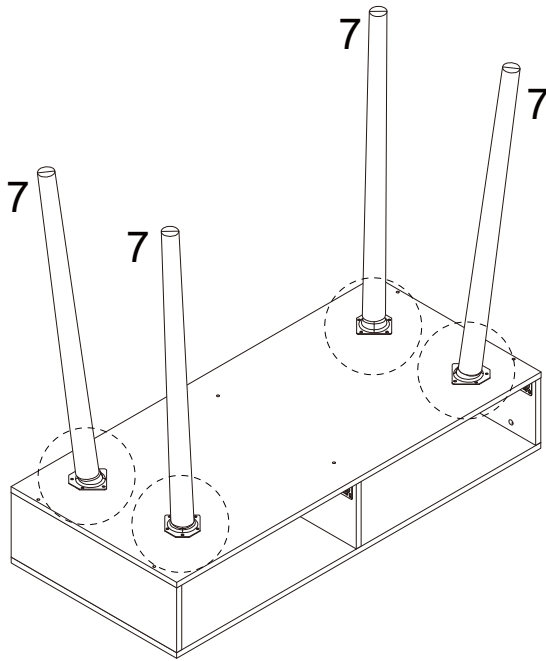
E



x 6

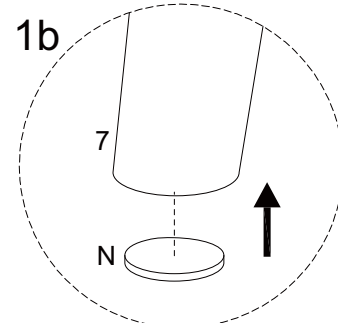
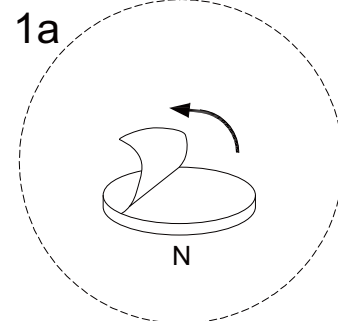
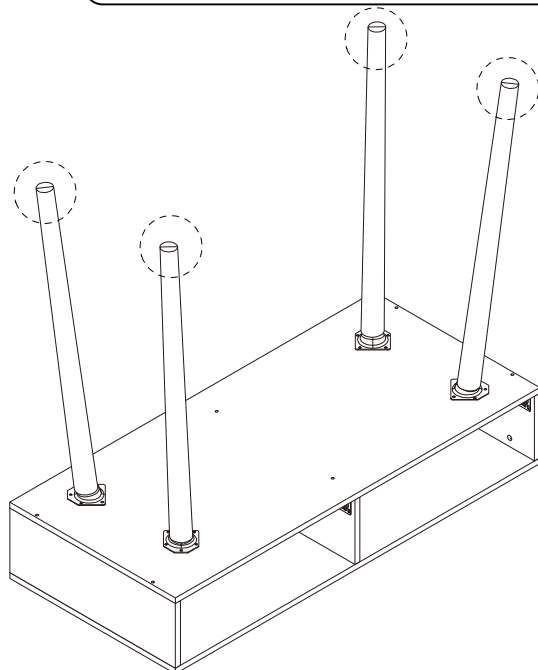


15

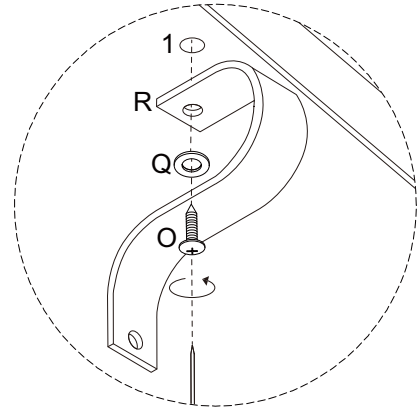
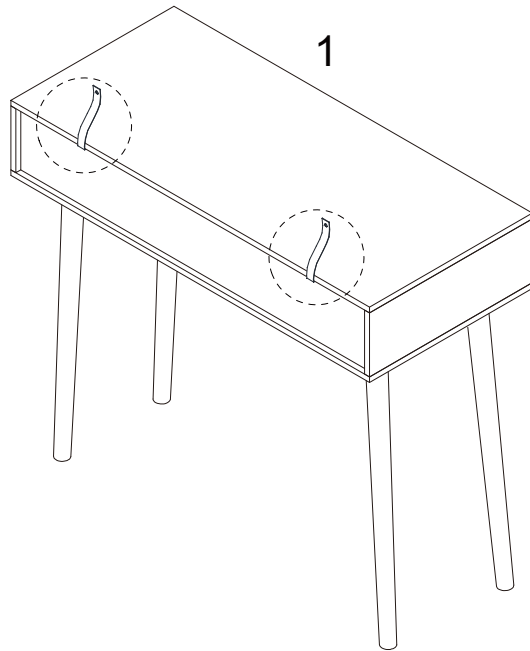
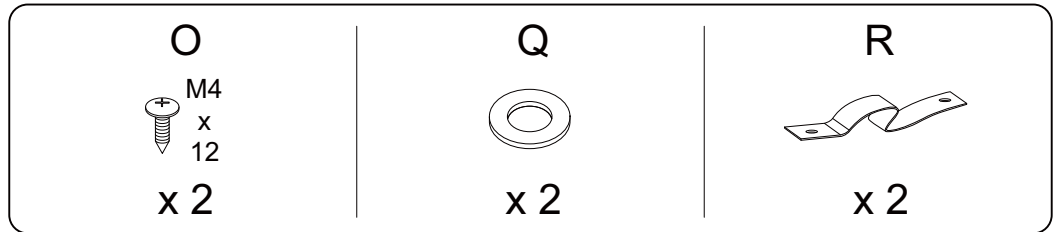


16

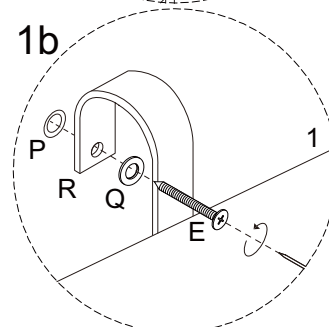
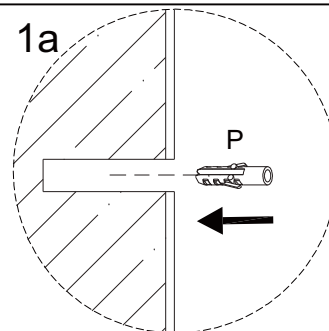
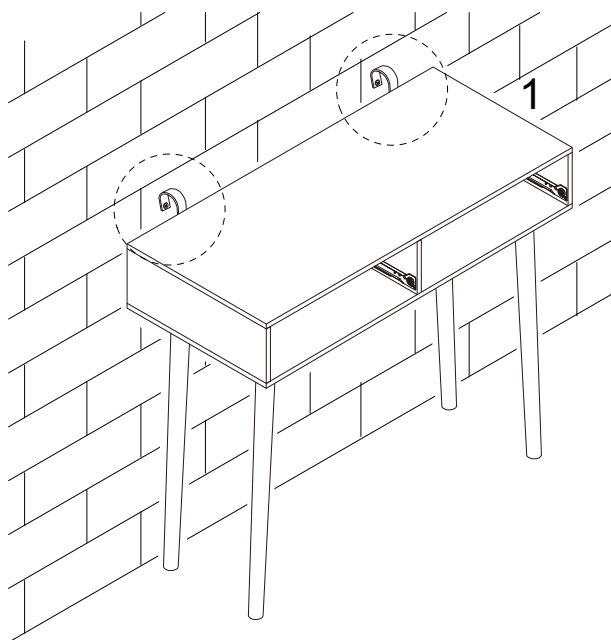
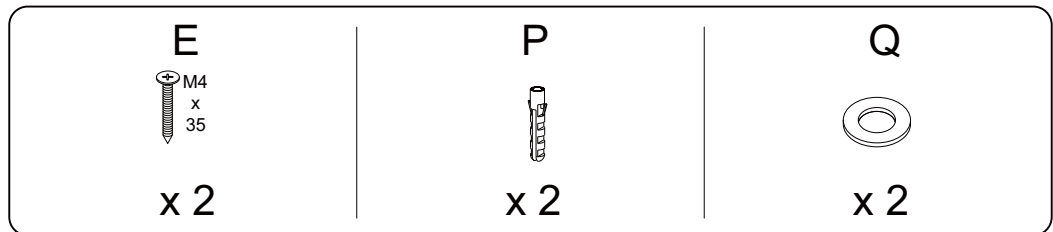
N



17



18



19

