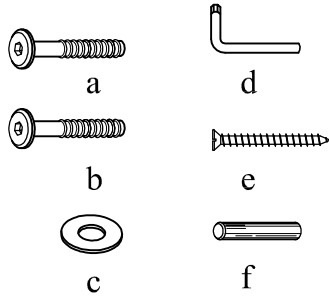


VANITY DESK

Assembly Instruction

A . Components :

- 1. Top Vanity Desk 1 x
- 2. Legs 2 x
- 3. Stretcher 1 x



B . Hardware :

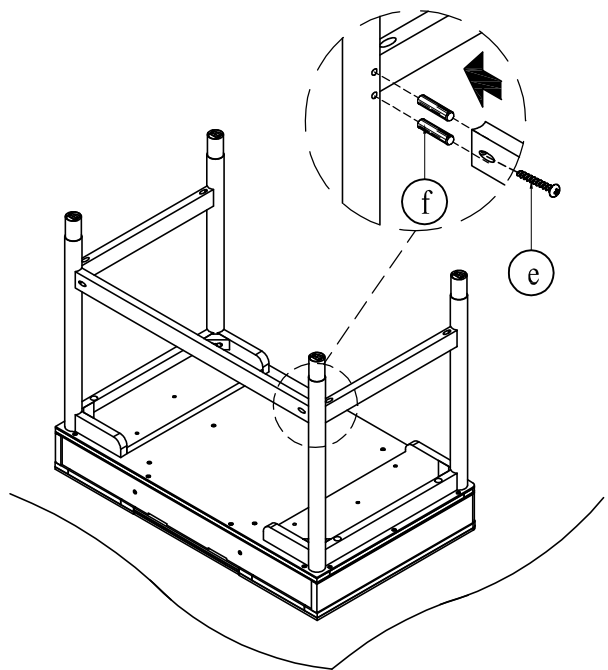
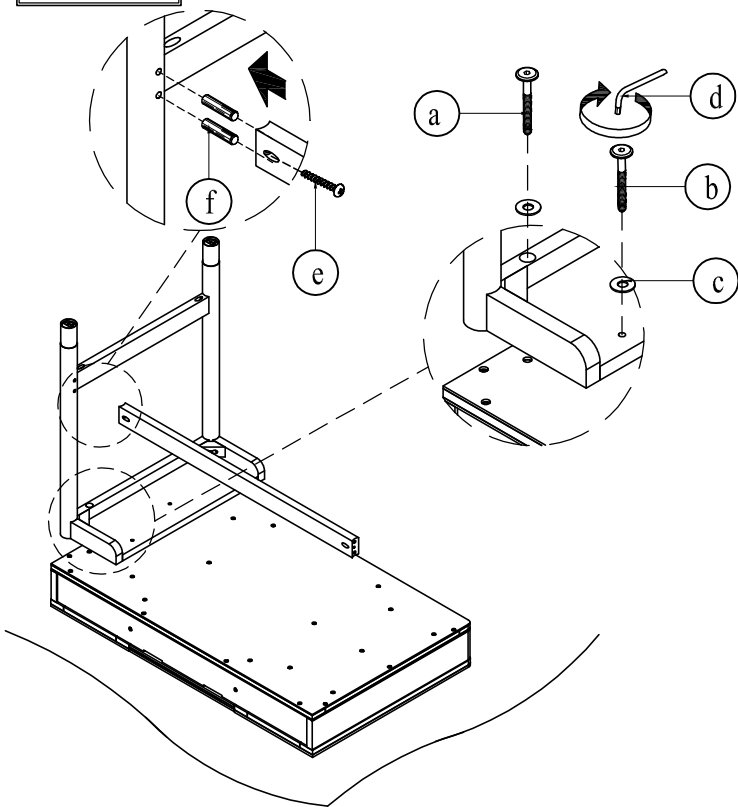
- a. Allen Bolt Long 4 x
- b. Allen Bolt Short 6 x
- c. Flat Washer 10 x
- d. Allen Key 1 x
- e. Screw 2 x
- f. Dowel 4 x

C . Tool Required :

- 1. Screw Driver = (not included)



STEP 1



STEP 3

