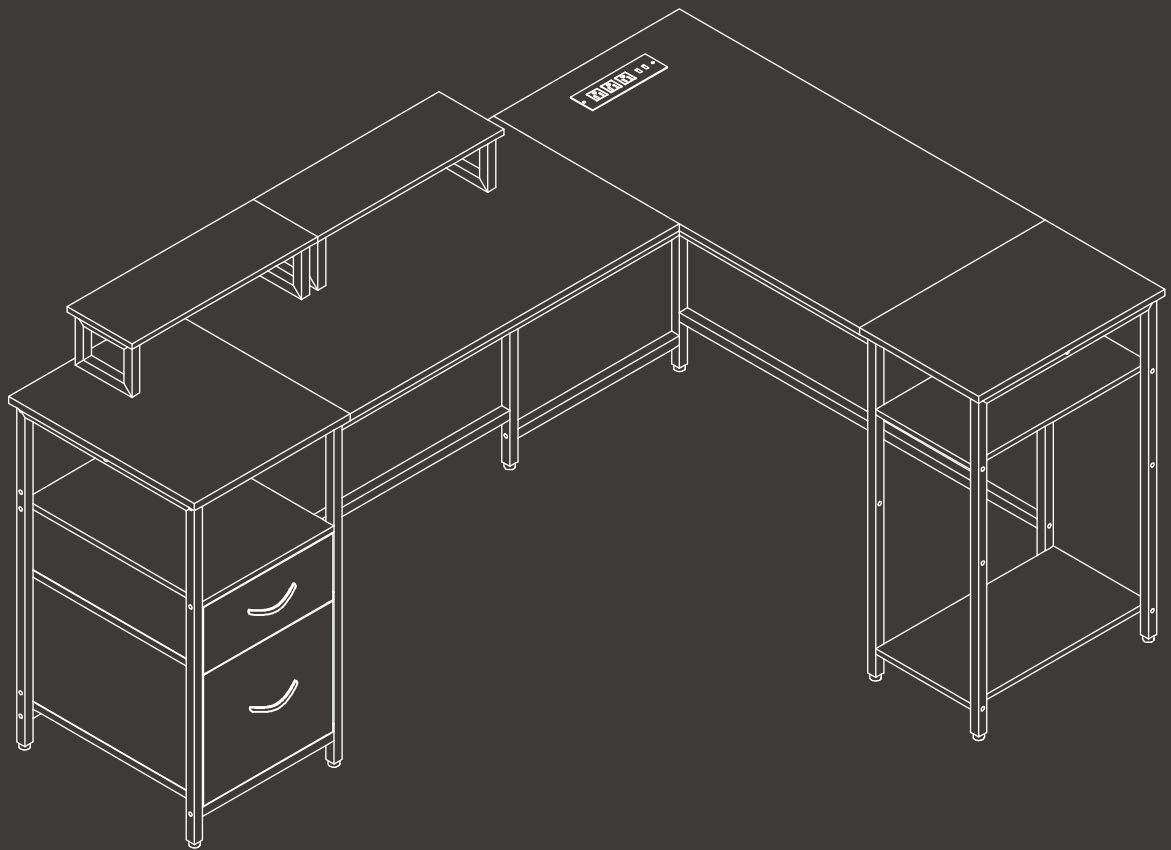
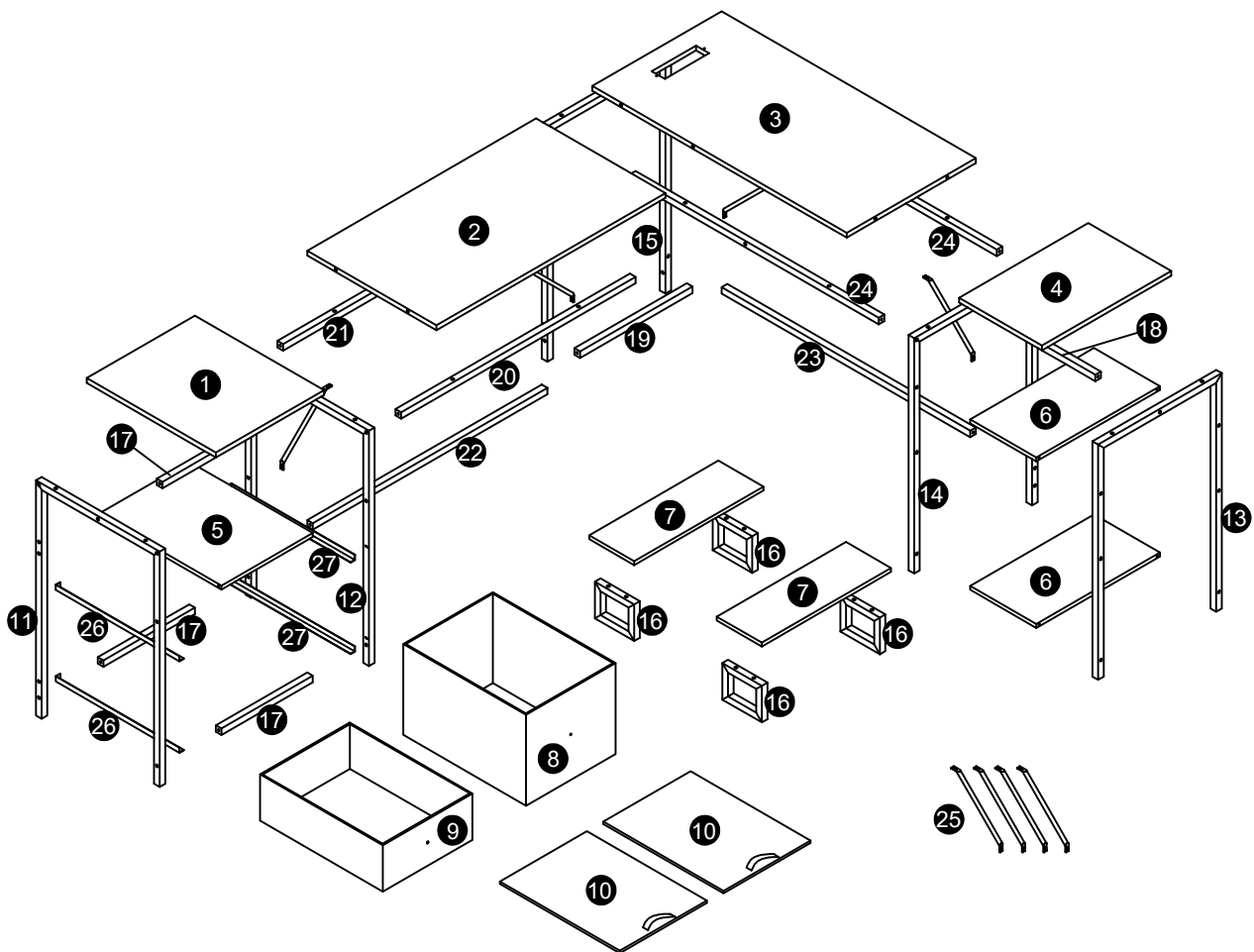


L Shaped Desk

Instruction Manual

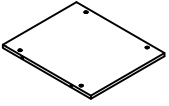


EXPLODED VIEW

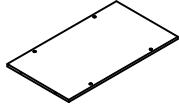


PARTS LIST

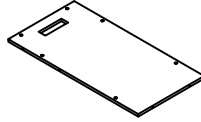
1x1



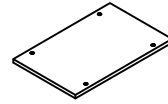
2x1



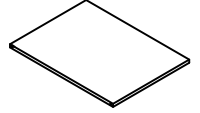
3x1



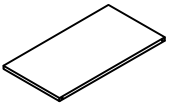
4x1



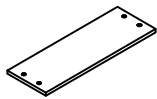
5x1



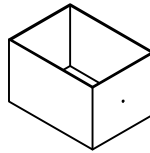
6x2



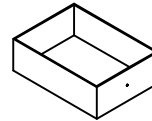
7x2



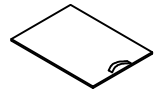
8x1



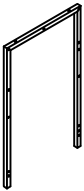
9x1



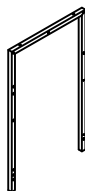
10x2



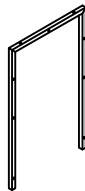
11x1



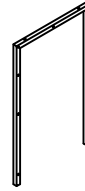
12x1



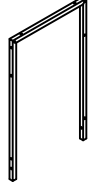
13x1



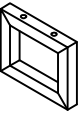
14x1



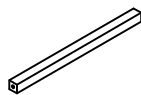
15x1



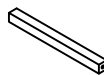
16x4



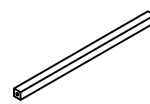
17x3



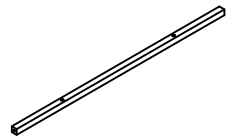
18x1



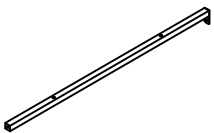
19x1



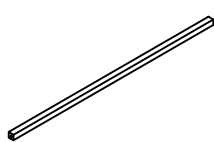
20x1



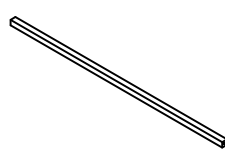
21x1



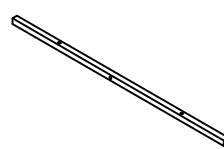
22x1



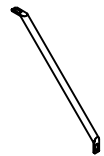
23x1



24x2



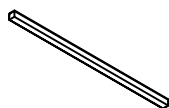
25x4



26x2



27x2



Left

Right

HARDWARE

Ax21



M6 x 40mm

Bx18



M6 x 30mm

Cx8



M6 x 28mm

Dx9



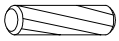
M6 x 15mm

Ex4



M6 x 15mm

Fx6



Ø8 x 40mm

Gx12



Ø7 x 50mm

Hx2



M3.5*12mm

Ix10



Jx4



M4*10mm

Kx2



Lx1



Mx1

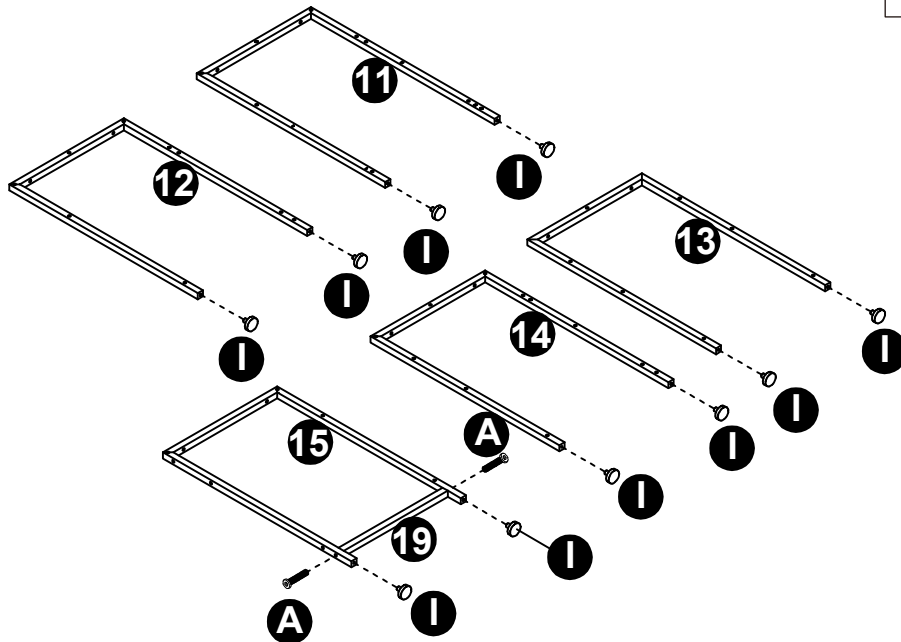
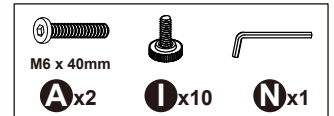
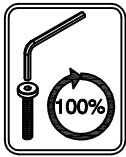


Nx1

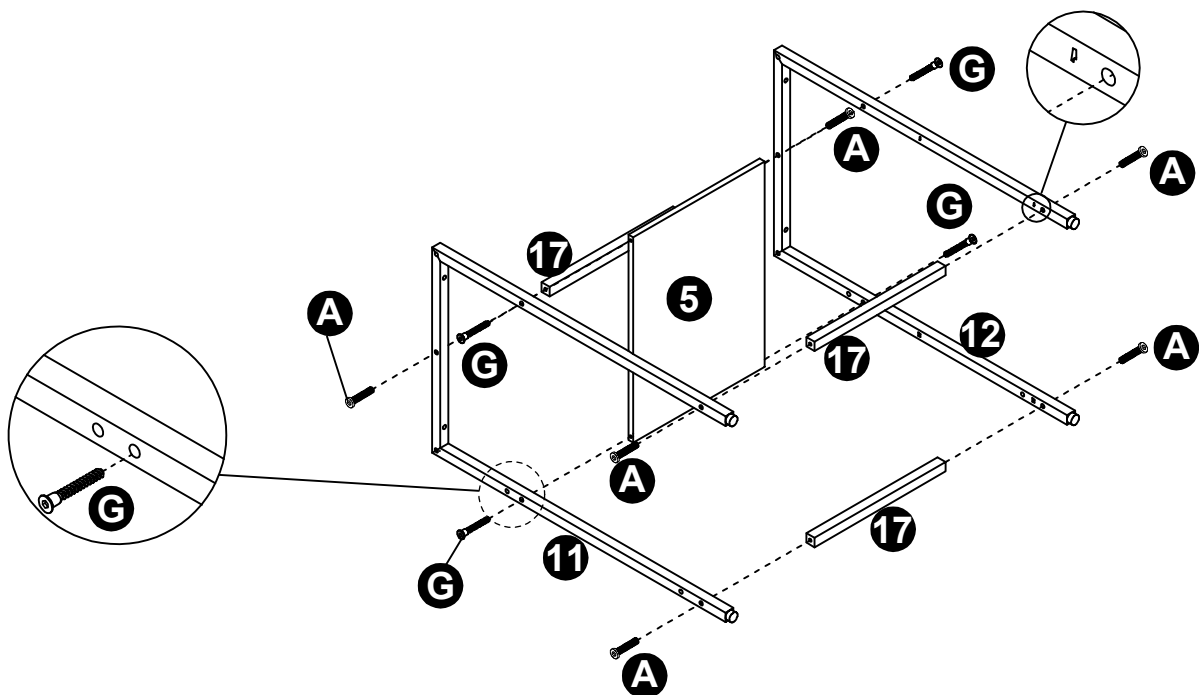
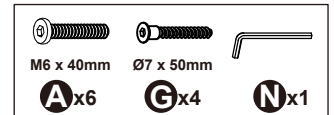
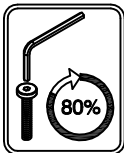


Assembly Instruction: Option ①

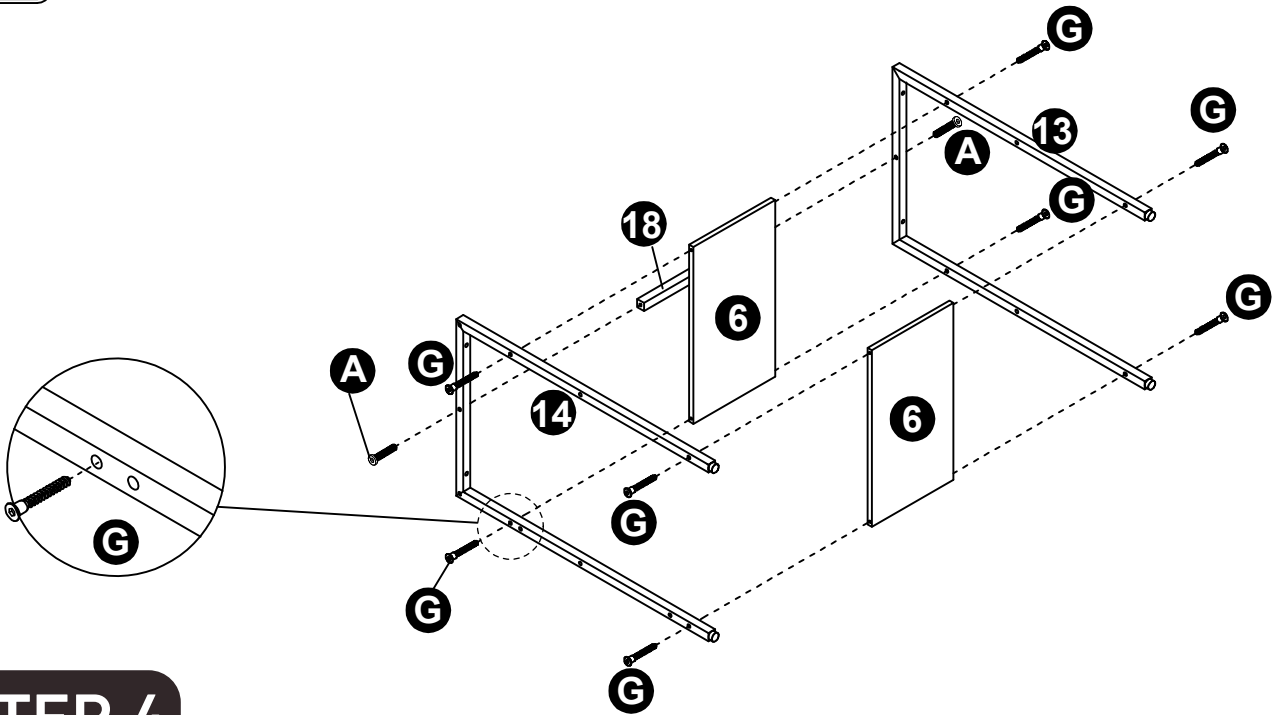
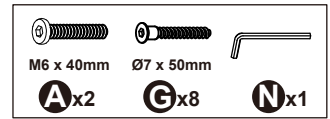
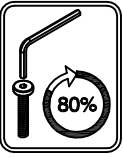
STEP 1



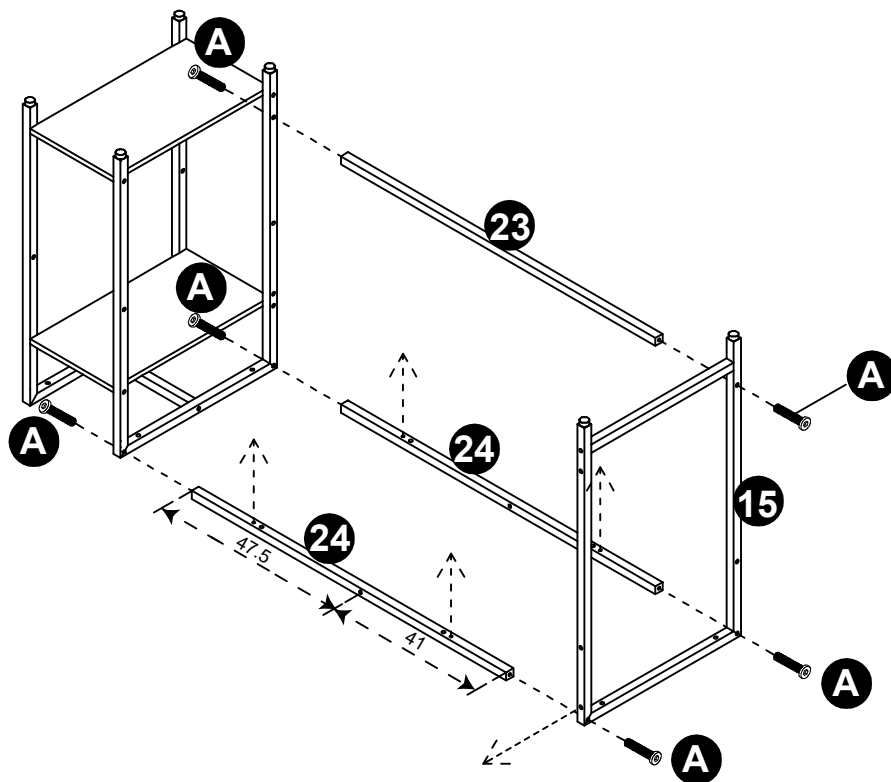
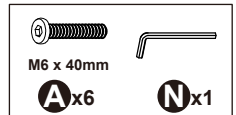
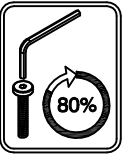
STEP 2



STEP 3

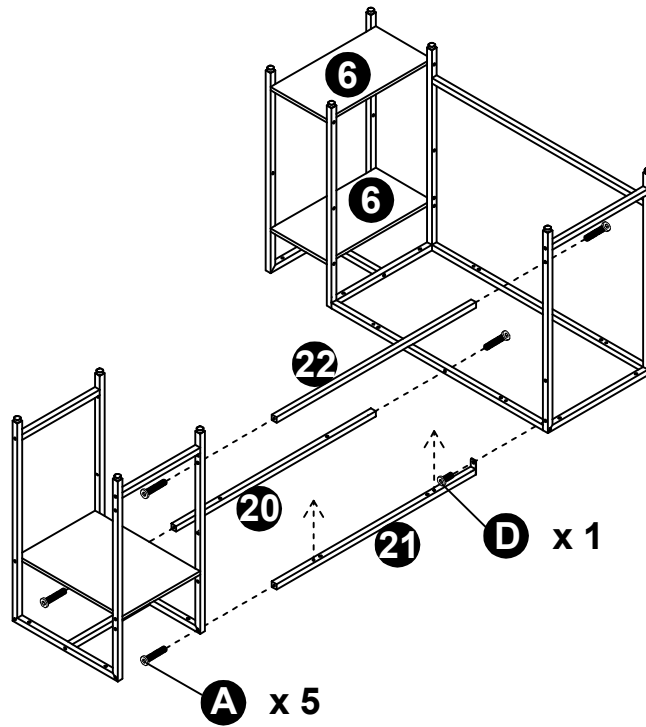
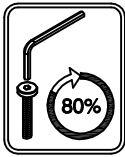


STEP 4



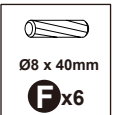
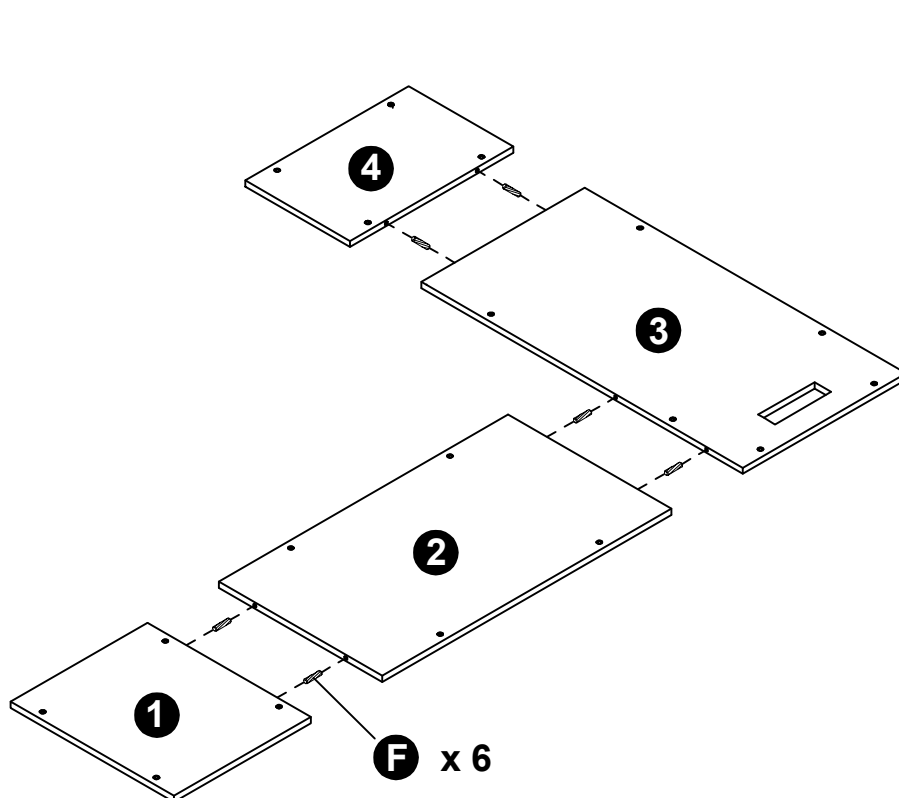
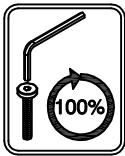
Note: The holes must face as shown.

STEP 5

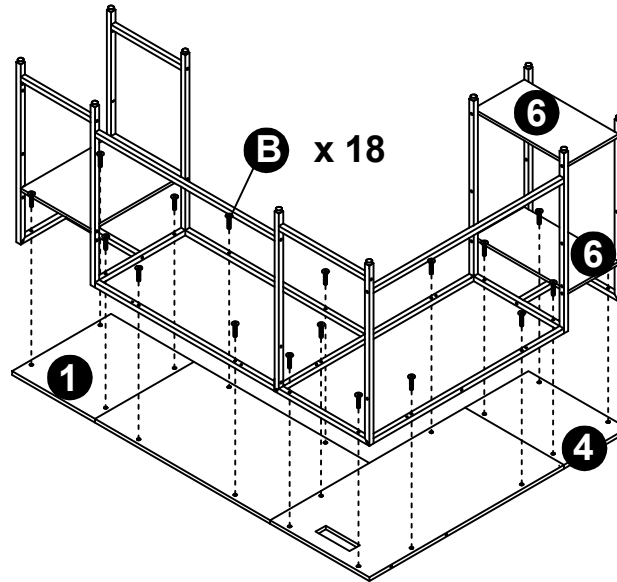
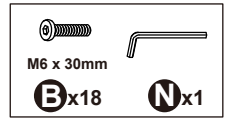


Note: The holes must face as shown.

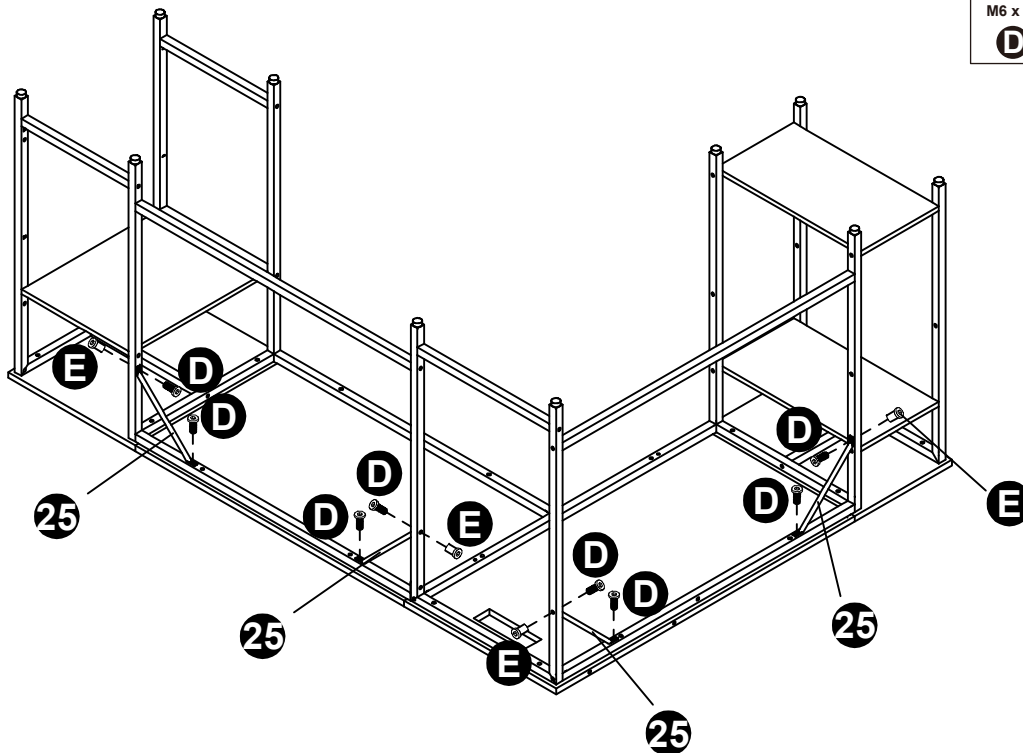
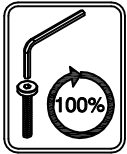
STEP 6



STEP 7



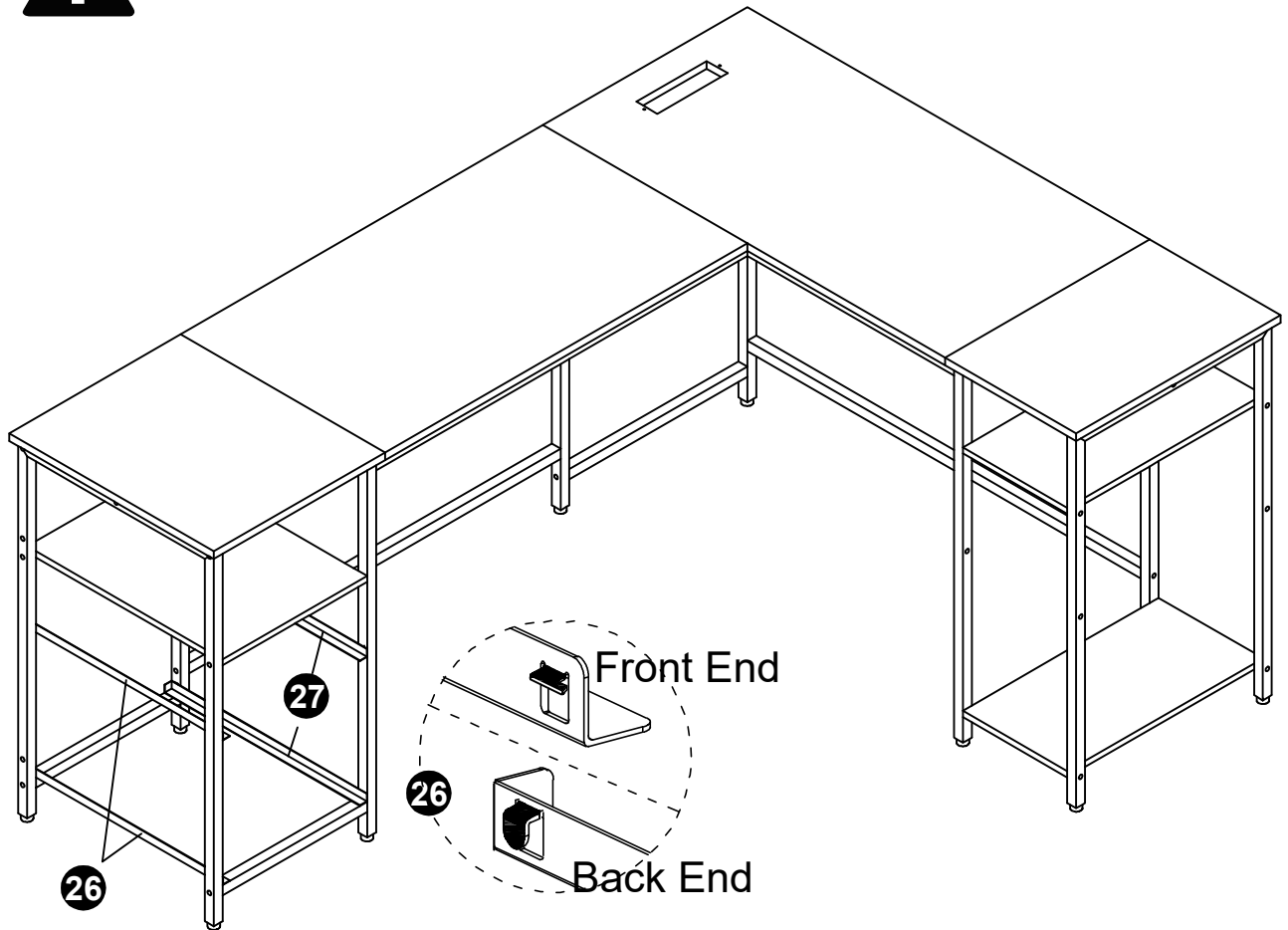
STEP 8



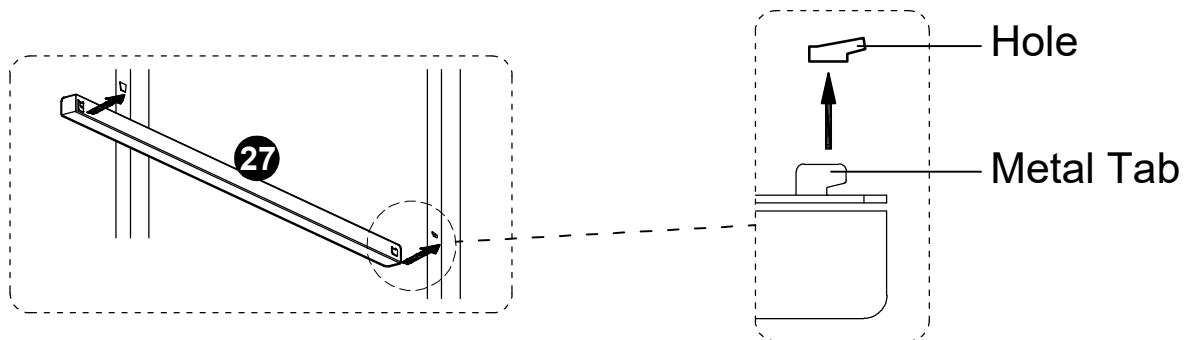
STEP 9



Once all drawer slides are in place, tighten all screws securely.

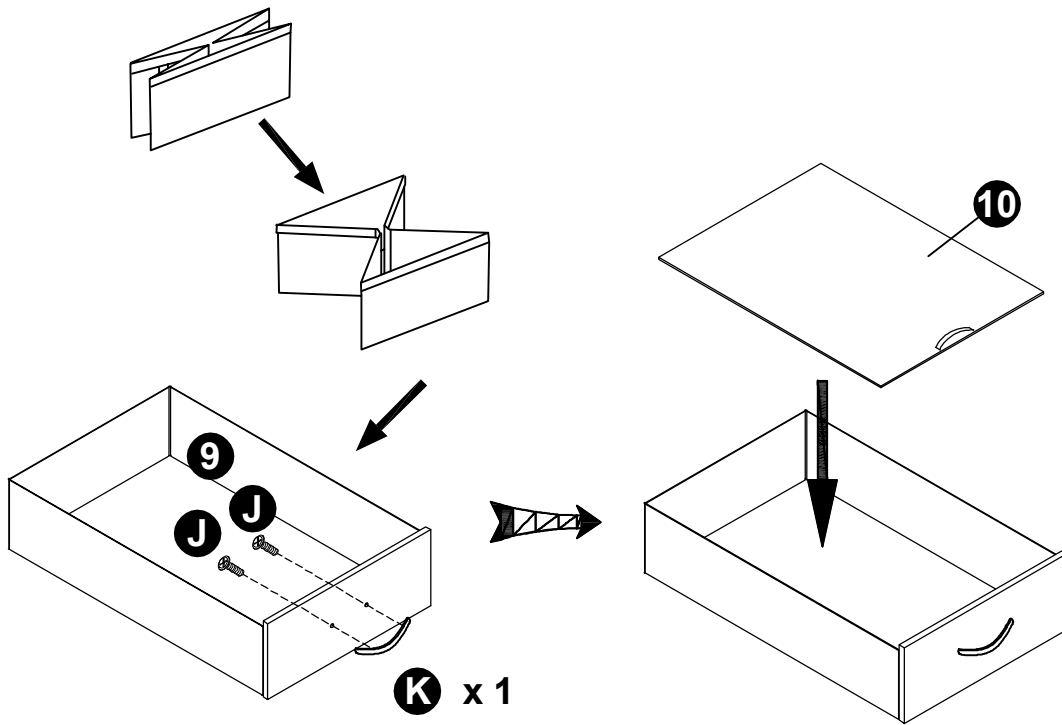
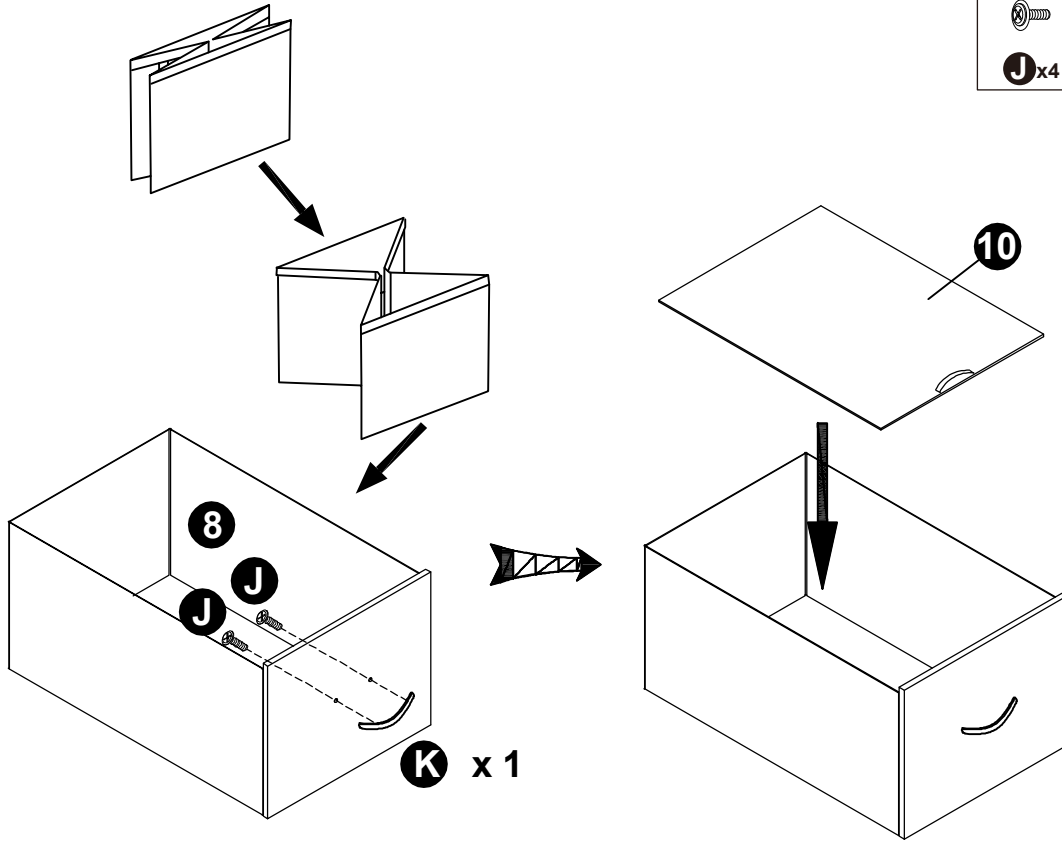
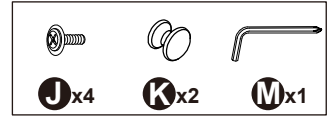
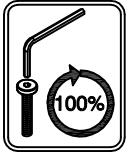


Note: If the metal tab is not protruding, pry it open slightly.

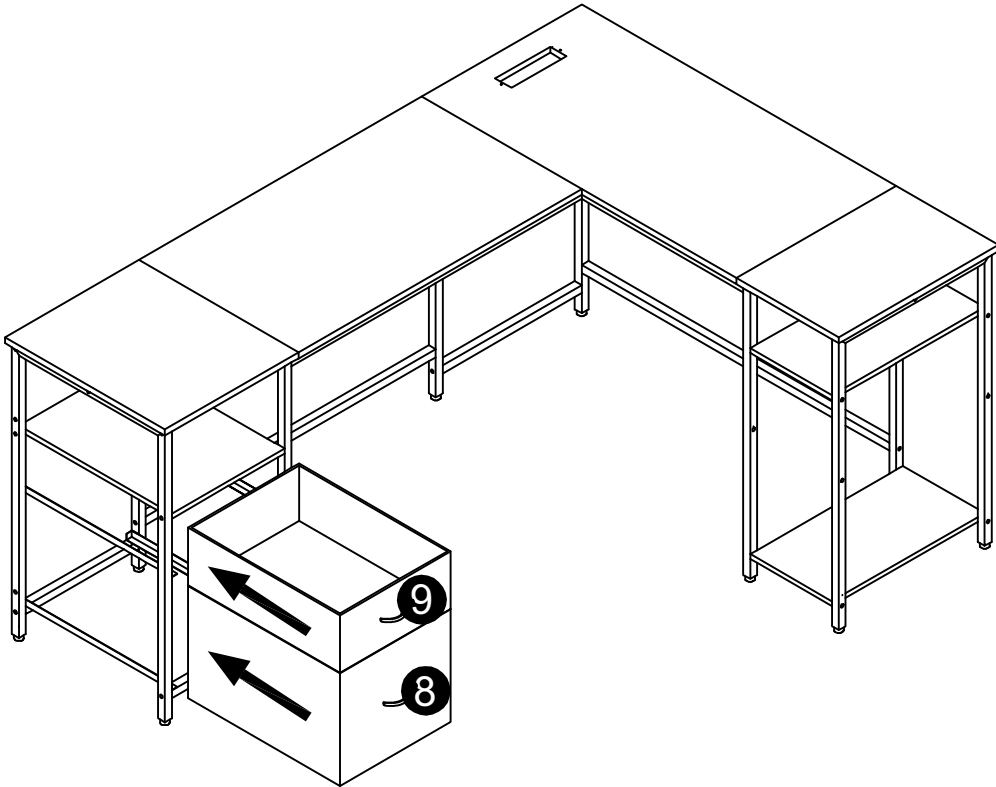


Note: To install, the front end should be inserted first. To remove, pull the back end up first.

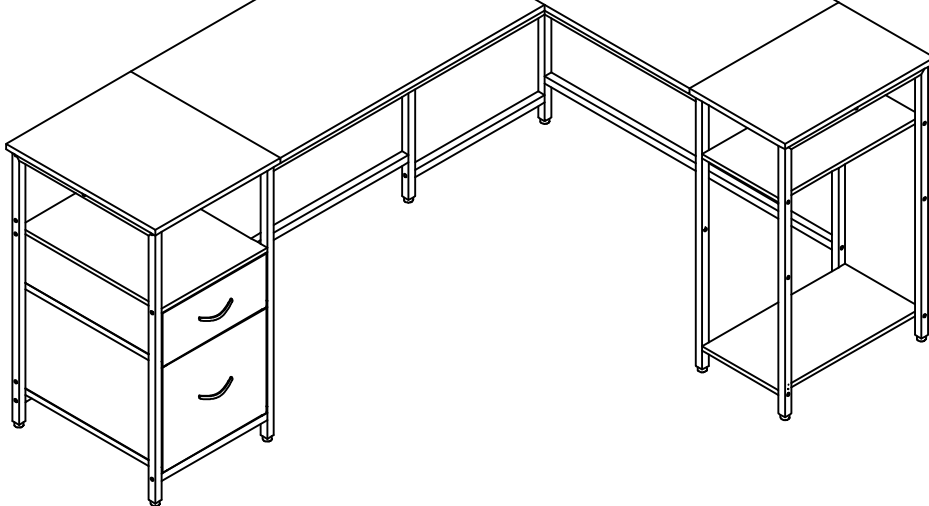
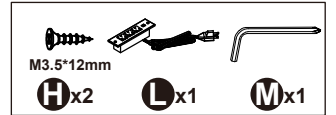
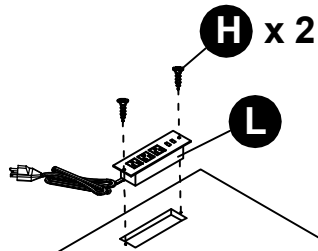
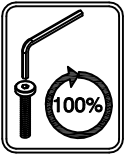
STEP 10



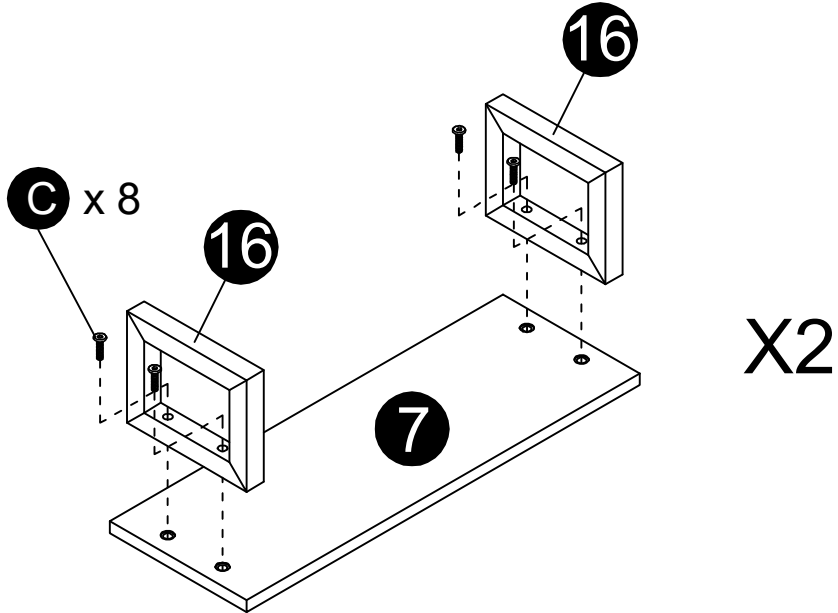
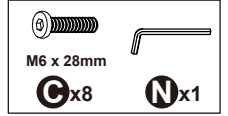
STEP 11



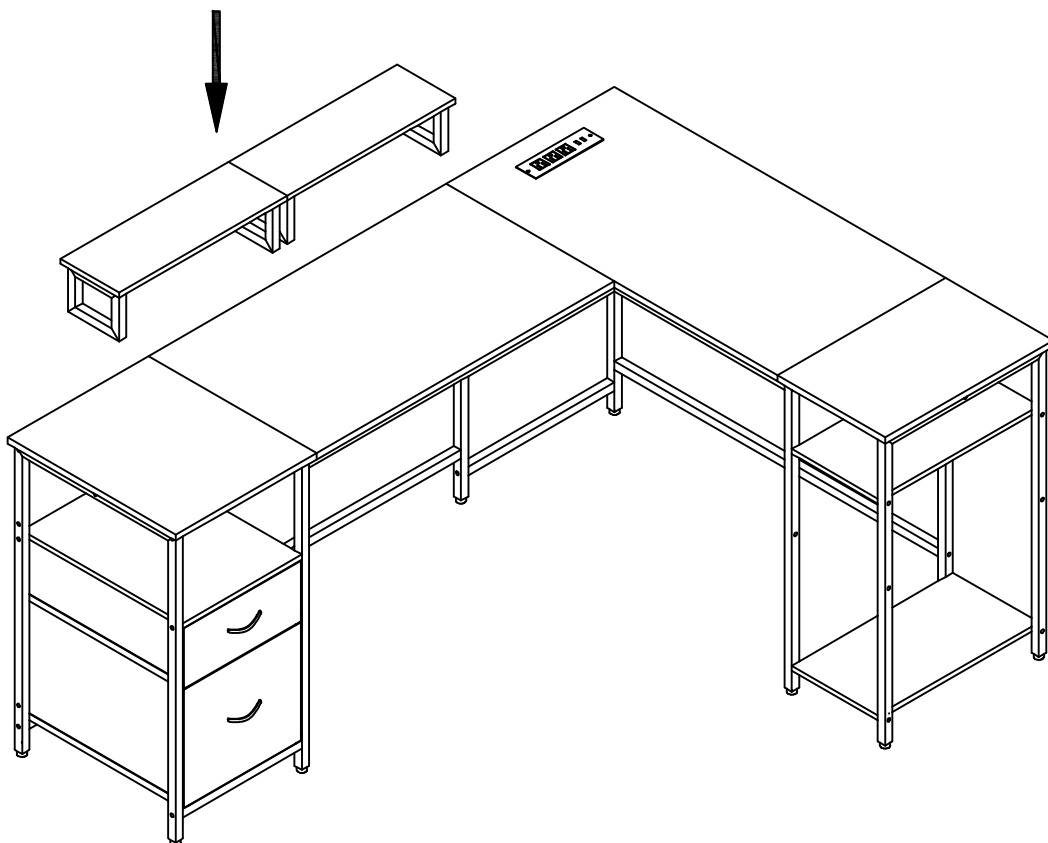
STEP 12



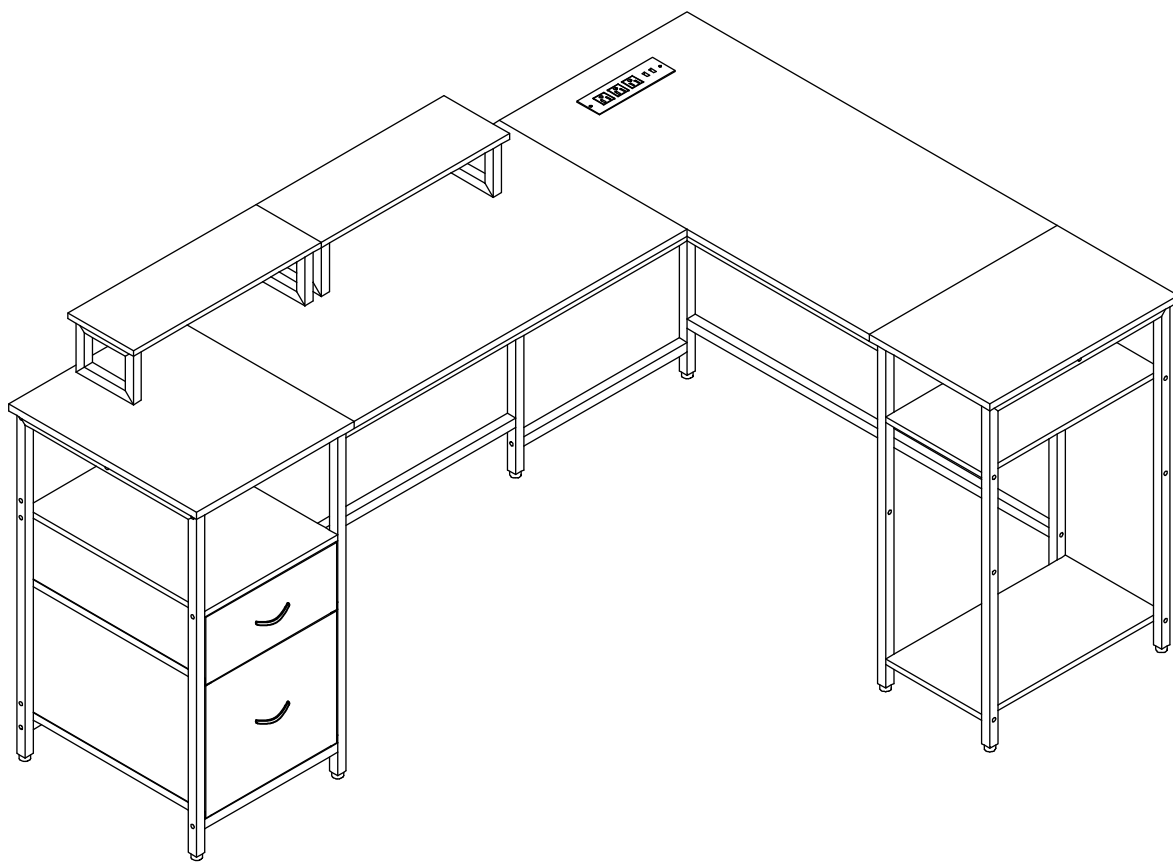
STEP 13



STEP 14

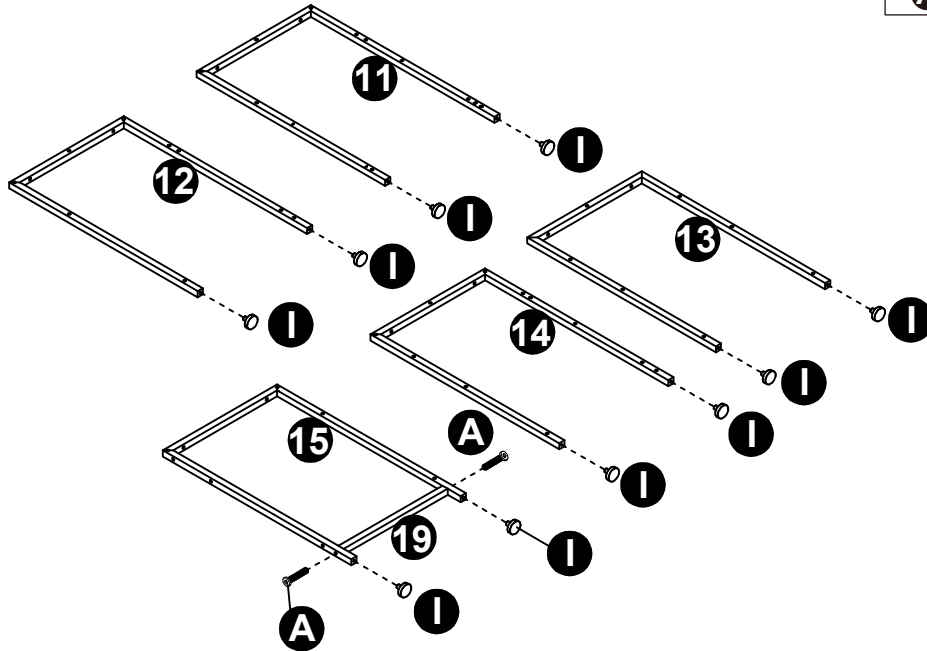


STEP 15

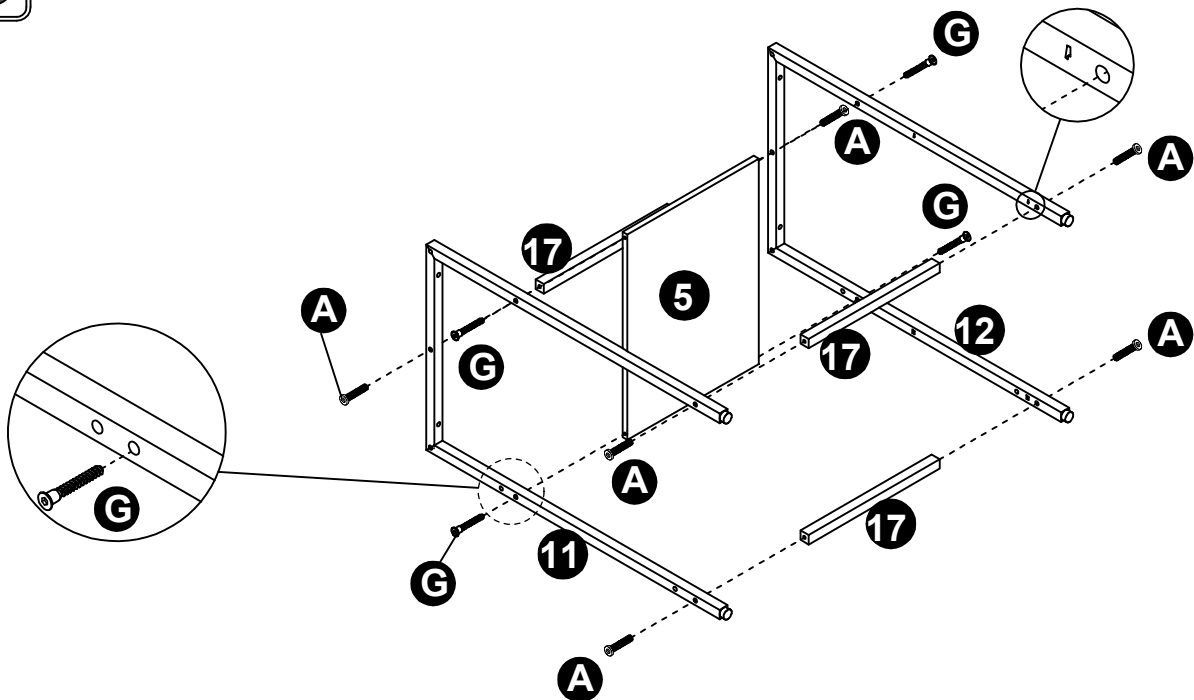
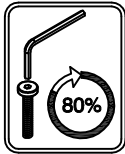


Assembly Instruction: Option ②

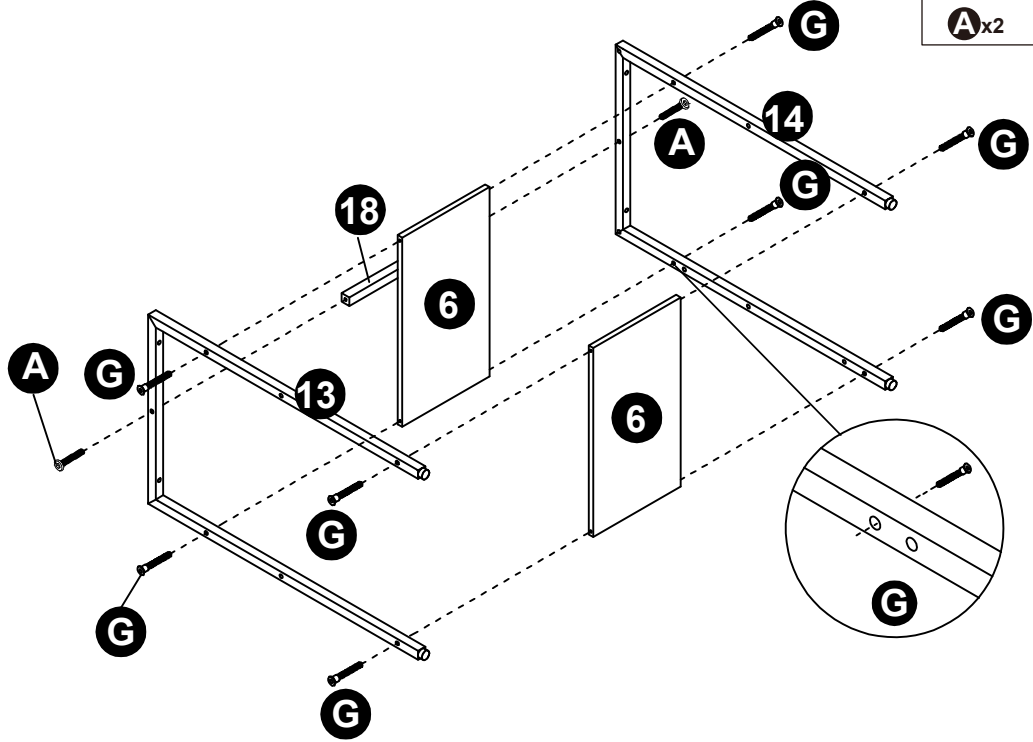
STEP 1



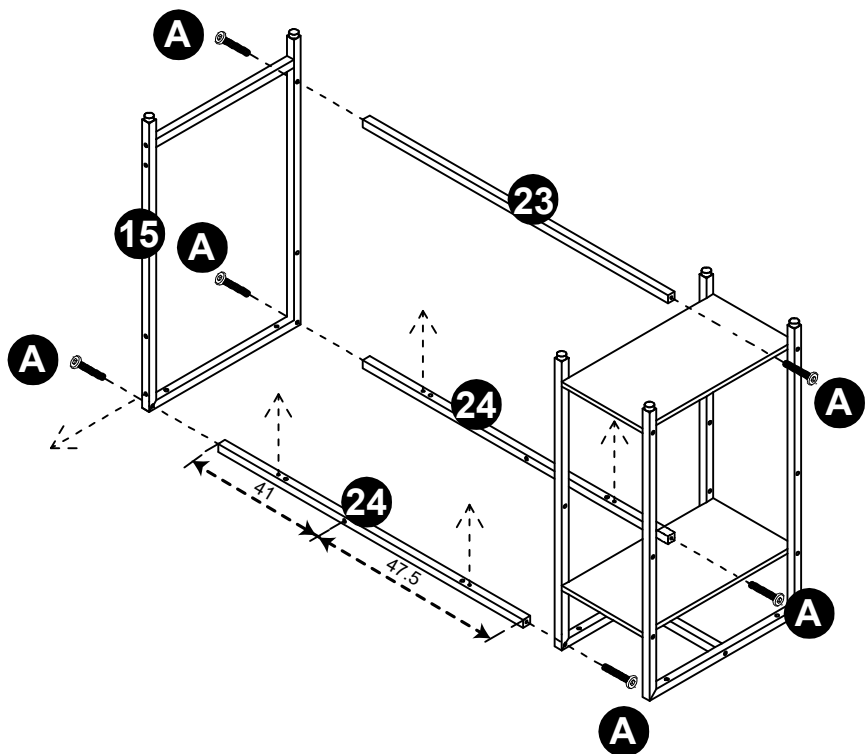
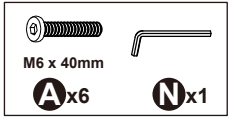
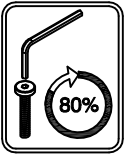
STEP 2



STEP 3

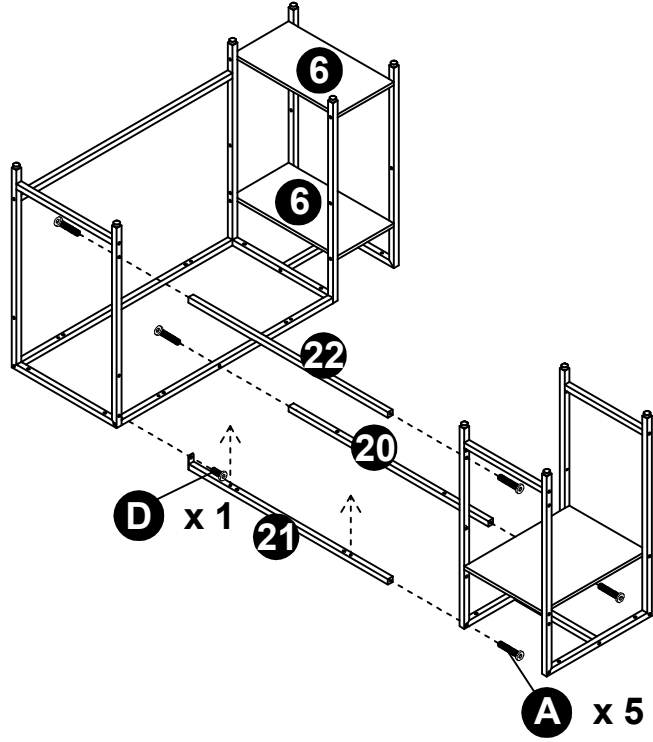


STEP 4



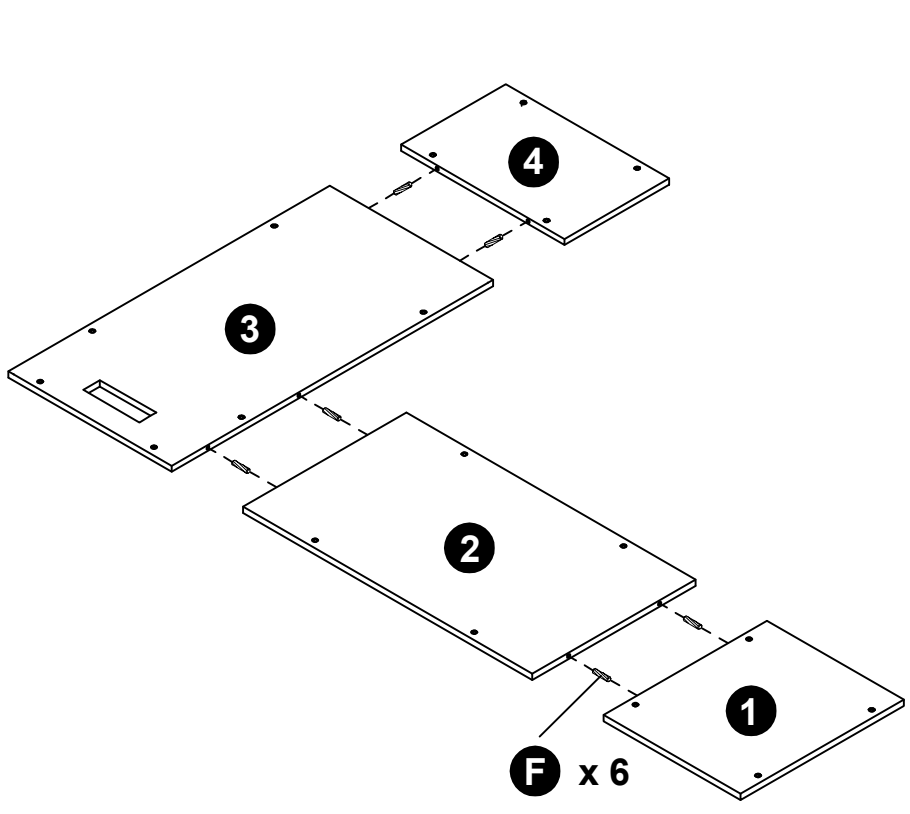
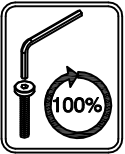
Note: The holes must face as shown.

STEP 5

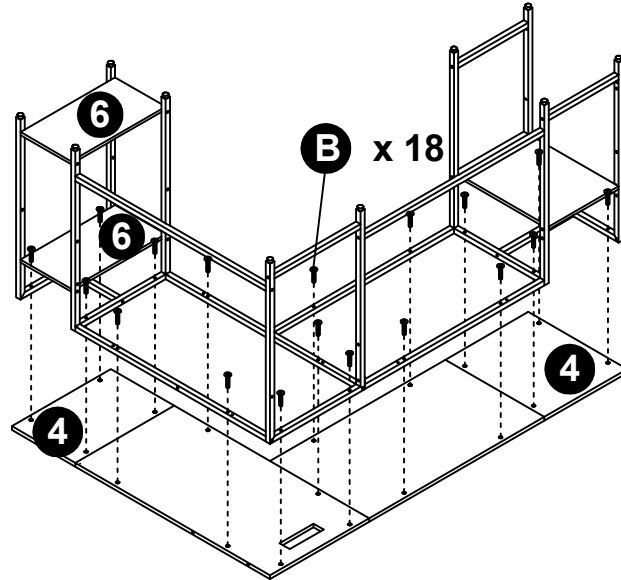
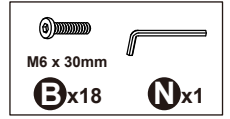
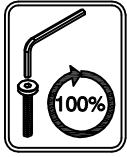


Note: The holes must face as shown.

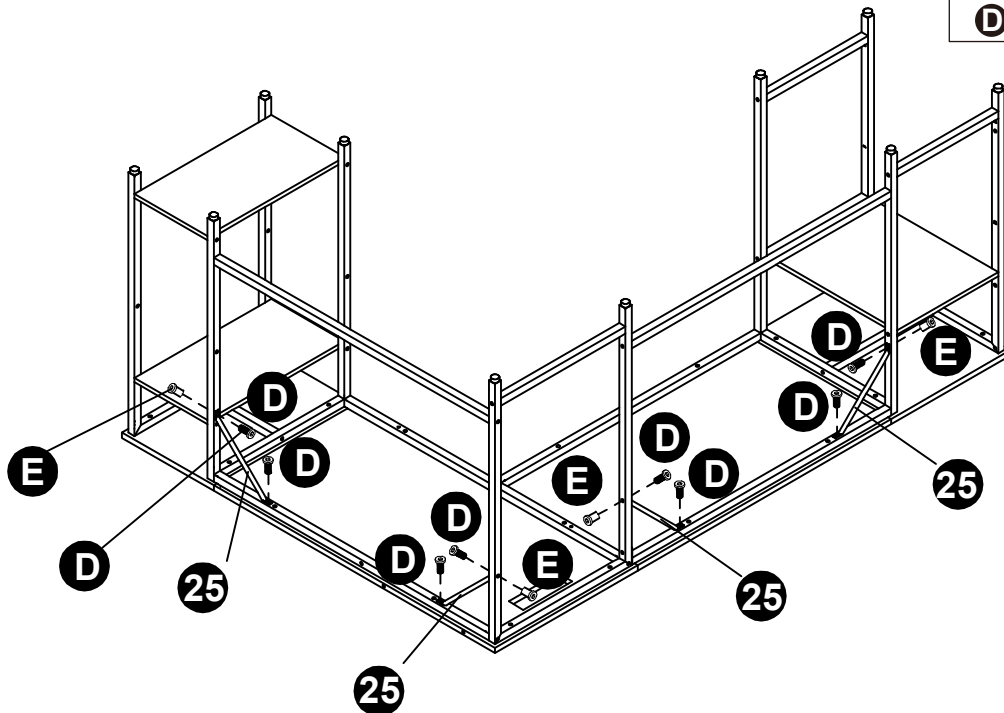
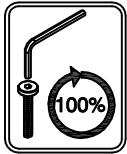
STEP 6



STEP 7



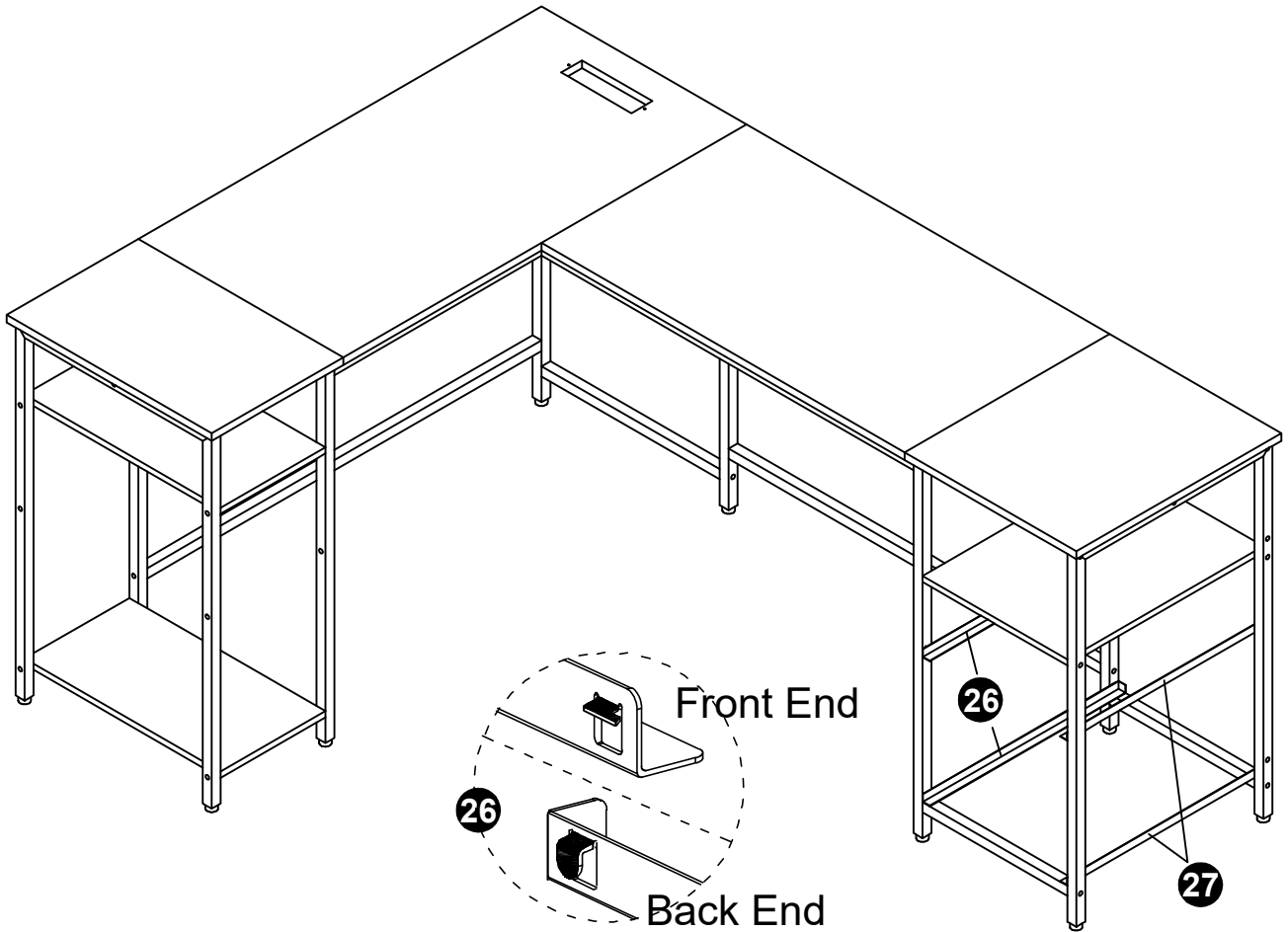
STEP 8



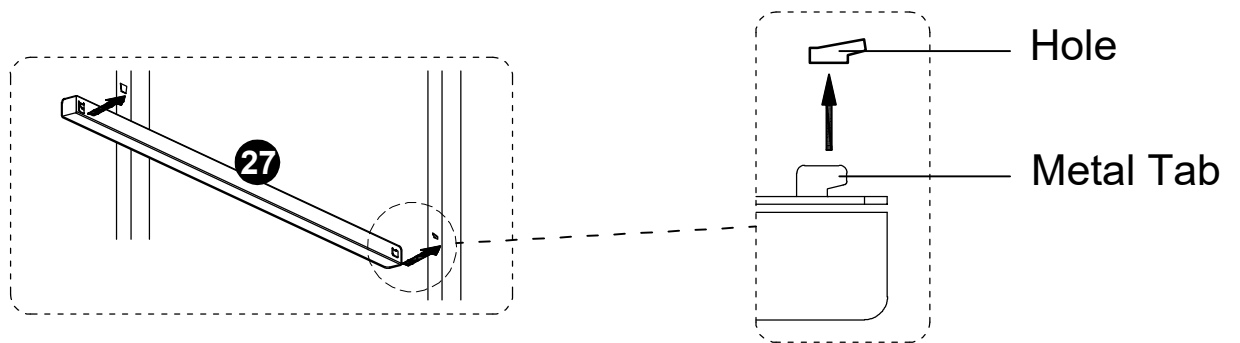
STEP 9



Once all drawer slides are in place, tighten all screws securely.

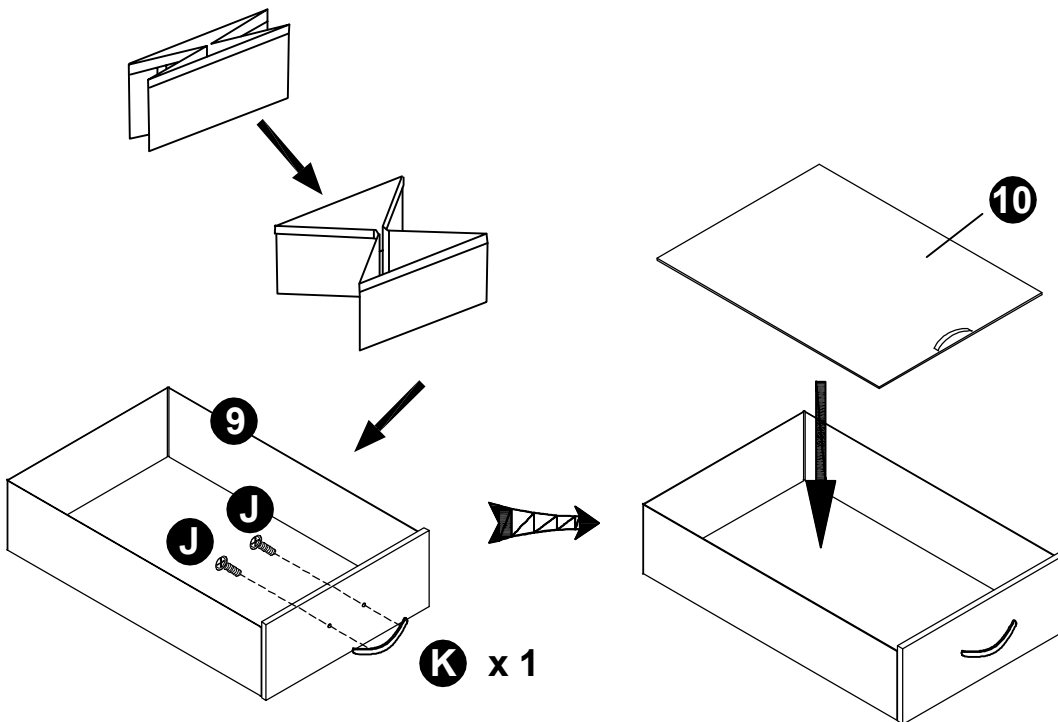
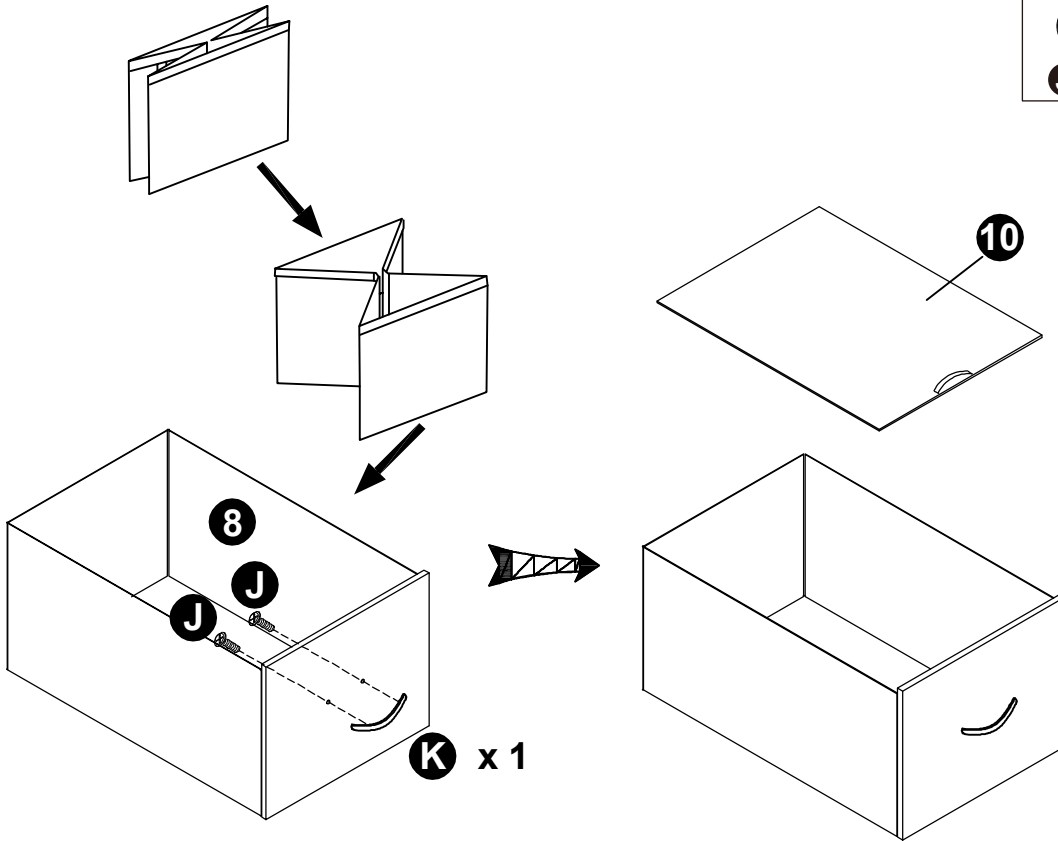
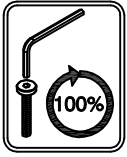


Note: If the metal tab is not protruding, pry it open slightly.

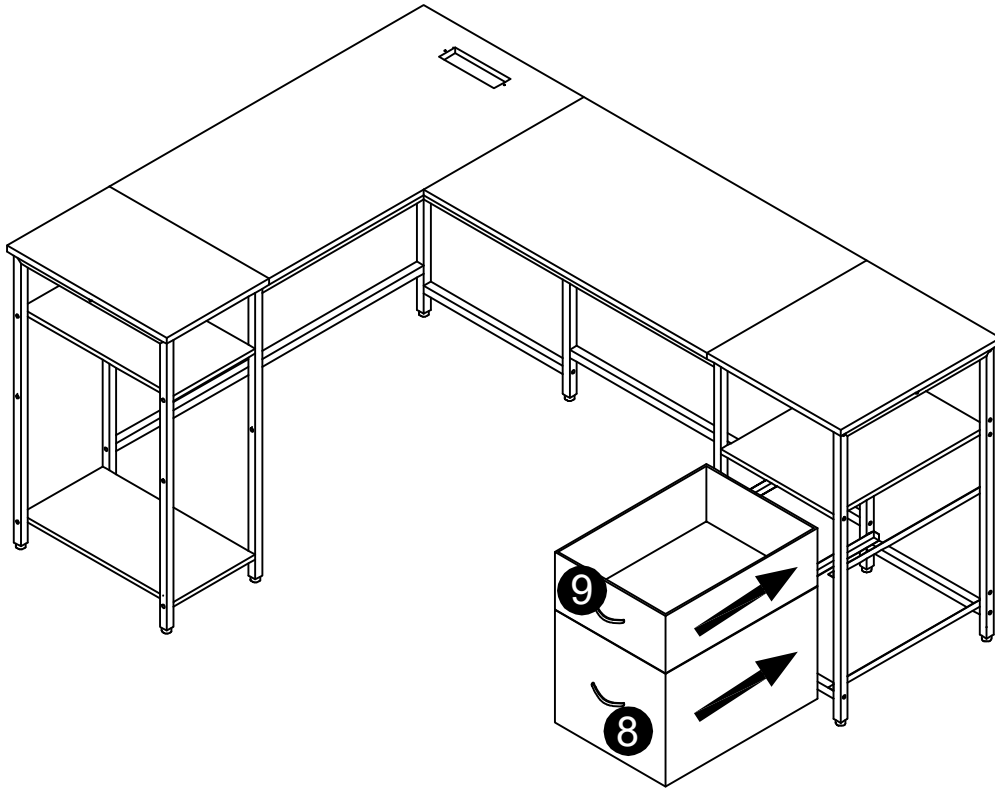


Note: To install, the front end should be inserted first. To remove, pull the back end up first.

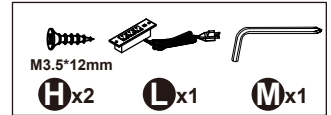
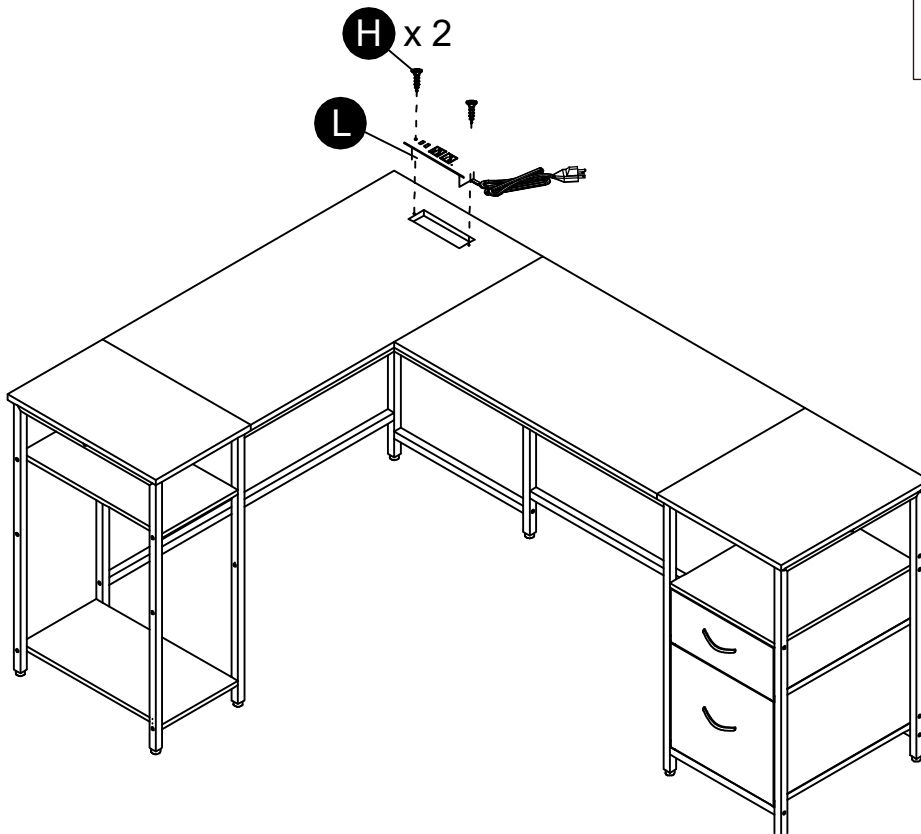
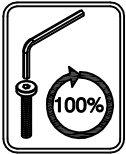
STEP 10



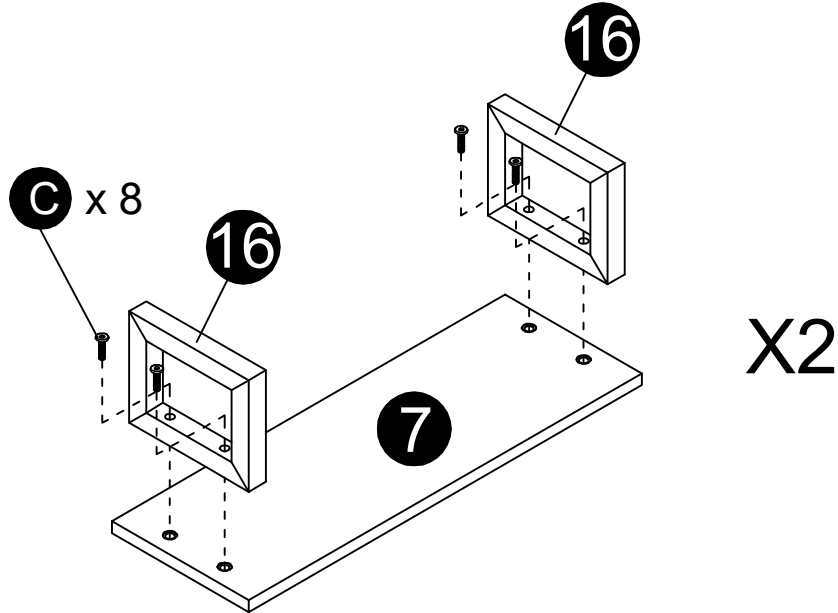
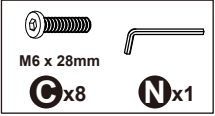
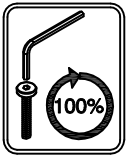
STEP 11



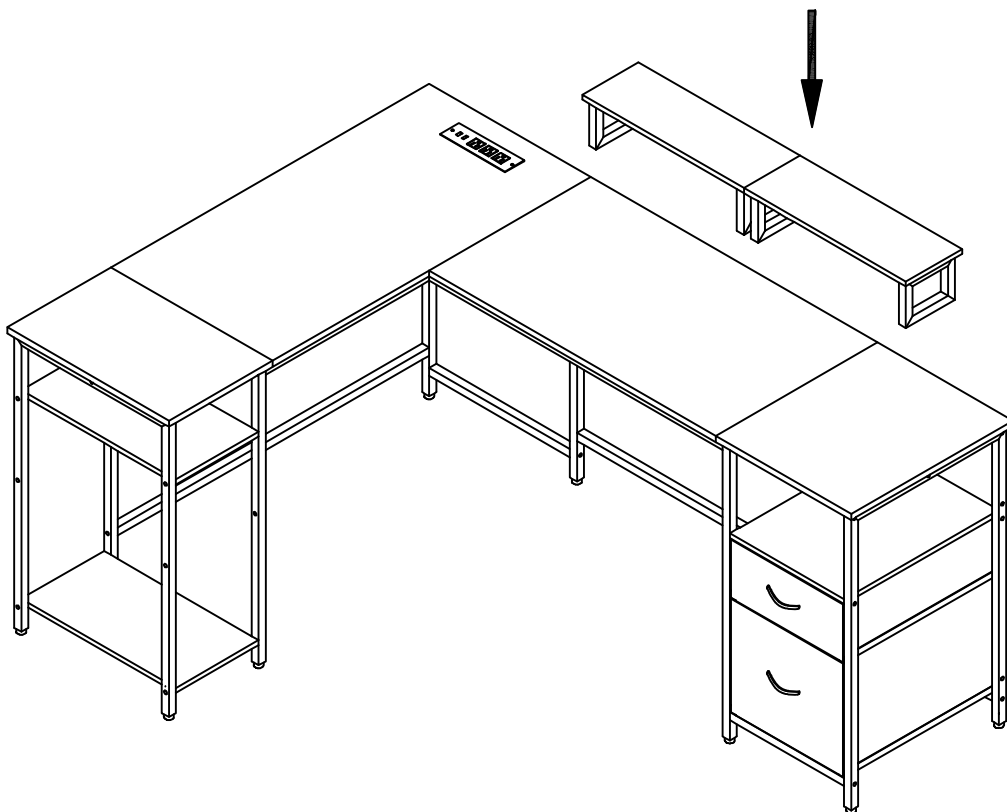
STEP 12



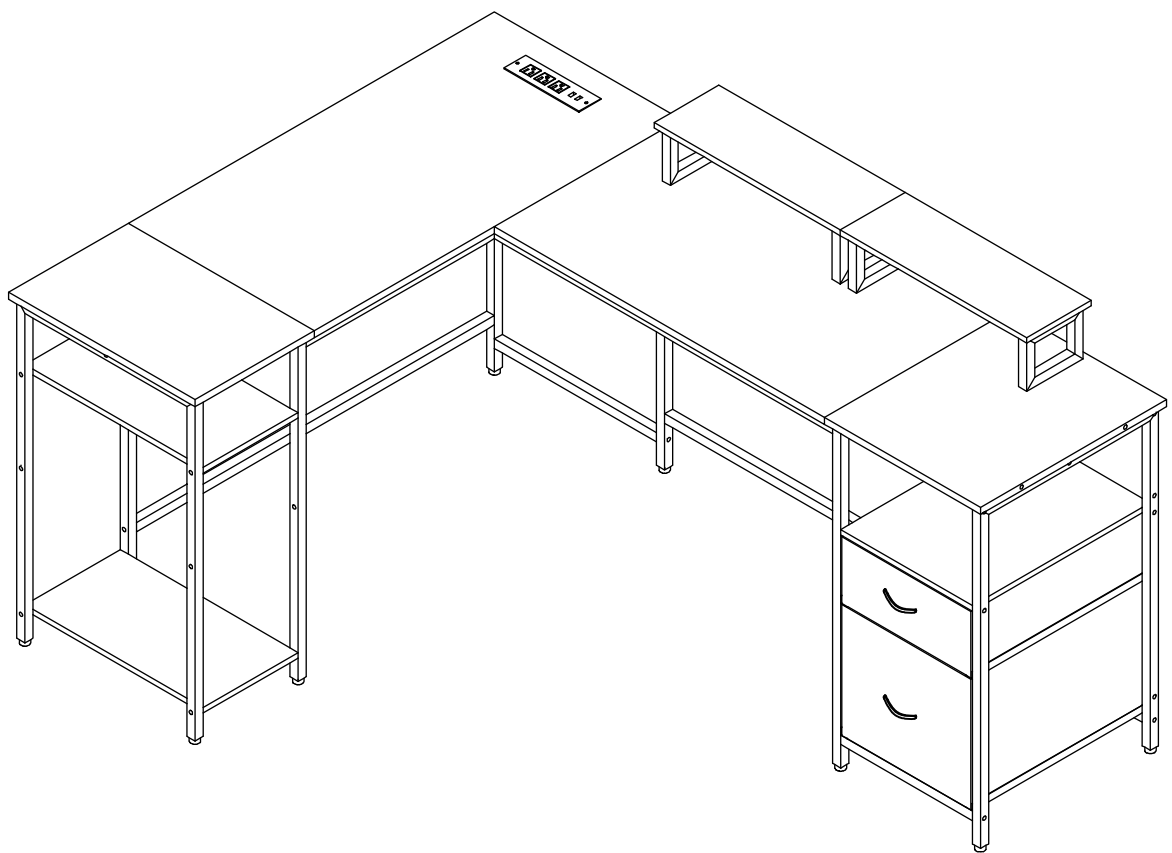
STEP 13

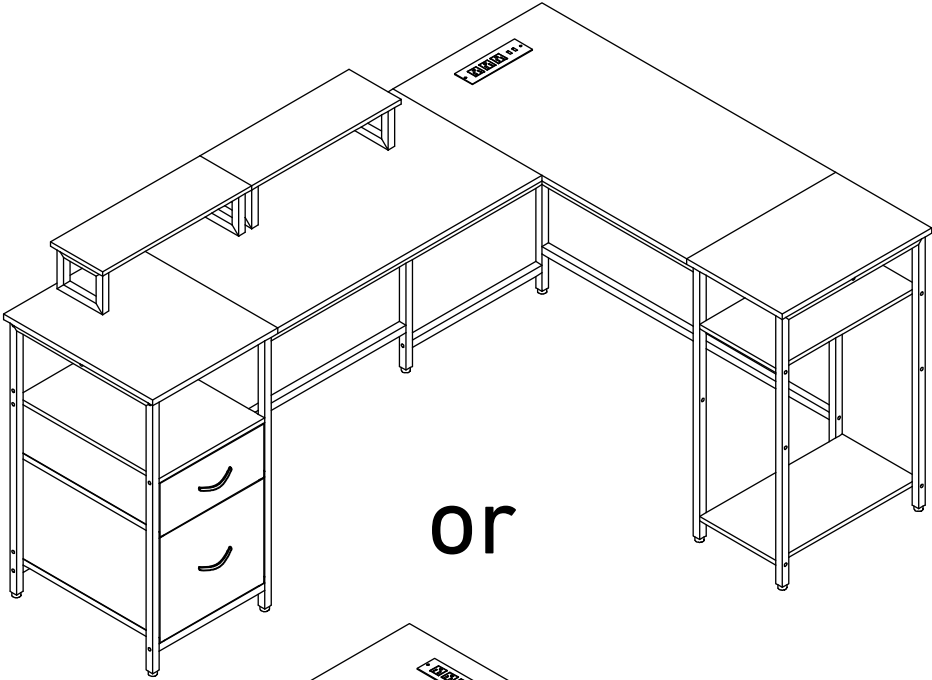


STEP 14

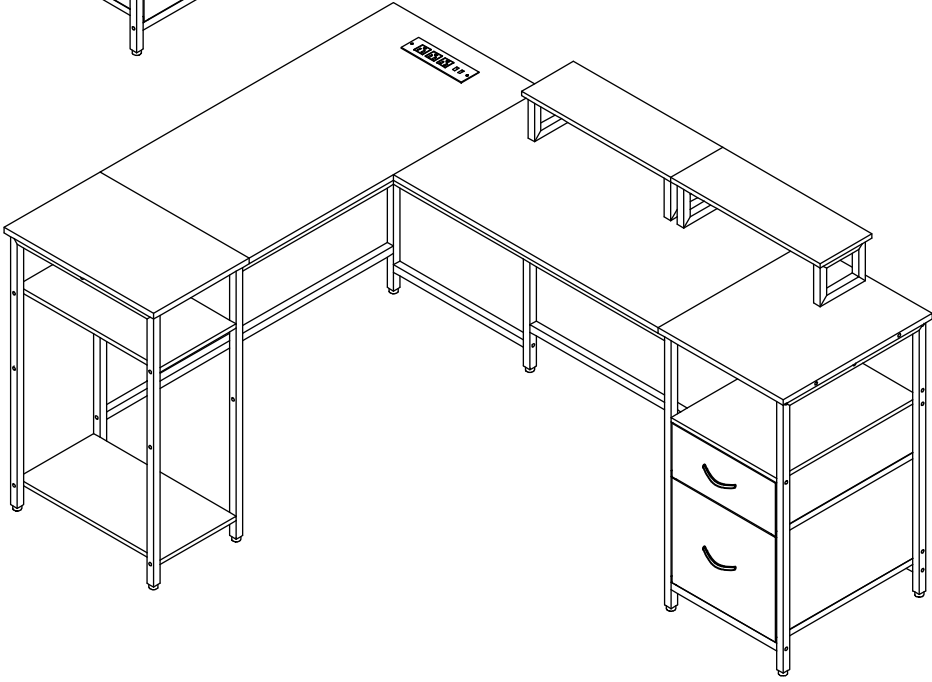


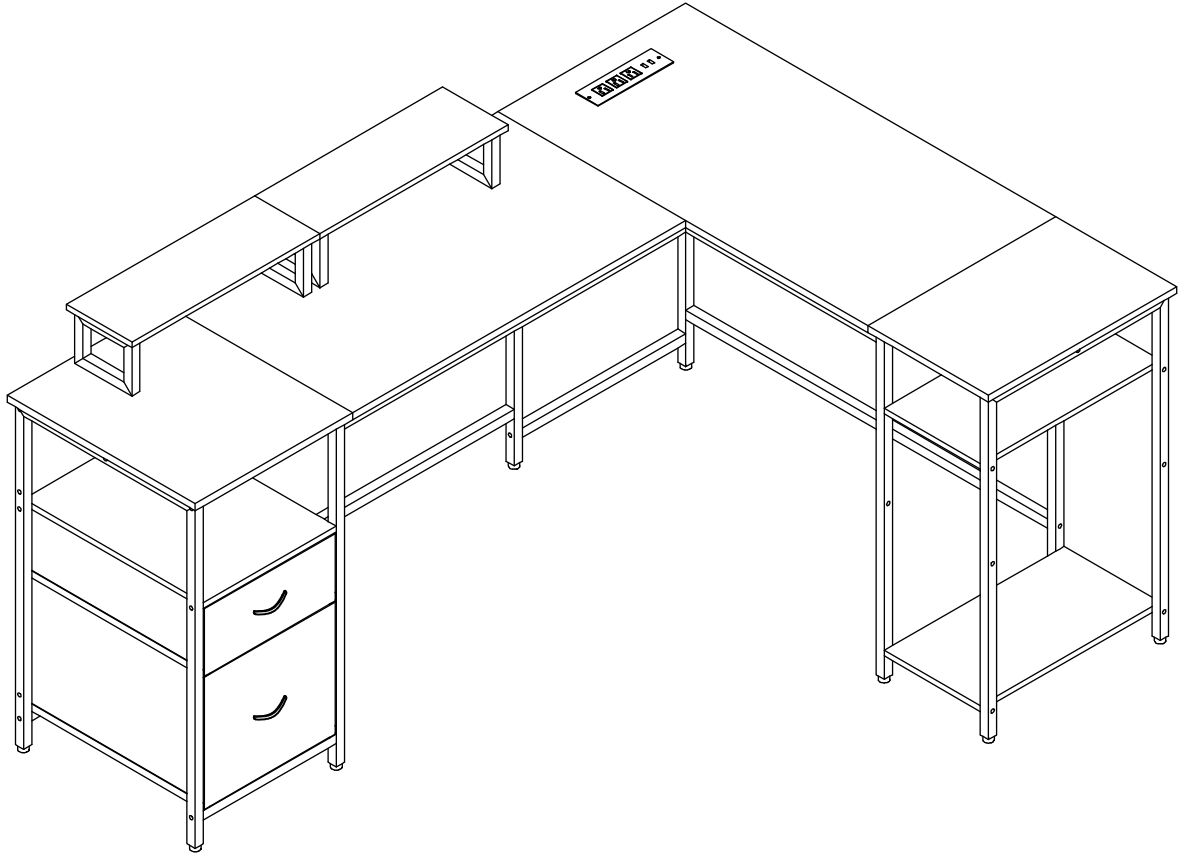
STEP 15





or





Thank you for choosing this product. We strive to provide you with the best quality products and service in the industry. Should you have any issues, please don't hesitate to contact us.