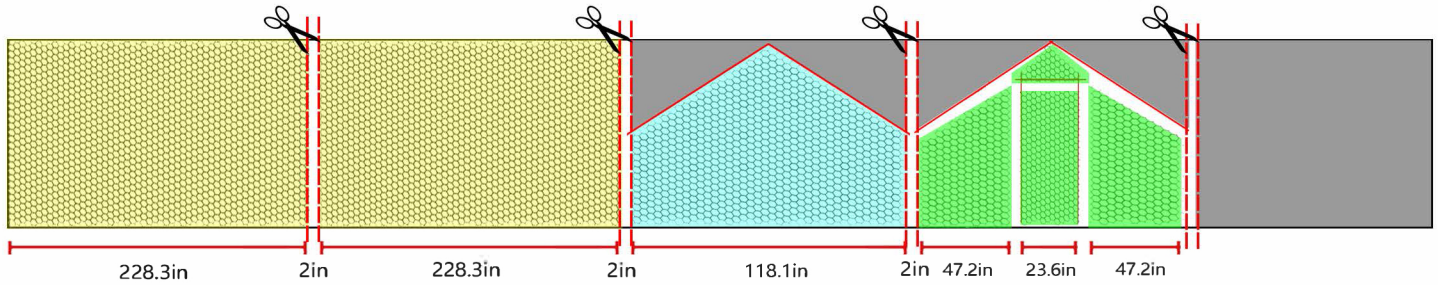


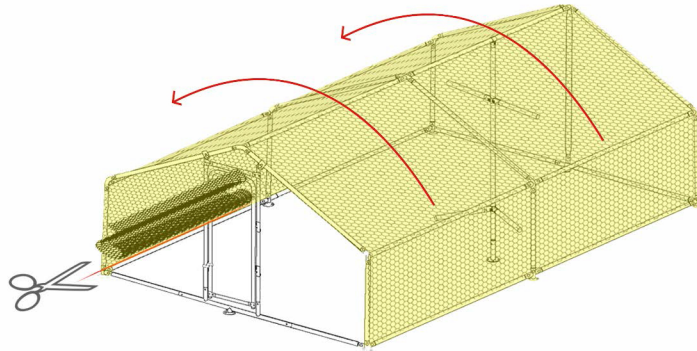
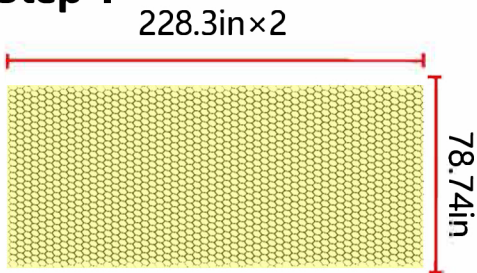
78.74inx787.4in barbed wire cutting picture



According to the chicken cage installation steps, the cutting parts are divided into three areas (yellow, blue, and green areas respectively). The cutting error range of each piece of net is 2 inches. (Warm reminder: Wear gloves when cutting to protect your hands from scratches.), please cut off the excess gray area.

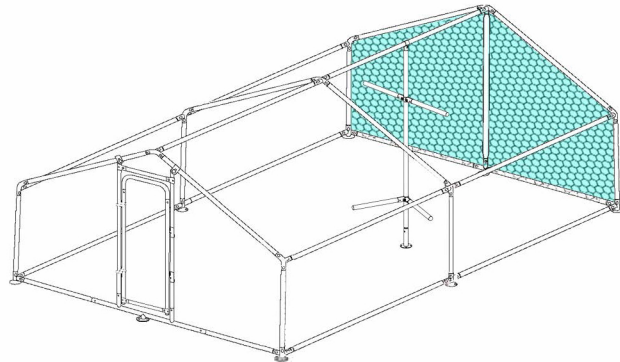
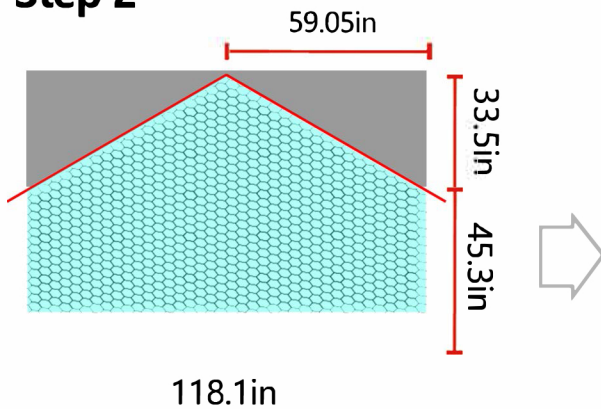
The picture below shows the installation part and the corresponding area.

Step 1



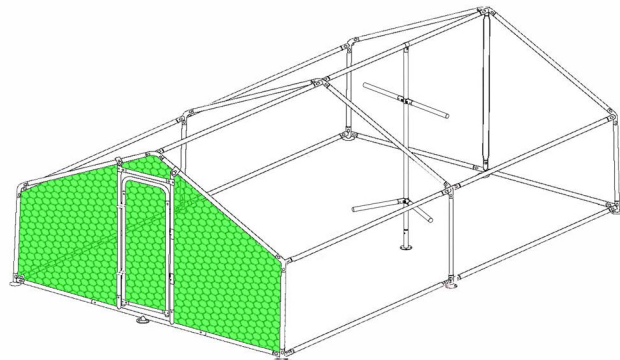
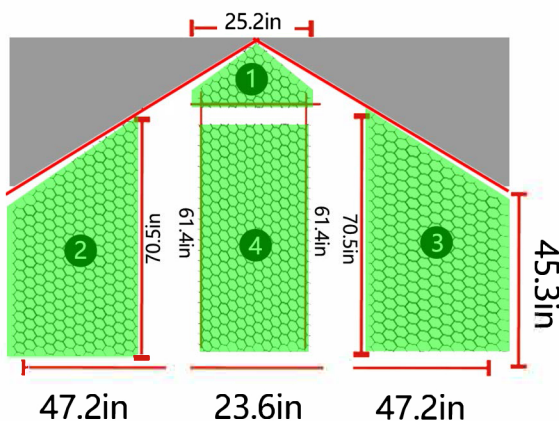
Place the 78.74-inch side at the bottom, unfold the corresponding yellow part upward and tile it to the opposite side, and tile the other 78.74-inch part to the yellow area next to it as above, and secure it with a cable tie.

Step 2



Use scissors to cut off the gray area, lay it flat to the corresponding blue area, and secure it with a cable tie.

Step 3



Use scissors to cut off the gray area, tile the corresponding part to the corresponding green area, and secure it with a cable tie.