

ASSEMBLY INSTRUCTIONS

TOOLS REQUIRED:

Allen wrench (Provided, part # D)
Phillips Screwdriver (not provided)

BEFORE YOU START:

1. Check the parts against the parts list to make sure all items are present.
2. Assemble your furniture on a soft, flat surface to avoid scratching the finish.
3. **CAUTION:** Do not over tighten screws, nuts or bolts during assembly.
4. Your furniture may require occasional tightening.

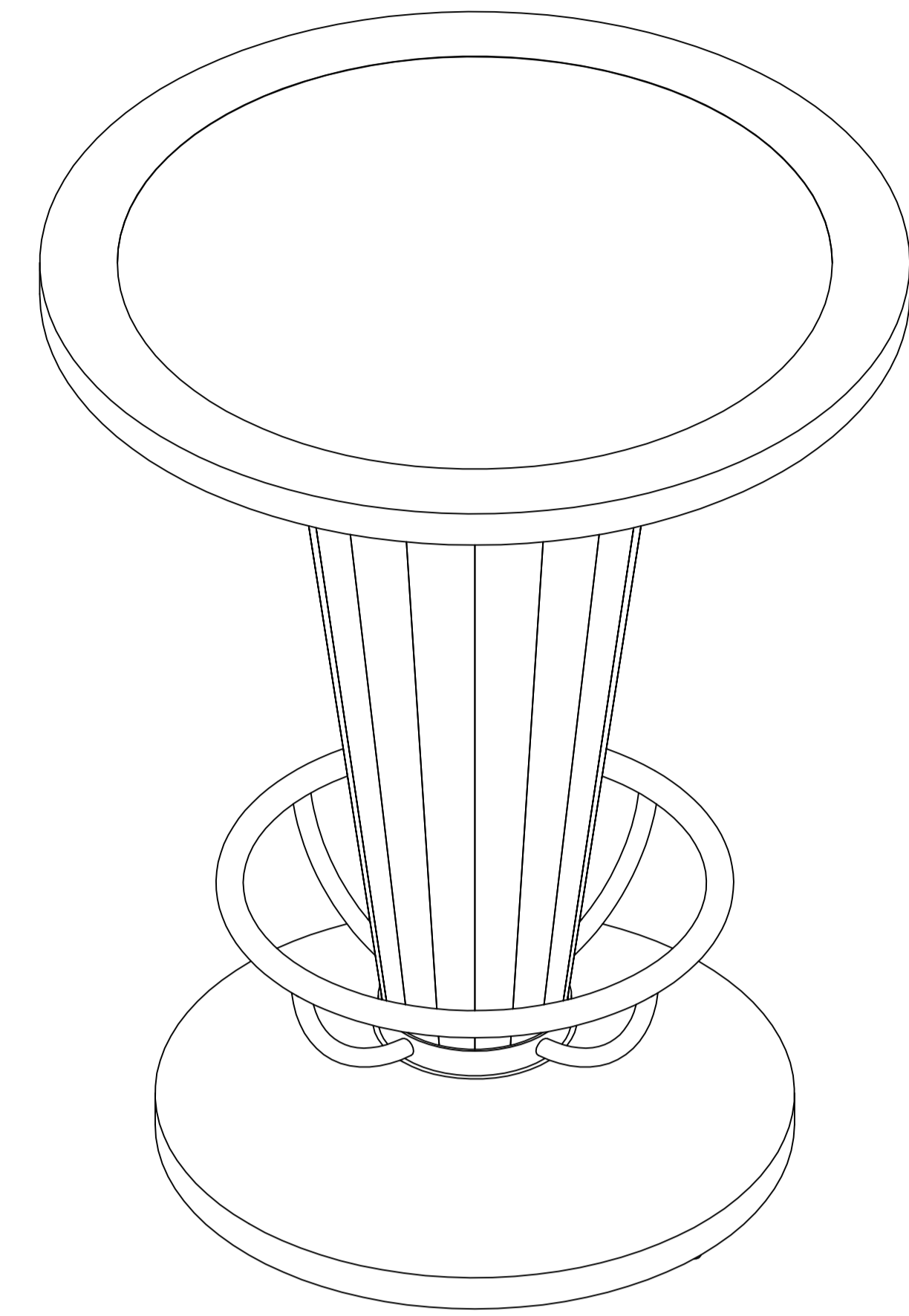
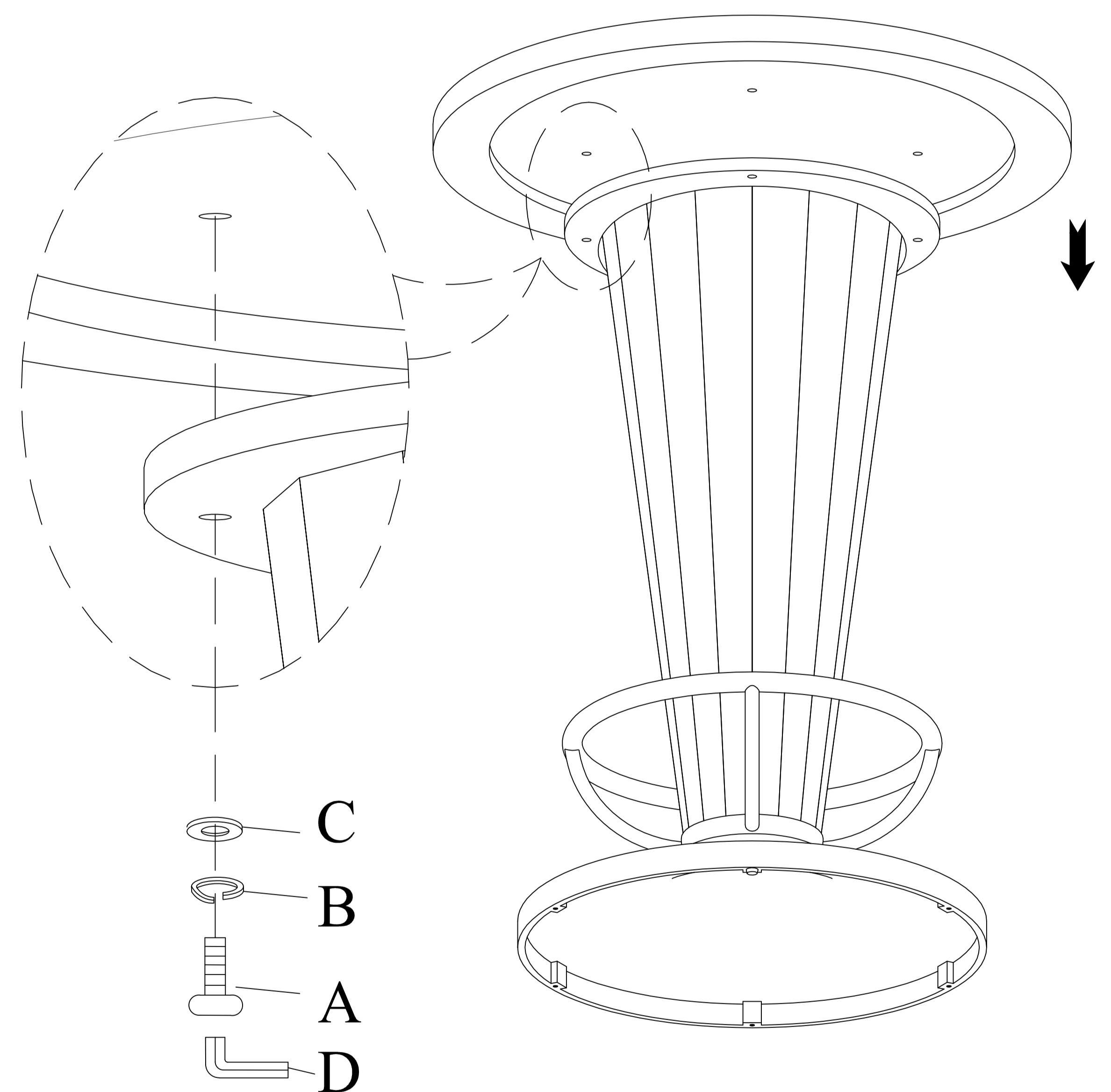
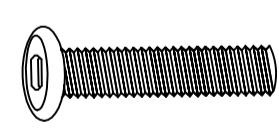
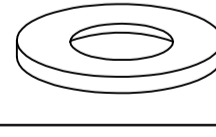


Fig.1

INSTRUCTIONS:

1. Attach the table top to the table base using bolt (A), lock washers (B) flat washers (C), and tighten with the Allen wrench (D) as shown Fig 1.



| No. | Hardware List | | Q'ty |
|-----|---|---------------------------|------|
| A |  | Bolt (Ø5/16"*1-3/8") | 4pcs |
| B |  | Lock Washer (Ø5/16") | 4pcs |
| C |  | Flat Washer (Ø5/16"x19mm) | 4pcs |
| D |  | Allen Wrench | 1pc |