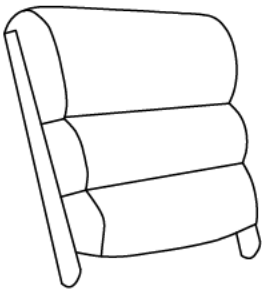


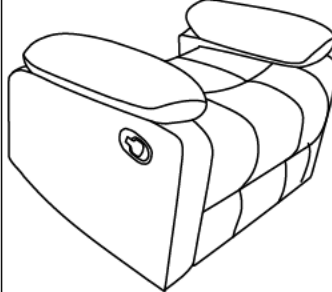


Assembly Instructions

Your recliner comes packaged in one box. Carefully remove all of components from the packaging and set aside for assembly.

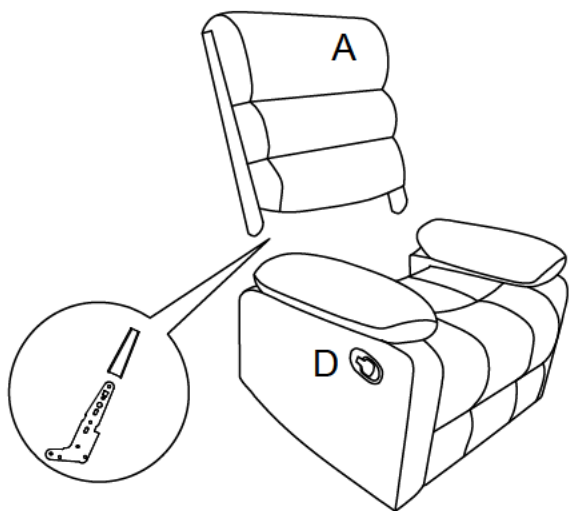
CAUTION:
DO NOT use any sharp objects to open plastic wrapped components as damage to product or components may result

Package Contents

			
A*1 Backrest	B*1 Left ear	C*1 Right ear	D*1 Seat body

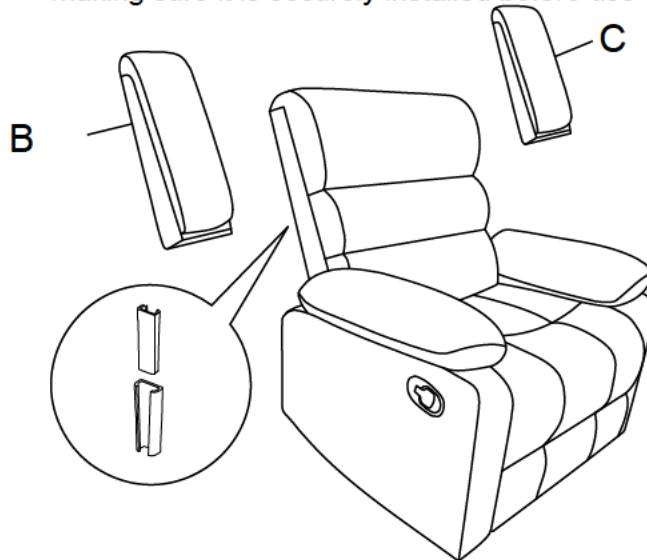
STEP 1

Attach **Backrest (A)** to the **Seat body (D)**.



STEP 2

Install the **Ears (B&C)** via aligning the metal grooves, making sure it is securely installed before use



: ATTENTION!!

Ensure the backrest is fully inserted to the bottom along the metal slot to avoid tilting or moving. And please not sit on the armrests for the user's safety.

Warnings

1. Please check if the components of the chair are all included and can be used normally.
2. Please DO NOT sit on the armrests and footrest to eliminate the risk of tipping over.
3. If the sofa is damaged or doesn't match the website product, please send clear pictures of the product and label of the carton to our service team, and we'll help you to solve the problem.
4. When you pull the switch loop open, but the footrest does not open, please check if the buckle line at the bottom of the sofa is loose.
 - ① Lay down the recliner chair. Find the buckle line which connects with the switch loop.
 - ② Put the buckle cable into the inner hole of the iron piece.
 - ③ Turn back the iron piece
5. If the chair still doesn't work, please feed the information back to the customer service in time. We will help solve the problem for you as soon as possible.

