

75 GALLON DECK BOX

ASSEMBLY INSTRUCTIONS



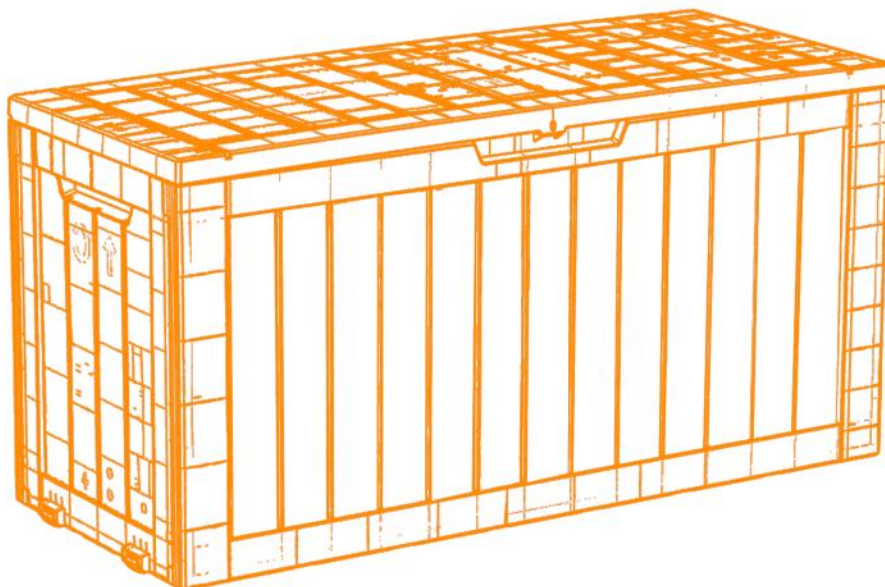
ROJIL

ASSEMBLY INSTRUCTIONS

- Item identification: For ease of identification, all parts are labeled to correspond to the step number in which the part is used.
 - Force is required for installation.
-

IMPORTANT CAUTION

- **Once the product is installed, it must not be disassembled. Please strictly follow each step in the assembly instructions!!!**
 - Check carefully that all parts are complete and in the correct quantity against the list of instructions. Pay attention to check whether the parts are damaged, deformed or surface defects, etc. If there is any problem, please contact customer service to solve the problem promptly.
 - Read the instruction manual carefully: Before you start assembling, make sure to read the assembly instruction manual carefully to understand every step and illustration. If there is something unclear in the instructions, you can contact the seller for a more detailed explanation.
 - Follow the correct assembly order: strictly follow the step-by-step order in the instructions, do not skip or change the steps arbitrarily. If you find a step difficult to complete during assembly, do not force the operation, but check whether there is any missing or wrong step.
 - Pay attention to the direction and position of parts: Each part has a specific mounting direction and position, which should be carefully confirmed during installation. Some parts may have markings or grooves that need to be accurately aligned with other parts to ensure accurate assembly.
-



PARTS LIST



Front Panel

A(x1)



Top Panel

J(x1)



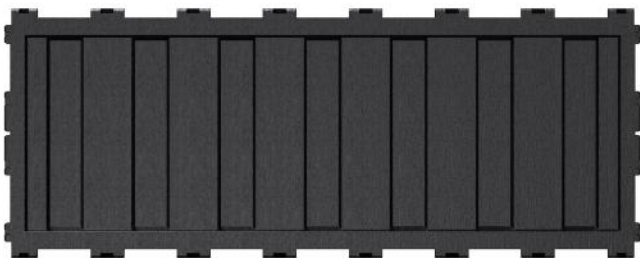
Back Panel

B(x1)



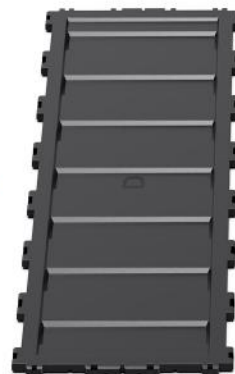
Side Panel

C(x2)

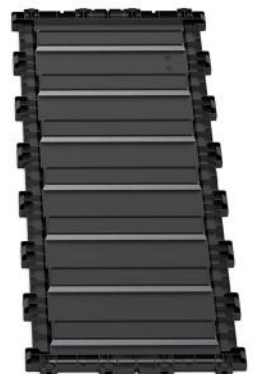


Bottom Panel

D(x1)



FRONT



BACK

Caution: The side of the D-panel containing the letter D is placed on the inside of the product.

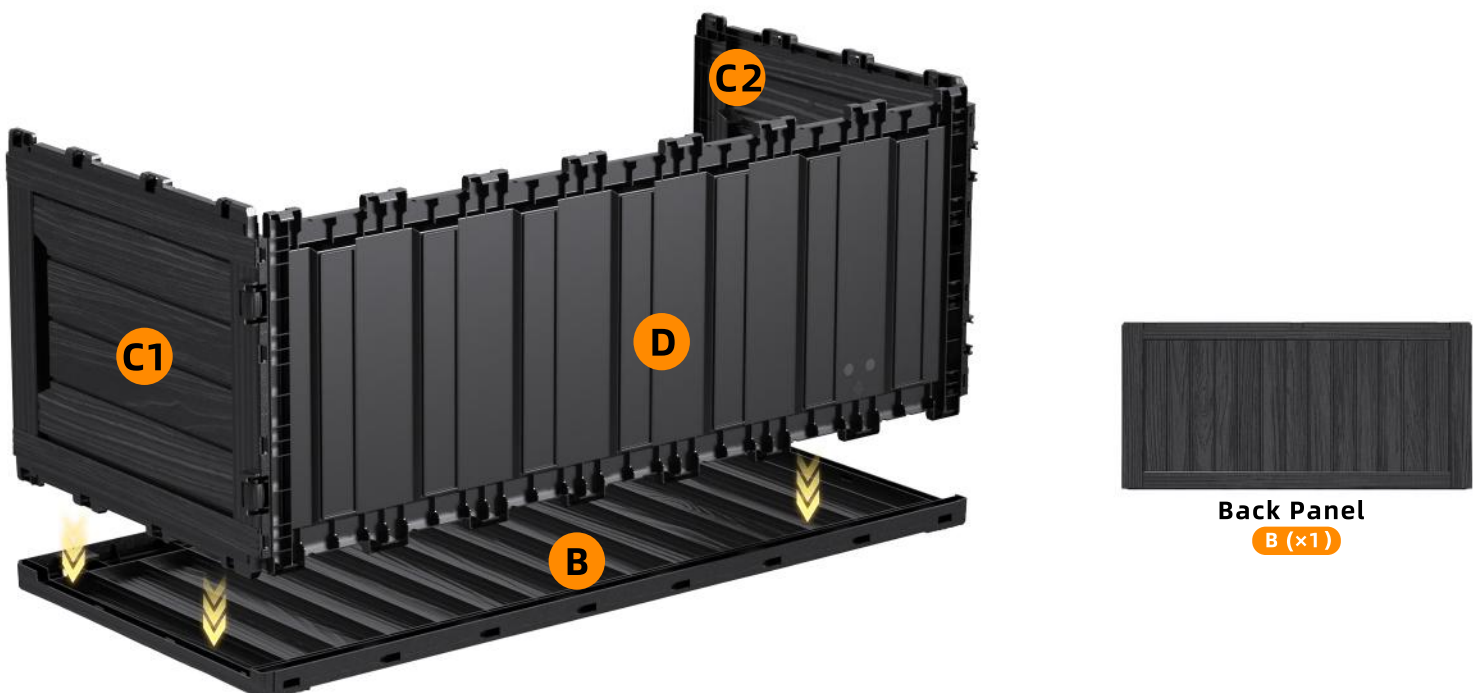
ASSEMBLY PRECAUTIONS

STEP 1: Note the directional labelling inside each panel. The rough side of the panel is near the ground and the smooth side is on the inside.



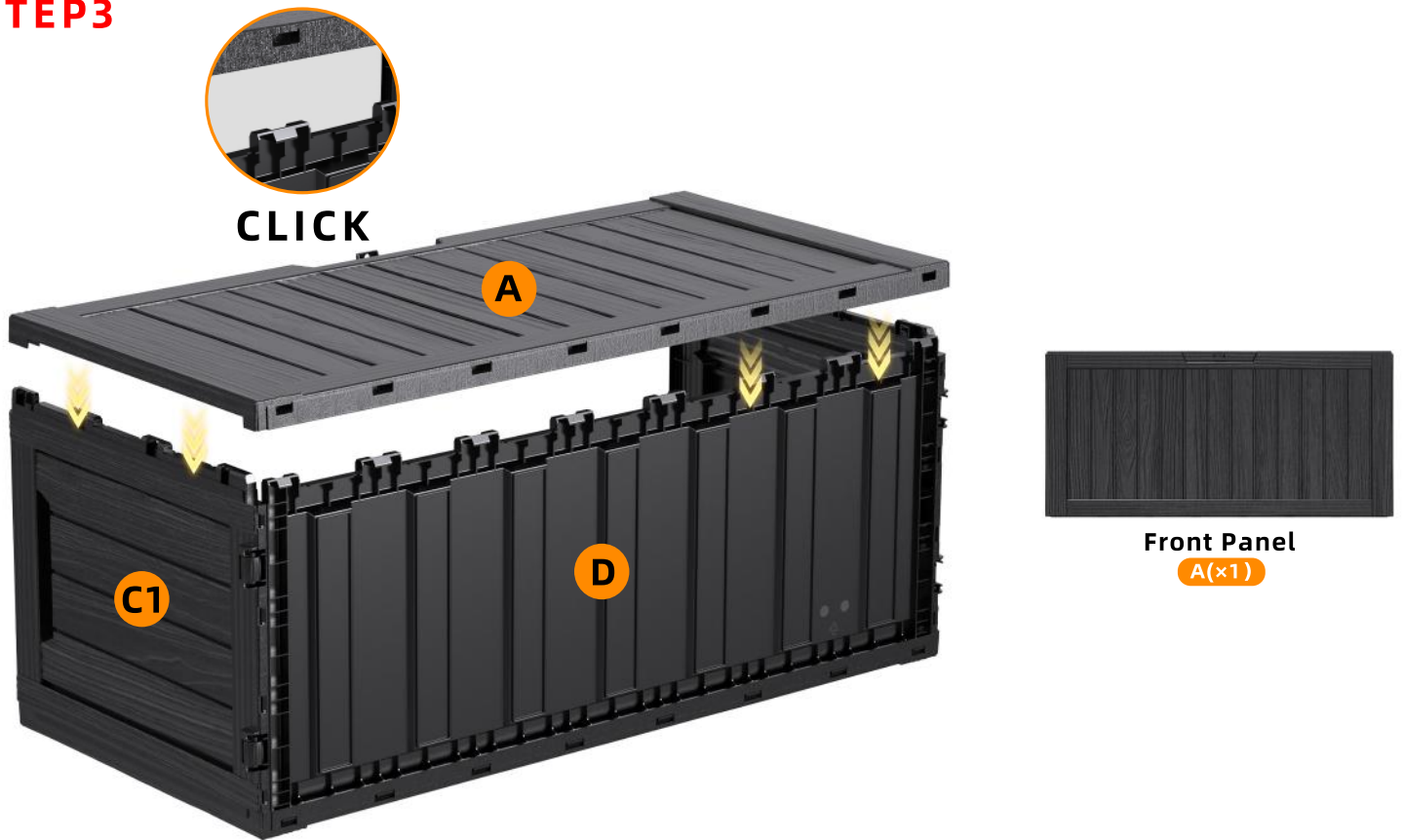
Caution: The side of the D-panel containing the letter D is placed on the inside of the product.

STEP 2: Carefully verify the splicing position between the individual panels to ensure they fit tightly and ensure structural stability.

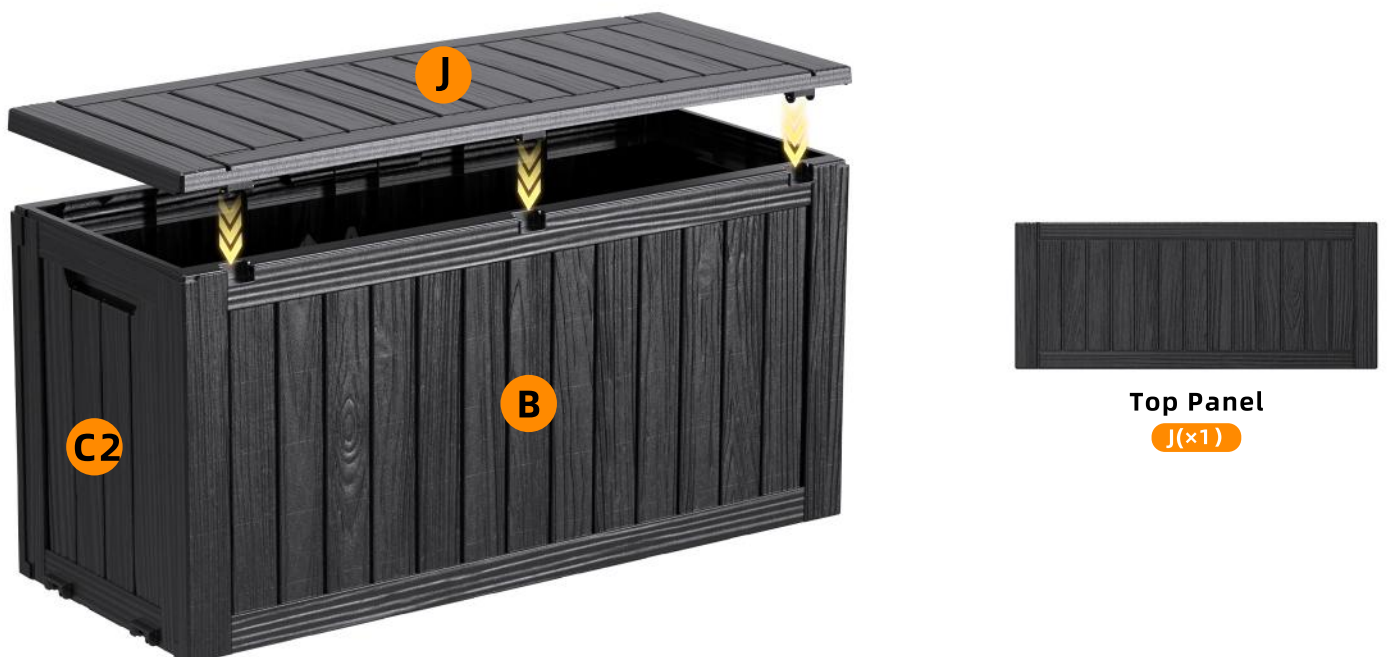


ASSEMBLY PRECAUTIONS

STEP 3



STEP 4: Check the assembly of the entire deck box to ensure that all panels are securely mounted and that there are no loose or oversized gaps.



R O J I R



75 GALLON DECK BOX

ASSEMBLY INSTRUCTIONS