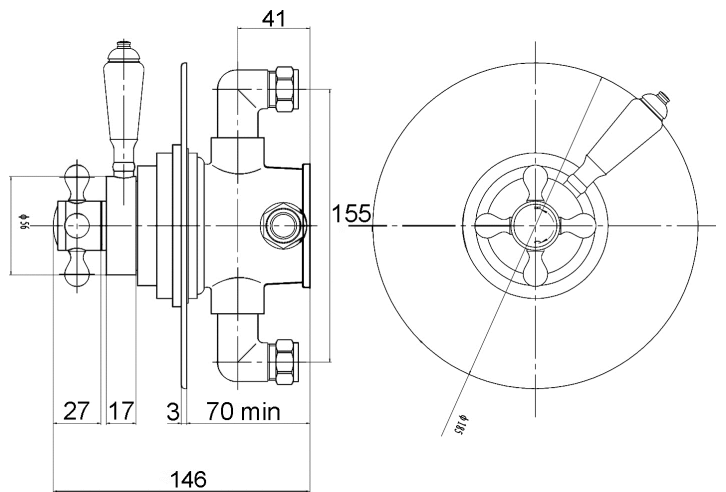


# CUSTOMER DATA SHEET - SHOWERS

**DESCRIPTION:** Traditional Concealed Dual Shower Valve



## PRODUCT DIMENSIONS

Length(mm)	Width (mm)	Height (mm)	Depth (mm)	Nett Wgt Kg
	185	196	146	3.28

## PACKAGING DIMENSIONS

Length (mm)	Width (mm)	Depth (mm)	Gross Wgt Kg
240	240	190	3.28

## PACKAGING DATA

Box Colour	White Cardboard Box		
Box Qty	3	Label Colour	White Label
Label Size	100 x 50	Label Qty	3

## OUTER BOX DIMENSIONS (If Applicable)

Length (mm)	Width (mm)	Height (mm)	Depth (mm)	Gross Wgt Kg
	500	410	265	

## PRODUCT DETAILS

Country of Origin	United Kingdom
Fitting Instruction	Yes
Product Material	Brass
Mount Type	Recessed
Outlet Elbow Supplied	No
Easy Clean	Not Applicable
Head Included	No
Handset Included	No
Body Jets Included	No
No of Body Jets	Not Applicable
Operating Pressure (bar)	0.1
Valve/Cartridge Type	1/4 Turn Ceramic Disc

Flow Rates (L/min)	0.1 bar	5.5	0.5 bar	14.5	1 bar	22	2 bar	30	3 bar	35
TMV2 Approved	No		Approval No.		N/A					
TMV3 Approved	No		Approval No.		N/A					
WRAS Approved	No		Approval No.		N/A					
Head Function	Not Applicable									
Handset Function	Not Applicable									
Body Jet Info	Not Applicable									
Pipe Size	15 mm (1/2" Bsp)									
Pipe Centres	150									
Colour/Finish	Chrome									
Hose Included	Not Applicable									