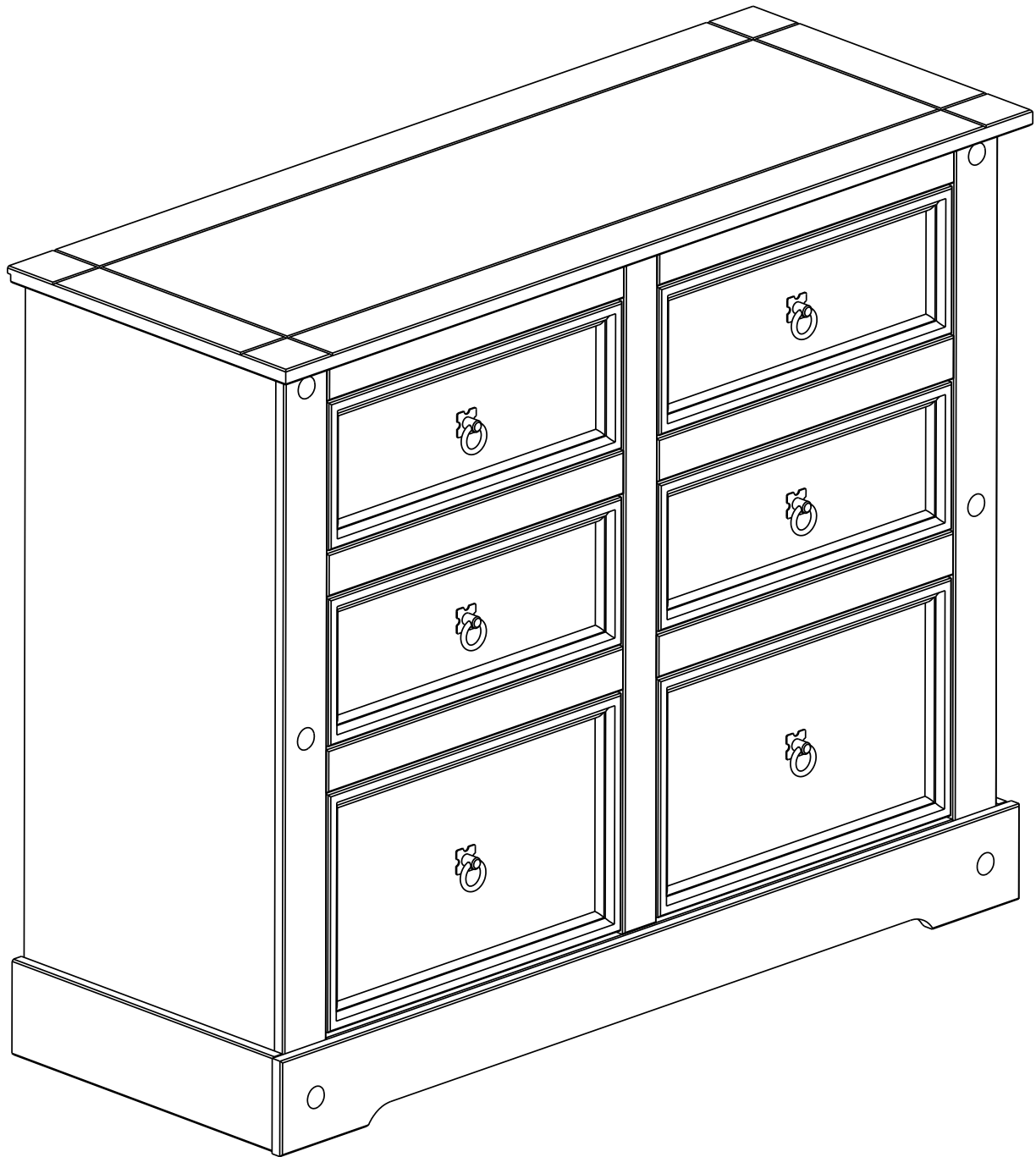


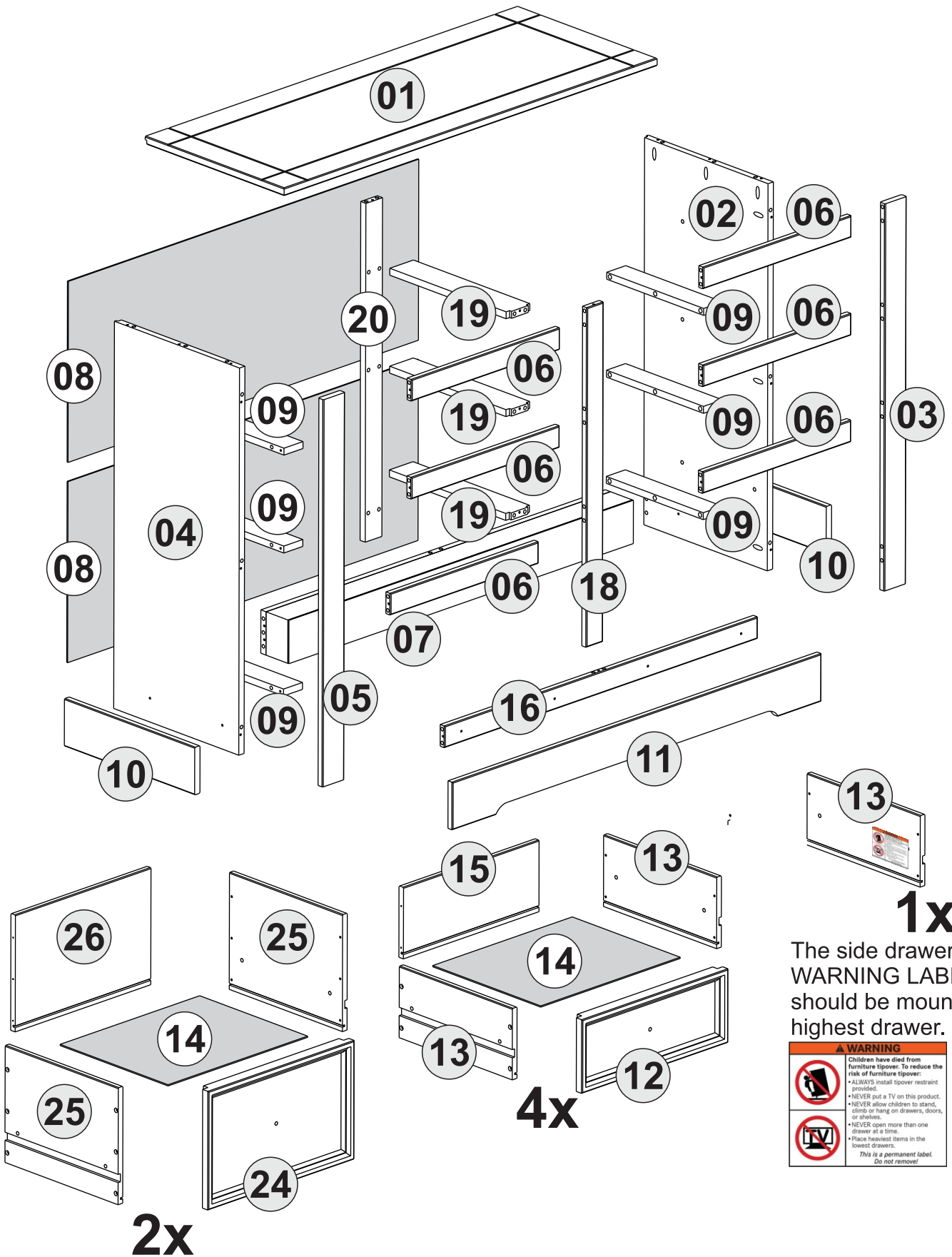
6 DRAWER CHEST

ASSEMBLY INSTRUCTIONS



IMPORTANT
PLEASE READ BEFORE YOU CONTINUE FURTHER
FOR DOMESTIC USE ONLY
CARE AND MAINTENANCE

- After unpacking this product please keep the original packaging in case it needs to be returned for any reason.
- Please ensure all fittings and parts are present before commencing with assembly.
- We recommend that you lay a blanket or sheet on the floor to avoid damage to both your floor and the product.
- We strongly recommend that you keep children away from your work area.
- Assemble this product as close to its final position as possible
- Never drag or push products as this could cause damage to the joints making it inferior.
- Do not drag or push items across your furniture as this may cause the surface to scratch.
- Do not place this product next to radiator or in direct sunlight.
- Wood is a natural product and may expand if subjected to damp and may shrink or crack if subjected to heat. Therefore it is recommended that room temperature is maintained, with no sudden temperature fluctuations.
- Make sure any spillage is Wiped off immediately.
- Do not place hot or chilled items directly on to the surface, use a place mat or marking will occur.
- For general cleaning use soft cotton or micro fibre cloth and do not use detergents of any kind.
- Do not place on a wet or damp floor as staining may occur to your floor.
- From time to time it may be necessary to tighten fittings, regular inspections should be carried out.



The side drawer with WARNING LABEL, should be mounted in highest drawer.

▲ WARNING

Children have died from furniture tipover. To reduce the risk of furniture tipover:

- ALWAYS install tipover restraint provided.
- NEVER put a TV on this product.
- NEVER allow children to stand, climb or hang on drawers, doors, or shelves.
- NEVER open more than one drawer at a time.
- Place heaviest items in the lowest drawers.

This is a permanent label. Do not remove!

Please Note:

The parts below have been stamped with the part number/color to help identify them during assembly

PARTS LIST

Part Number	Part Description	Quantity	Carton
01	Top Panel	1	1/1
02	Right Side Panel	1	1/1
03	Right Front Upright	1	1/1
04	Left Side Panel	1	1/1
05	Left Front Upright	1	1/1
06	Front Crossbeam Short	6	1/1
07	Back Crossbeam	1	1/1
08	Back Panel	2	1/1
09	Drawer Runner	6	1/1
10	Side Foot	2	1/1
11	Front Foot	1	1/1
12	Narrow Drawer Front	4	1/1
13	Narrow Drawer Side	8	1/1
14	Drawer Bottom	6	1/1
15	Narrow Drawer Back	4	1/1
16	Vertical Front Crossbeam Lower	1	1/1
18	Front Vertical Crossbeam	1	1/1
19	Central Drawer Runner	3	1/1
20	Back Vertical Crossbeam	1	1/1
24	Wide drawer front	2	1/1
25	Wide Drawer Side	4	1/1
26	Wide Drawer Back	2	1/1

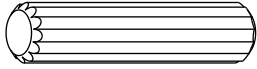



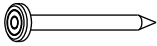
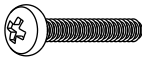
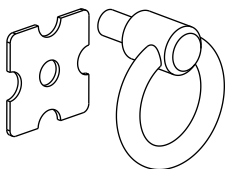
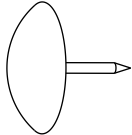
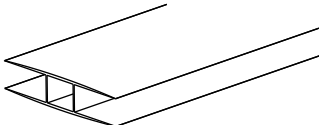

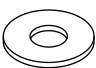


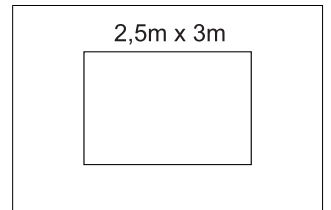
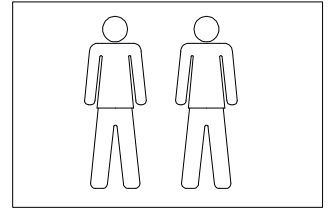
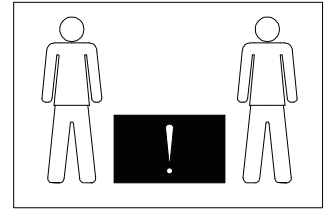
* Use of power tools to assemble this product will invalidate any claim and damage this product making it unsafe !!!
* Please assemble on a clean soft surface to avoid damage.



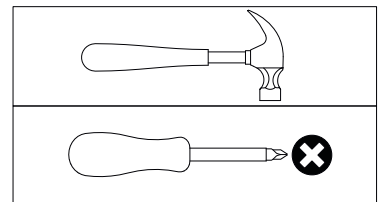
* Please check contents and read the instructions before commencing assembly.
* Assemble this product following the enclosed instructions carefully.
* Please take care to avoid damaging panels during assembly.

FITTINGS

A	 Ø8 x 30mm	88
B	 Ø3,5 x 30mm	47
C	 Ø3,0 x 30mm	56
D	 Ø4,0 x 40mm	20
E	 8 x 8mm	30
F	 3/16 x 5/8	06
G		06
H		06
I	 1032mm	01
K	 Strap	01
	 Washer	02

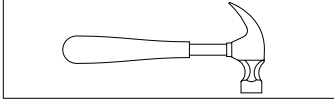


TOOLS REQUIRED



STEP 1

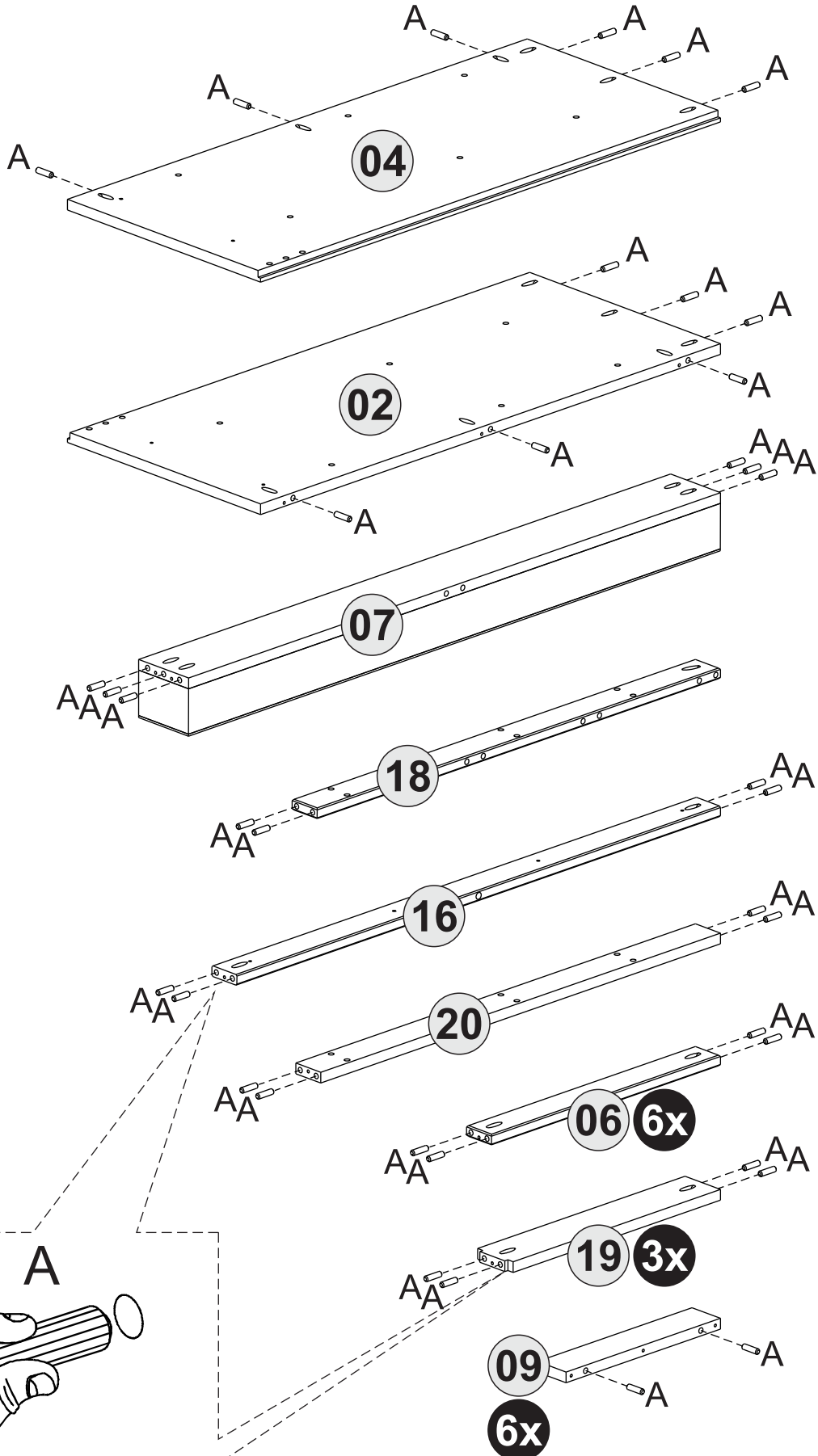
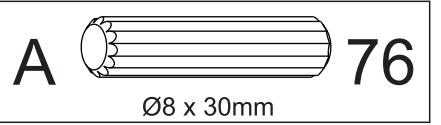
TOOLS REQUIRED



PARTS REQUIRED

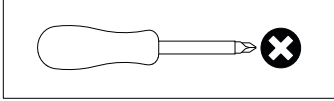
02 - RIGHT SIDE PANEL	x1	16 - VERTICAL FRONT CROSSBEAM LOWER	x1
04 - LEFT SIDE PANEL	x1	18 - FRONT VERTICAL CROSSBEAM	x1
06 - FRONT CROSSBEAM SHORT	x6	19 - CENTRAL DRAWER RUNNER	x3
07 - BACK CROSSBEAM	x1	20 - BACK VERTICAL CROSSBEAM	x1
09 - DRAWER RUNNER	x6		

HARDWARE REQUIRED



STEP 2



TOOLS REQUIRED

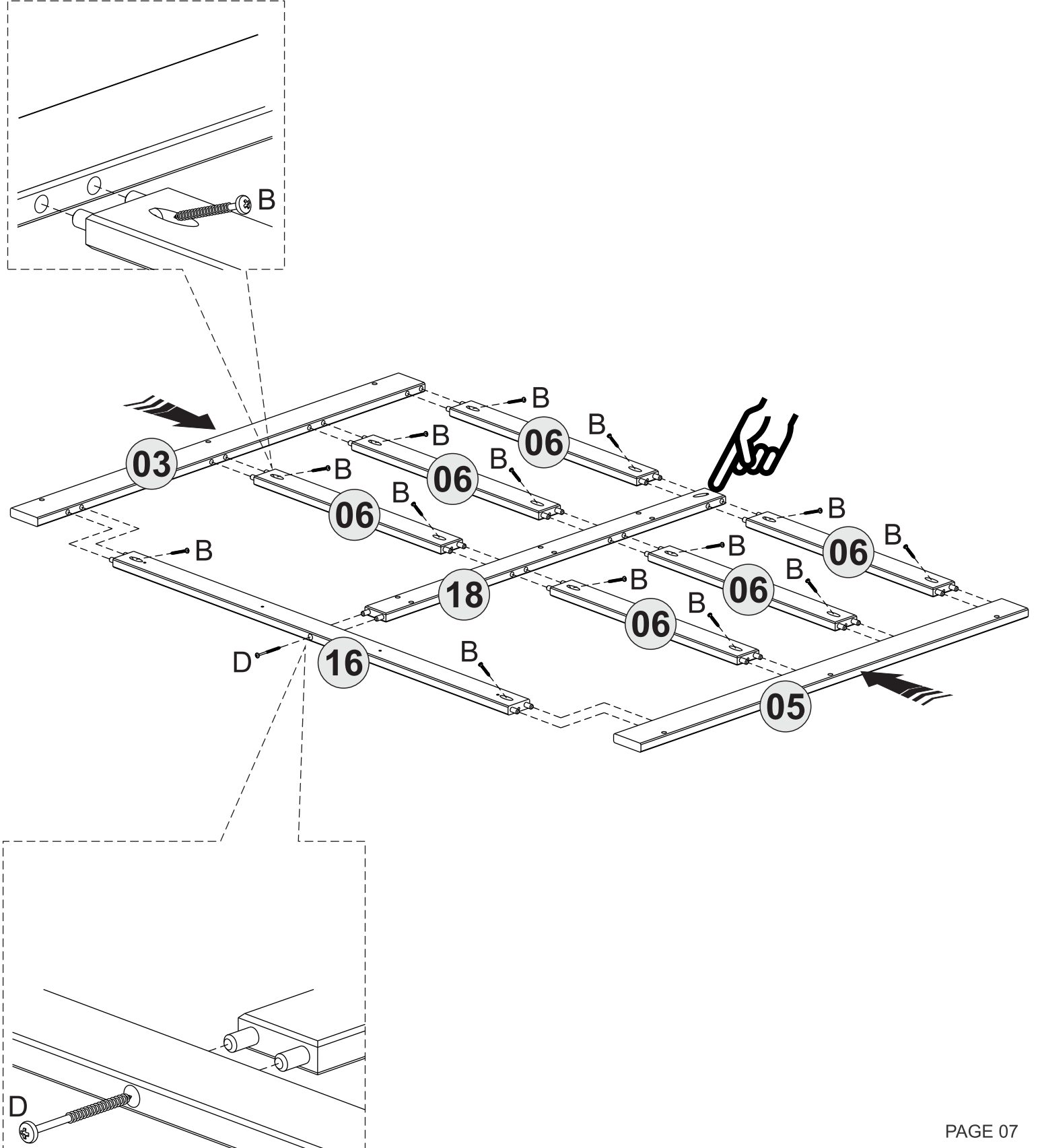


PARTS REQUIRED

- 3 - RIGHT FRONT UPRIGHT **x1**
- 5 - LEFT FRONT UPRIGHT **x1**
- 6 - FRONT CROSSBEAM SHORT **x6**
- 16 - VERTICAL FRONT CROSSBEAM LOWER **x1**
- 18 - FRONT VERTICAL CROSSBEAM **x1**

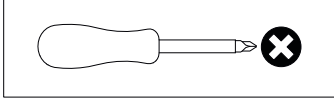
HARDWARE REQUIRED

- B**  **14**
Ø3,5 x 30mm
- D**  **01**
Ø4,0 x 40mm



STEP 3

TOOLS REQUIRED

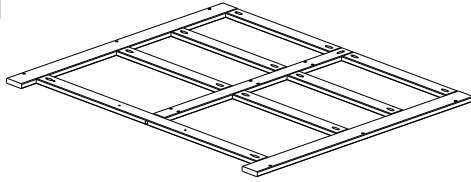


PARTS REQUIRED


2 - RIGHT SIDE PANEL **x1**

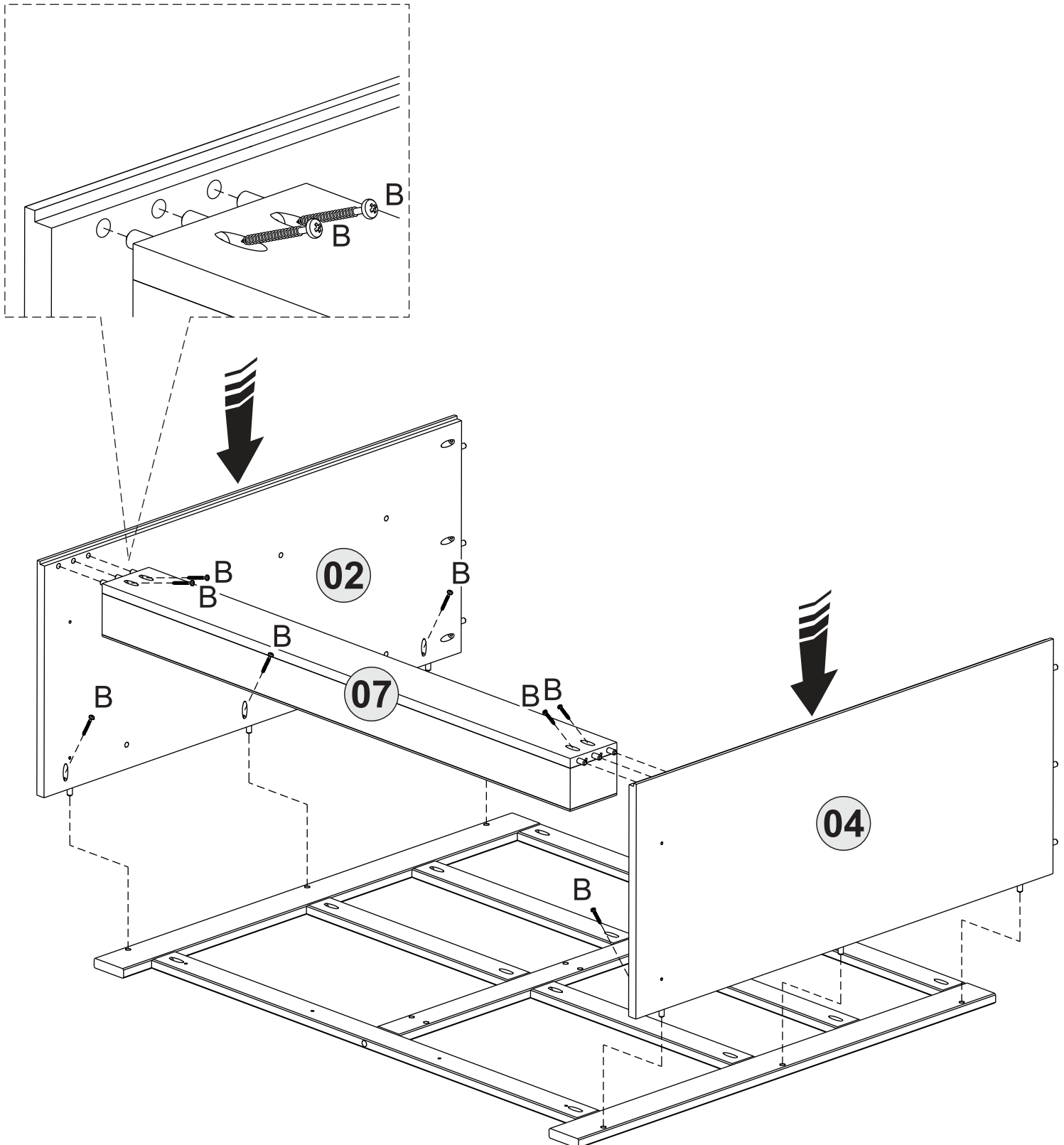
4 - LEFT SIDE PANEL **x1**

7 - BACK CROSSBEAM **x1**



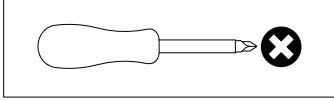
HARDWARE REQUIRED

B  **10**
Ø3,5 x 30mm



STEP 4

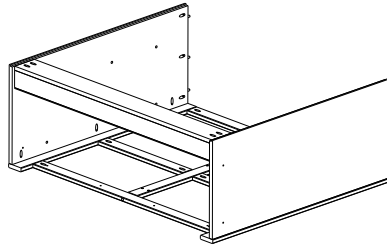
TOOLS REQUIRED




PARTS REQUIRED


19 - CENTRAL DRAWER RUNNER **x3**

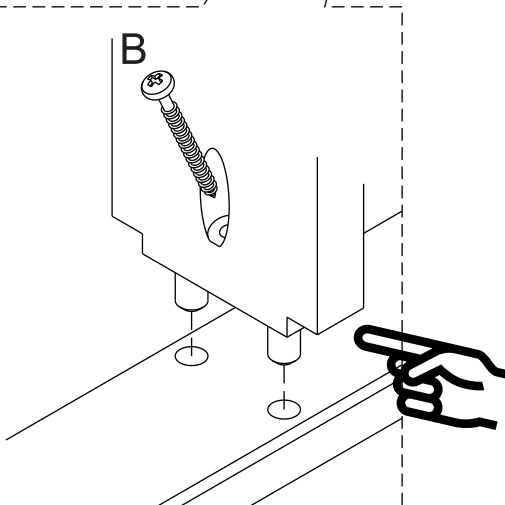
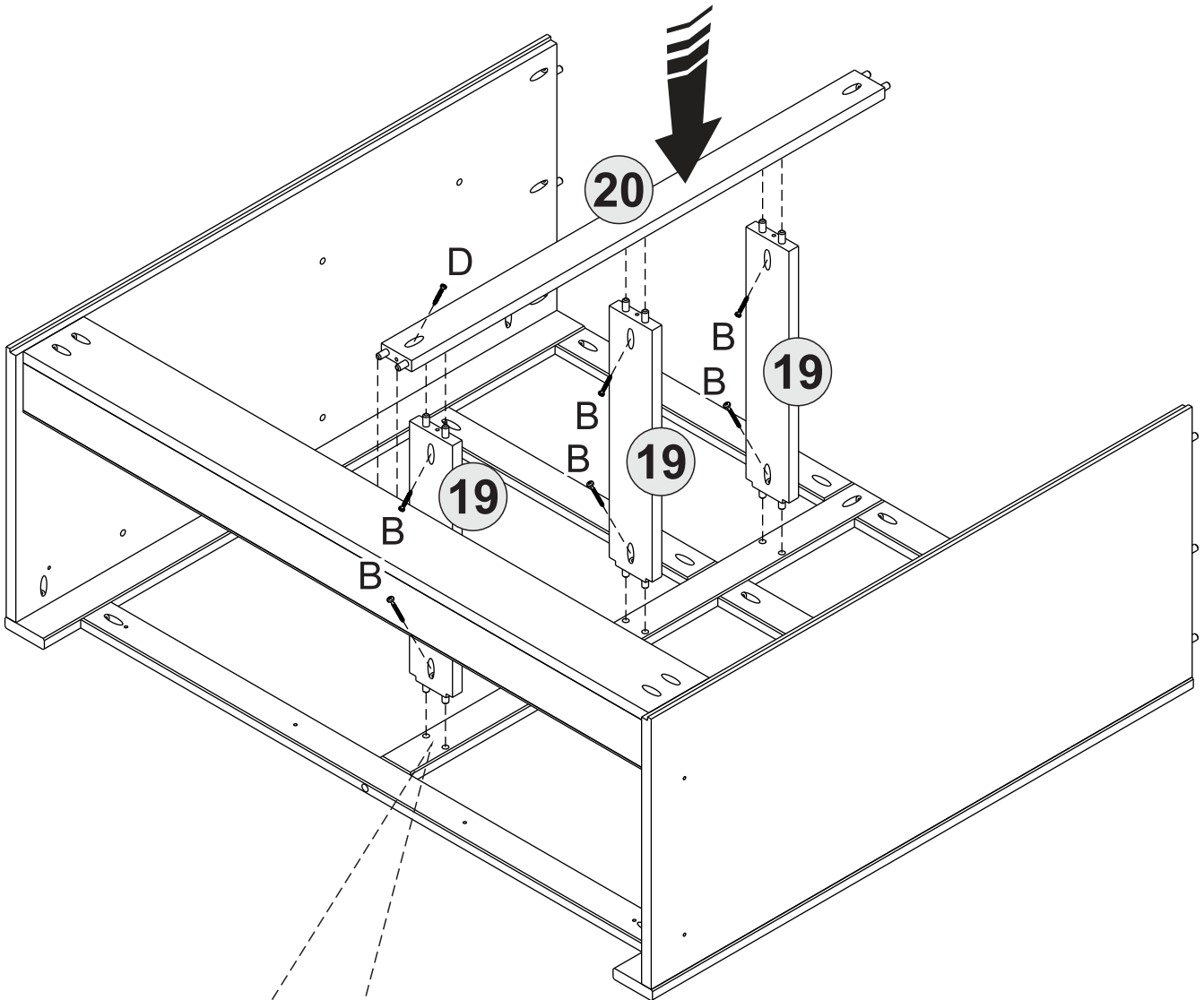
20 - BACK VERTICAL CROSSBEAM **x1**



HARDWARE REQUIRED

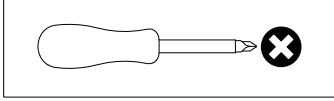
B  **06**
Ø3,5 x 30mm

D  **01**
Ø4,0 x 40mm



STEP 5

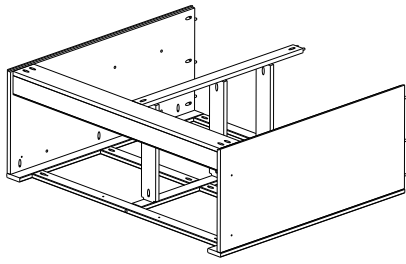
TOOLS REQUIRED



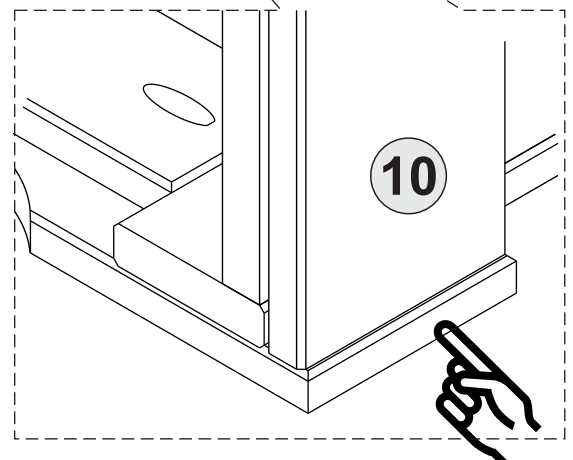
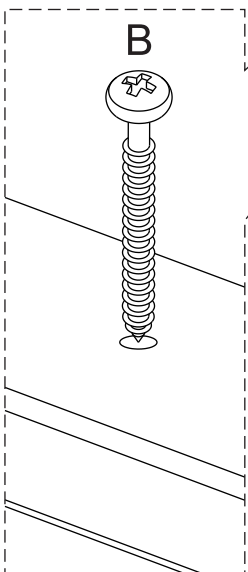
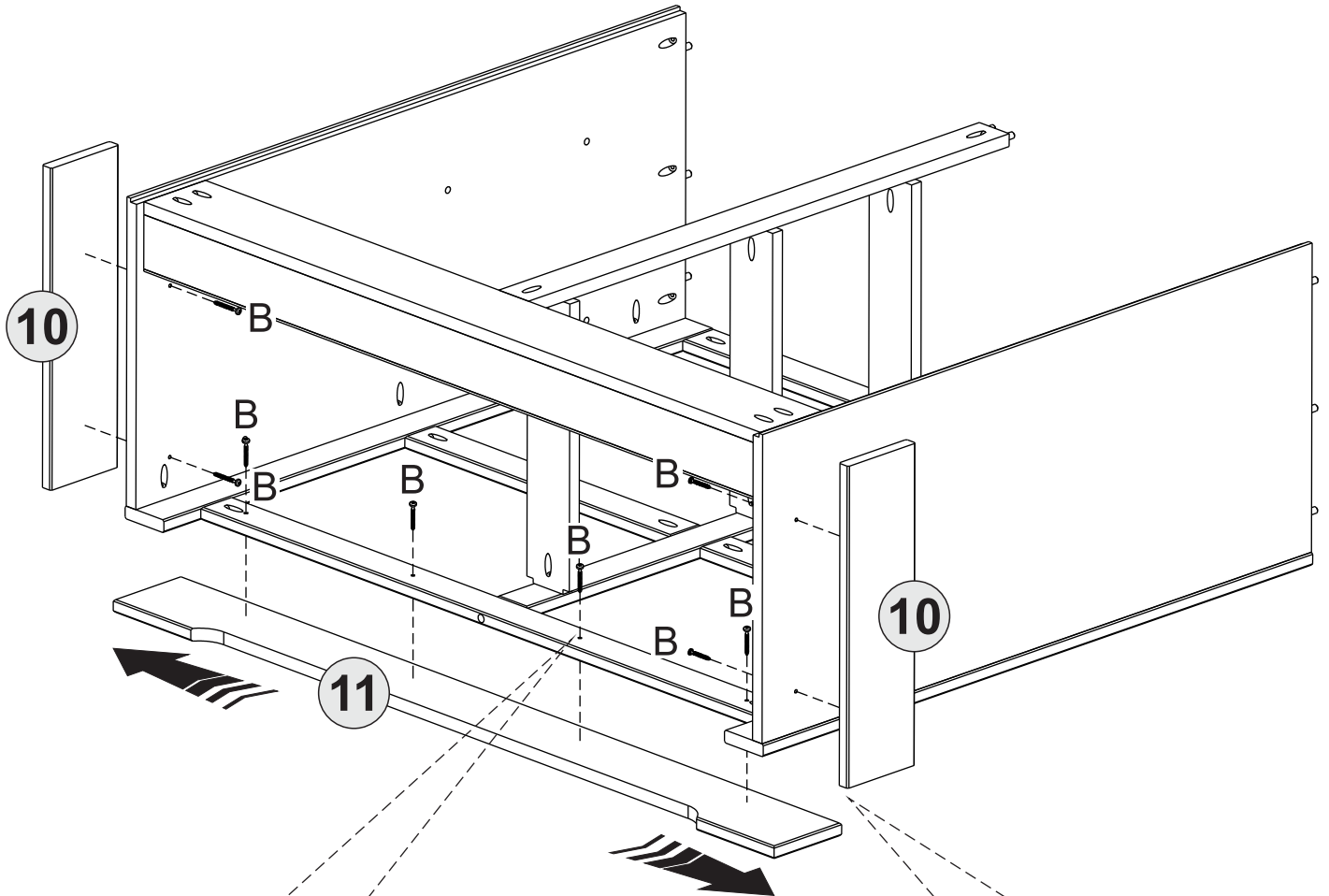
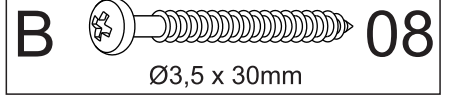
PARTS REQUIRED

10 - SIDE FOOT x2

11 - FRONT FOOT x1



HARDWARE REQUIRED




STEP 6

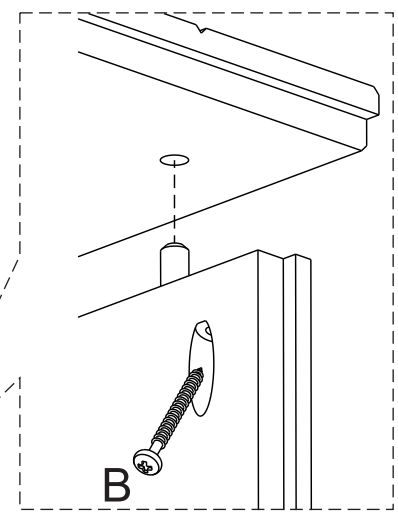
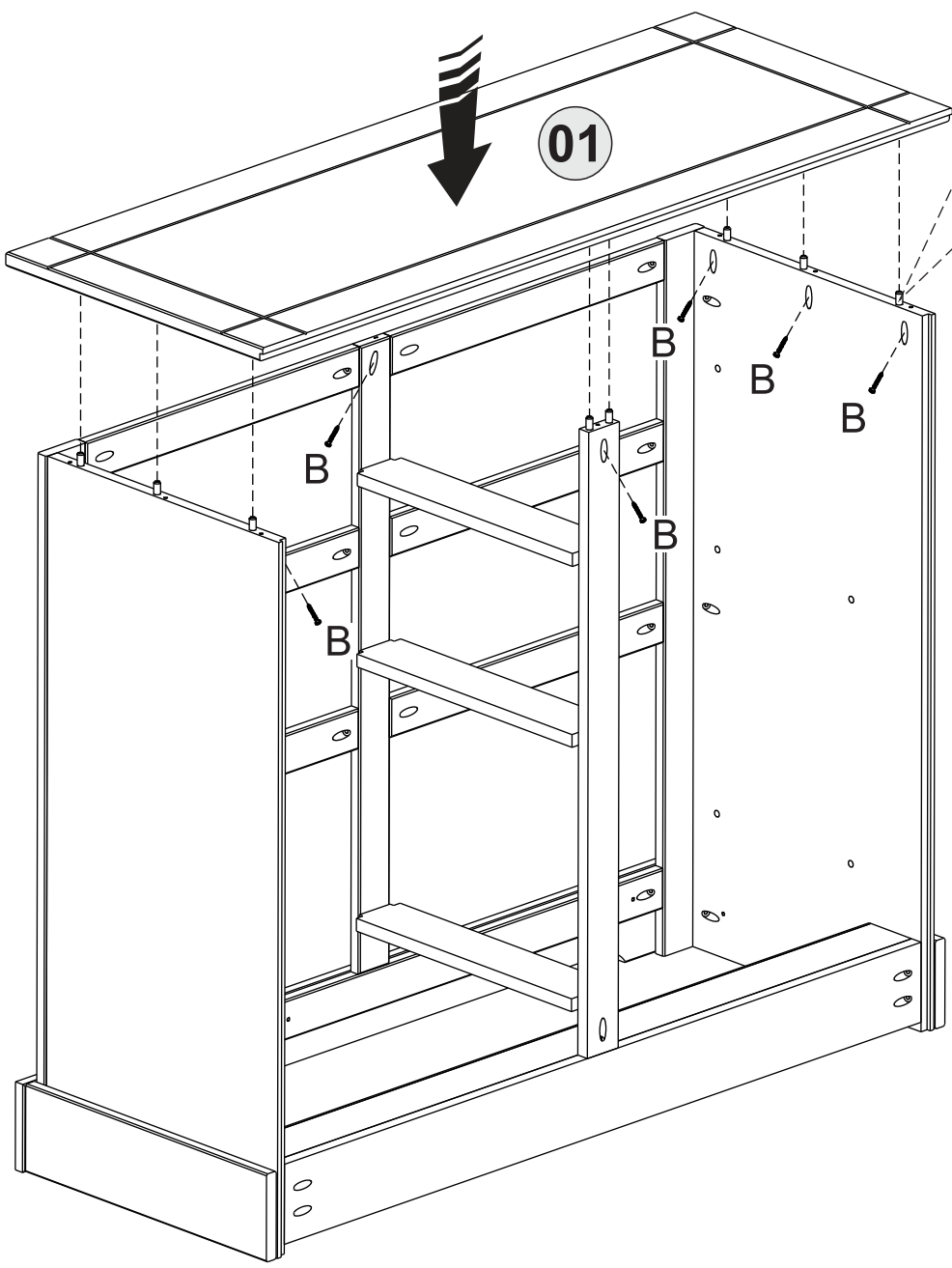
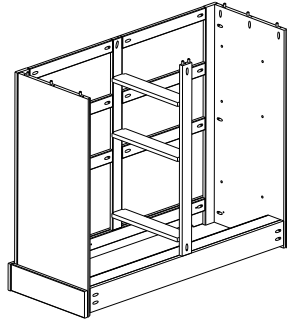
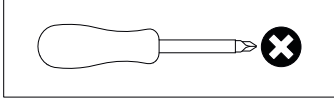
PARTS REQUIRED

1 - TOP PANEL **x1**

HARDWARE REQUIRED

B  **08**
Ø3,5 x 30mm

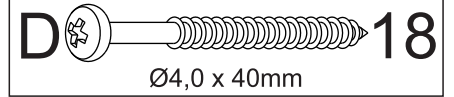
TOOLS REQUIRED



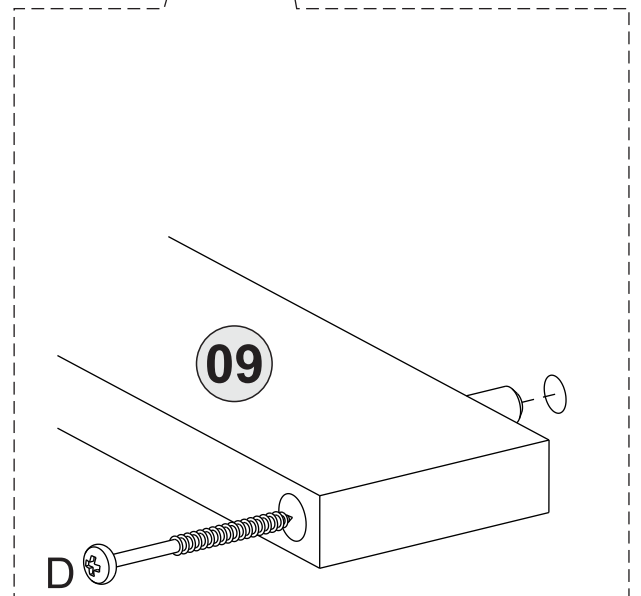
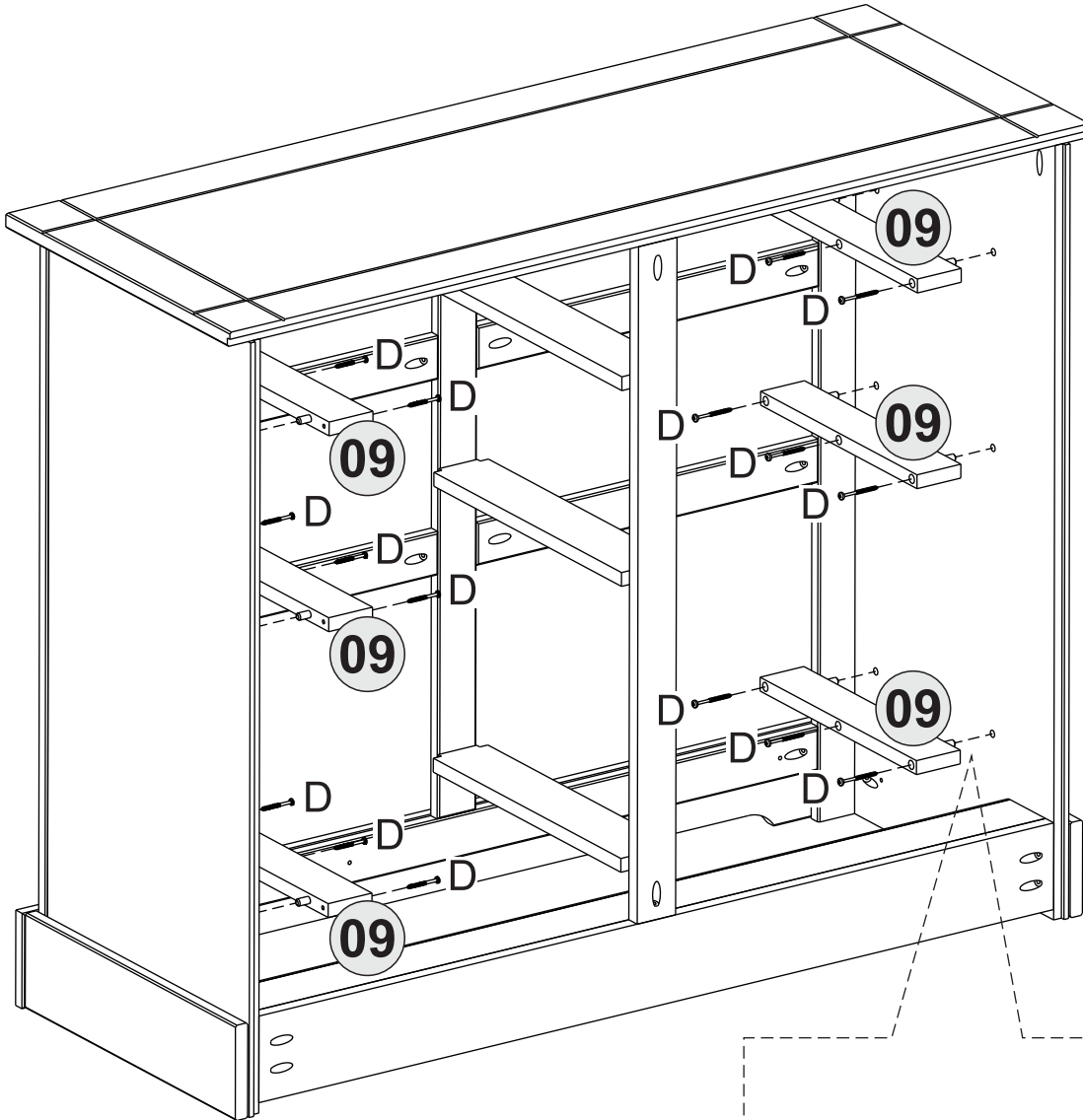
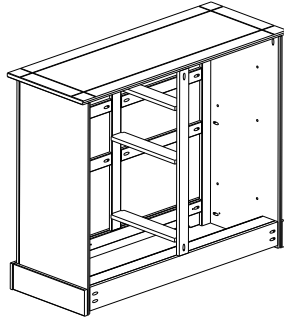
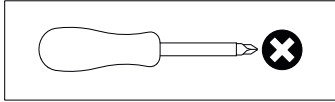
STEP 7

PARTS REQUIRED
9 - DRAWER RUNNER x6

HARDWARE REQUIRED



TOOLS REQUIRED

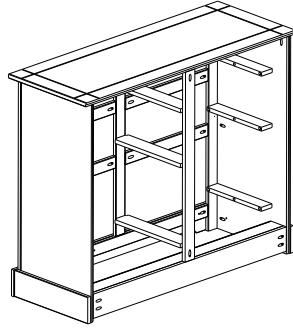
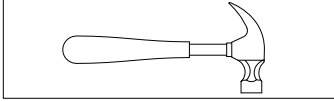


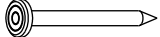
STEP 8


PARTS REQUIRED
8 - BACK PANEL x2

HARDWARE REQUIRED

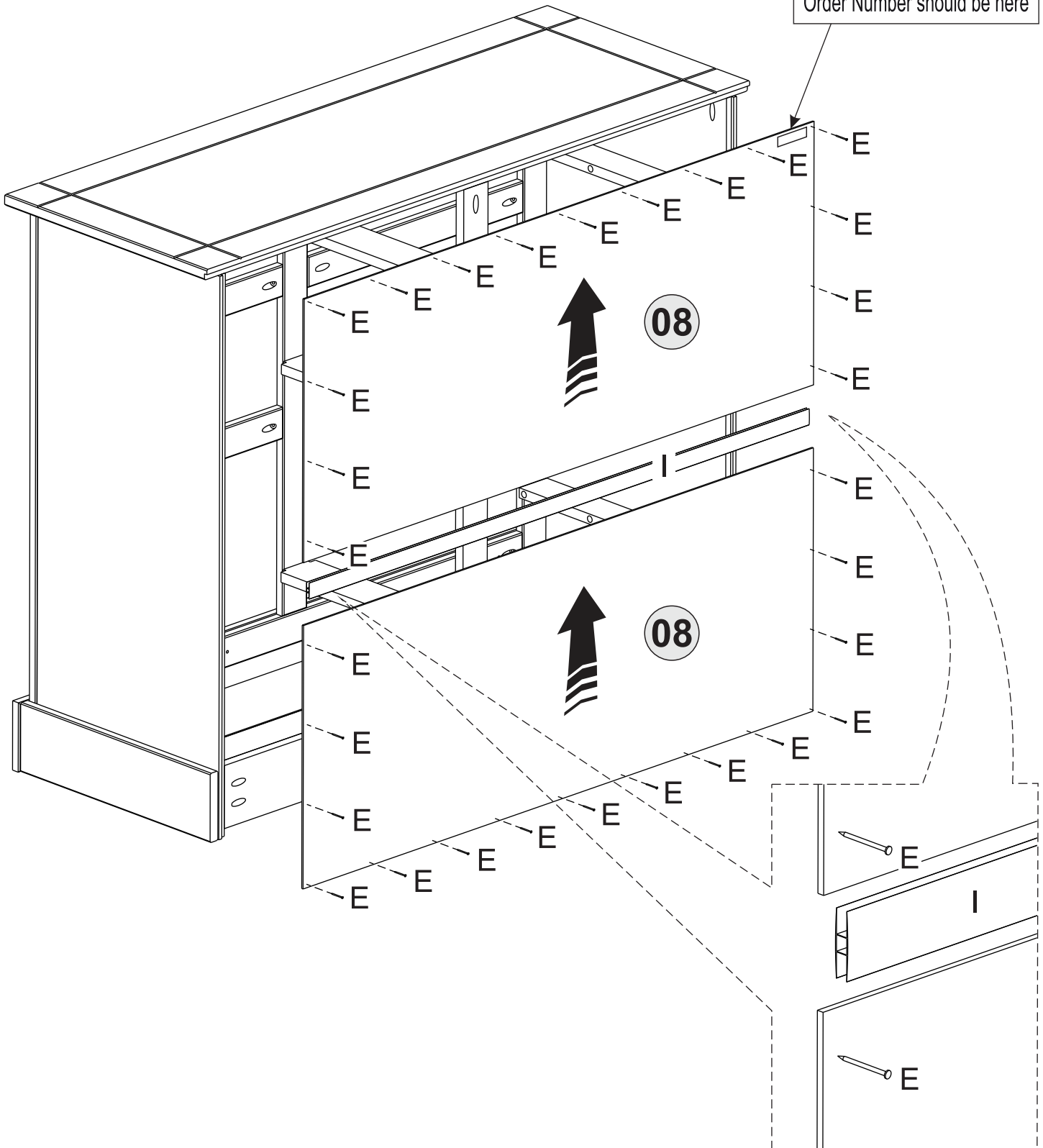
TOOLS REQUIRED



E  30
8 x 8mm

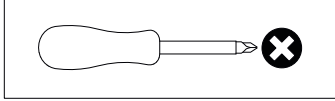
I  01
1032mm

* For your future reference
Order Number should be here



STEP 9

TOOLS REQUIRED



PARTS REQUIRED

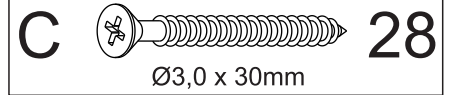
12 - NARROW DRAWER FRONT **x4**

13 - NARROW DRAWER SIDE **x8**

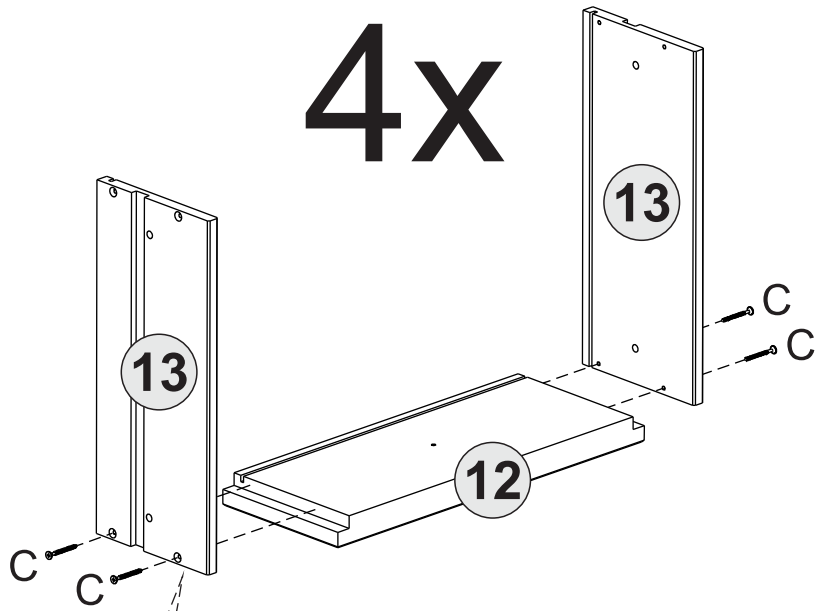
24 - WIDE DRAWER FRONT **x2**

25 - WIDE DRAWER SIDE **x4**

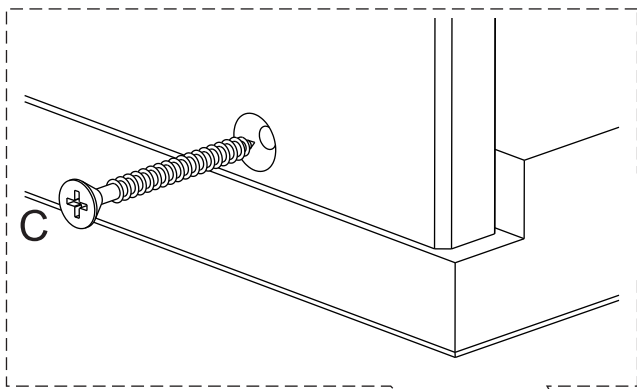
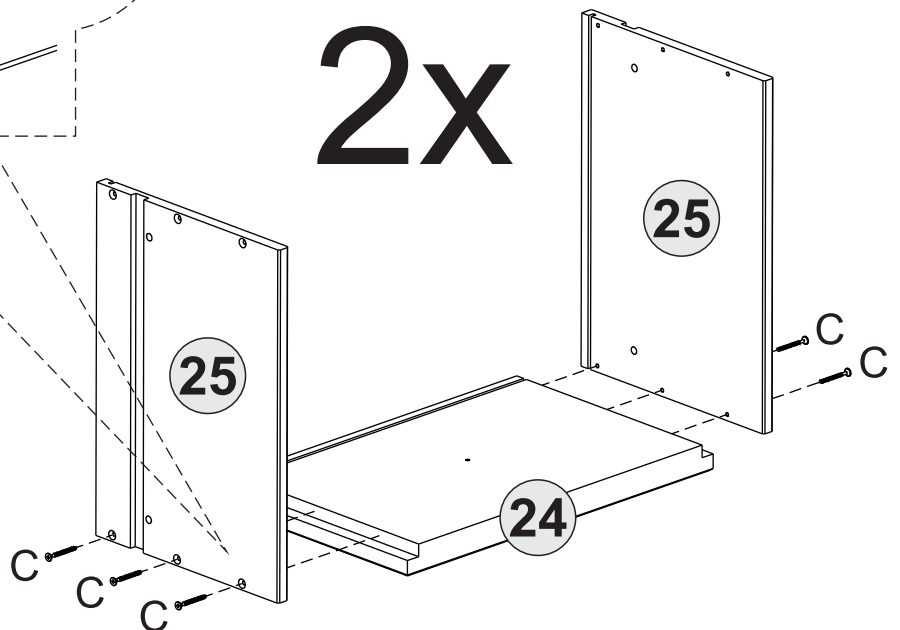
HARDWARE REQUIRED



4x

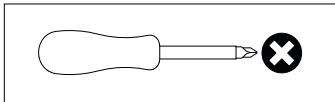


2x



STEP 10

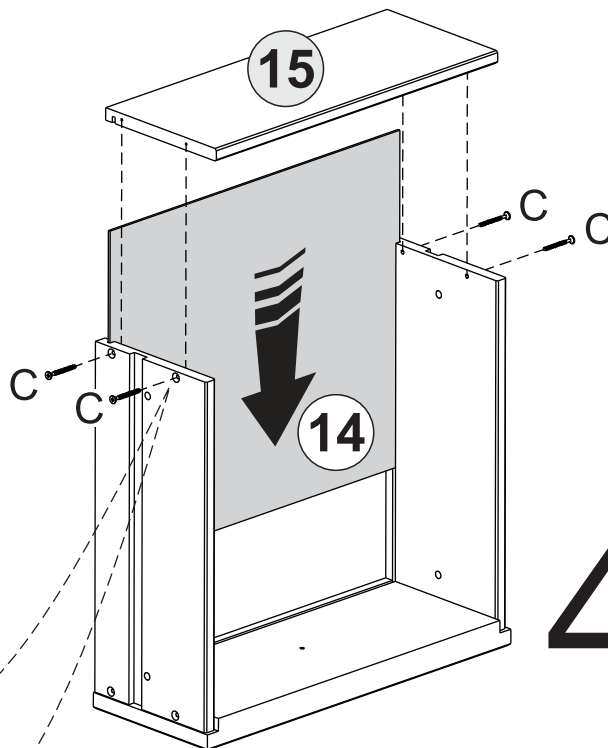
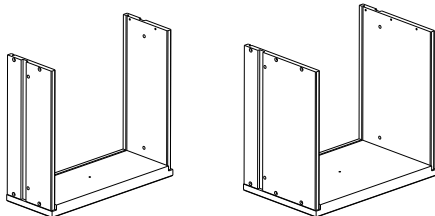
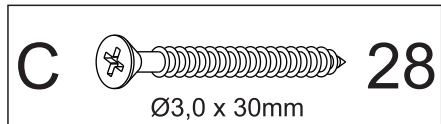
TOOLS REQUIRED



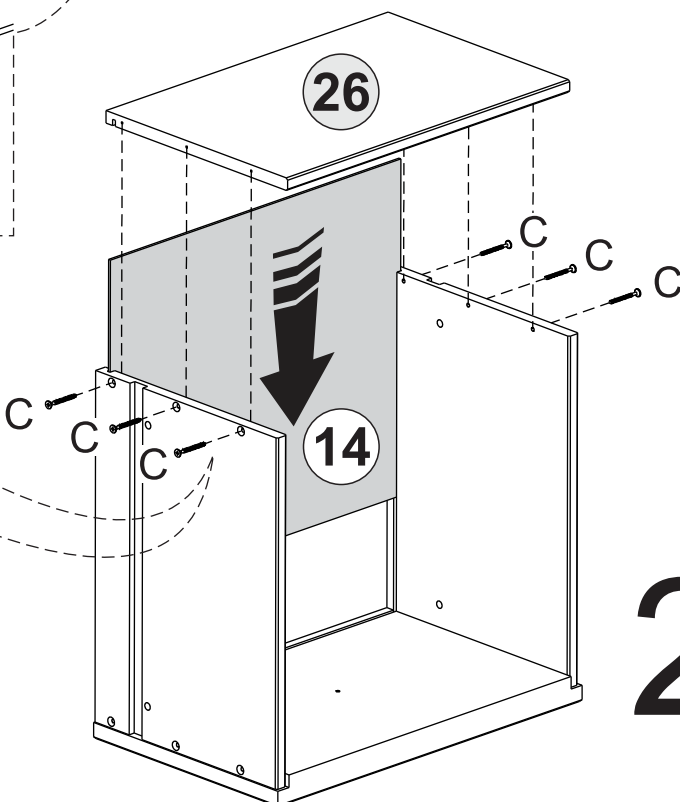
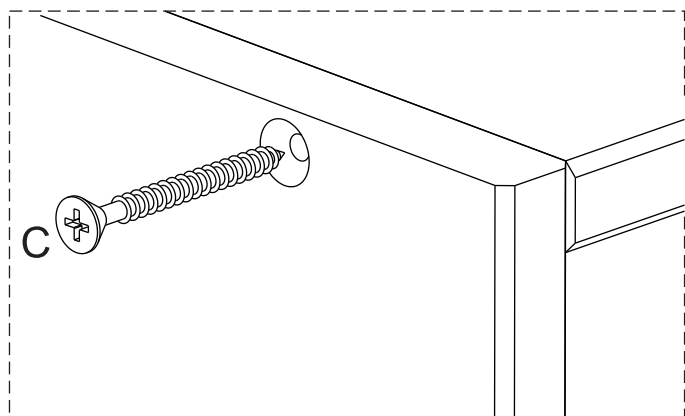
PARTS REQUIRED

- 14 - DRAWER BOTTOM **x6**
- 15 - NARROW DRAWER BACK **x4**
- 26 - WIDE DRAWER BACK **x2**

HARDWARE REQUIRED



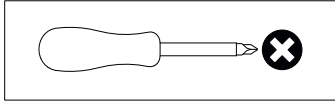
4x



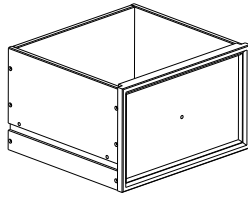
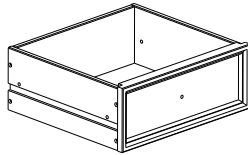
2x

STEP 11

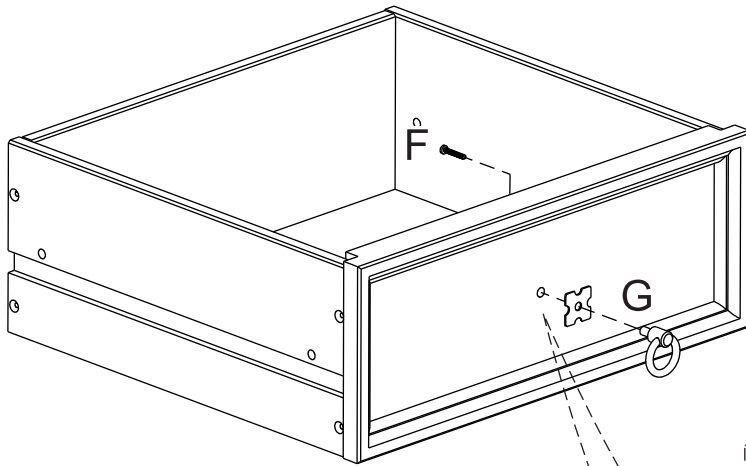
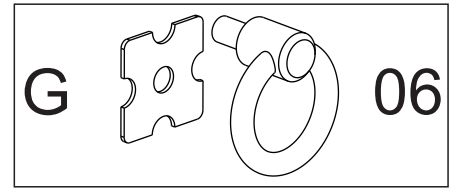
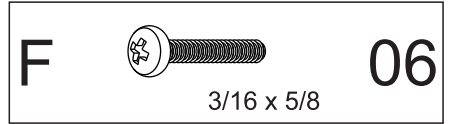
TOOLS REQUIRED



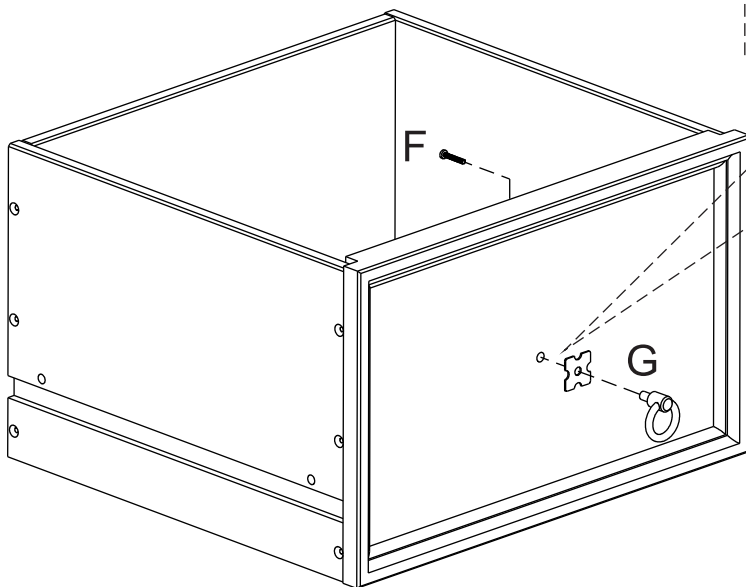
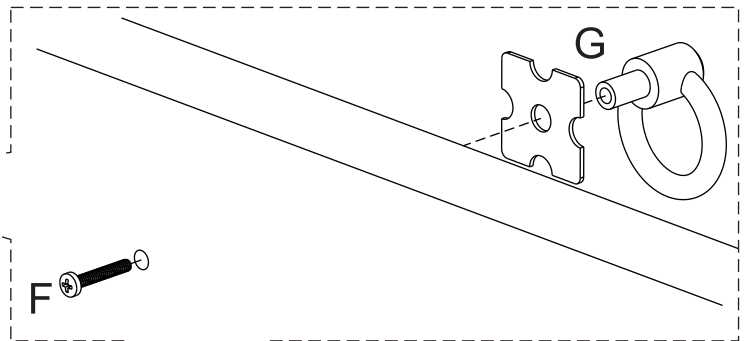
PARTS REQUIRED



HARDWARE REQUIRED



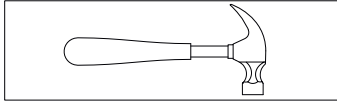
4x



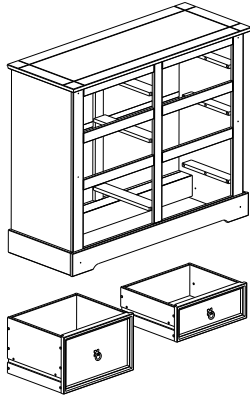
2x

STEP 12

TOOLS REQUIRED



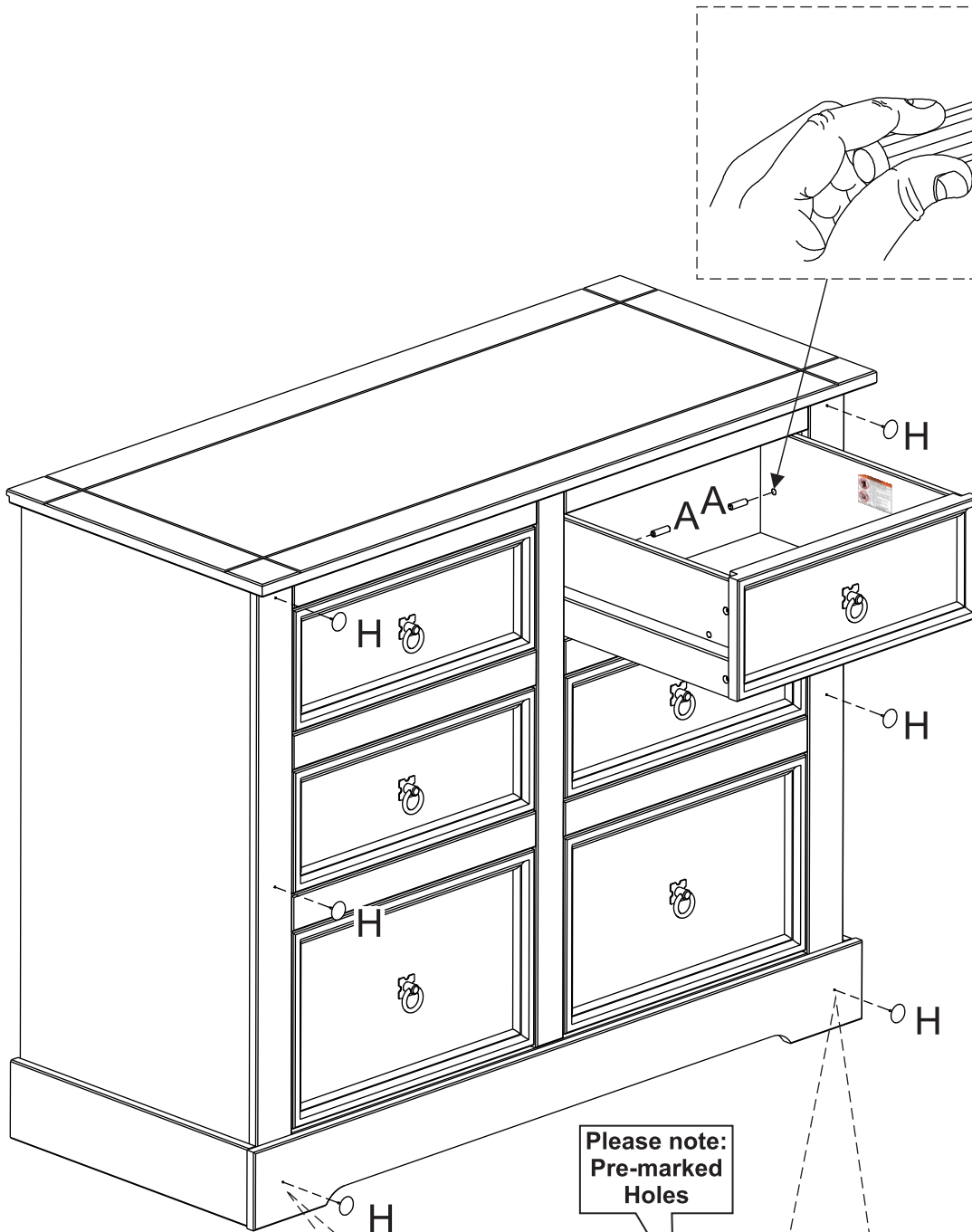
PARTS REQUIRED



HARDWARE REQUIRED

A 12
Ø8 x 30mm

H 06



The assembled drawer with this warning must be placed on top of the unit.

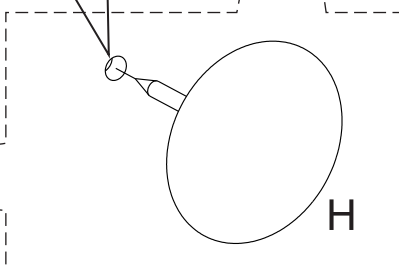
WARNING
Children have died from furniture tipover. To reduce the risk of furniture tipover:

- ALWAYS install tipover restraint provided.
- NEVER put a TV on this product.
- NEVER allow children to stand, climb or hang on drawers, doors, or shelves.
- NEVER open more than one drawer at a time.
- Place heaviest items in the lowest drawers.

This is a permanent label. Do not remove!



Please note:
Pre-marked
Holes



WARNING

Serious or fatal injuries can occur from furniture tipping over. To prevent the furniture from tipping over we recommend that it is permanently fixed to the wall.

Wall fixings are not supplied with this product as different wall materials require different types of fixing devices.

Please make sure you use fixings suitable for the walls in your home.

