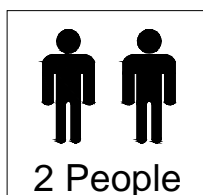
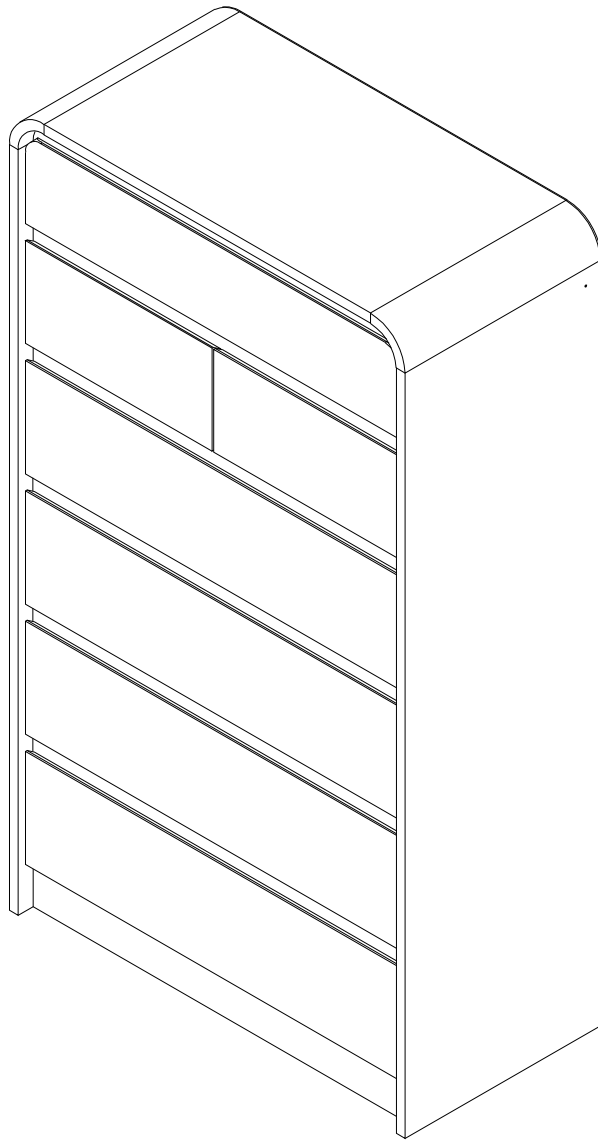
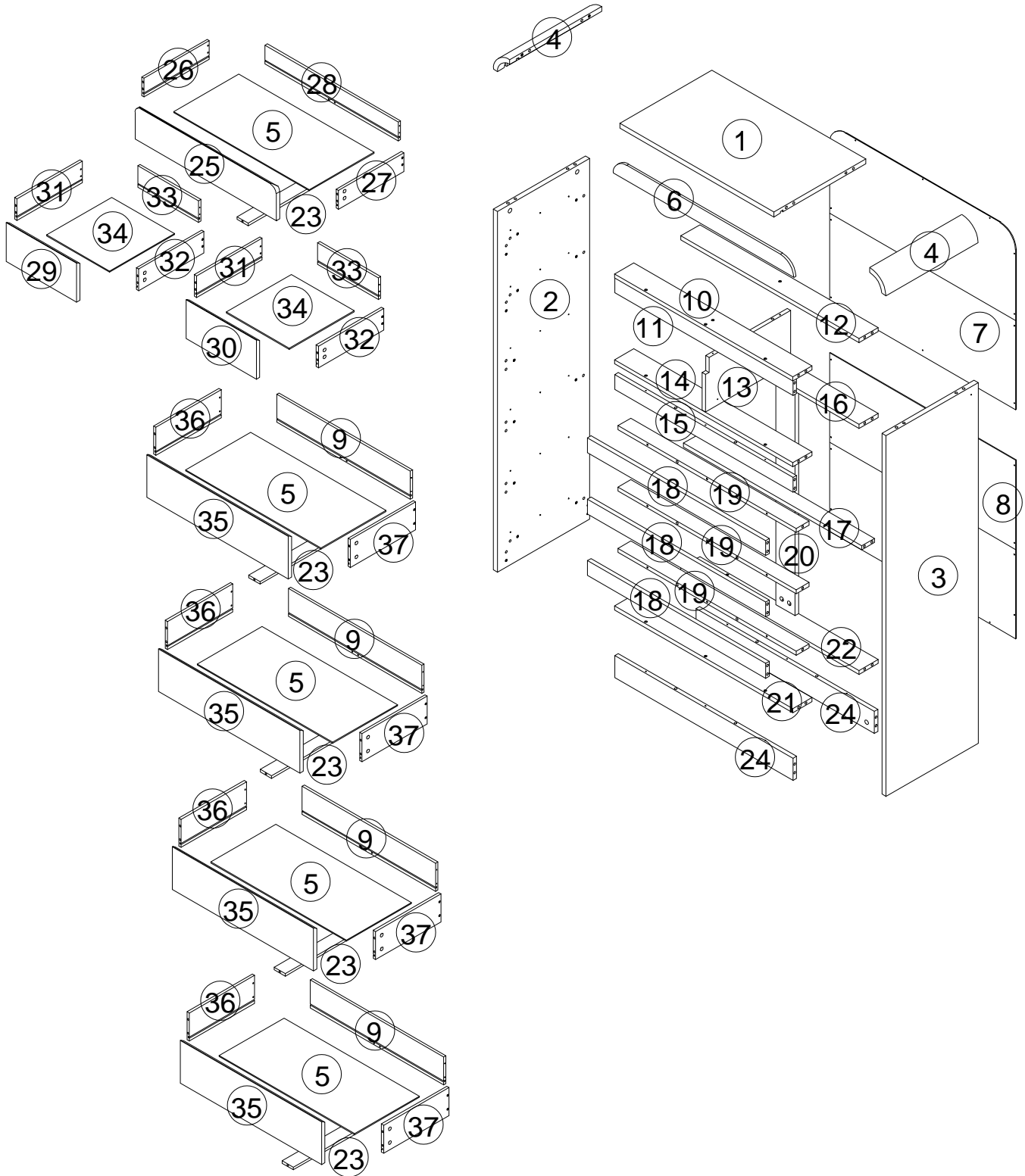


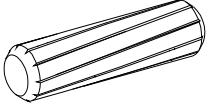
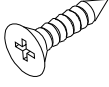
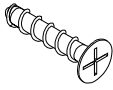

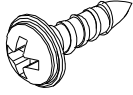

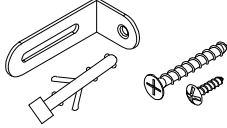
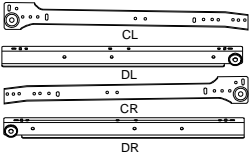
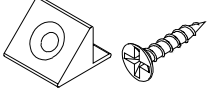
# ASSEMBLY INSTRUCTIONS

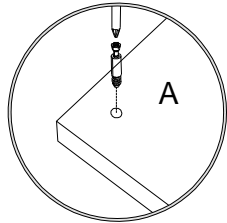




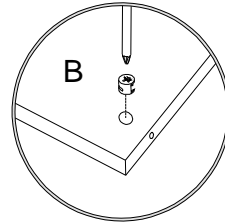
CODE	DESCRIPTION	QTY
1	Top Panel	1
2	Left Side Panel	1
3	Right Side Panel	1
4	Bent Wood Board	2
5	Upper And Lower Drawer Bottom Panel	5
6	Upper Front Strip	1
7	Upper Back Panel	1
8	Lower Back Panel	1
9	Lower Drawer Back Panel	4
13	Middle Vertical Panel	1
20	Back Vertical Panel	1
23	Drawer Bottom Strip	5
25	Upper Drawer Top Panel	1
26	Upper Drawer Left Side Panel	1
27	Upper Drawer Right Side Panel	1
28	Upper Drawer Back Panel	1
31	Middle Drawer Left Side Panel	2
32	Middle Drawer Right Side Panel	2
33	Middle Drawer Back Panel	2
34	Middle Drawer Bottom Panel	2
36	Lower Drawer Left Side Panel	4
37	Lower Drawer Right Side Panel	4

CODE	DESCRIPTION	QTY
10	Upper Front Ruggedized Strip	1
11	Upper Front Strip	1
12	Upper Back Ruggedized Strip	1
14	Middle Front Ruggedized Strip	1
15	Middle Vertical Strip	1
16	Middle Back Ruggedized Strip	1
17	Lower Back Ruggedized Strip	1
18	Lower Front Vertical Panel	3
19	Middle Ruggedized Strip	3
21	Front Bottom Panel	1
22	Rear Bottom Panel	1
24	Front And Back Footboard	2
29	Middle Left Drawer Top Panel	1
30	Middle Right Drawer Top Panel	1
35	Lower Drawer Top Panel	4

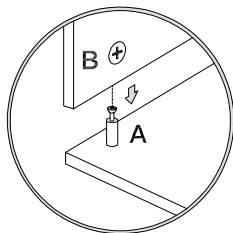
<p>Ø8X30MM</p>  <p><b>A</b> 60X+2</p>	<p>Ø3X12MM</p>  <p><b>B</b> 84X+2</p>	<p>Ø4X35MM</p>  <p><b>C</b> 63X+2</p>	 <p><b>D</b> 73X+2</p>
<p>Ø3X12MM</p>  <p><b>F</b> 28X+2</p>	<p>Ø15X10MM</p>  <p><b>G</b> 73X+2</p>	 <p><b>H</b> 2X</p>	 <p><b>L</b> 7X</p>
 <p><b>M</b> 2X</p>			



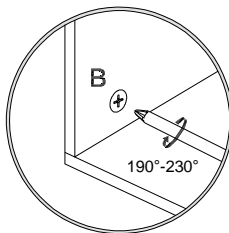
1. Screw cam bolt into panel



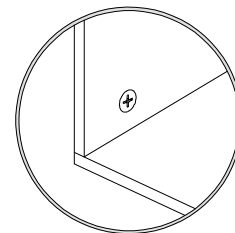
2. Push cam into panel - arrow feature on cam top points to panel edge



3. Align cam bolt(s) with cam(s) and insert all the way into cross-bored hole(s)

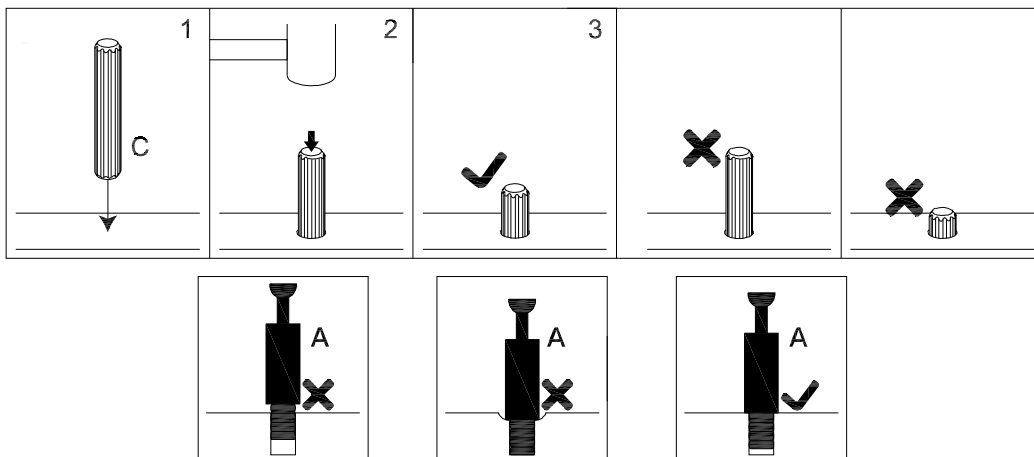


4. Rotate cam(s) clockwise 190°-230° to lock panels together



5. Panels should be tight against each other and connection should be rigid

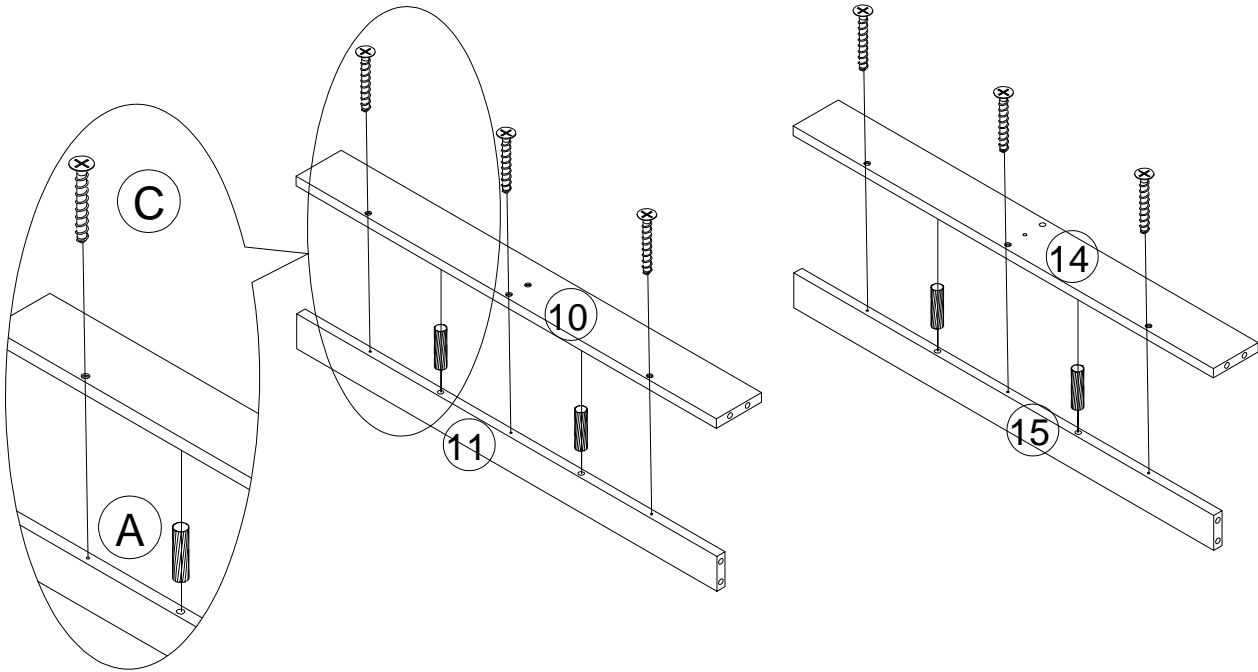
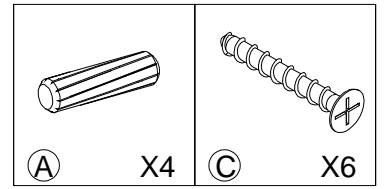
Insert the wood dowel [C] at least half way by tapping lightly with a rubber mallet, IF NECESSARY.



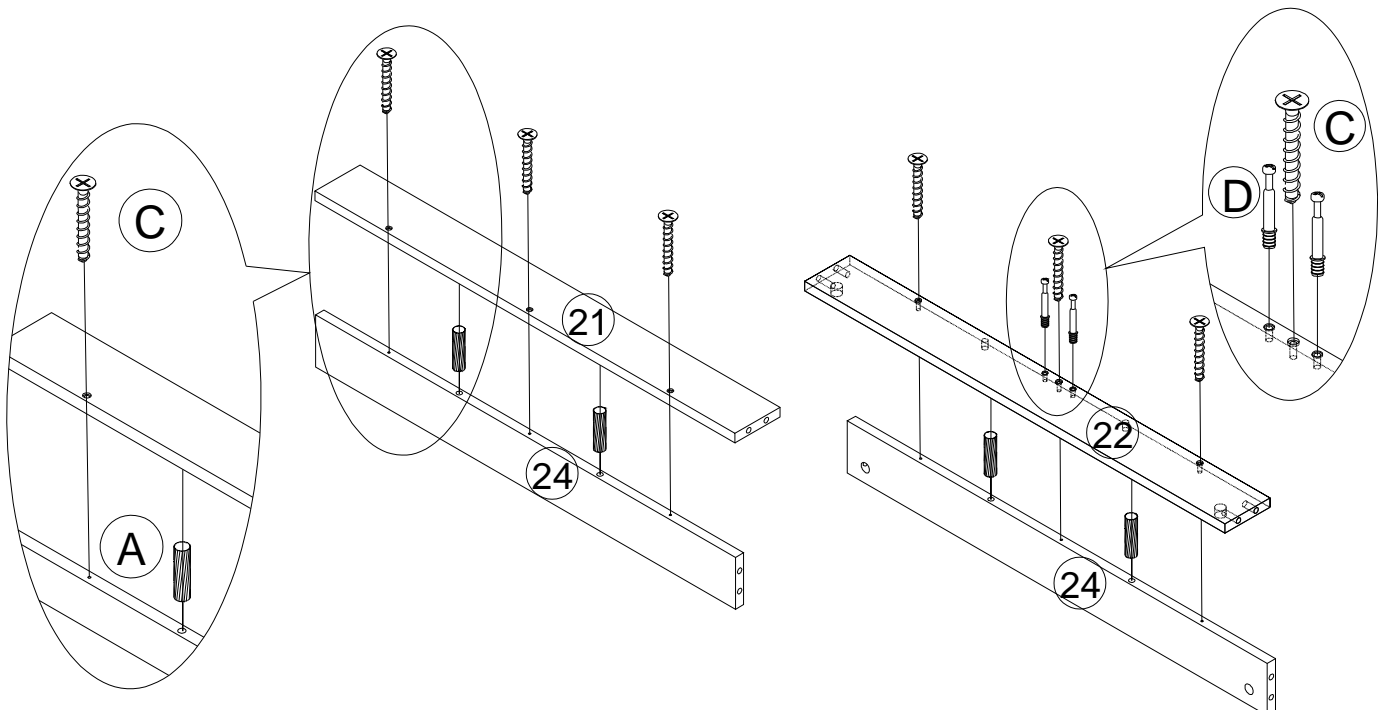
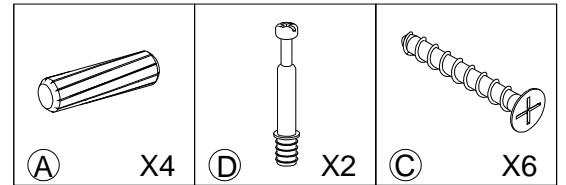
### ⚠ WARNING

- Unit must be placed on a level surface or leveled with included hardware (when applicable).
- Do not sit or stand on or allow children to climb, sit or stand on the assembled product.
- For safety reasons, it is imperative that this unit be mounted to the wall.
- Do not use without installing the tip restraint.
- Unit can tip over causing severe injury or death.
- Do not exceed the recommended weight limits.
- Evenly distribute the weight on each level and always keep the heavier loads on the bottom.
- Before cutting, drilling or hammering into any wall or floor surface, verify the location of electrical, plumbing and gas lines. Cutting may cause serious injury.

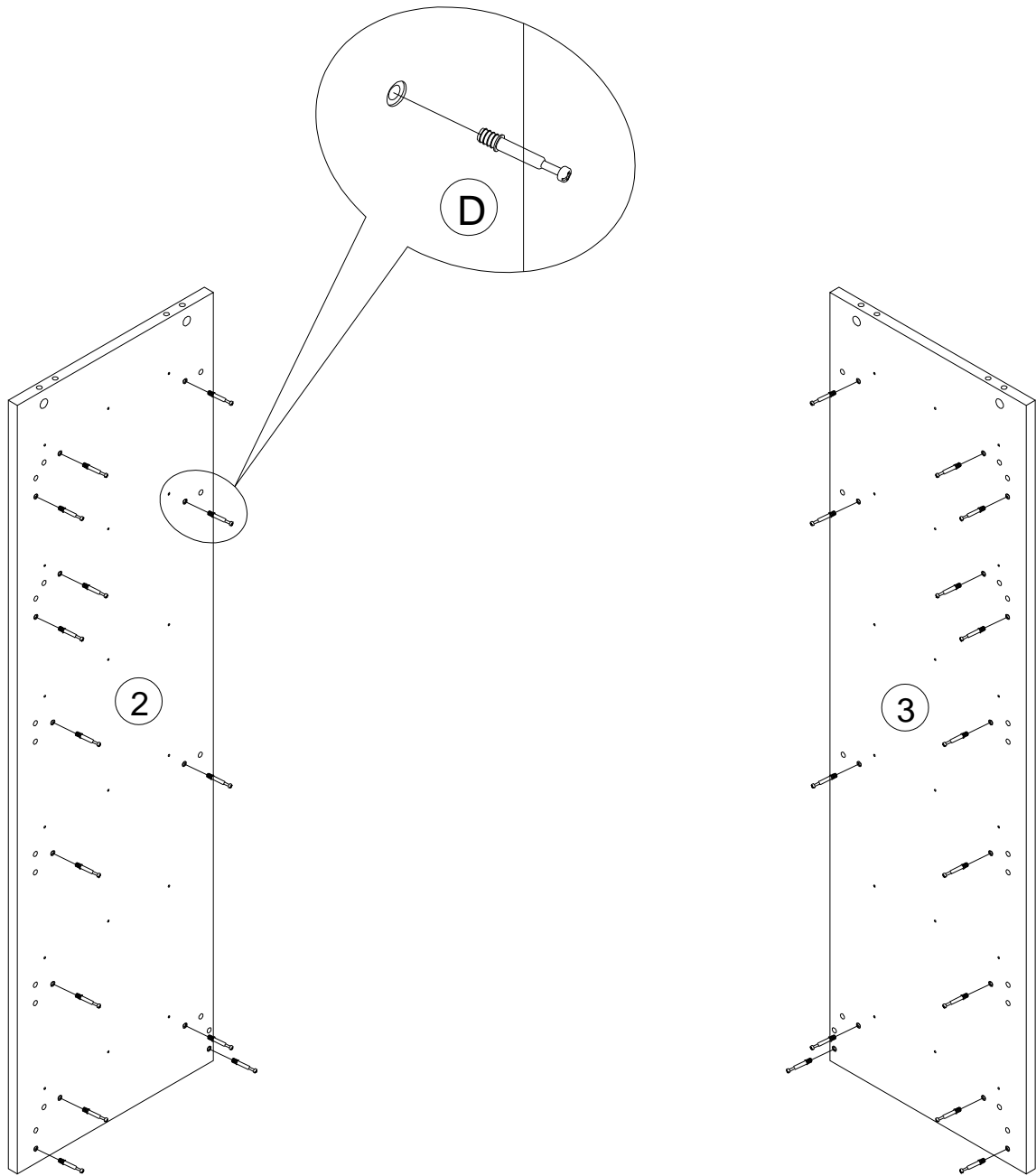
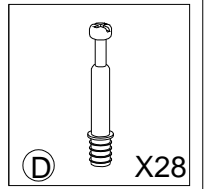
# STEP 1



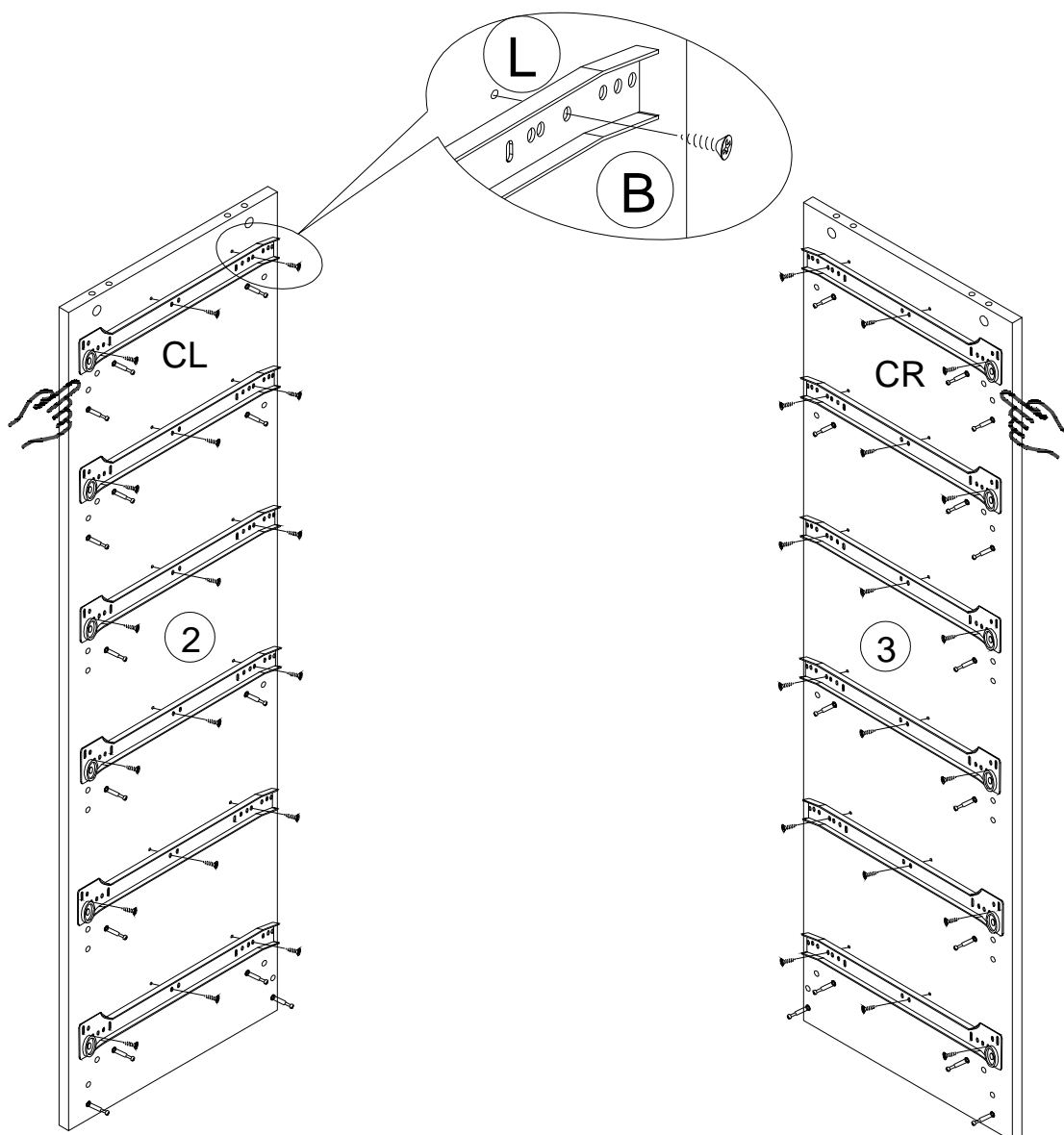
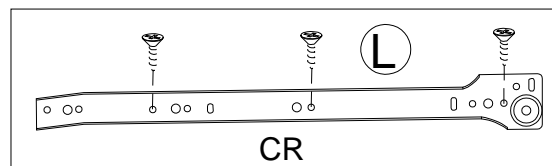
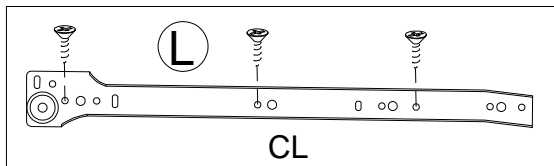
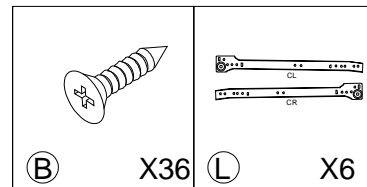
# STEP 2



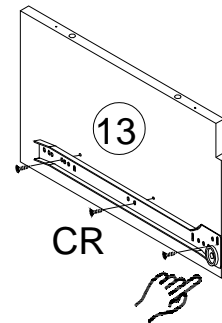
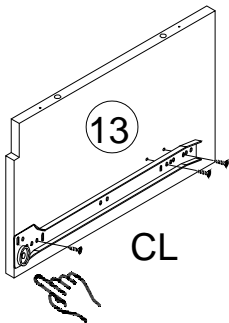
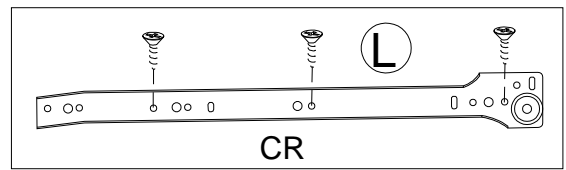
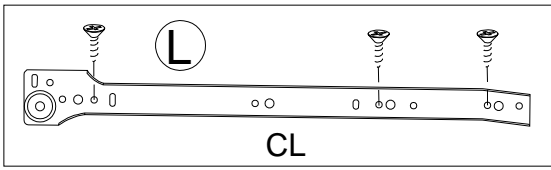
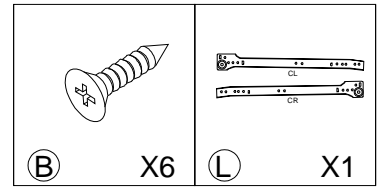
# STEP 3



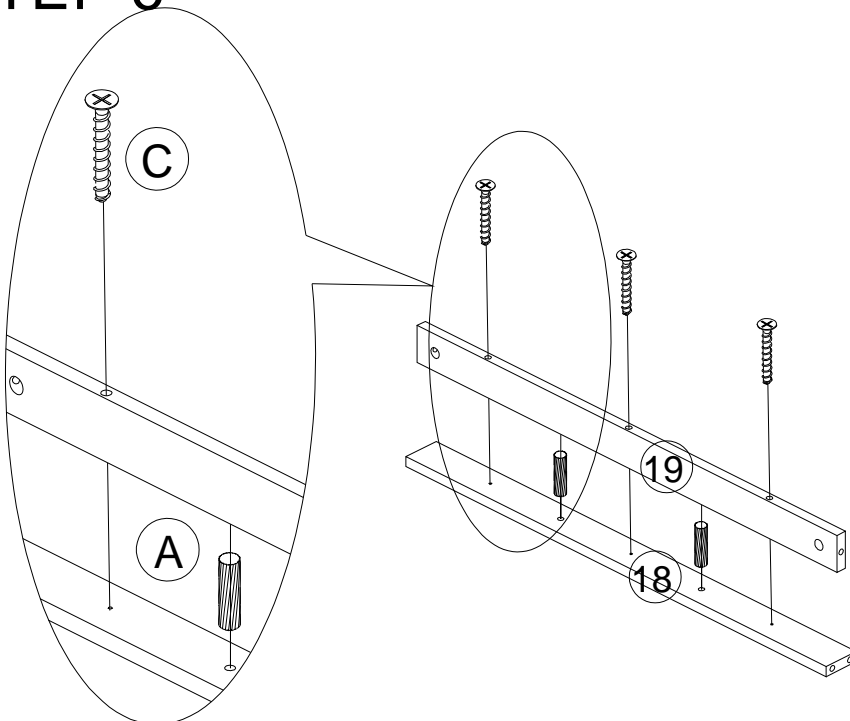
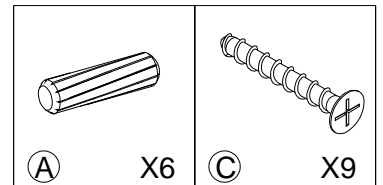
# STEP 4



# STEP 5

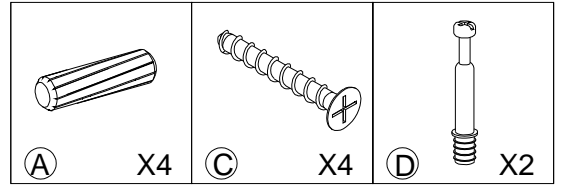
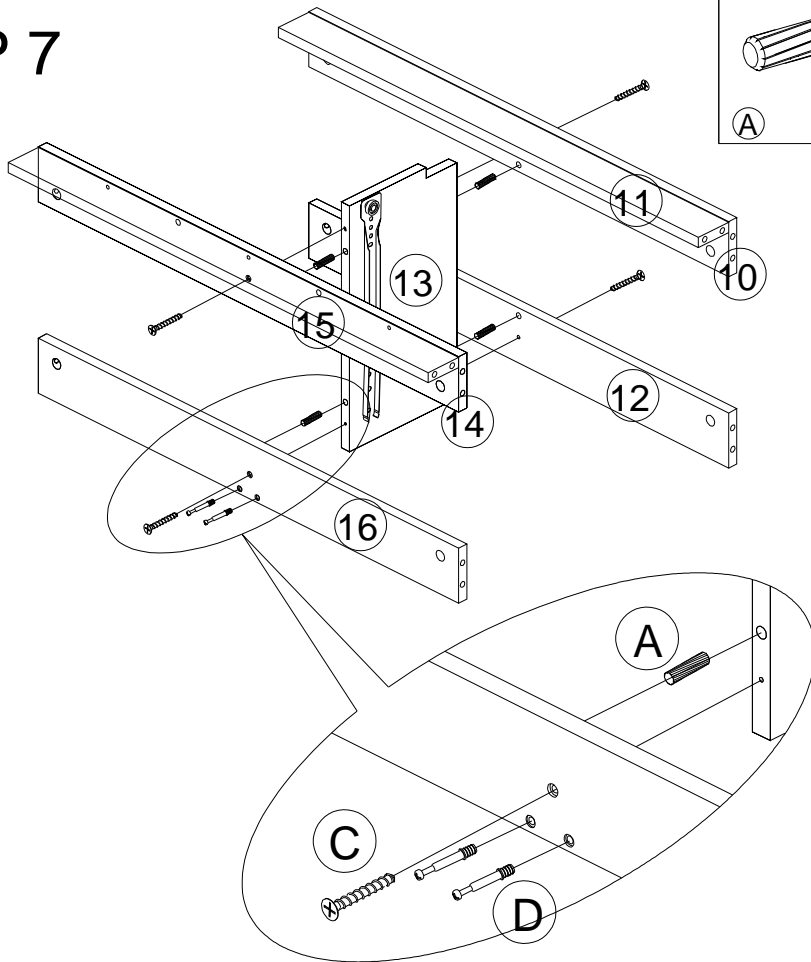


# STEP 6

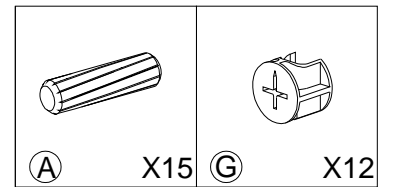
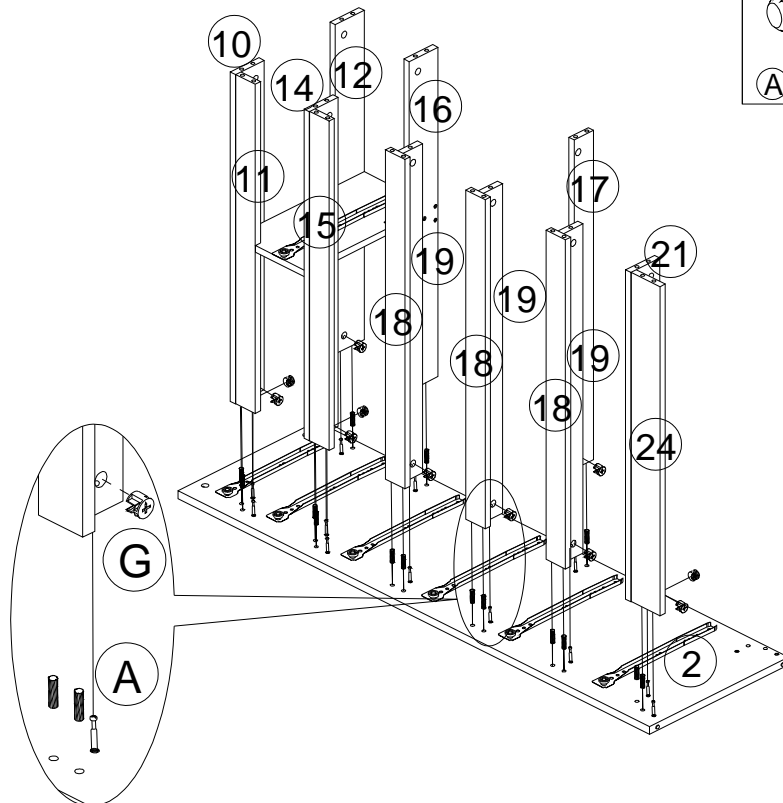
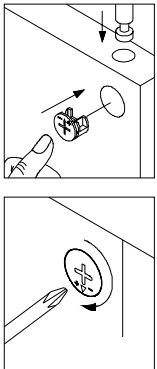


X3

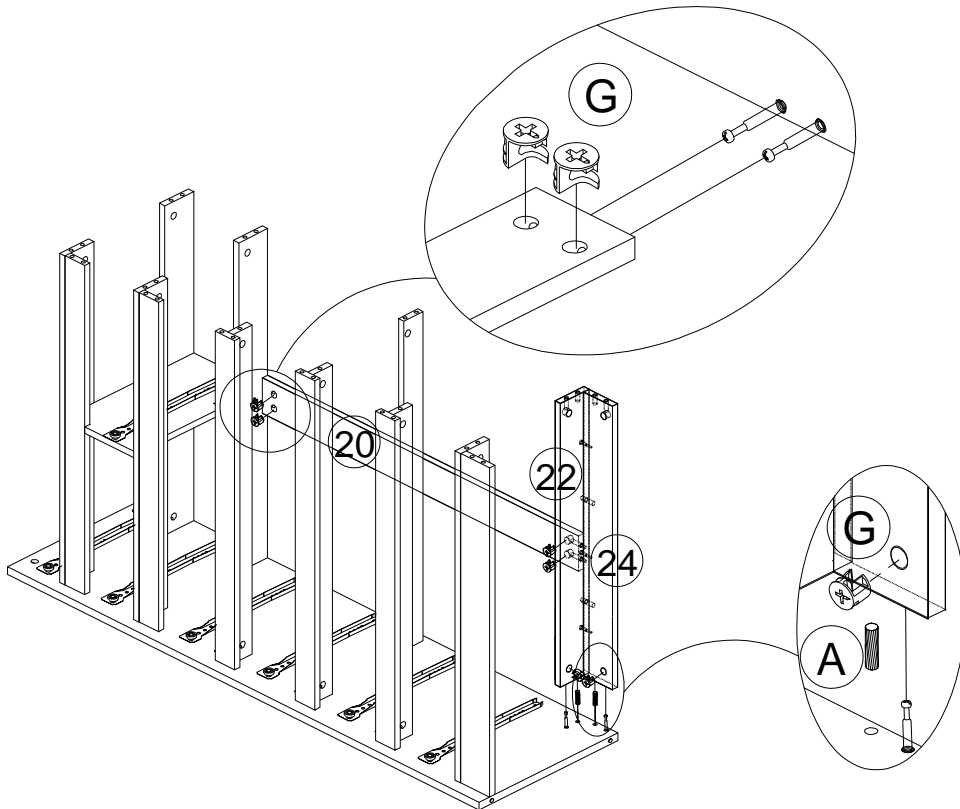
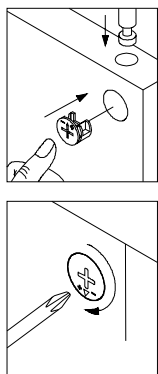
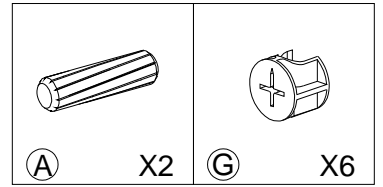
# STEP 7



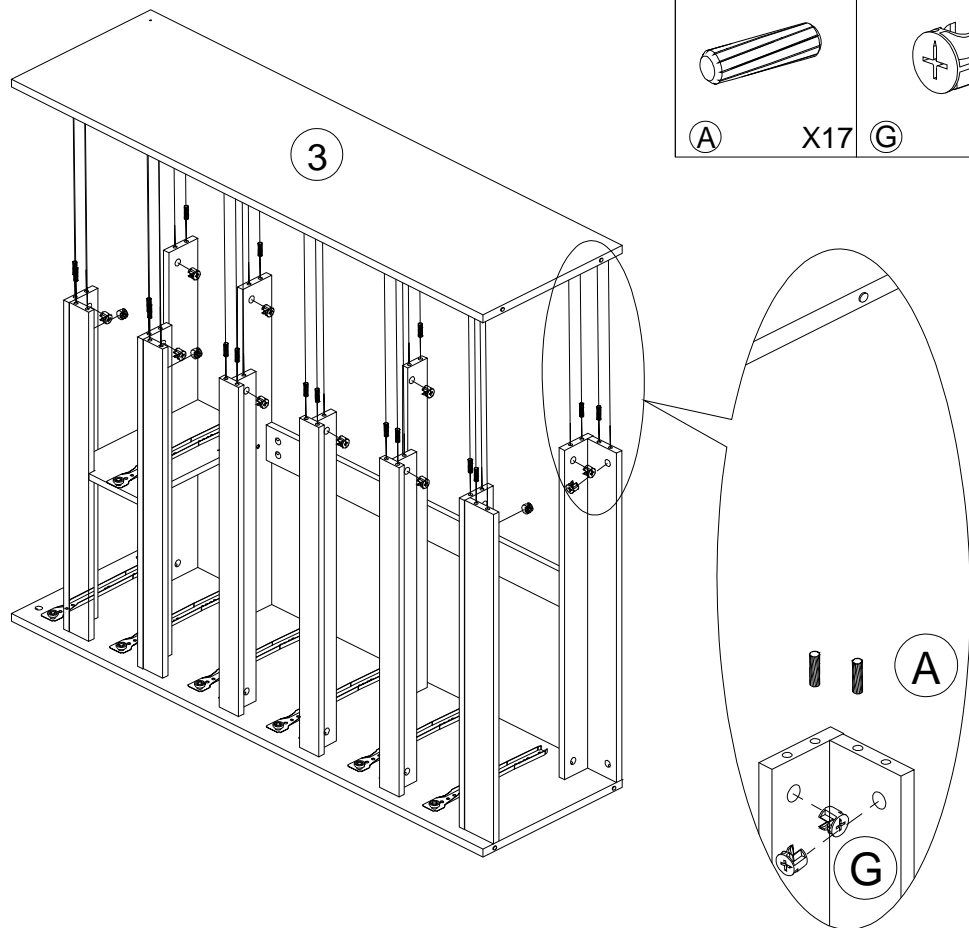
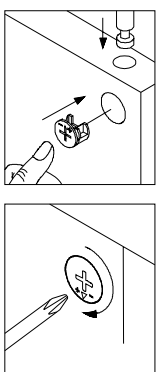
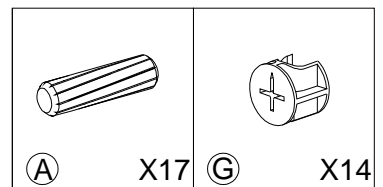
# STEP 8



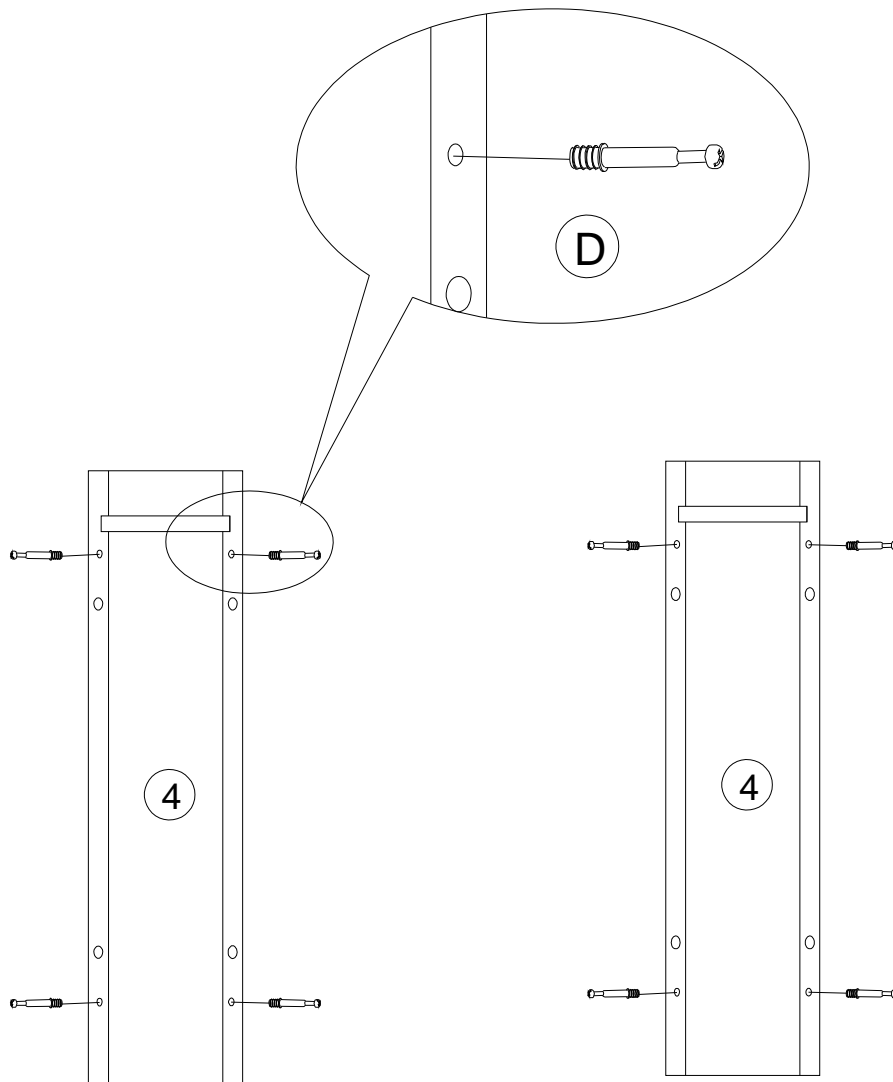
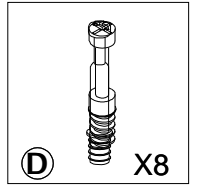
# STEP 9



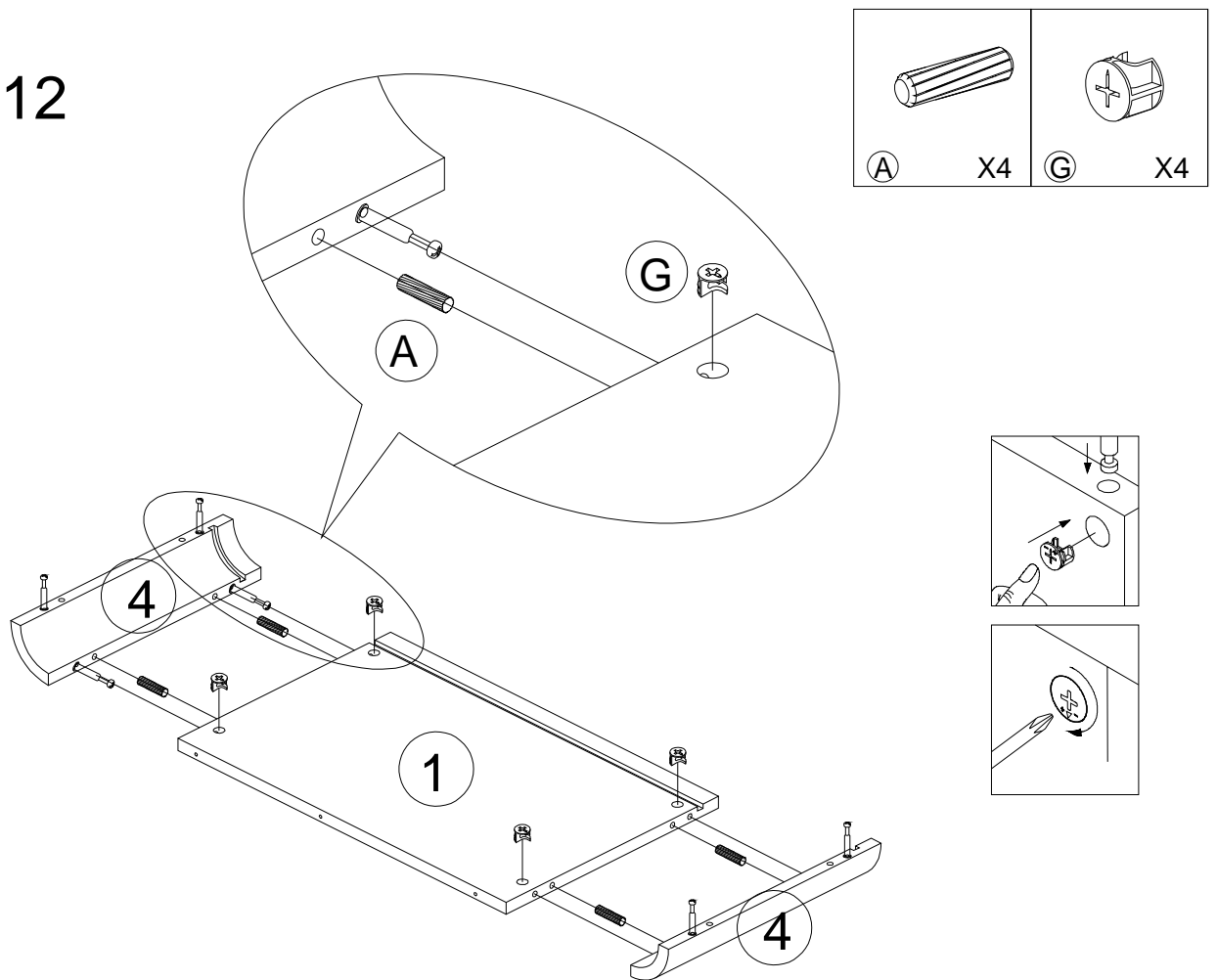
# STEP 10



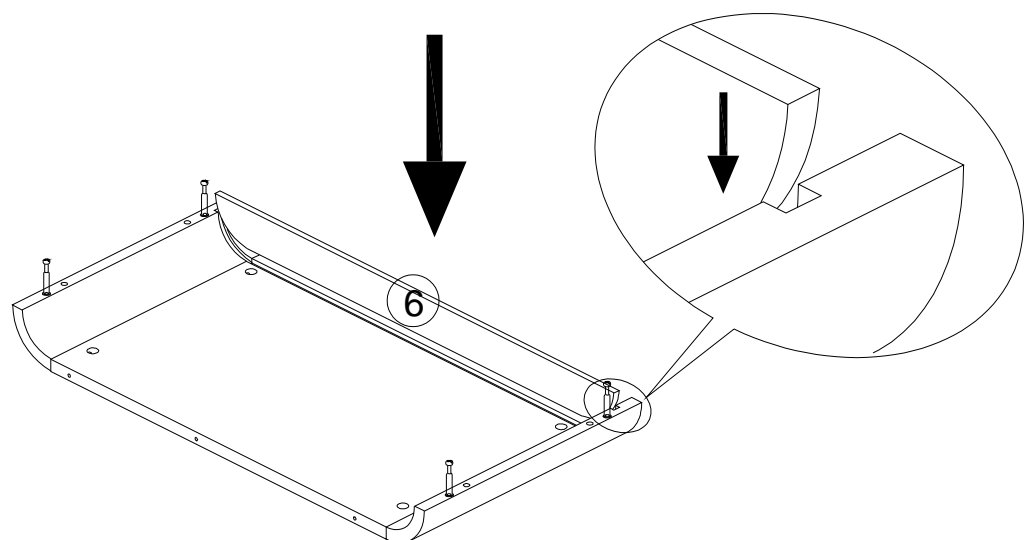
# STEP 11



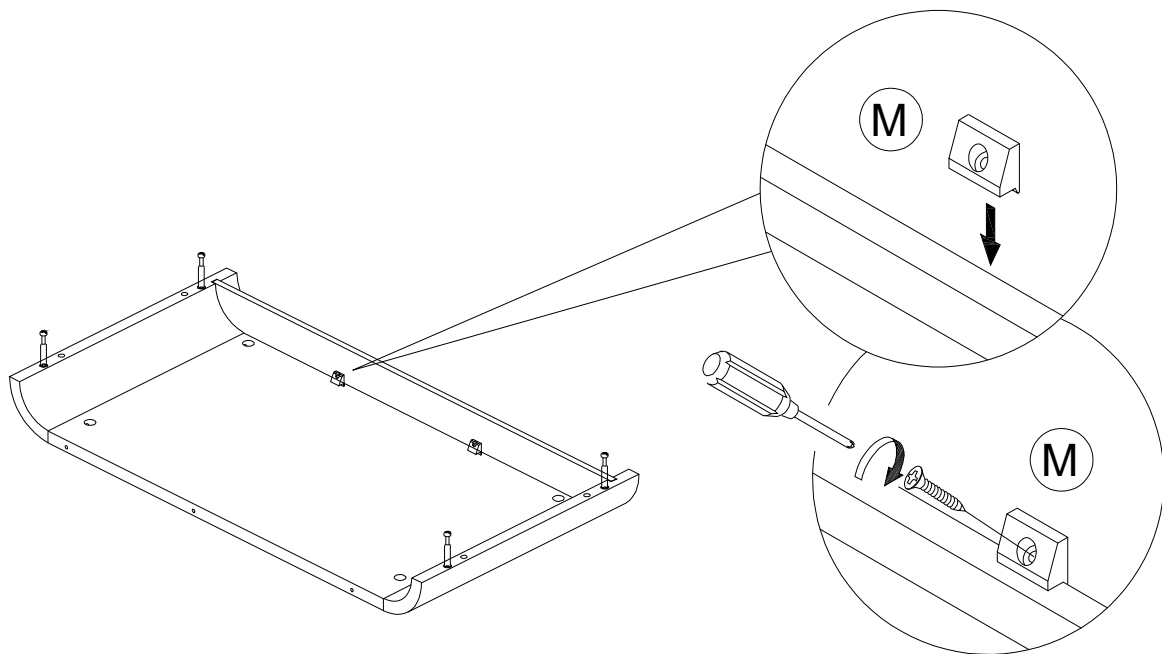
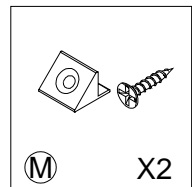
# STEP 12



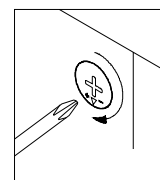
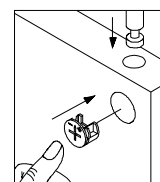
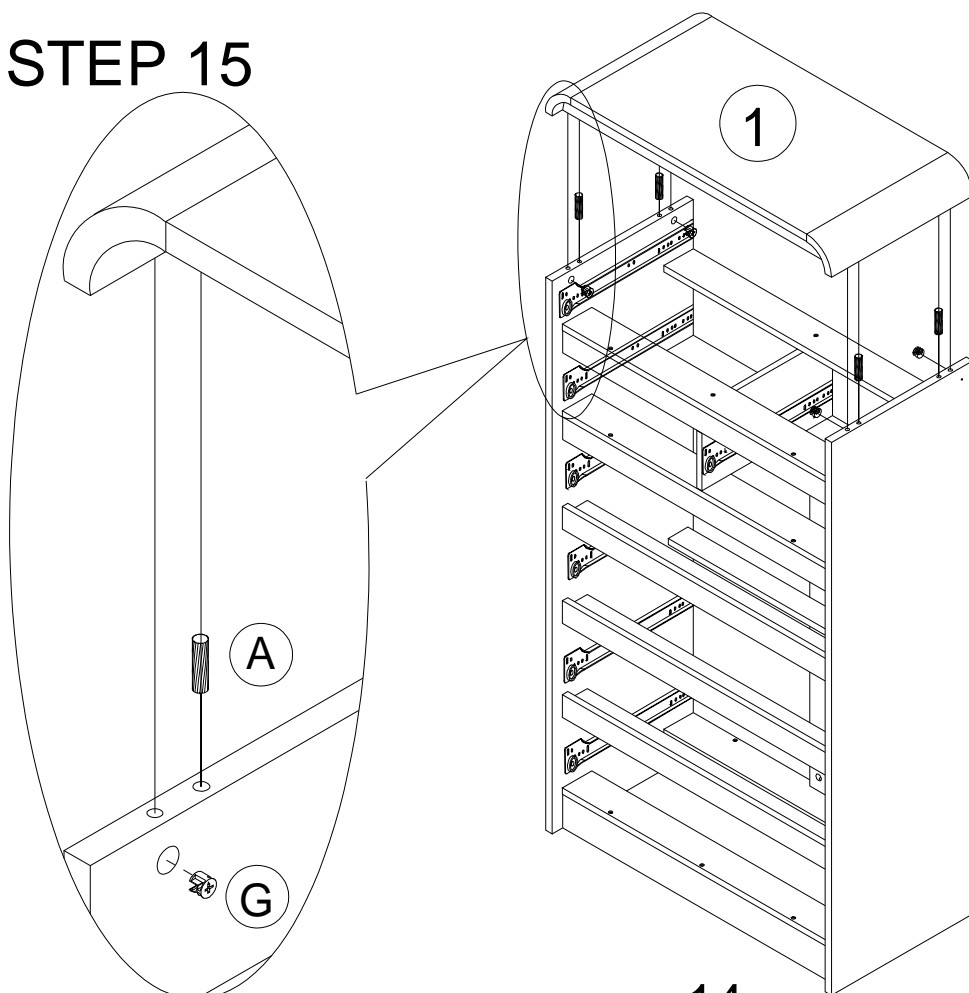
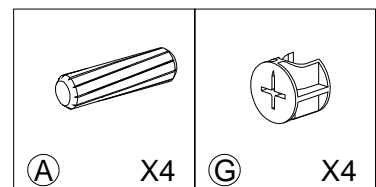
# STEP 13



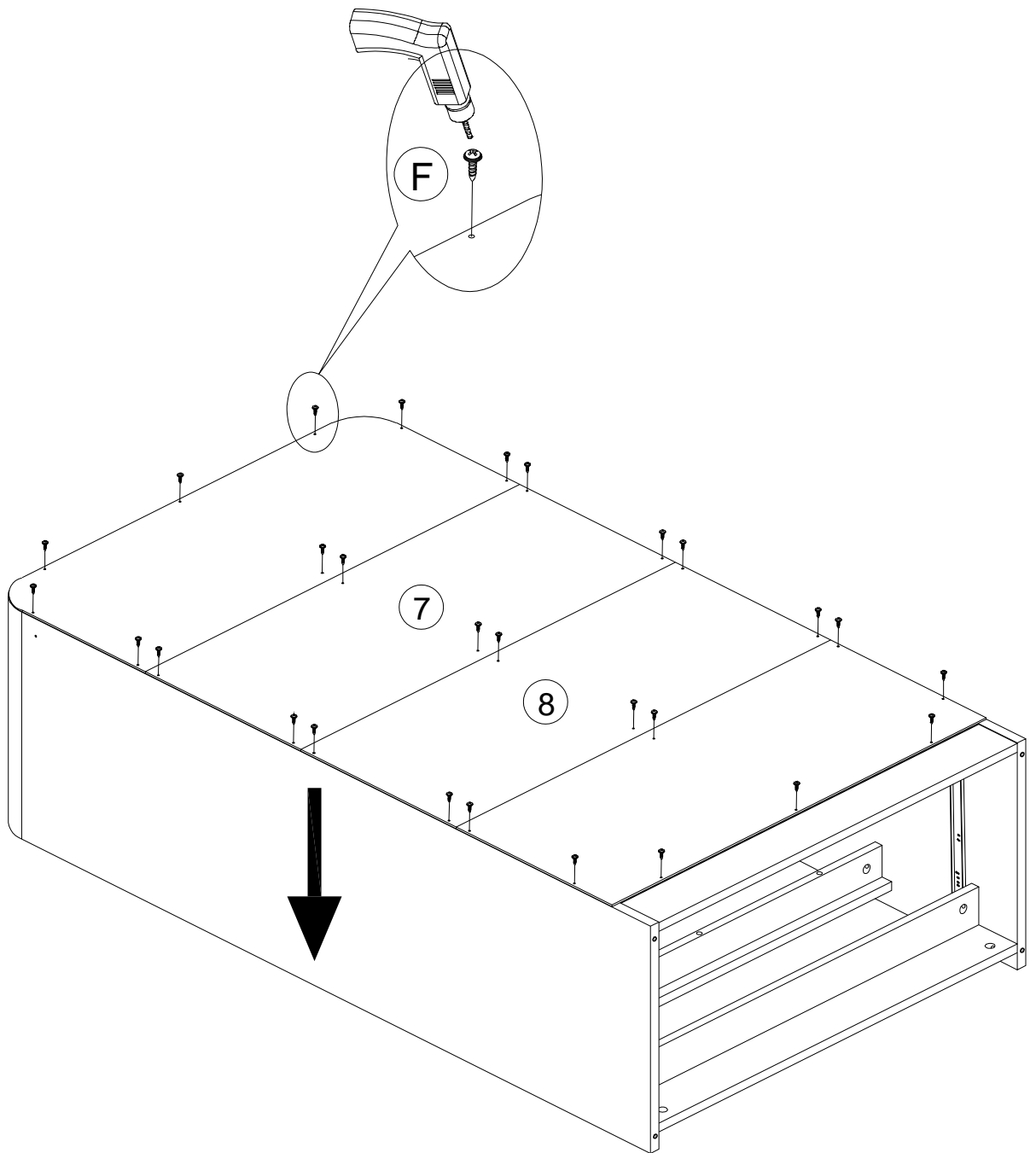
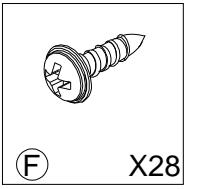
# STEP 14



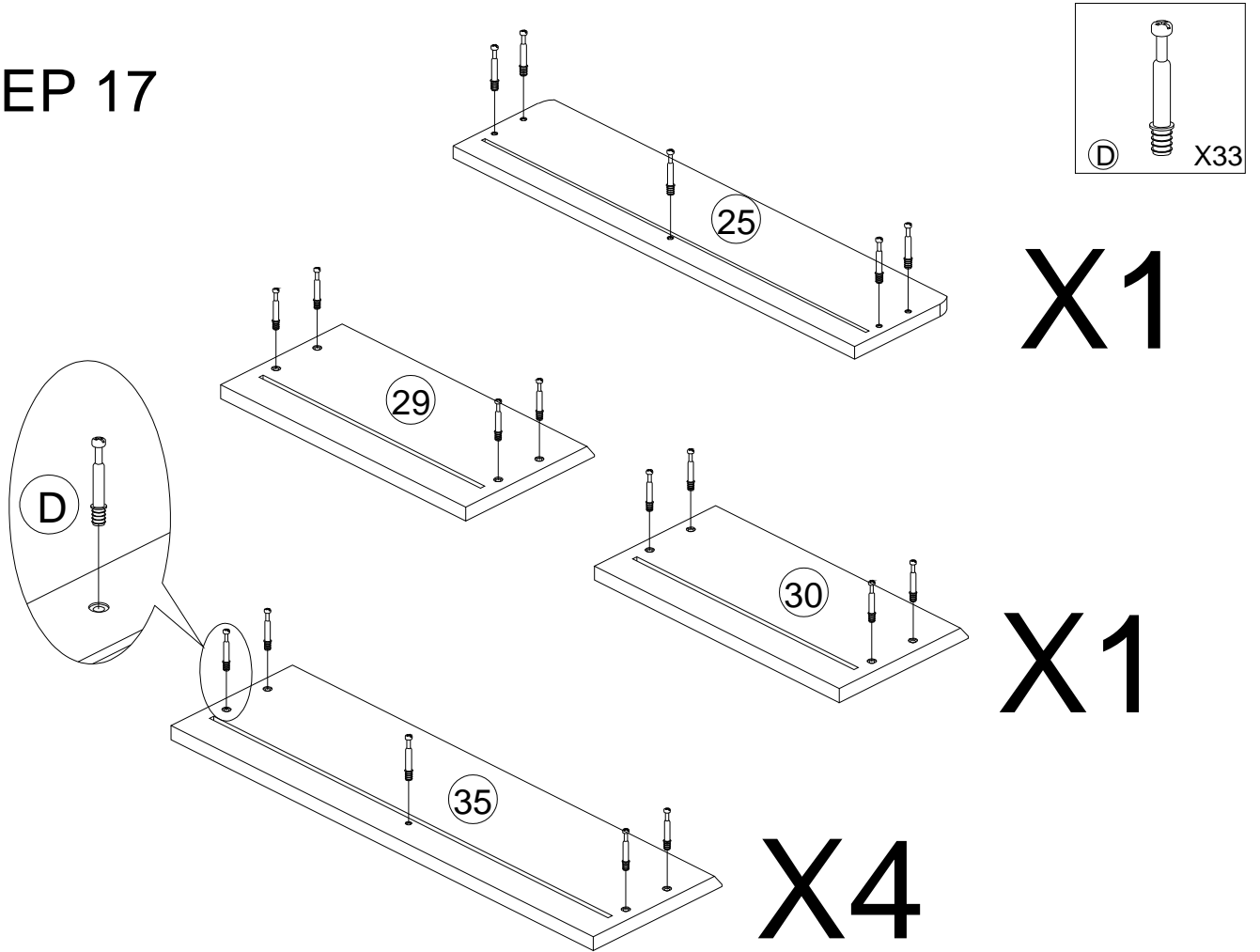
# STEP 15



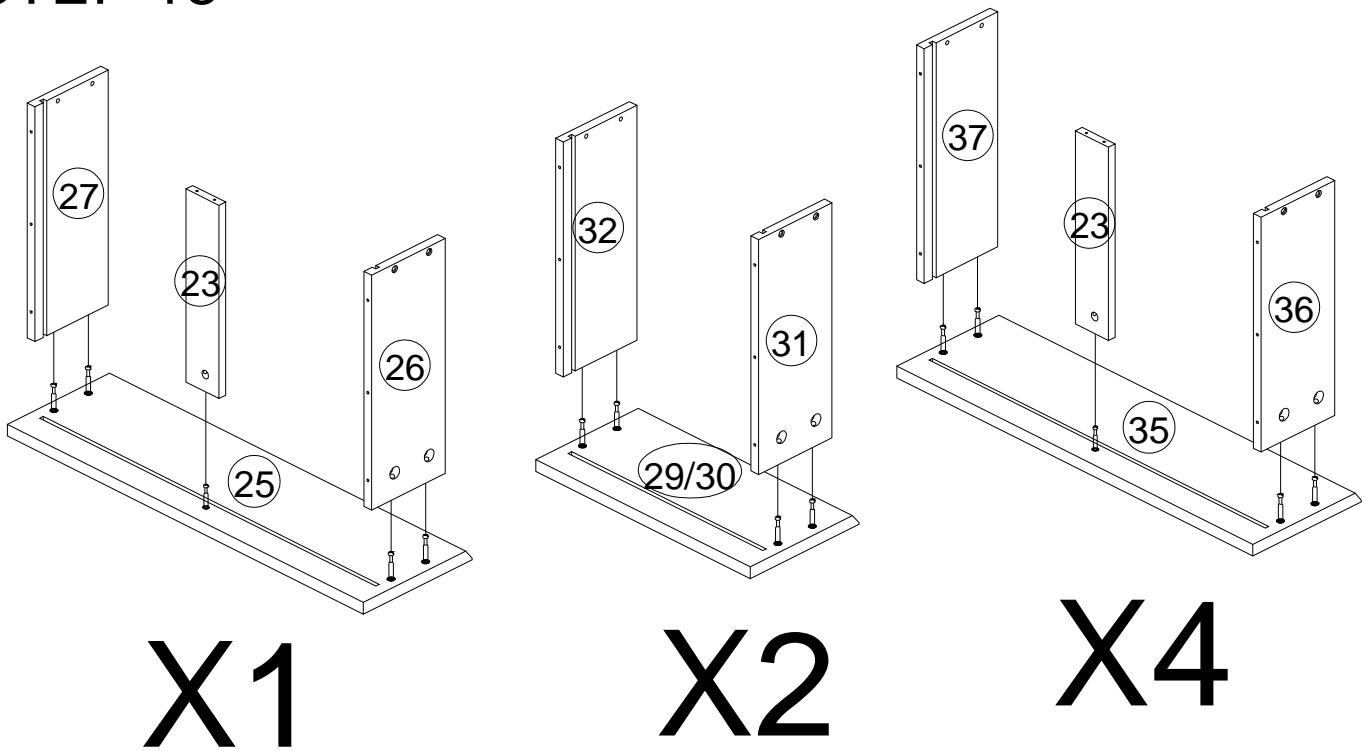
# STEP 16



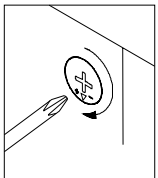
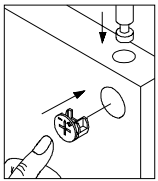
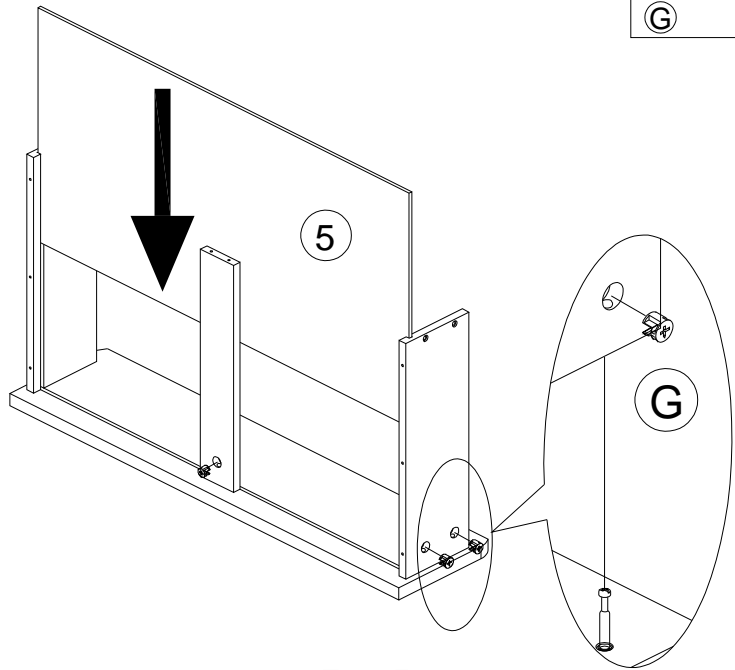
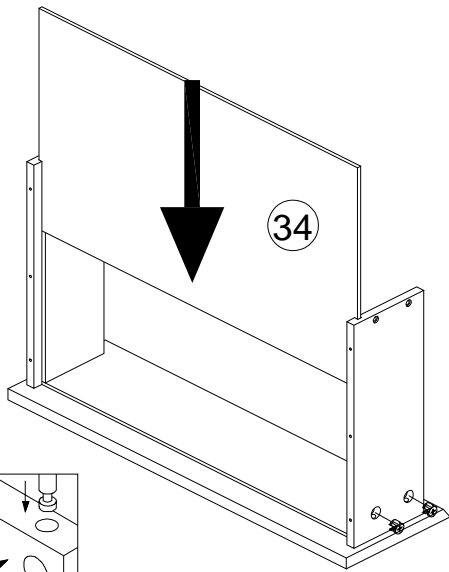
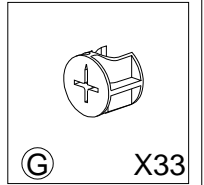
# STEP 17



# STEP 18



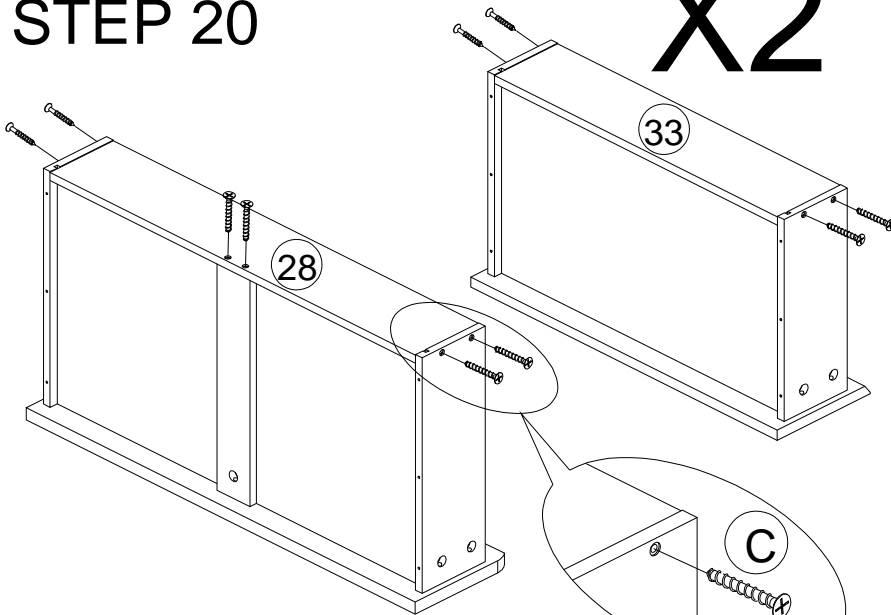
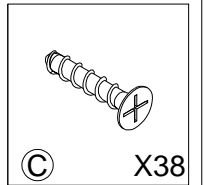
# STEP 19



**X2**

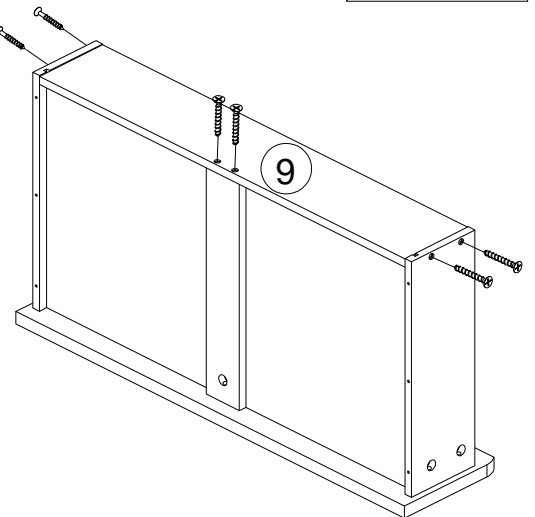
**X5**

# STEP 20



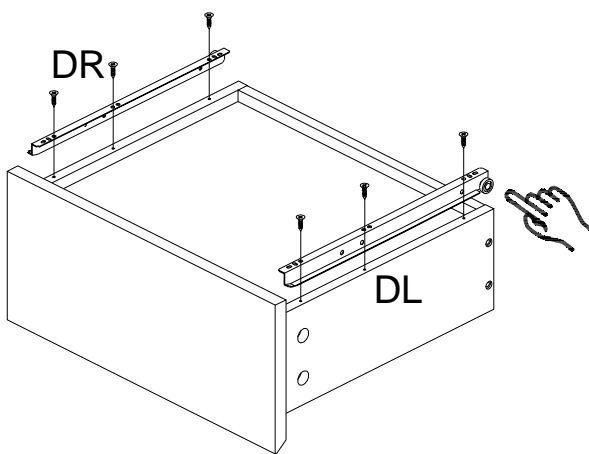
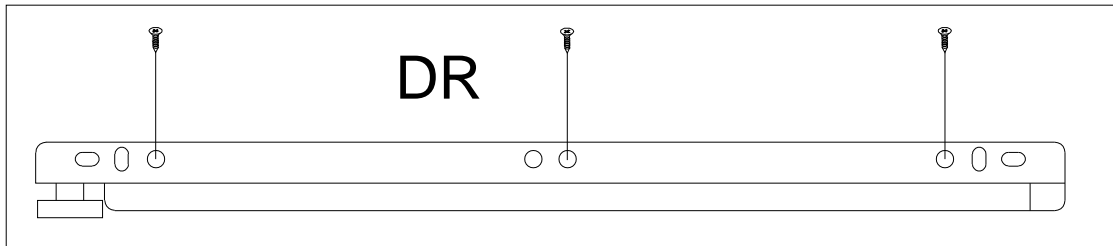
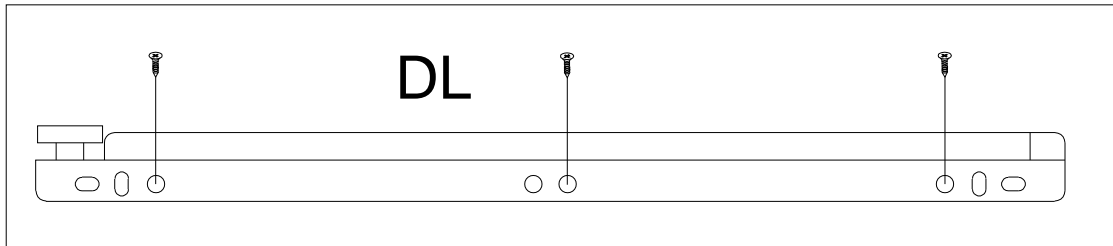
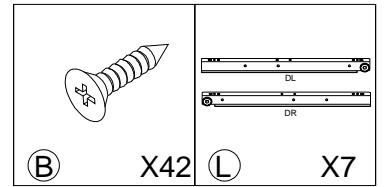
**X2**

**X1**

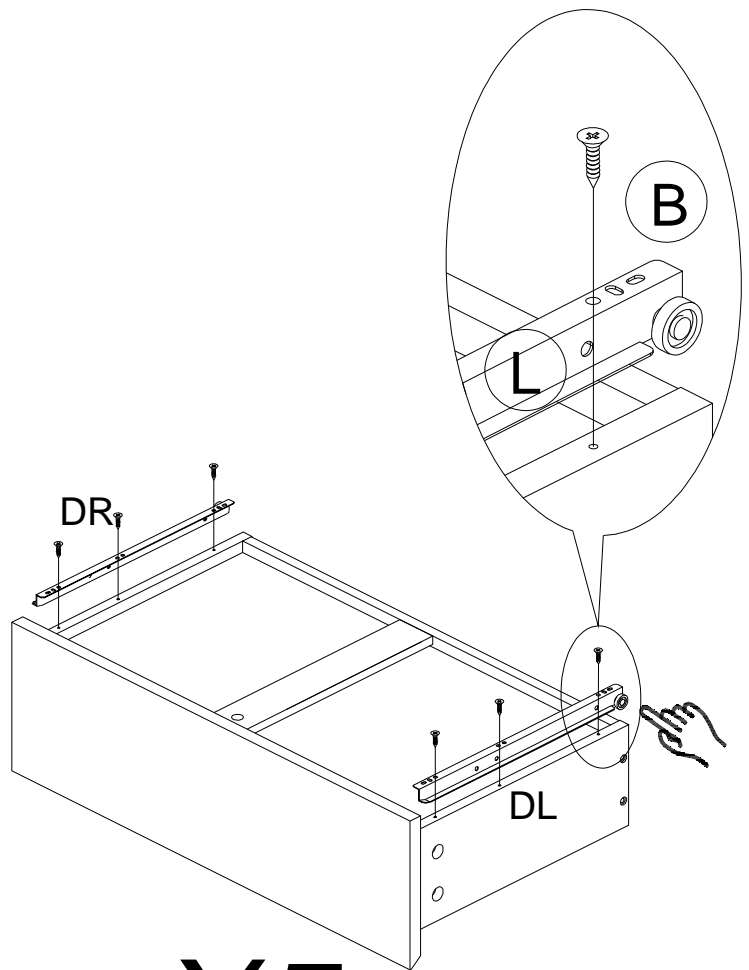


**X4**

# STEP 21

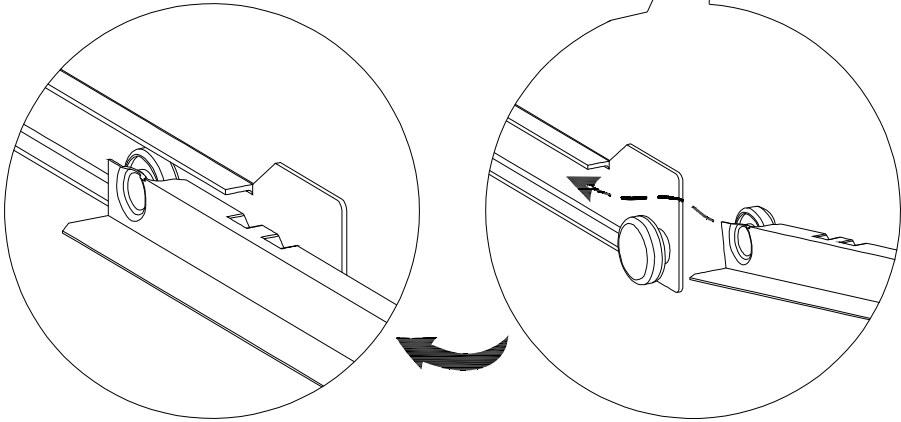
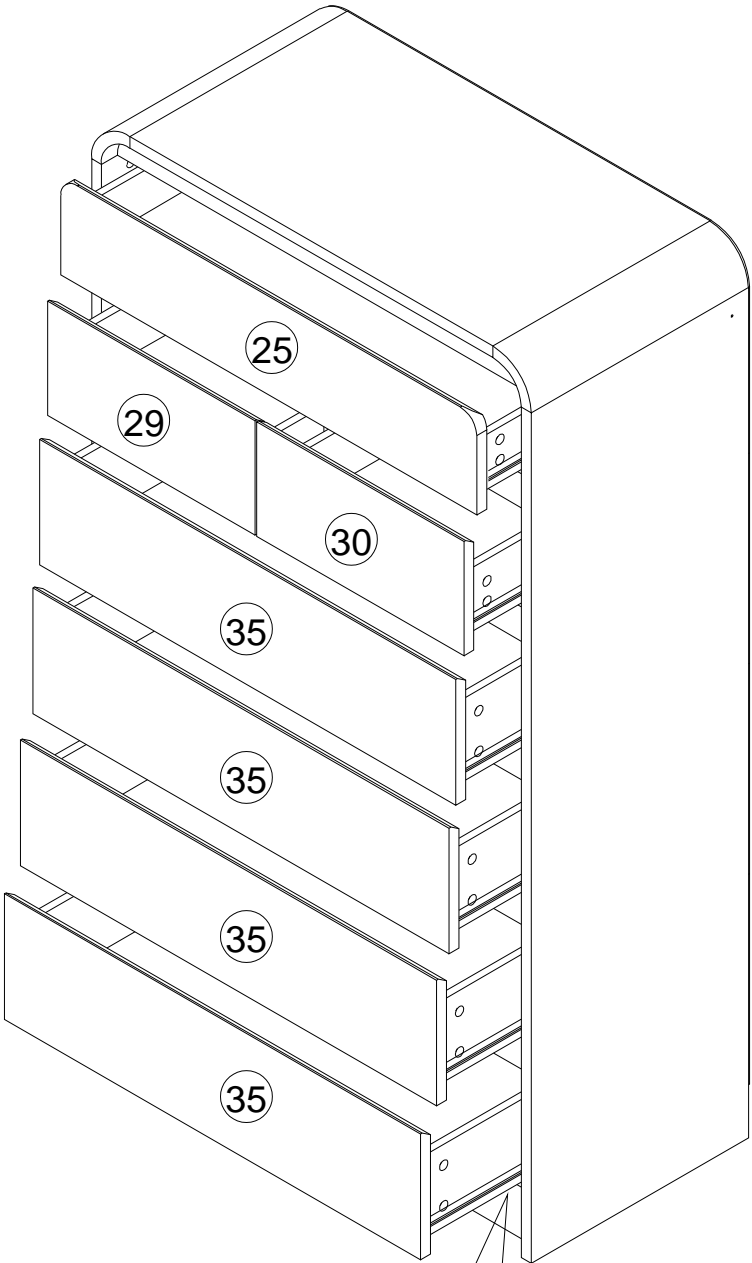


**X2**

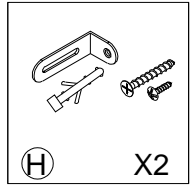


**X5**

# STEP 22



# STEP 23



<b>⚠ WARNING</b>	
	<b>Children have died from furniture tipover. To reduce the risk of furniture tipover:</b> <ul style="list-style-type: none"><li>• ALWAYS install anti-tip device provided.</li><li>• NEVER put a TV on this product.</li><li>• NEVER allow children to stand, climb or hang on any drawers, doors, or shelves.</li><li>• NEVER open more than one drawer at a time.</li><li>• Place heaviest items in the lowest drawers.</li></ul> <p><i>This is a permanent label. Do not remove!</i></p>

