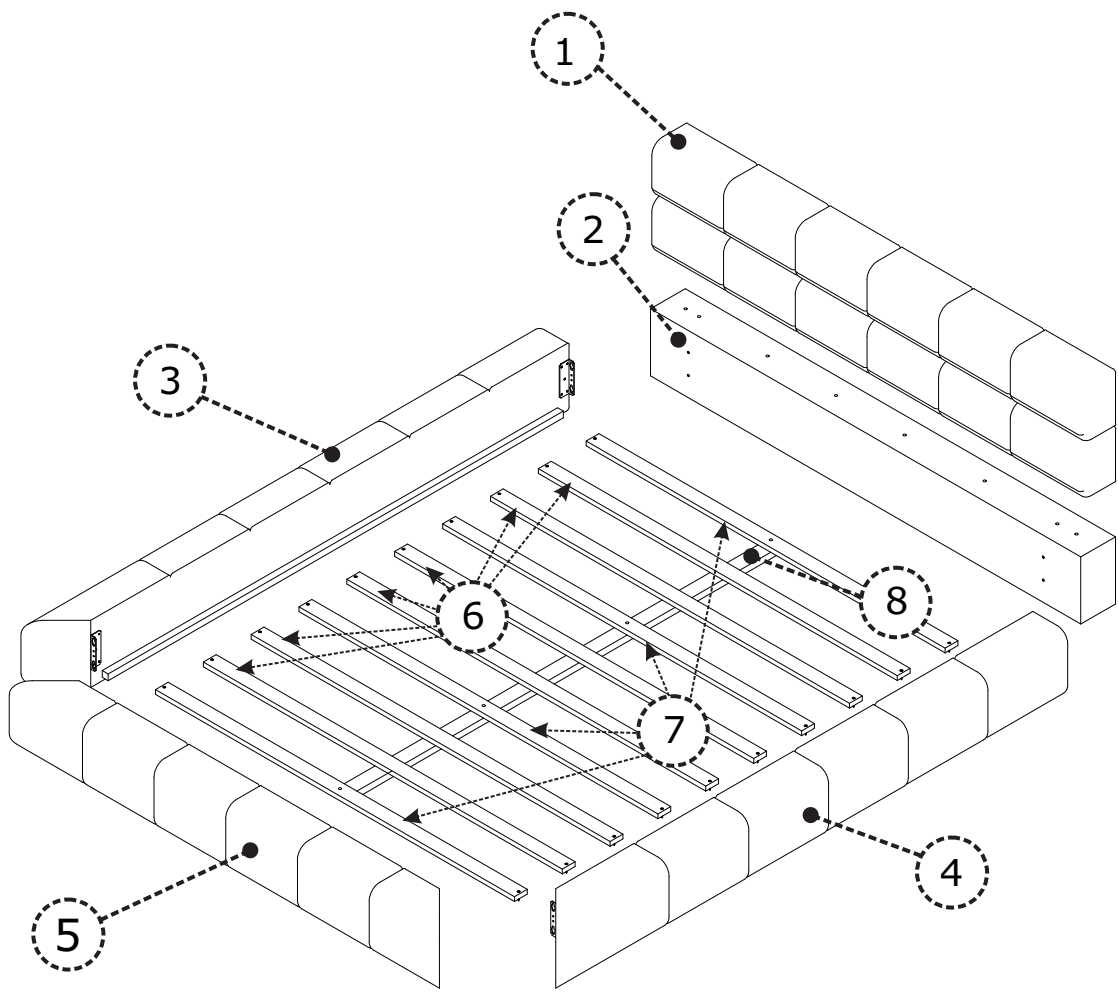


ASSEMBLY INSTRUCTIONS

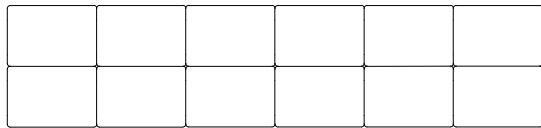


PARTS

Check that you've received
all parts listed below.

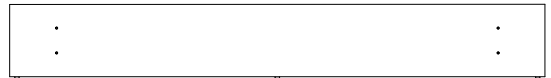
BOX: 1/2

① x 1



Head Board

② x 1



Head legs

⑤ x 1



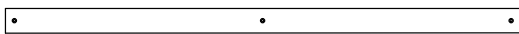
Foot Board

⑥ x 6



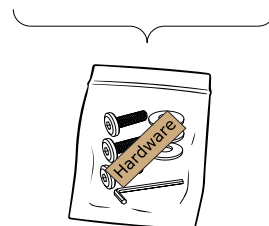
Flats

⑦ x 4



Flats

Hardware

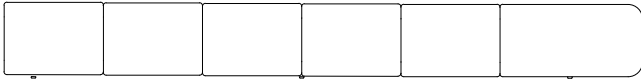


PARTS

Check that you've received
all parts listed below.

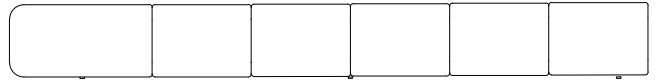
BOX: 2/2

3 x 1



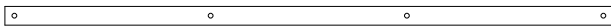
Side Board Left

4 x 1



Side Board Right

8 x 1



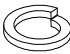







Support Slats

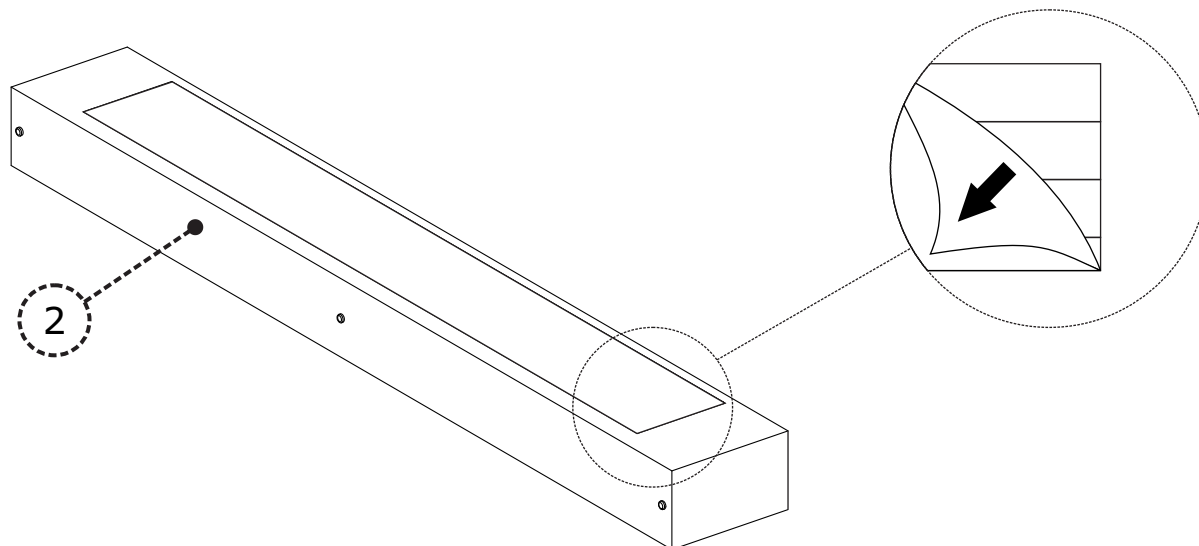
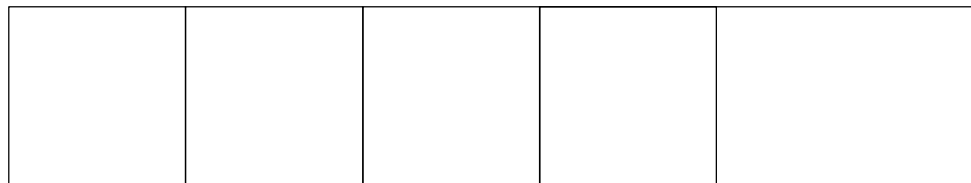
HARDWARE

Check that you've received all hardware listed below.

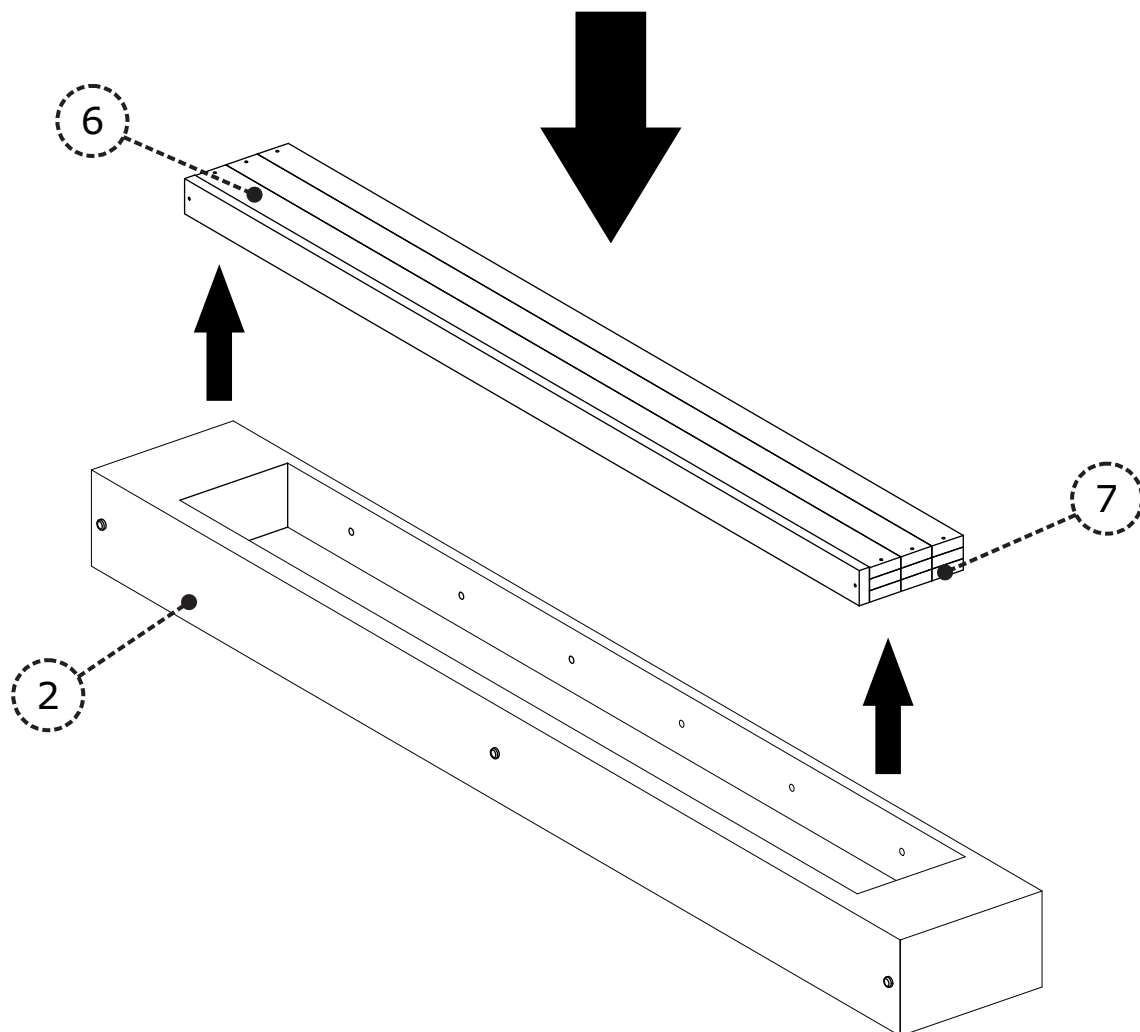
Hardware List

| No. | OUTLOOK | DESC | QTY |
|-----|---|--------------------------------|-----|
| (A) |  | Bolts 5/16"x38 mm | 12 |
| (B) |  | Plain washer Ø19x1.5 mm | 18 |
| (C) |  | Spring washer Ø13x1 mm | 18 |
| (D) |  | Allen key 80x30x4 mm | 1 |
| (E) |  | Bolts 5/16"x45 mm | 6 |
| (F) |  | Screws Ø4x30 mm | 20 |
| (G) |  | Dowel Ø10x30 mm | 2 |
| (H) |  | Adjust Foot 1/4"x15 mm | 3 |
| | | | |
| | | | |
| | | | |
| | | | |
| | | | |
| | | | |
| | | | |
| | | | |
| | | | |

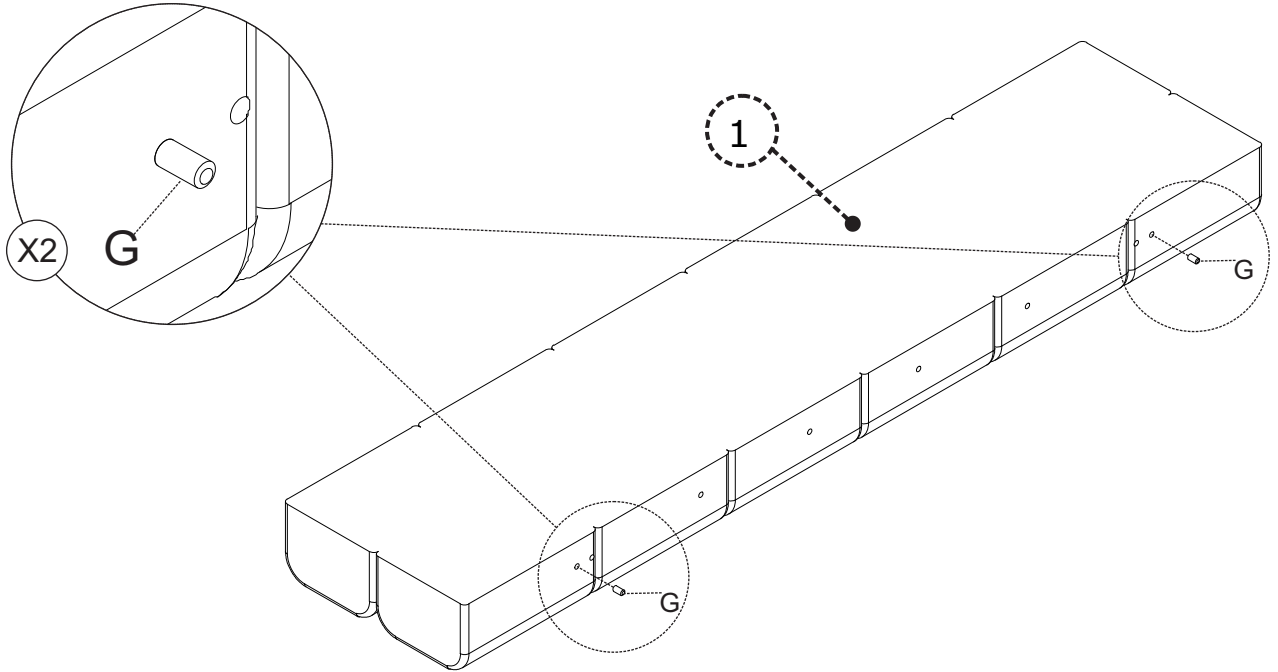
STEP 1



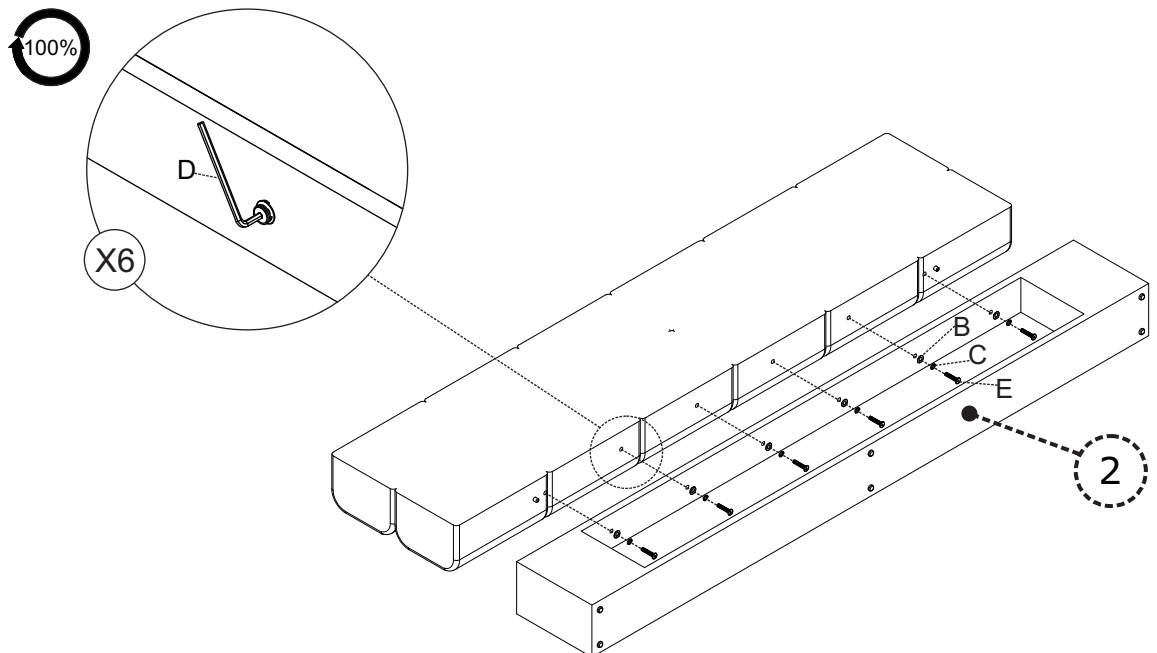
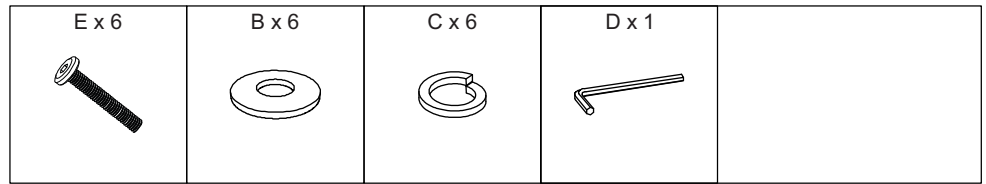
Open up the black fabric and take out details 6+7



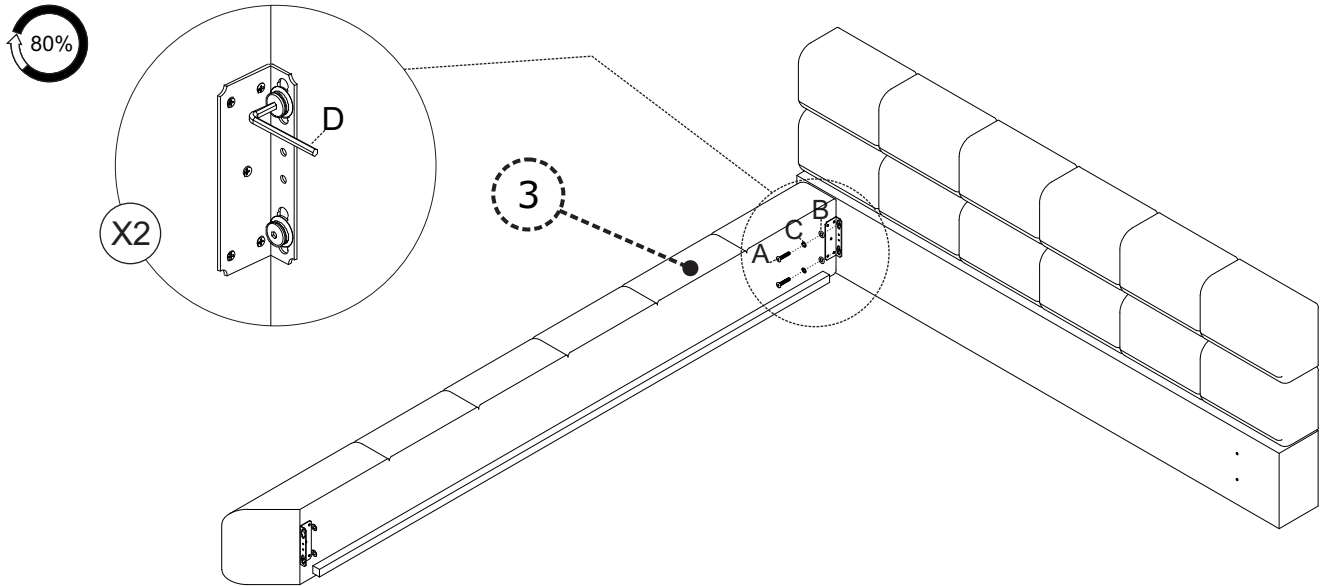
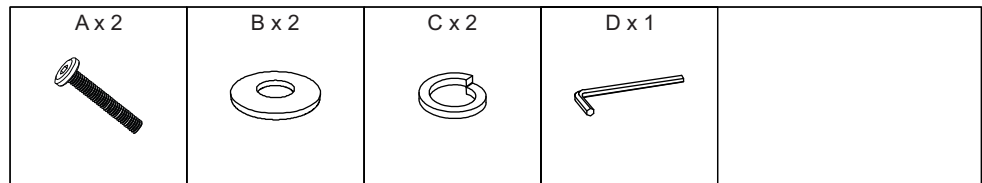
STEP 2



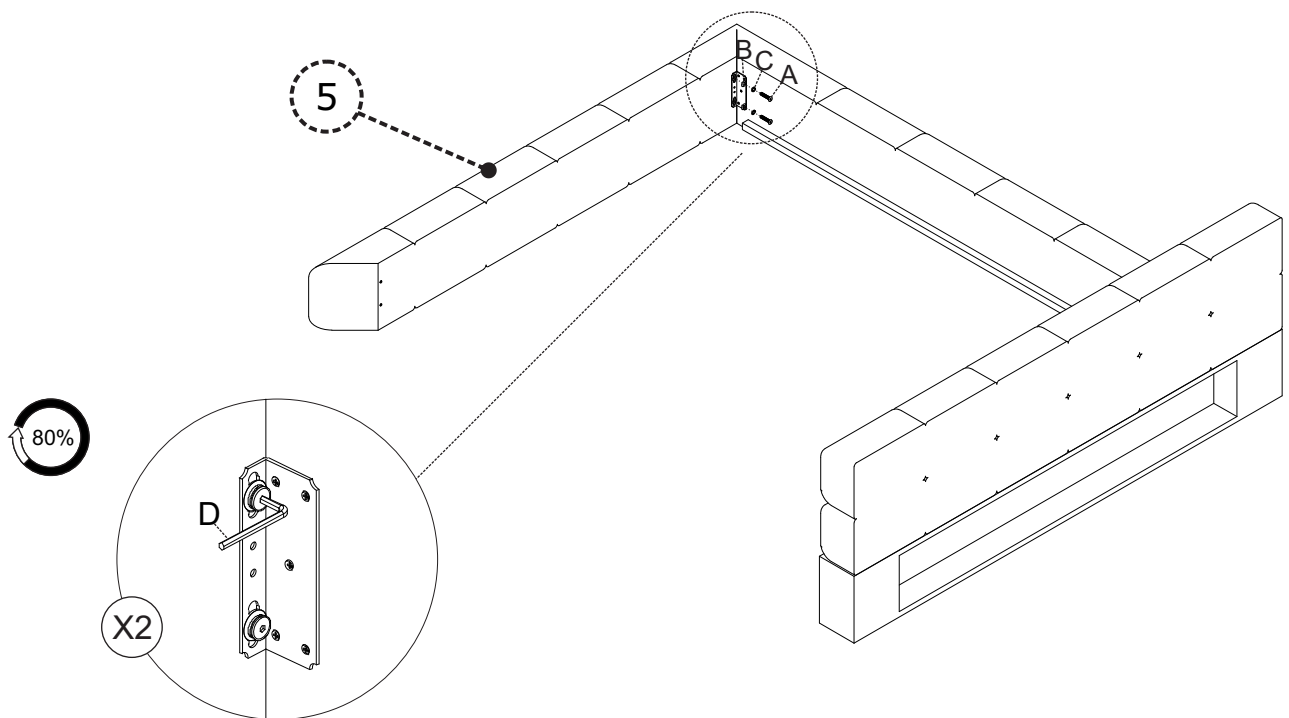
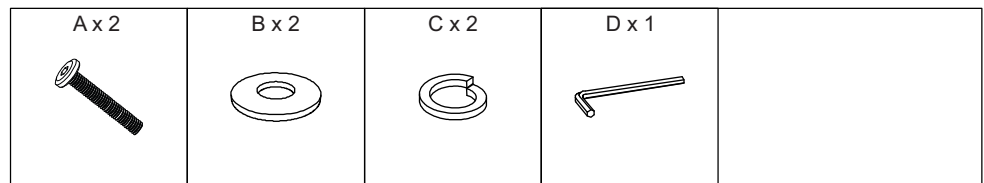
STEP 3







STEP 4

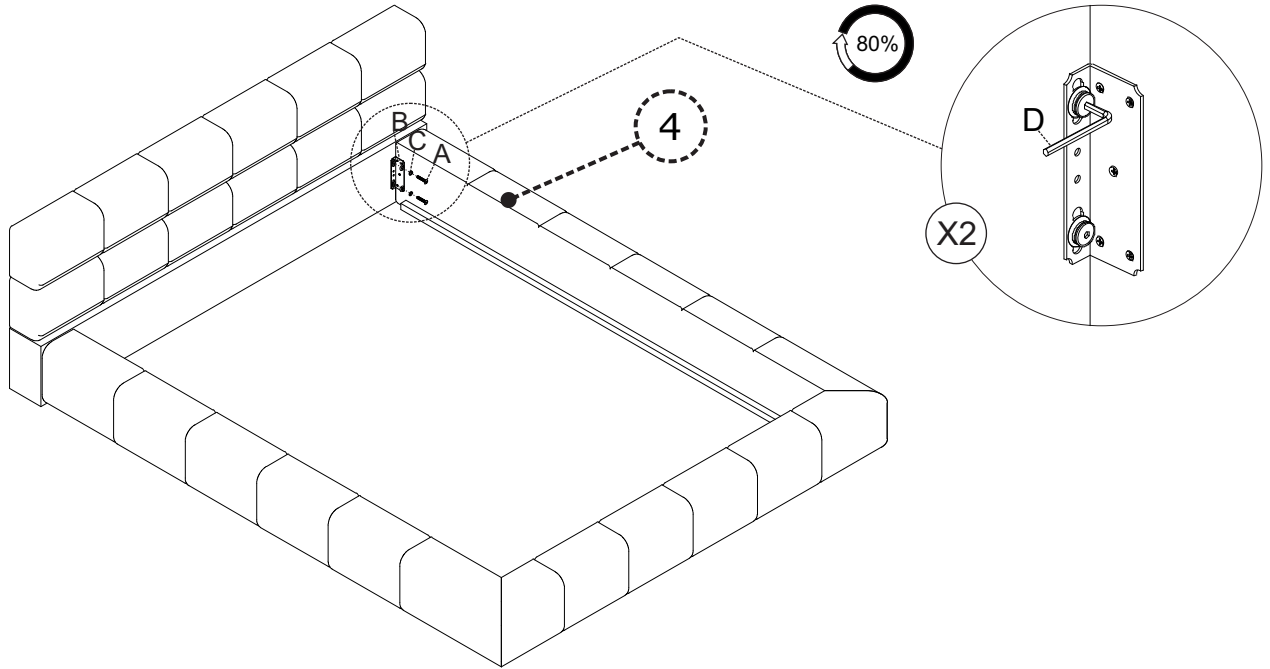


STEP 5







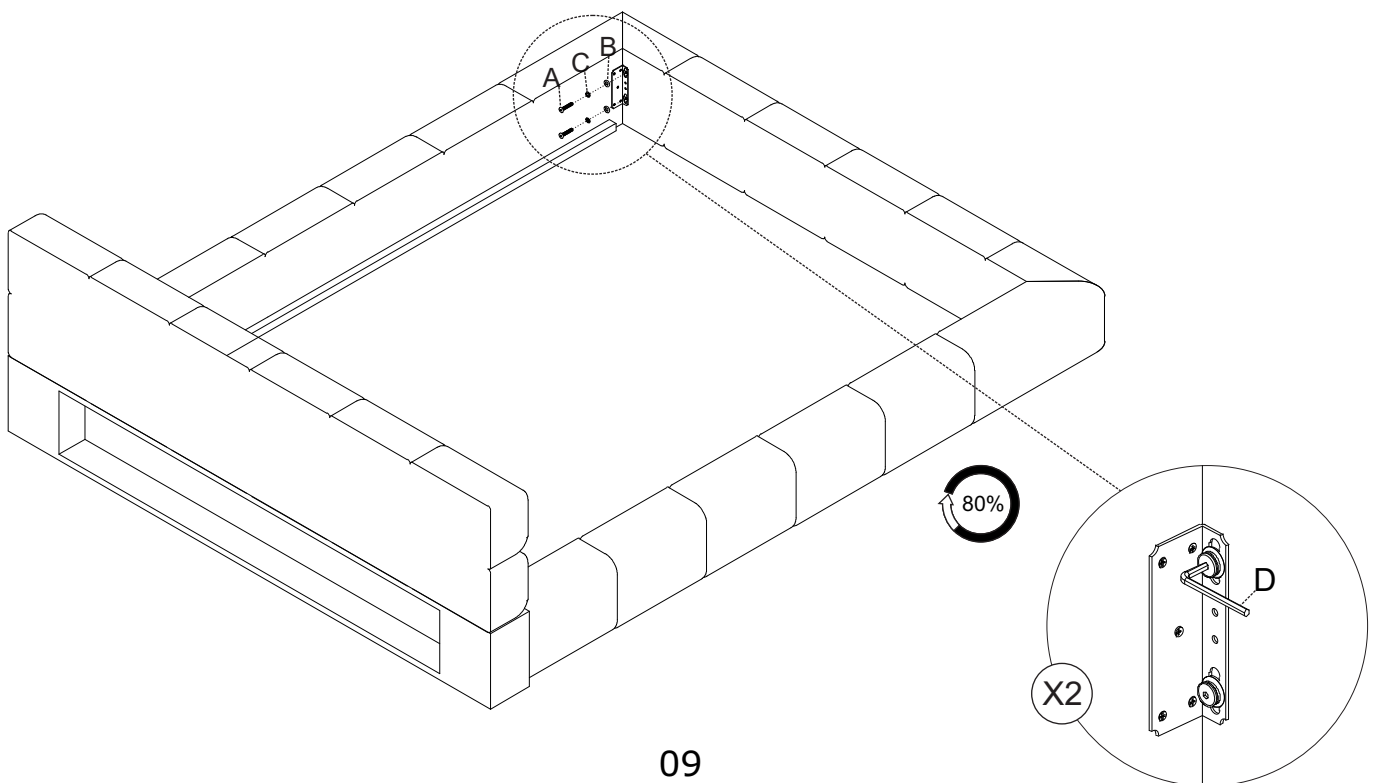
STEP 6

| | | | | |
|--|--|--|--|--|
| A x 2  | B x 2  | C x 2  | D x 1  | |
|--|--|--|--|--|

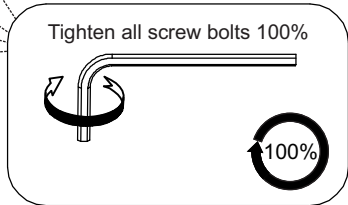
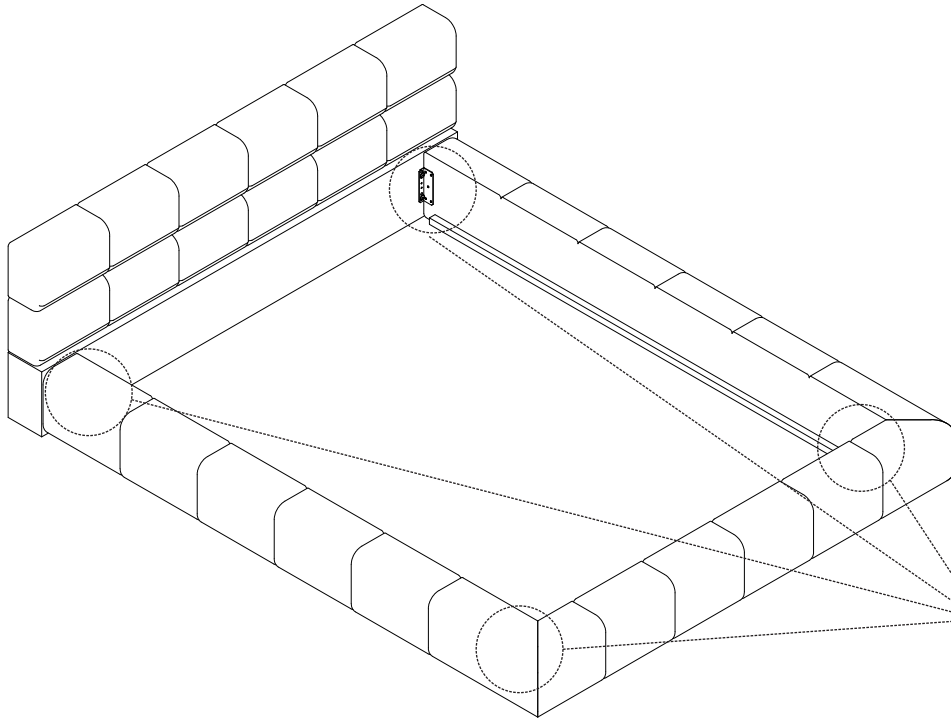
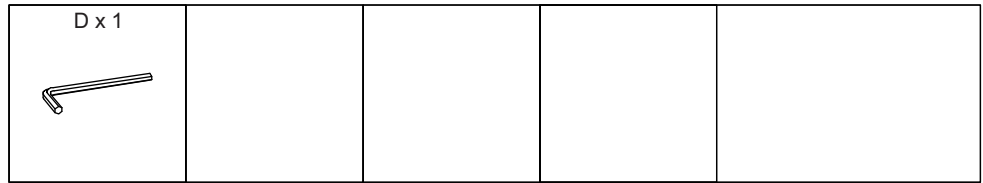


STEP 7

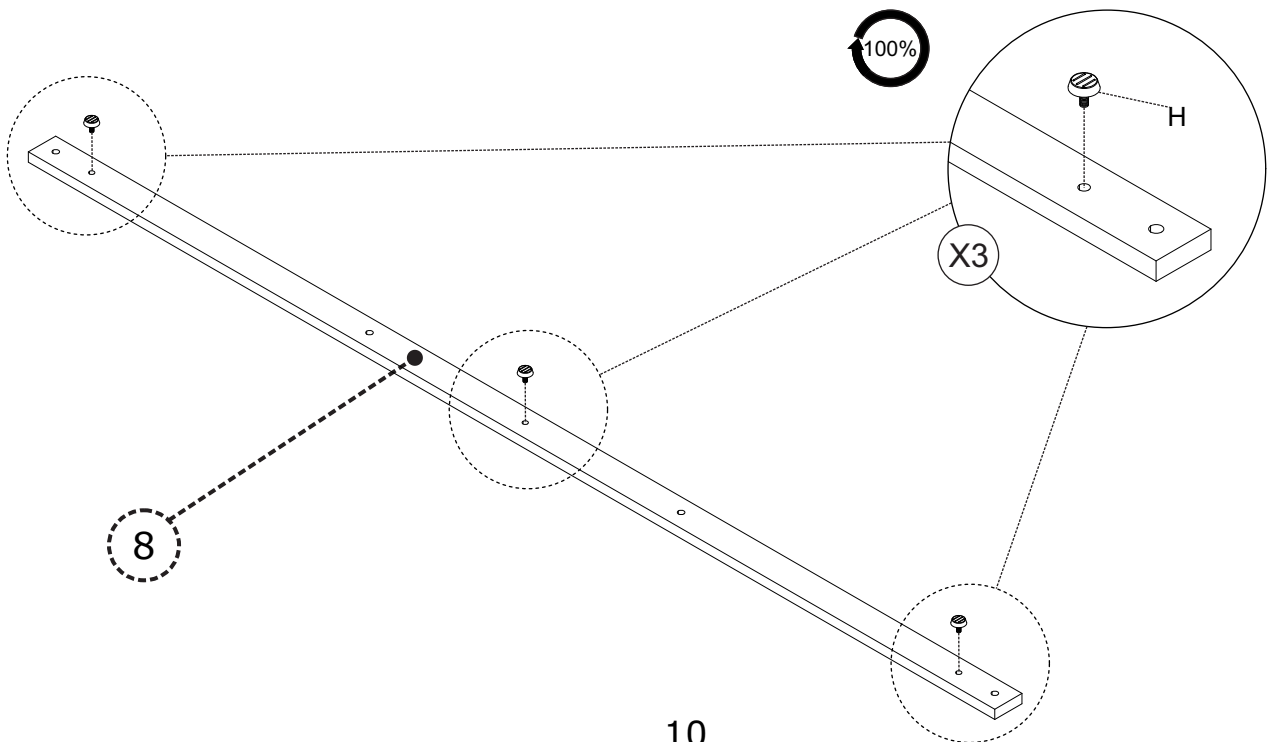
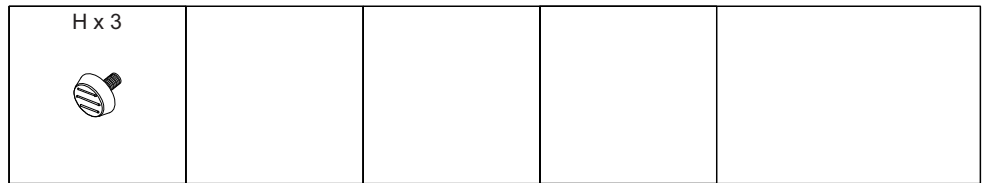
| | | | | |
|--|--|--|--|--|
| A x 2  | B x 2  | C x 2  | D x 1  | |
|--|--|--|--|--|



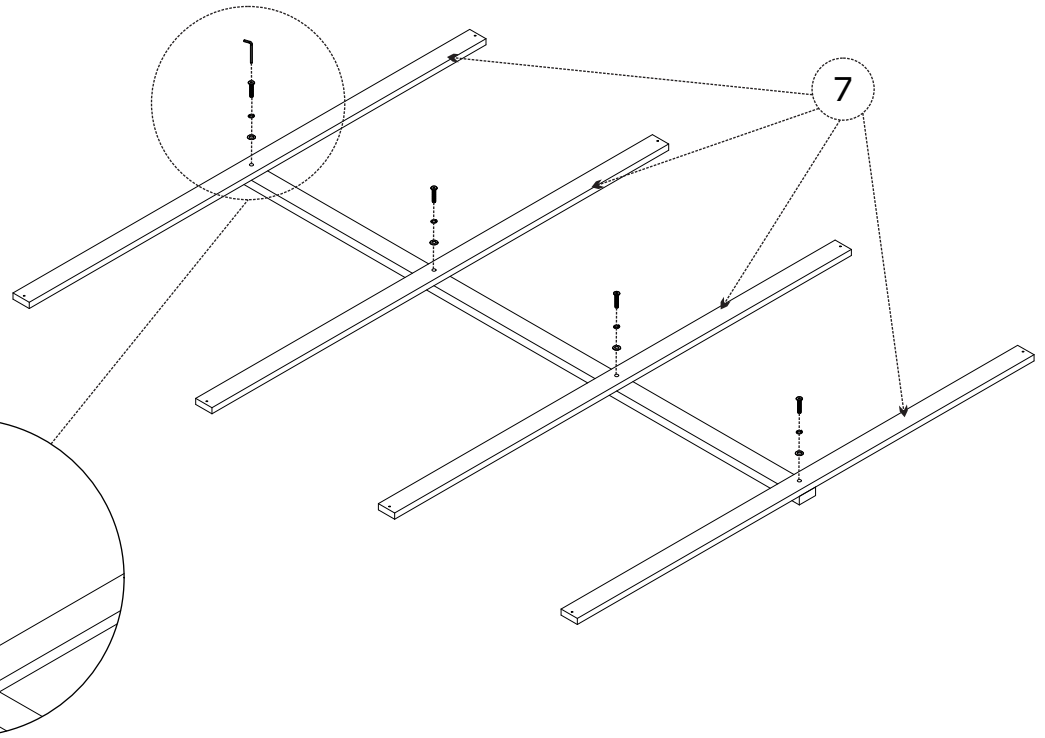
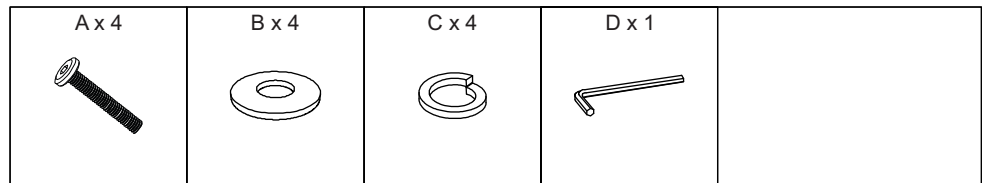
STEP 8



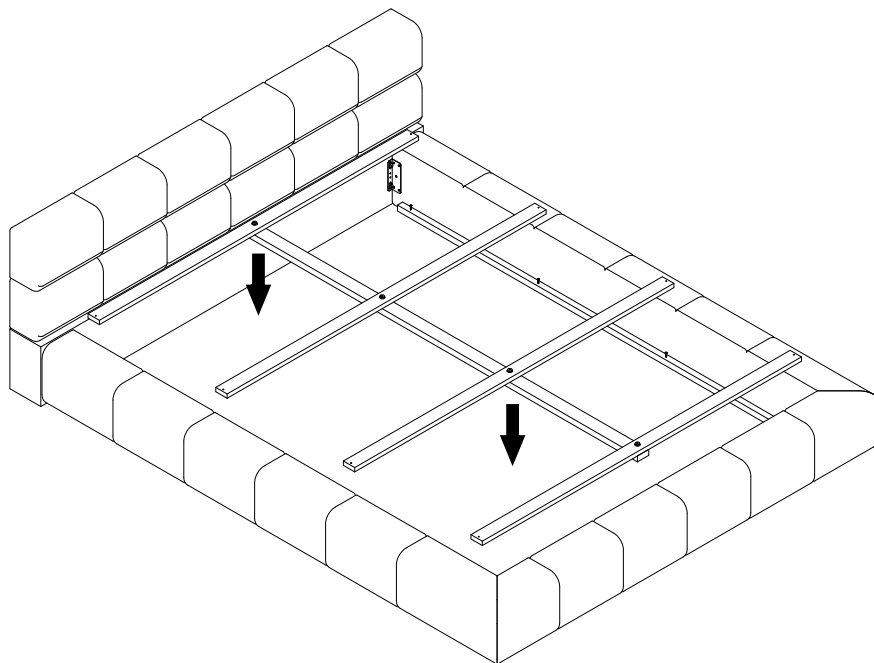
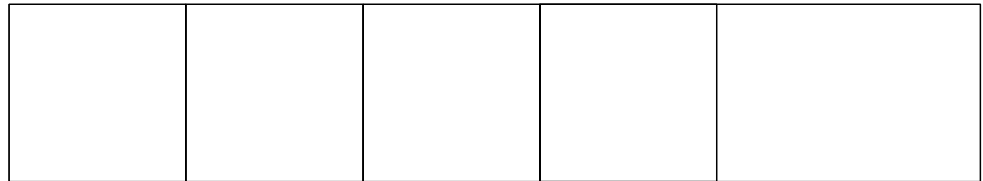
STEP 9



STEP 10



STEP 11



STEP 12

