

Wood Top Mount Waste Container

Installation Instructions for the CAN-TMDSC-15

Scan to watch the installation video
<http://delivr.com/2EPYJ>



IMPORTANT:

Before you begin, make sure you familiarize yourself with all the parts and fully read the instructions.

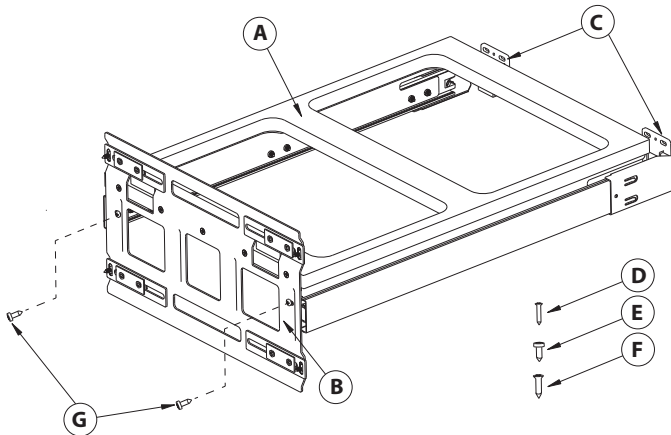
CUSTOMER SERVICE:

Toll free customer help line available weekdays between 7:00am and 6:00pm Central Time at 800-463-0660.

TOOLS NECESSARY:

Screw gun or Phillips screwdriver. Tape measure, level and square. NOTE: If screw gun has a clutch, set to lowest setting so as not to over tighten and/or strip screws.

PARTS IDENTIFICATION:



A	Wood Top Assembly	1 pcs
B	Door Mounting Metal Frame	1 pcs
C	Self Adjusting Rear Bracket Set (PAIR)	1 pcs
D	#6 x 5/8" Flat Head Phillips Wood Screw	9 pcs
E	#8 x 1/2" Pan Head Phillips Wood Screw	8 pcs
F	#8 x 5/8" Flat Head Phillips Wood Screw	4 pcs
G	M4 x 10 Pan Head Phillips Machine Screw	2 pcs
H	Double Sided Tape (Not shown)	4 pcs

STEP 1 - Determine Mounting Location

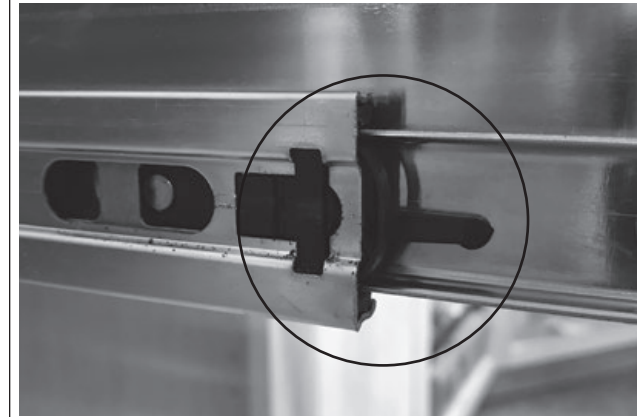
For a cabinet with drawer, mark from bottom of face frame 14-1/2".

For a full height base cabinet, mark from bottom of face frame 14-1/2" minimum and 22-3/8" maximum.

STEP 2 - Install Self Adjusting Rear Brackets, Left and Right

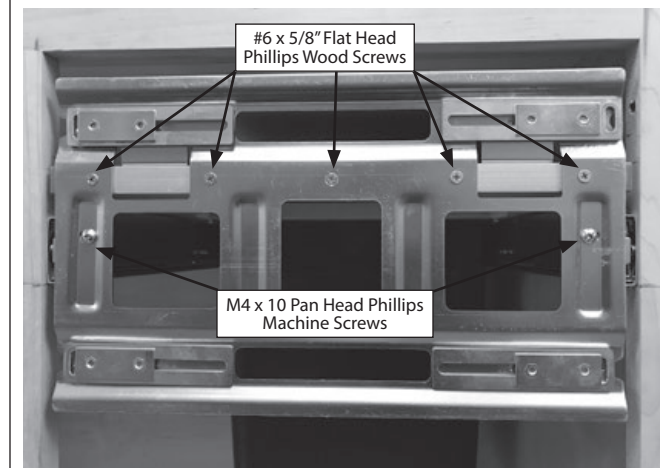
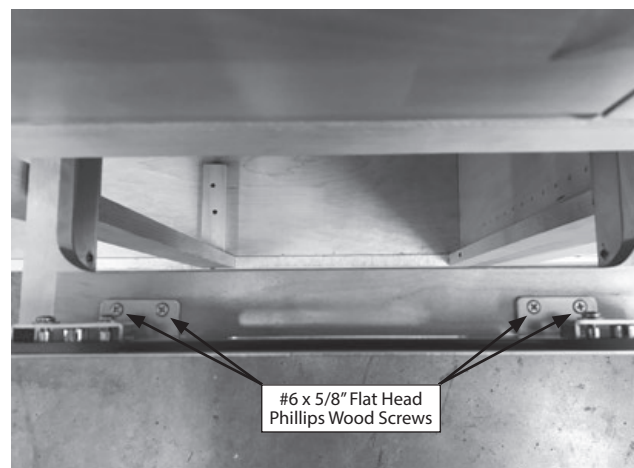
Using a framing square and level mark the mounting location of the rear brackets and install each Bracket with two (2) #8 x 1/2" Pan Head Phillips Wood Screws provided.

STEP 3 - Install Slides



Separate the slides using the black separation arms shown above. Install cabinet member of the slide at your desired mounting location with one (1) #8 x 1/2" Pan Head Phillips Wood Screws provided.

STEP 4 - Prepare Wood Top Assembly for Install



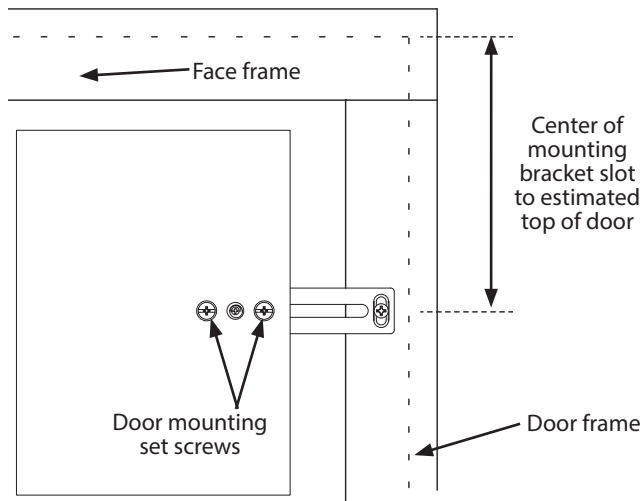
Placing the Wood Top Assembly on a flat surface, place the Door Mounting Metal Frame on the Wood Top as shown above and align with the pre-drilled holes. Secure in each location shown with #6 x 5/8" Flat Head Phillips Wood Screws provided. Then install the two (2) M4 x 10 Pan Head Phillips Machine Screws into the front of the slides brackets as shown.

**STEP 5 -
Install Pullout Unit**



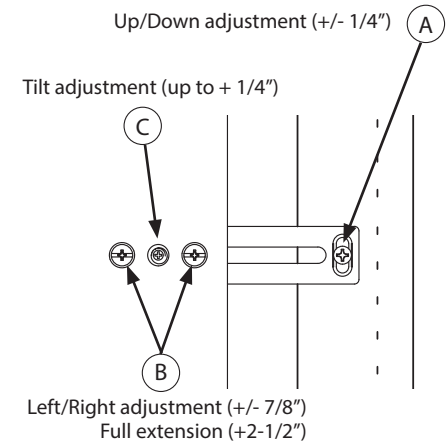
Install the Final Assembly into the cabinet by aligning the slides and pressing the unit into the cabinet until the soft-close mechanism engages.

**STEP 6 -
Install Door**



Loosen the door mounting set screws and slide bracket out to desired position to attach to the door rail. Measure from the center of the slot on the door mounting bracket to the estimated top of door. Mark door with measurement for both top brackets. Install door with the four (4) #8 x 5/8 Flat Head Phillips Wood Screws provided. (NOTE: DETERMINE CORRECT SCREW LENGTH TO DOOR PANEL THICKNESS.) Double sided tape included with hardware to assist with door installation.

**STEP 7 -
Door Mounting Adjustments**



To adjust door up or down loosen door mounting screws (A). To adjust left or right, loosen both set screws (B) adjust and retighten. To adjust tilt, loosen both set screws (B) and then turn tilt screw (C) clockwise to desired distance and then retighten set screws.

**STEP 8 - Secure Self-Adjusting
Bracket and Install Cans**



Once door is installed and aligned, cycle the unit a couple of times making sure the soft-close is working correctly. Then open the unit all the way and install into the center of each of the self-adjusting rear brackets one (1) #8 x 1/2" Pan Head Phillips Wood Screw to hold the bracket in place. Install trash cans.