

KM-08

Assemble Instructions

Hardware Identification



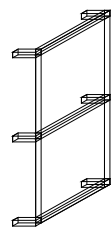
Ⓐ M6*10x24PCS



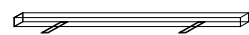
Ⓑ M6x1PC

Part Identification

①x2PCS



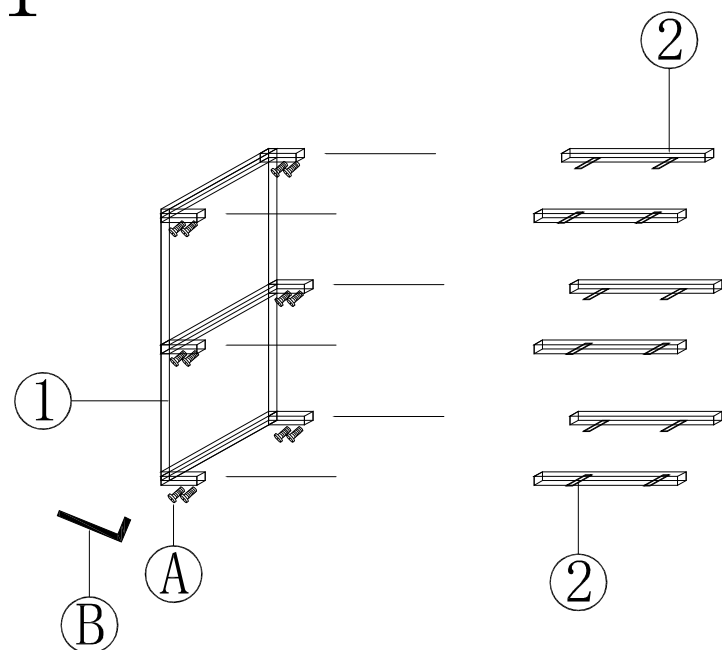
②x6PCS



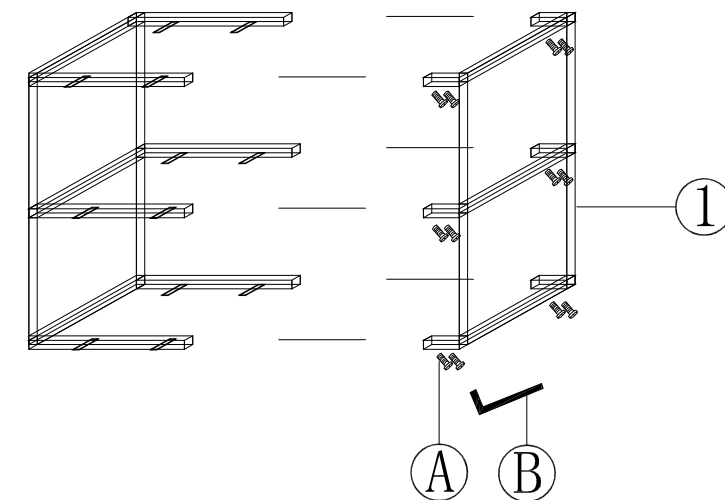
③x3PCS



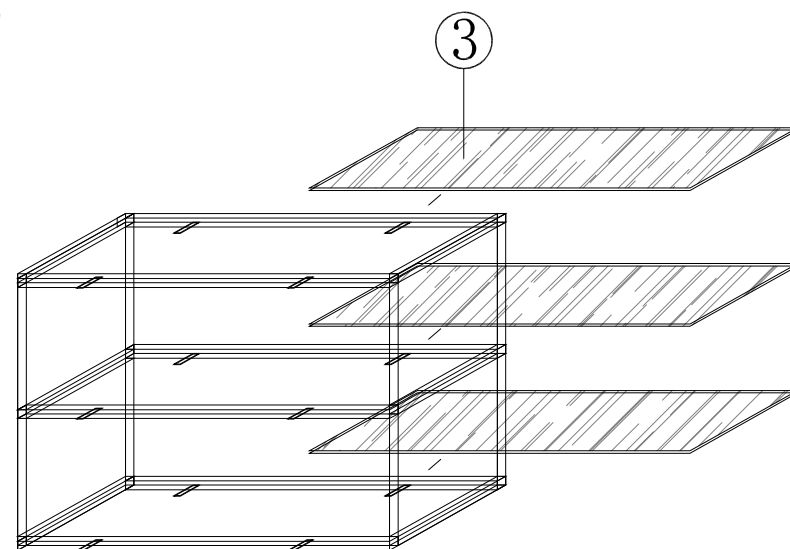
1



2



3



4

