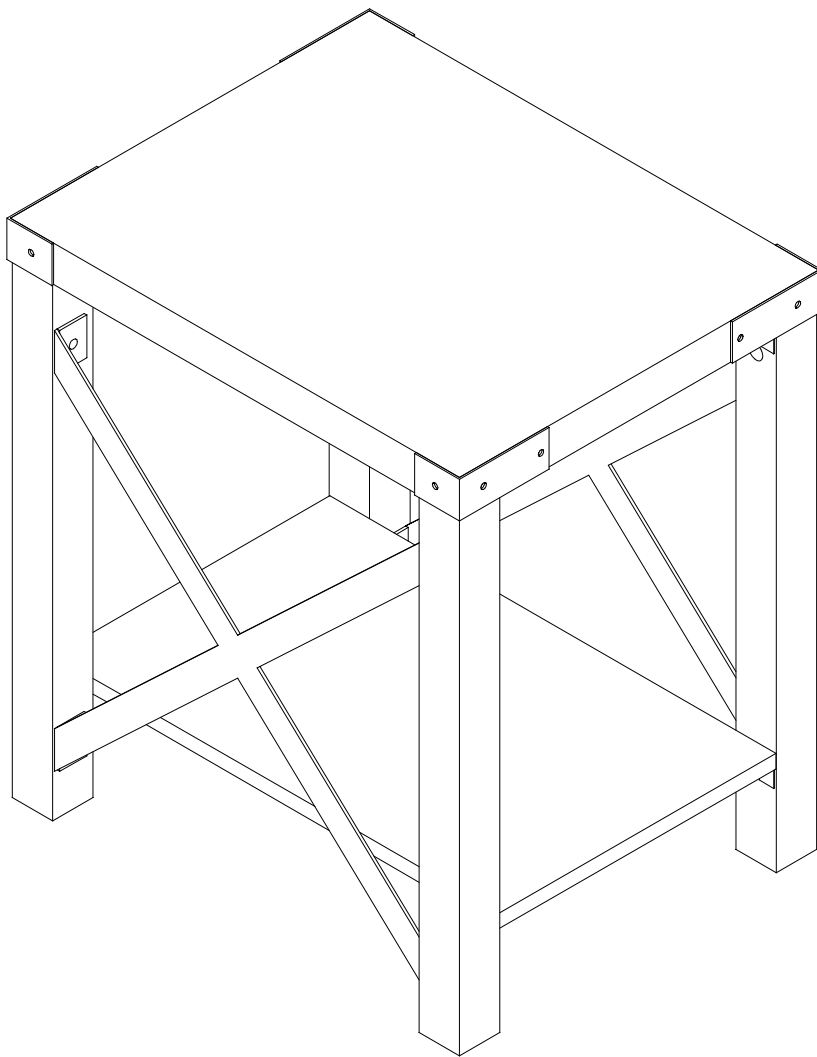


ASSEMBLY INSTRUCTION

Thank you for purchasing the quality product. Be sure to check all packing material carefully for small parts which may have come loose inside the carton during shipment. Separate, identify and count all parts and metal hardware. Compare with all parts list to be sure all parts are present. If any part(s) are missing or damaged, please contact your local furniture dealer. For efficient and speedy service, please indicate the model number and code letter of part(s) needed.

*****Do not fully tighten screws until fully assembled*****

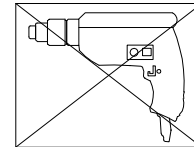


Attention:

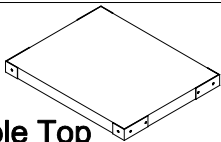
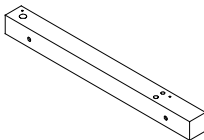
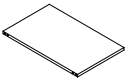
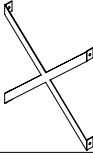
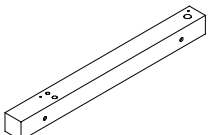
*****Some number parts listed on the instruction sheet may not be in parts bag as they may already be assembled. Carefully check parts and packing materials prior to ordering replacements.**

General Assembly Guidelines



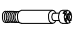





- I. Ensure that all parts and hardware are available before beginning assembly.
- II. Follow each step carefully to ensure the proper assembly of this product.
- III. Two people are recommended for ease in the assembly of this product.
- IV. The three main types of hardware used to assemble this product are: wood dowels, screws and bolts.
- V. Power tools should not be used to assemble this product.

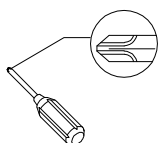


COMPONENT PARTS

DESCRIPTION	PART NAME	QTY(PCS)	DESCRIPTION	PART NAME	QTY(PCS)
①	 Table Top	1	④	 Legs	2
②	 Shelf	1	⑤	 Metal Tube	2
③	 Legs	2			

Hardware List

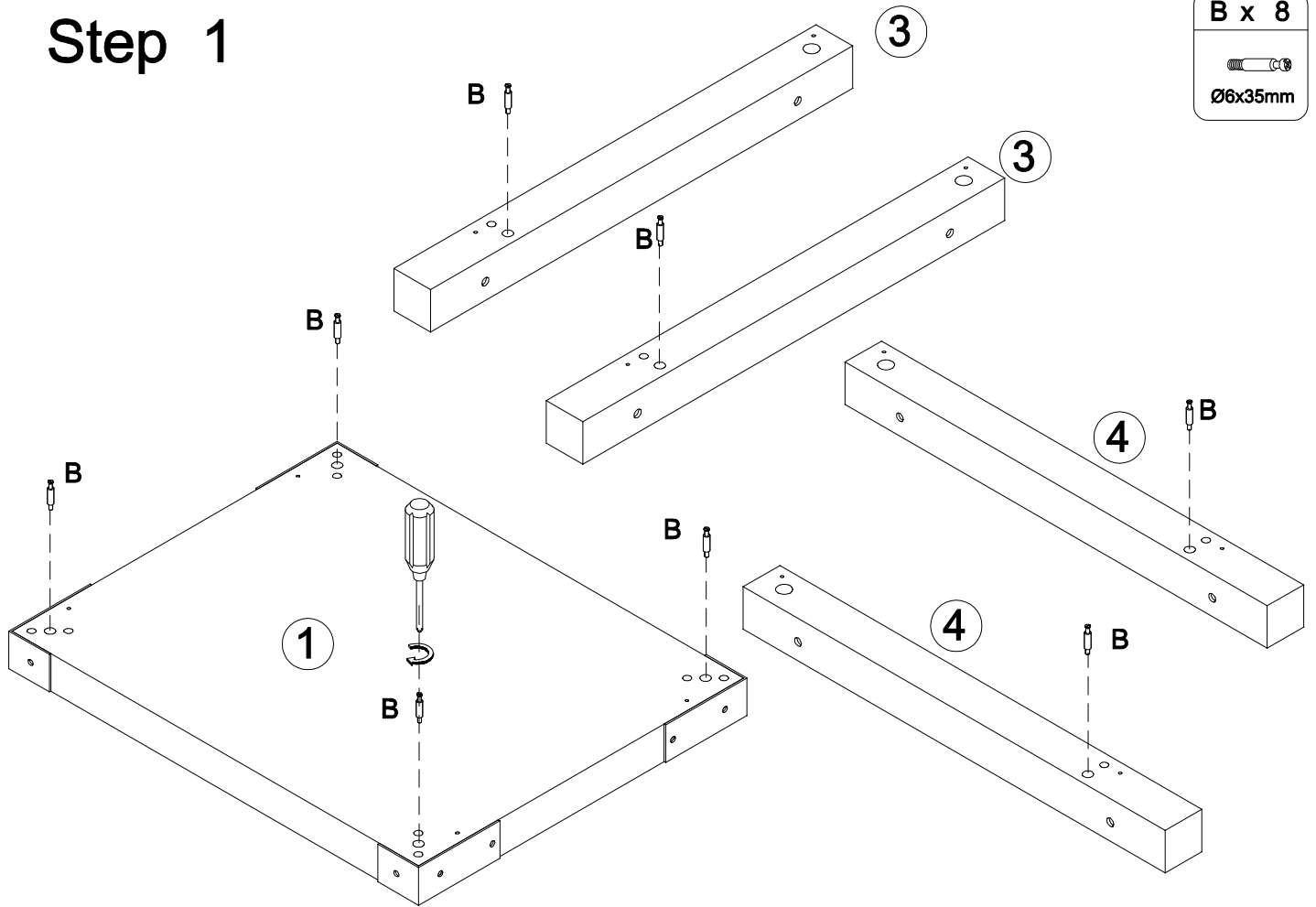
A		Ø8x30mm	Wooden dowel	12 pcs	E		Corner code	8 pcs
B		Ø6x35mm	Cam bolt	8 pcs	F		Ø3.5x14mm Screw	16 pcs
C		Ø15x11mm	Cam lock	8 pcs	G		Ø1/4"x12mm Bolt	8 pcs
D			Sticker	8 pcs	H		4mm Allen Key	1 pcs



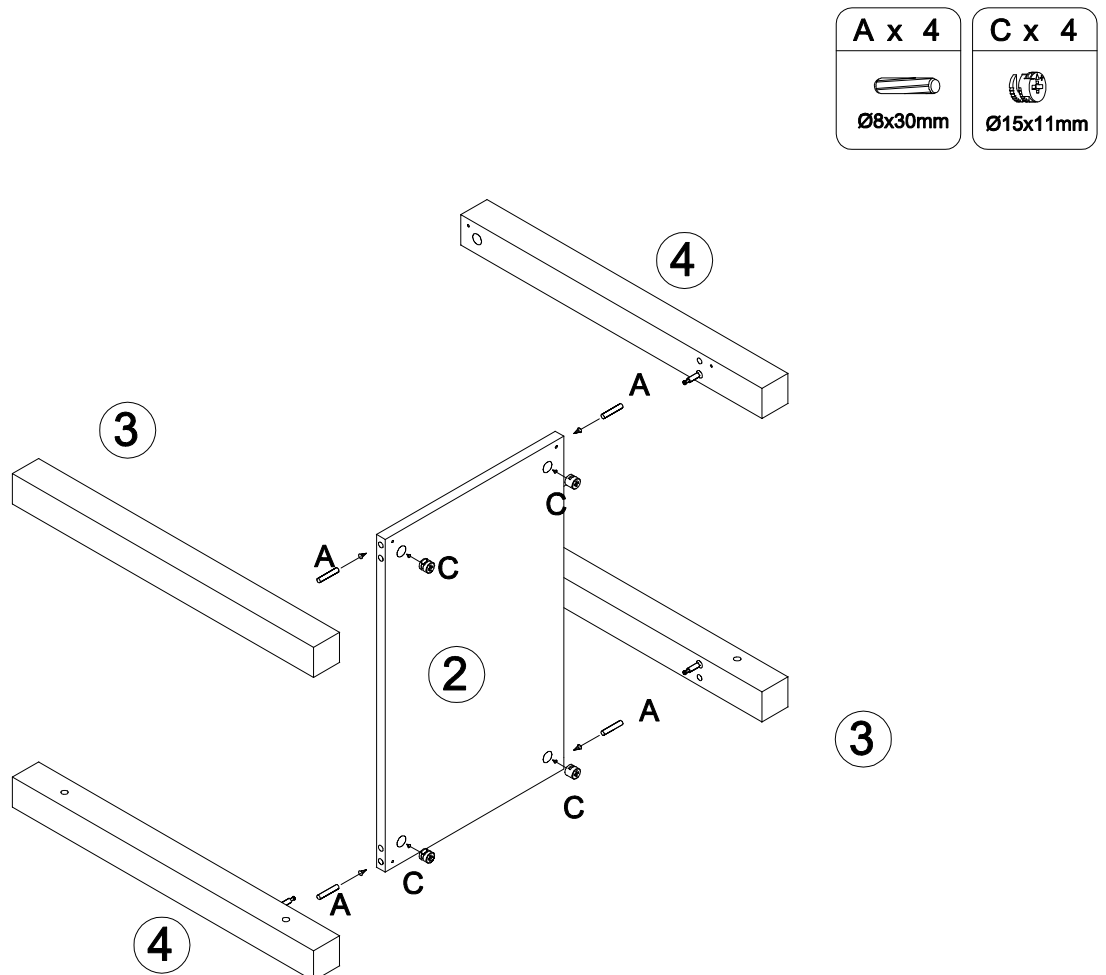
Philips head screwdriver required for assembly
(not included)

*The hardware quantities listed above are required for proper assembly.
Some extra hardware may also have been included.*

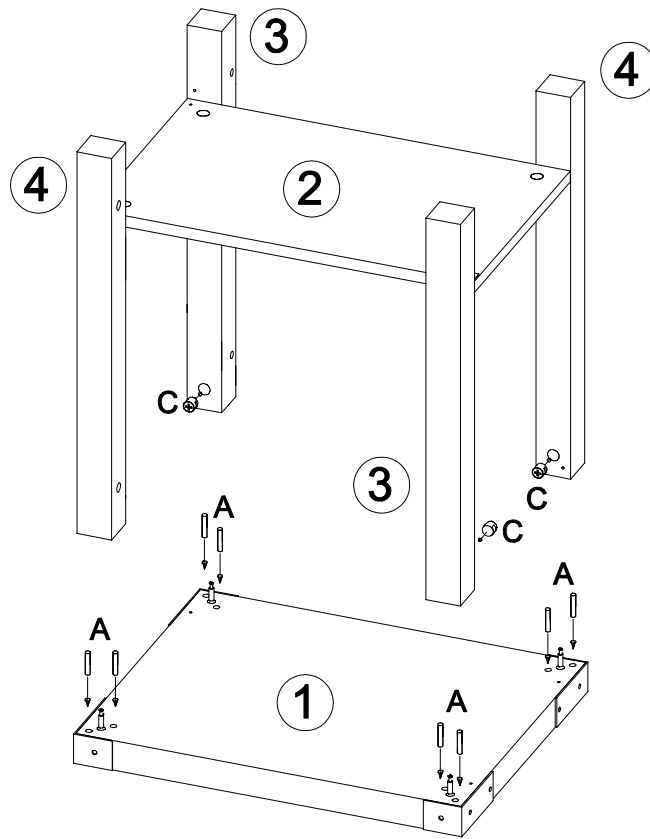
Step 1





Step 2

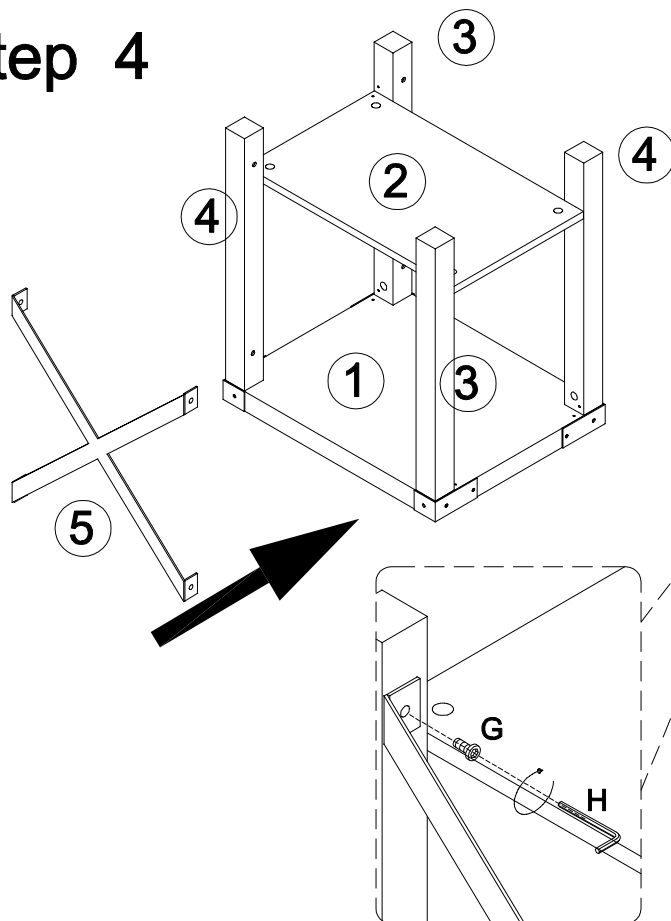




Step 3



A x 8	C x 4
	
Ø8x30mm	Ø15x11mm

Step 4

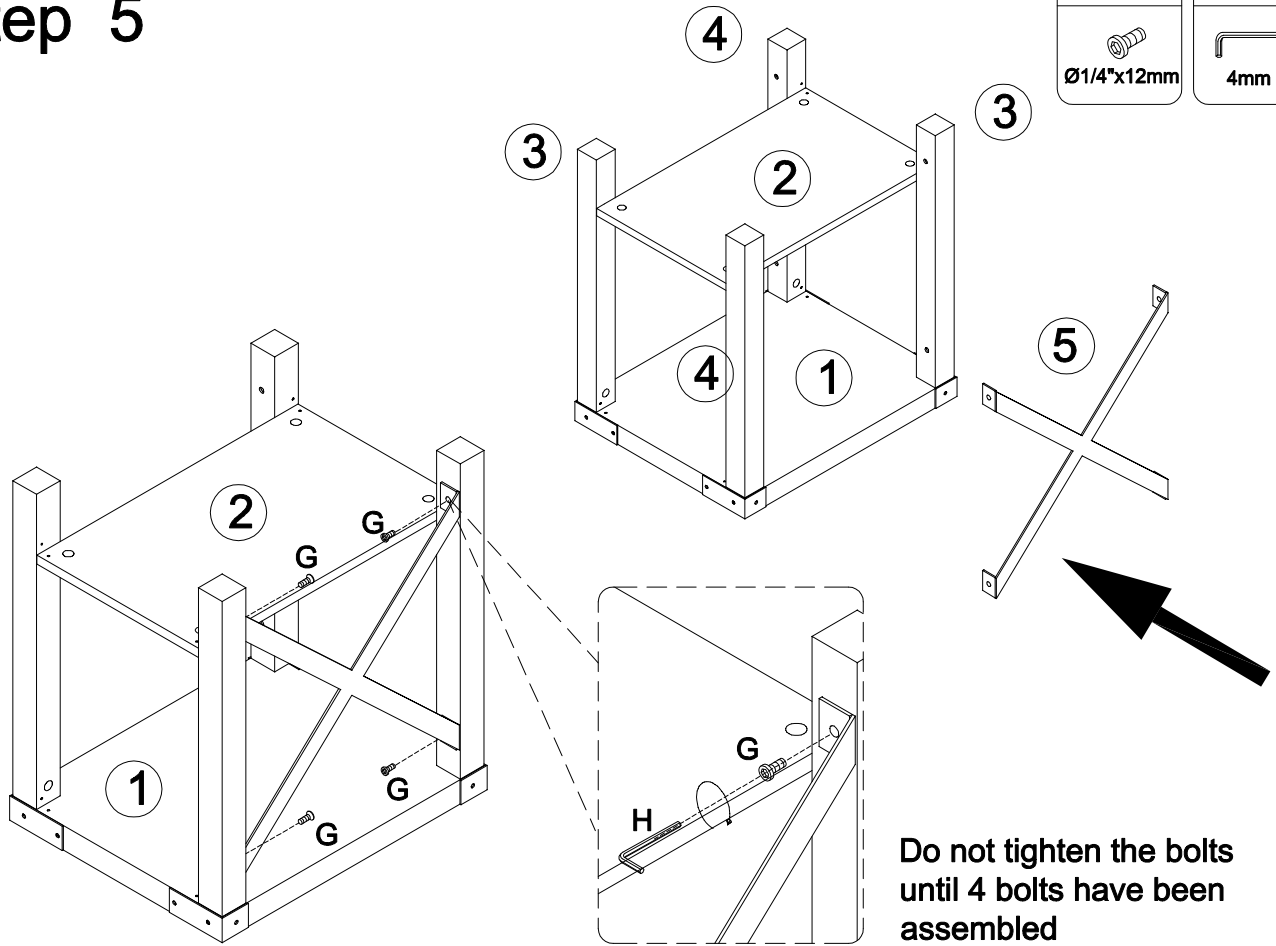


G x 4	H x 1
	
Ø1/4"x12mm	4mm

Do not tighten the bolts until 4 bolts have been assembled

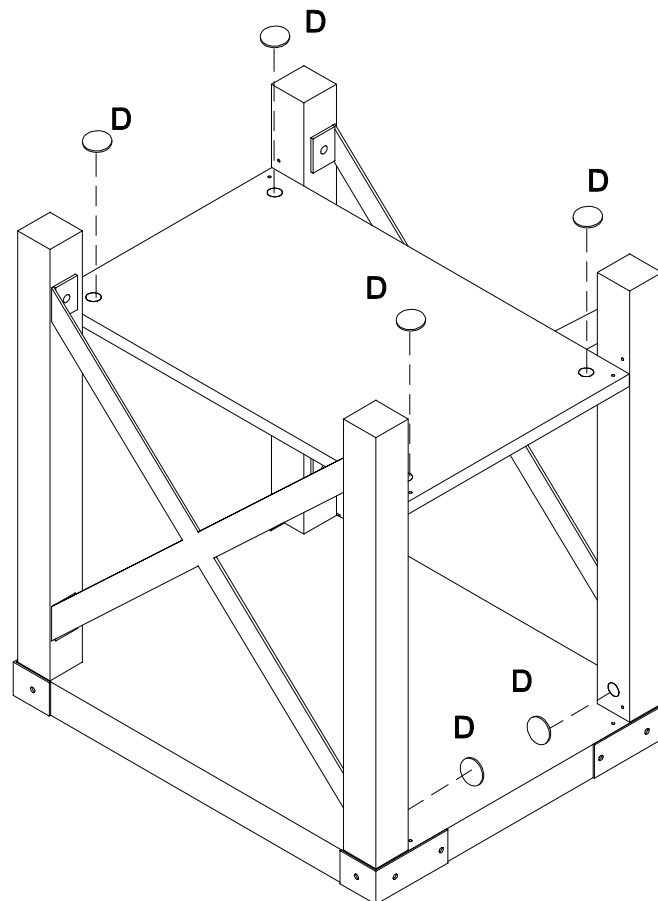
Step 5

G x 4 Ø1/4"x12mm	H x 1 4mm
---------------------	--------------


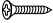


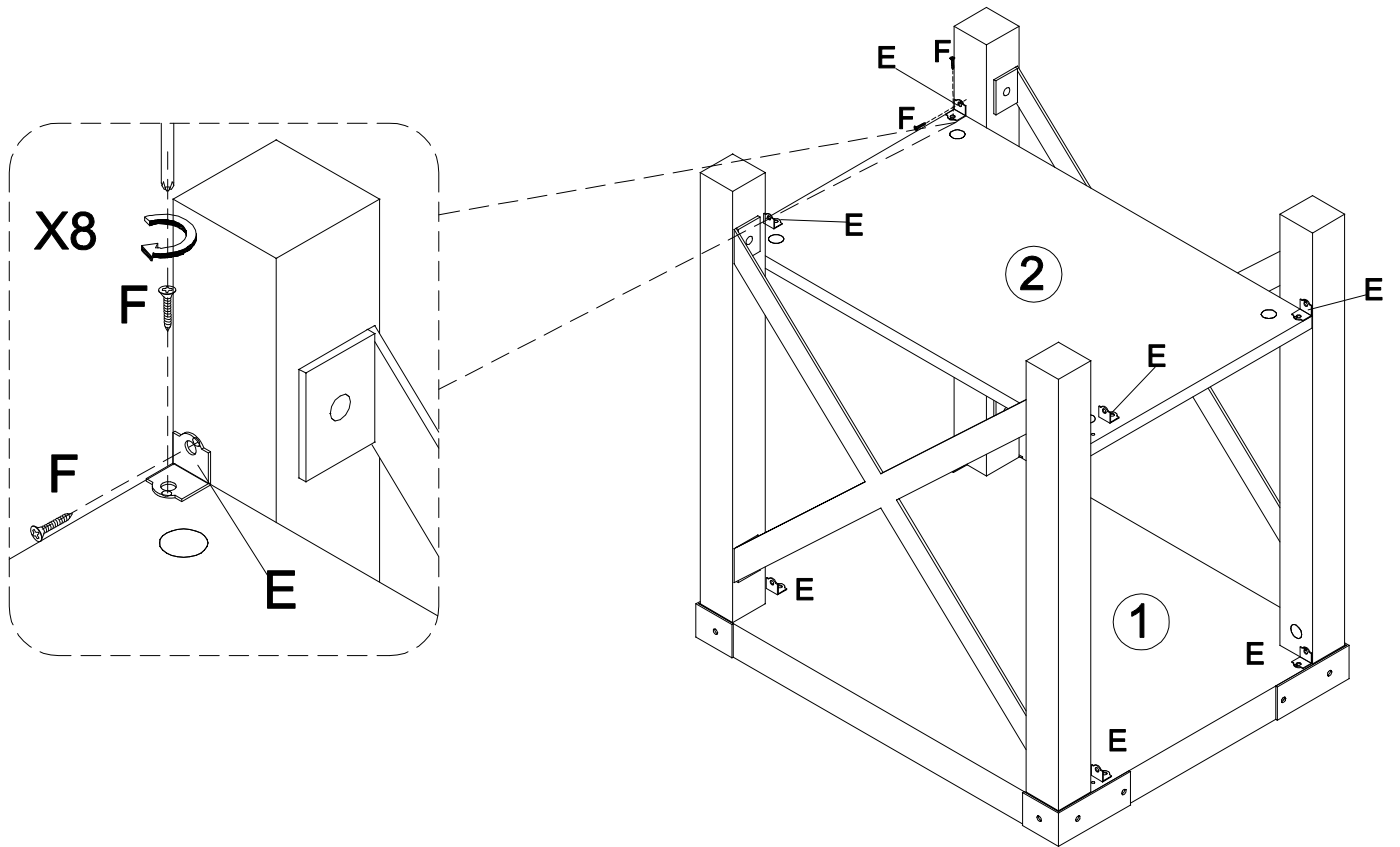
Step 6

D x 8



Step 7

E x 8	F x 16
	
	Ø3.5x14mm



Step 8

