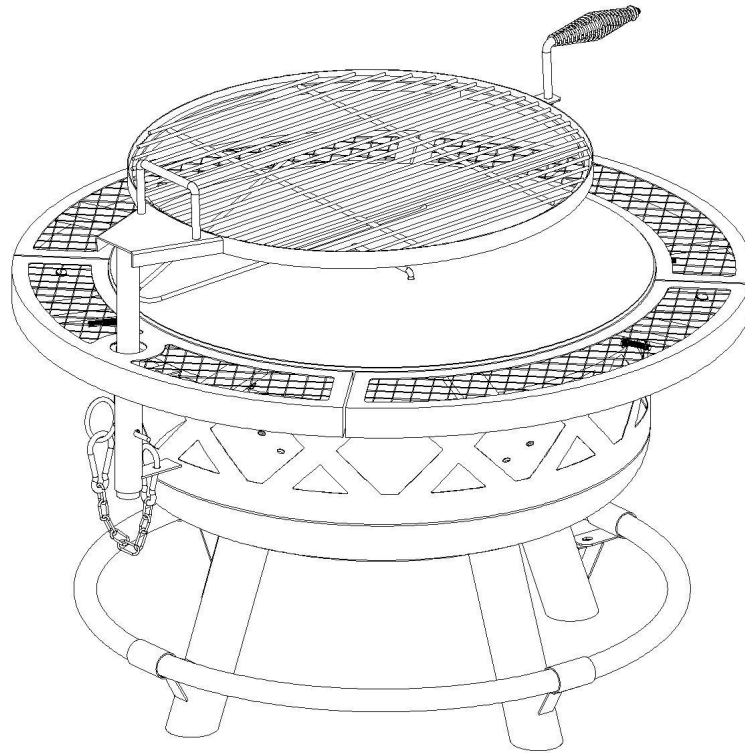


# Assembly Instruction



## INSTRUCTION MANUAL

### Outdoor Multifunctional Patio Backyard fire Pit

## **WARNINGS:**

- This fire bowl is intended for outdoor use only. Do not use on wooden decks.
- This fire bowl is intended to burn wood logs only. Do not burn coal, leaves, or other combustible materials in the fire bowl.
- Not for use by children. Keep children and pets away from the fire bowl.
- The fire bowl is hot. Use with caution. Do not touch the hot fire bowl with bare hands.
- Never leave the burning fire bowl unattended, and always extinguish the fire completely before leaving the fire bowl.
- Do not use near flammable or combustible objects or materials.
- When the fire bowl is in use, the handle on the mesh screen can reach extreme temperatures that can cause serious injury to an unprotected hand. Use a poker or an appropriate heat resistant glove or pad when handling.
- Check local fire regulations and municipal by-laws for safe use.
- Some parts may contain sharp edges—especially as noted in the manual. Wear protective gloves if necessary.
- The metal may become very hot during and after use. Do not touch the metal or try to move the unit while hot.
- Keep children away from the unit while in use until the fire is extinguished and the metal has cooled.
- Do not use on a wooden surface, or on grass, near walls or flammable articles, or under overhead coverings.
- Keep at least 2 feet away from all other articles during use.
- Use only the fuel type(s) specified in the instructions. Using other fuel types is dangerous and could cause injury.
- Do not overload the unit with fuel.

## **PREPARATION**

---

Before beginning assembly of product, make sure all parts are present.

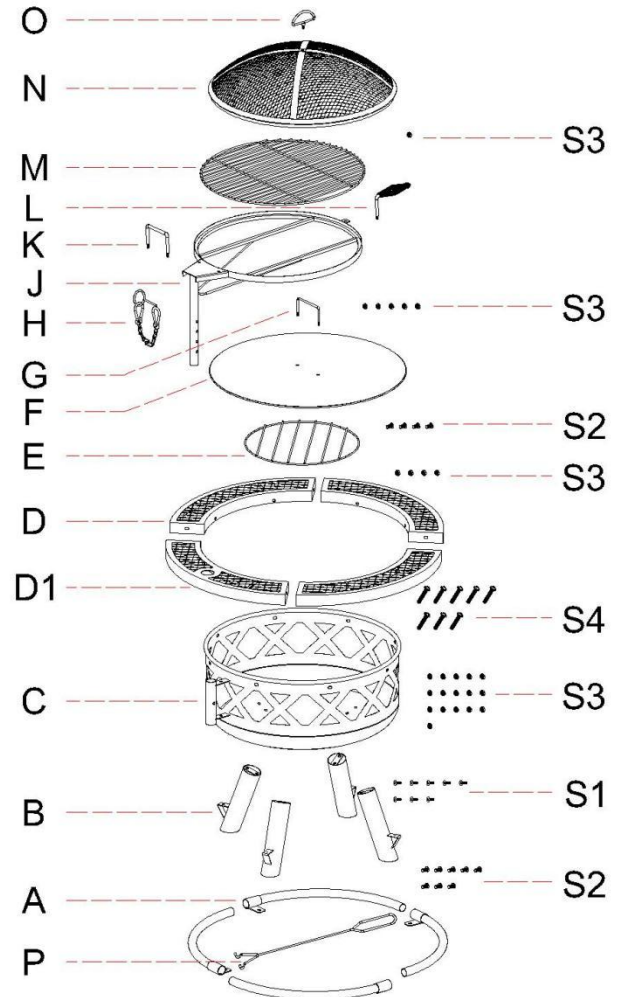
Compare parts with package contents list and hardware contents above. If any part is missing or damaged, do not attempt to assemble the product.

Contact customer service for replacement parts.

**Estimated Assembly Time: 10 minutes.**

## FIRE PIT PARTS LIST

No.	PARTS	Qty
A	Outer ring	4
B	Leg	4
C	Bowl	1
D	Table top	3
D1	Table top with round hole	1
E	Log grate	1
F	Steel cover	1
G	Steel cover handle	1
H	Latch	1
J	Grill rack	1
K	Grill rack handle	1
L	Spring handle	1
M	Cooking grill	1
N	Spark screen	1
O	Spark screen handle	1
P	Poker	1

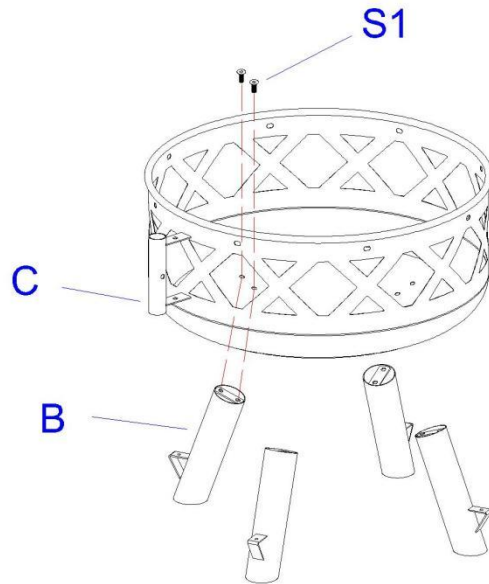


## HARDWARE LIST

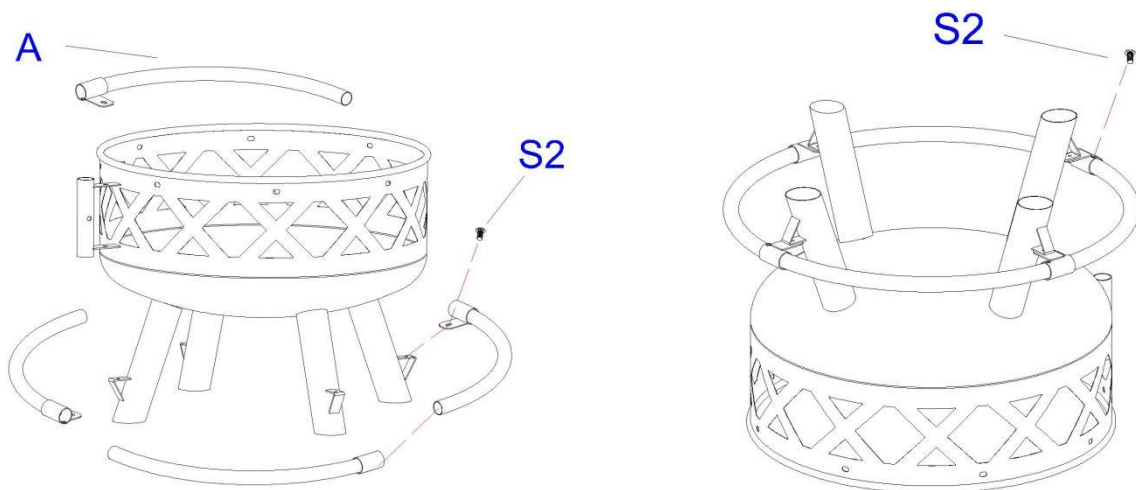
No.	Hardware	Qty	Spare
S1	M8 Bolts	8	1
S2	M6 x 12mm Bolt	12	1
S3	M6 Nut	26	2
S4	M6 x 50mm Nut	8	1

**Step By Step Assembly Instructions:**

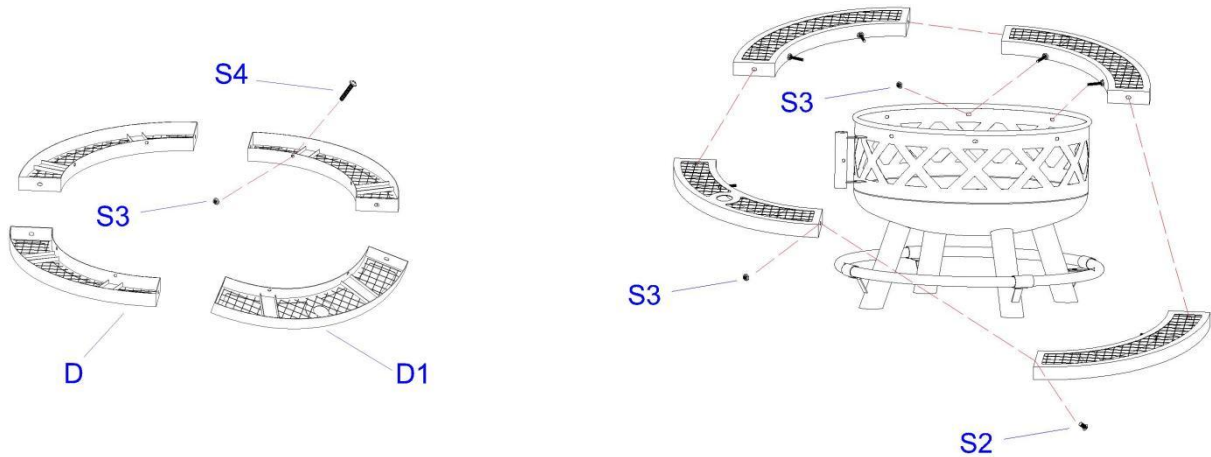
**Step1:** Attach Leg (B) to Fire bowl ( C) using 8pcs M8 Bolts (S1), then tighten all Bolts.



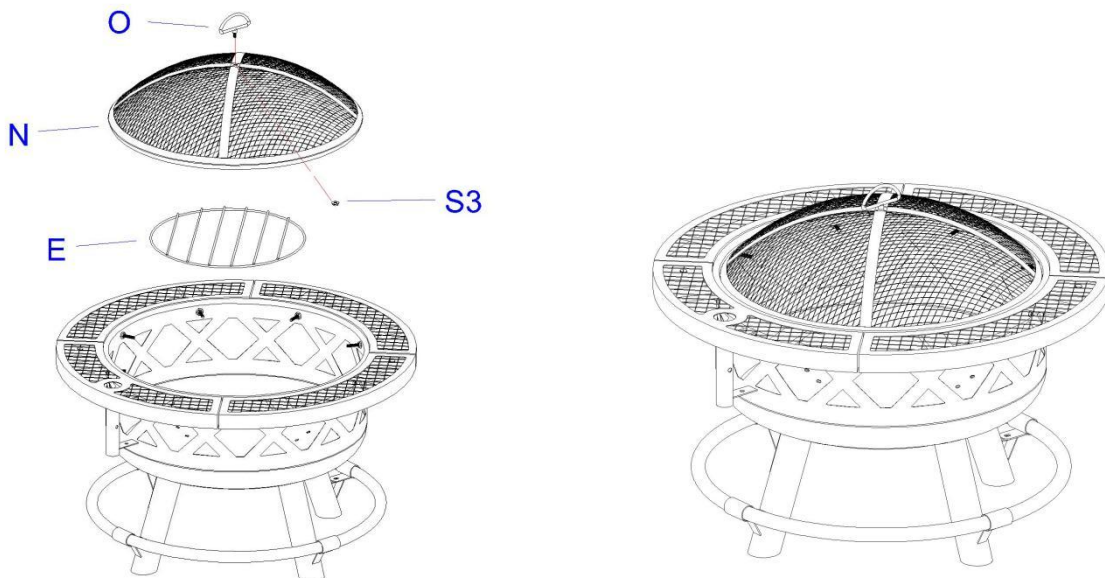
**Step2:** Attach four outer ring (A) onto the bowl legs using four M6 x 12mm Bolts (S2). Loosely tighten all bolts with Phillips Screwdriver. Lastly attach four M6 x 12mm bolts (S4) under the outer ring connector ,then tighten all bolts.



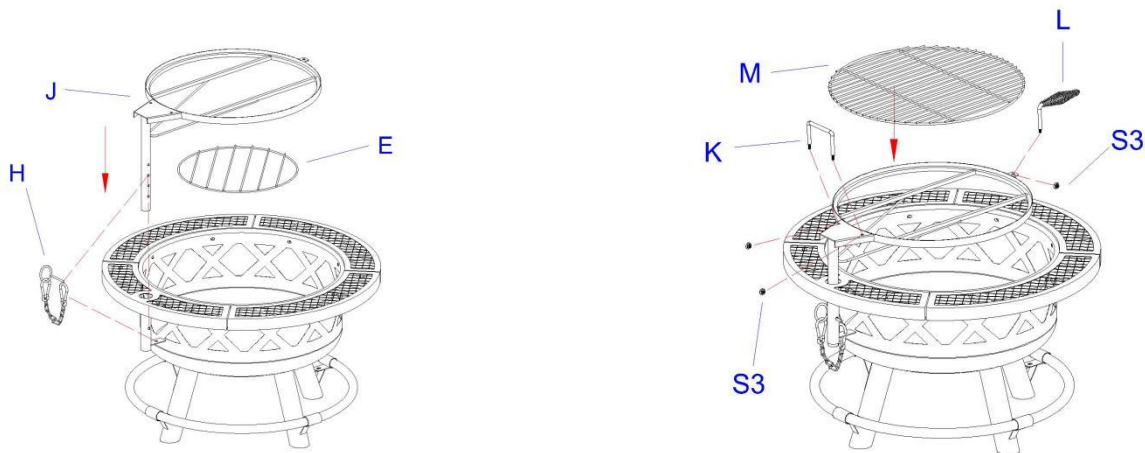
**Step 3:** Assemble the bolt M6 x 50mm (S4) into the table top (D) and (D1), using the 8pcs M6 nut(S3) tightened. Then attach the table top (D) and (D1) onto the Bowl using 8pcs M6 nus (S3) tightened. Using 4pcs M6x 12 bolts (S2) and M6 nut to tighten each table top on the side.



**Step 4:** Attached the spark screen handle (O) into the spark screen (N) using 1pc M6 nut (S3) to tighten. For fire pit use, place the log grate (E) into the bowl and place spark screen (N) on top of fire bowl assembly.



**Step 5:** Insert the grill rack extension lever (J) into the hole of bowl, using the latch (H) to fix the grill rack height, then attach the grill rack handle (K) into the grill rack using 2pc M6 nut (S3) to tighten, also attach Spring handle (L) into grill rack using 1pc M6 nut (S3) to tighten. Finally, put on a cooking grill (M) for cooking use at any time, and put a log grate in the bowl for wood burning.



**Step 5:** Attached the steel cover handle (G) into the steel cover hole,using 2pc M6 nut (S3) to tighten,place the top of bowl for table using. Place Poker (P) beside fire pit for use as needed.

