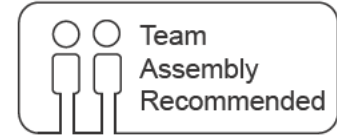
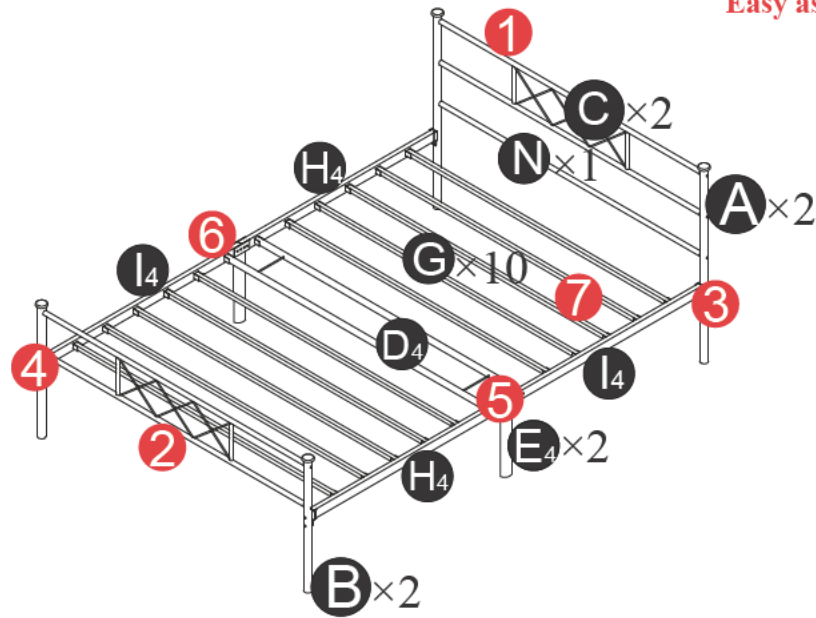
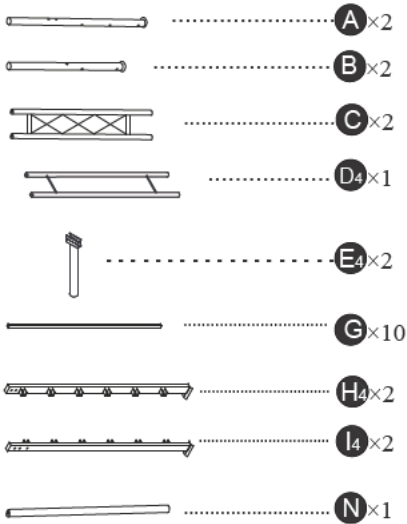


Bed Frame Installation Manual

#Number System
Easy assembly by following 1,2,3...



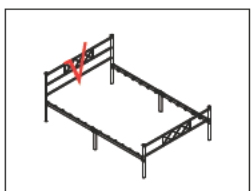
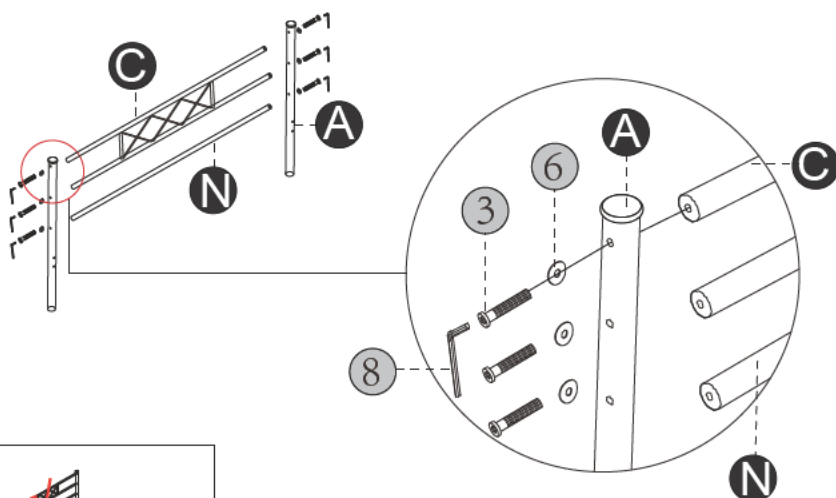
Componets



Screws & Tools

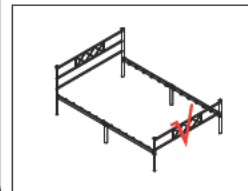
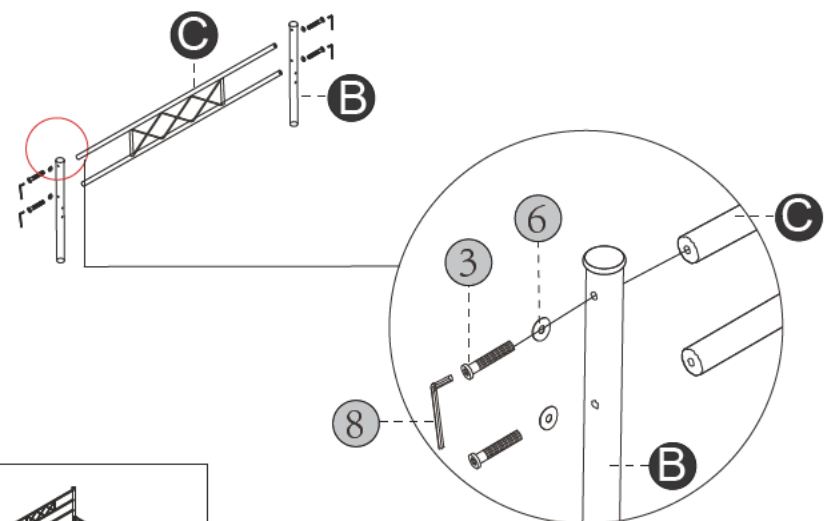
①	M8x45mm	x8
②	M8x35mm	x8
③	M6x60mm	x10
④	M6x40mm	x4
⑤	M6x15mm	x4
⑥	Ø	x18
⑦	M8	x12
⑧	M5	x1
⑨	M13/M10	x1

1 Headboard assembly



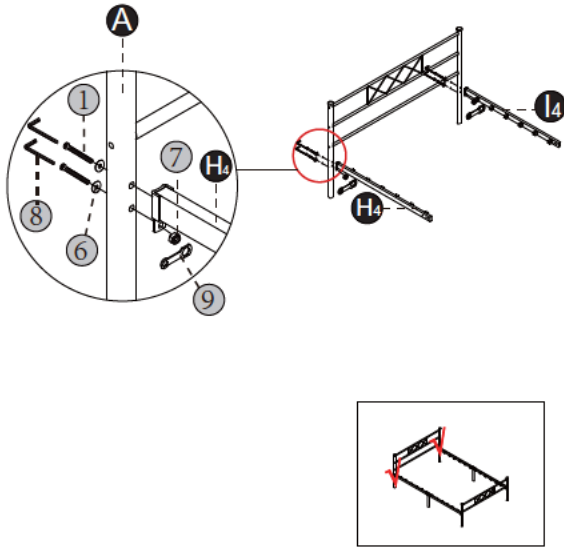
Note:
In this step, do not tighten screw ③

2 Footboard assembly

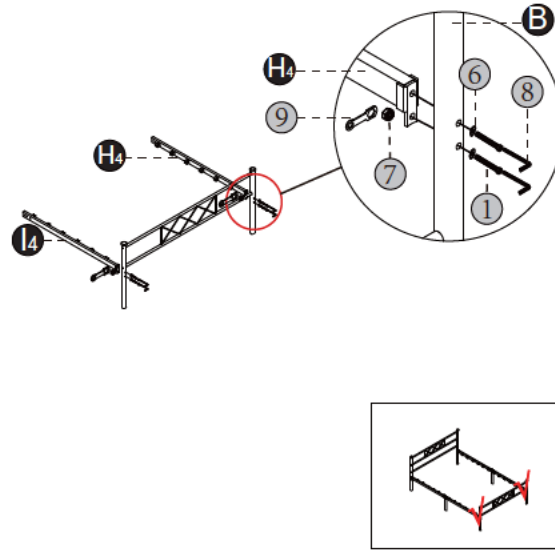


Note:
In this step, do not tighten screw ③

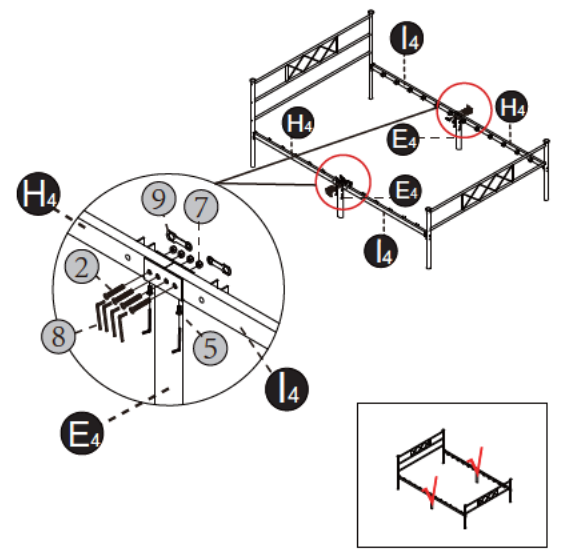
3 Connect **H₄** & **L₄** to headboard



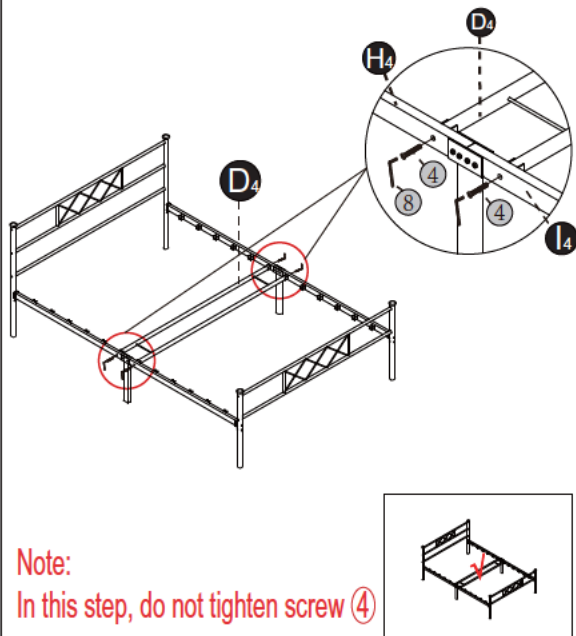
4 Connect **H₄** & **L₄** to footboard



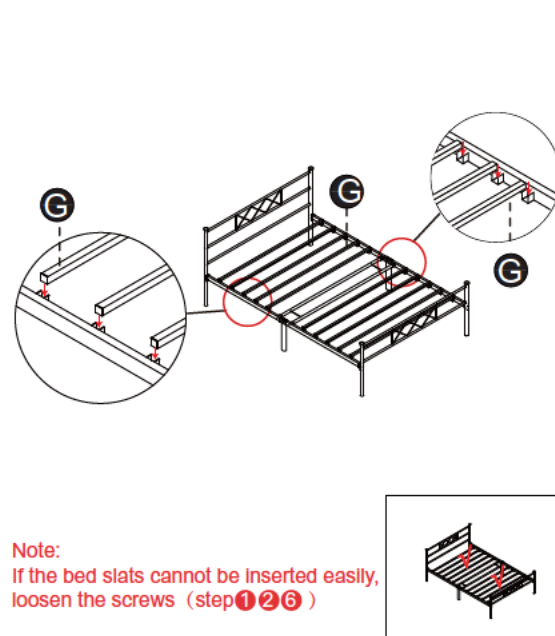
5 Connect **E₄** to **H₄** & **L₄**



6 Connect **D₄** to **H₄** & **L₄**



7 Assemble bed slats



8 Check and tighten all screws

