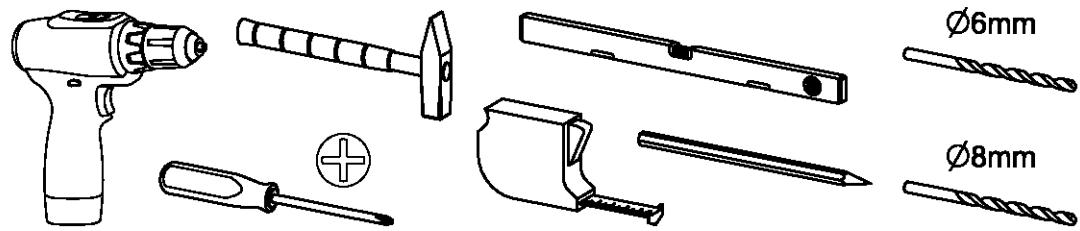
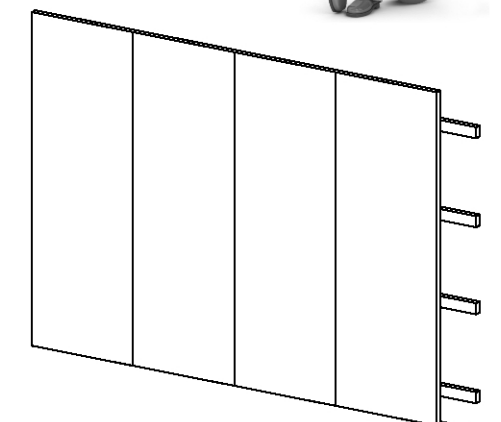
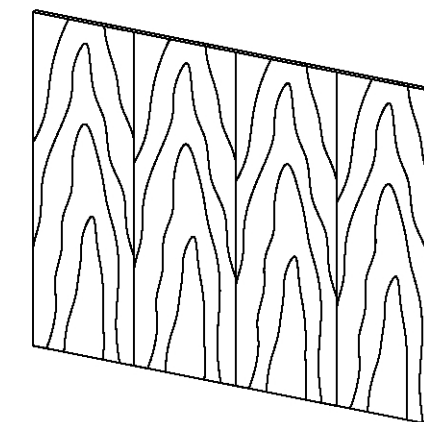
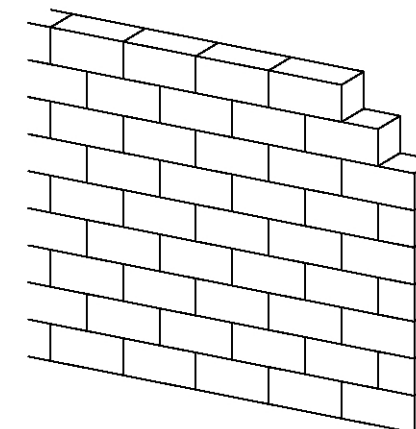
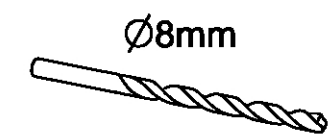
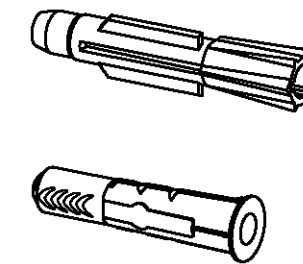
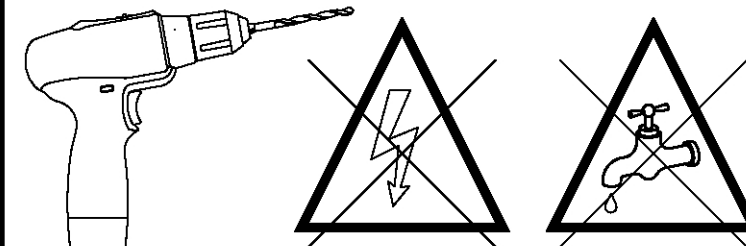
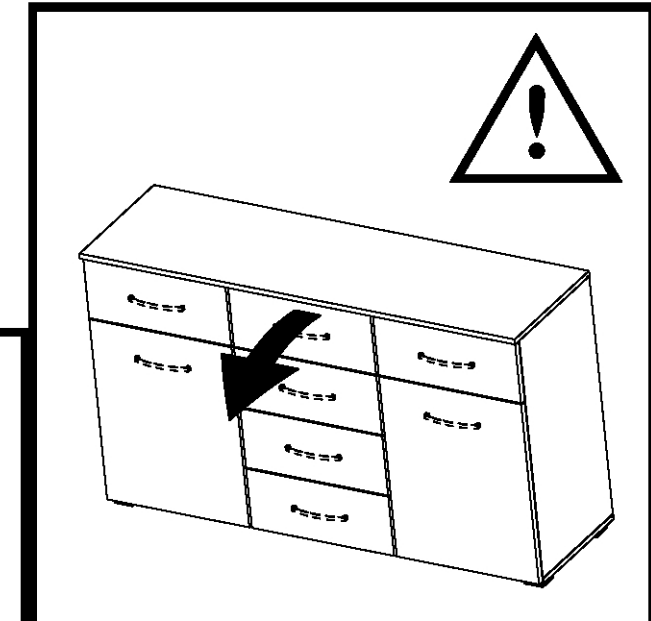
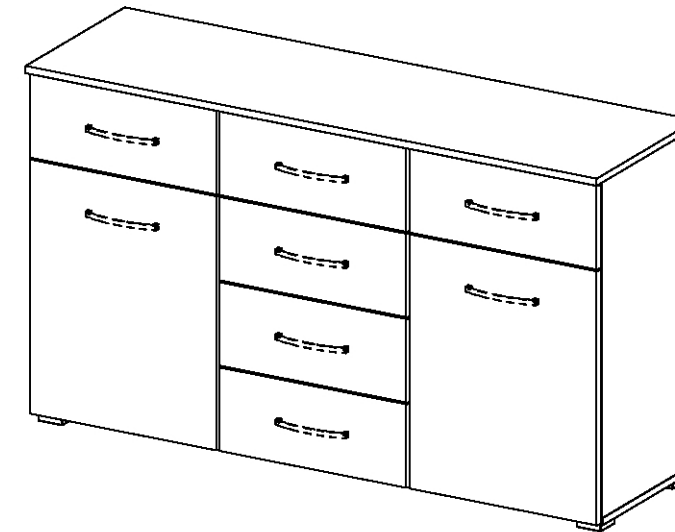
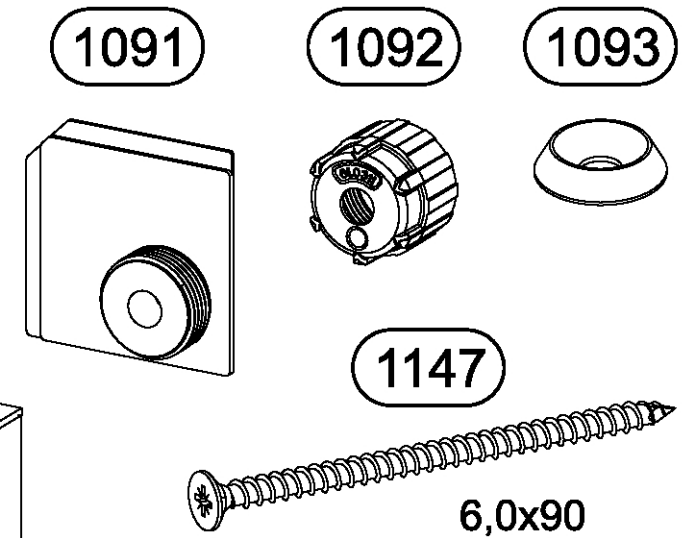
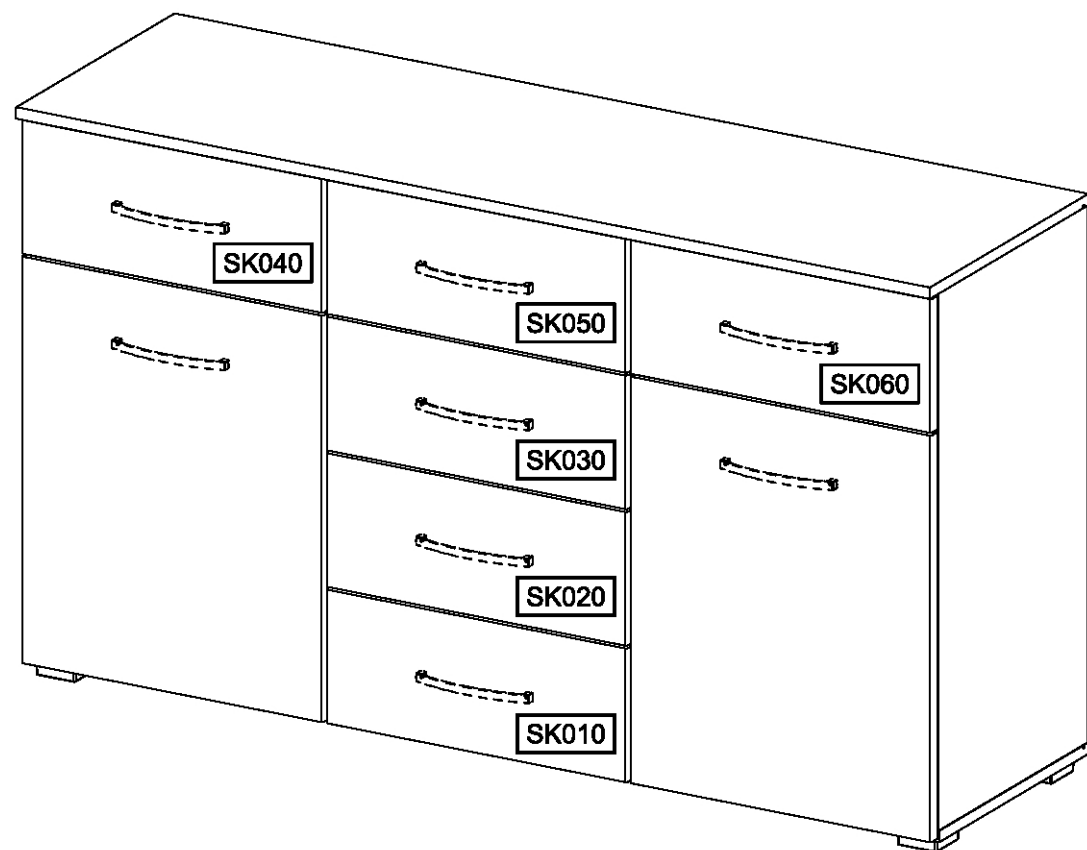
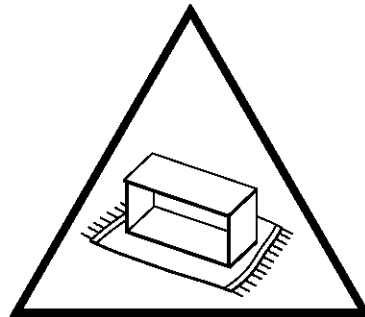


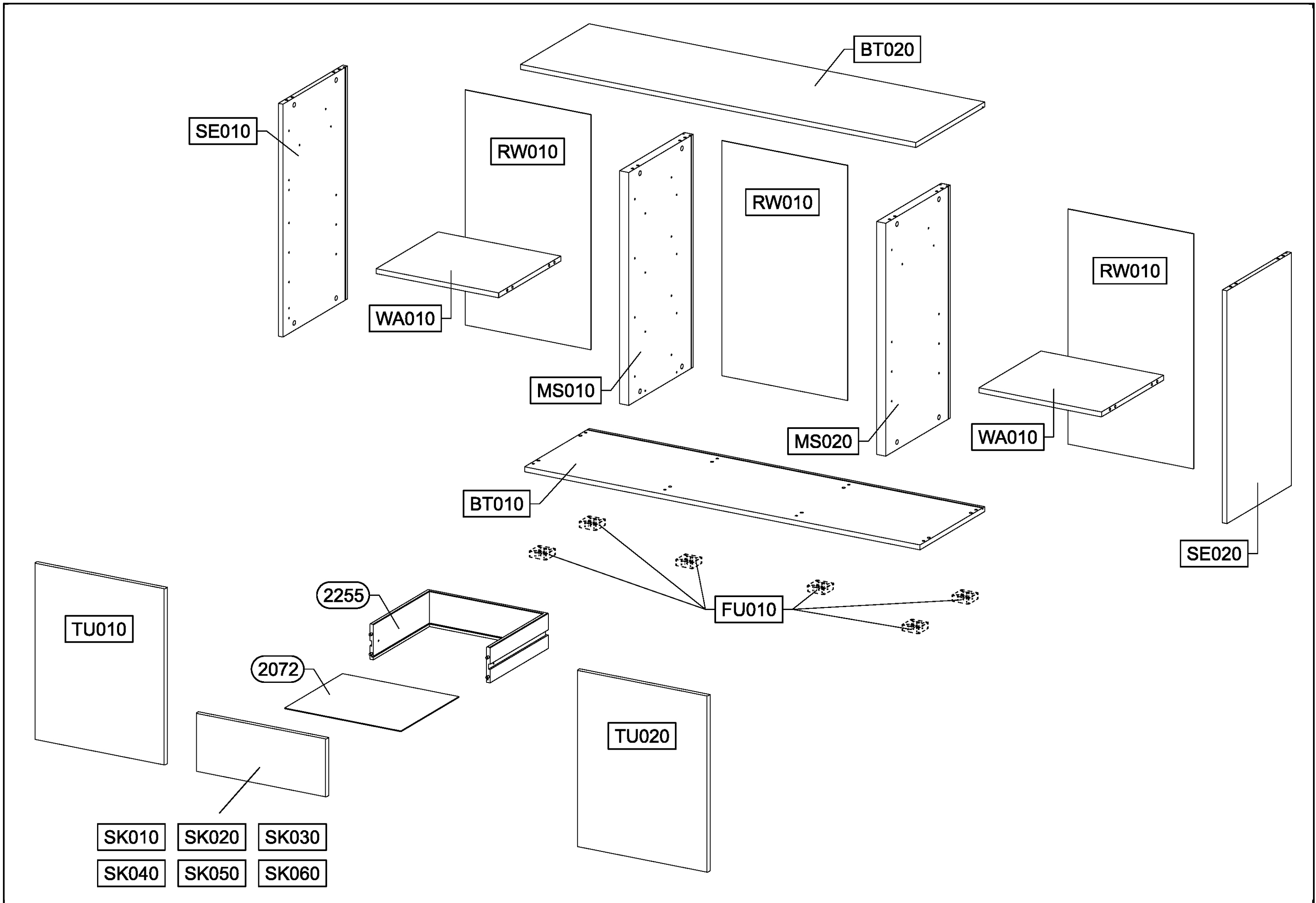
M2614_01

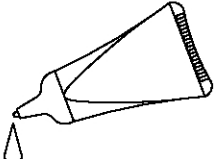

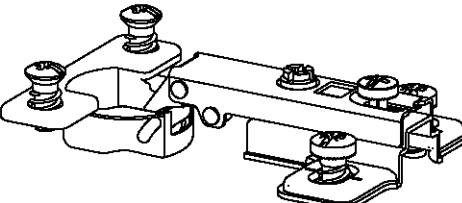

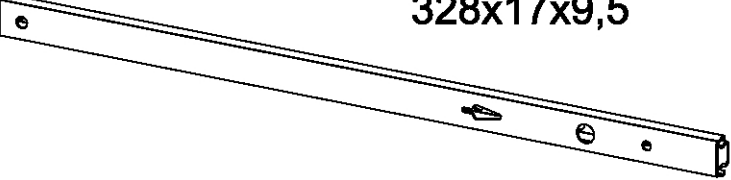

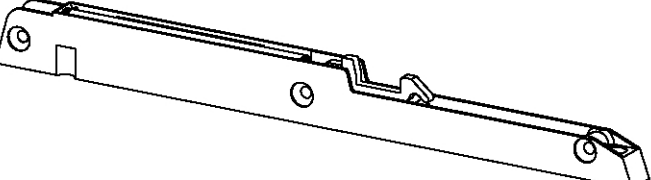


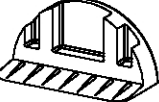

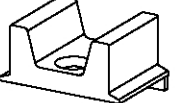
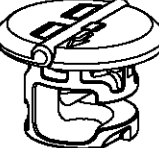

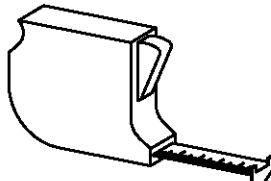
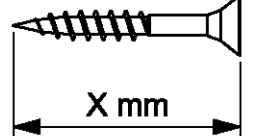
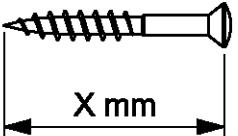
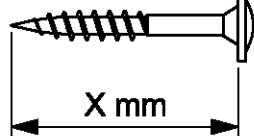
rauch

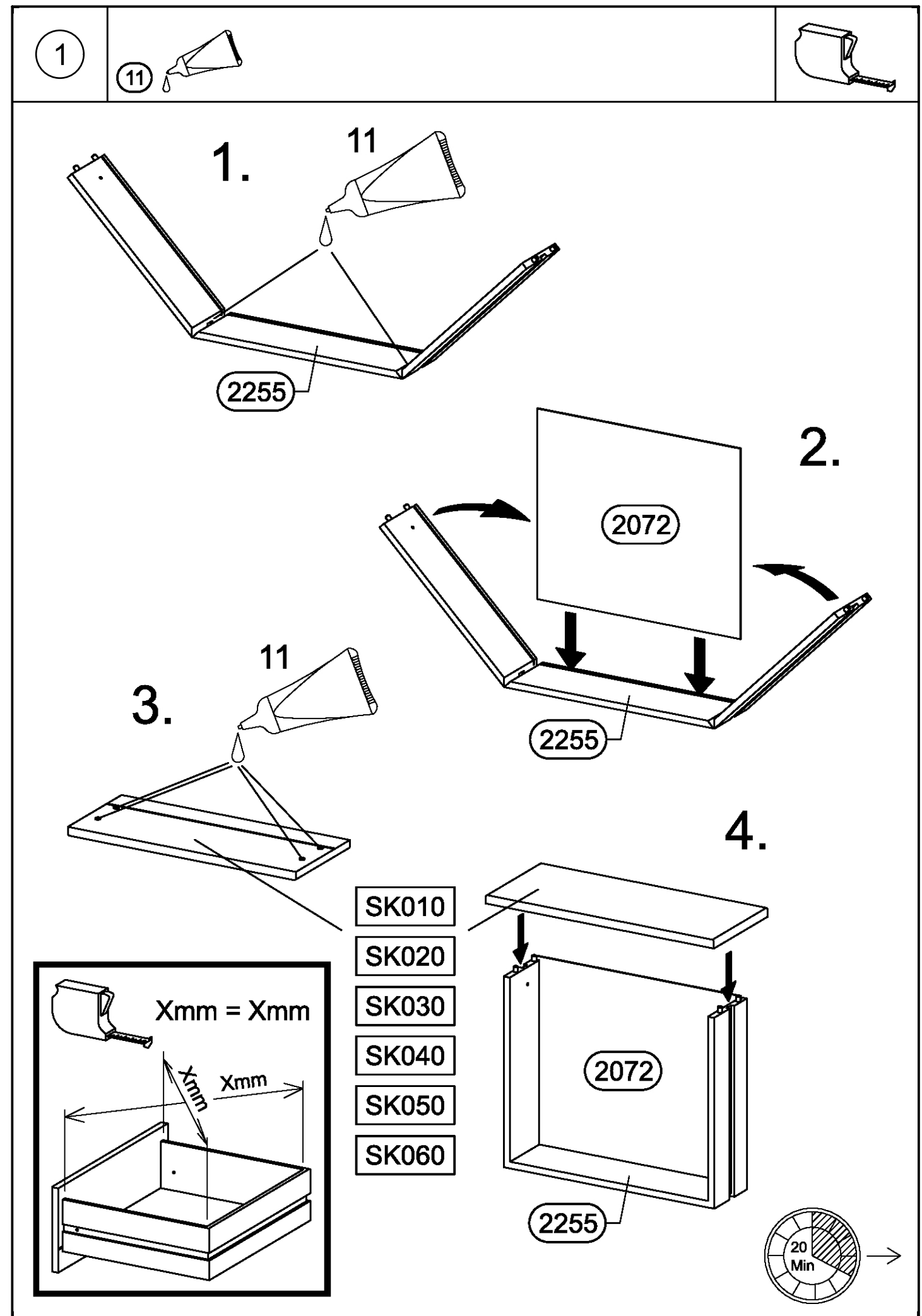


2,5-3h

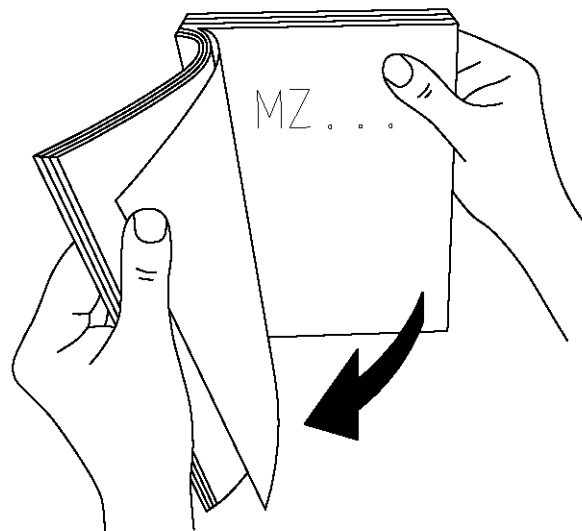
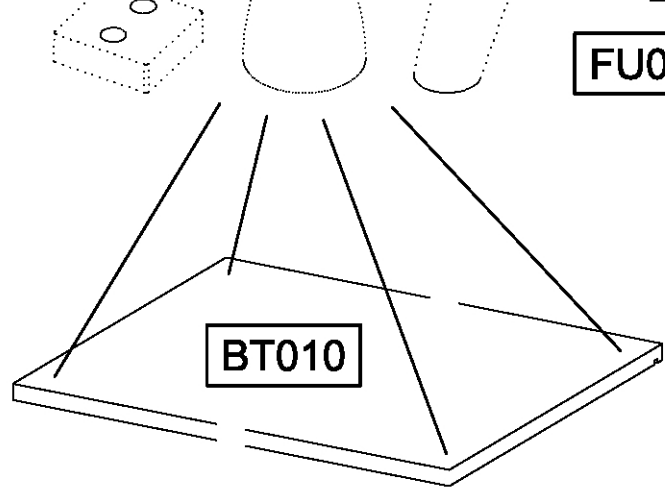
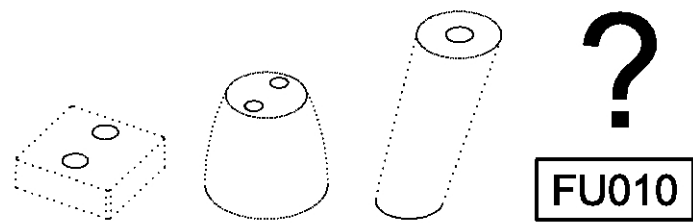
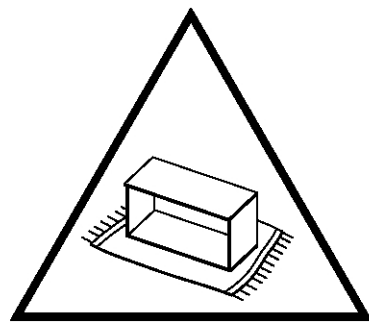
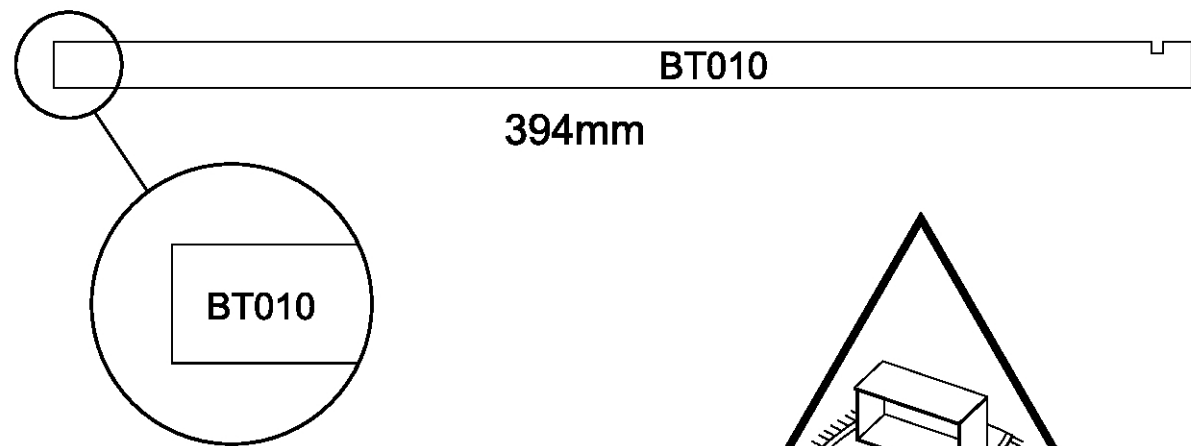
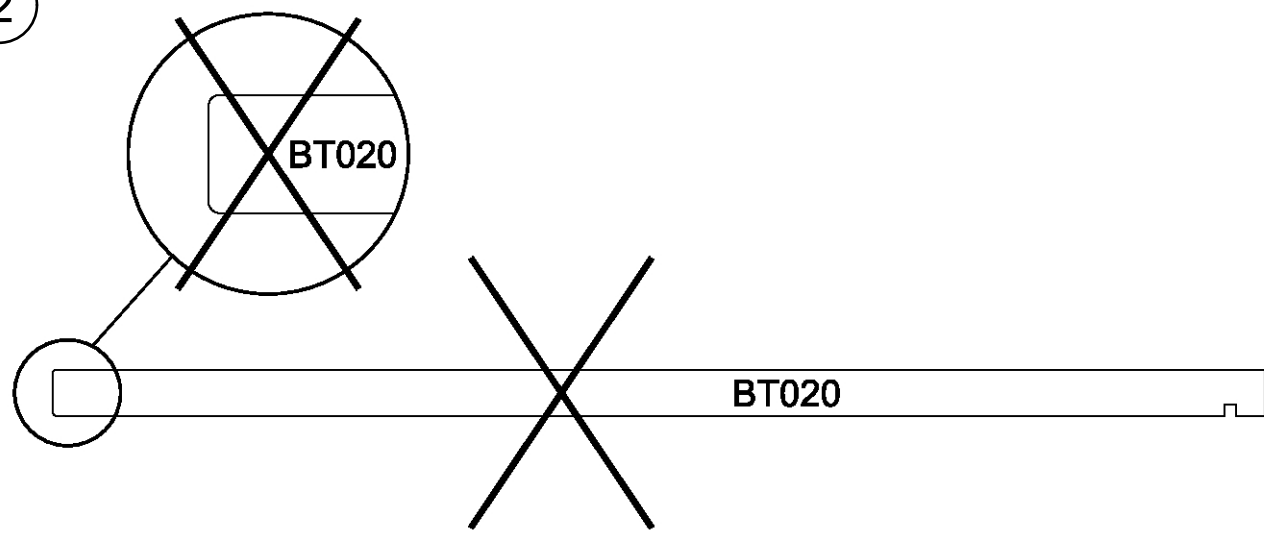




<p>11 </p>	<p>16x 8x30 18 </p>	<p>4x 130 </p>
<p>24x 6x10,5 227 </p>	<p>12x 328x17x9,5 251 </p>	
<p>12x M4x9 568 </p>	<p>12x 1000 </p>	
<p>48x 3,5x20 1002 </p>	<p>24x 6x12 1003 </p>	<p>12x 1090 </p>
<p>8x 1105 </p>	<p>12x 1187 </p>	<p>16x 1188 </p>
<p>16x 1189 </p>		
		
 X mm	 X mm	 X mm

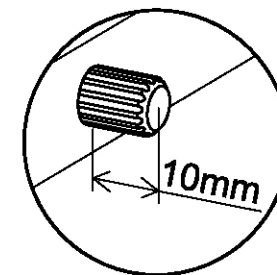
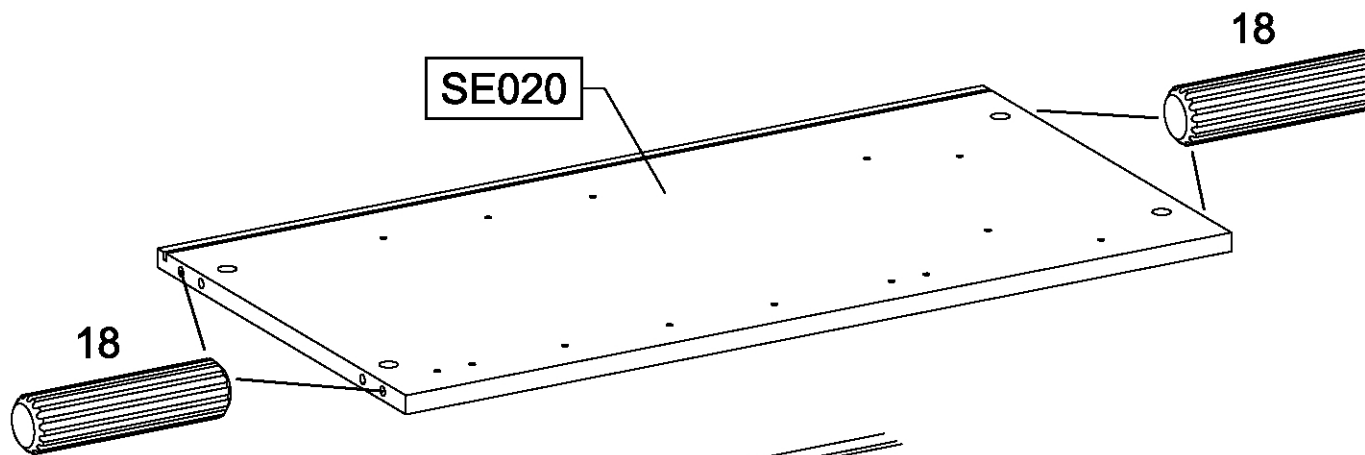
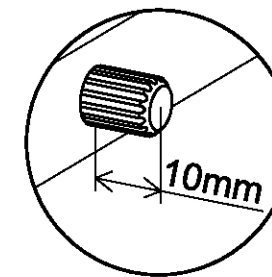
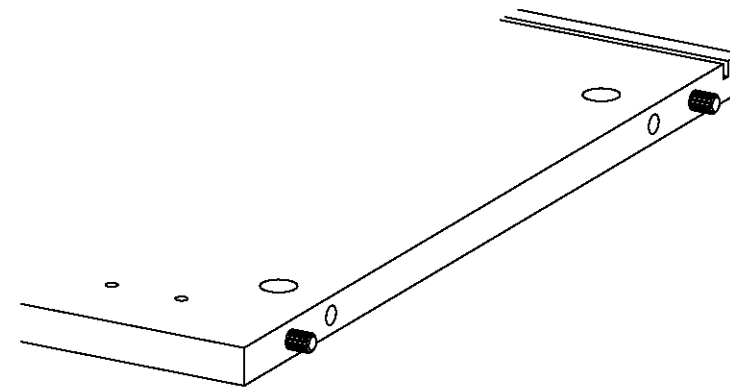
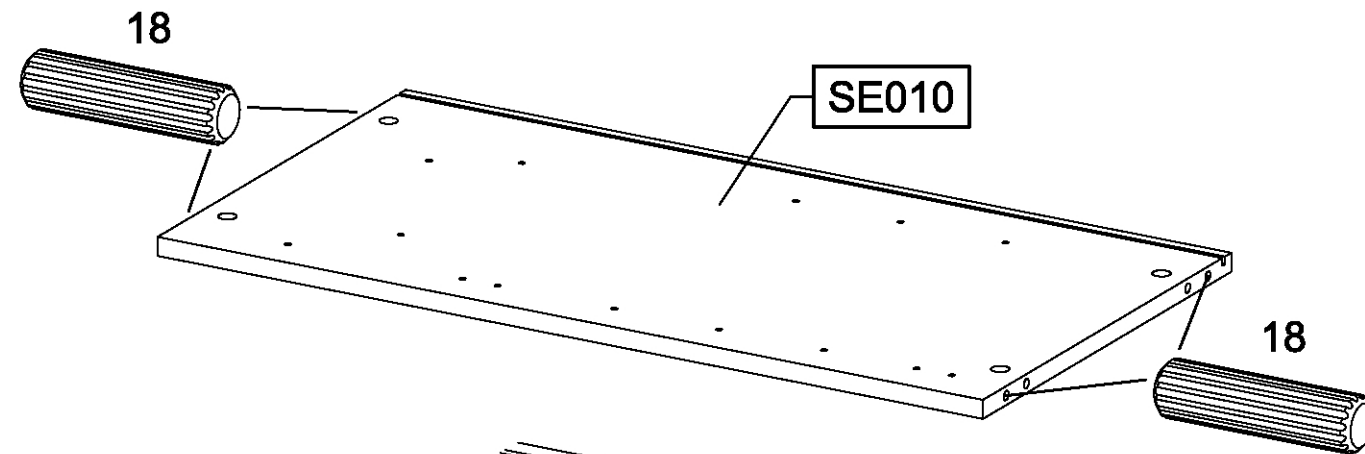
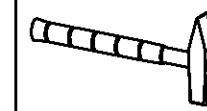


2



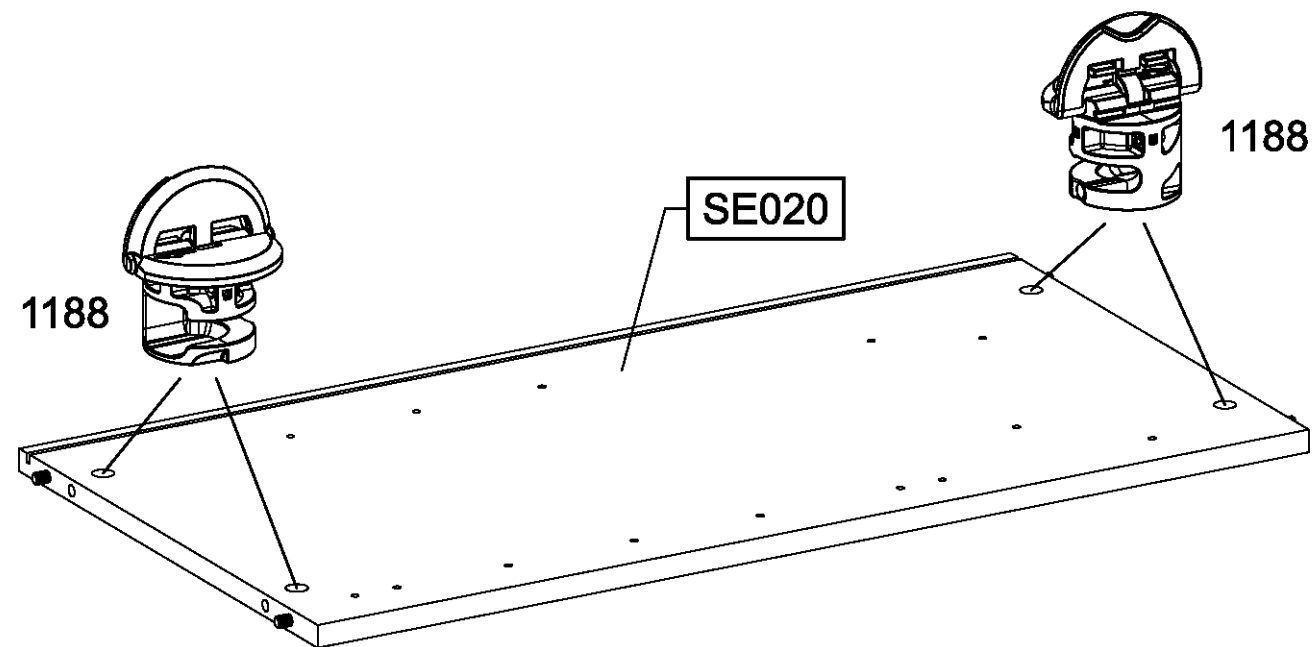
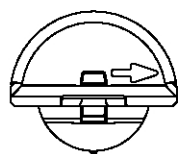
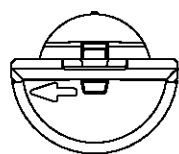
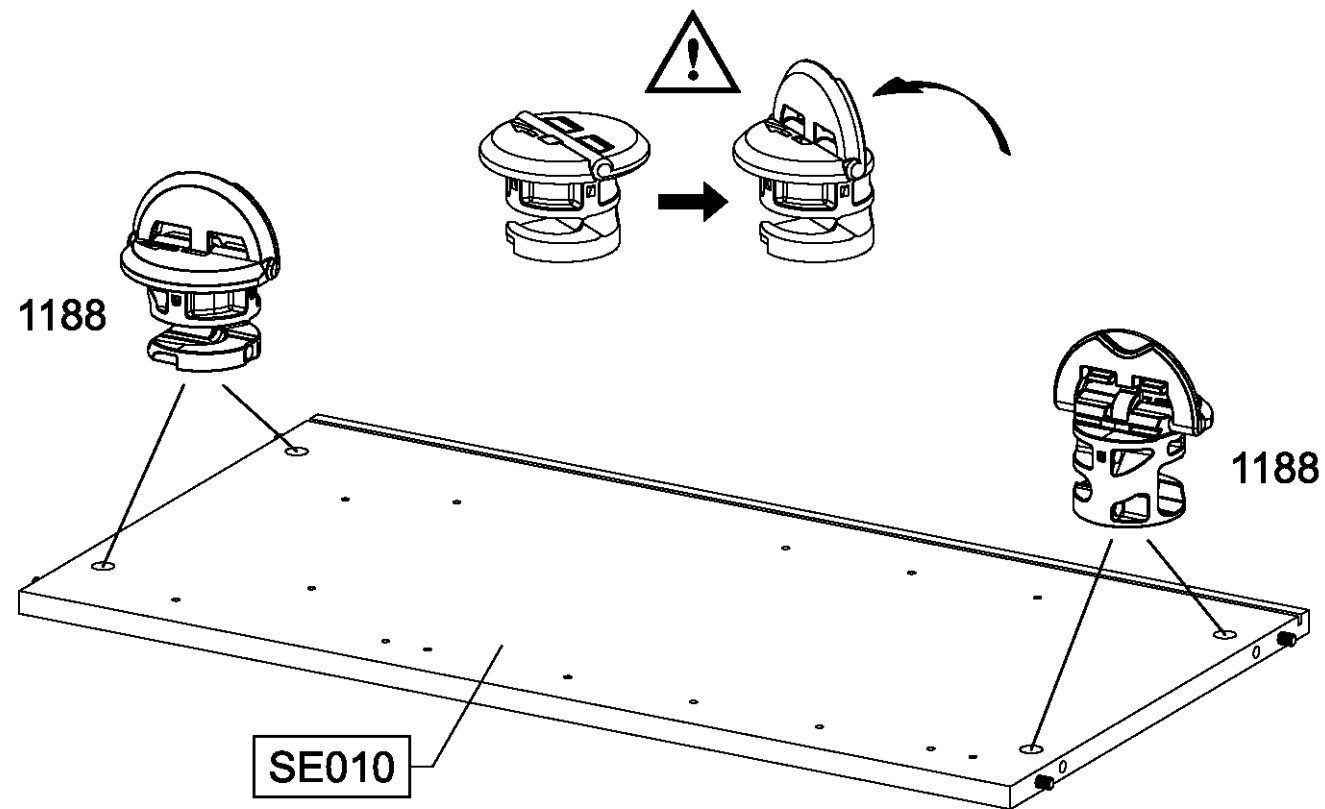
3

8x 18 8x30



4

8x 1188



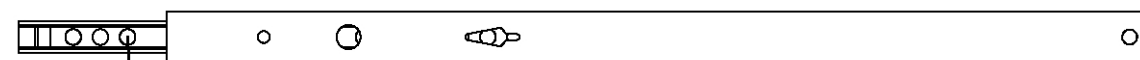
5

2x 227 6x10,5

1x 251

328x17x9,5

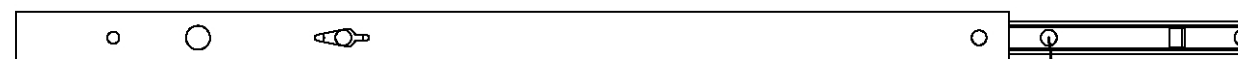
251



1. 227



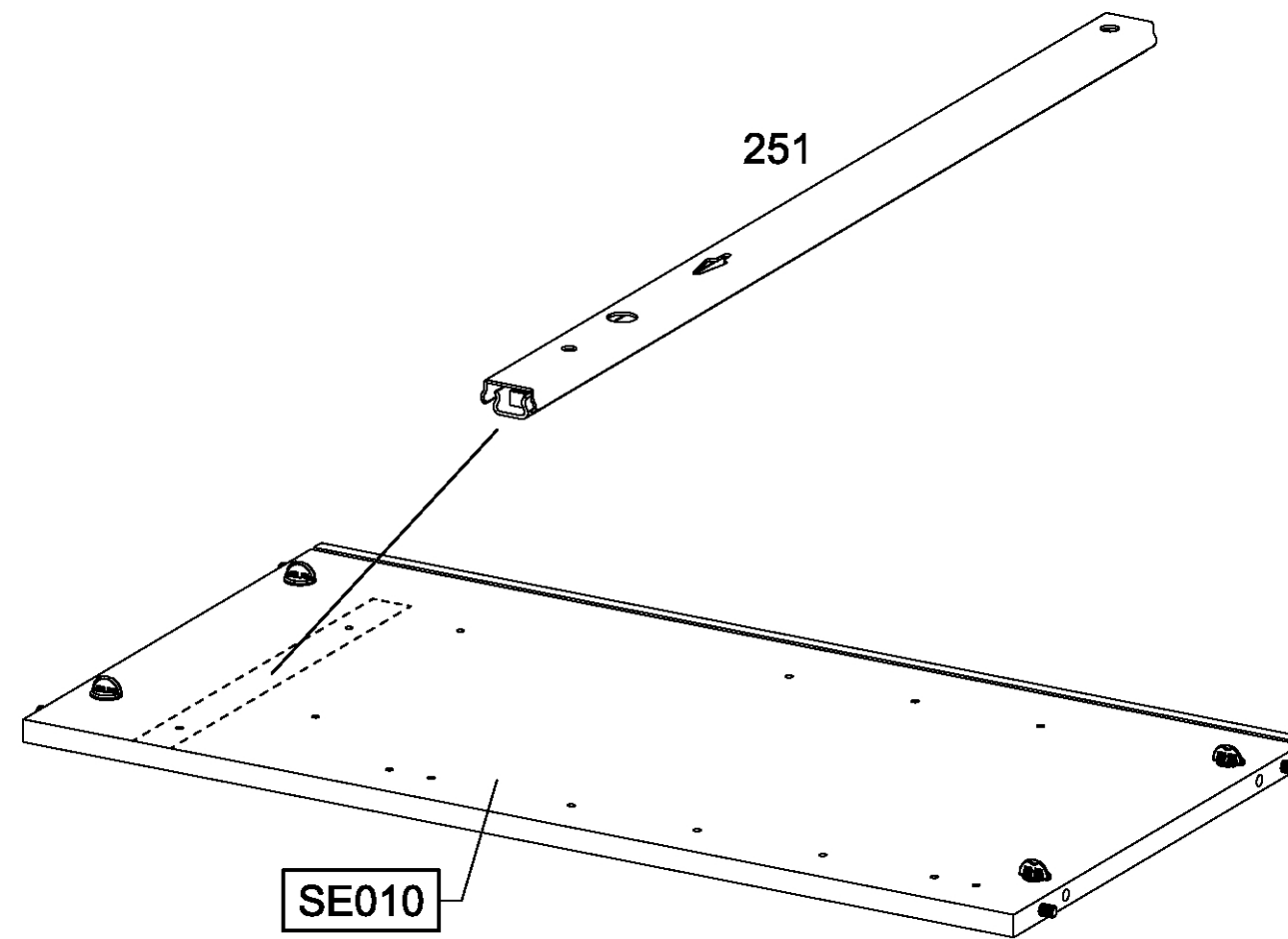
251



2. 227

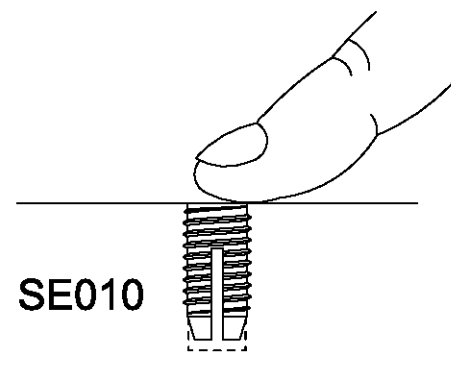
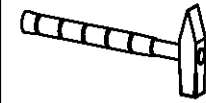


251

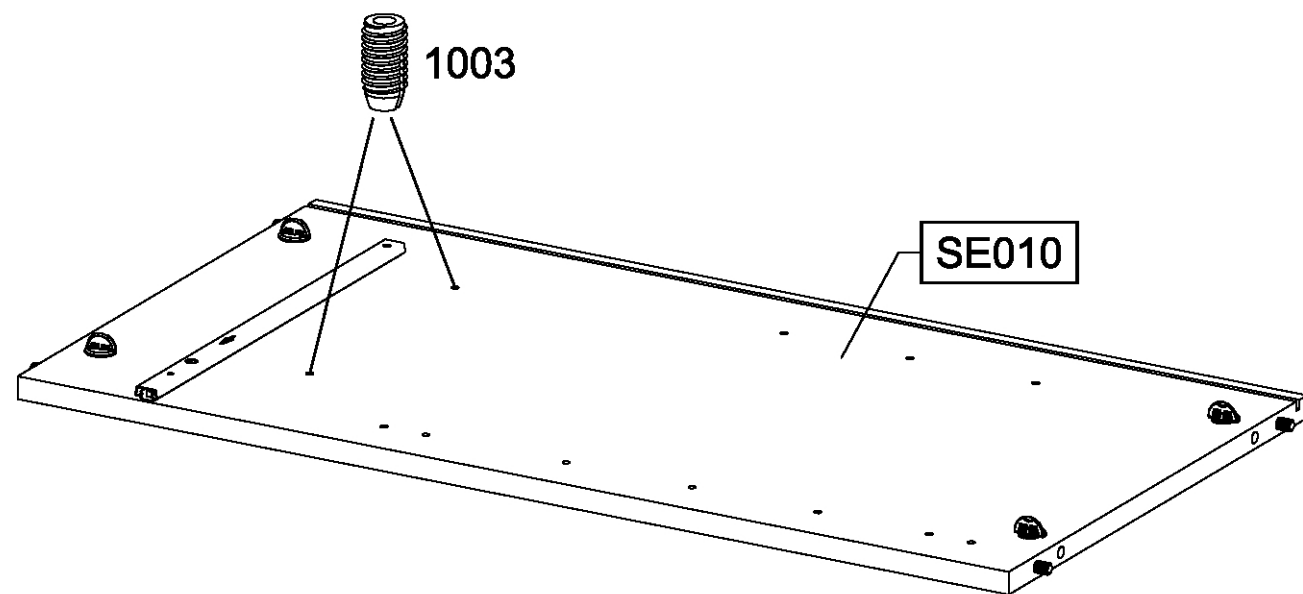


6

2x 1003 6x12



SE010

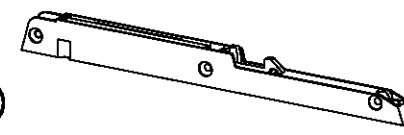


1003

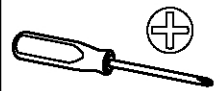
SE010

7

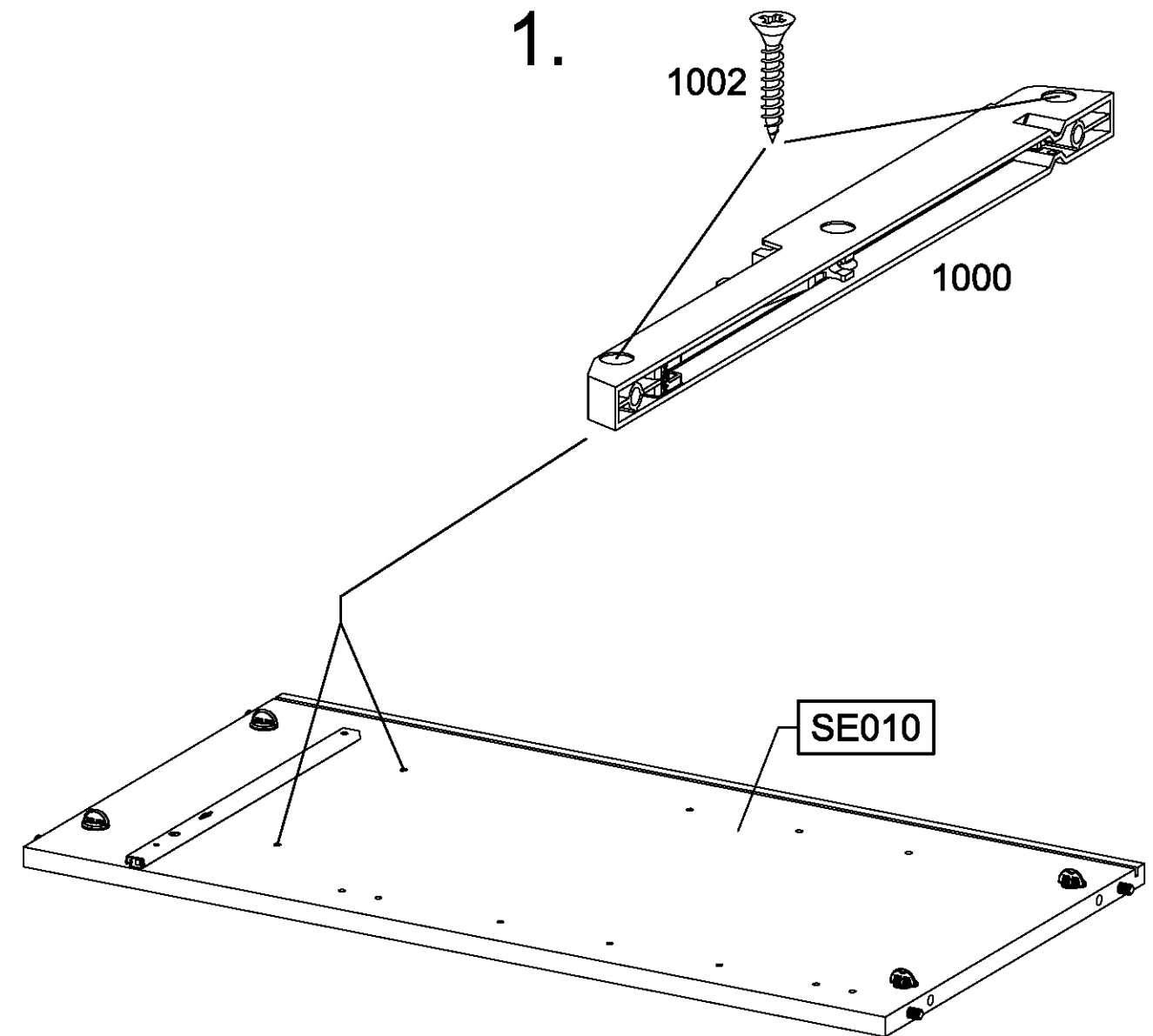
1x 1000



3x 1002 3,5x20



1.

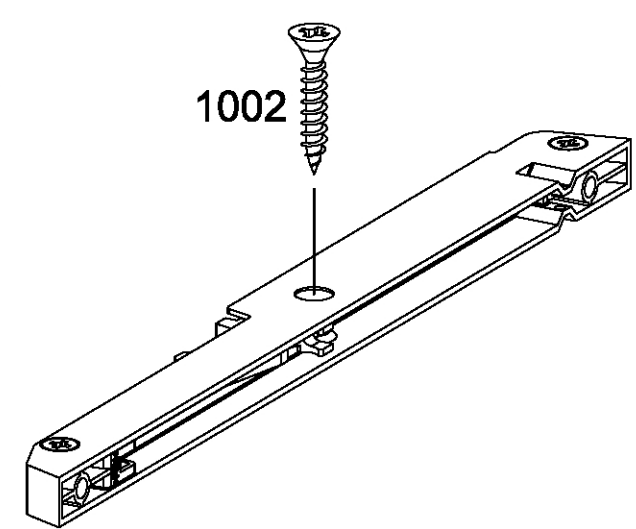


1002

1000

SE010

2.



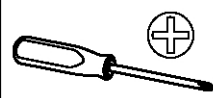
1002

328x17x9,5

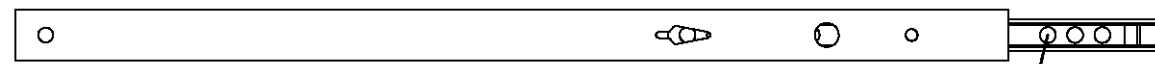
8

2x 227 6x10,5

1x 251

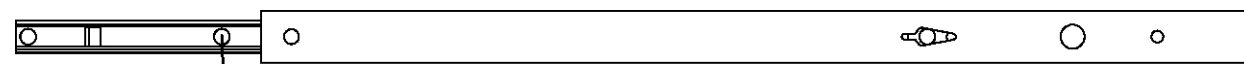


251



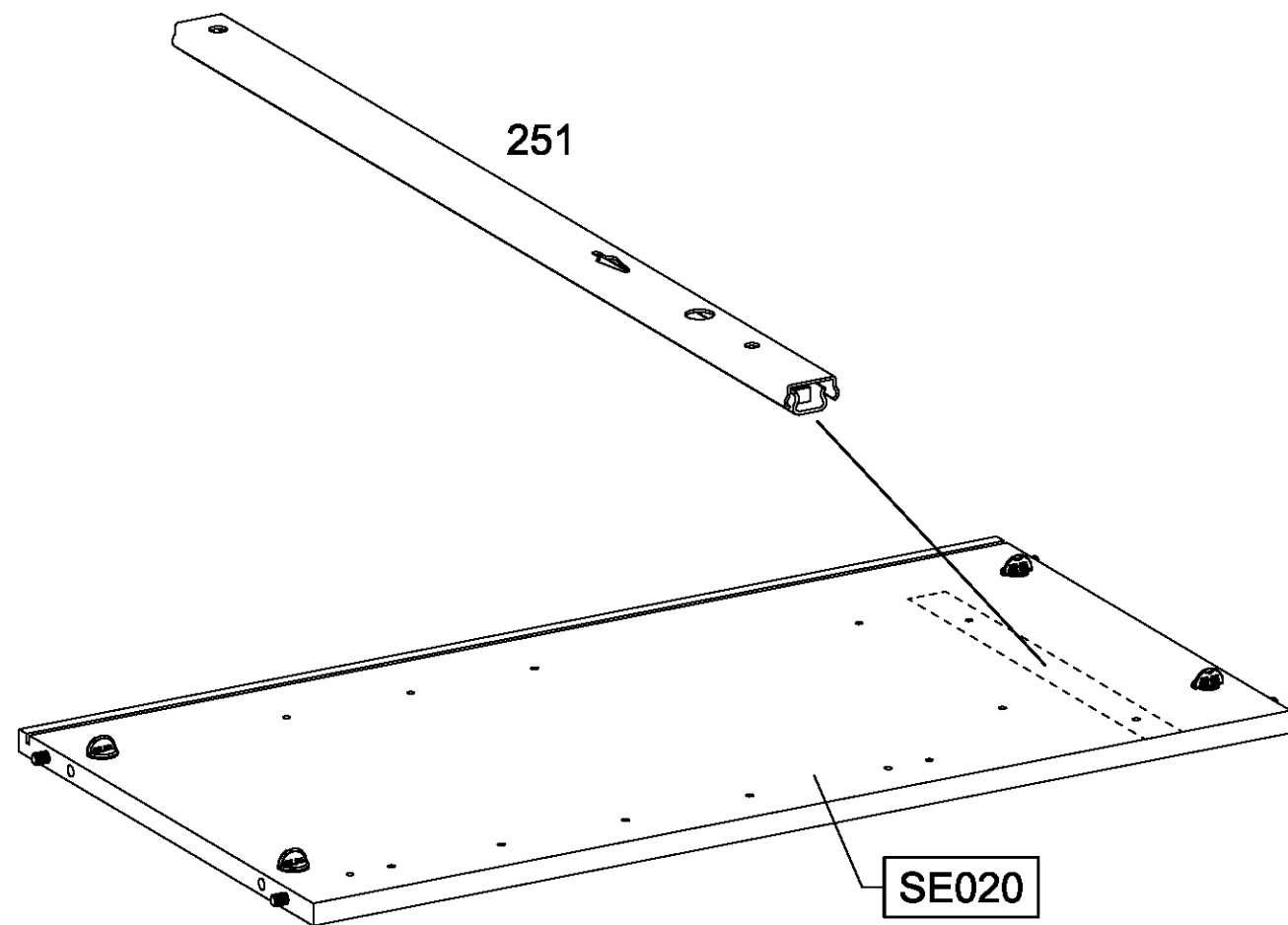
227 1.

251



227 2.

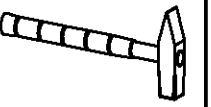
251



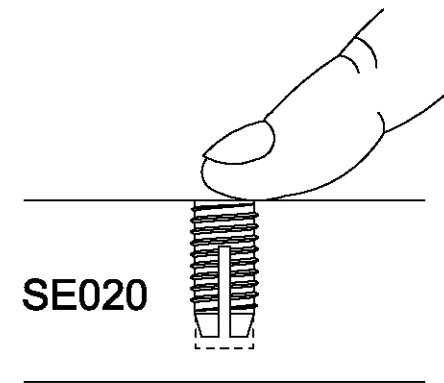
SE020

9

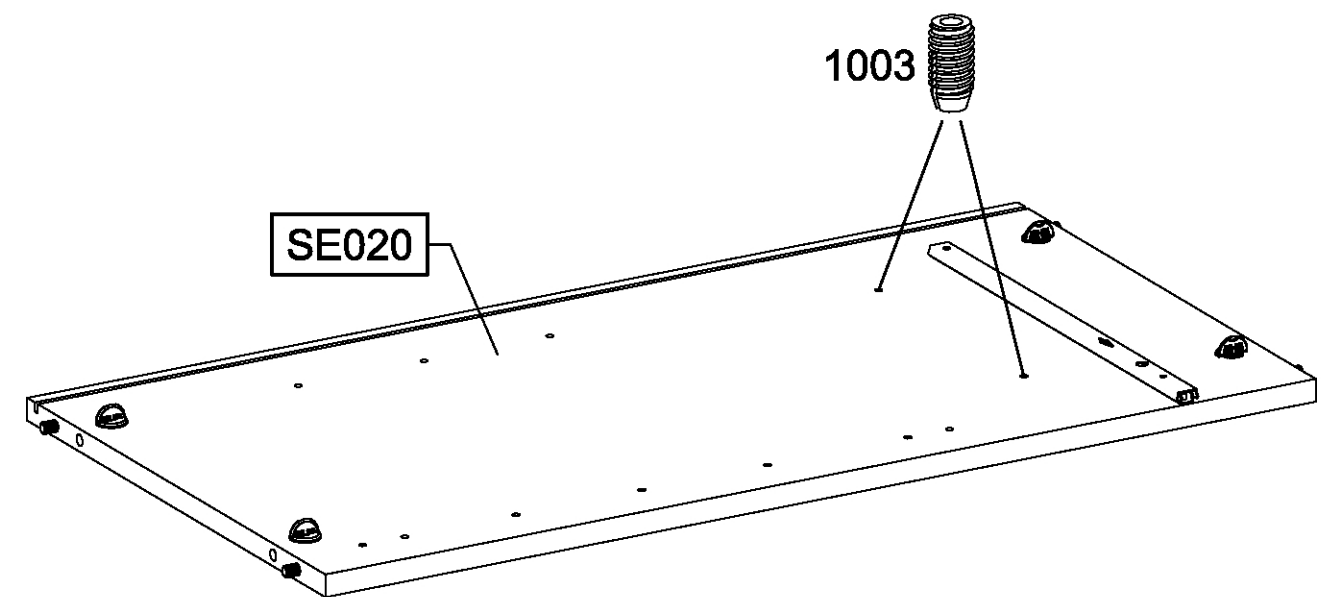
2x 1003 6x12



SE020



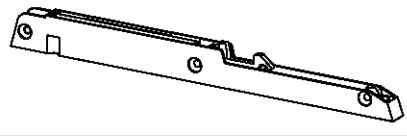
1003



SE020

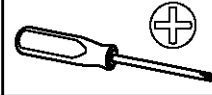
10

1x 1000

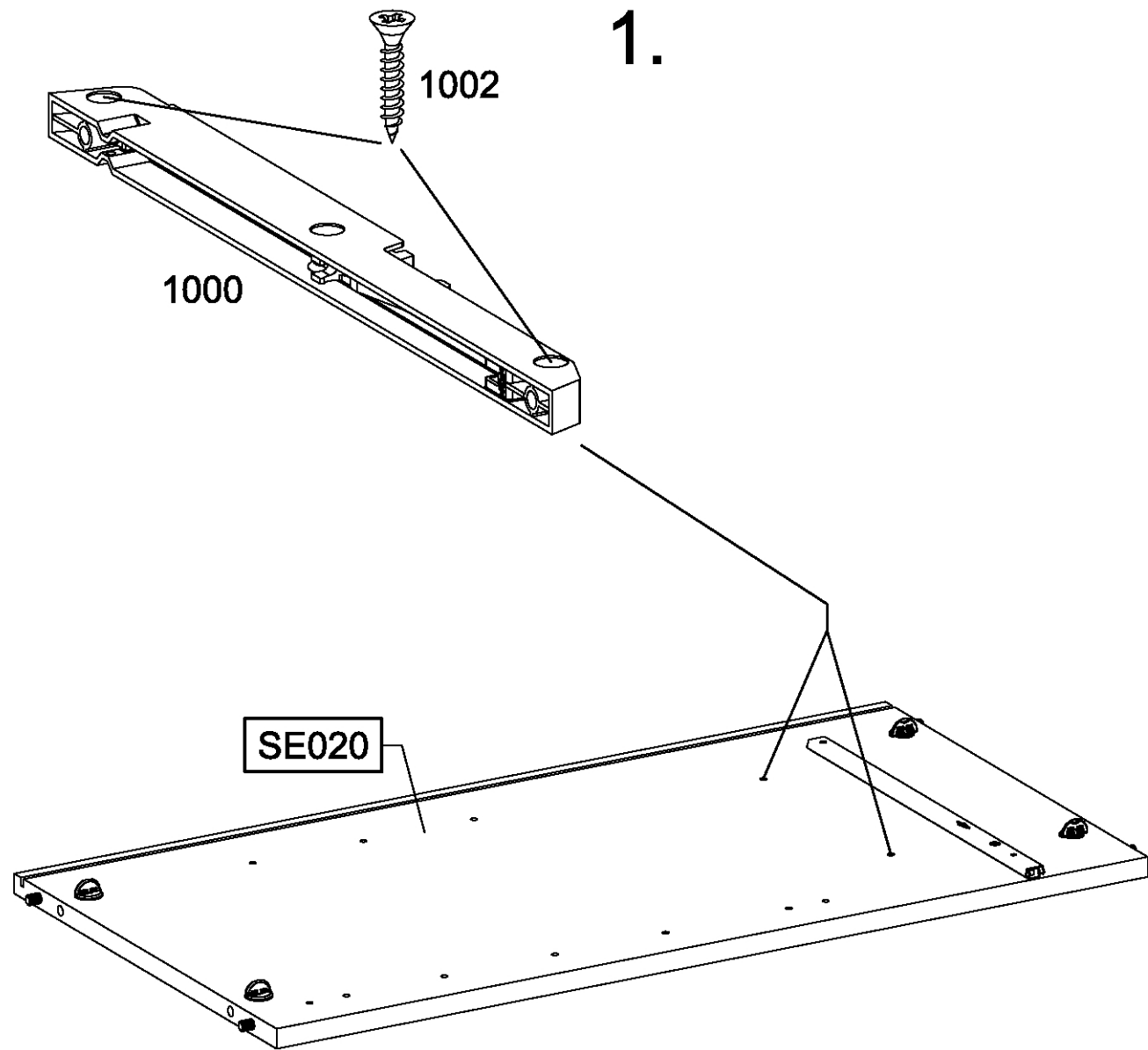


3x 1002

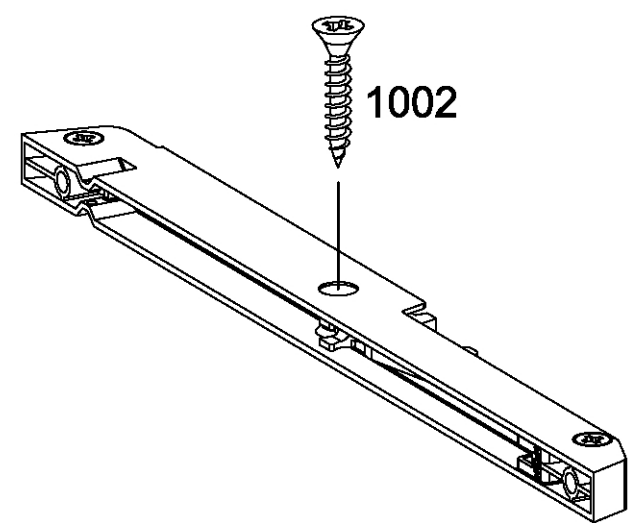
3,5x20



1.



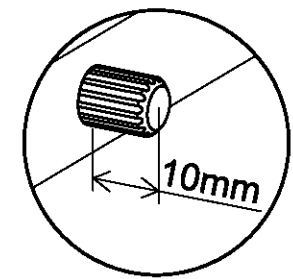
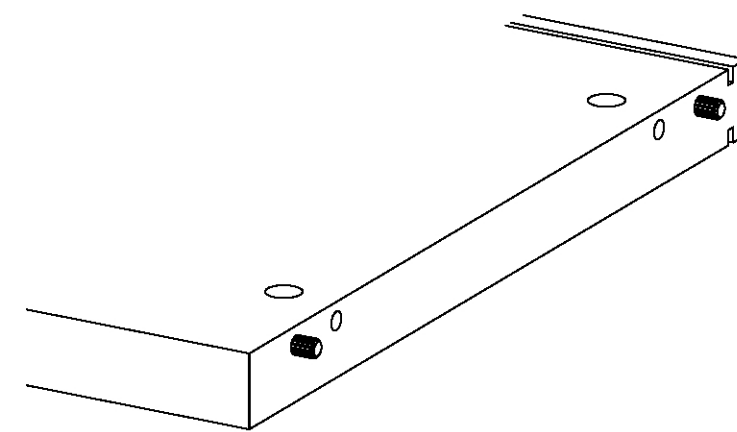
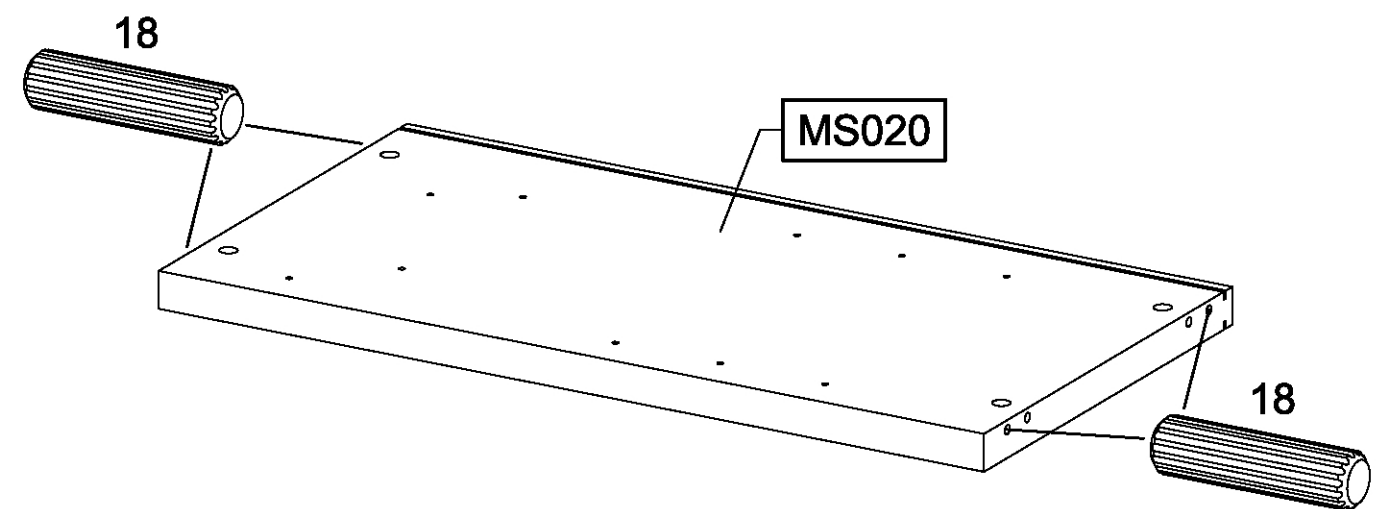
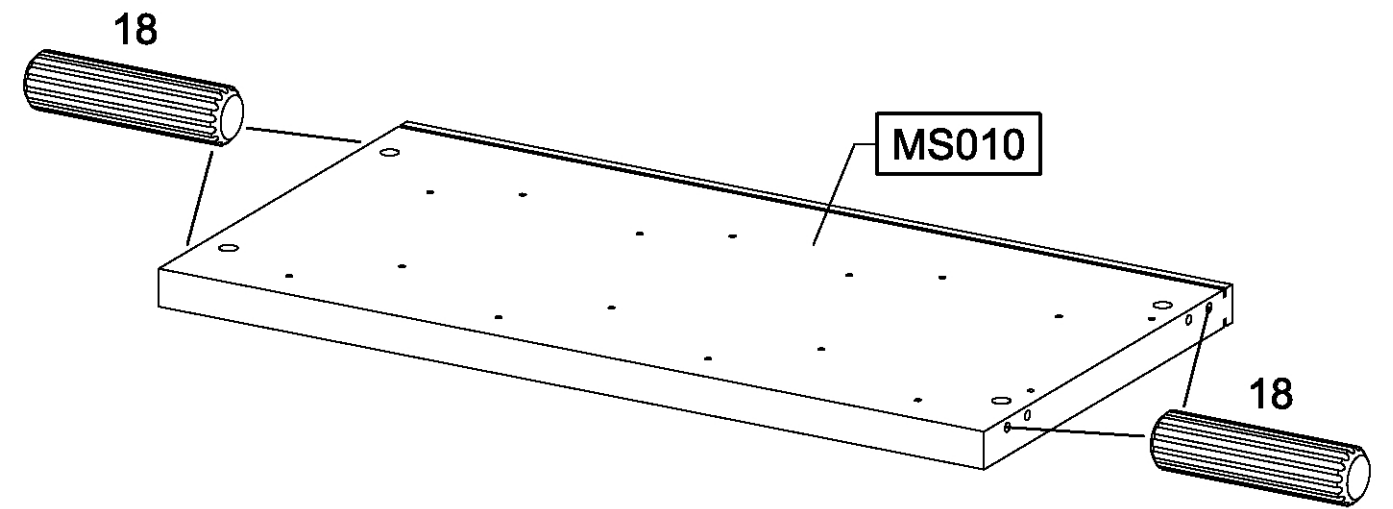
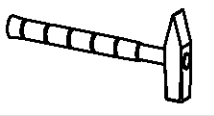
2.

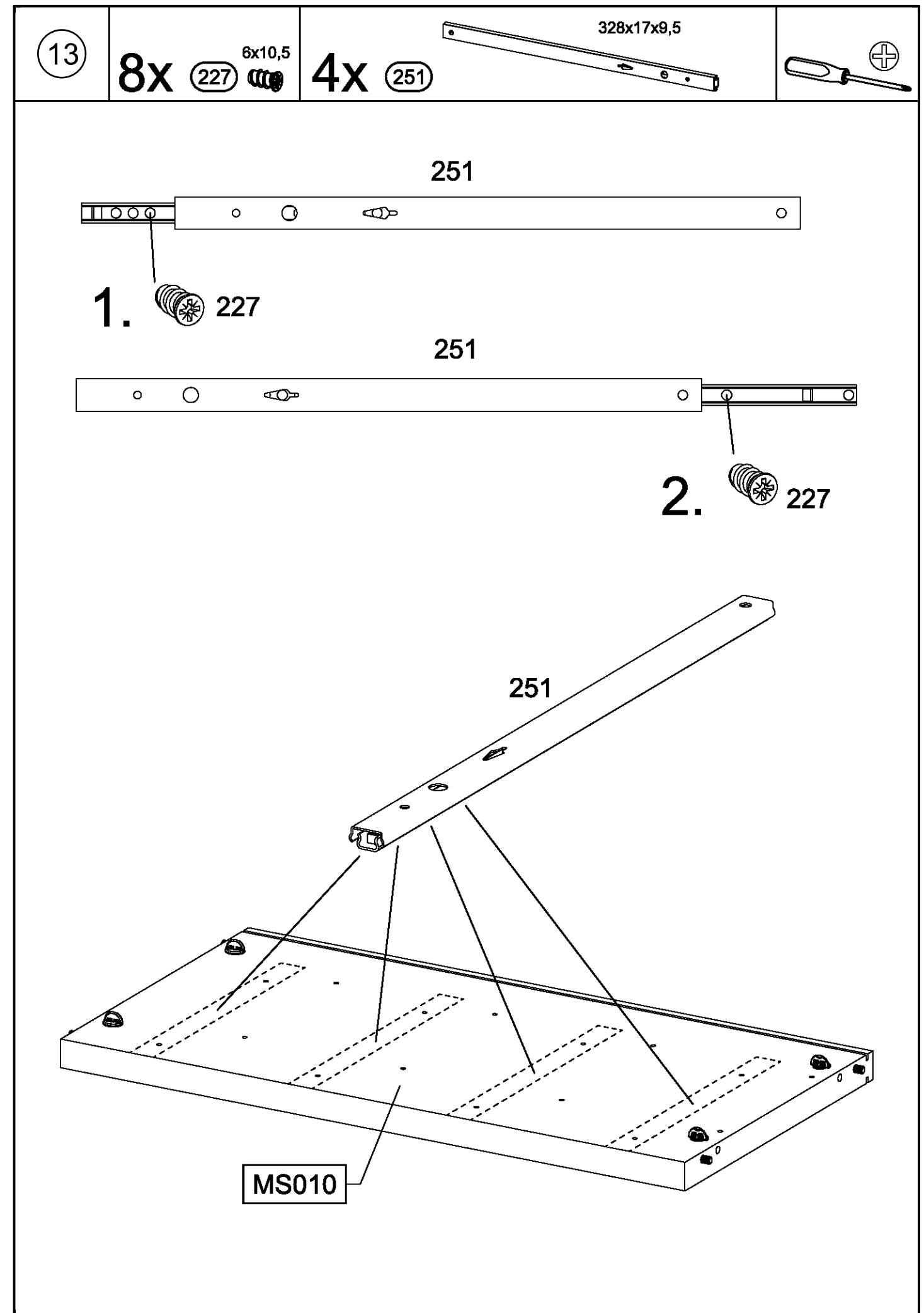
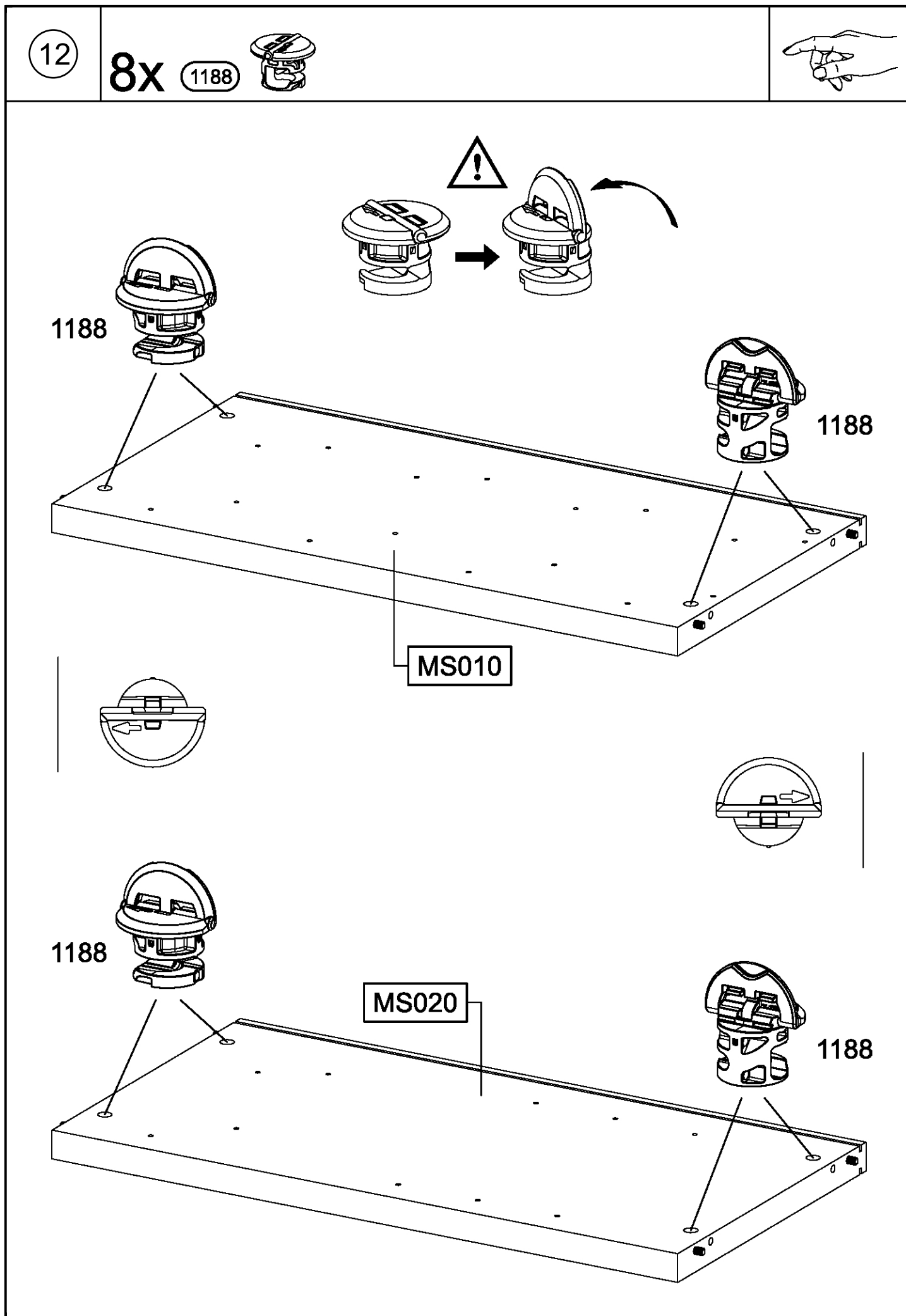


11

8x 18

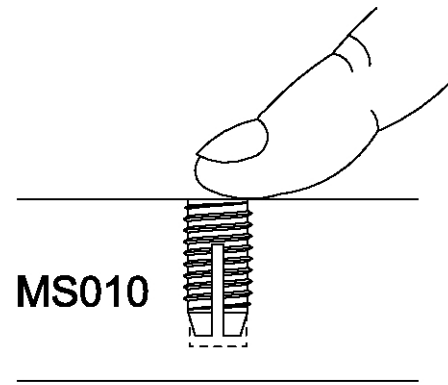
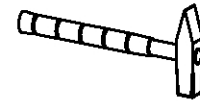
8x30



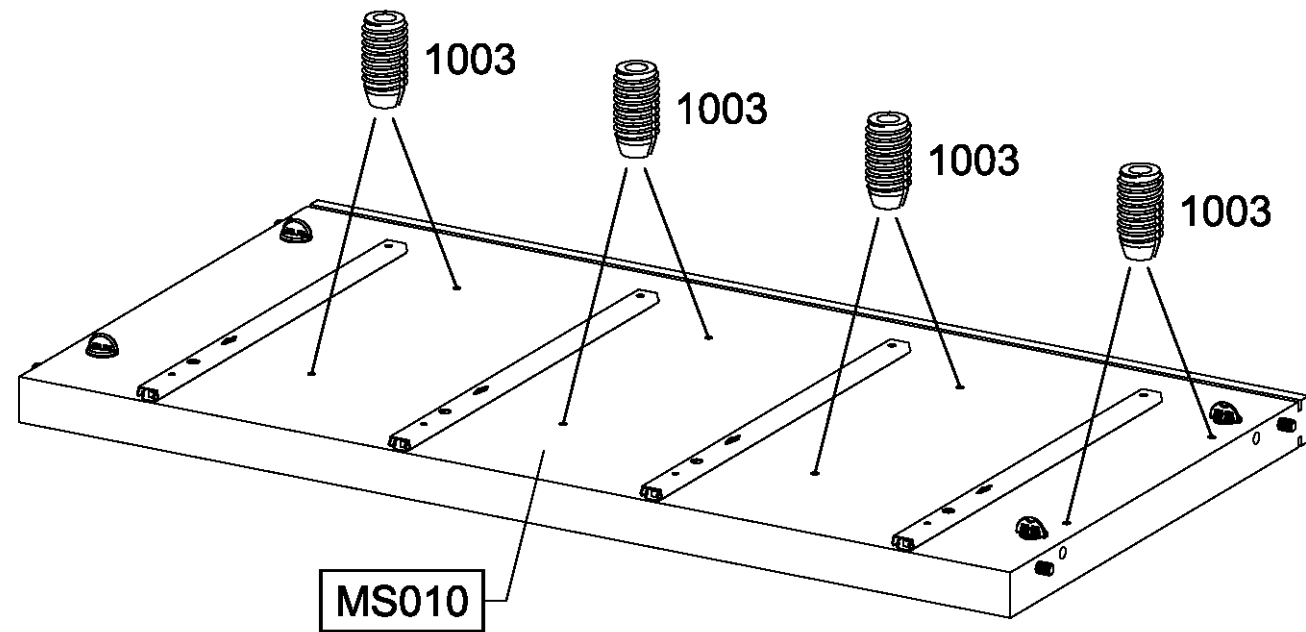


14

8x 1003 6x12

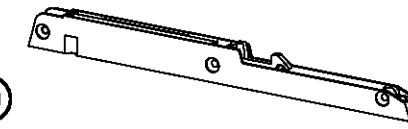


MS010

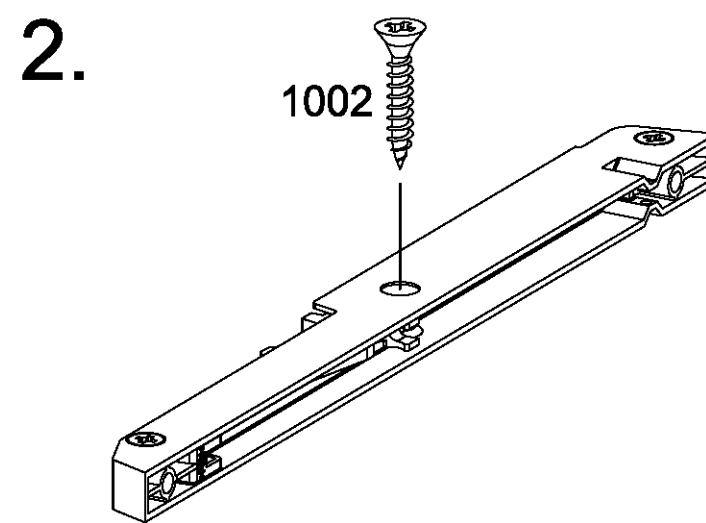
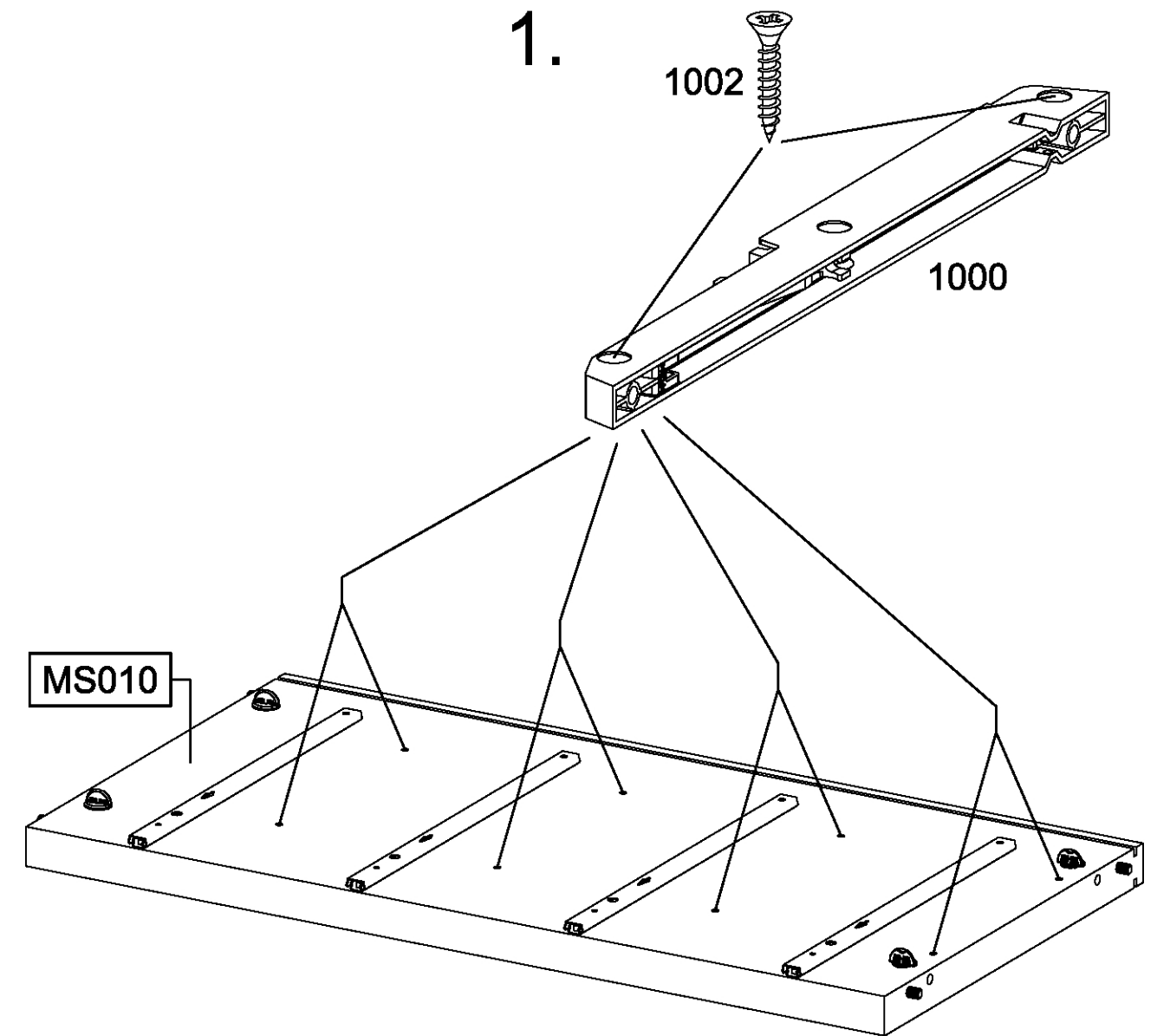
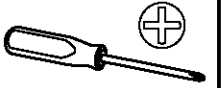


15

4x 1000



12x 1002 3,5x20

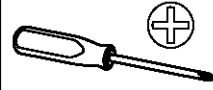


16

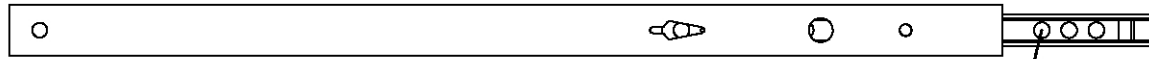
2x 227 6x10,5

1x 251

328x17x9,5

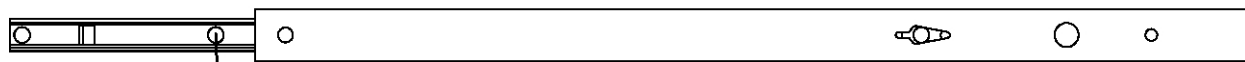


251



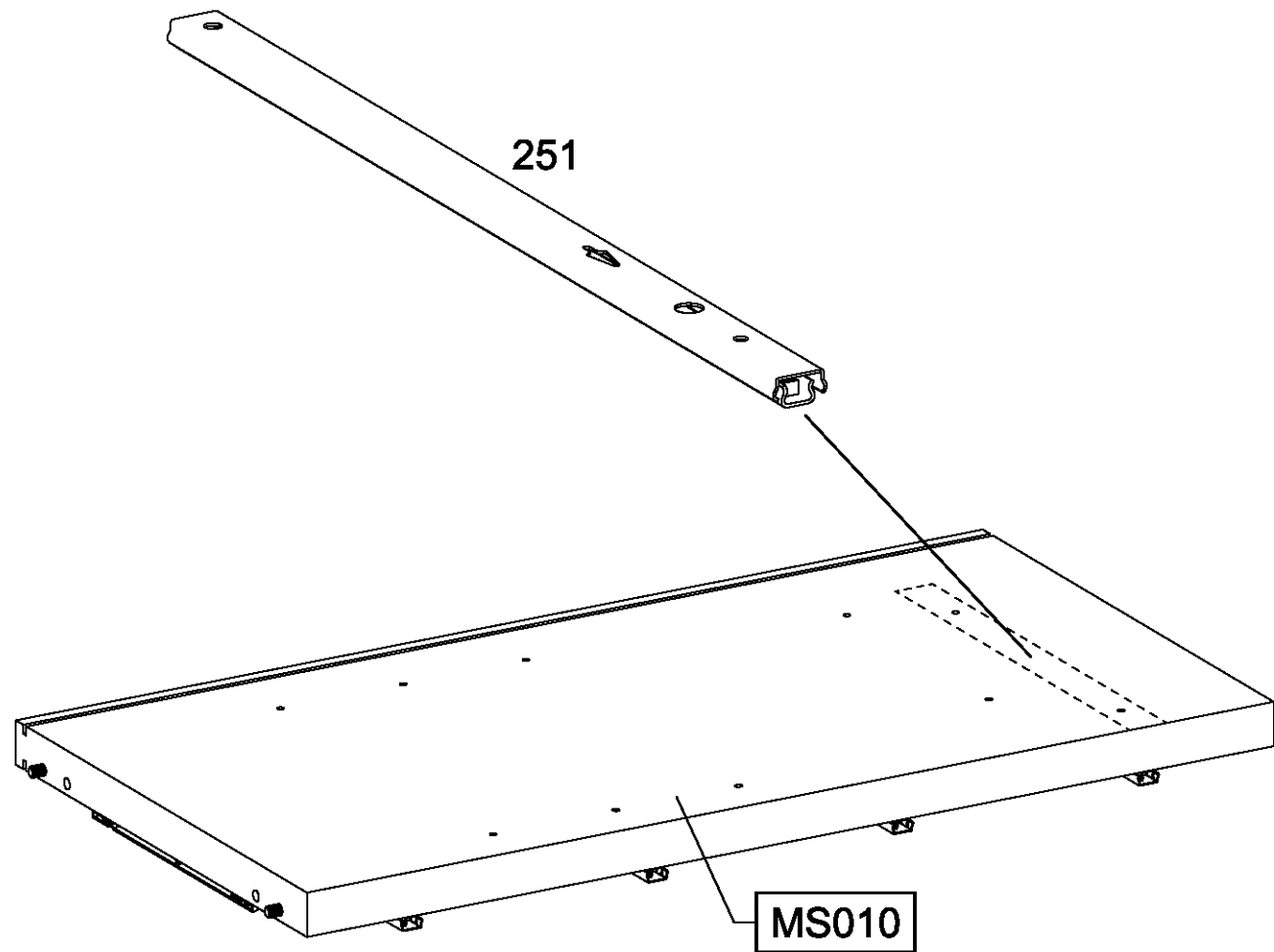
227 1.

251



227 2.

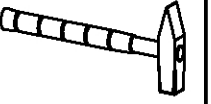
251



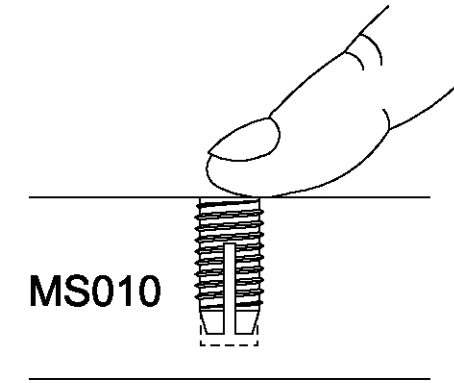
MS010

17

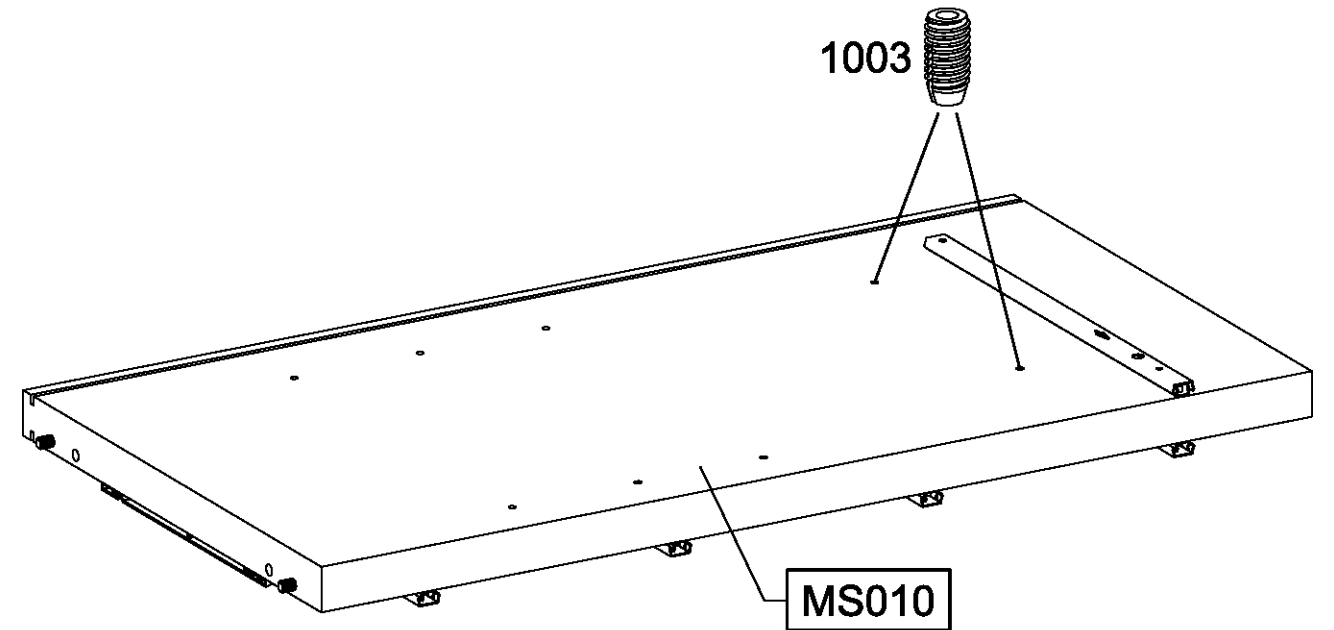
2x 1003 6x12



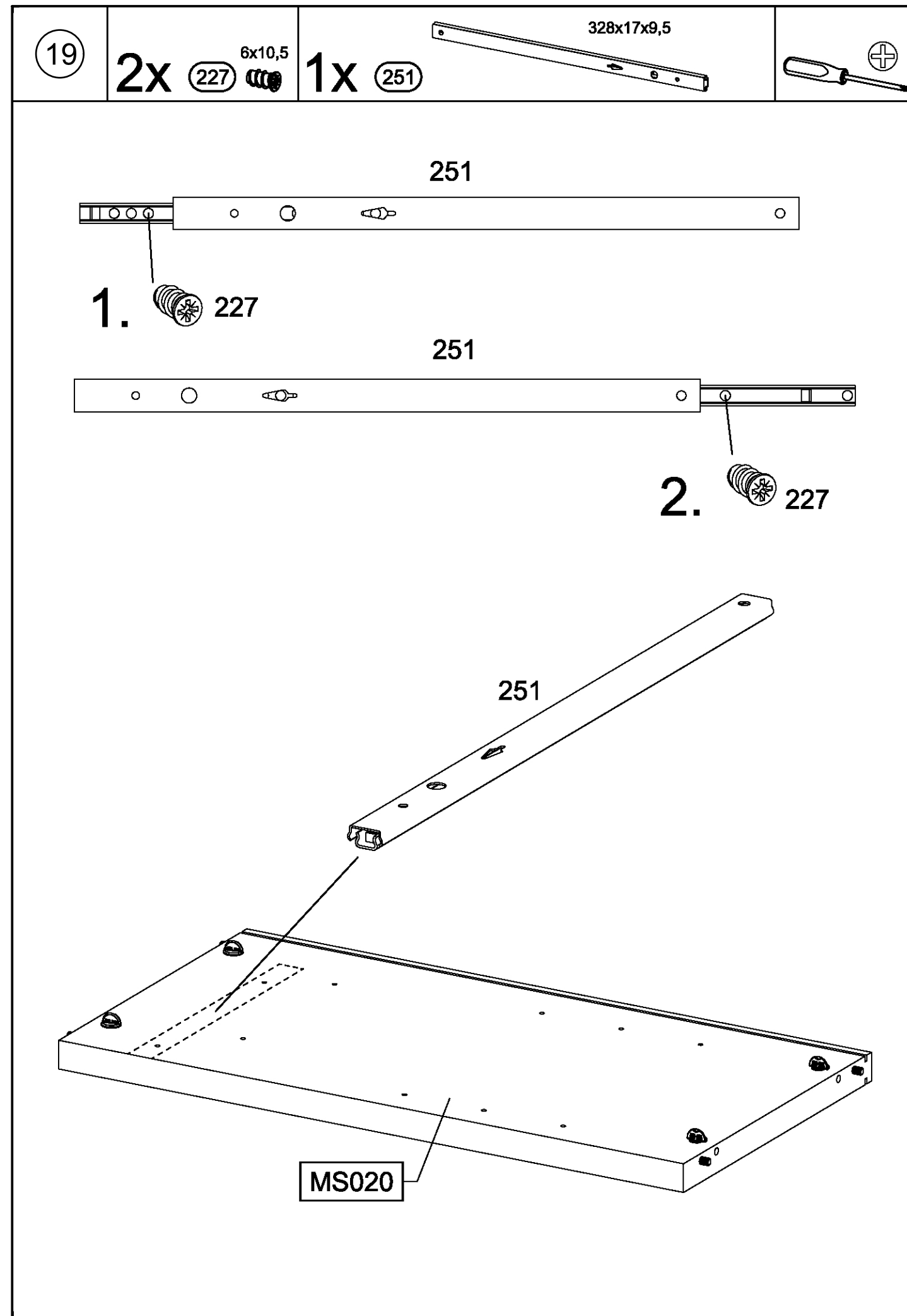
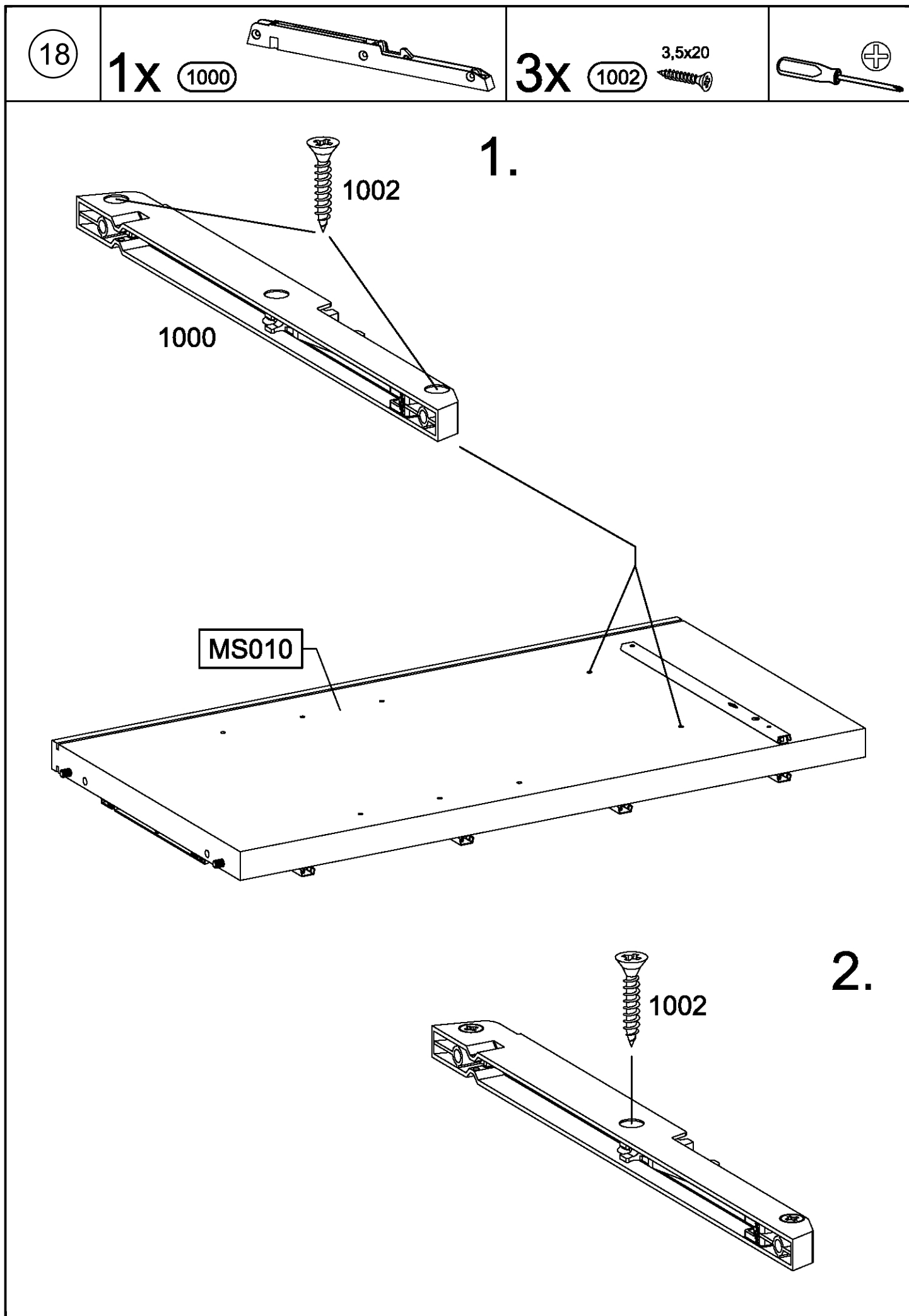
MS010



1003

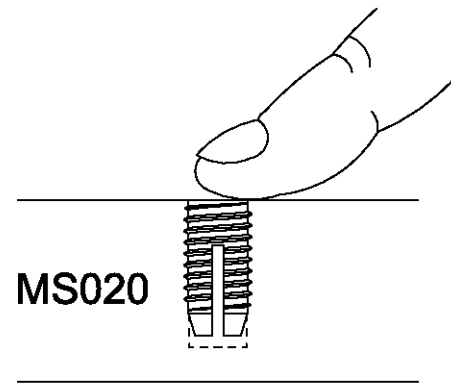
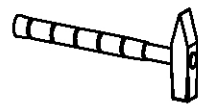


MS010

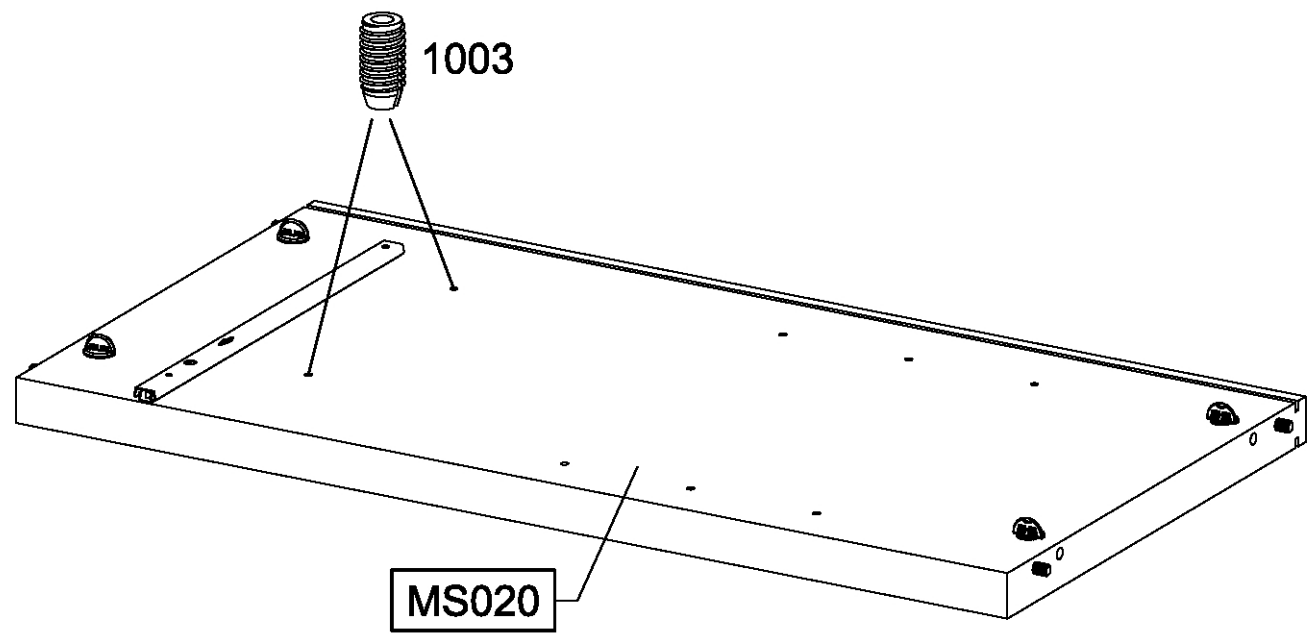


20

2x 1003 6x12



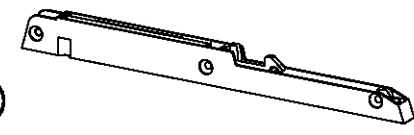
MS020



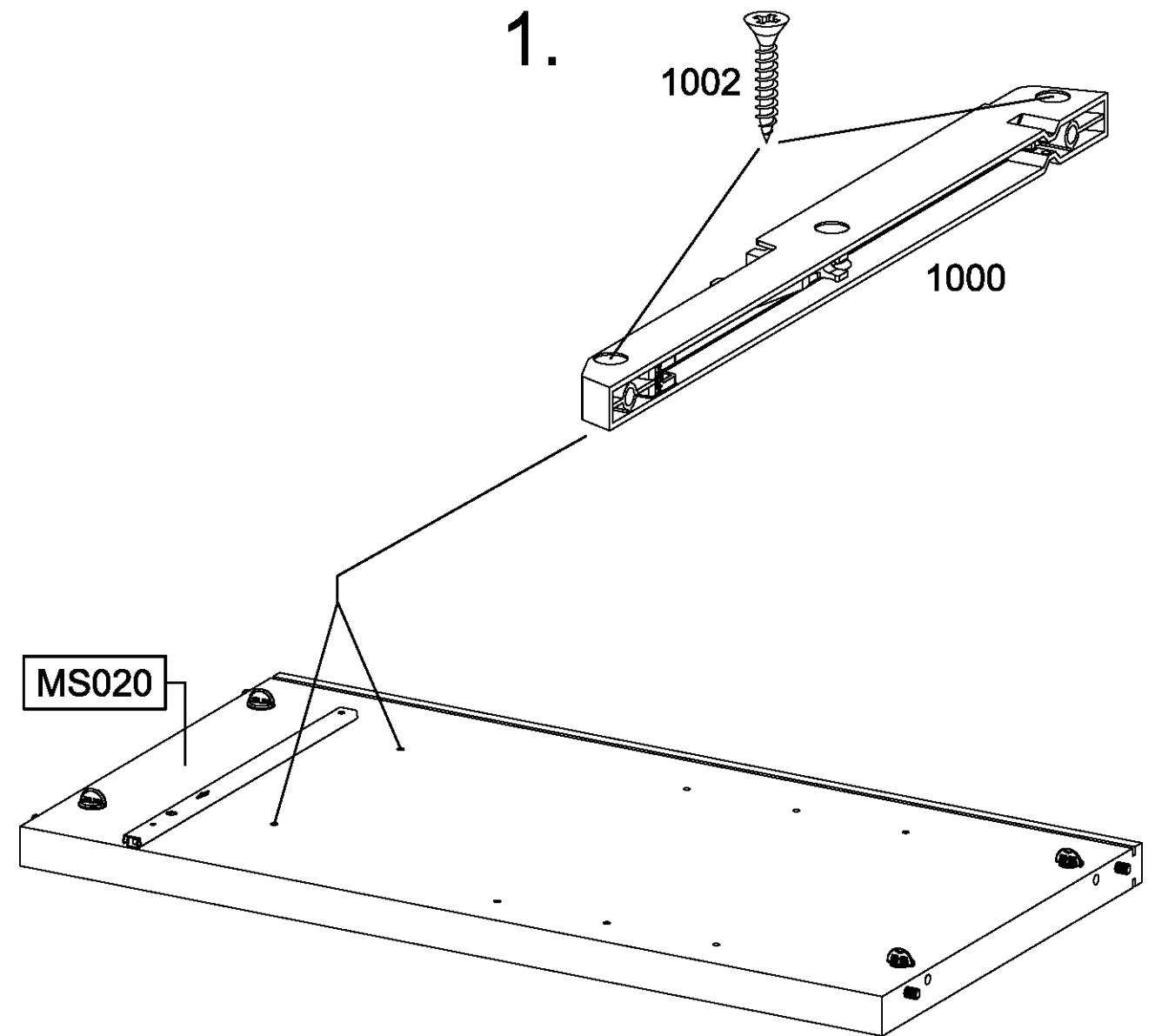
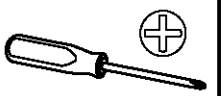
MS020

21

1x 1000



3x 1002 3,5x20



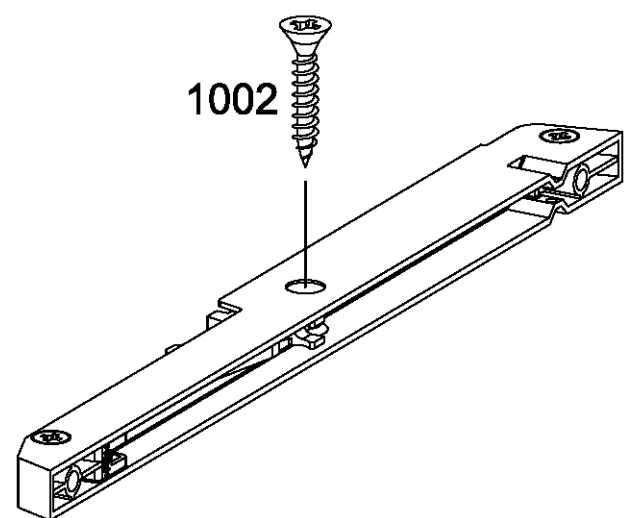
MS020

1.

1002

1000

2.



1002

22

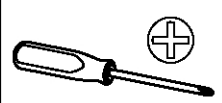
8x

227 6x10,5

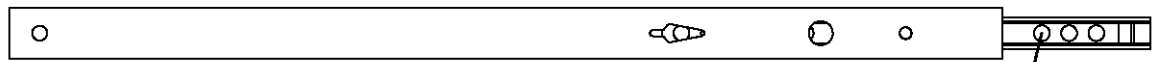
4x

251

328x17x9,5

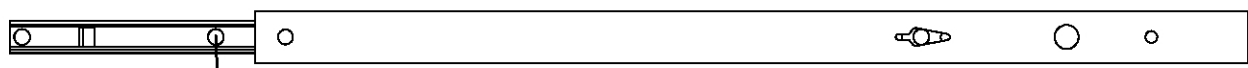


251



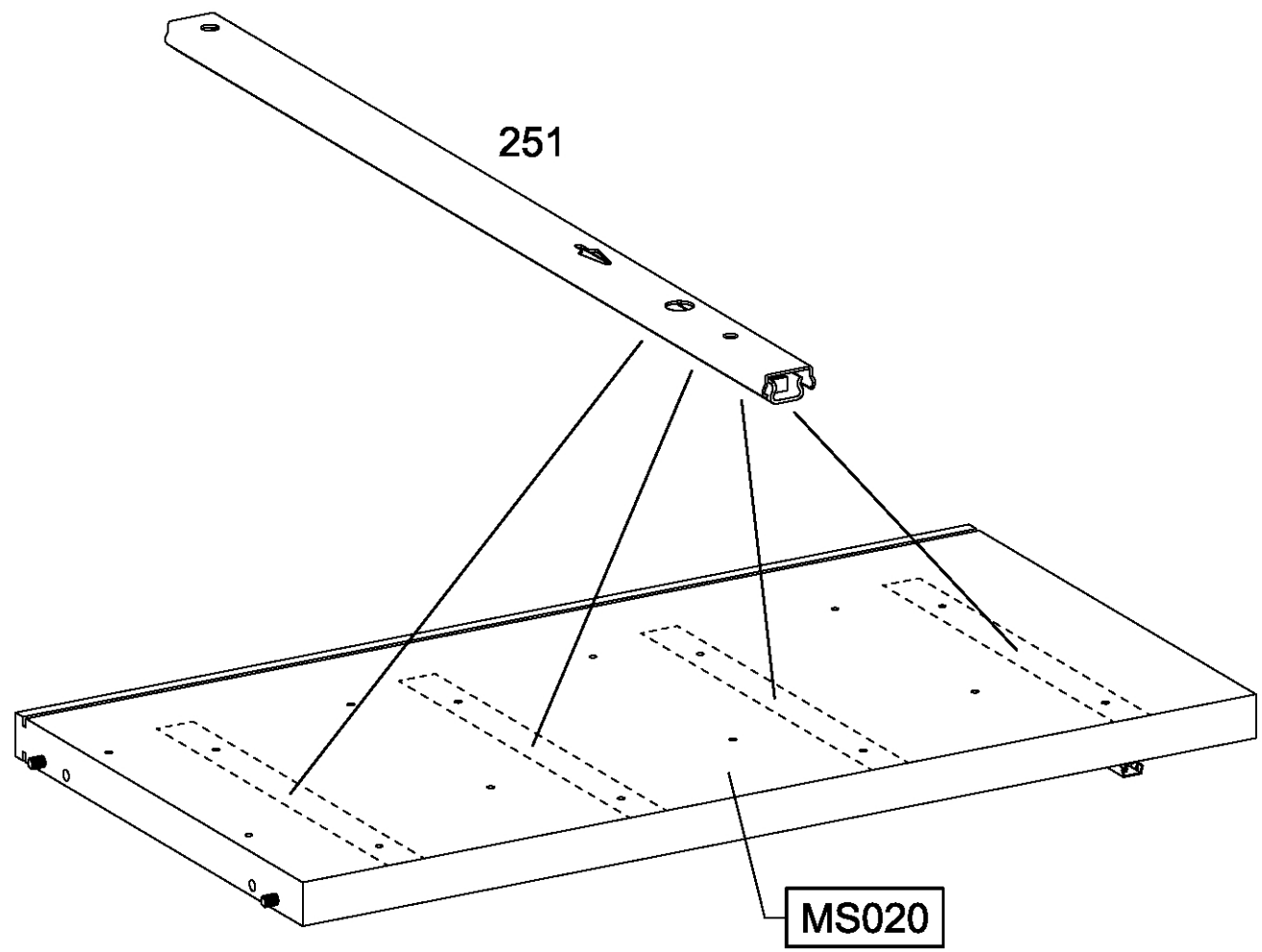
227 1.

251



227 2.

251

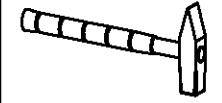


MS020

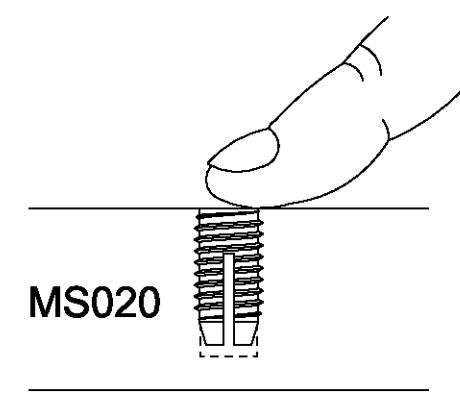
23

8x

1003 6x12



MS020

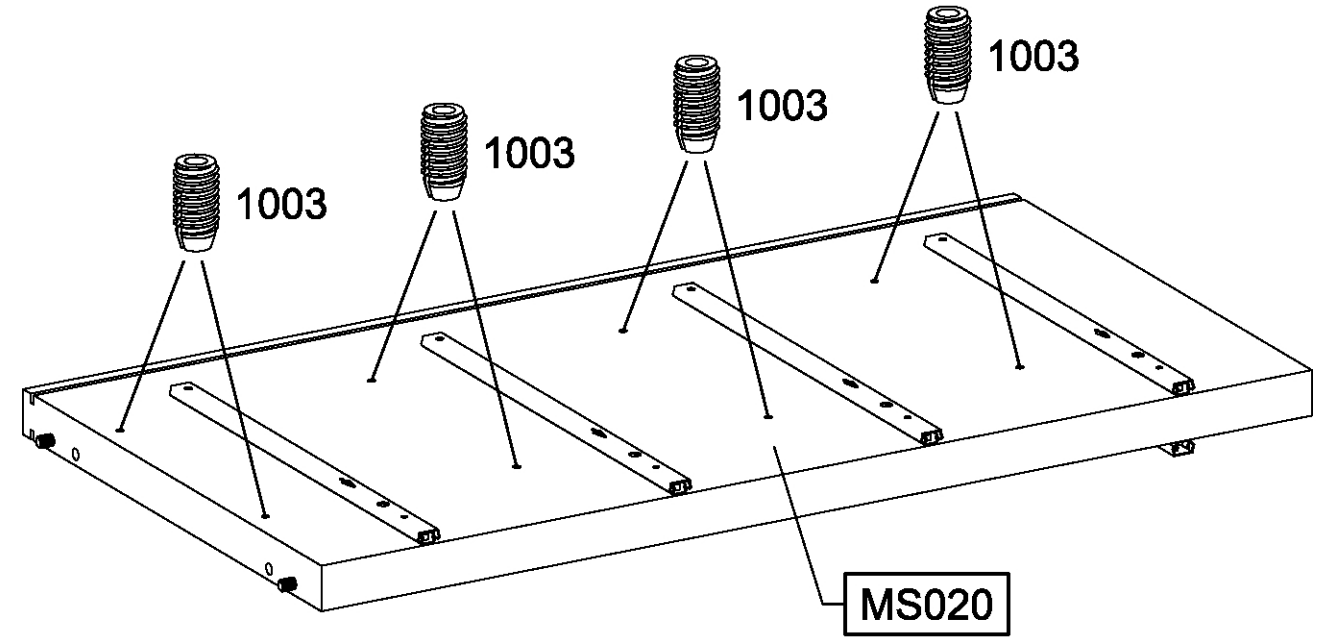


1003

1003

1003

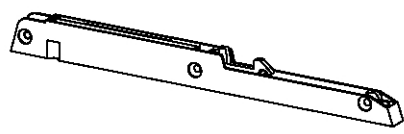
1003



MS020

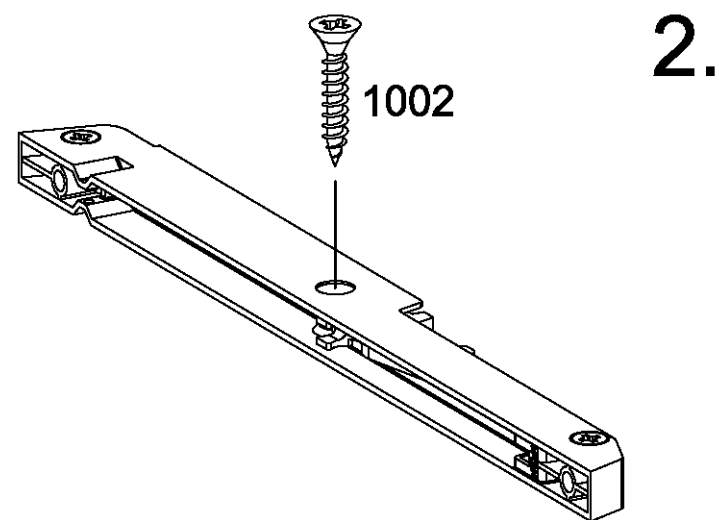
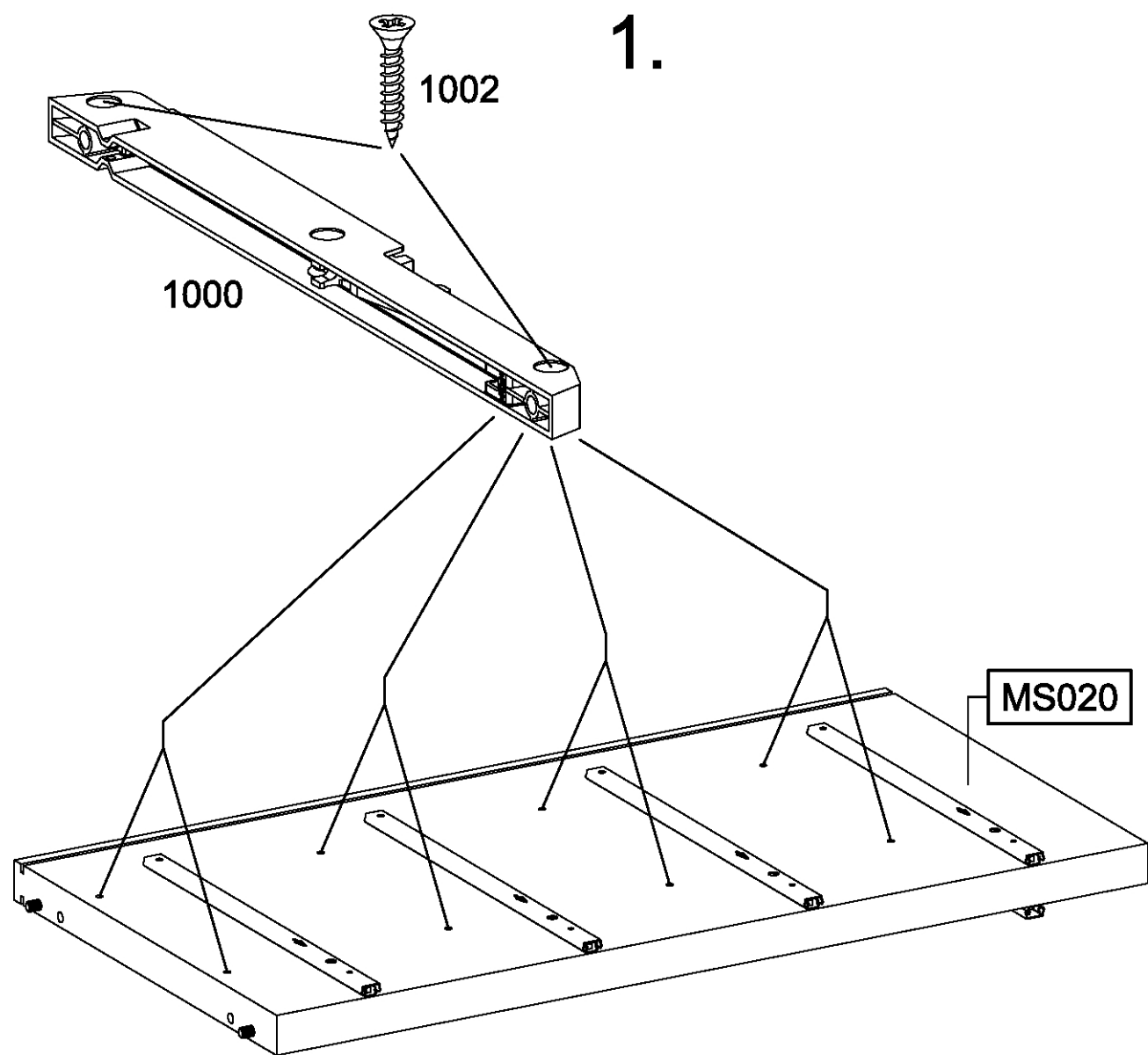
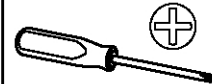
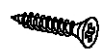
24

4x 1000



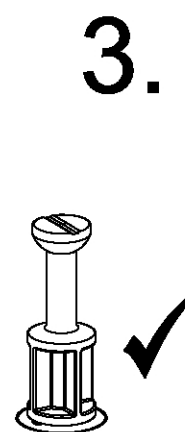
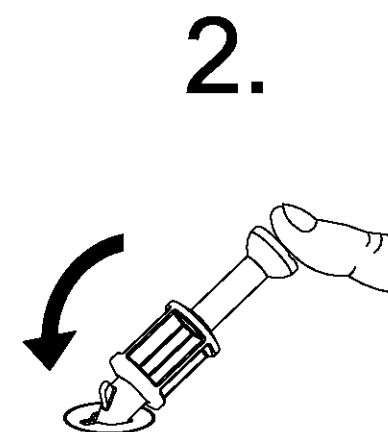
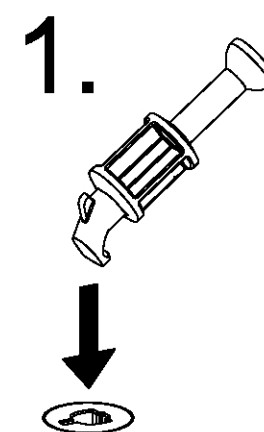
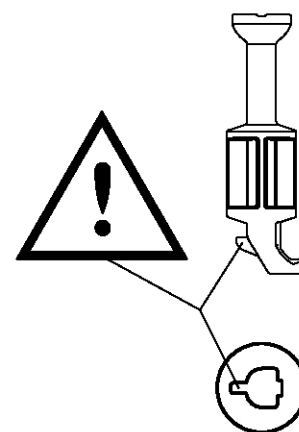
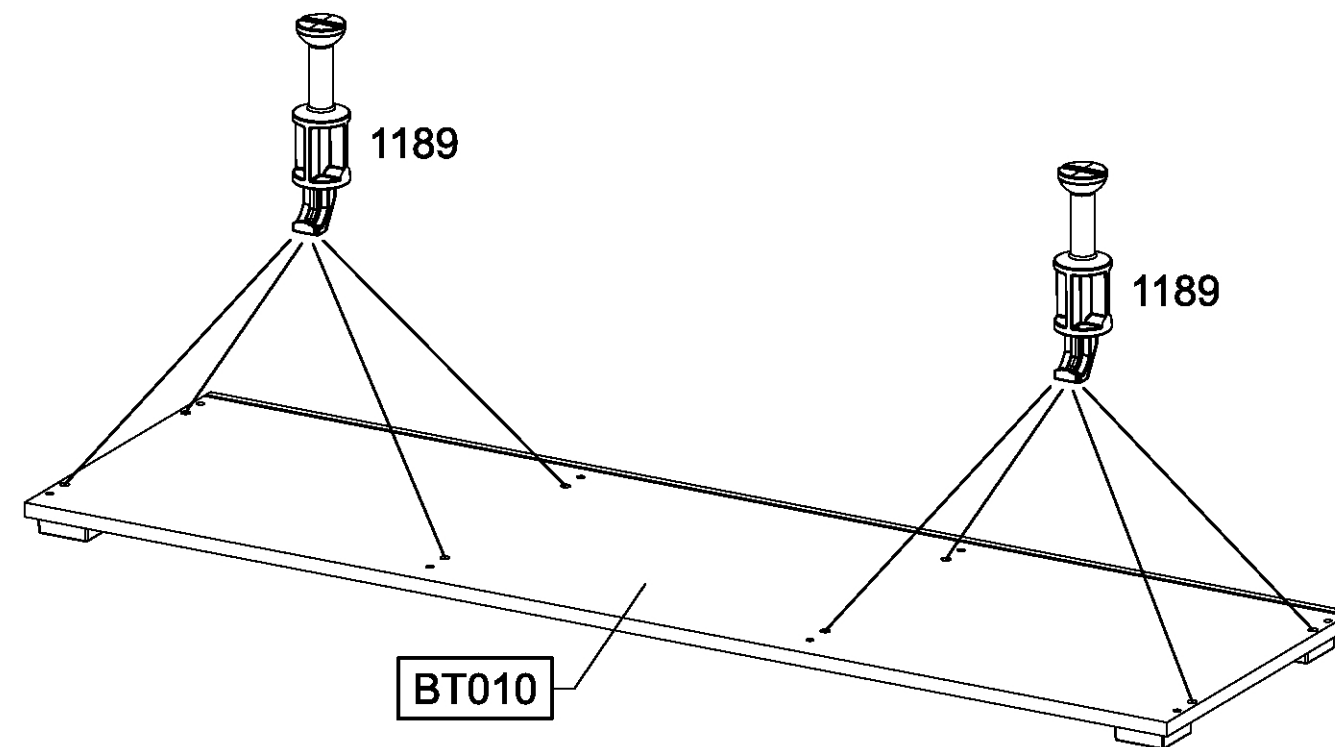
12x 1002

3,5x20

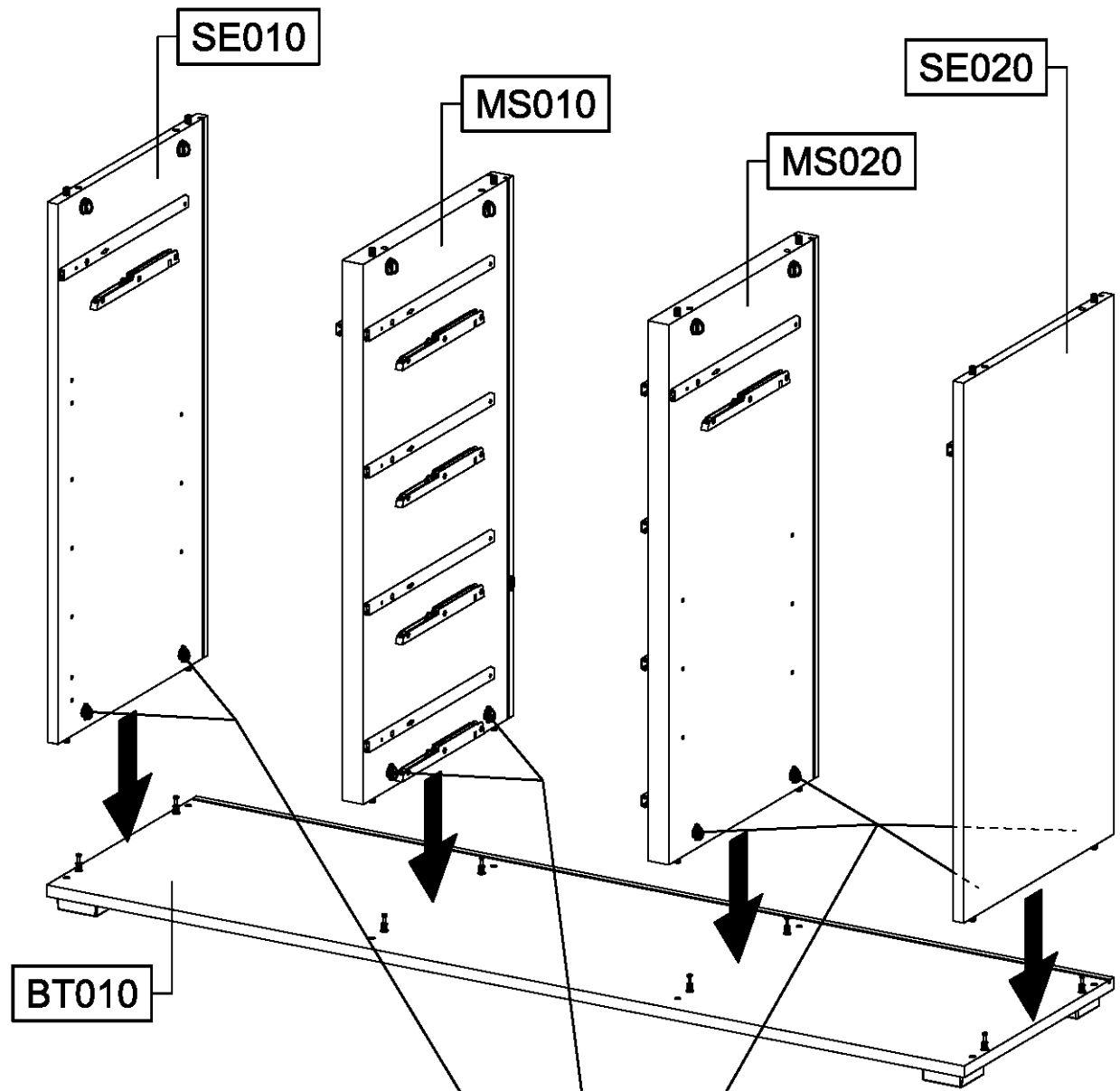


25

8x 1189

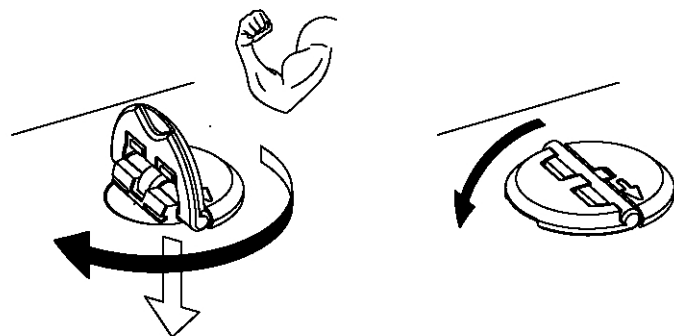


26

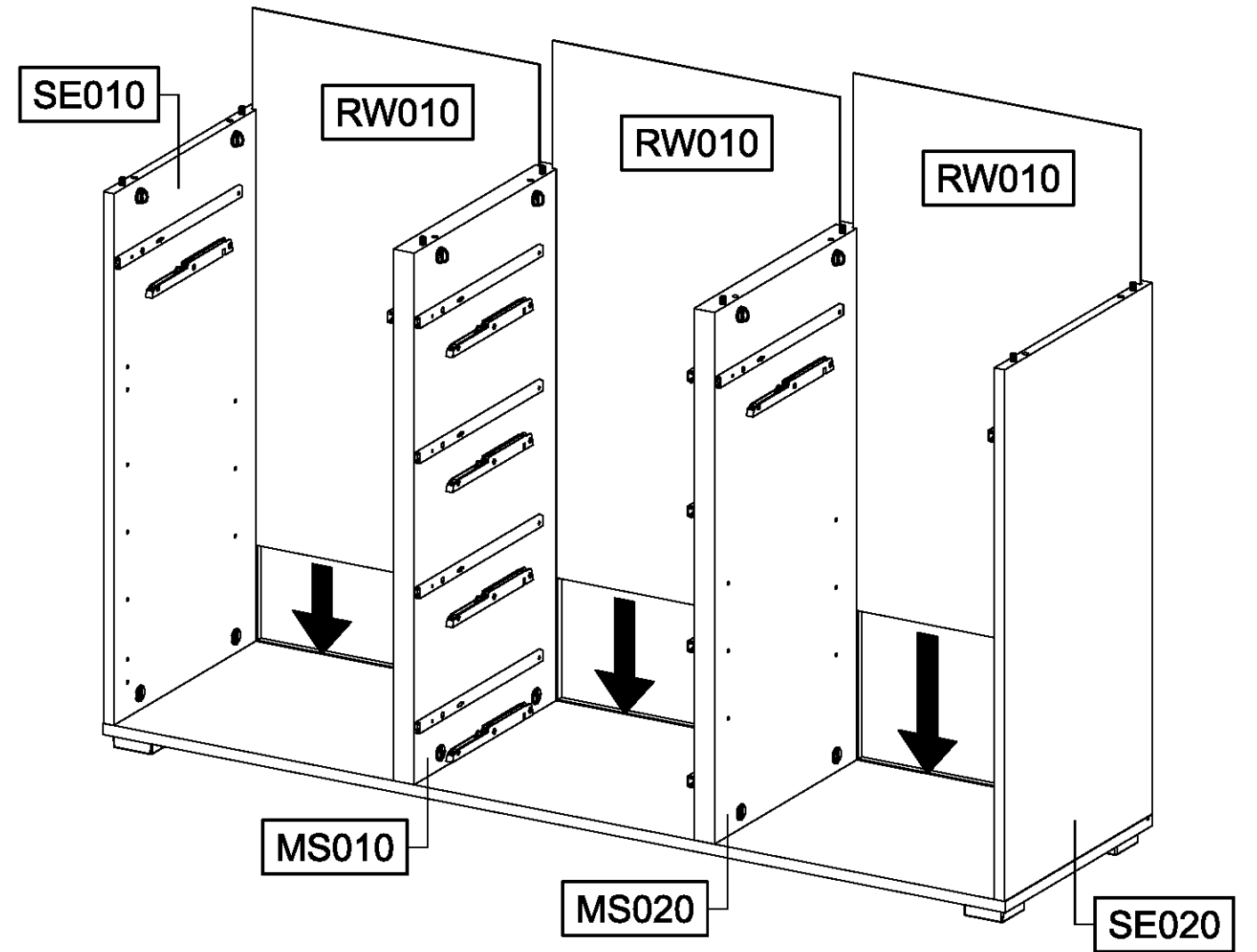


1.

2.

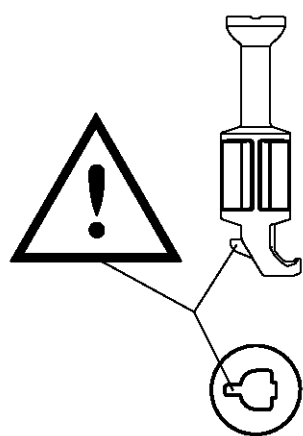
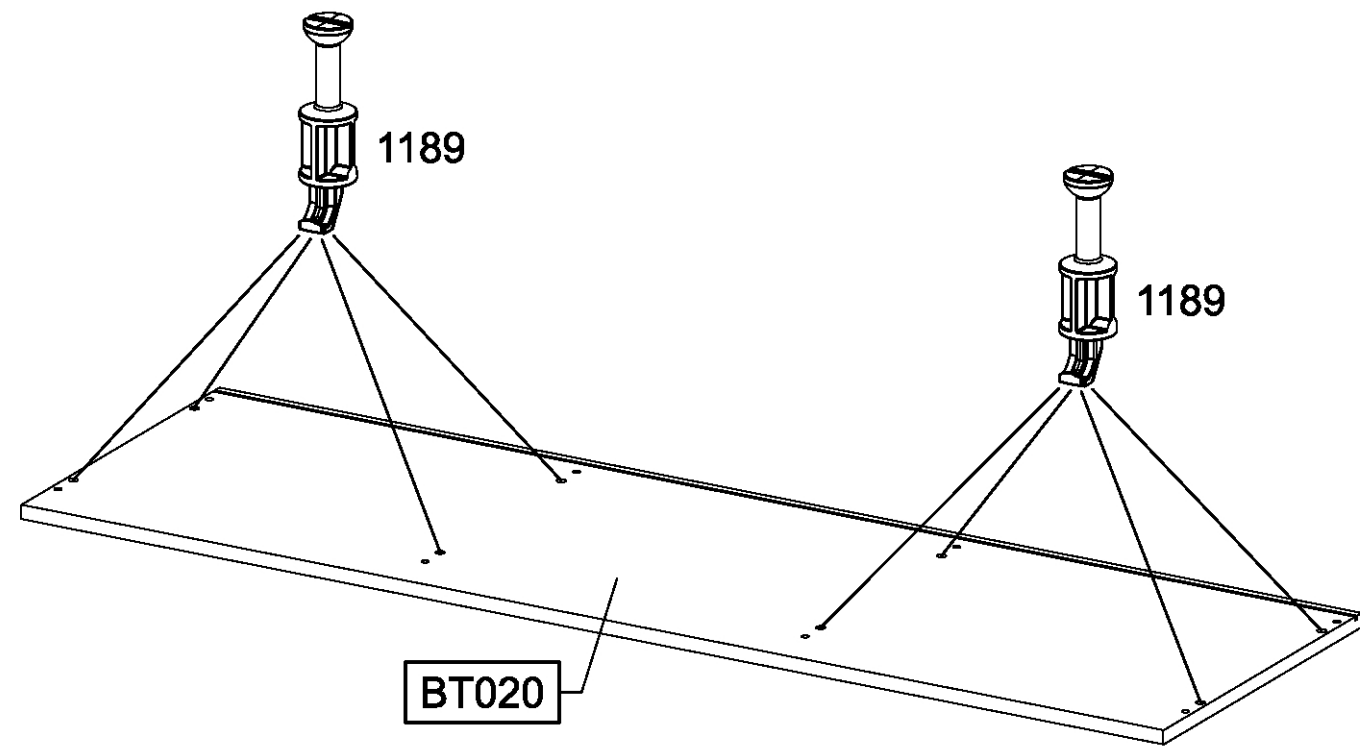


27

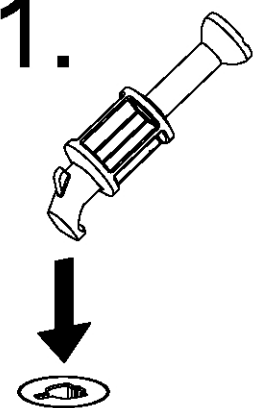


28

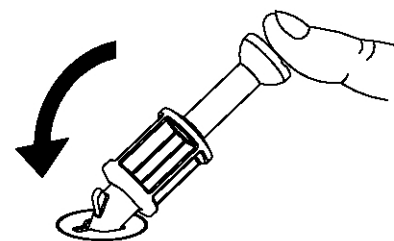
8x 1189



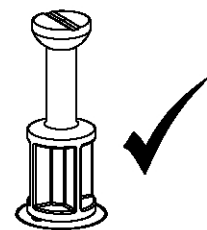
1.



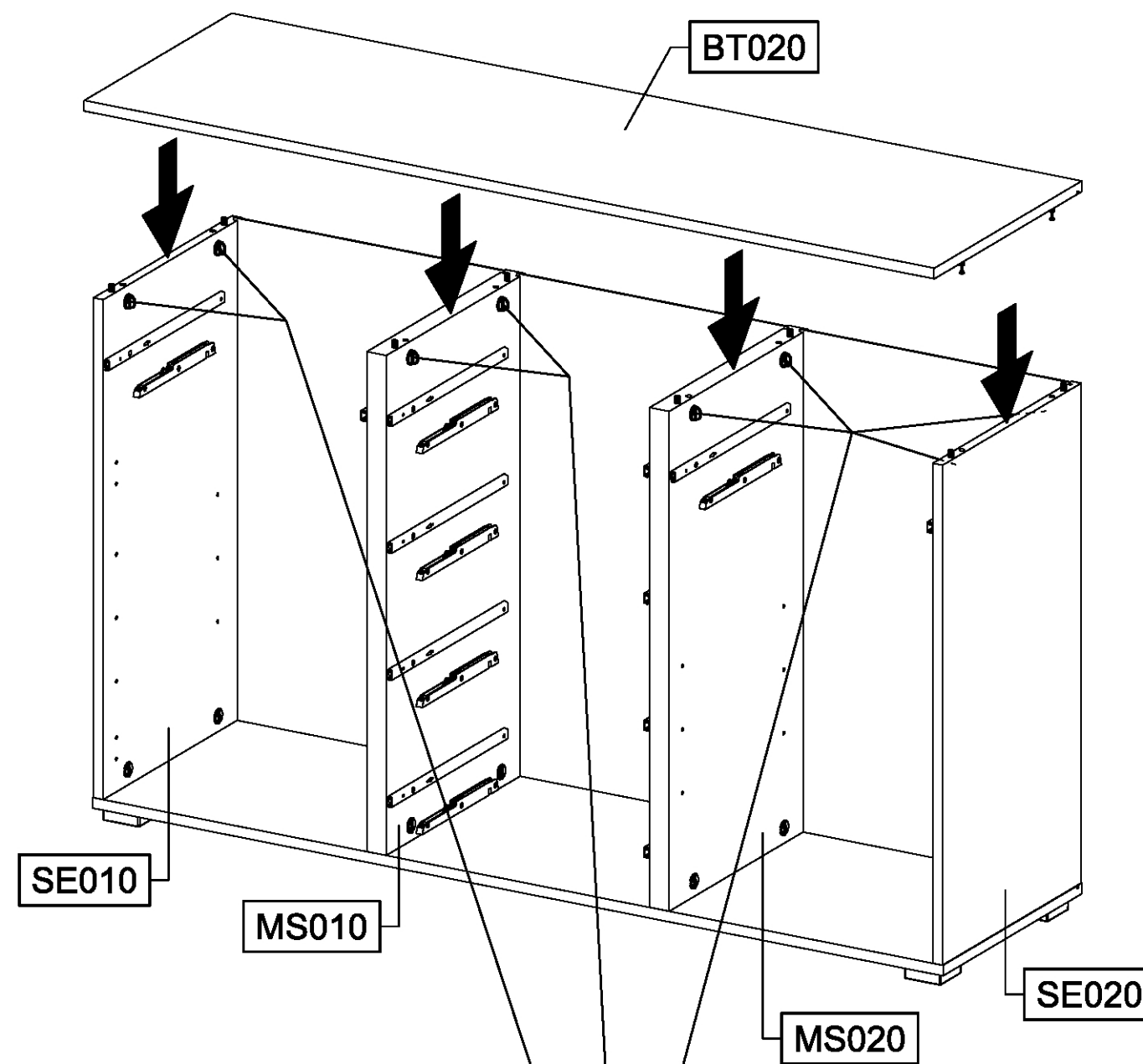
2.



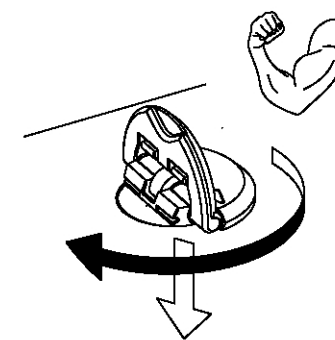
3.



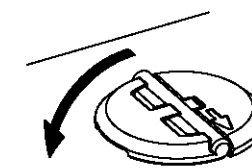
29



1.



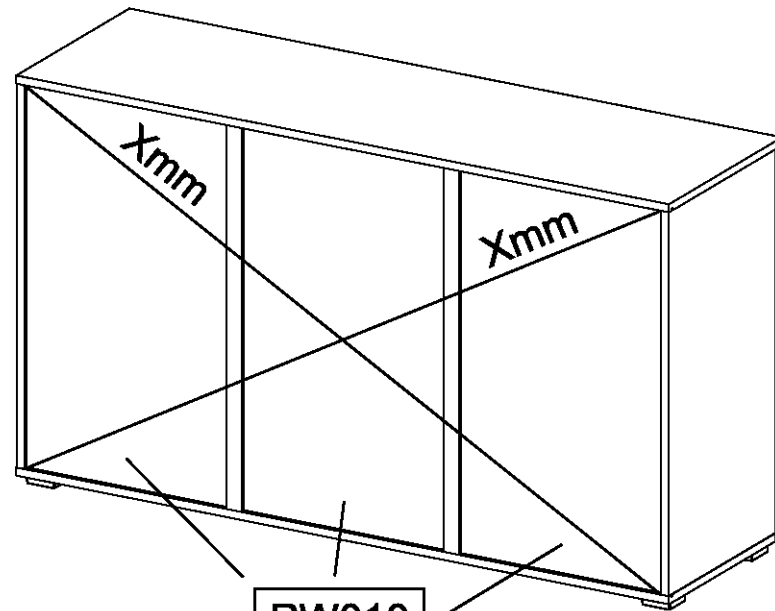
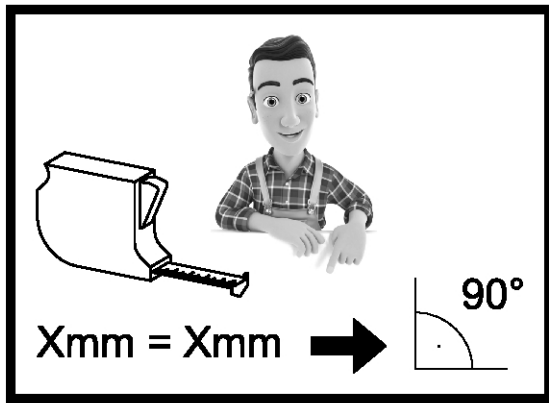
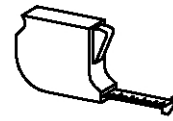
2.



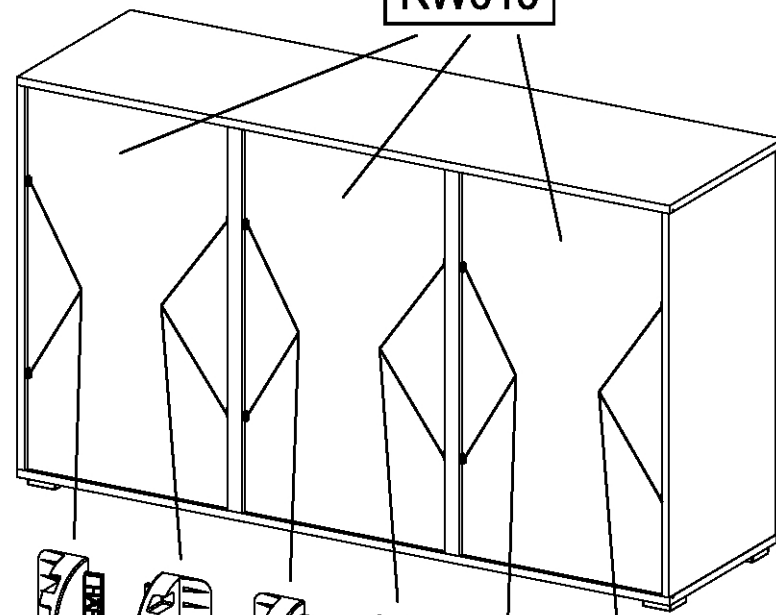
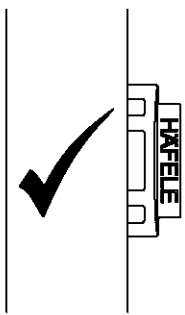
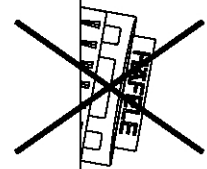
30

12x

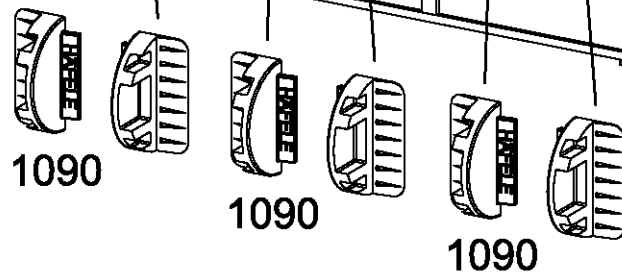
1090



RW010



RW010

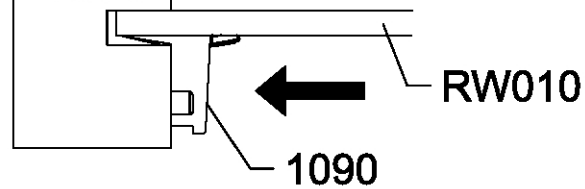


1090

1090

1090

SE010
SE020
MS010
MS020



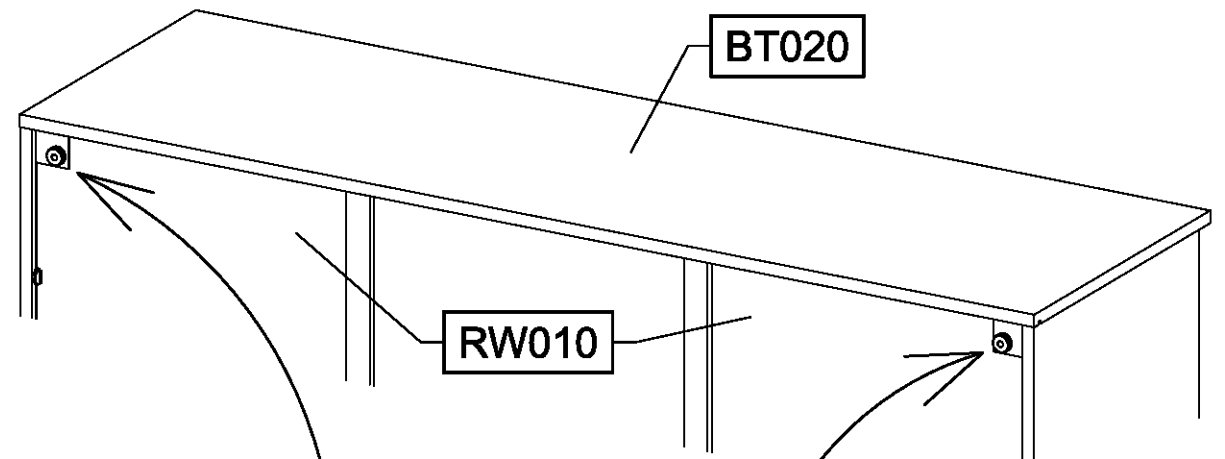
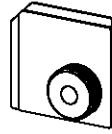
RW010

1090

31

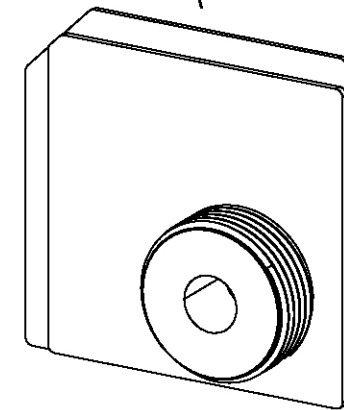
2x

1091

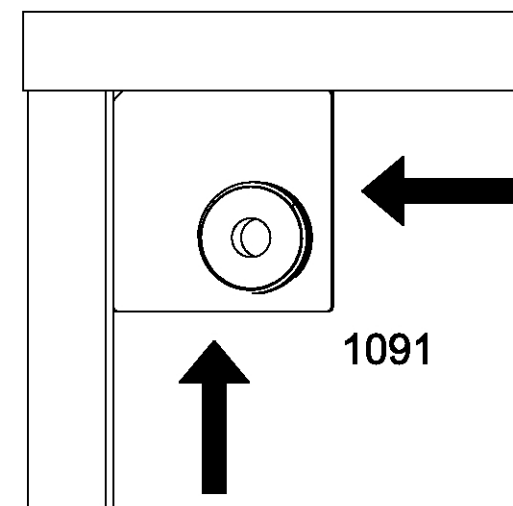
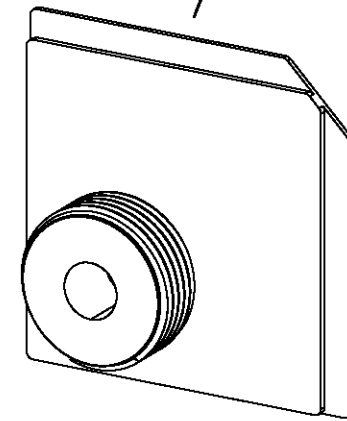


BT020

RW010

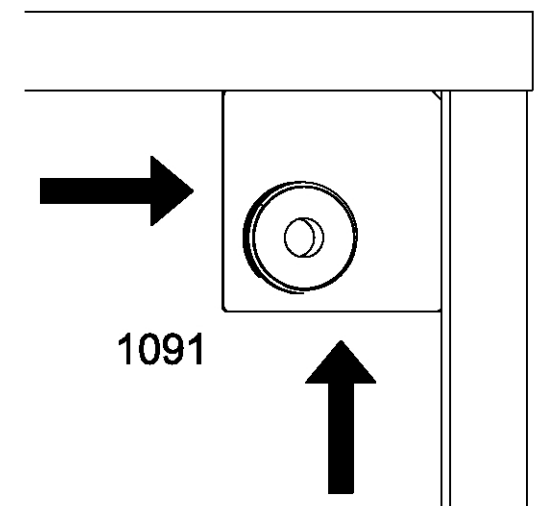


1091



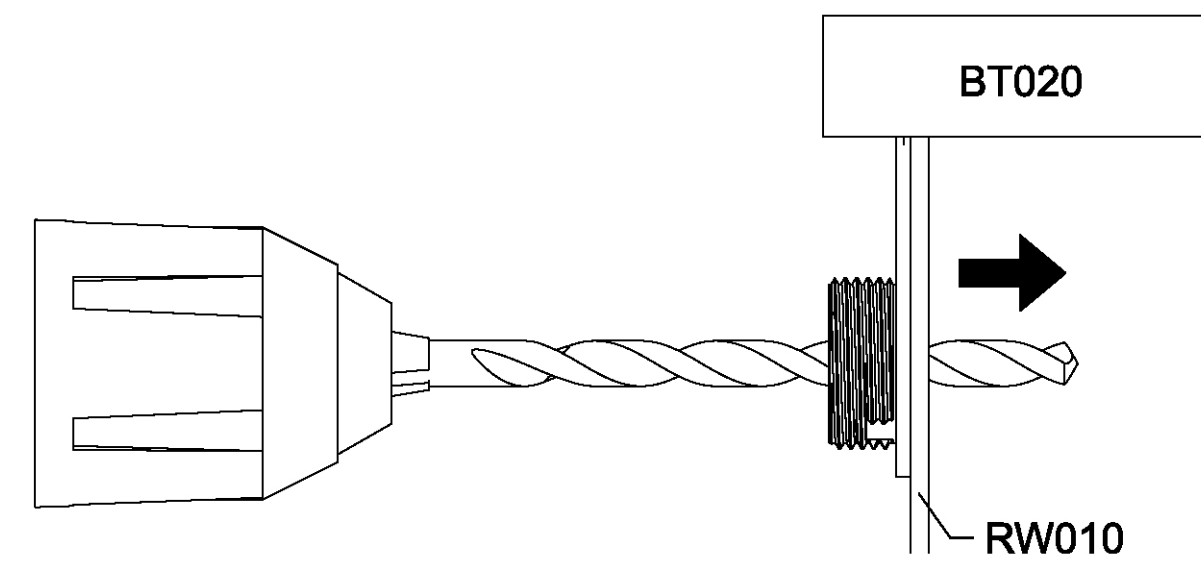
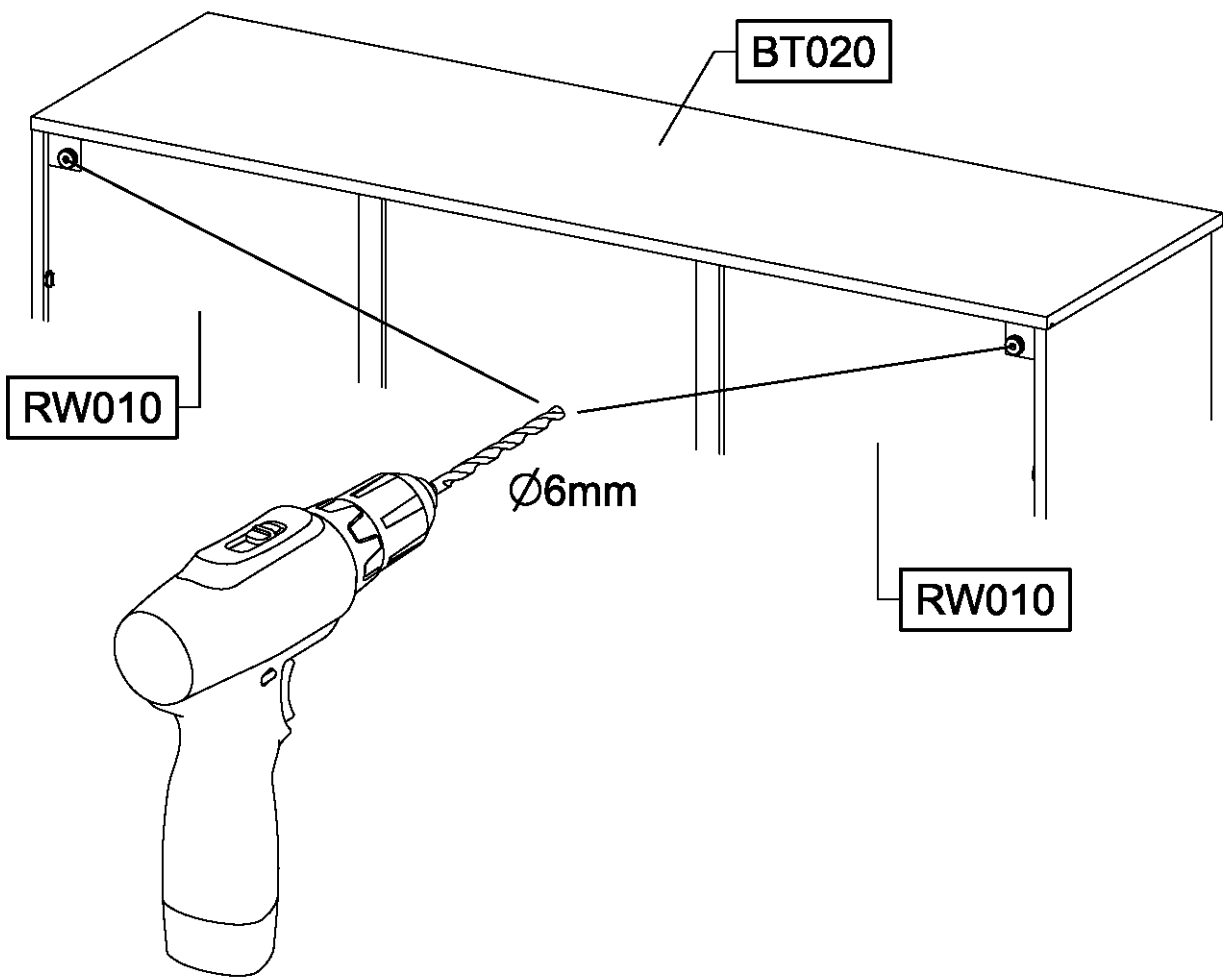
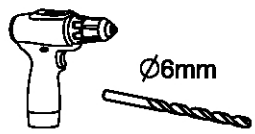
1091

RW010

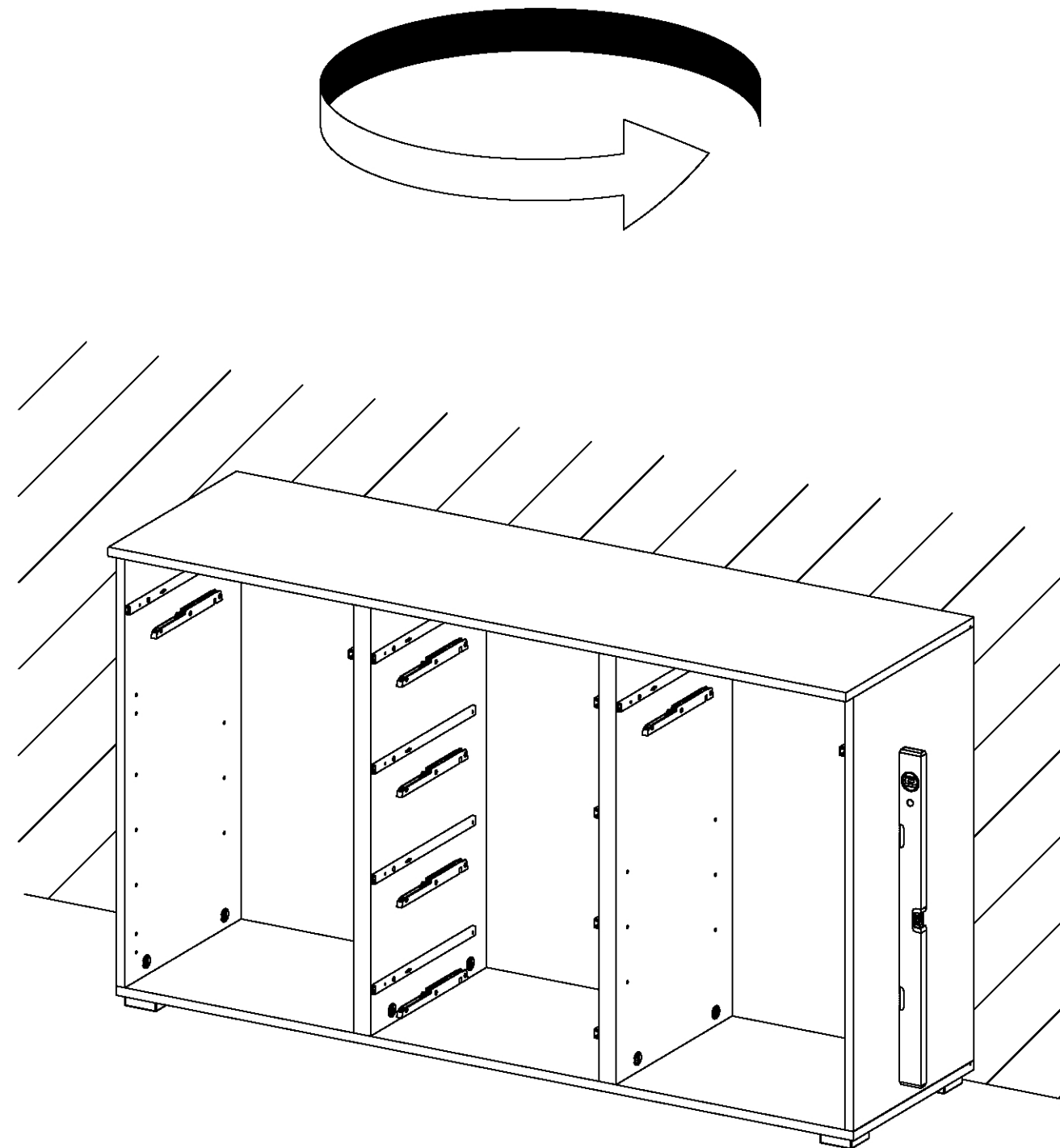


1091

32



33



34

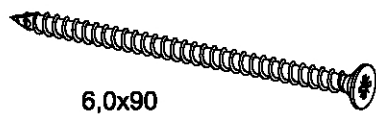
2x

1093

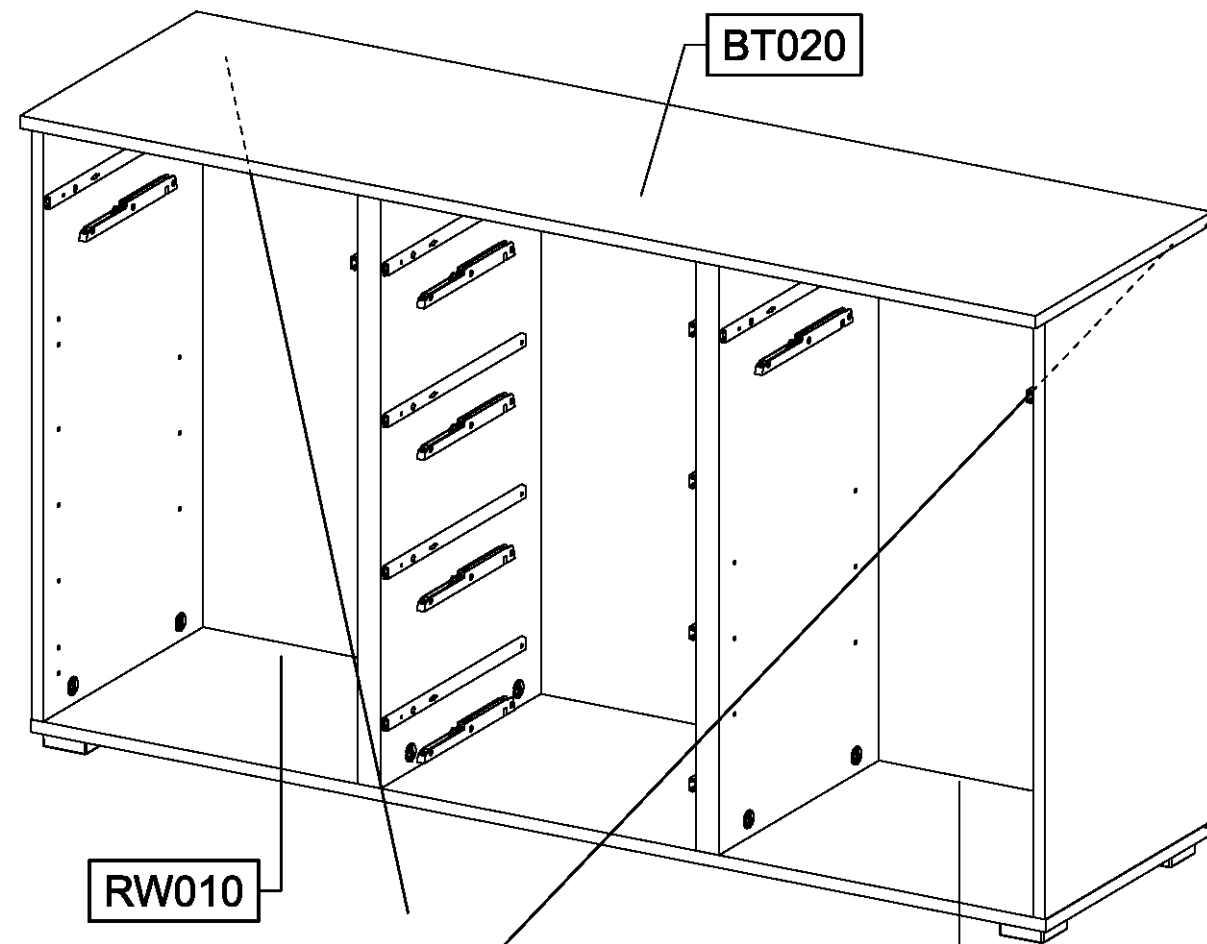
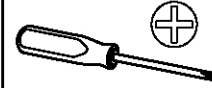


2x

1147



6,0x90



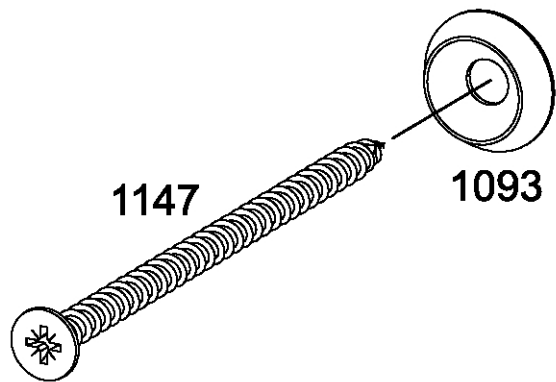
RW010

BT020

RW010

1147

1093

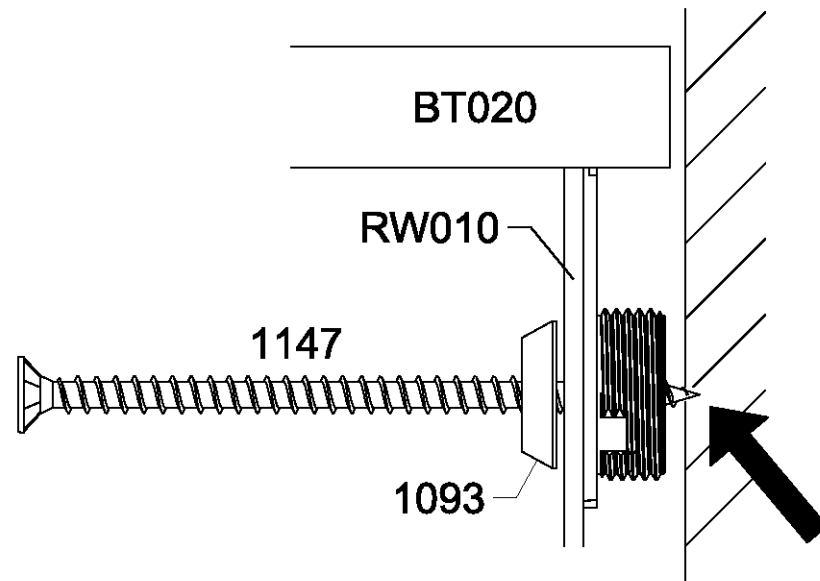


BT020

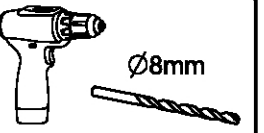
RW010

1147

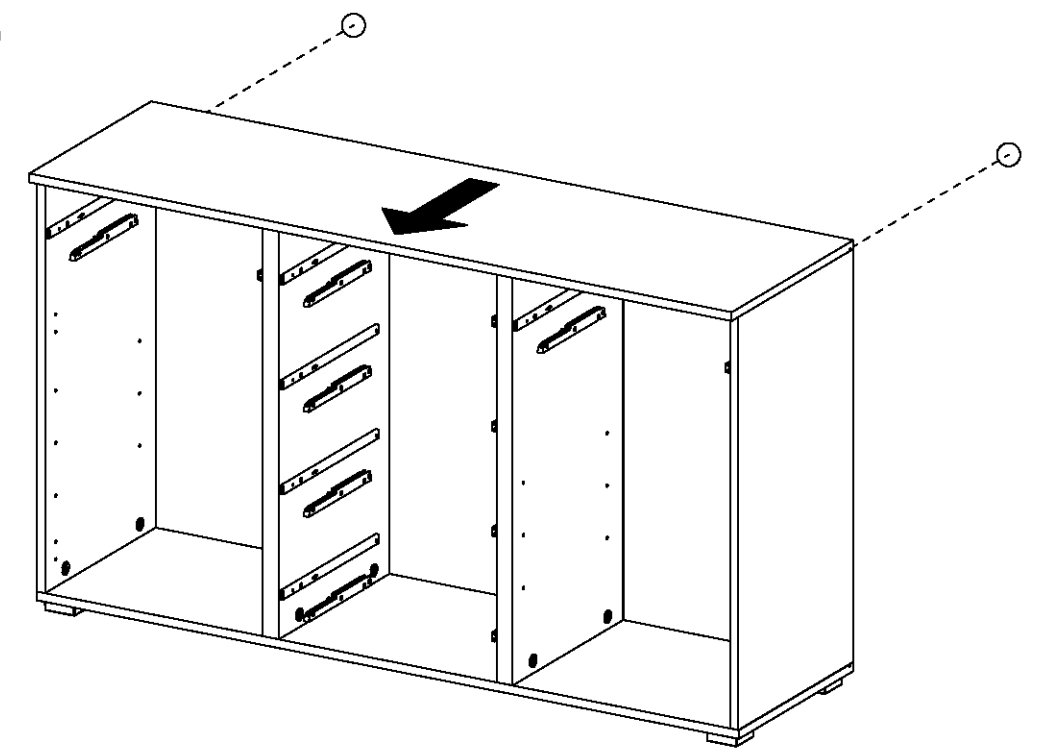
1093



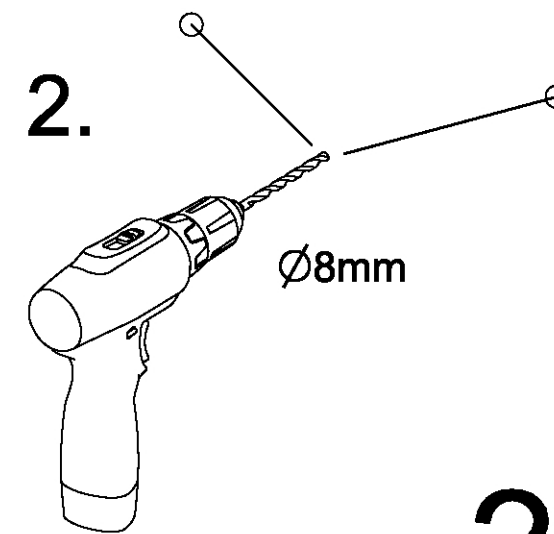
35



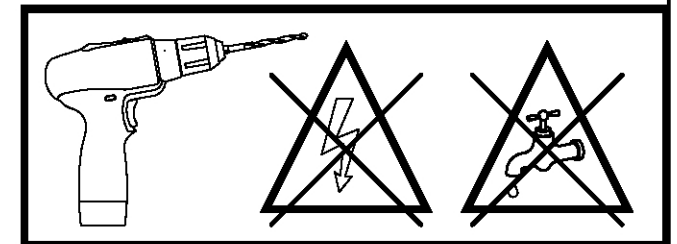
1.



2.

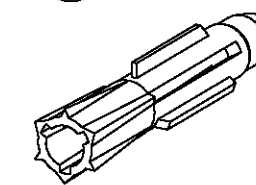
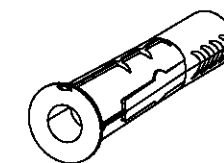


Ø8mm

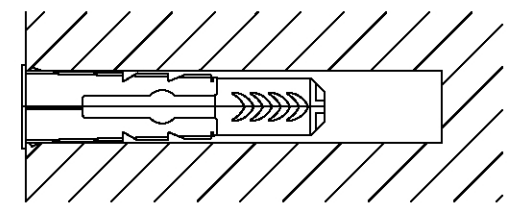


?

3.



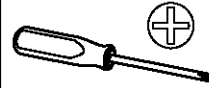
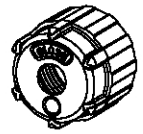
Ø8mm



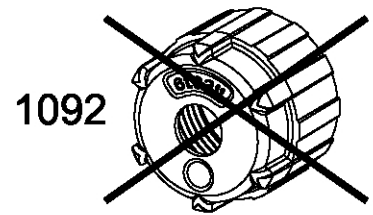
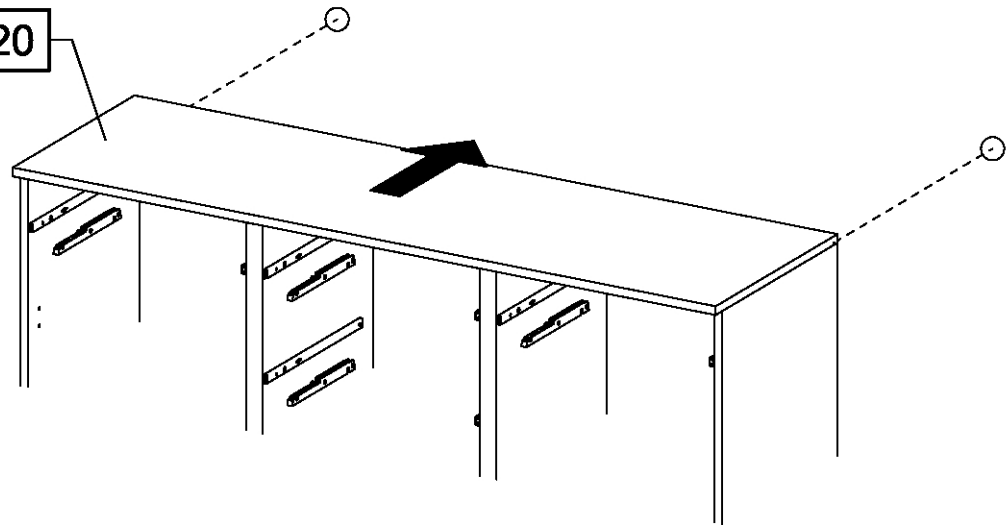
36

2x

1092



BT020



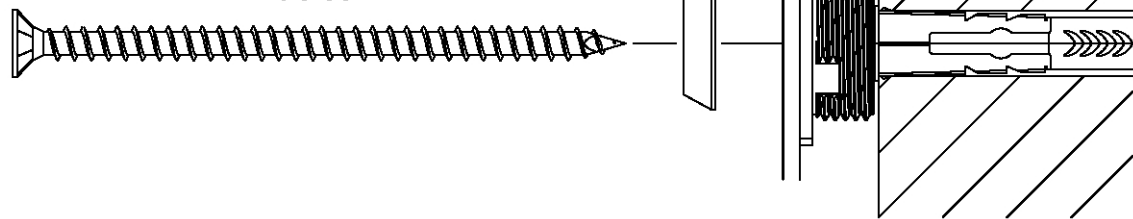
1092



BT020

1093

1147



10-15mm

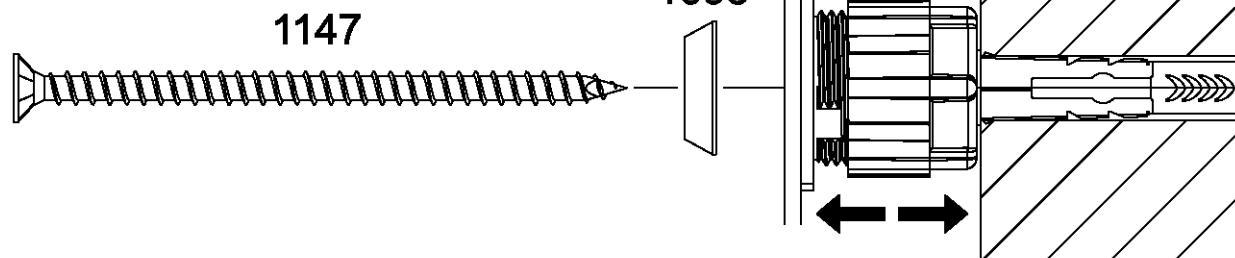


BT020

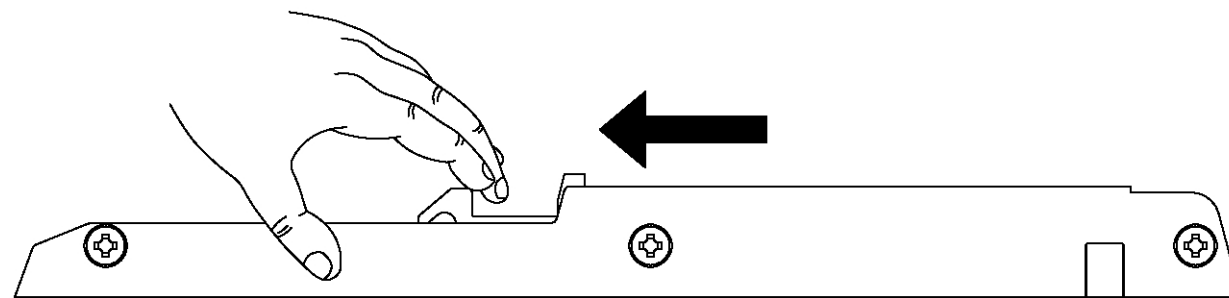
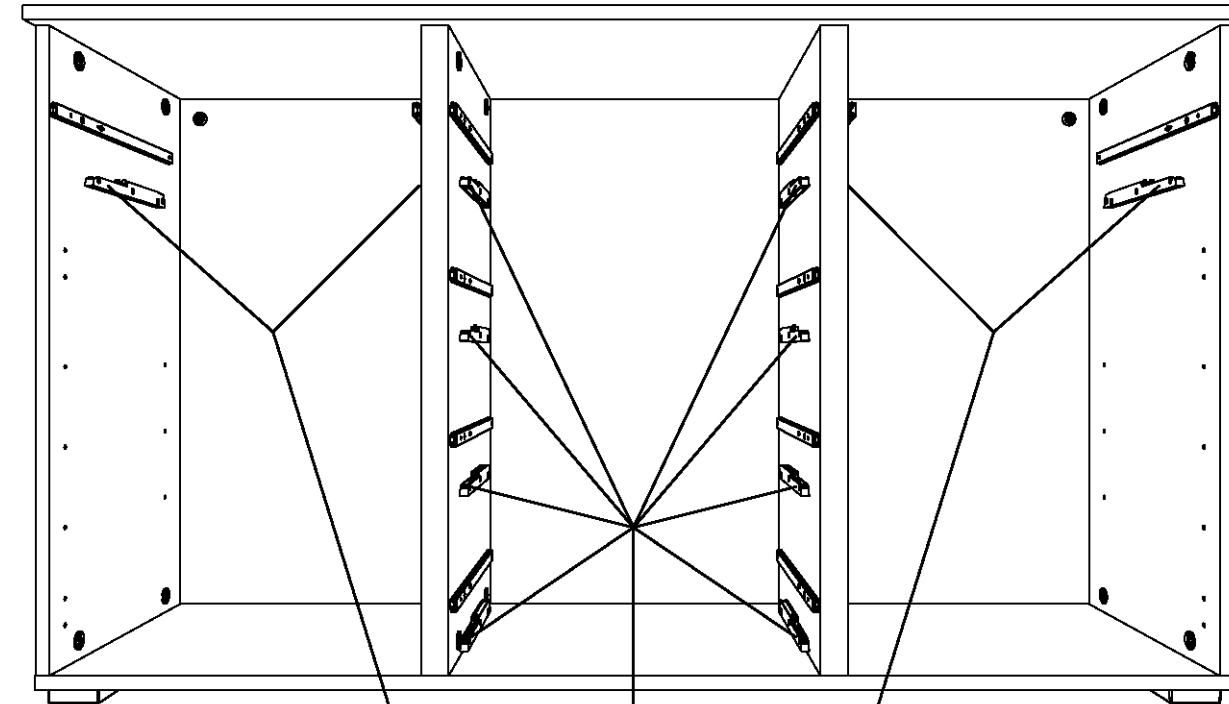
1092

1093

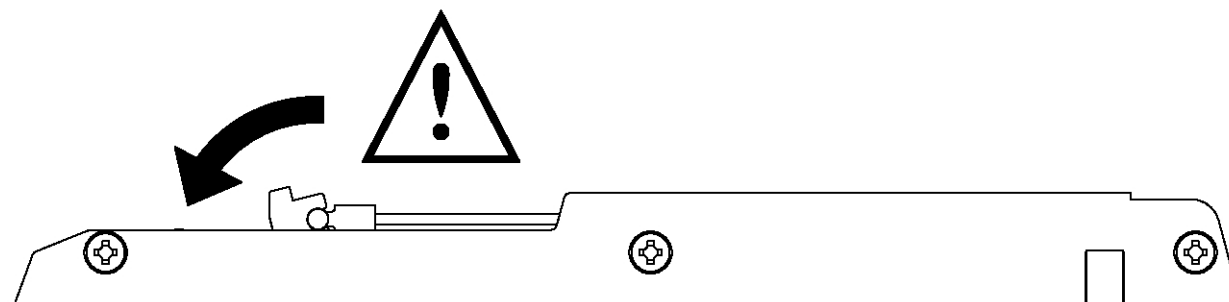
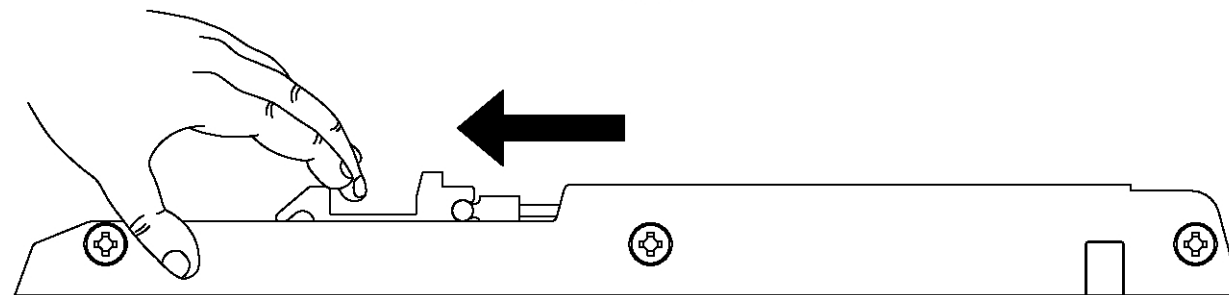
1147



37



1000



38

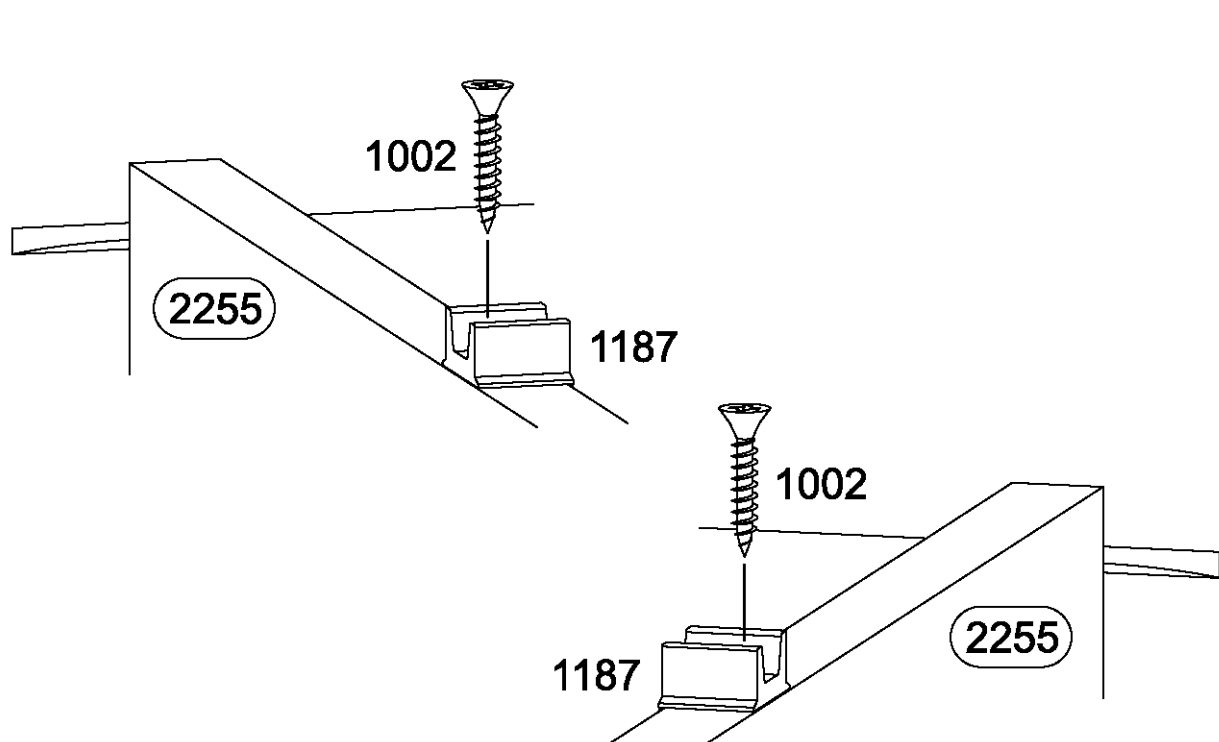
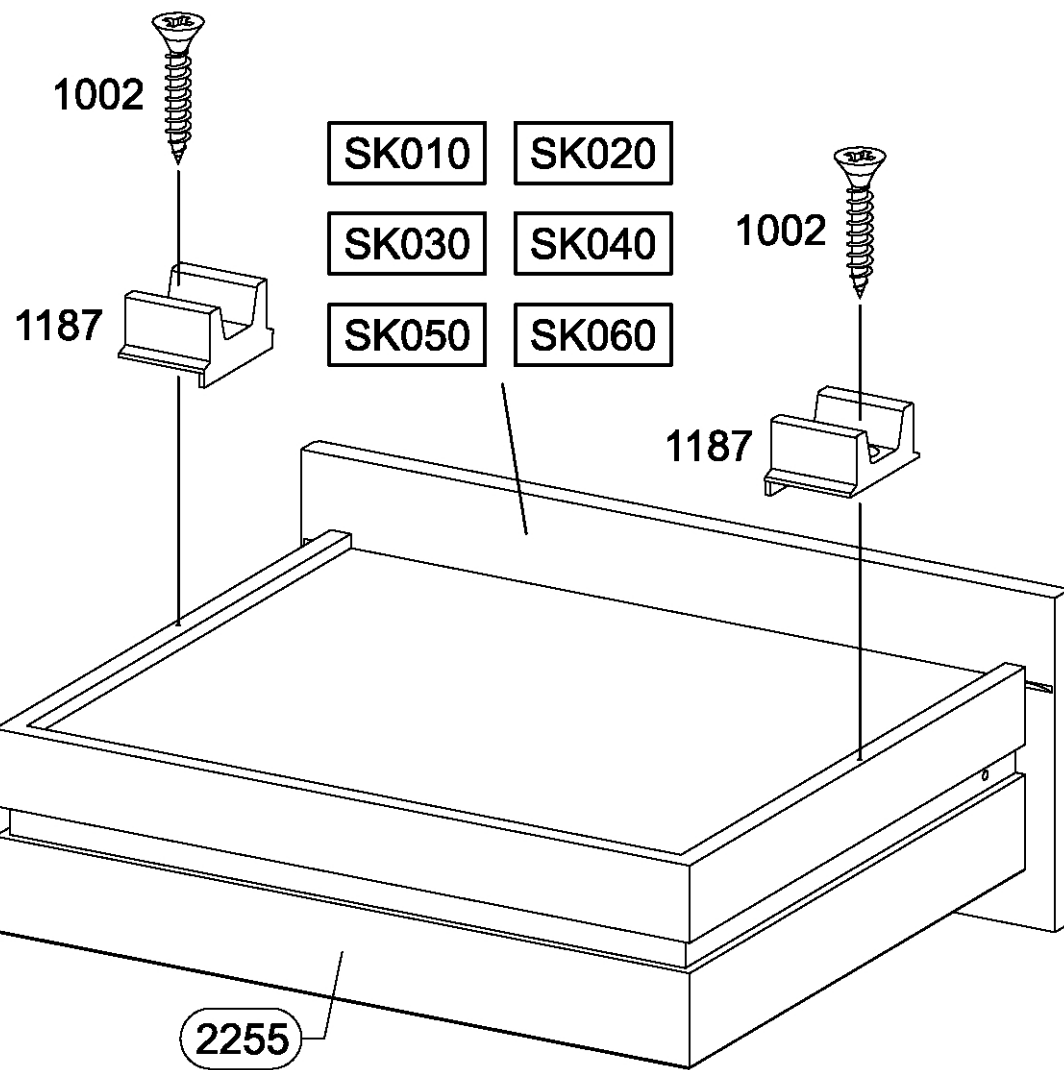
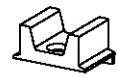
12x

1002

3,5x20

12x

1187

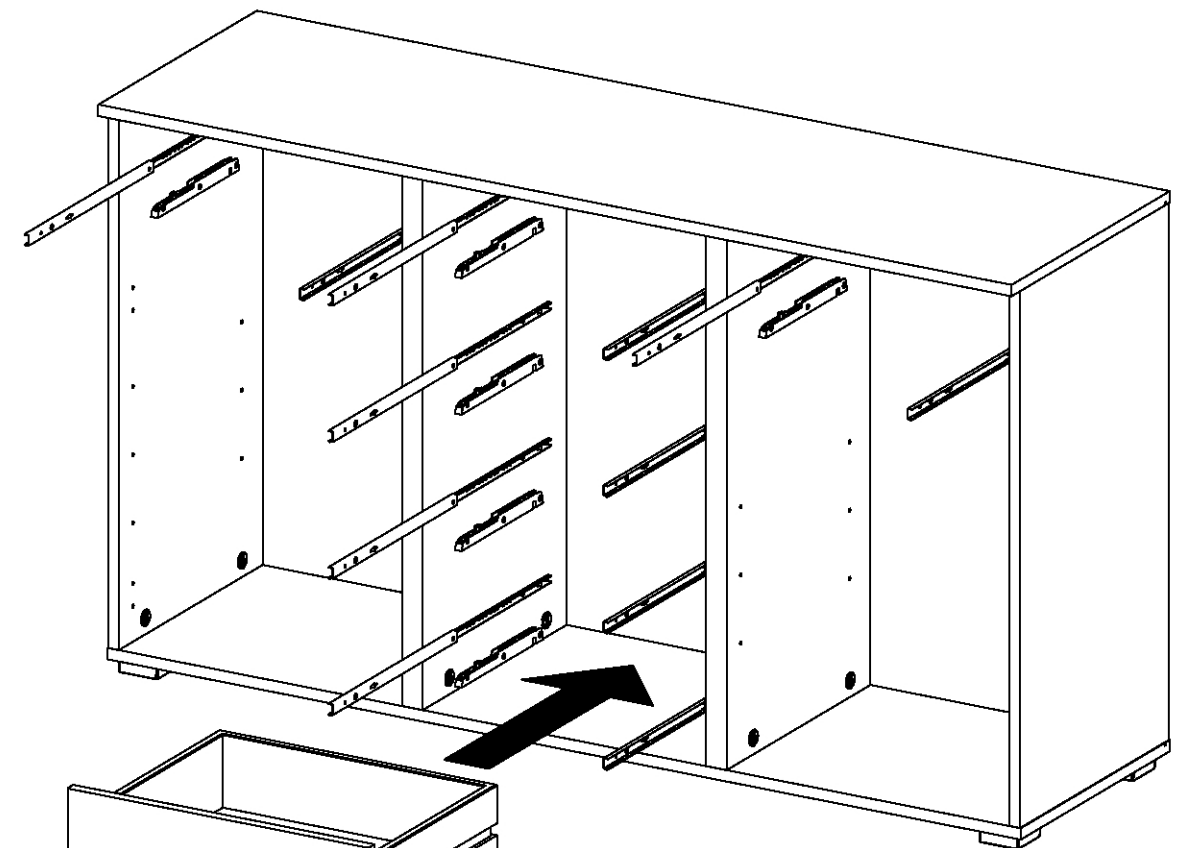
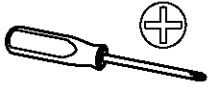


39

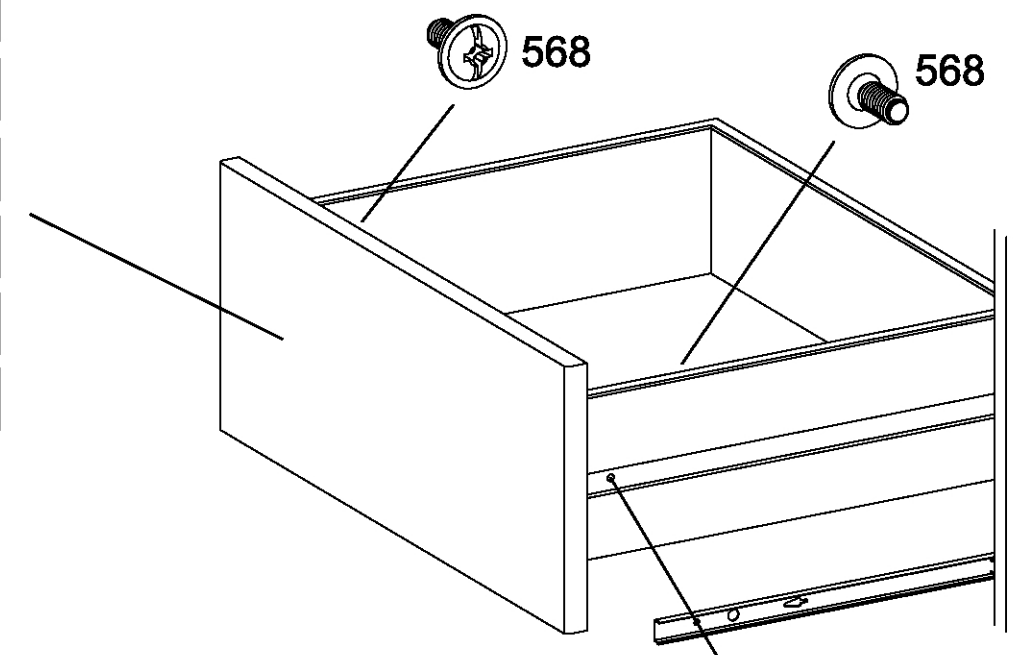
12x

568

M4x9

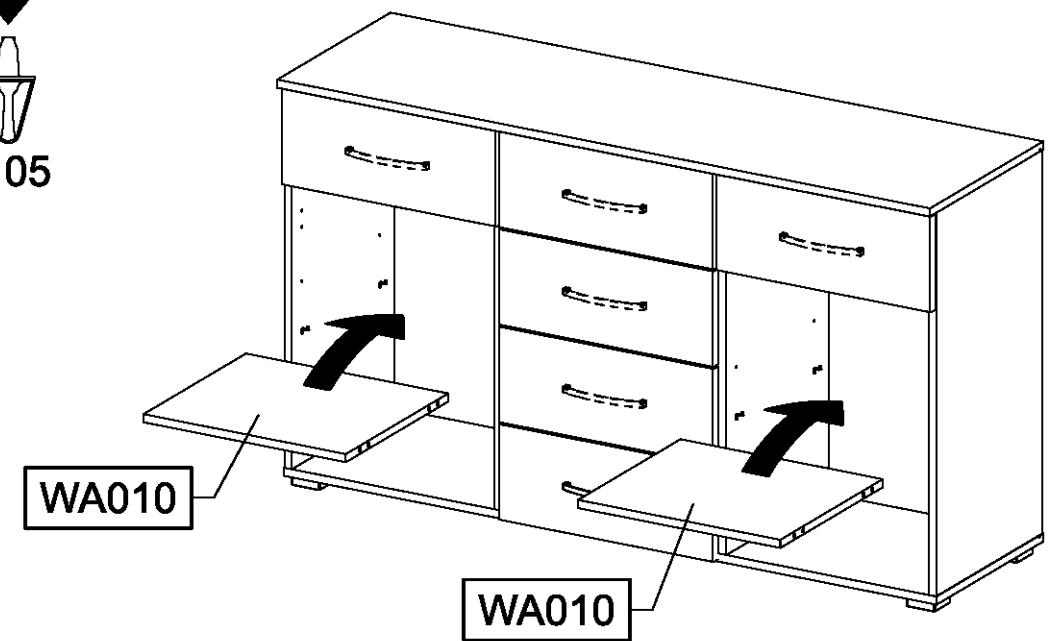
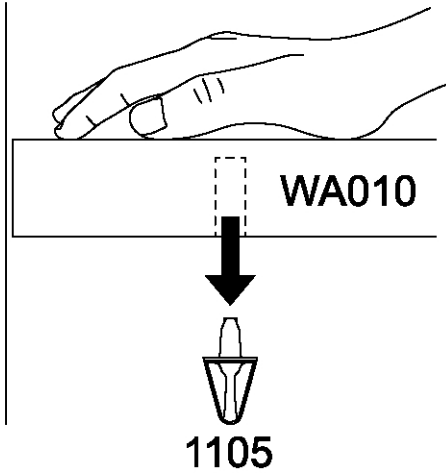
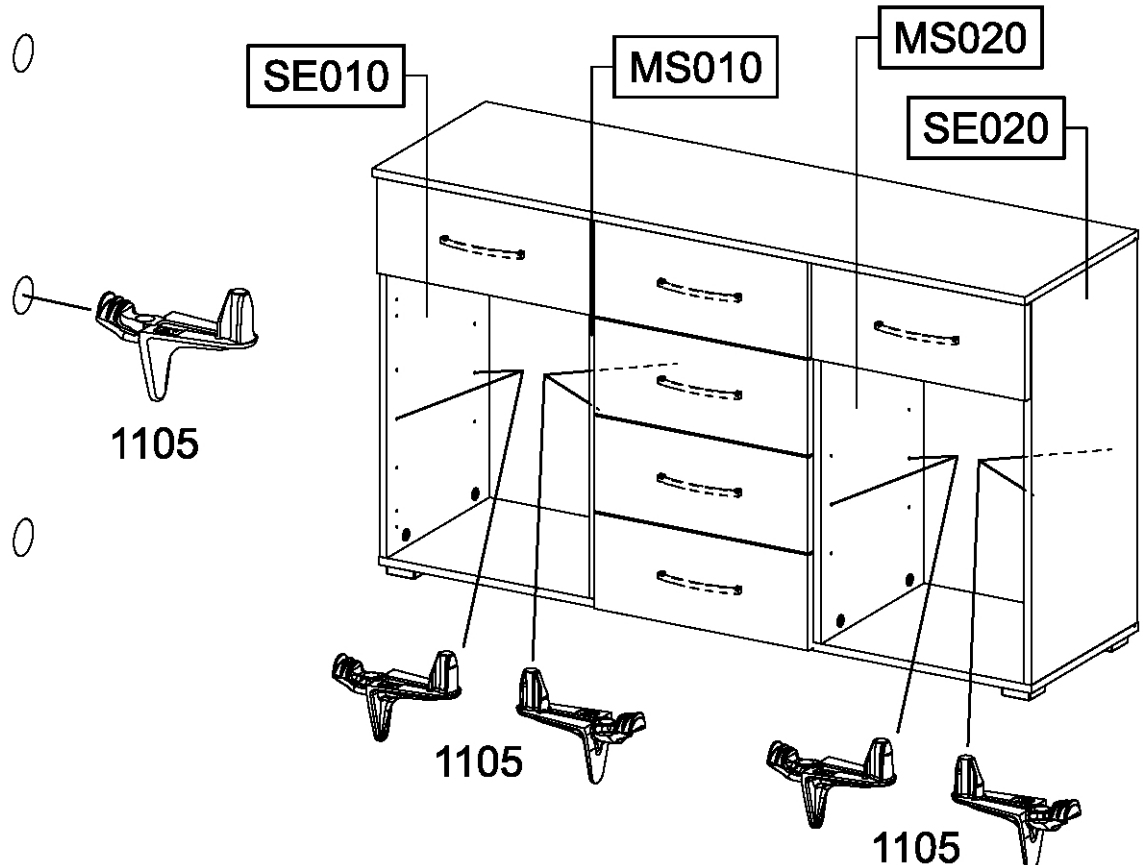
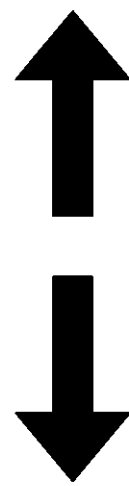


- SK010
- SK020
- SK030
- SK040
- SK050
- SK060



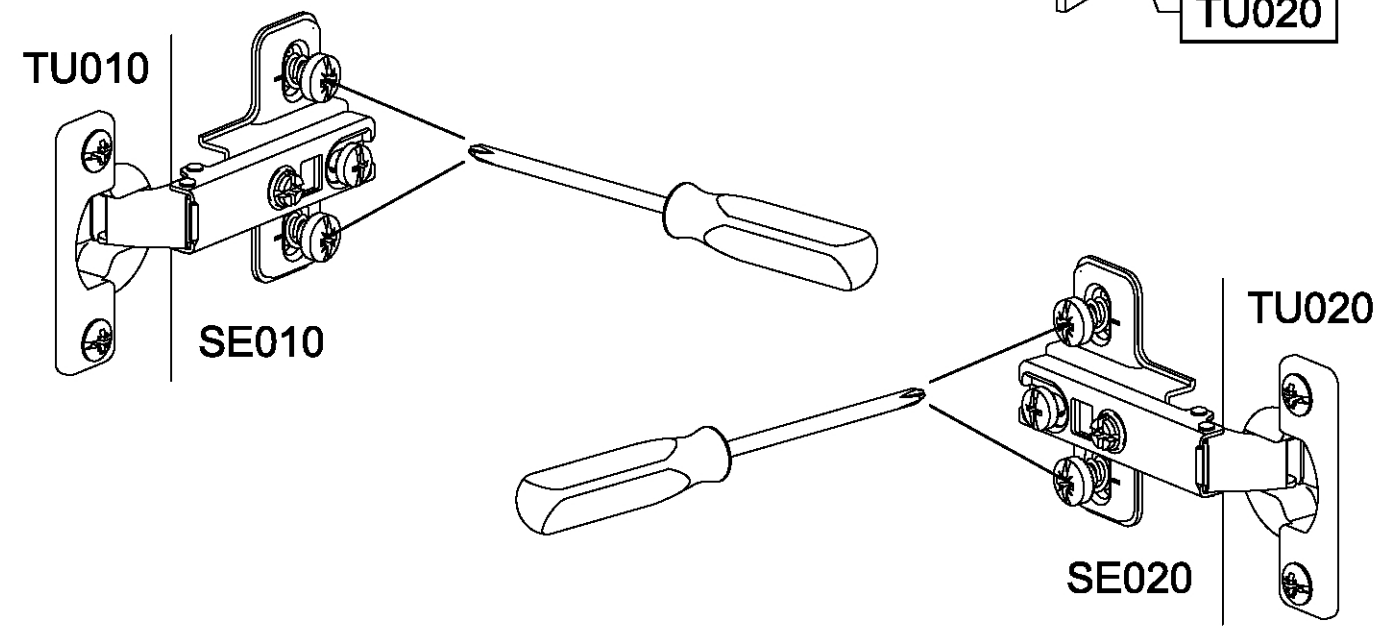
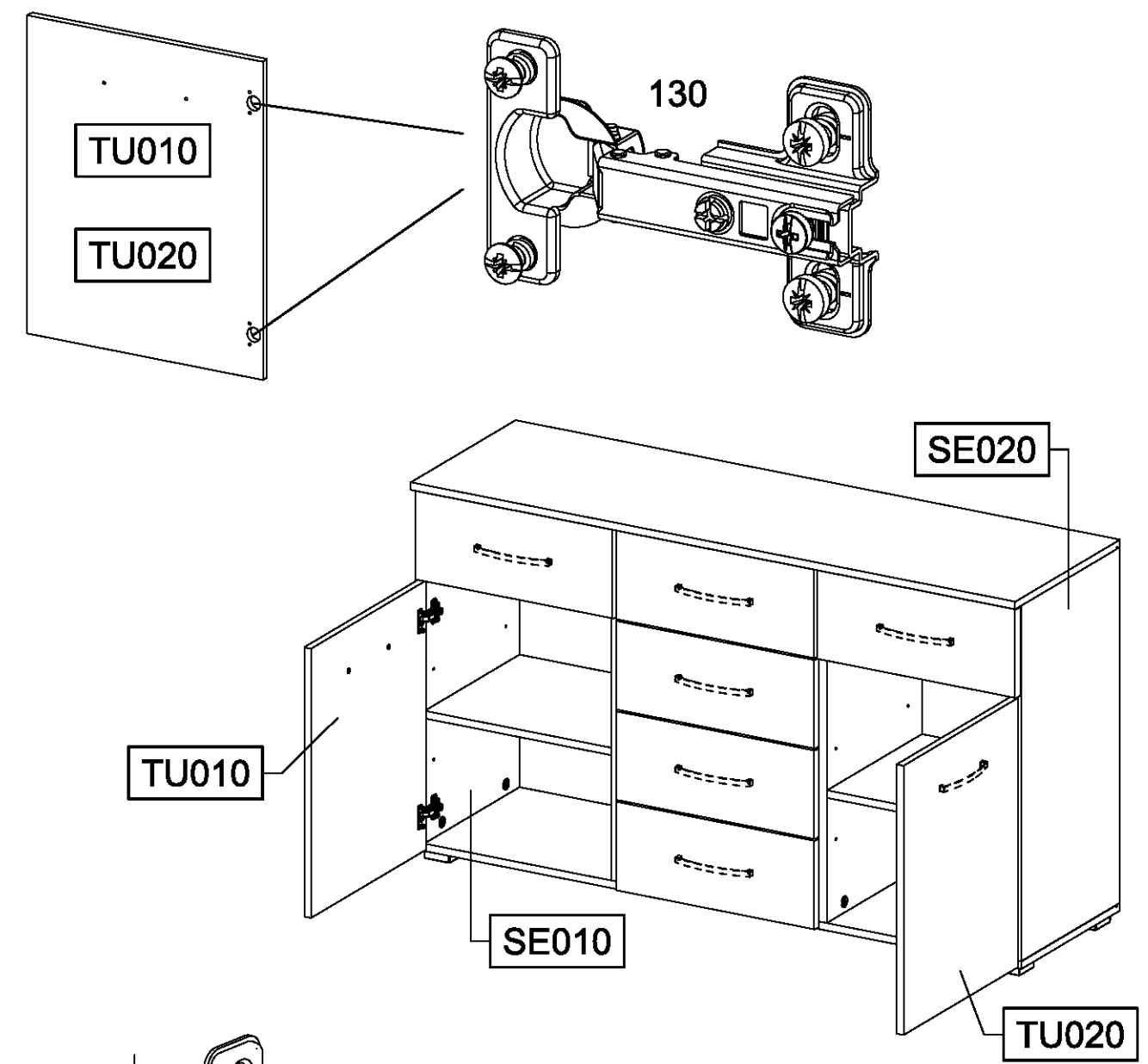
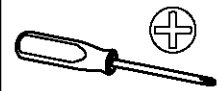
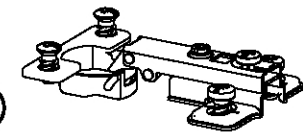
40

8x 1105



41

4x 130



42

