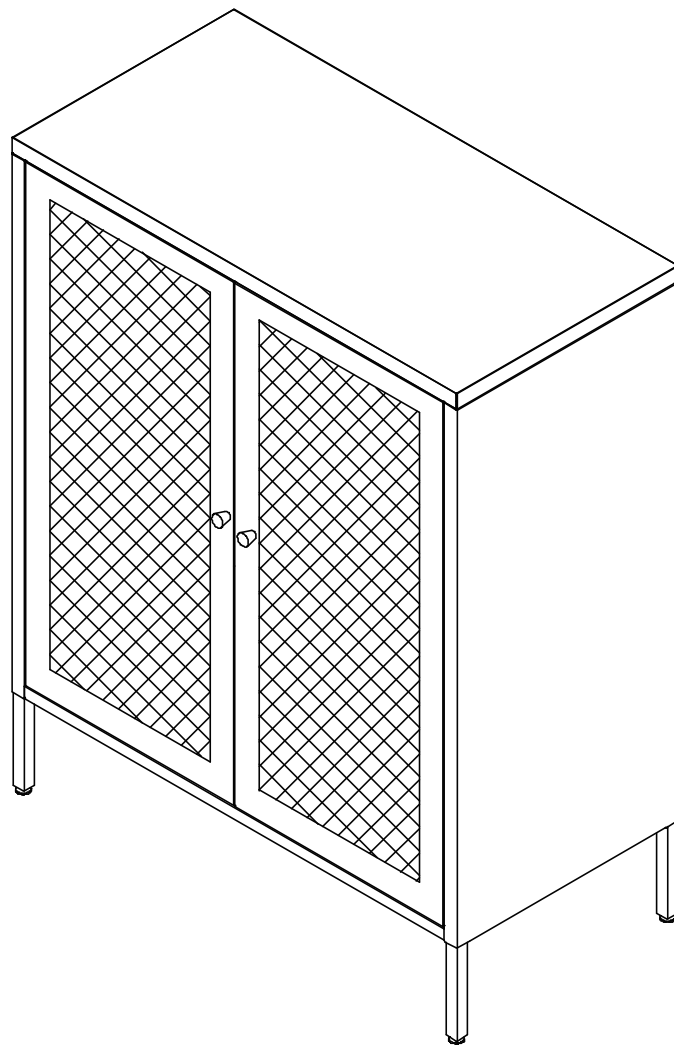


Instruction Manual



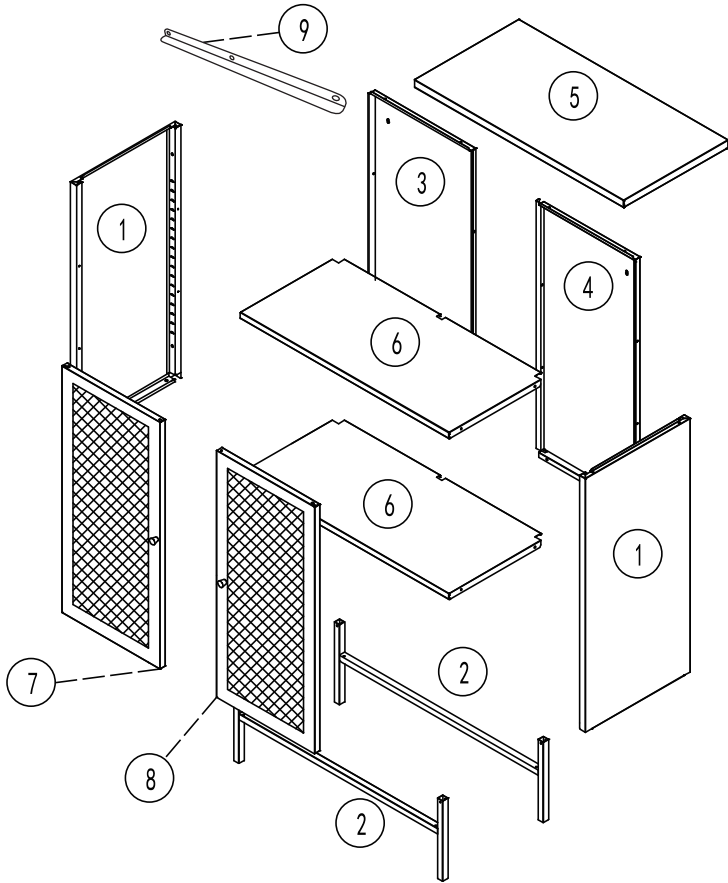
- ⚠ Thank you for choosing our products! Please take the time to read and familiarize yourself with the proper installation steps described on the following pages.
- ⚠ During the installation process of this cabinet, you need to use an electric drill, screwdriver and hammer. You need to prepare in advance. The above installation tools are not included in this product.

IMPORTANT



- Tip over hazard: secure the safety! The cabinet can be tipped over by children or adults, so we suggest that you could mount the cabinet on the wall.
- Do not move this cabinet using its handle.

Cabinet exploded view



Parts List

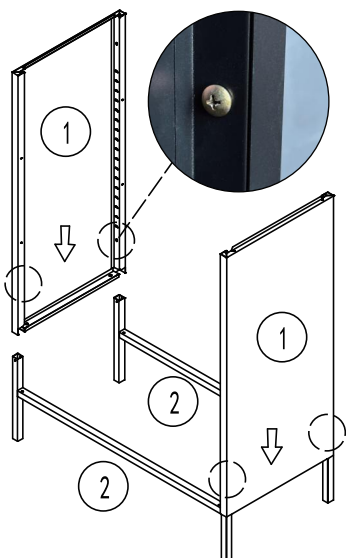
- | | | |
|--------------------|---------------------------|--------------|
| ① Side plate | ⑤ Top plate | |
| ② Feet | ⑥ Middle shelf and bottom | |
| ③ Left back plate | ⑦ Left door | |
| ④ Right back plate | ⑧ Right door | ⑨ Iron sheet |

A*2 pcs (handle)	B*3 pcs (1 for spare) (handle screw)	C*3 pcs (1 for spare) (door shaft)
D*4 pcs (door shaft gasket)	E*12 pcs (2 for spare) (self-tapping screw)	F*5 pcs (1 for spare) (shelf buckle)
G*2 pcs (expansion screw and bolt)	H*12 pcs (1 for spare) (self-tapping screw)	

Tips:

The serial number labels are attached to the inside of the parts, please distinguish the parts according to the exploded view on the left.

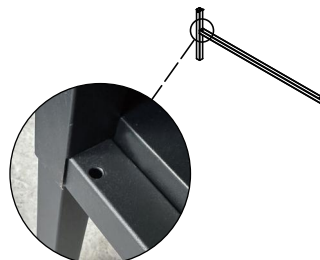
Step 1 Side panels installation



Place the two feet parallel and install the side panels on both sides.

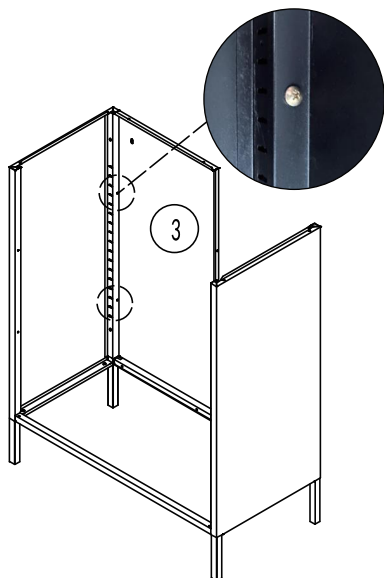
Note:

The round hole of the feet should face outward, and then fix the side panels and feet with four "E"(self-tapping screws).

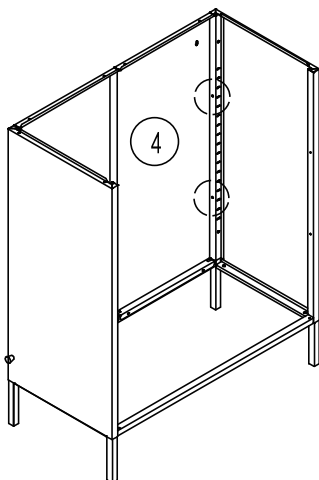


The round hole should face outward

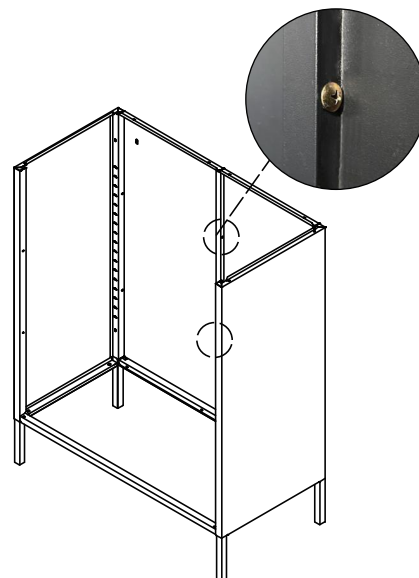
Step 2 Cabinet back installation



Connect the left back panel "3" with the side panel and fix it with two "E"(self-tapping screws).

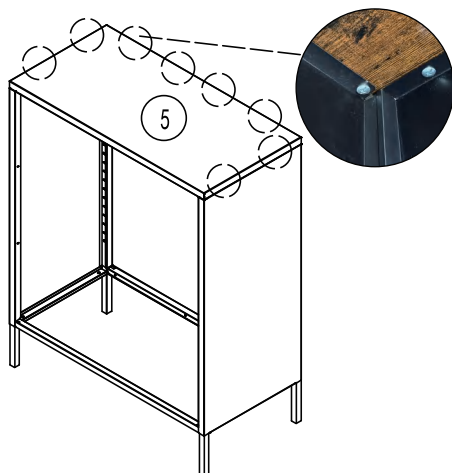


Connect the right back panel "4" with the side panel and fix it with two "E"(self-tapping screws).

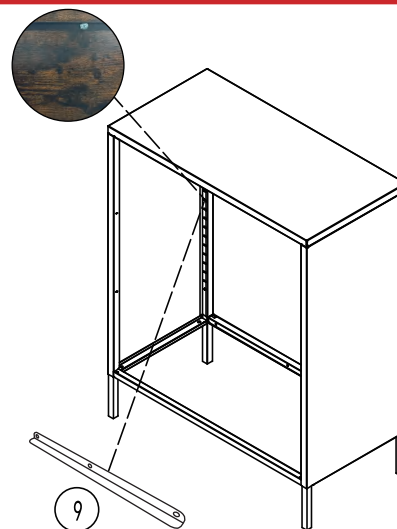


Connect the left back panel to the right back panel and fix them with two "E"(self-tapping screws).

Step 3 Top plate installation

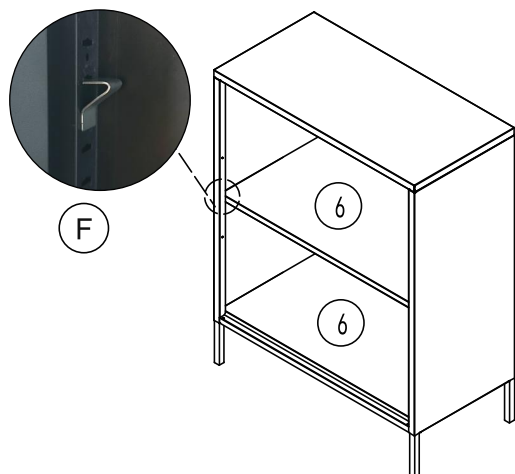


Place the top plate "5" on the top and align the screw holes, then fix the board, side and back with eight "H"(self-tapping screws).



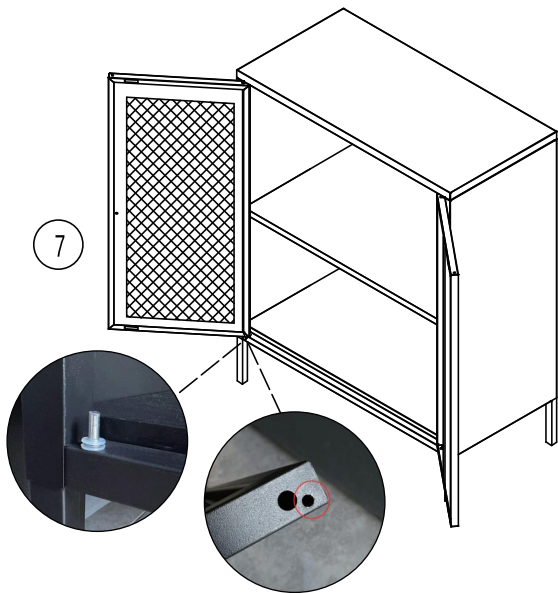
Install the iron sheet "9" with three "H" (self-tapping screws).

Step 4 Cabinet interior shelf and bottom installation



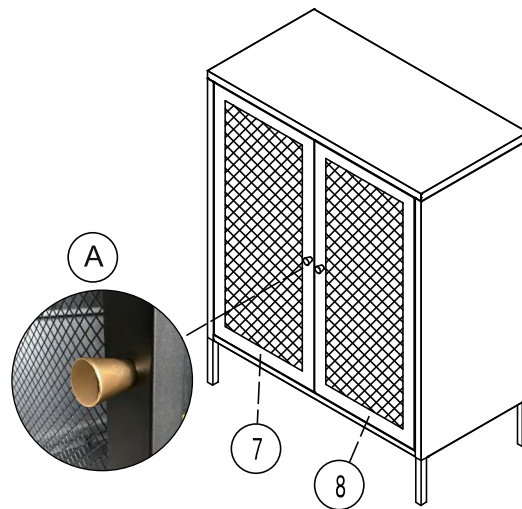
Put the bottom plate "6" in first, then install 4 shelf buckles "F", after that put the middle shelf "6" in.

Step 5 Door installation



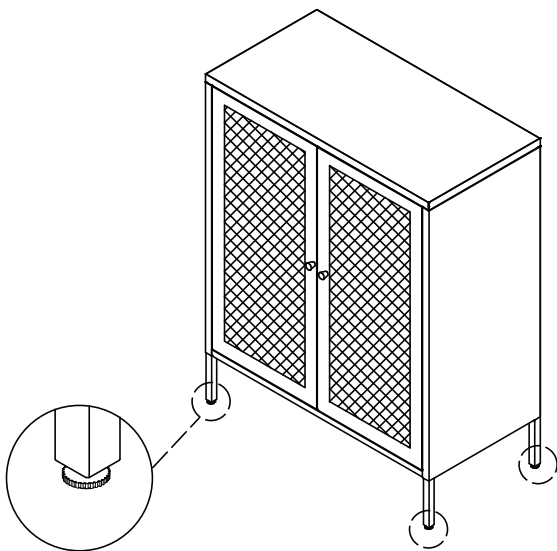
Insert the door shaft into this hole

Set 2 door shaft gaskets "D" (one on the top and one on the bottom) on 1 door shaft "C", then insert it into the round hole of the foot and install the door (the same operation for the right door).

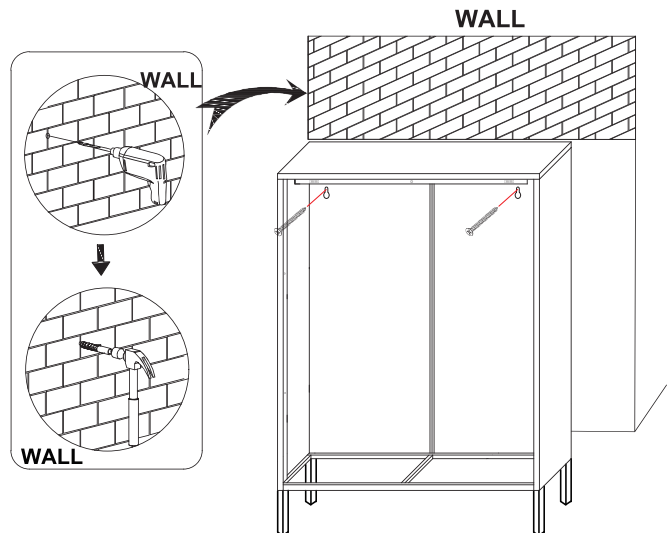


Screw the handle "A" with a handle screw "B" on each door.

Additional functions



Use the adjustment wires on the bottom of the stand to level the cabinet.



- Place the cabinet in the desired position, mark the drilling points on the wall from the mounting holes inside the cabinet, then remove the cabinet and drill holes.
- Use a hammer to drive the expansion bolts(G*2 pcs) into the drilled holes, and then place the cabinet so that the mounting holes are aligned with the drilled holes.
- Screw the expansion screws(G*2 pcs) into the drilled hole.