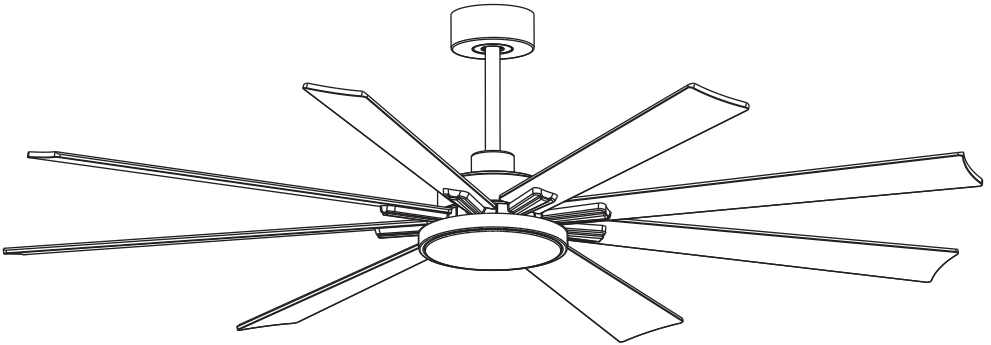


# Ceiling Fan

## Installation Instructions



### THANK YOU

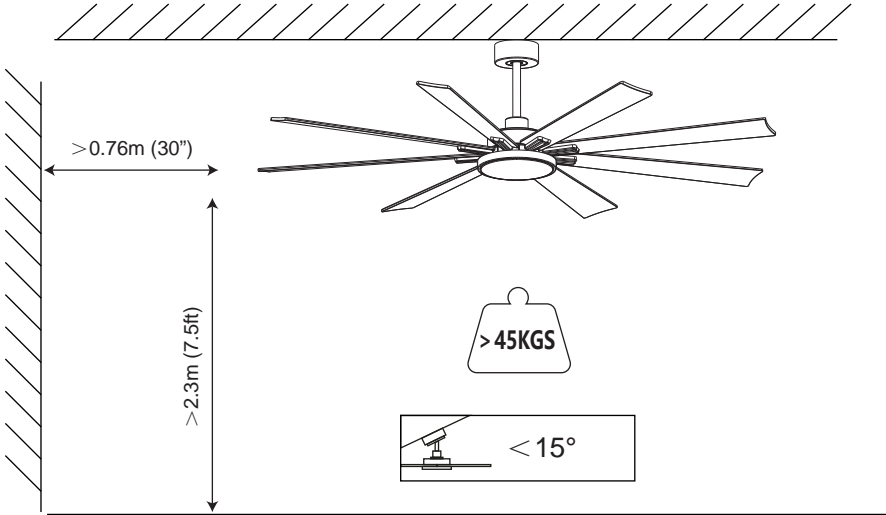
We appreciate the trust and confidence you have placed in us through the purchase of this ceiling fan. We strive to continually create quality products designed to enhance your home. Thank you for choosing us!

---

Visit [www.pmwfan.com](http://www.pmwfan.com) for further assistance.

## DIMENSIONS

- First, check the room size, and then ensure there is at least 30 inches (76 centimeters) of clearance or space between the fan and any walls or other obstacles that the fan blades might hit to optimize airflow. After installation, please verify blades are at least 7.5 feet (2.3 meters) above the ground.



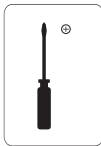
## TOOLS REQUIRED



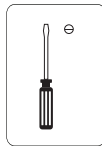
Step  
ladder



pliers



Phillips  
screwdriver



Flat blade  
screwdriver



Electrical  
tape

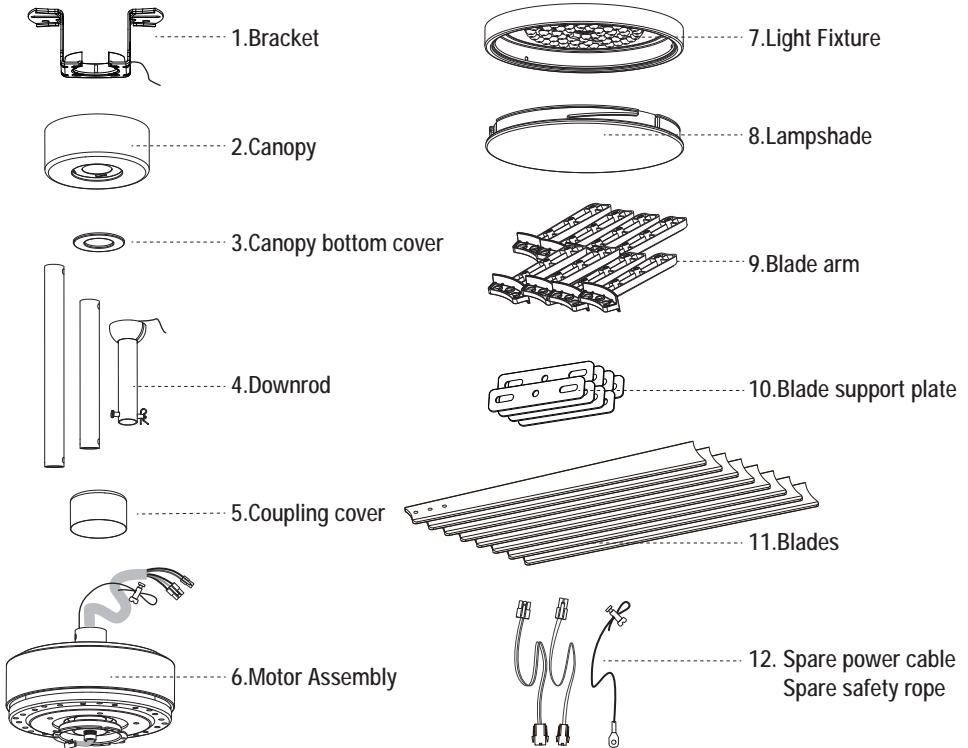


tape  
measure

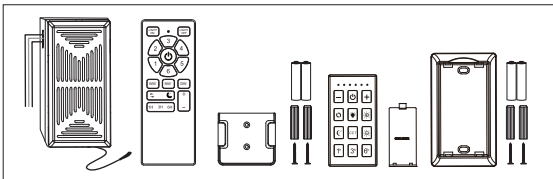
# PACKING LIST



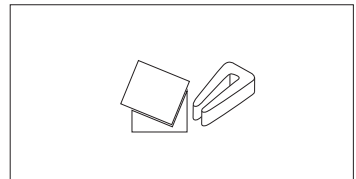
Before unpacking the fan, please check that all parts are included , as listed below:



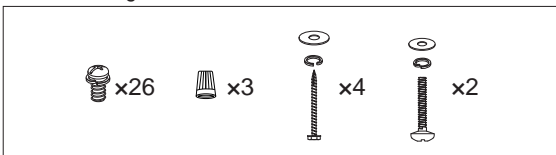
## Remote control unit



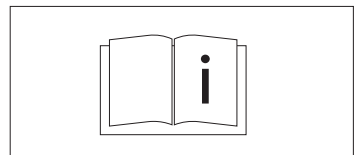
## Blade balance kit



## Hardware bag



## Installation manual



• Note: The illustrations in this manual are for explanatory purposes only and may not correspond to actual units.

# Ceiling Fan

Questions, problems, missing parts? Before returning to the store,  
visit [www.pmwfan.com](http://www.pmwfan.com) for further assistance.

Retain this manual for future use.

**Manufacturer:** Zhongshan Miaowang Electrical Appliance Co., Ltd.

**Address:** Building C, No.10, Qingfu Road, Henglan Town, Zhongshan City, Guangdong Province,CN

**Website:** [www.pmwfan.com](http://www.pmwfan.com)

**Tech Support Telephone:** +12092272409

**Tech Support Email Address:** [support@pmwfan.com](mailto:support@pmwfan.com)