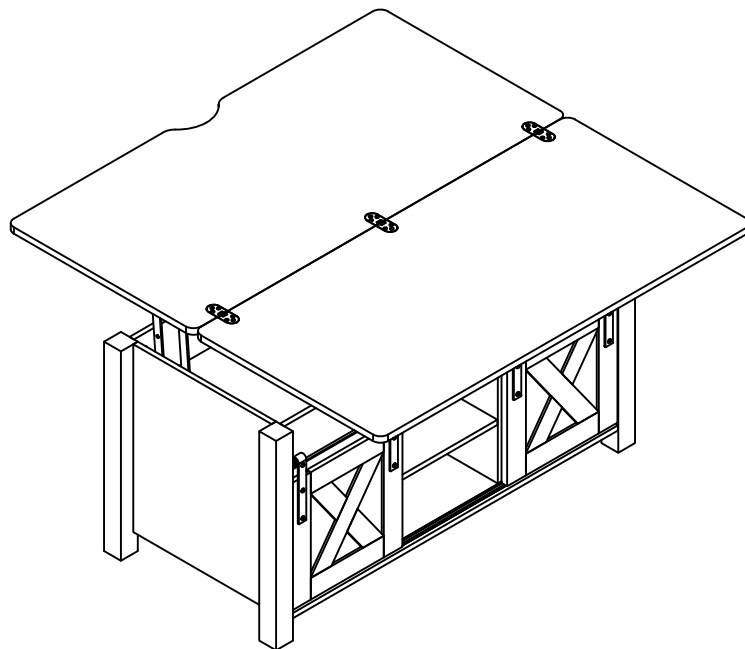
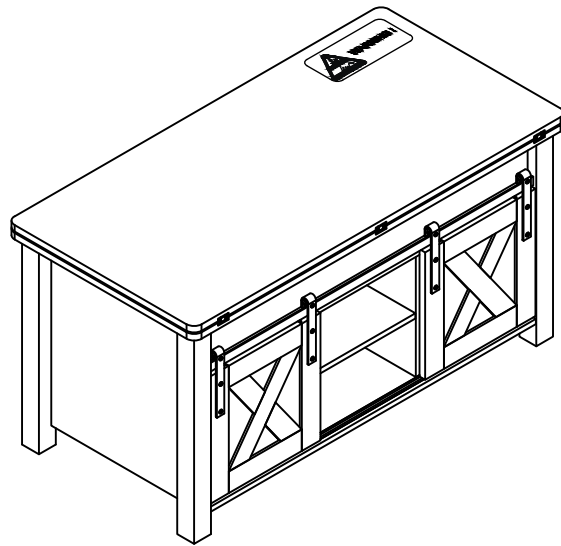


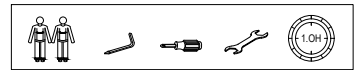
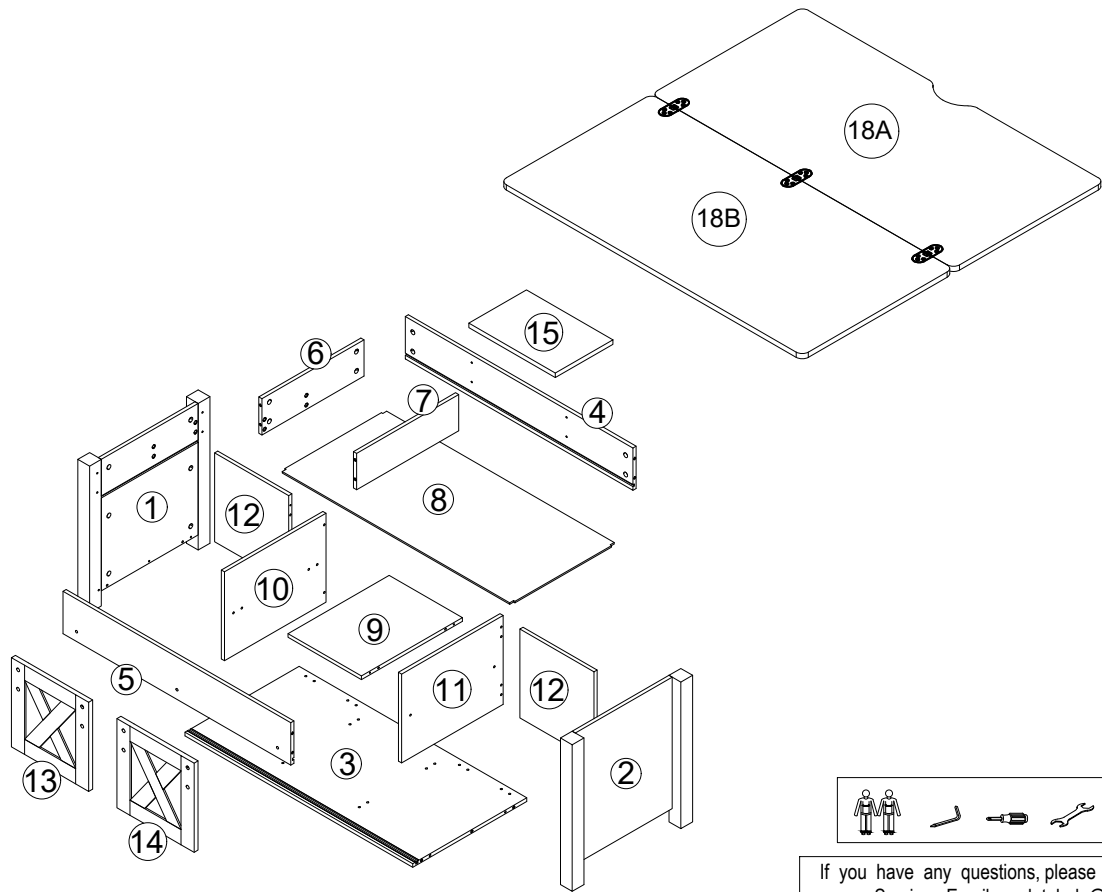
Coffee table



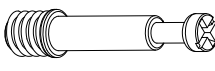
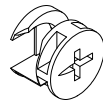

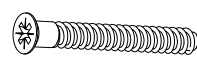
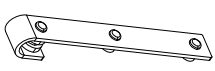
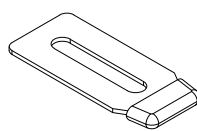


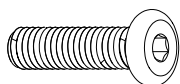

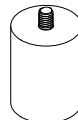
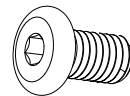
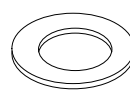
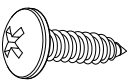
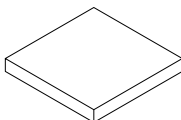
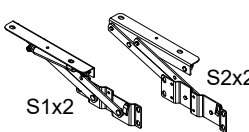
GAUTION: When tightening the screws , tighten sequentially.
Do not tighten any screws fully and then towards the next one.
When every part is OK , then tighten all the screws.

DJ503122
version :1.1

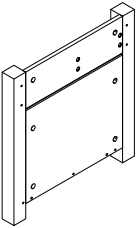
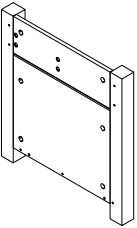
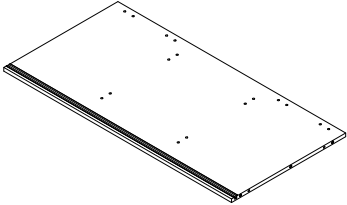
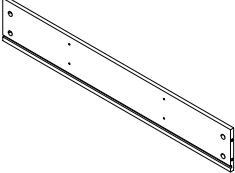
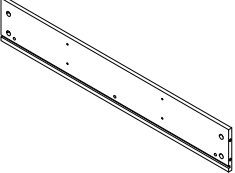
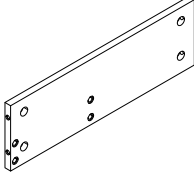
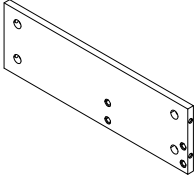
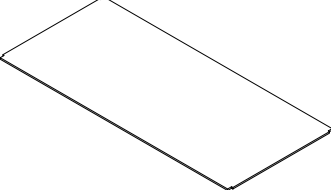
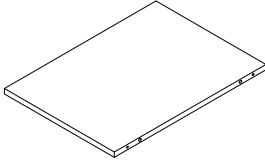
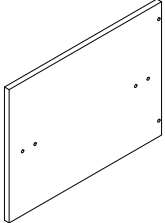
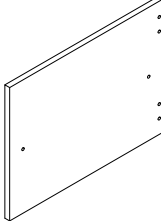
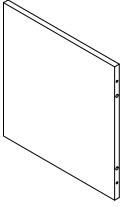
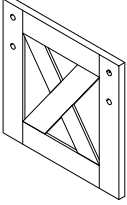
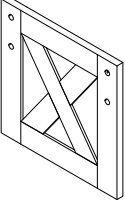
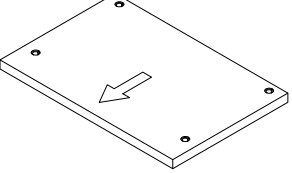
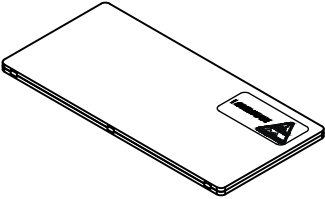
ASSEMBLY INSTRUCTIONS



If you have any questions, please contact us
Service Email: :sedetahelp@gmail.com

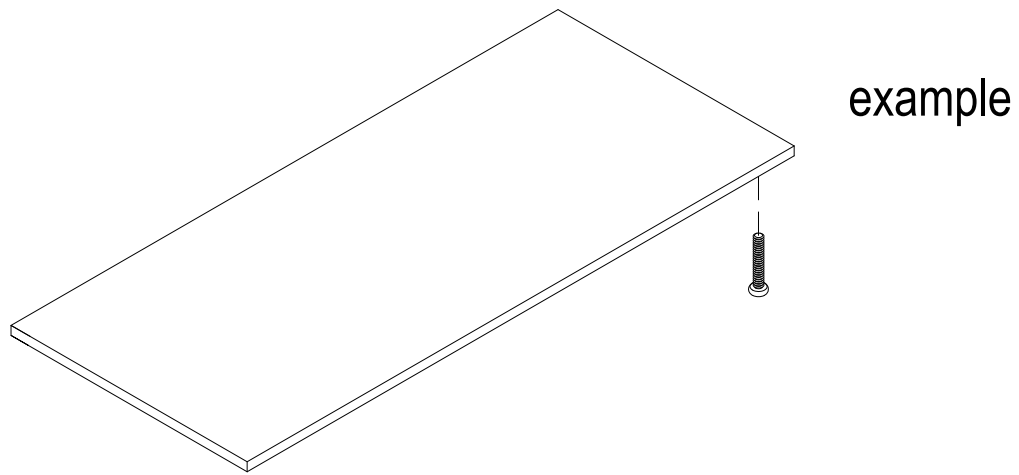
A x22+1  Ø6 x35mm	B x22+1  Ø15 x9mm	C x20+1  Ø6 x30mm	D x16+1  Ø5 x38mm	
F x4 	G x4 		J x1 	K x1 
L x3  M6 x22mm	M x1 	N x1 	O x32+1  M6 x10mm	P x8+1 
Q x8+1  Ø8 xØ4x14mm	R x4 	S x2  S1x2 S2x2		

ASSEMBLY INSTRUCTIONS

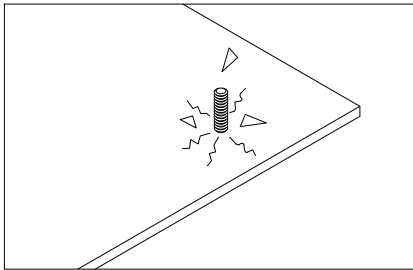
<p>①</p>  <p>x1</p>	<p>②</p>  <p>x1</p>	<p>③</p>  <p>x1</p>
<p>④</p>  <p>x1</p>	<p>⑤</p>  <p>x1</p>	<p>⑥</p>  <p>x1</p>
<p>⑦</p>  <p>x1</p>	<p>⑧</p>  <p>x1</p>	<p>⑨</p>  <p>x1</p>
<p>⑩</p>  <p>x1</p>	<p>⑪</p>  <p>x1</p>	<p>⑫</p>  <p>x2</p>
<p>⑬</p>  <p>x1</p>	<p>⑭</p>  <p>x1</p>	<p>⑮</p>  <p>x1</p>
<p>⑱</p>  <p>x1</p>		

INSTALLATION INSTRUCTION

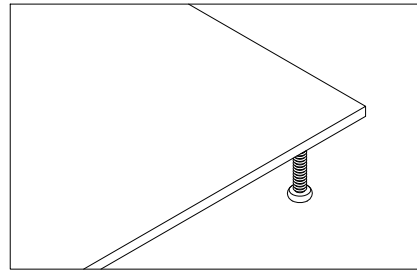
Matters needing attention



Be sure to use the proper screws to avoid damaging the planks



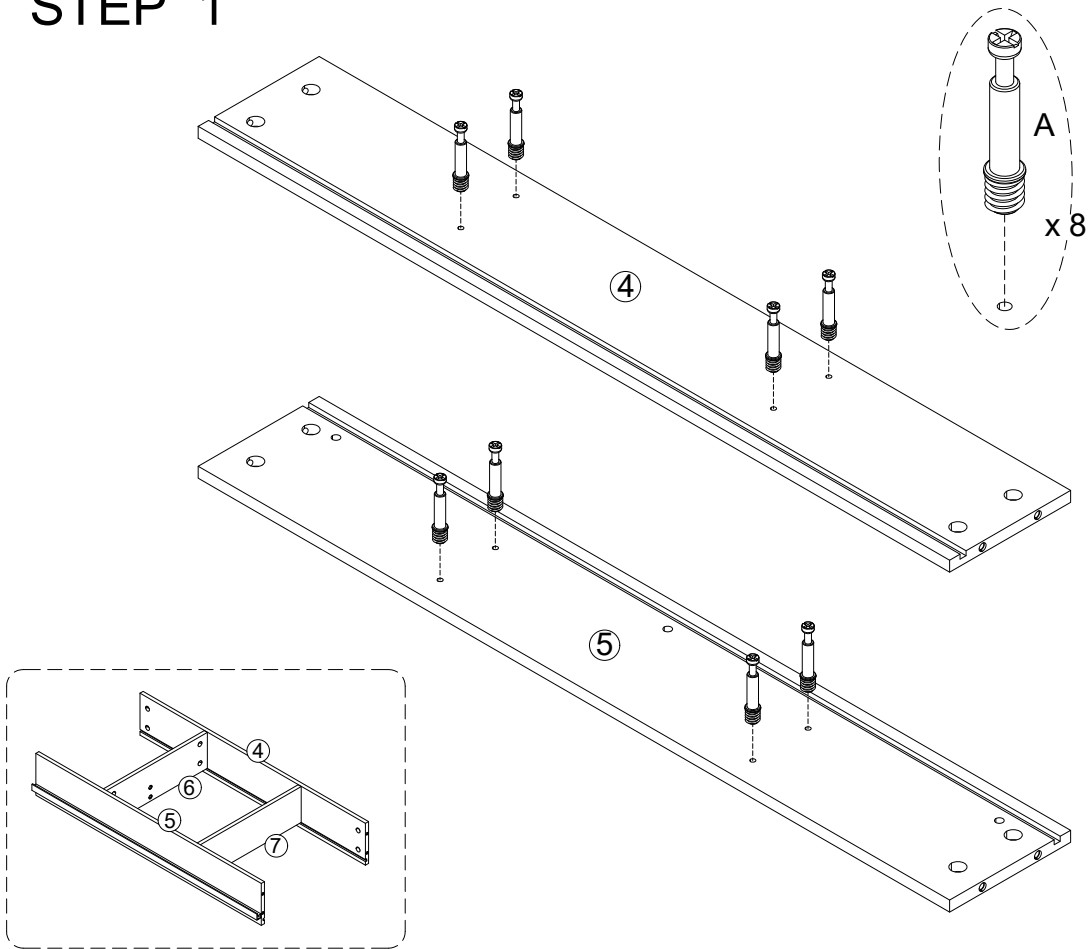
Wrong screws can cause the plank to crack



The right screw is the right size

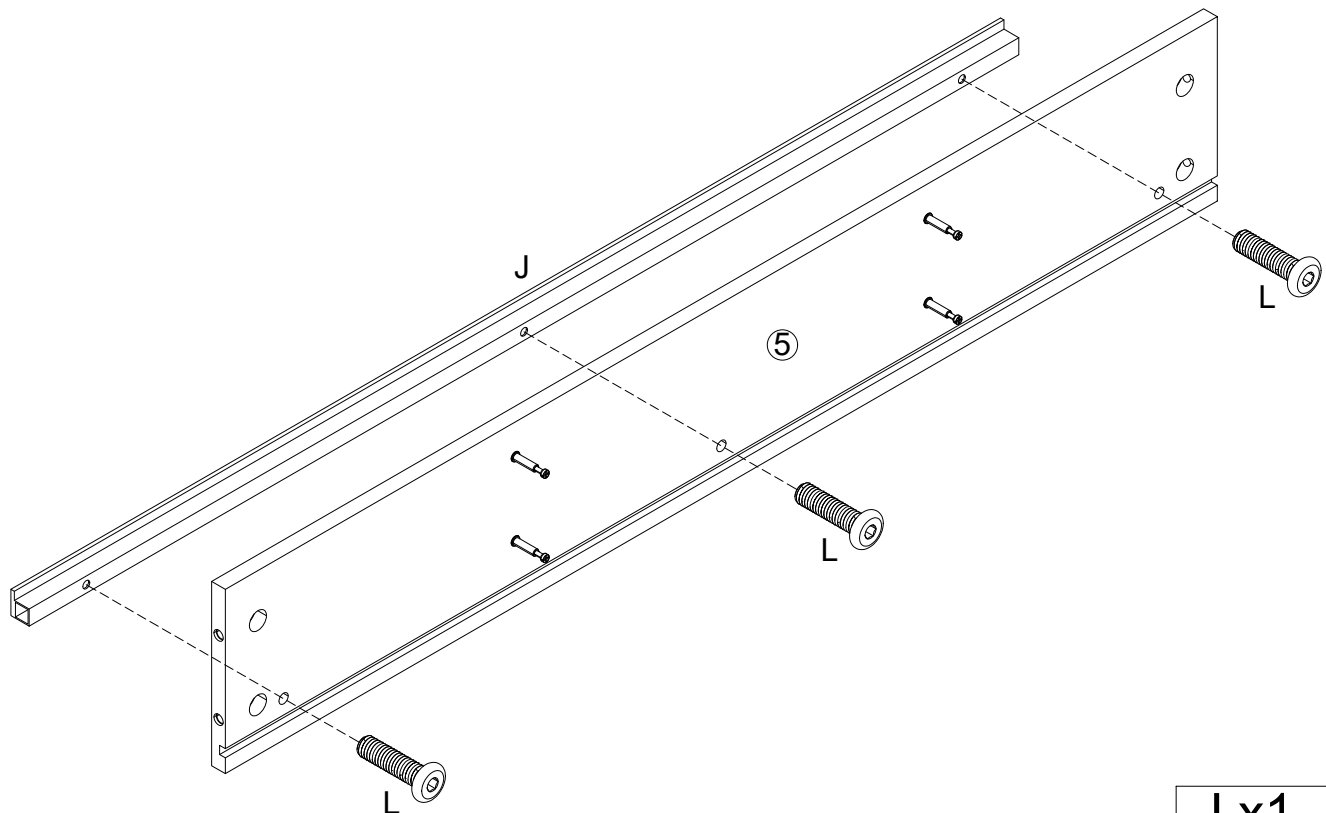
INSTALLATION INSTRUCTION

STEP 1



A x8 pcs

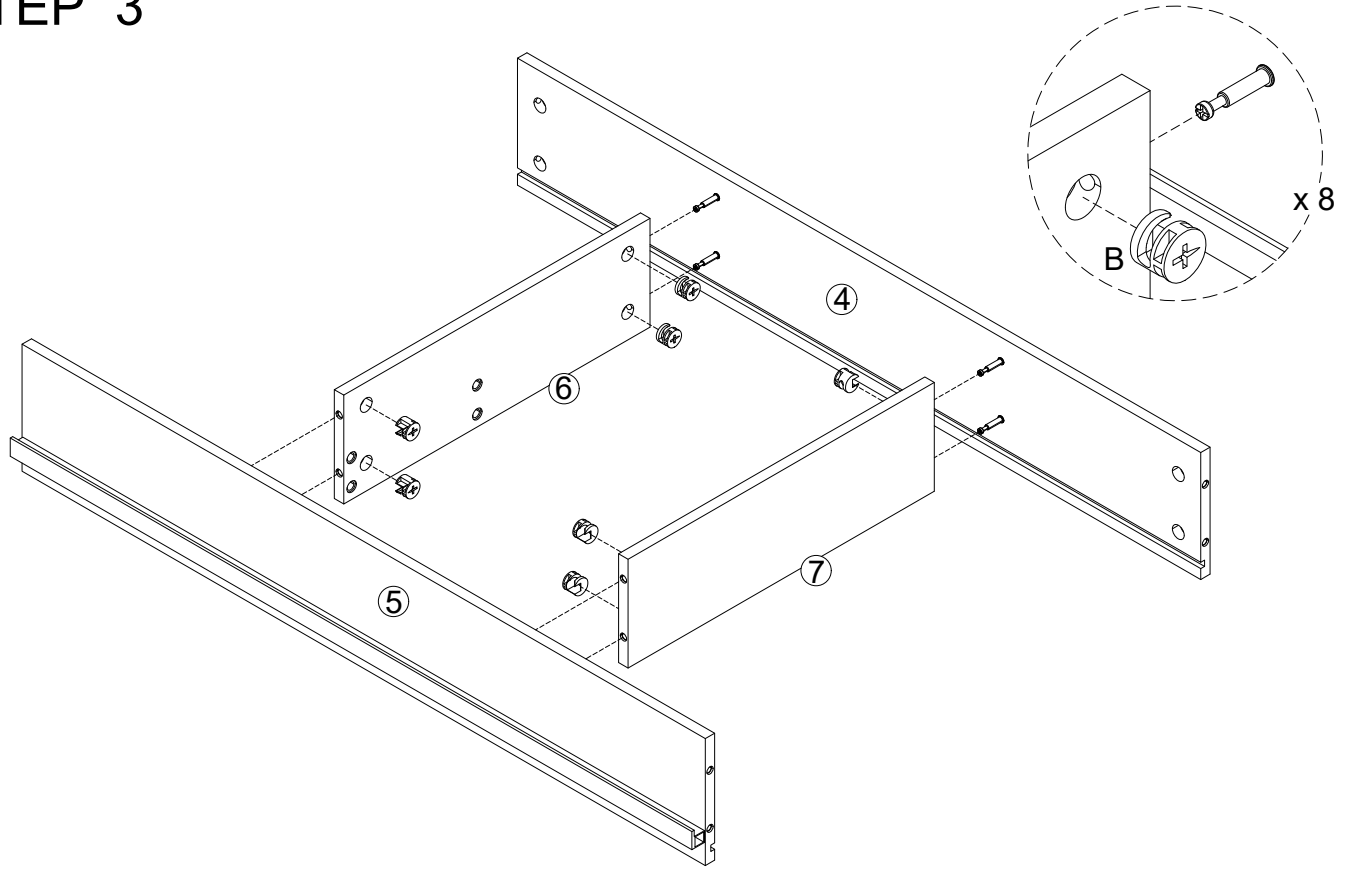
STEP 2



J x1 pc
L x3 pcs

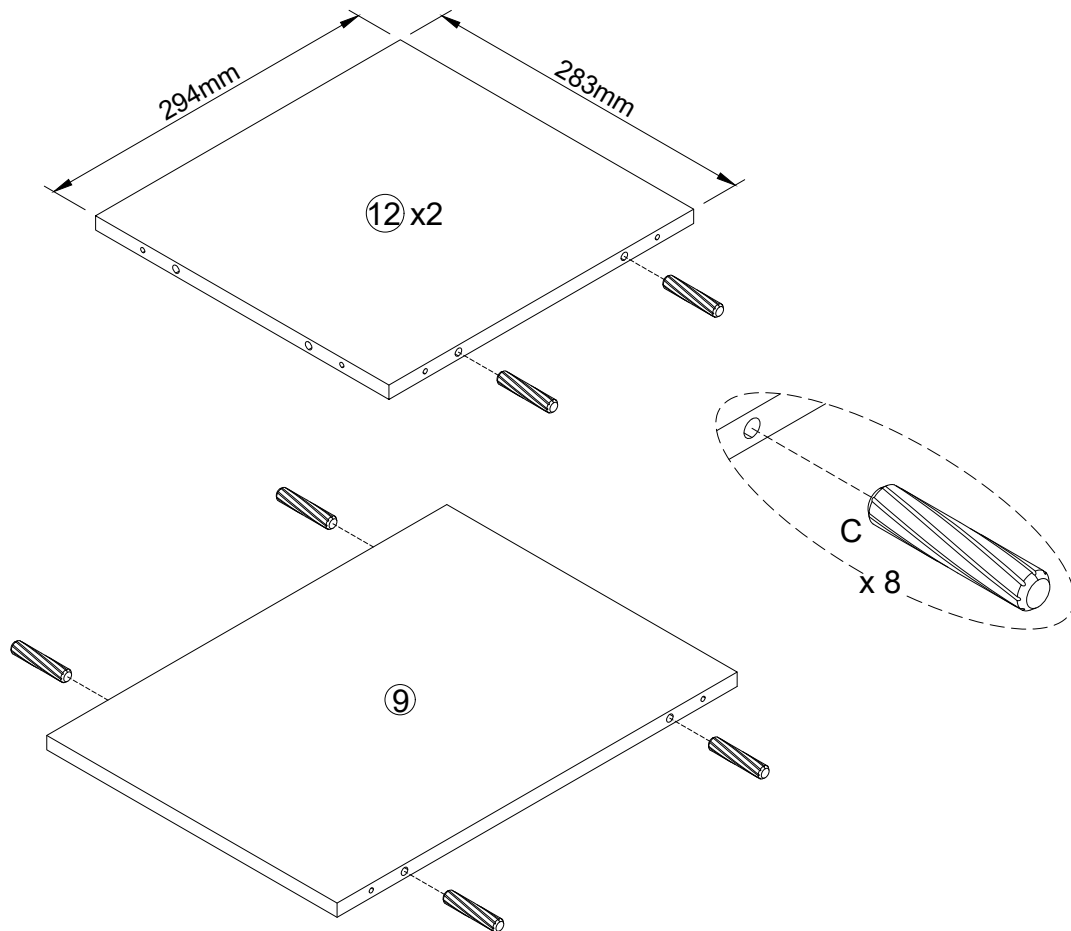
INSTALLATION INSTRUCTION

STEP 3



B x8 pcs

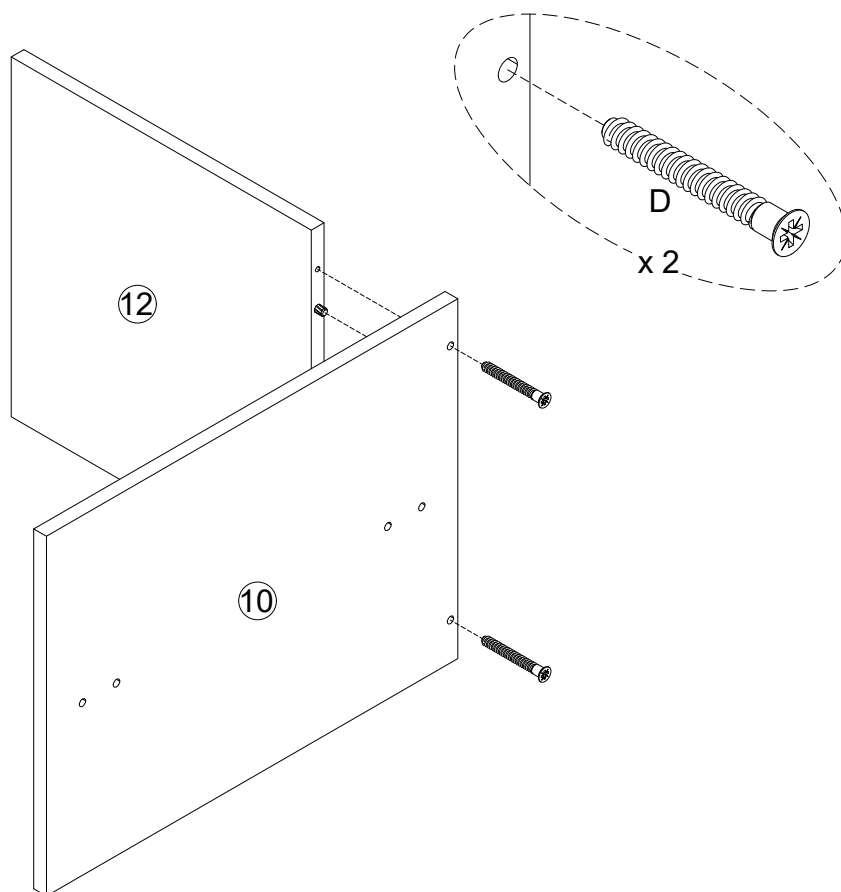
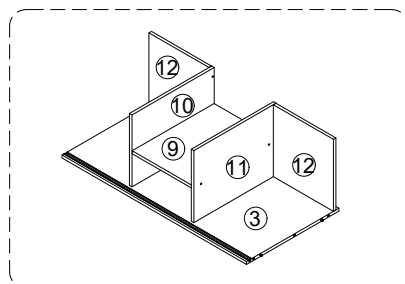
STEP 4



C x8 pcs

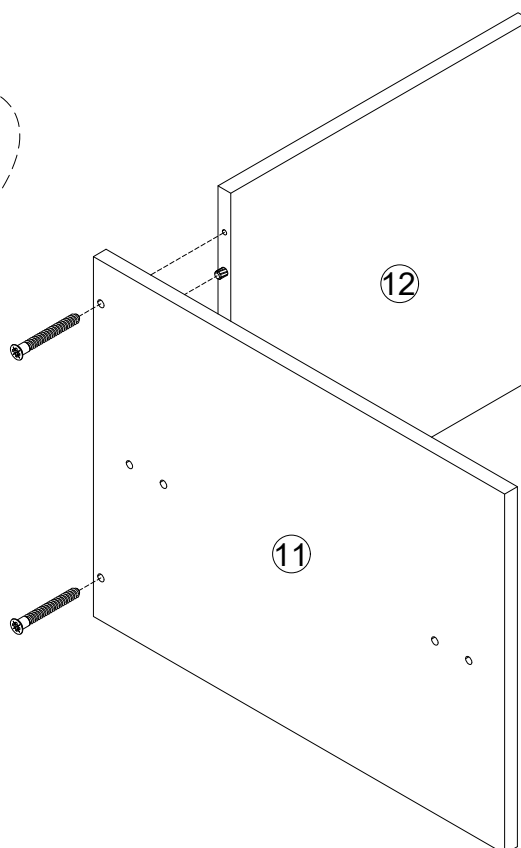
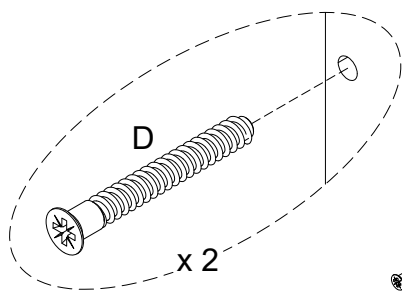
INSTALLATION INSTRUCTION

STEP 5



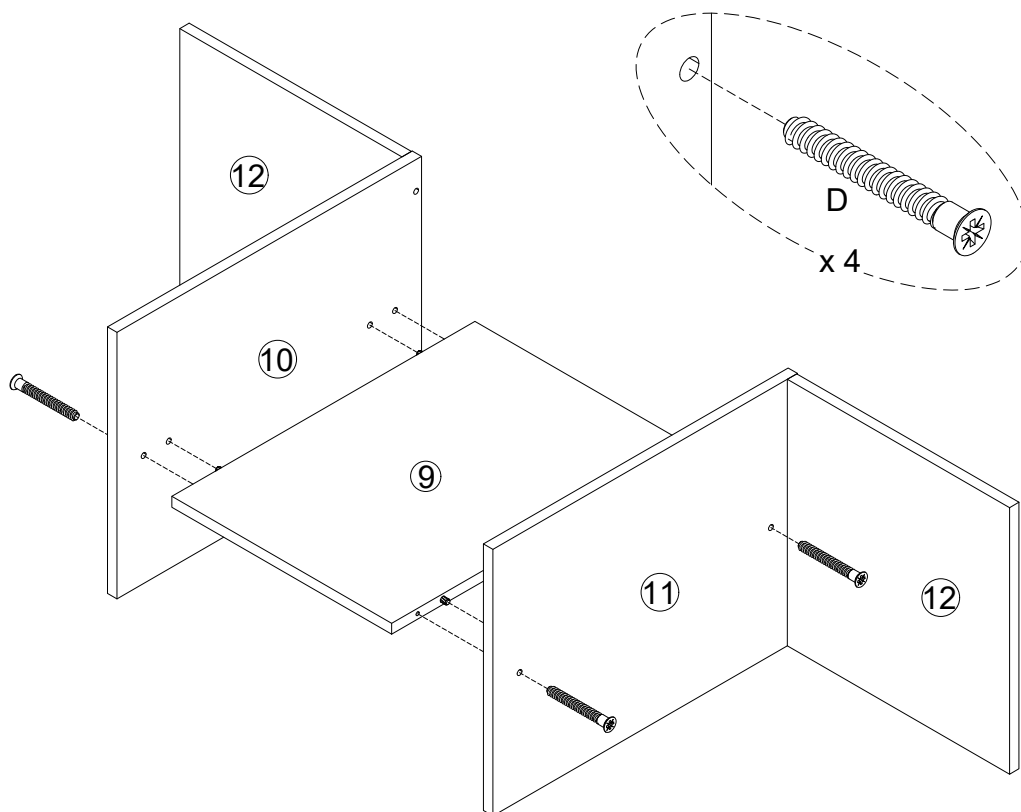
D x2 pcs

STEP 6



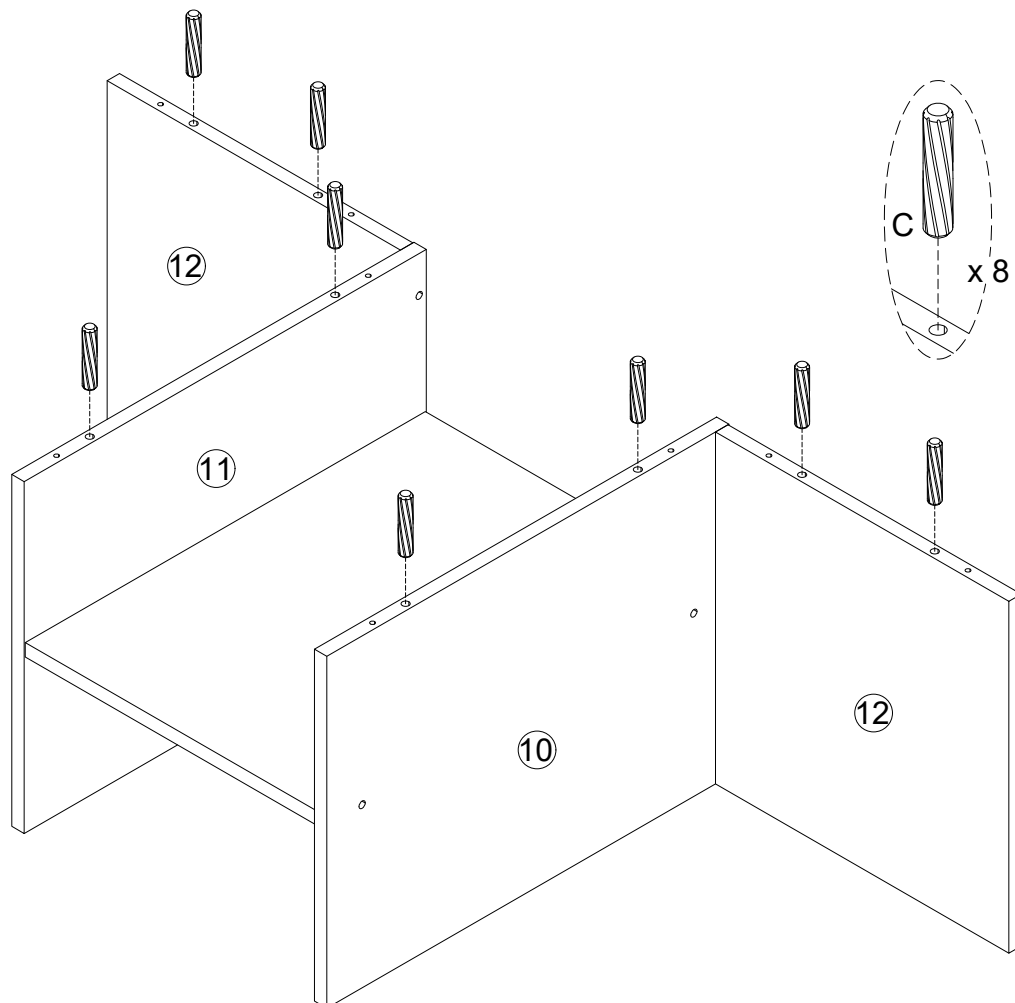
D x2 pcs

STEP 7



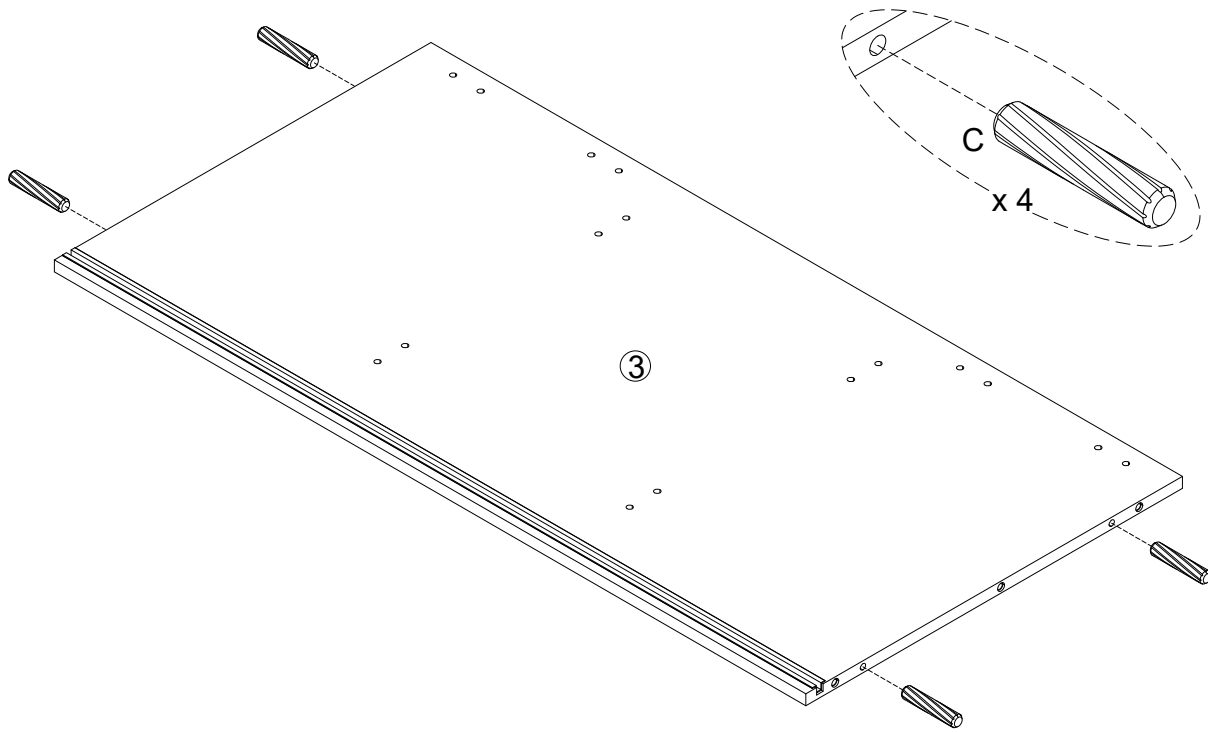
D x4 pcs

STEP 8



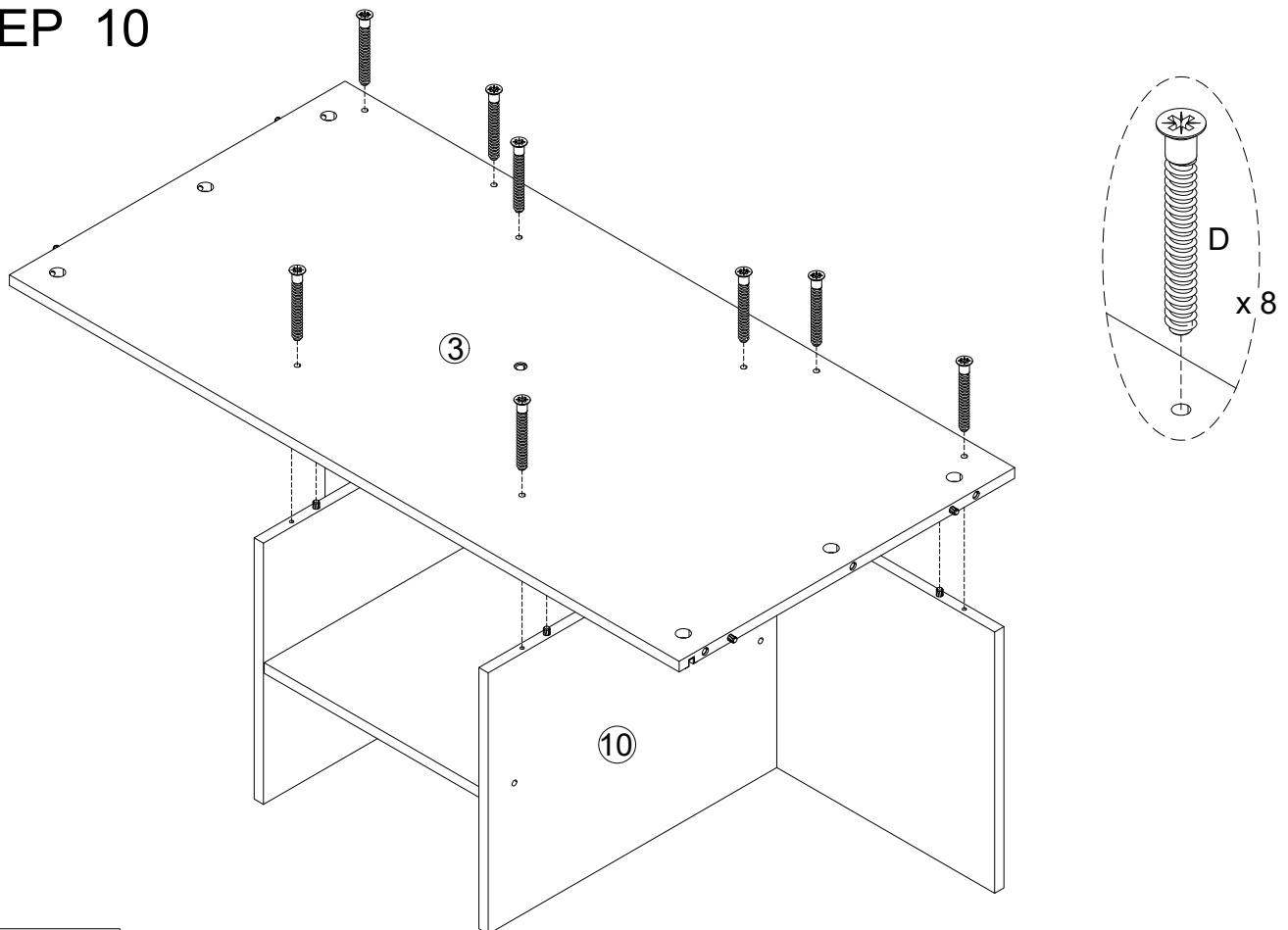
C x8 pcs

STEP 9



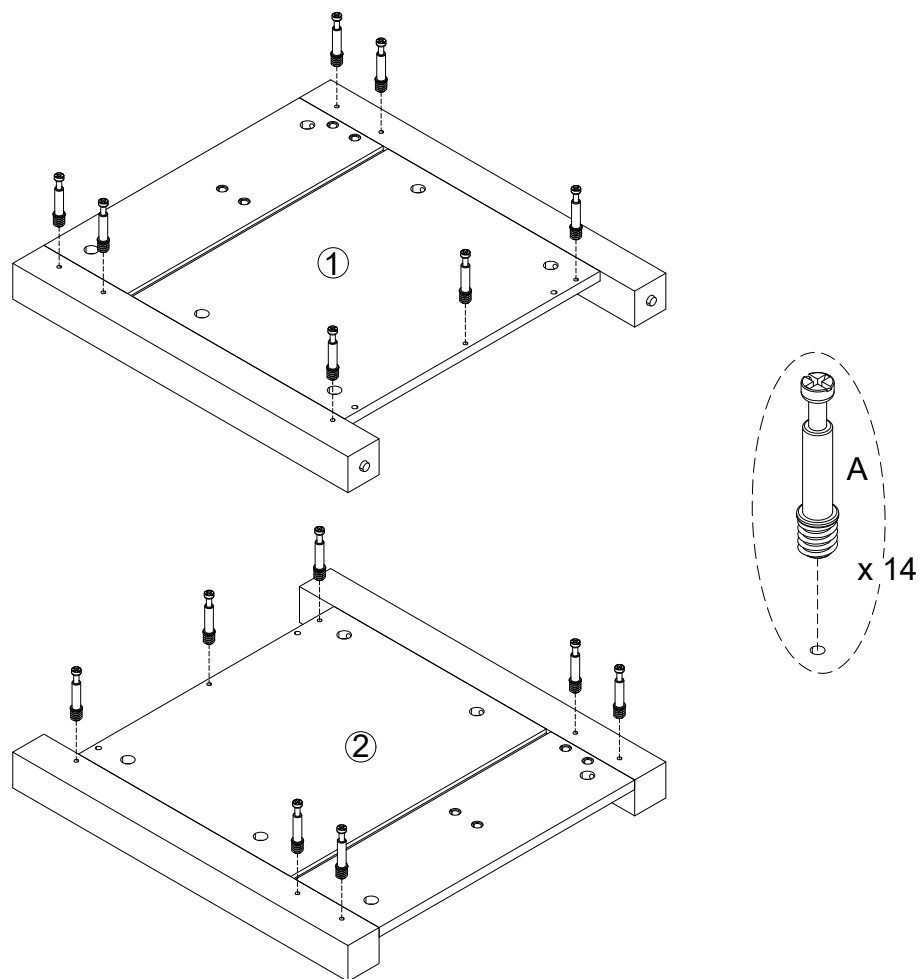
C x4 pcs

STEP 10



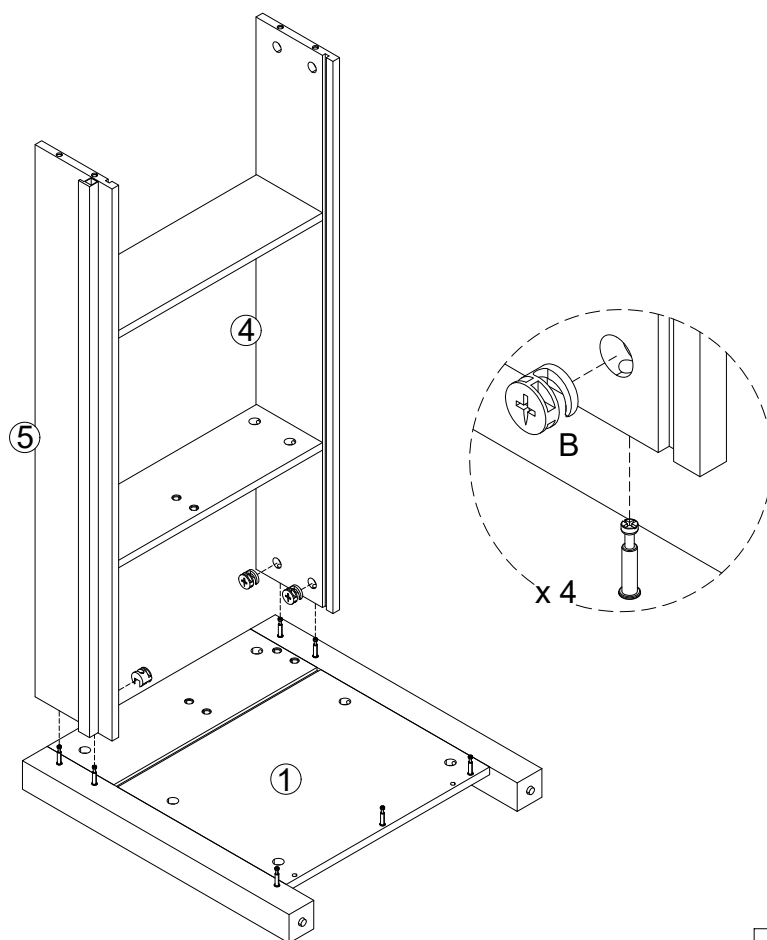
D x8 pcs

STEP 11



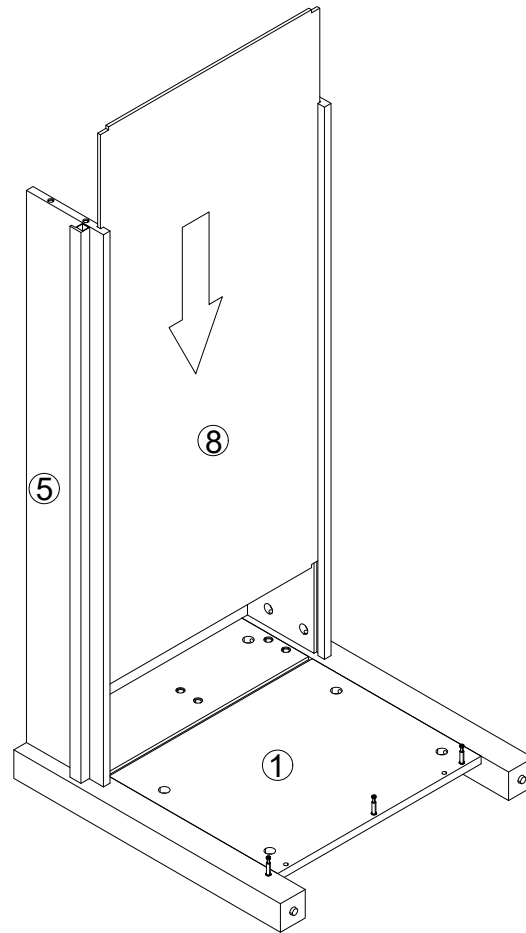
A x14 pcs

STEP 12

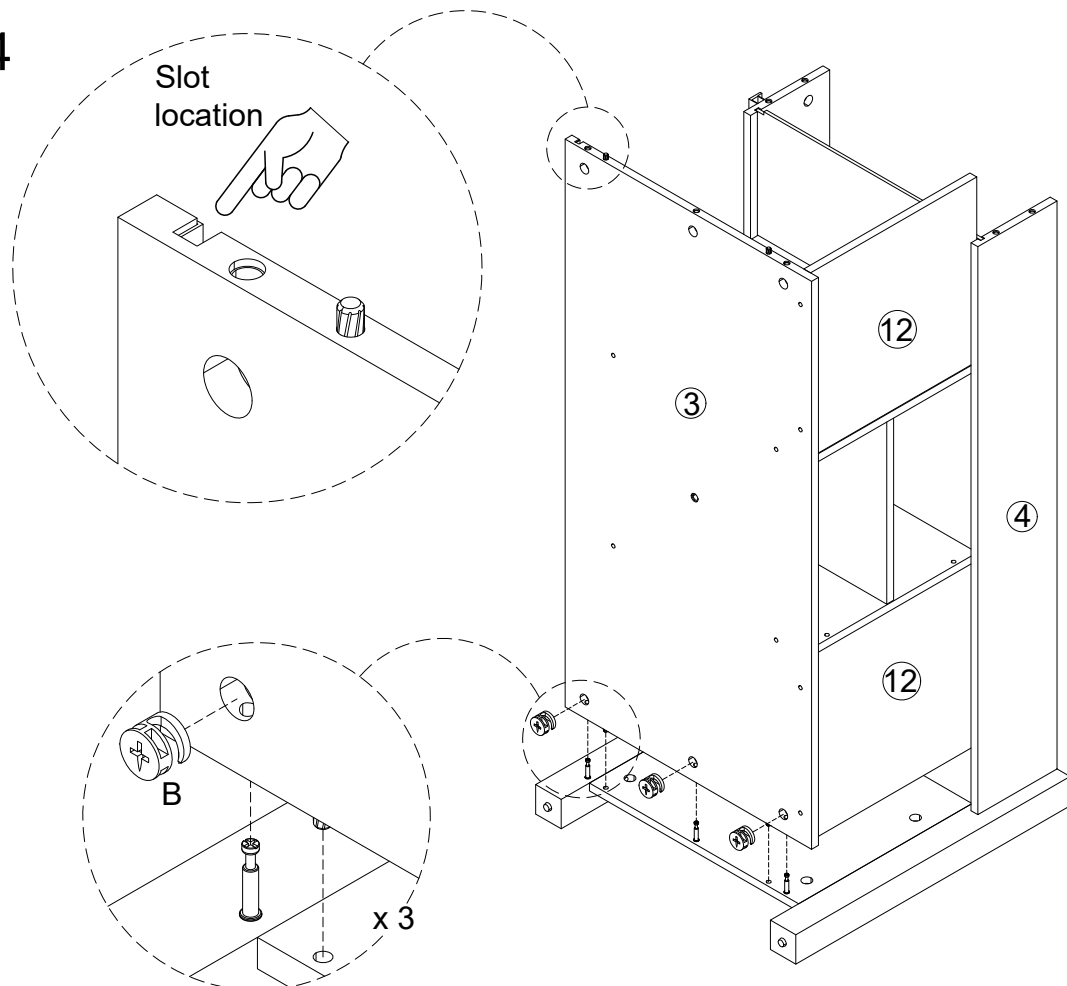


B x4 pcs

STEP 13

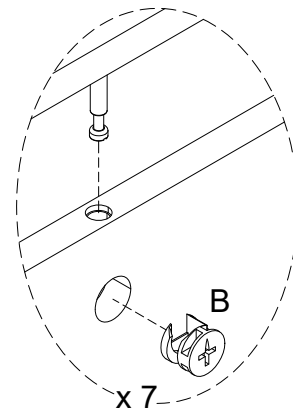
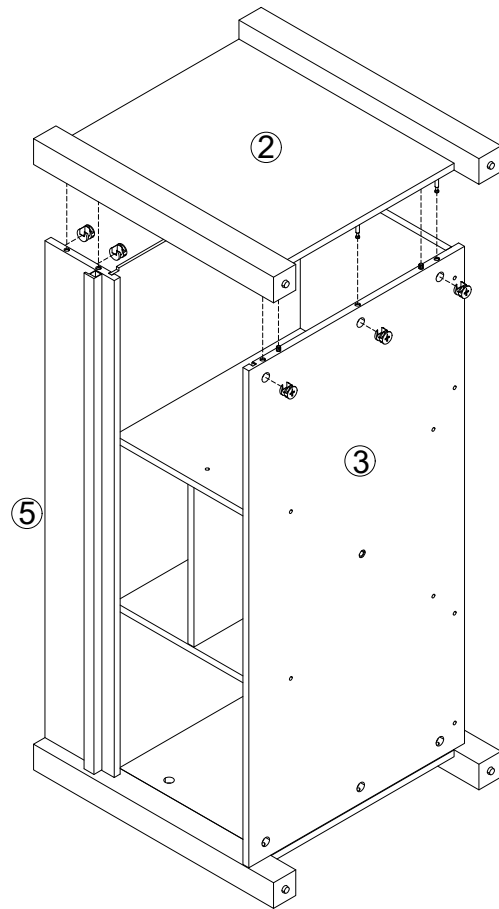


STEP 14



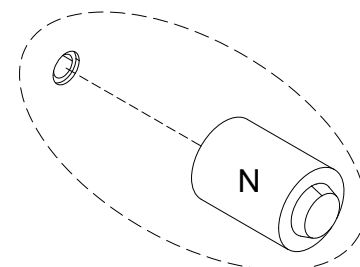
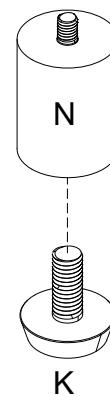
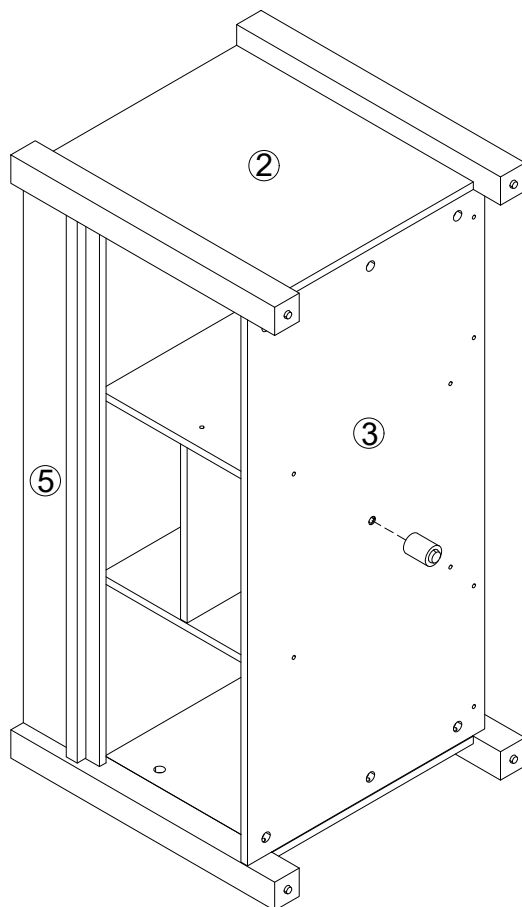
B x3 pcs

STEP 15



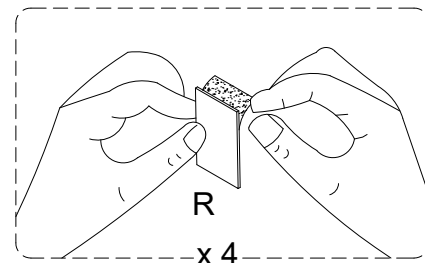
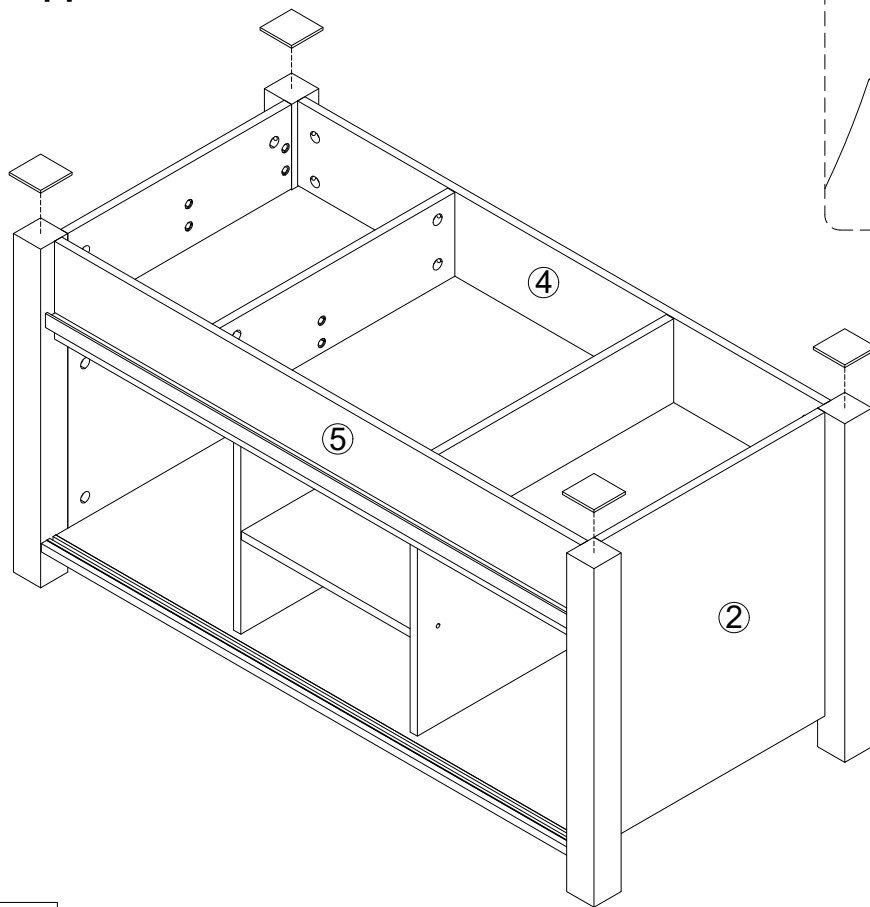
B x7 pcs

STEP 16



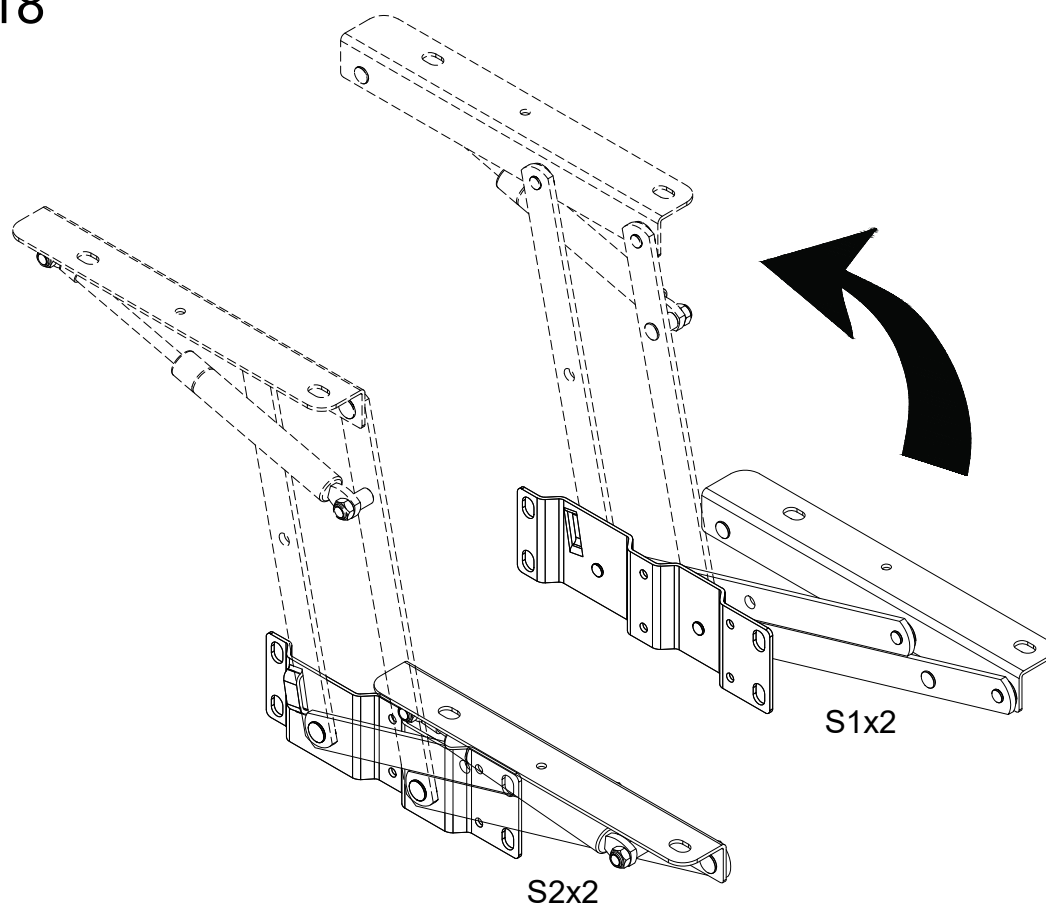
K x1 pc
N x1 pc

STEP 17



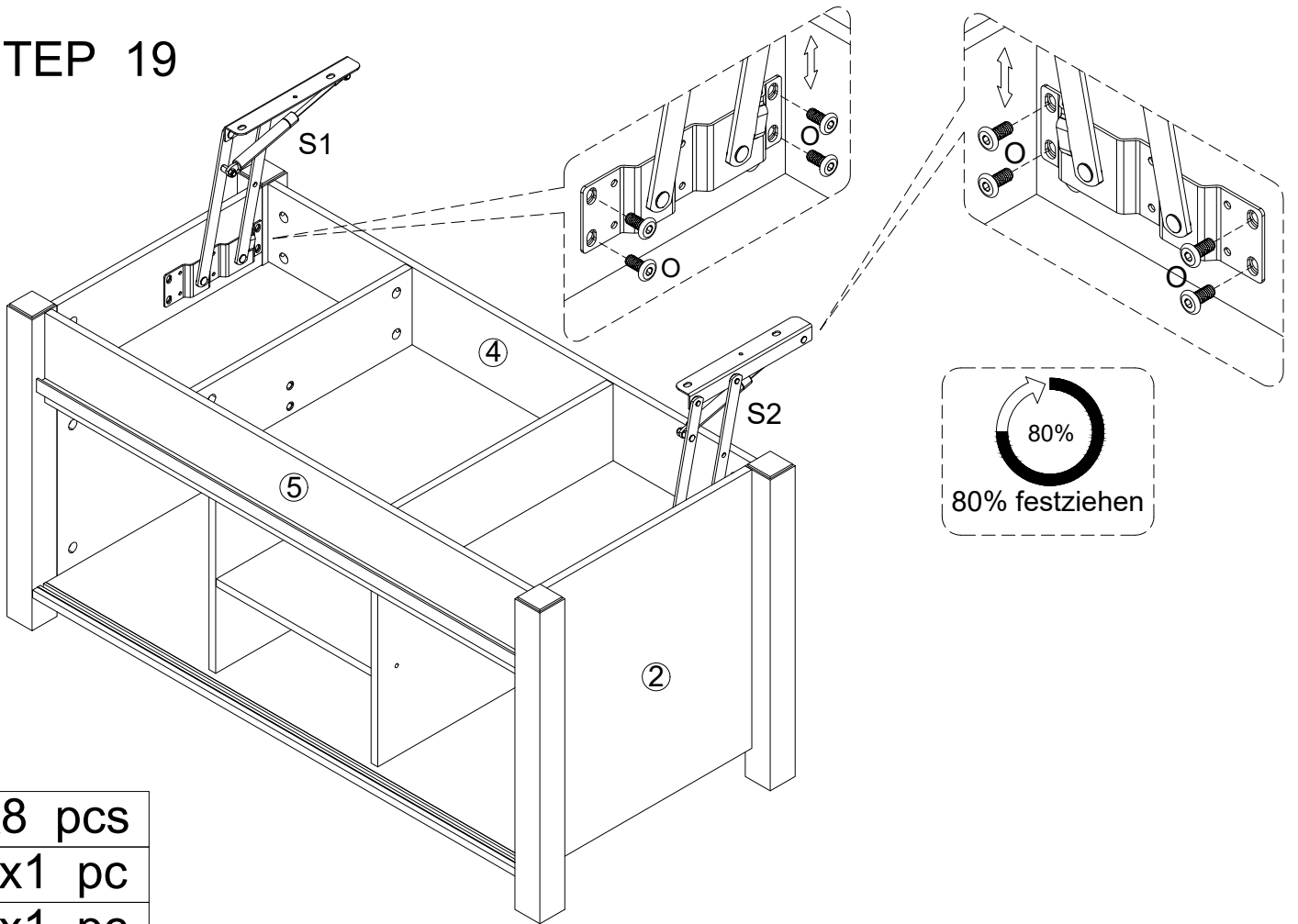
R x4 pcs

STEP 18



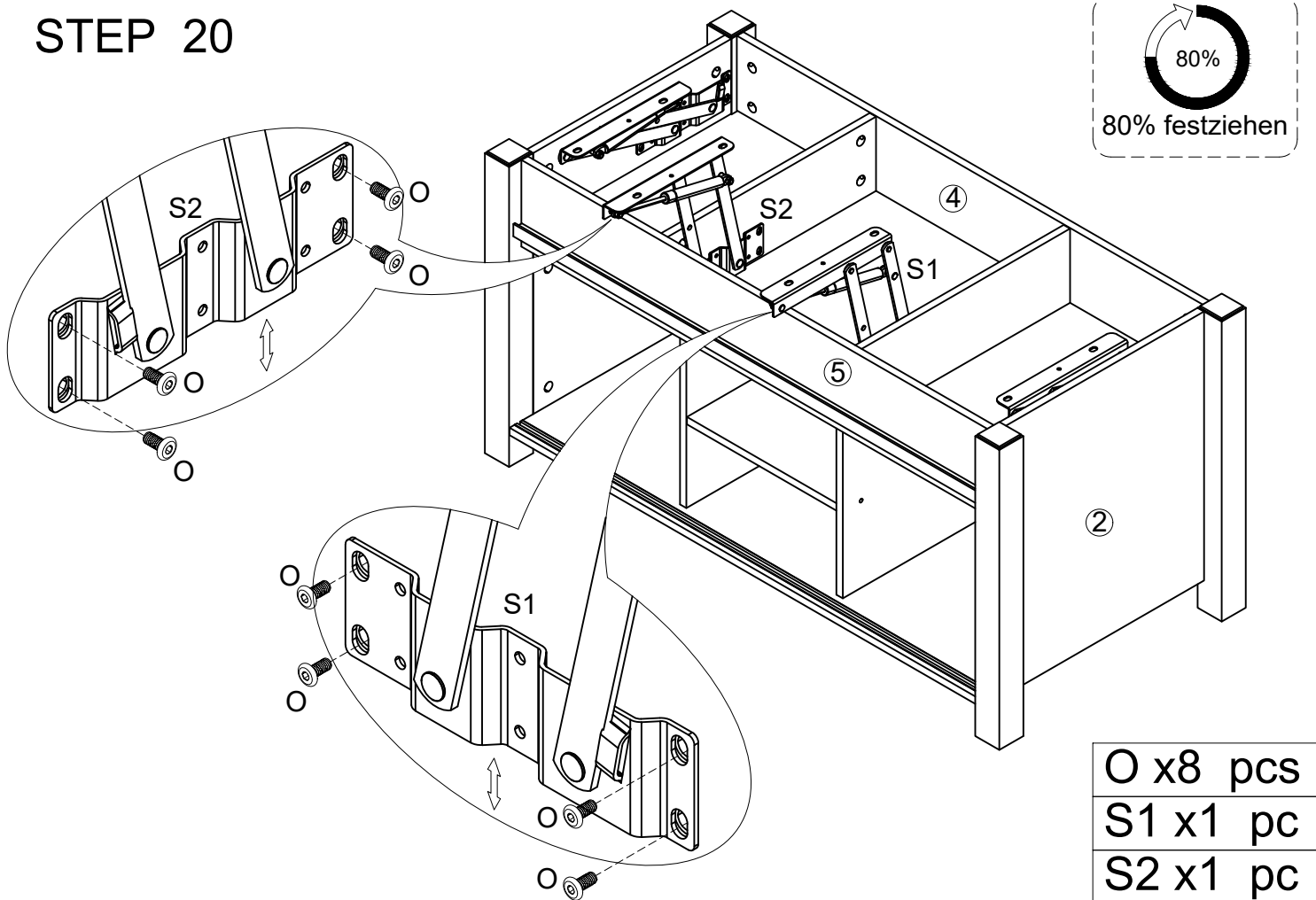
S x2 pcs

STEP 19



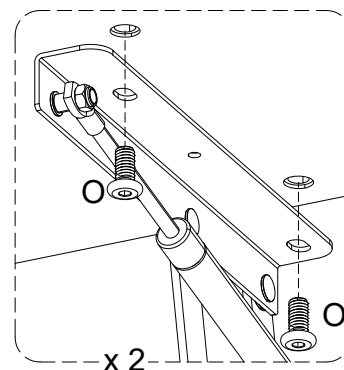
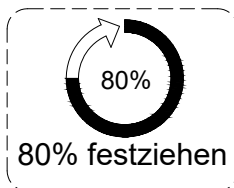
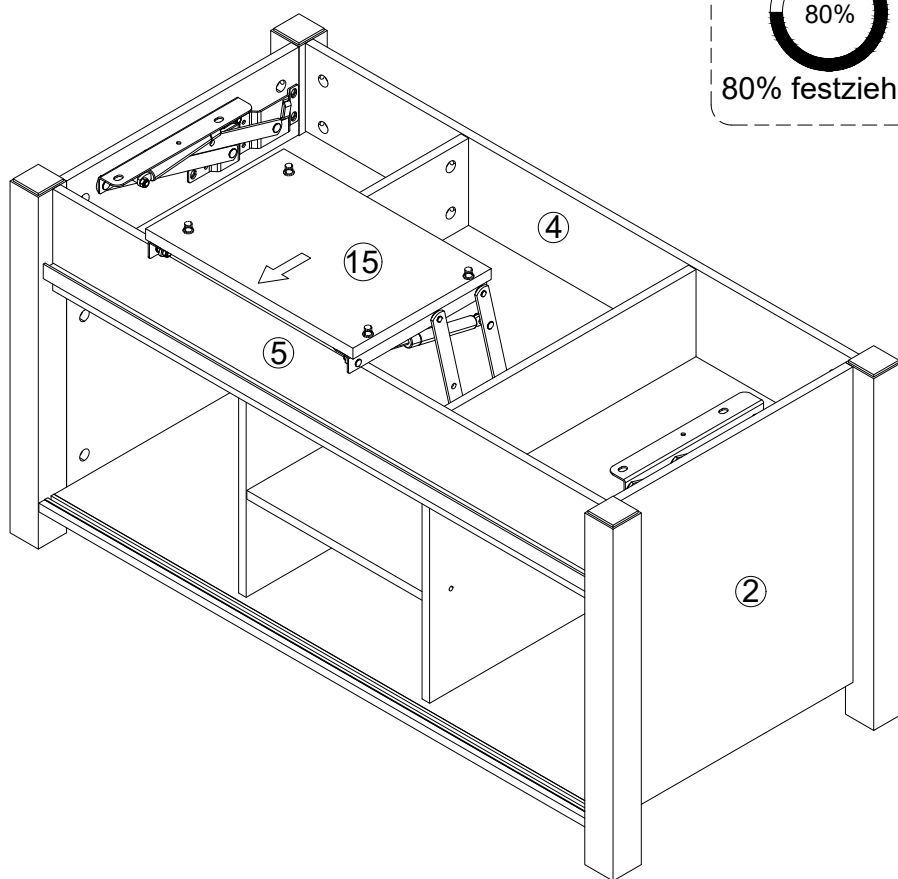
- O x8 pcs
- S1 x1 pc
- S2 x1 pc

STEP 20



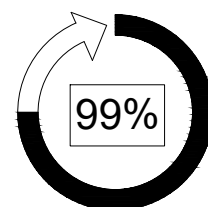
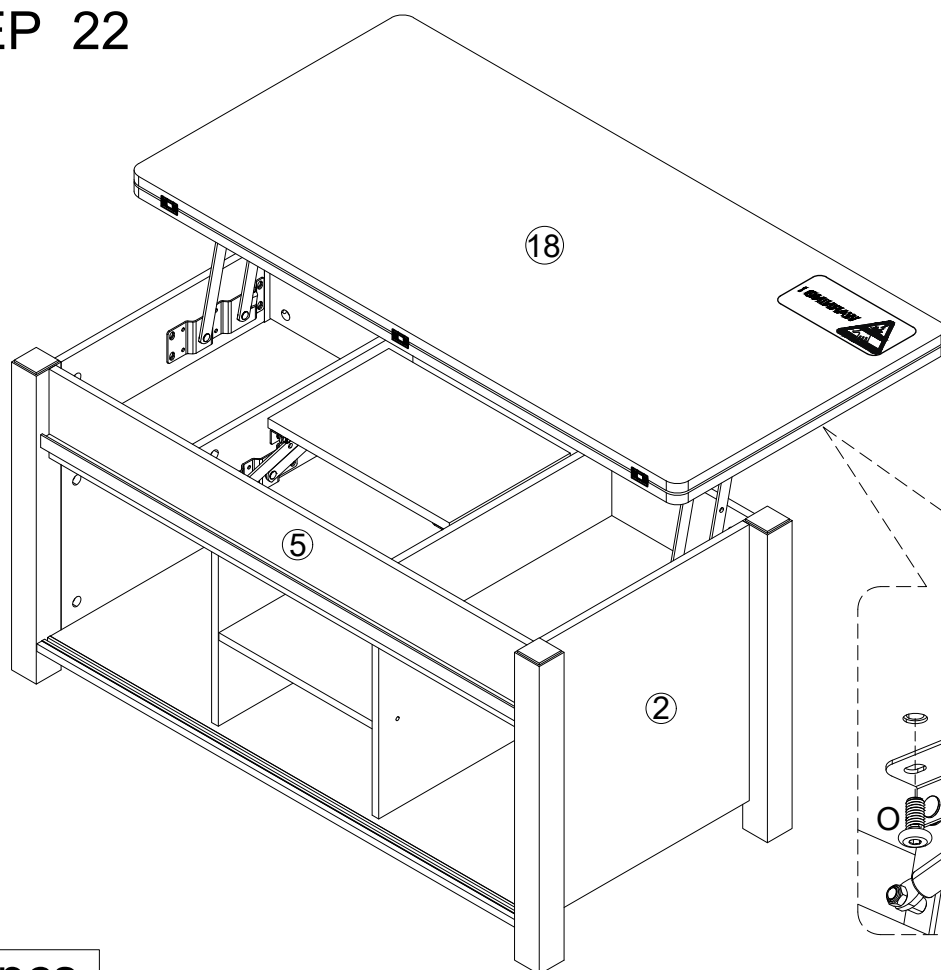
- O x8 pcs
- S1 x1 pc
- S2 x1 pc

STEP 21

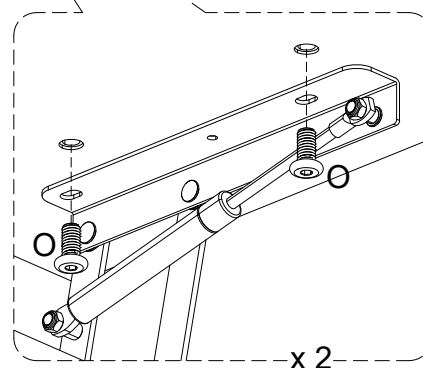


O x4 pcs

STEP 22

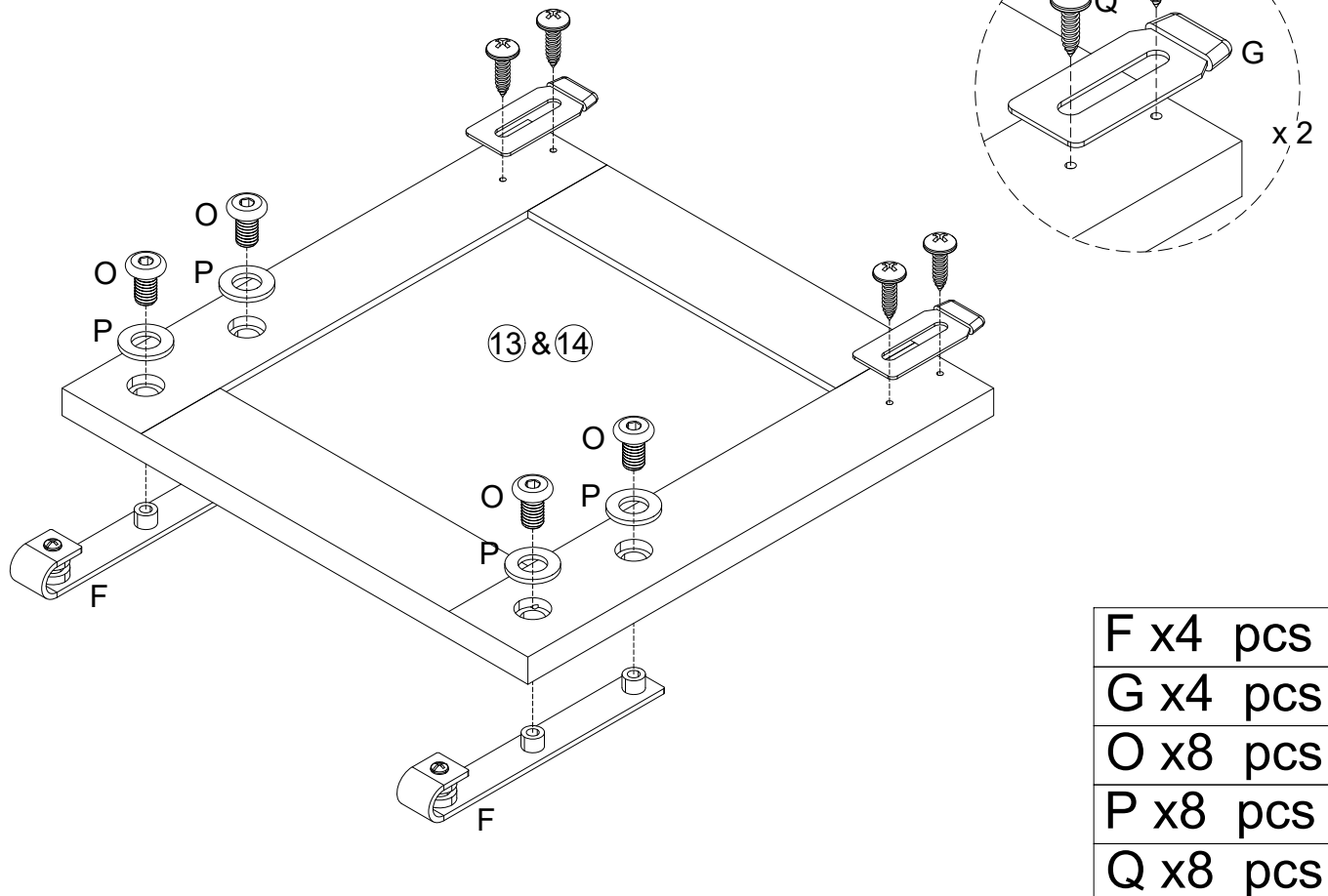


99% festziehen
Lock all  screws to 99%



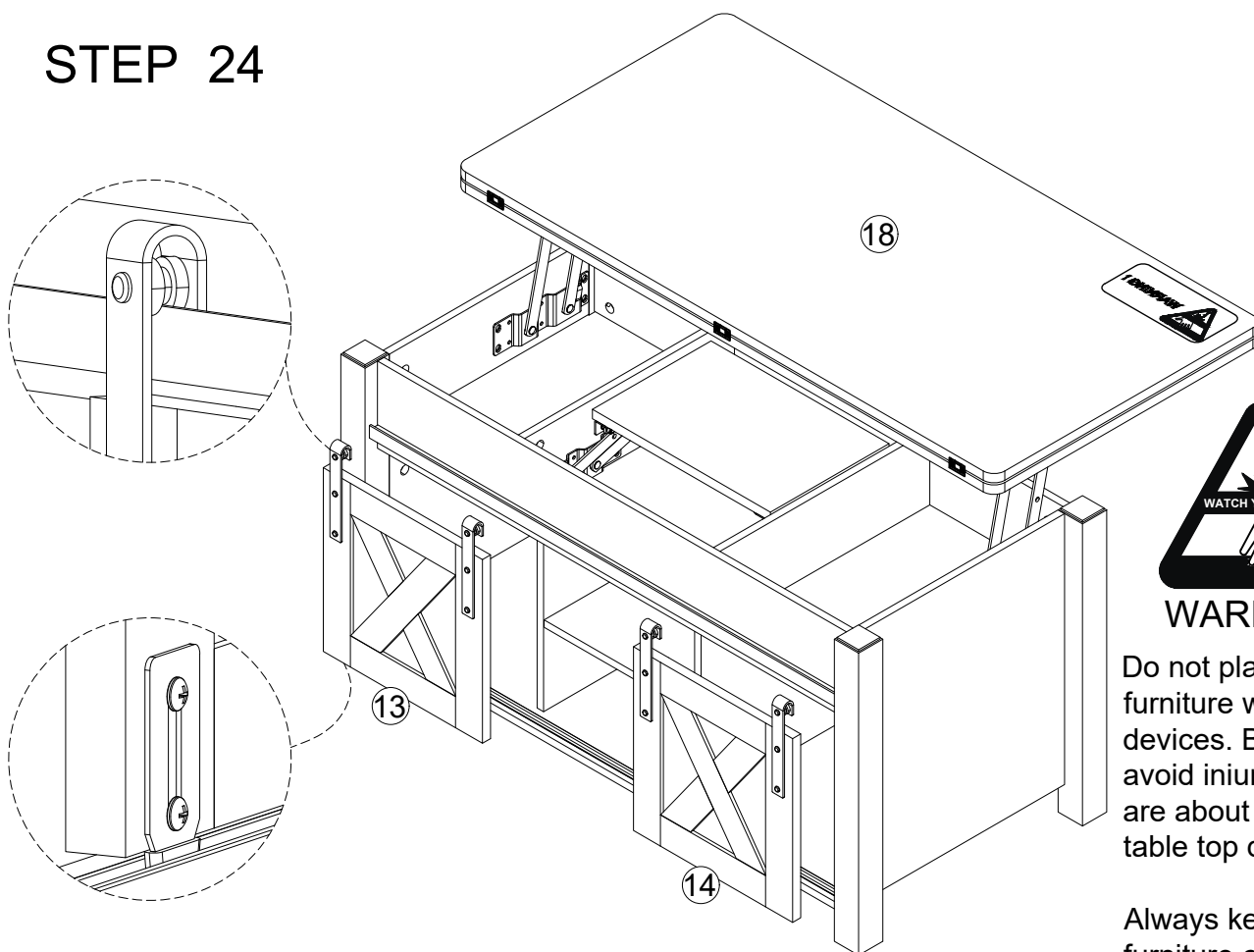
O x4 pcs

STEP 23



- F x4 pcs
- G x4 pcs
- O x8 pcs
- P x8 pcs
- Q x8 pcs

STEP 24

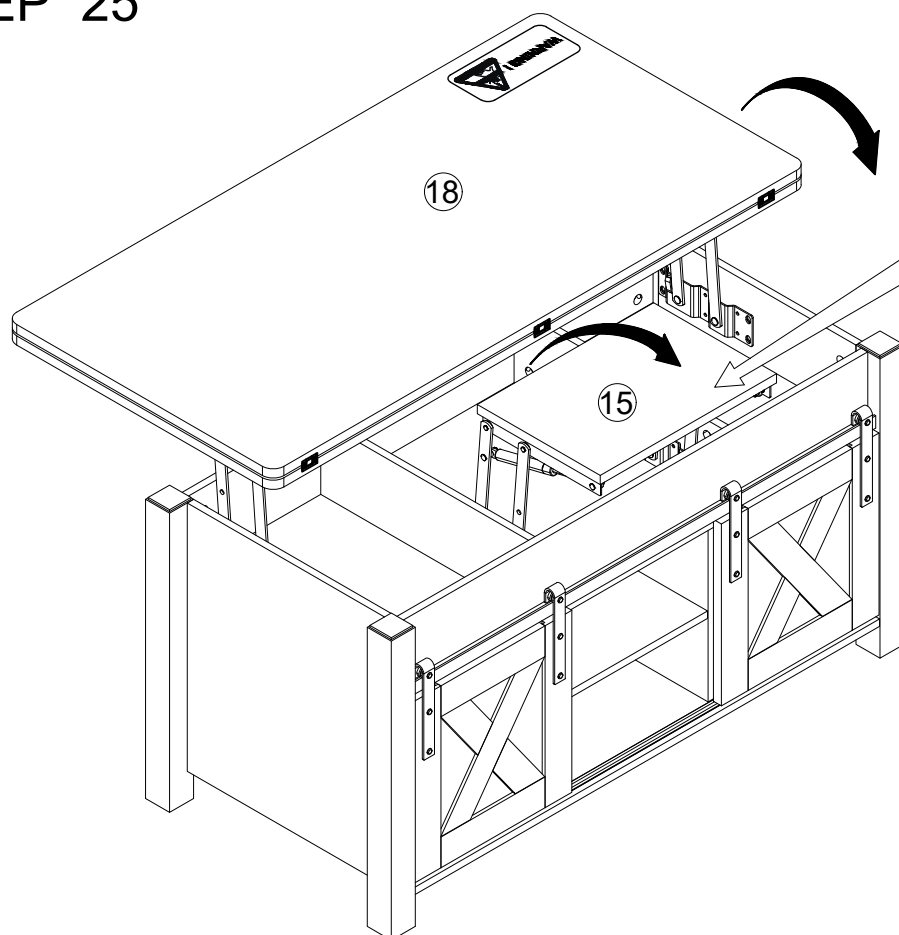


WARNING !

Do not play on this furniture with mechanical devices. Be careful to avoid injury when you are about to close the table top downwards.

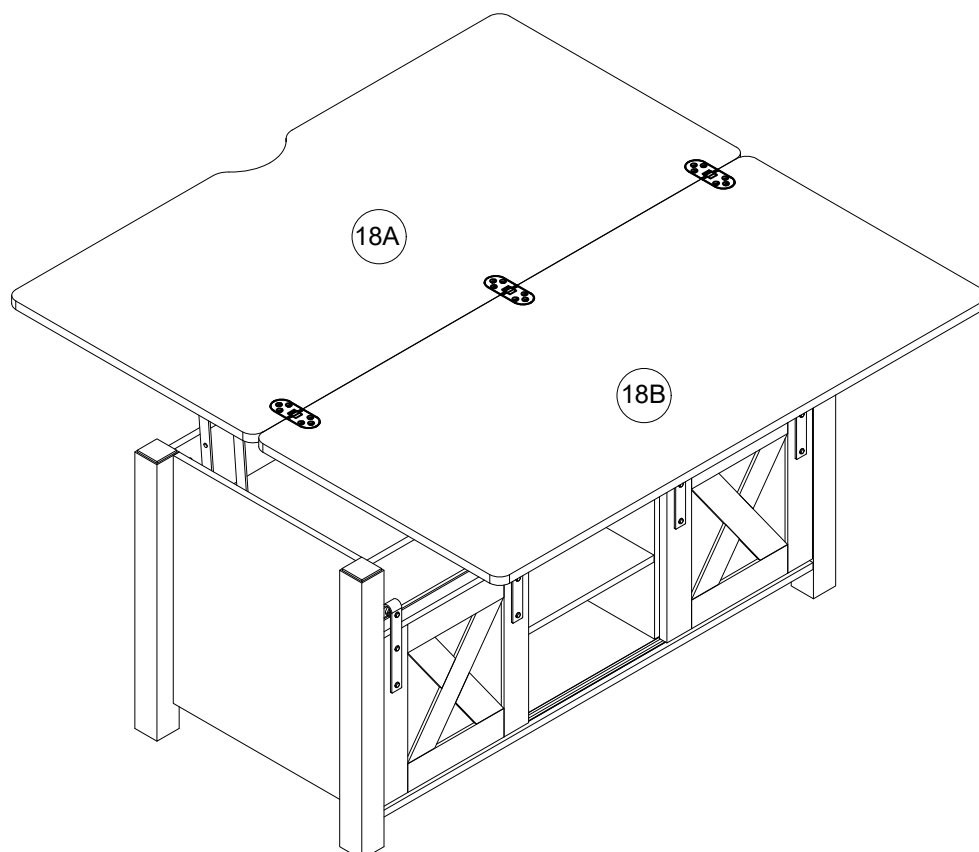
Always keep this furniture closed when not in use

STEP 25

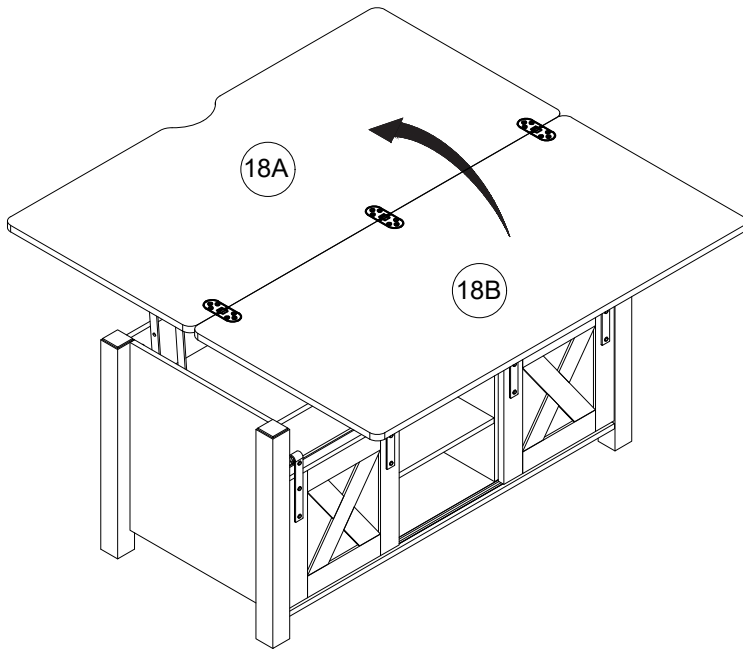


WARNING !
Before expanding panel 18, be sure to lift Panel 15 for support

STEP 26



STEP 27



STEP 28

