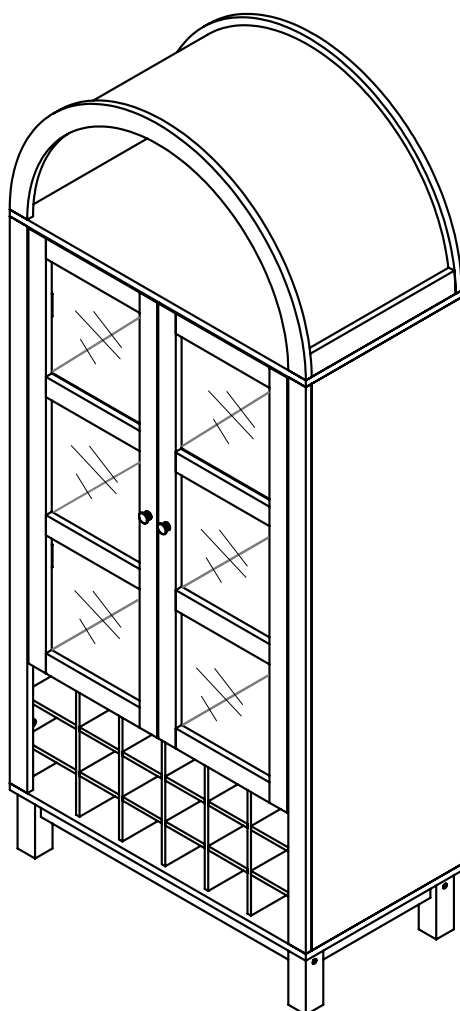


INSTRUCTION MANUAL

Arched Cabinet SKU:HKAC003



Wolfthontech1@gmail.com

Please choose SMS or email as your first choice for communicating with us.

WELCOME TO THE FUTURE OF HOME STORAGE CABINET

Thank you for choosing our new sideboard cabinet! Our products are designed to be both stylish and functional, with a focus on energy efficiency and sustainability.

We use high-quality materials to ensure that our pieces are built last, so you can enjoy them for years. Whether you're looking for a cozy electric fireplace or a stylish sideboard cabinet, we have something for everyone.

Our products are perfect for any home or office, and we're confident that you'll love them as much as we do!



Wolfthontech1@gmail.com

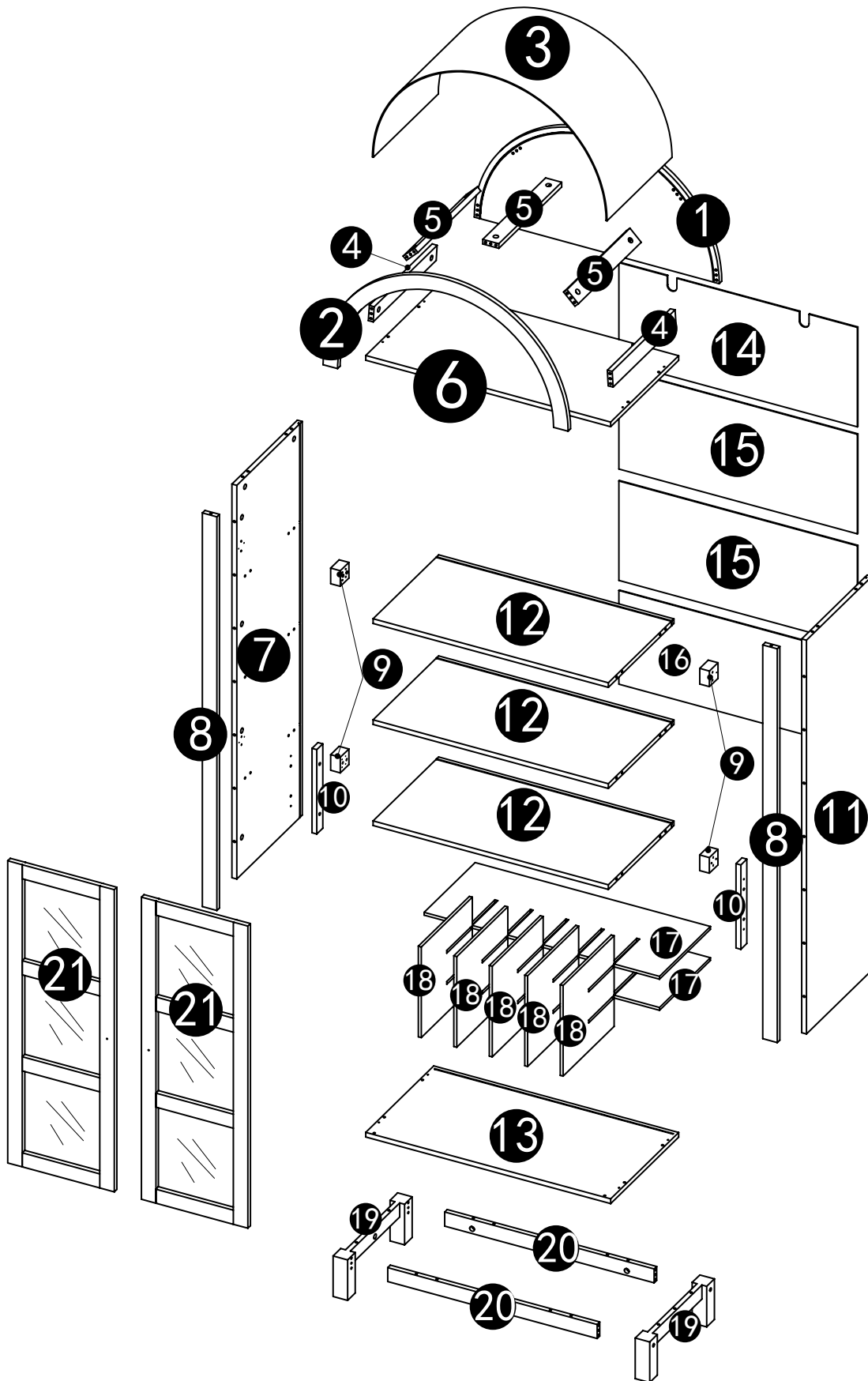
NOTICE

- 1.Children are not allowed to operate
2. Faster installation is possible with power tools.
3. Do not pull the door vigorously to prevent the storage cabinet from tipping over.
- 4.Please attach the storage cabinet to the wall with an anti-tip device after installation is complete.
5. When using the storage cabinet for the first time,please keep it in a ventilated environment to allow the smell to fully evaporate.
- 6.When placing the partitions,please make sure the nails are firmly installed to prevent the partitions from falling off.
7. If any parts are missing,broken,damaged or worn,discontinue use of the product until repairs are made and/or factory replacement parts are installed
8. Do not use this product in a manner inconsistent with the manufacturer's instructions as this may void the product warranty
- 9.If accessories are missing, please contact customer service for communication in time, we provide 7x24 hours after-sales service
- 10.Do not use any attachments or accessories other than the original factory attachments and accessories
- 11.Do not alter this equipment. Any alteration will create a safety hazard.

Before You Start

- ⚠ Please read all instructions carefully.
- ⚠ Retain instructions for future reference.
- ⚠ Separate and count all parts and hardware.
- ⚠ Read through each step carefully and follow the proper order.
- ⚠ We recommend that, where possible, all items are assembled near to the area in which they will be placed in use, to avoid moving the product unnecessarily once assembled.
- ⚠ Always place the product on a flat, steady and stable surface.
- ⚠ Keep all small parts and packaging materials for this product away from babies and children as they potentially pose a serious choking hazard.

Panel List



PRE-INSTALLATION

GRAB YOUR TOOLS



Phillips Screwdriver



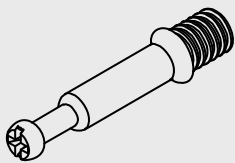
2 Persons Assembly



Up to 40 Minutes For Assembly

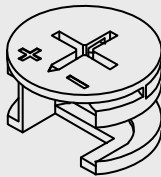
Hardware List

A



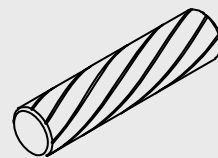
40PCS(M6*35)

B



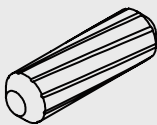
40PCS(M15*10)

C



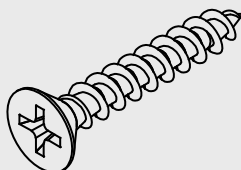
78PCS(Φ6*30)

D



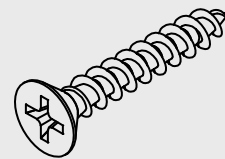
4PCS(M6*20)

E



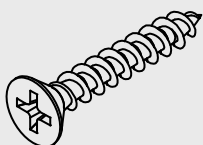
8PCS(M4*40)

F



10PCS(M4*35)

G



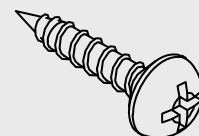
4PCS(M4*25)

H



24PCS(M4*14)

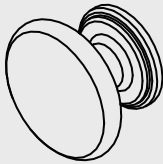
I



8PCS(M4*12)

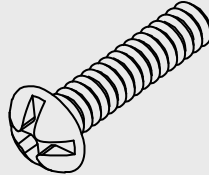
Hardware List

J



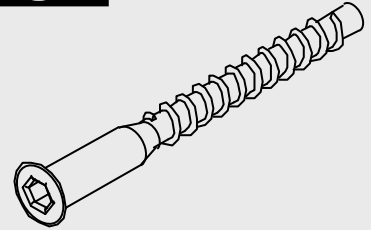
2PCS

K



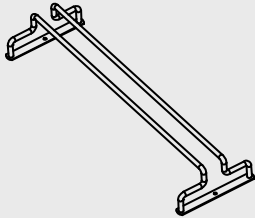
2PCS

L



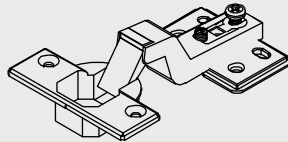
4PCS

M



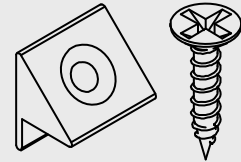
4PCS

N



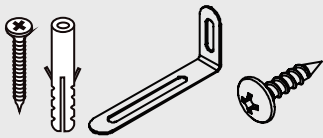
4PCS

O



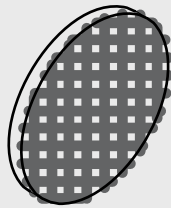
16PCS(M3*14)

P

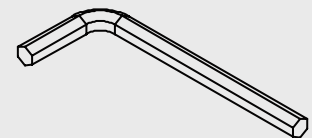


2 PCS

Q



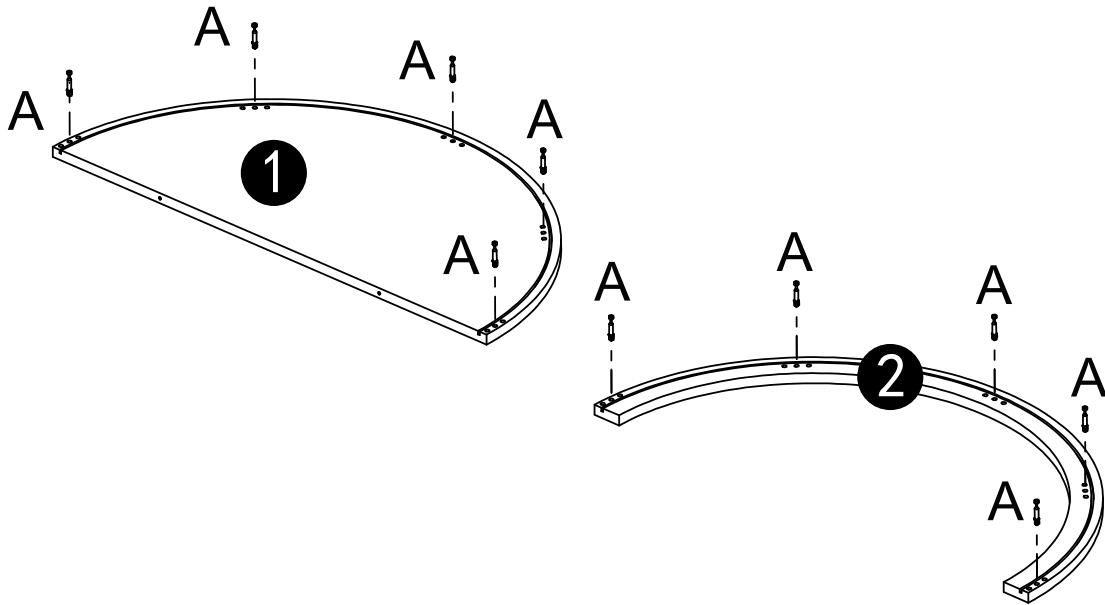
4PCS



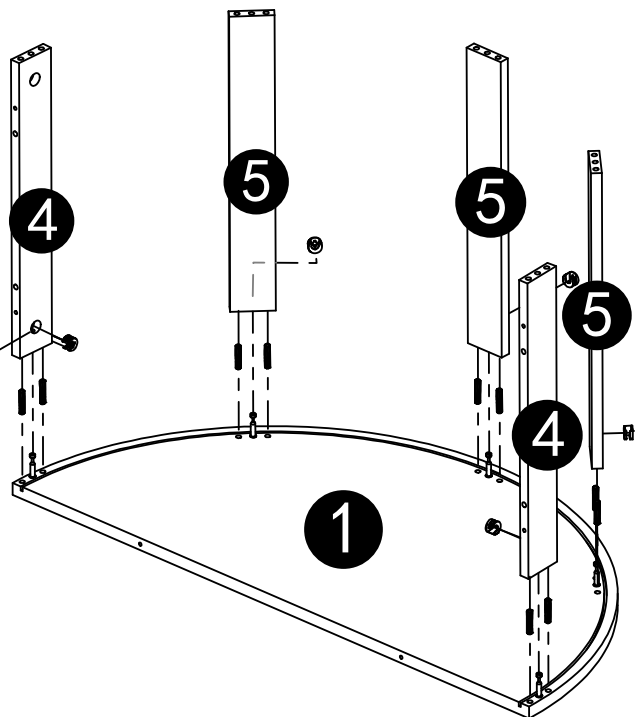
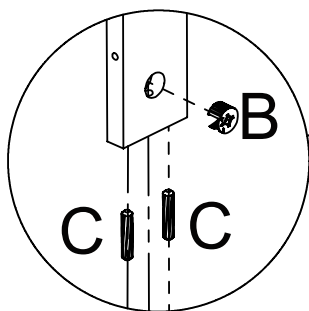
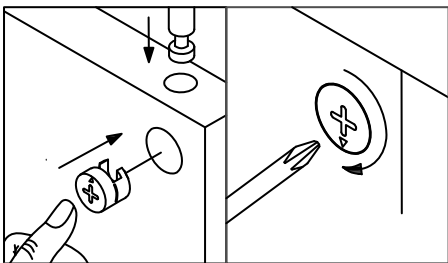
1PC

Assembly Instructions

STEP 1





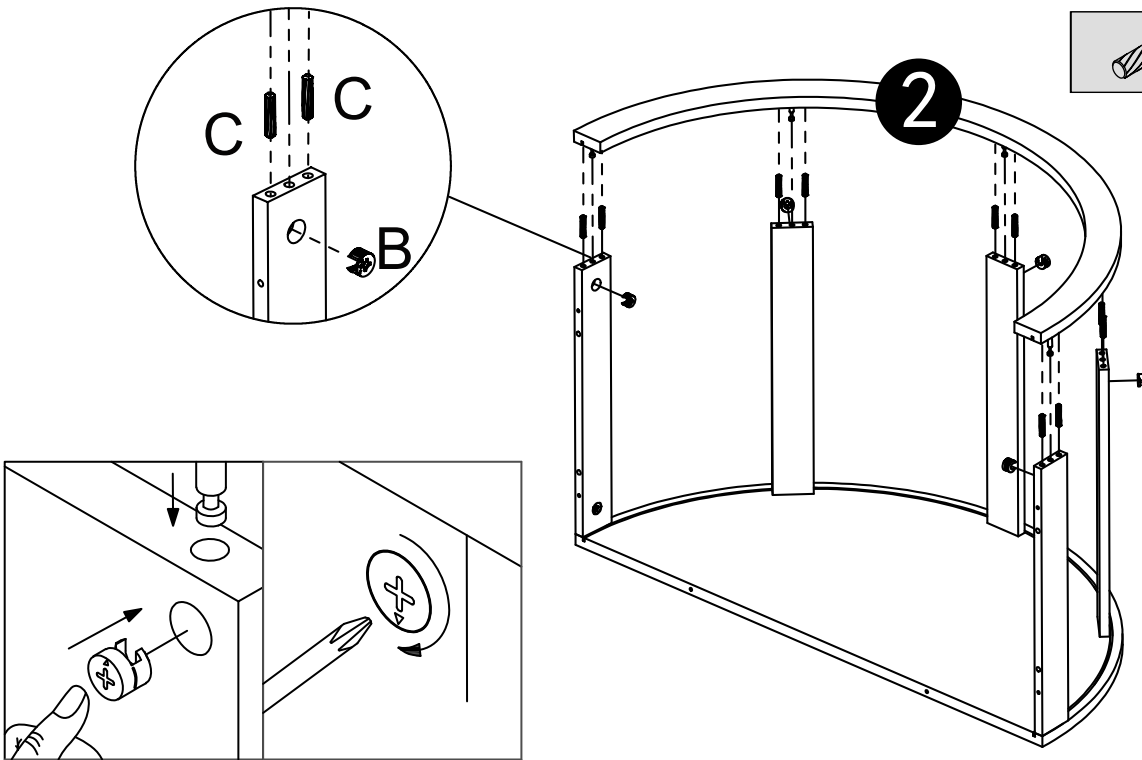
STEP 2



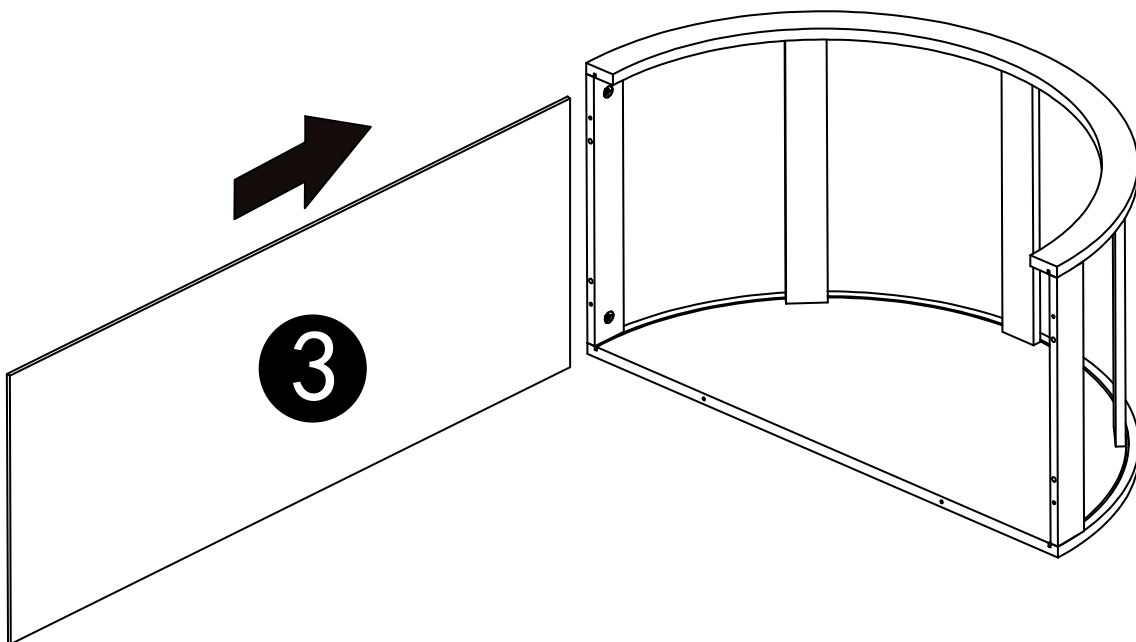
Assembly Instructions

STEP 3

	B * 5
	C * 10

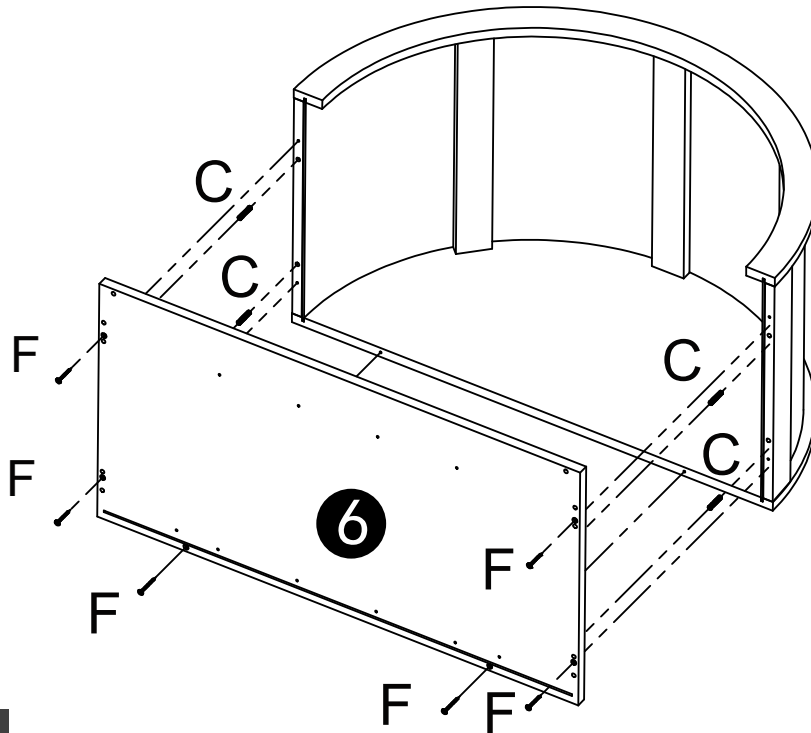
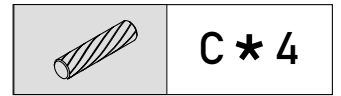


STEP 4

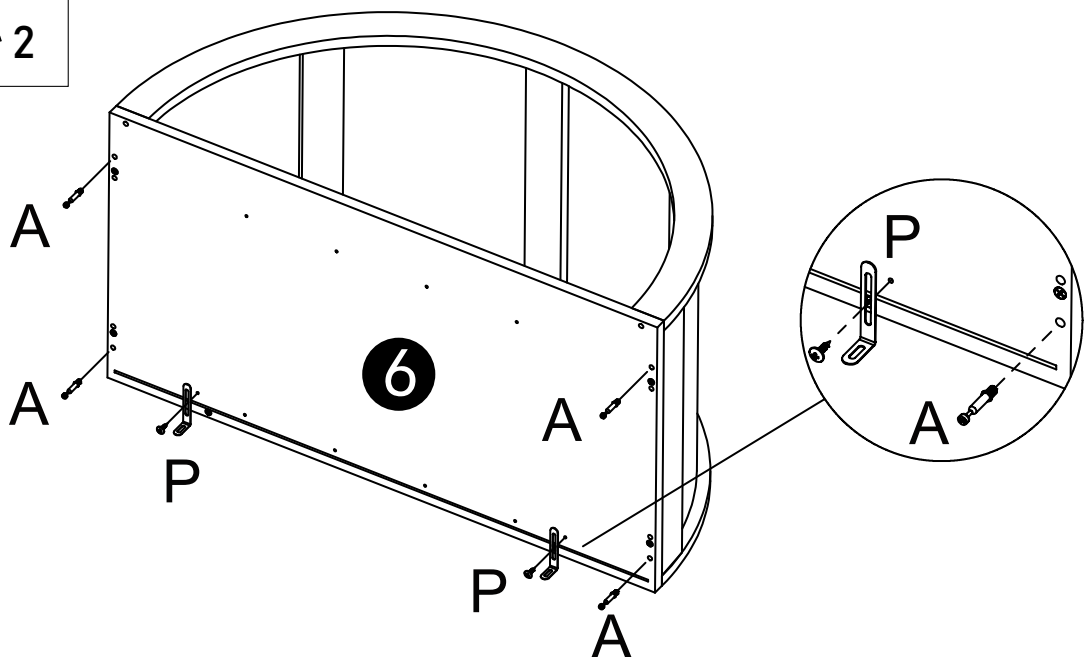


Assembly Instructions

STEP 5

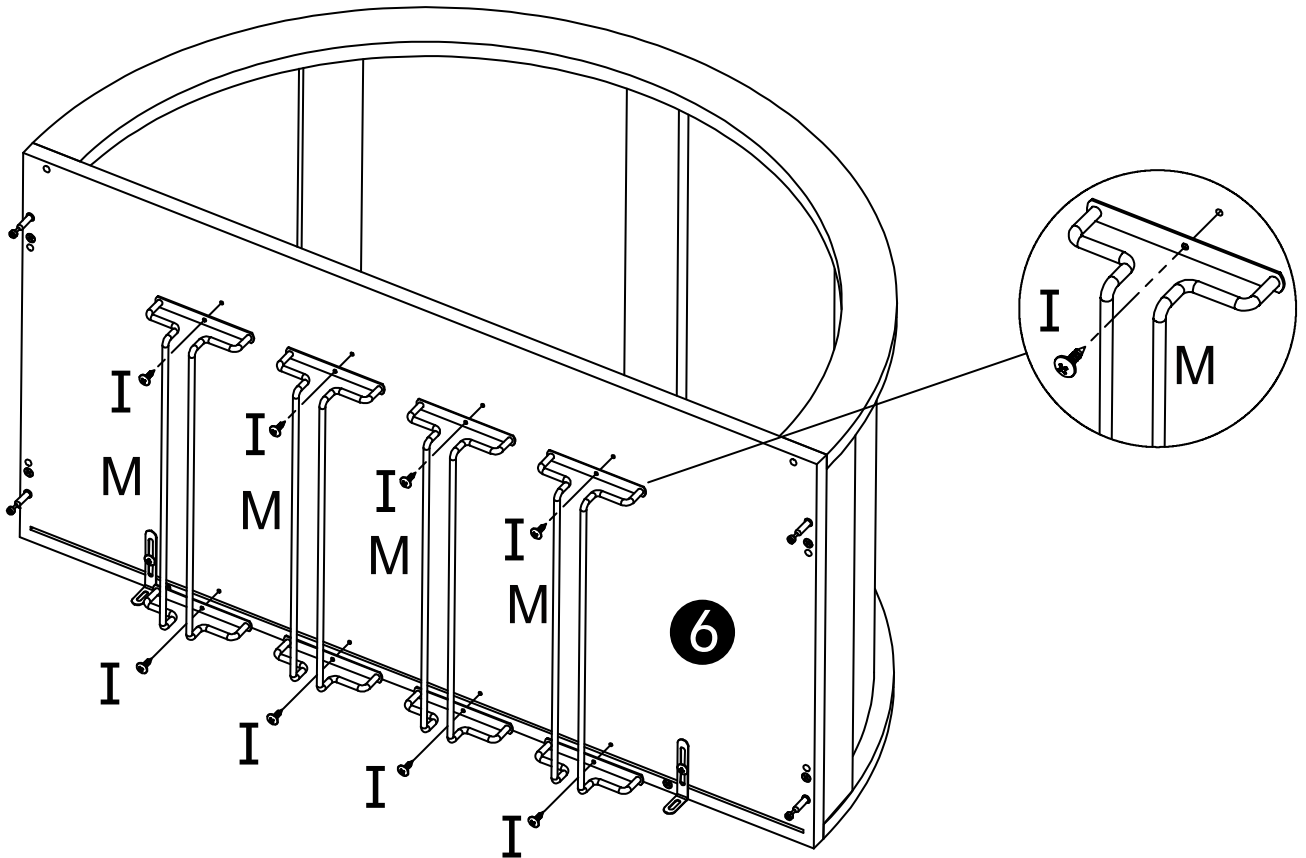
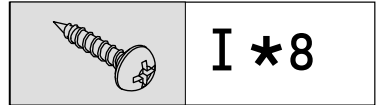


STEP 6



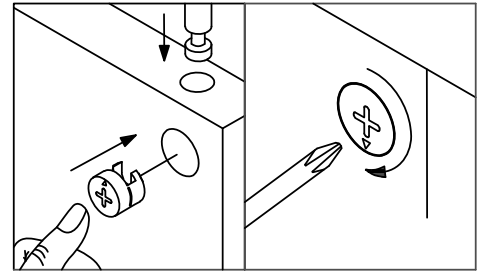
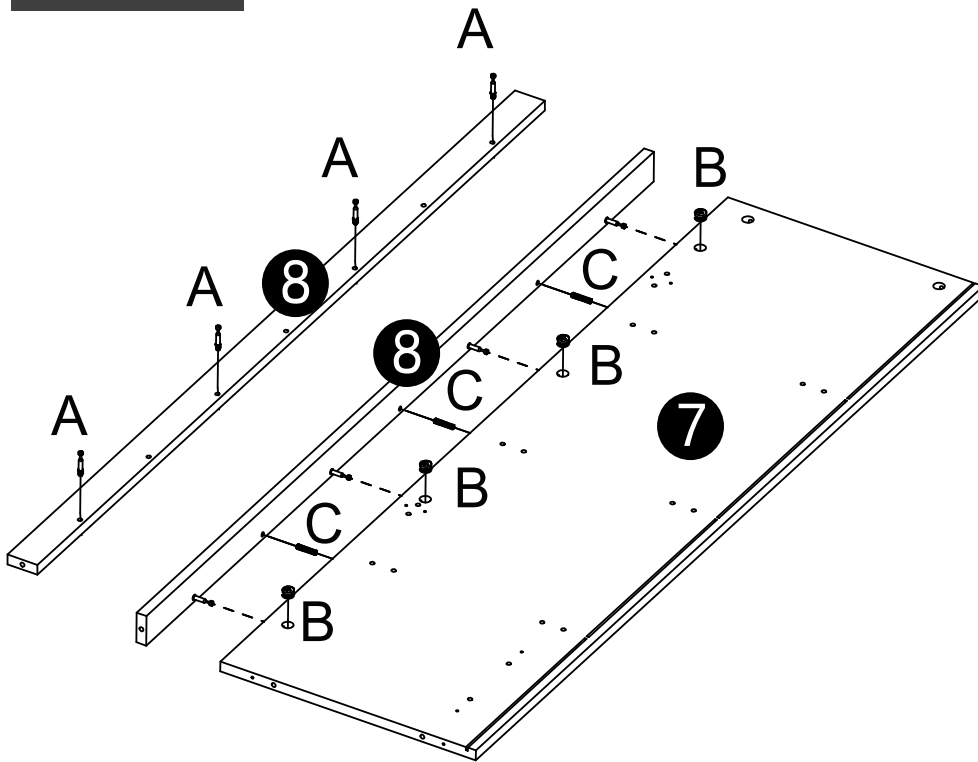
Assembly Instructions

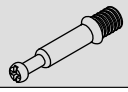

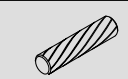
STEP 7



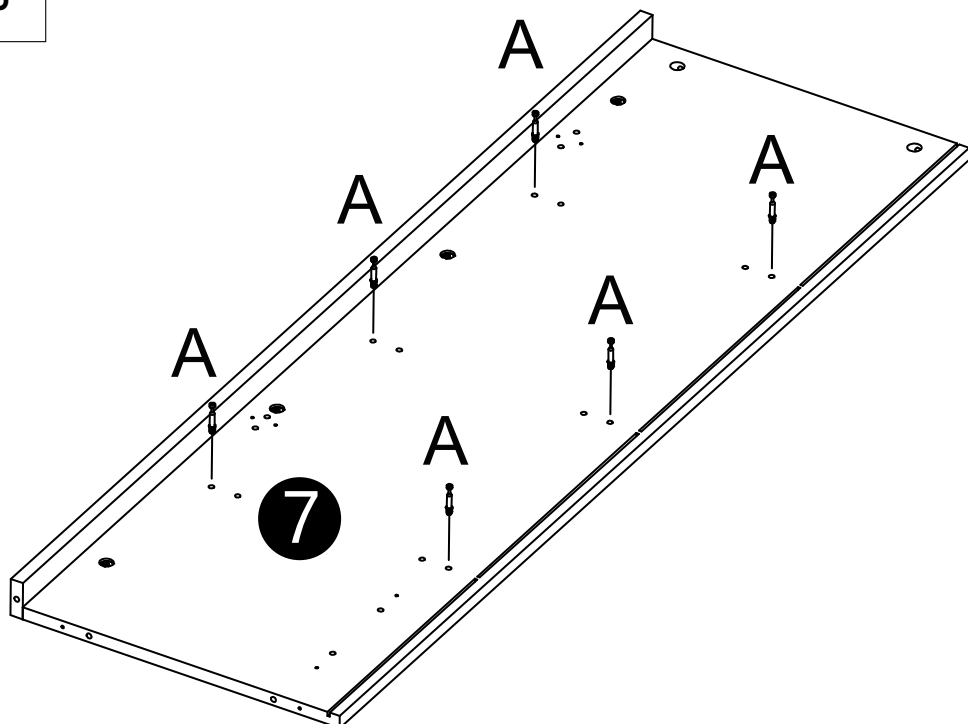
Assembly Instructions

STEP 8



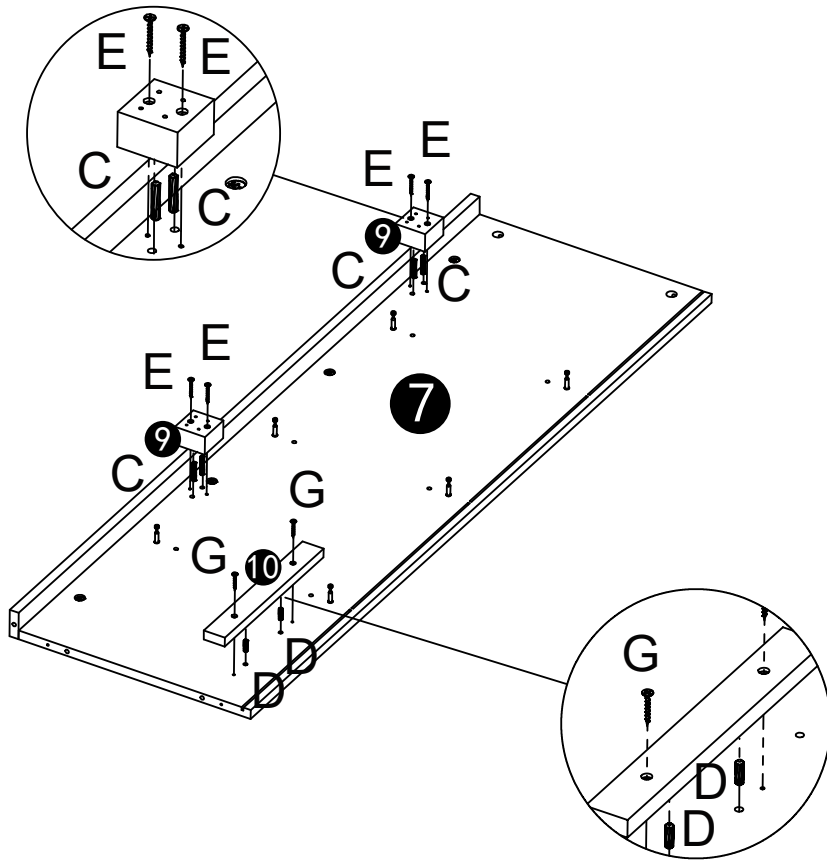
	A * 4
	B * 4
	C * 3



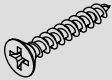

STEP 9






Assembly Instructions

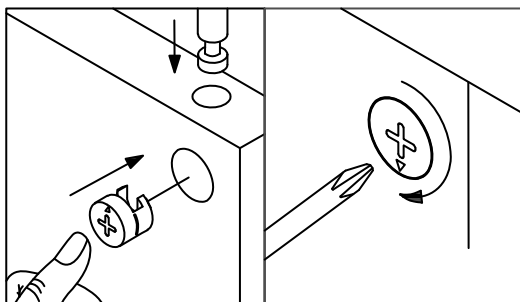
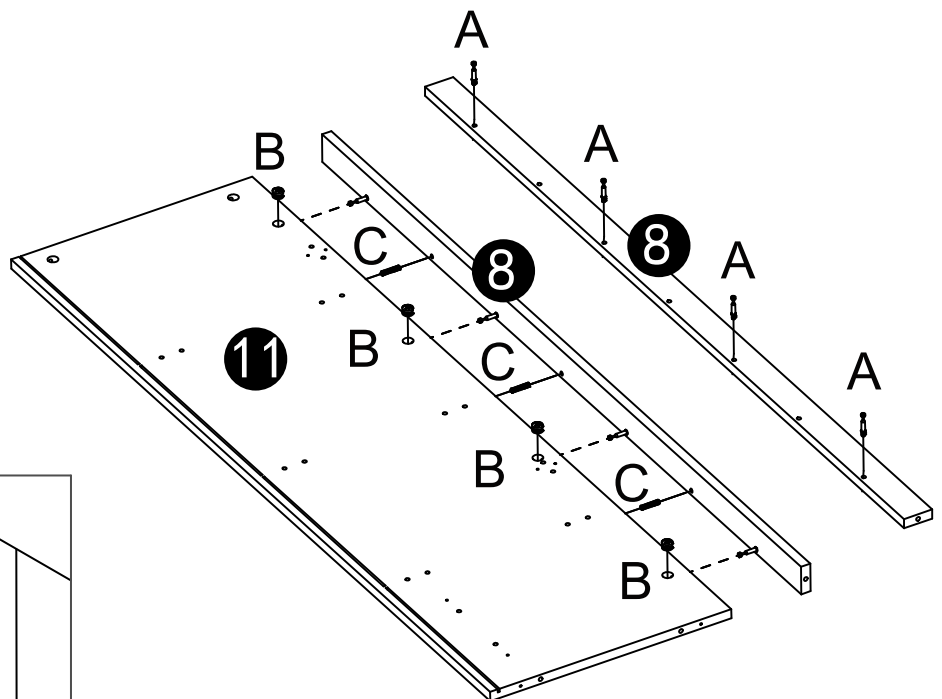
STEP 10



	C * 4
	D * 2
	E * 4
	G * 2

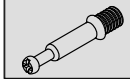
STEP 11

	A * 4
	B * 4
	C * 3

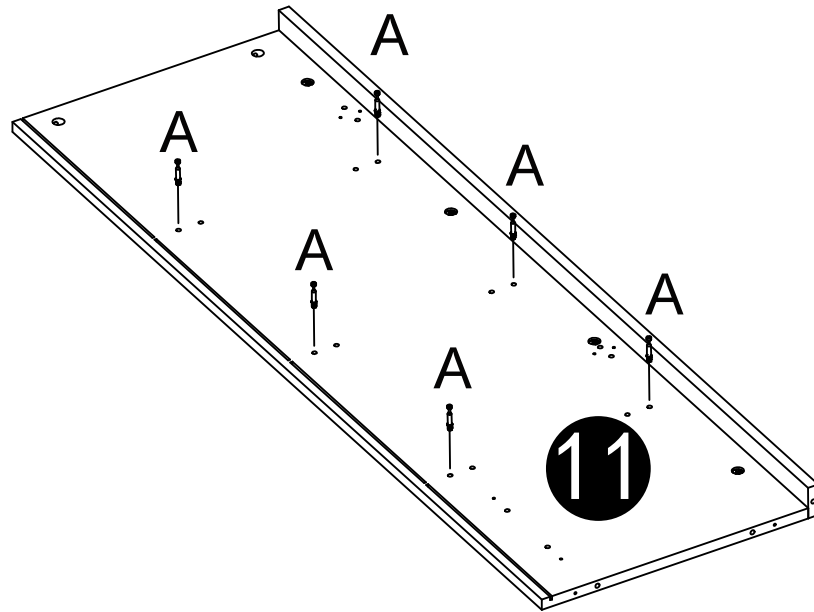


Assembly Instructions

STEP 12



A * 6



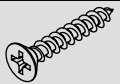
STEP 13



C * 4



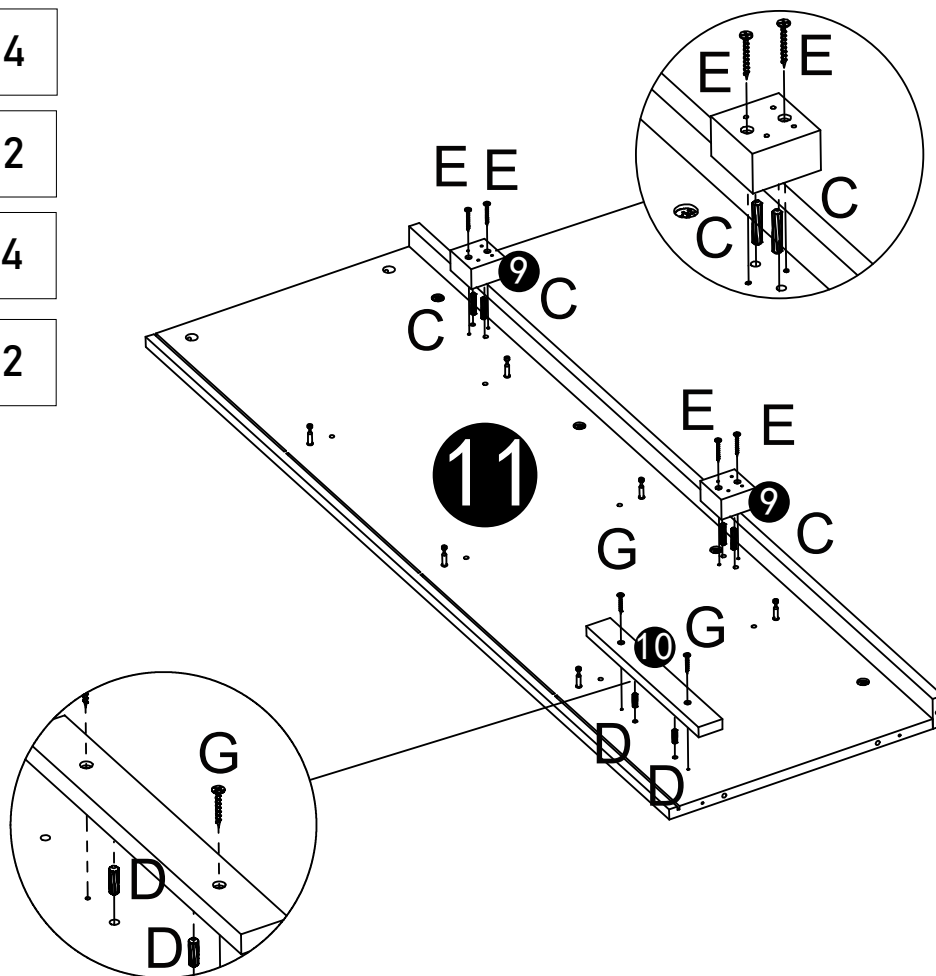
D * 2



E * 4



G * 2

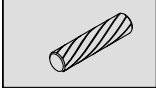


Assembly Instructions

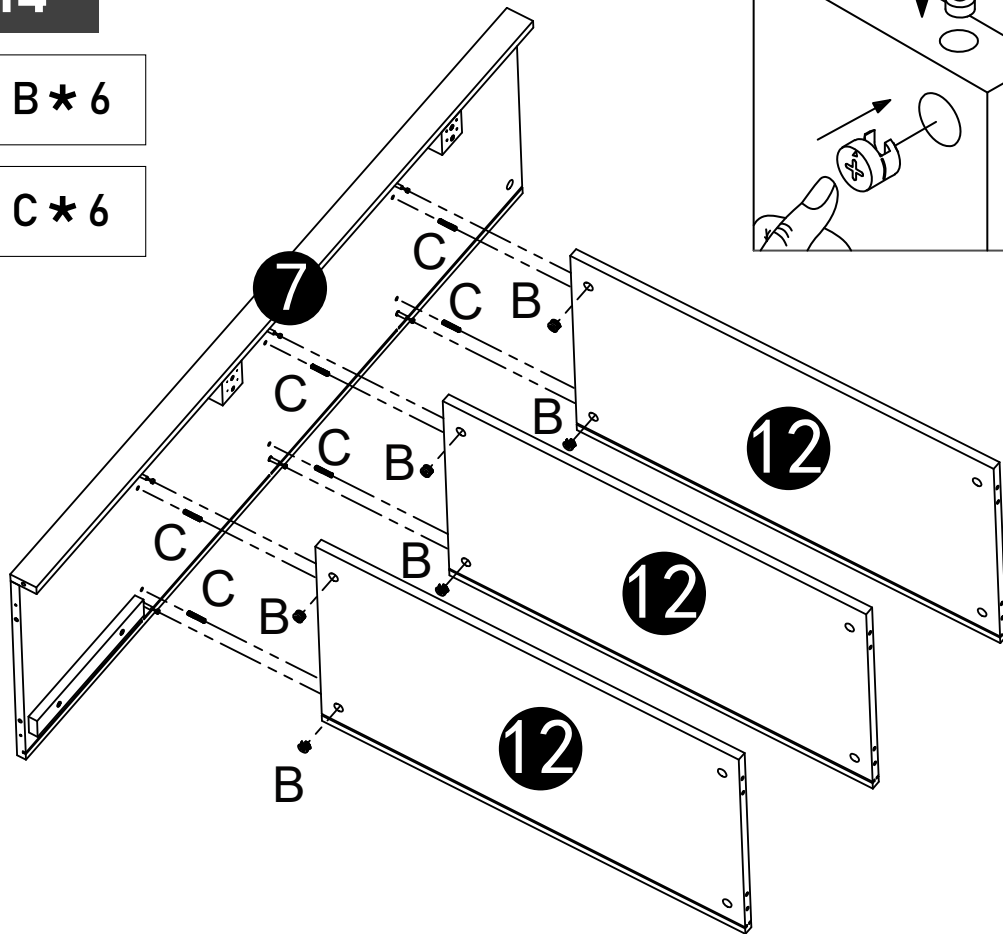
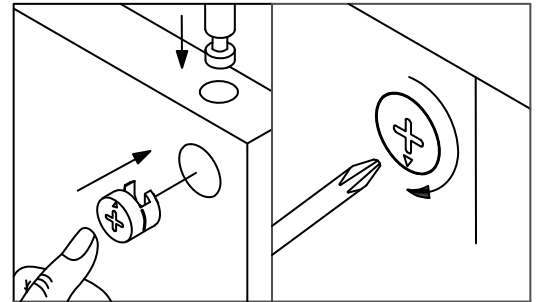
STEP 14



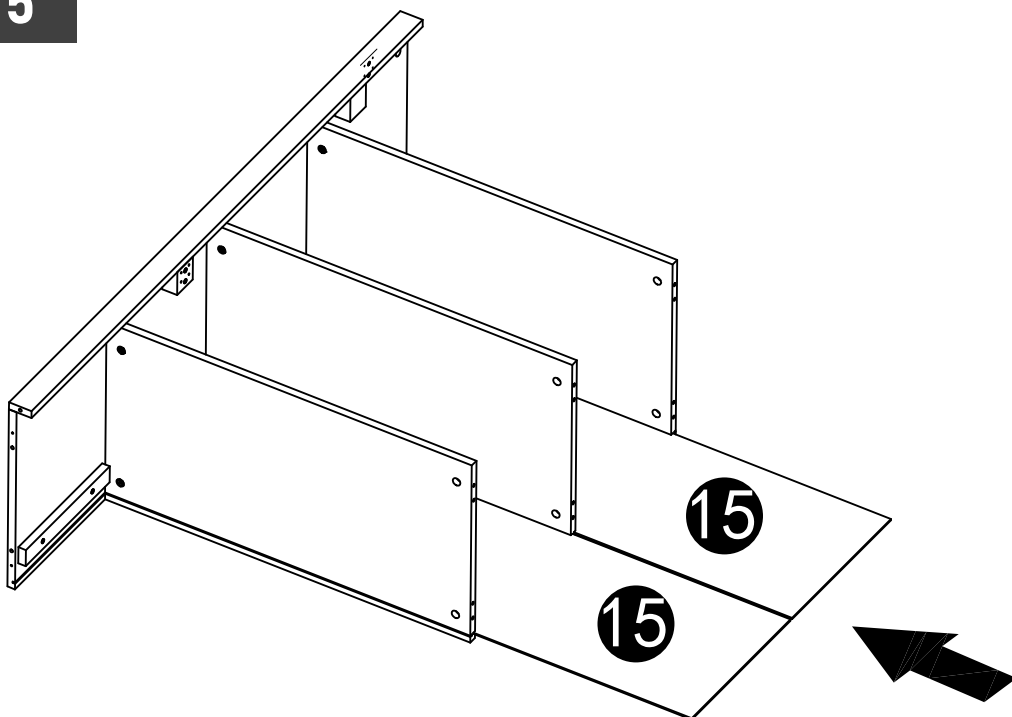
B*6



C*6



STEP 15



Assembly Instructions

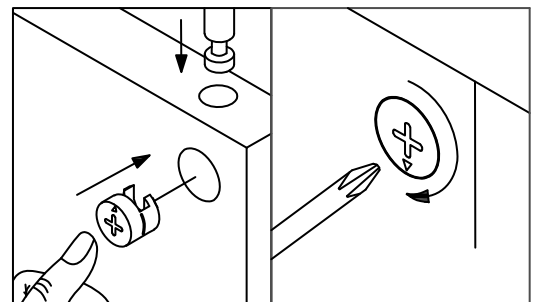
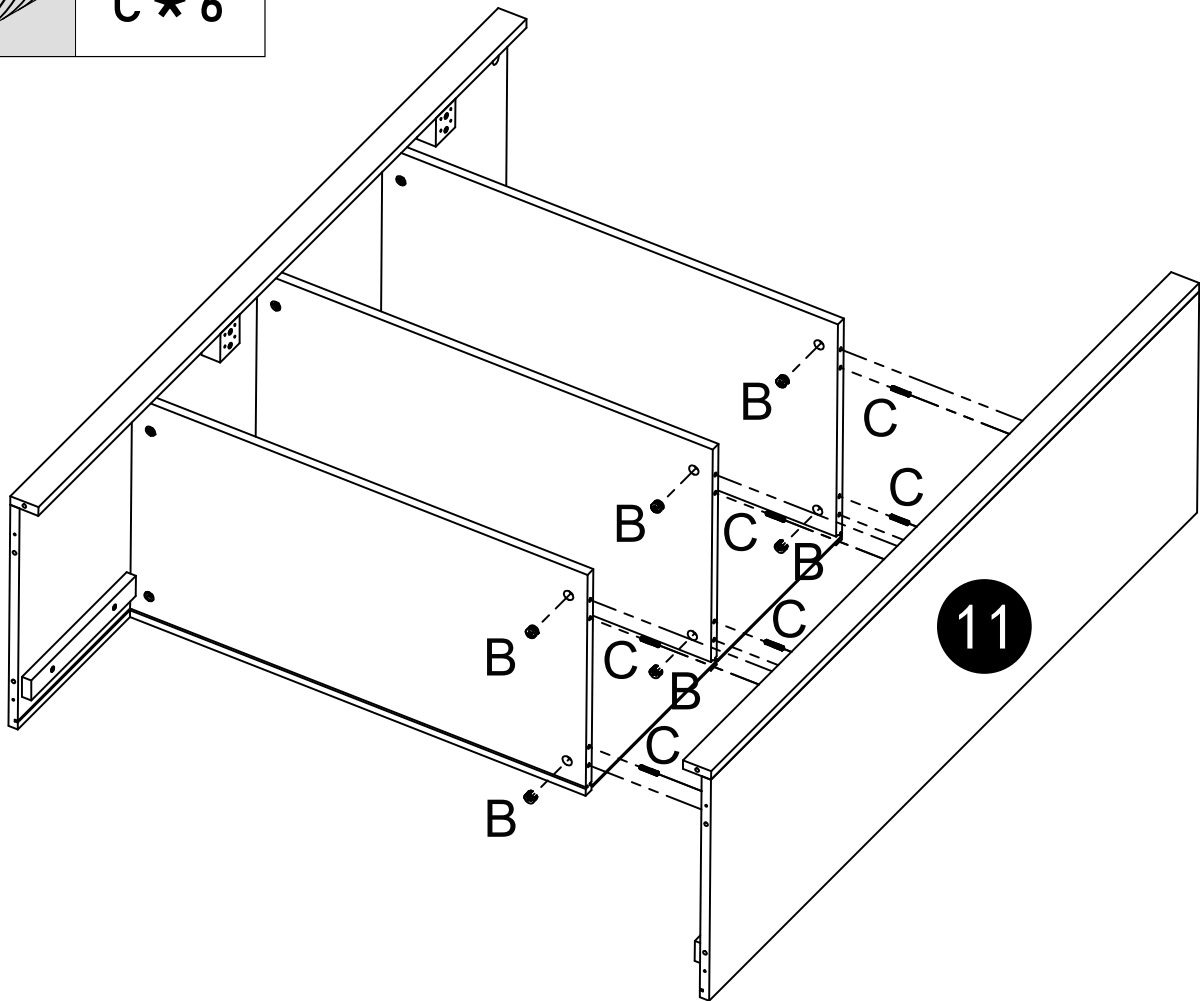
STEP 16



B * 6

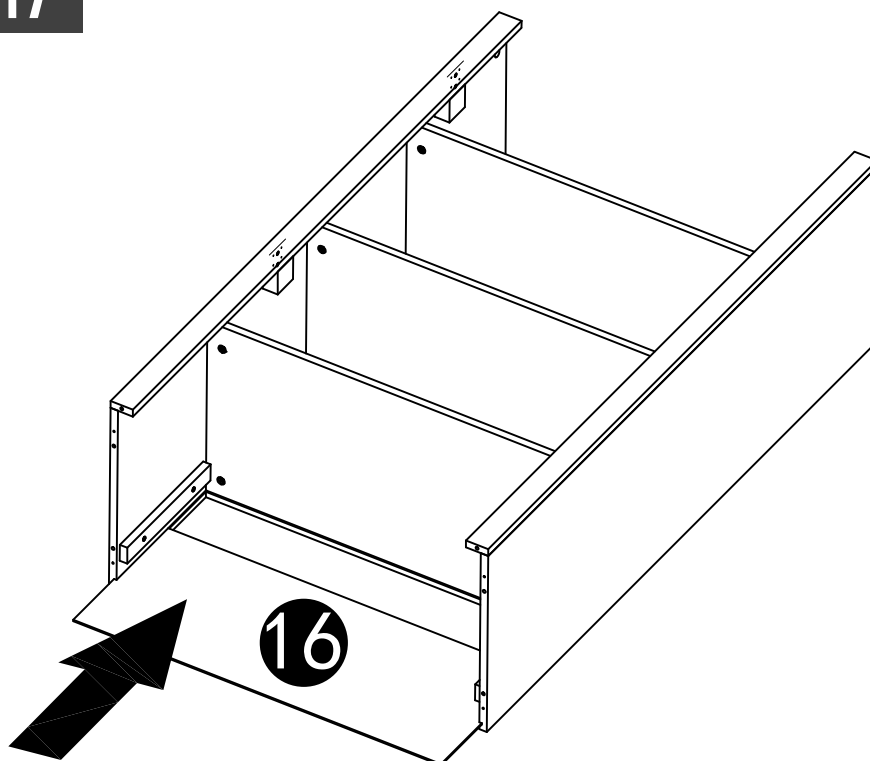


C * 6

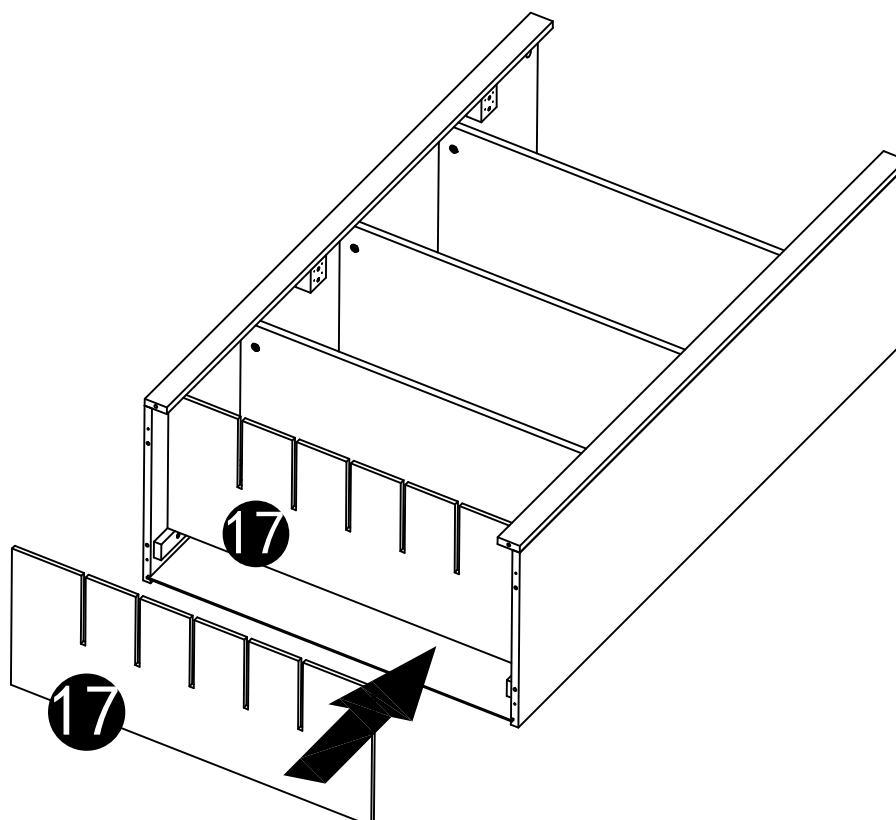


Assembly Instructions

STEP 17

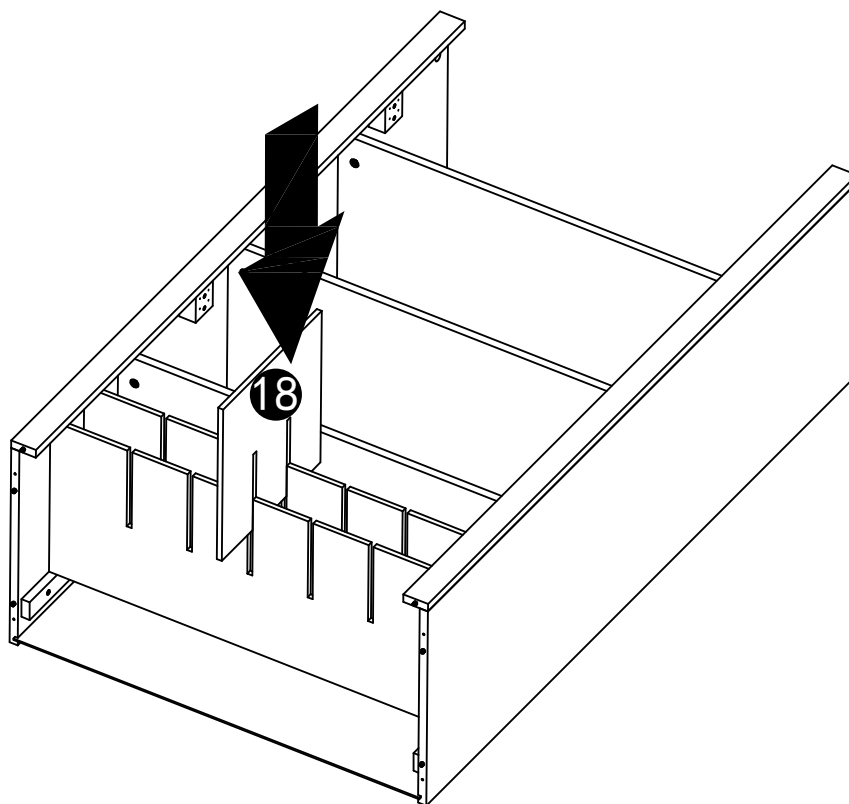


STEP 18

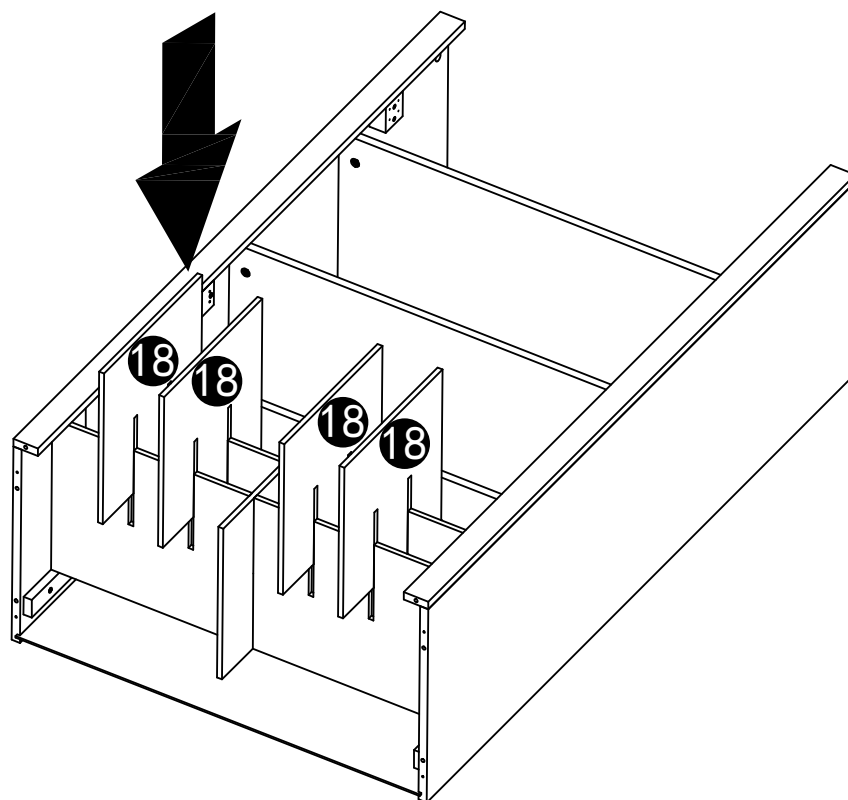


Assembly Instructions

STEP 19

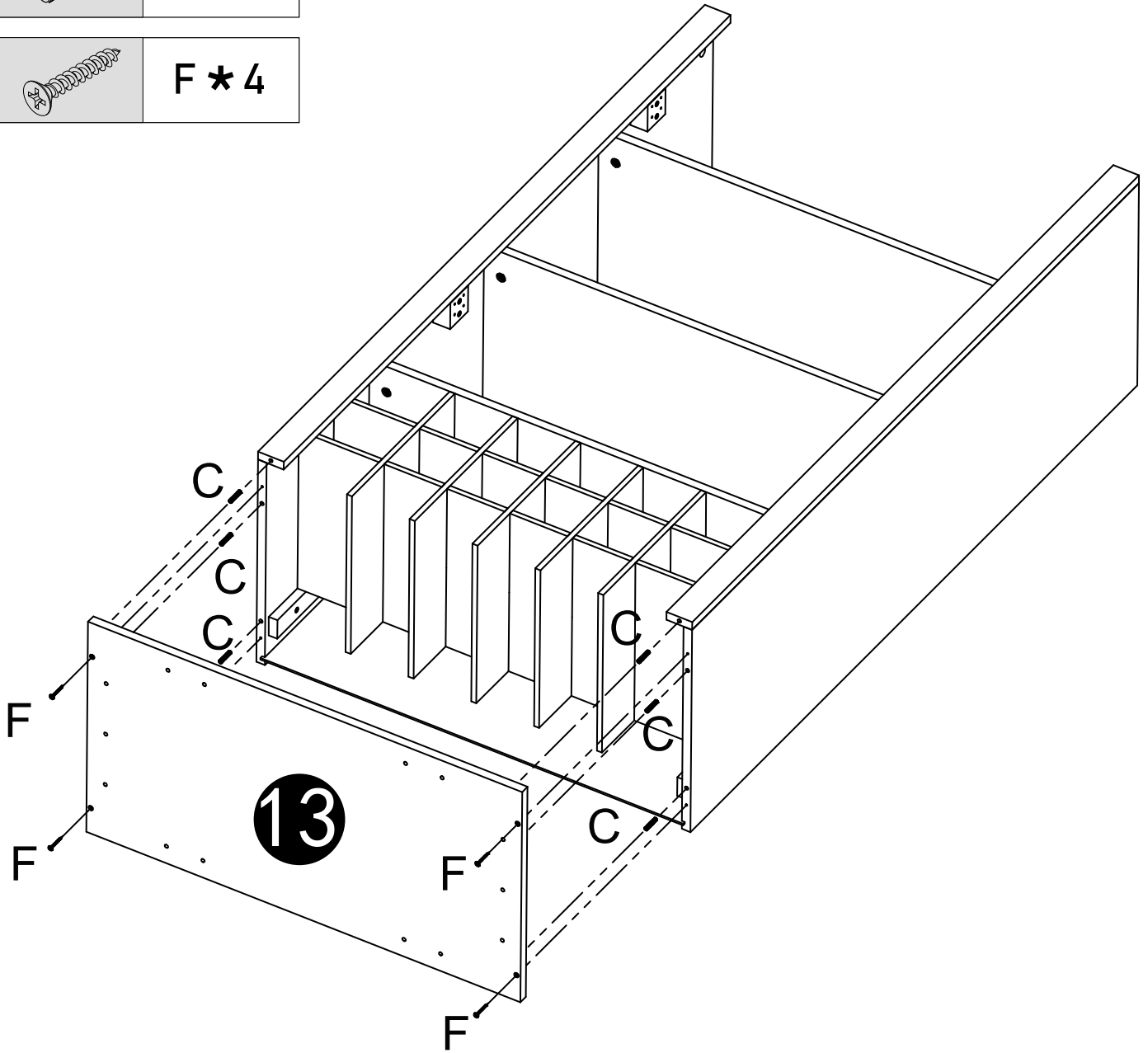
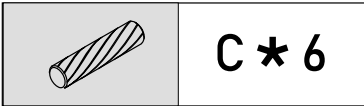


STEP 20



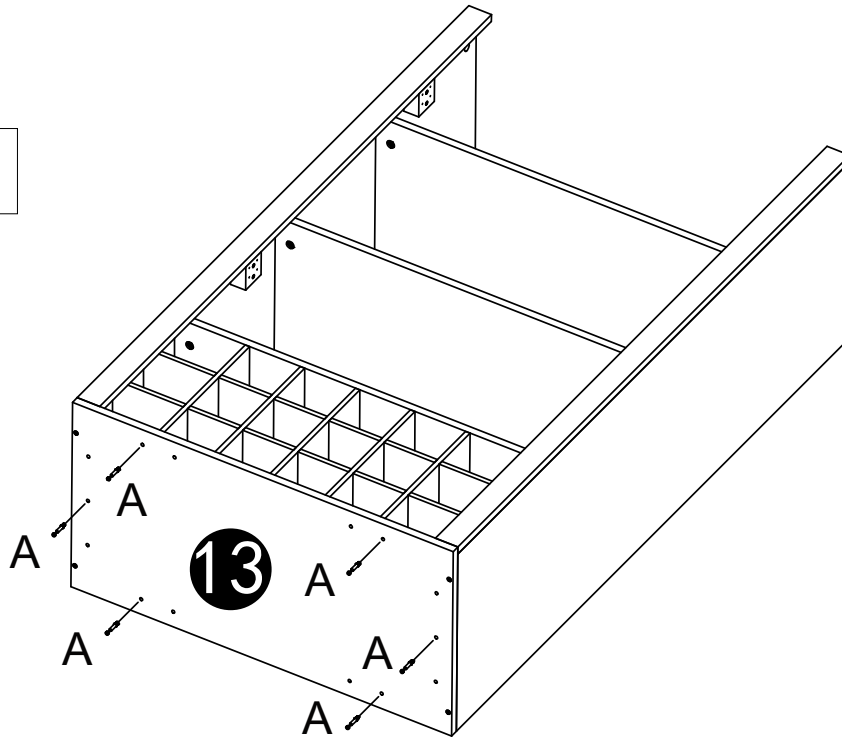
Assembly Instructions

STEP 21

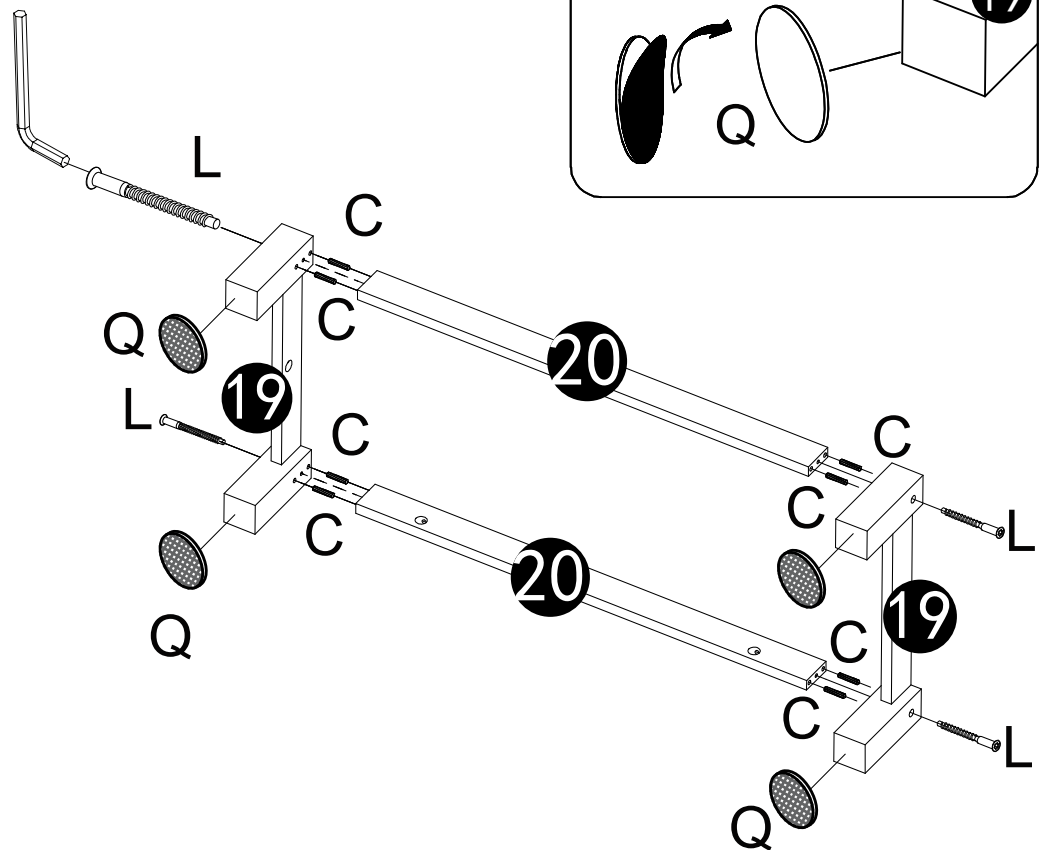
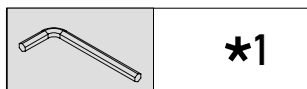
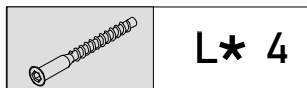
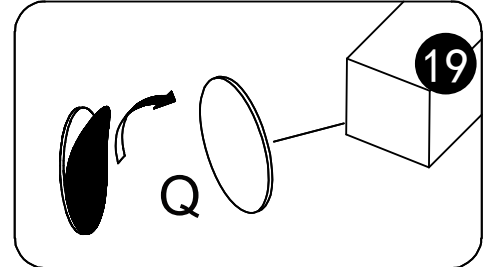


Assembly Instructions

STEP 22

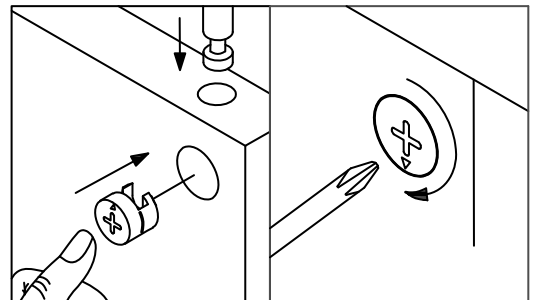
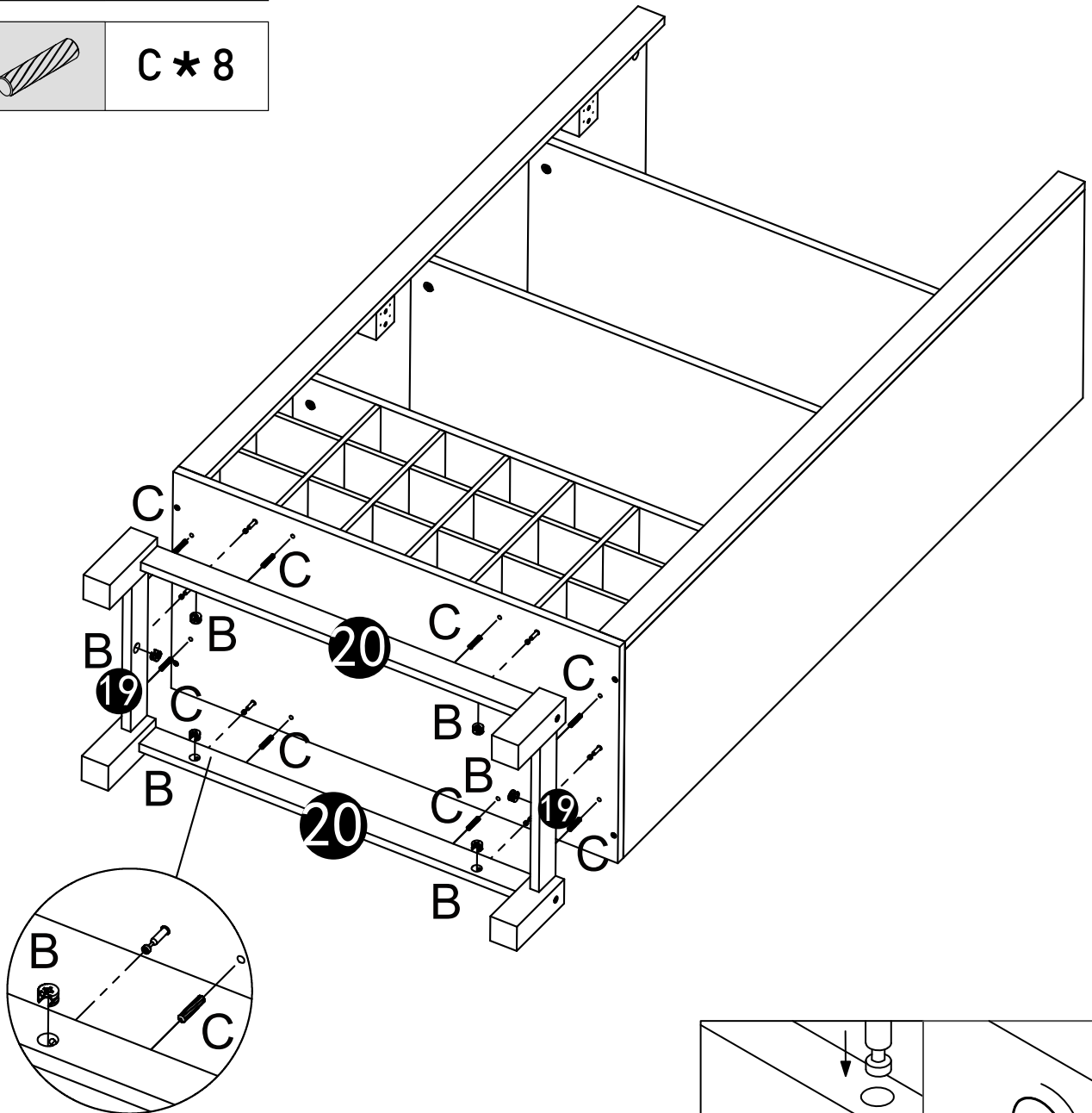
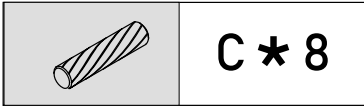


STEP 23



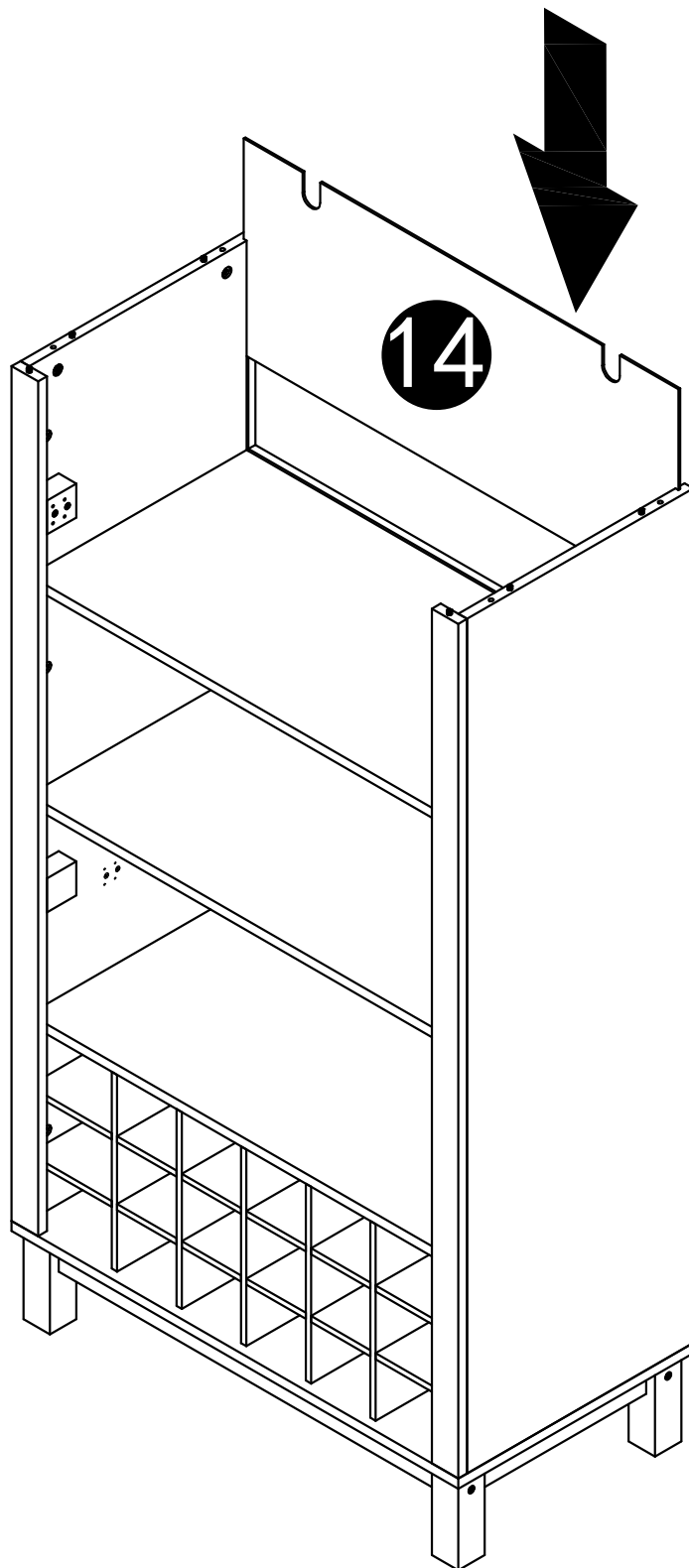
Assembly Instructions

STEP 24



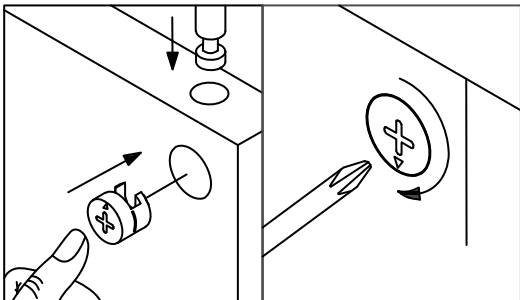
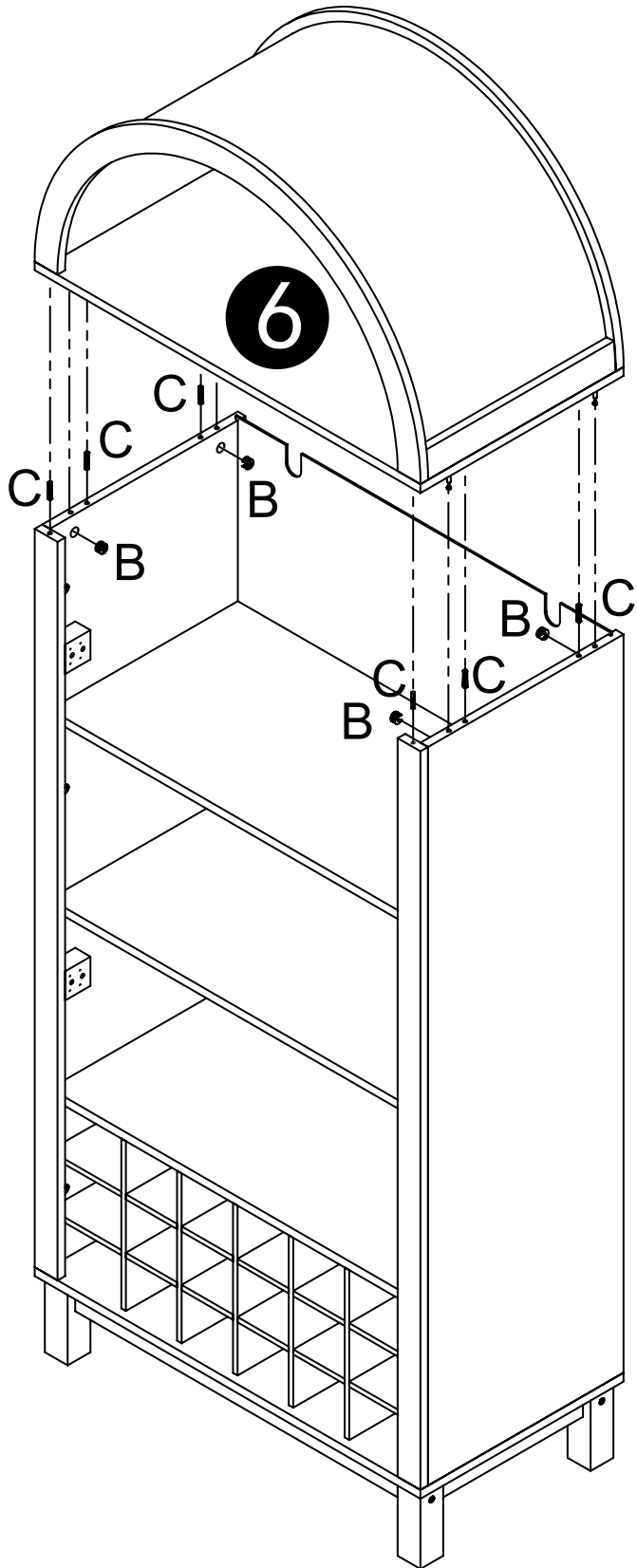
Assembly Instructions

STEP 25



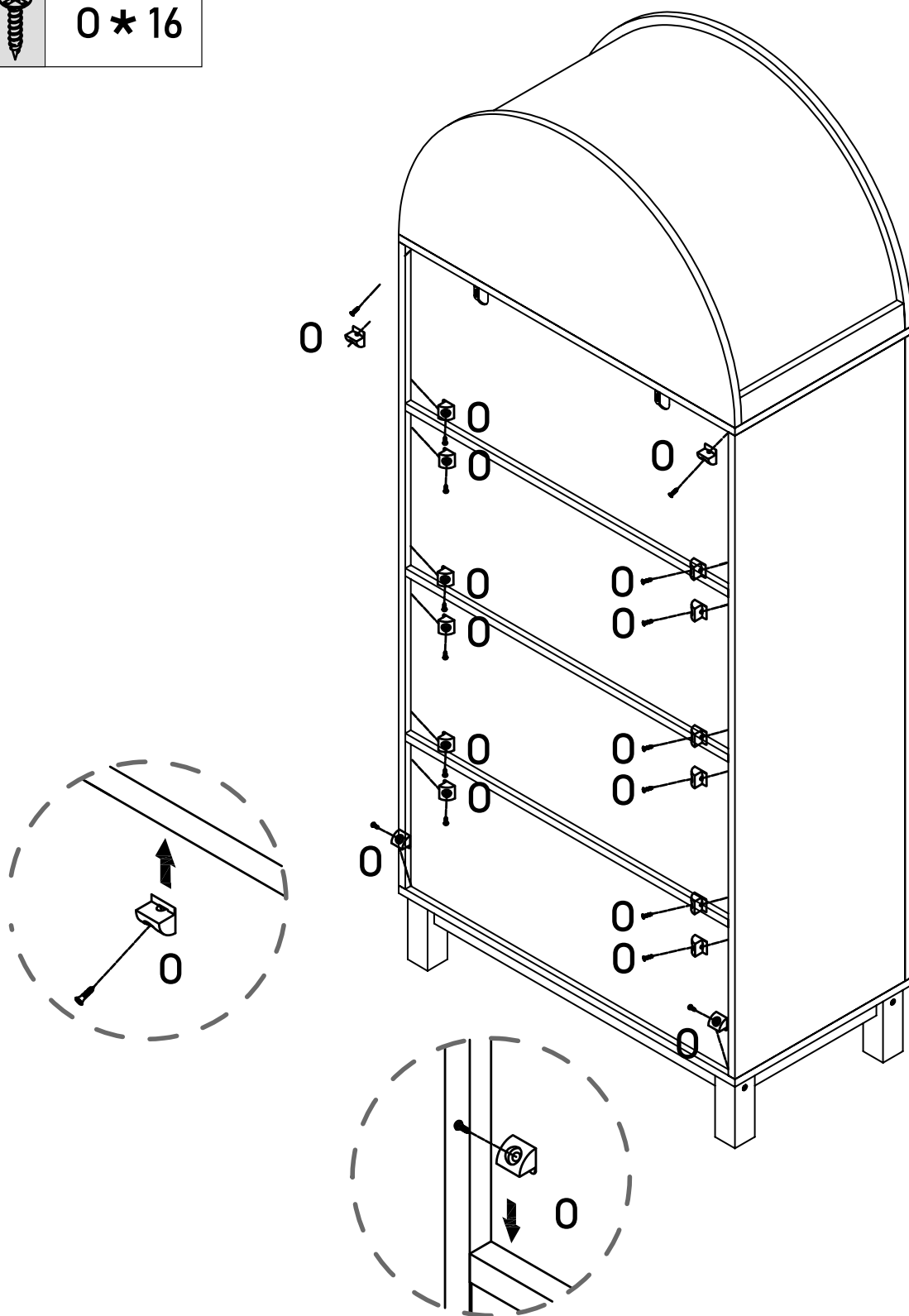
Assembly Instructions

STEP 26



Assembly Instructions

STEP 27

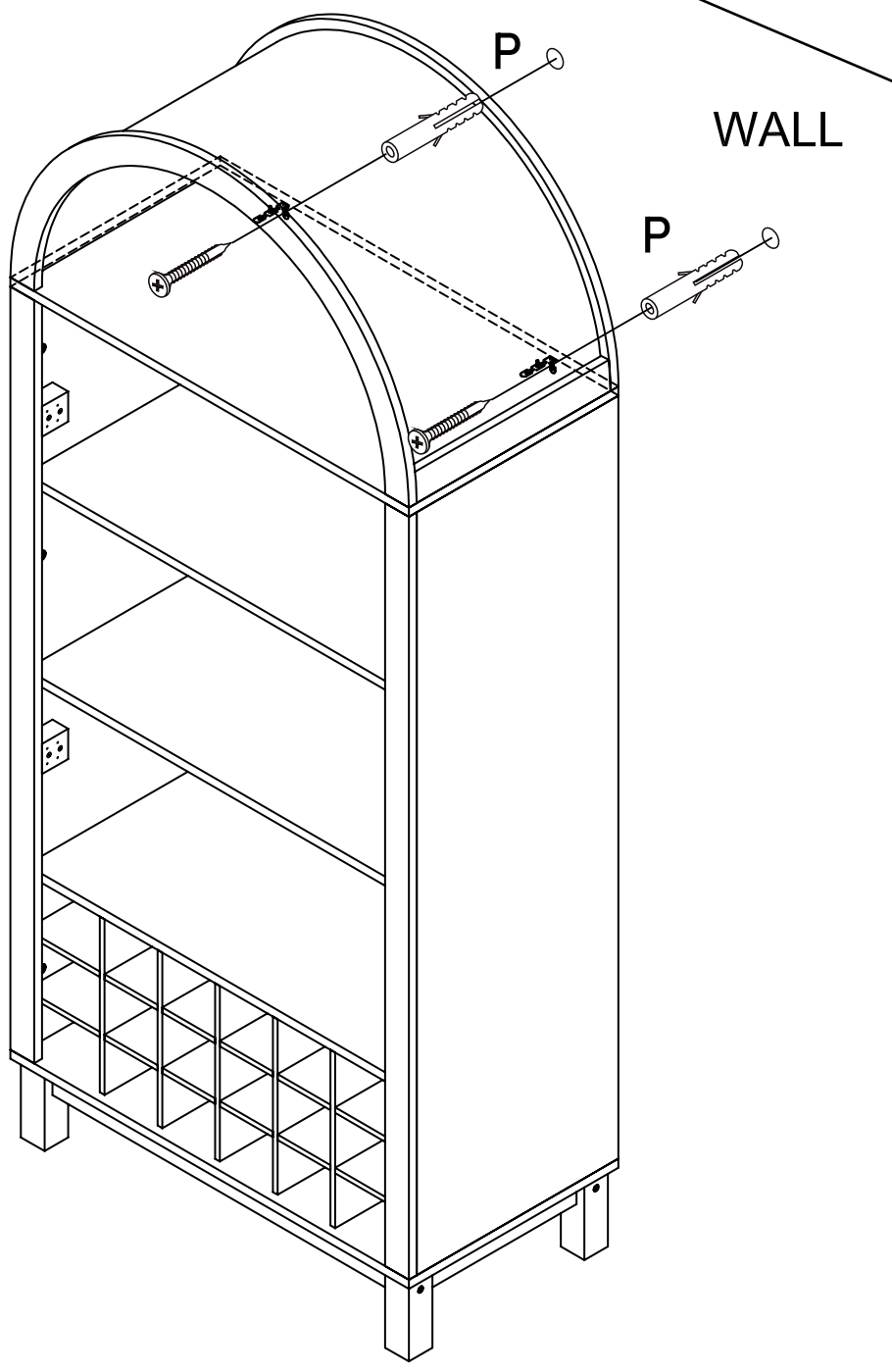


Assembly Instructions

STEP 28

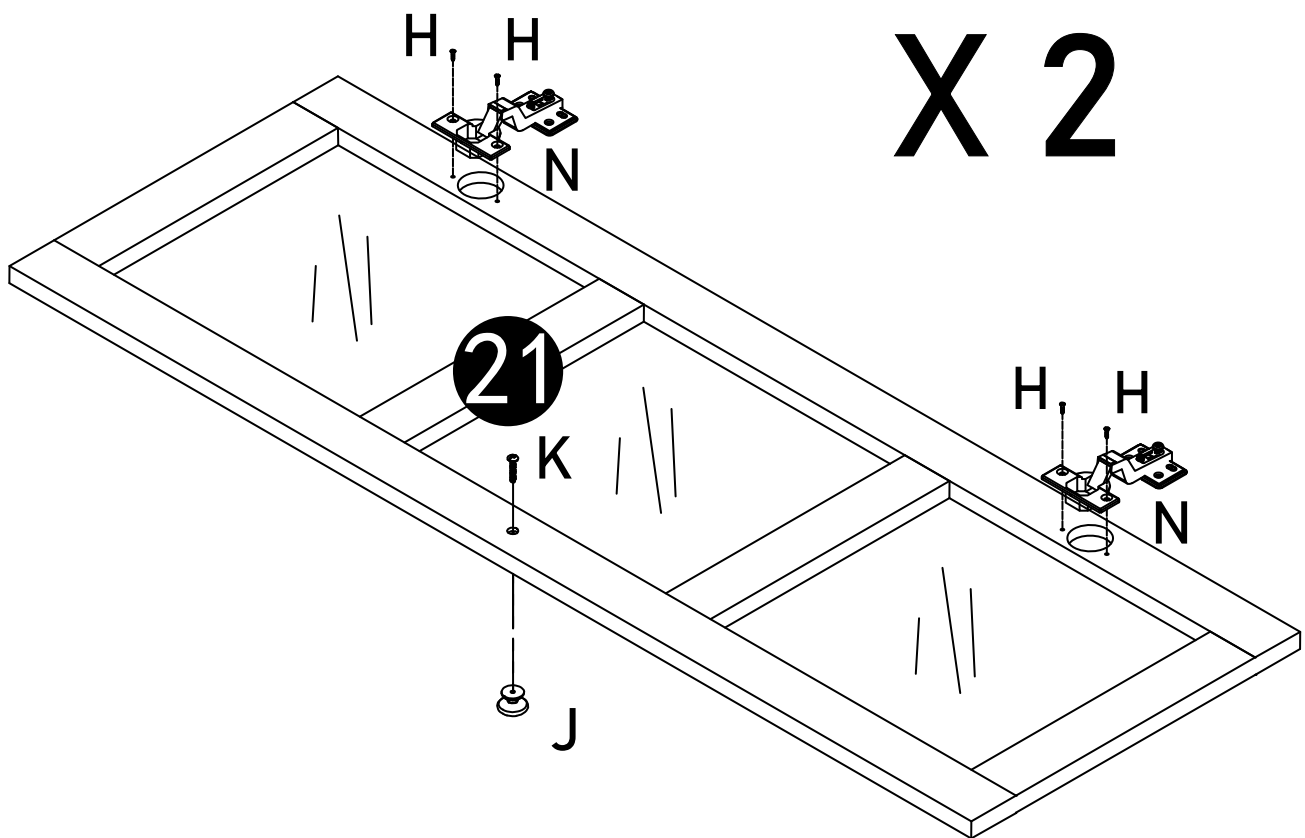


P * 2



Assembly Instructions

STEP 29

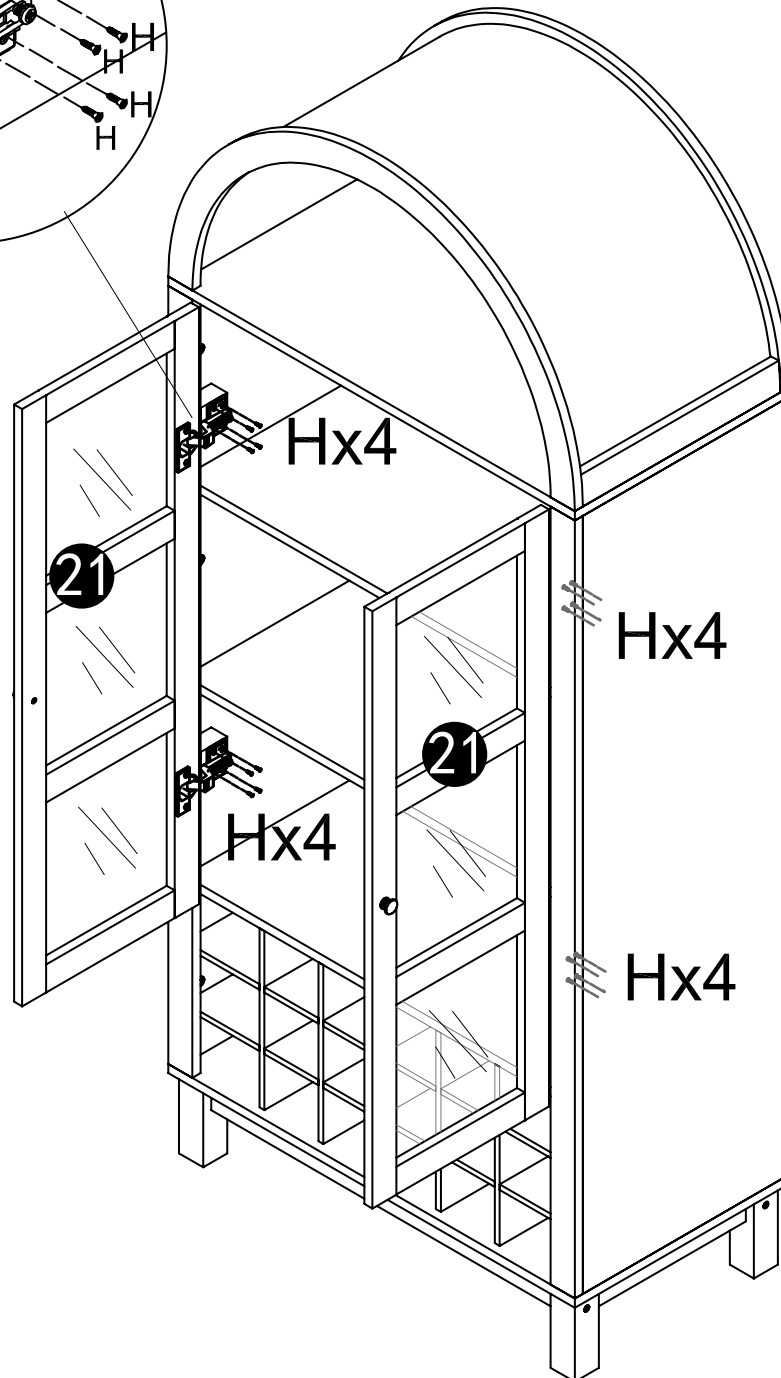
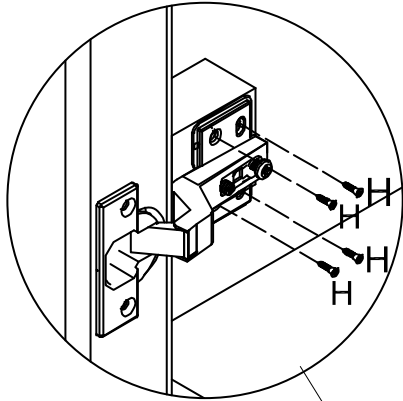


Assembly Instructions

STEP 30

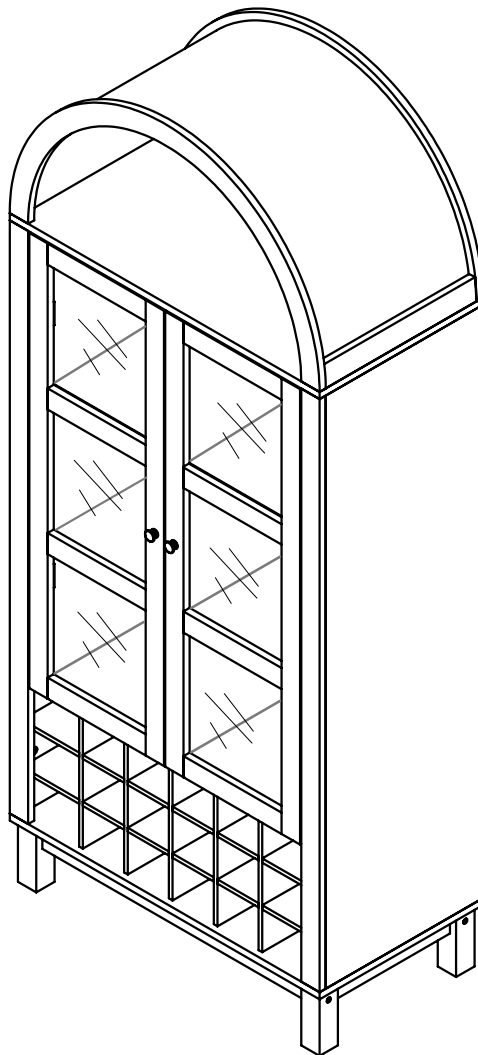


H* 16



Adjust the door gap by adjusting the hinges.
Please refer to the instructions at the end of the manual.

PRODUCT ASSEMBLY



Final Check

1. Ensure all screws are tightened.
2. Verify that all panels are securely fitted.
3. Clean any dust or debris from the assembly process.

Your sideboard cabinet is now successfully assembled and ready for use! We hope you enjoy your new sideboard cabinet! If you're happy with the result, we'd love to see how it looks in your space. Share a photo of your setup and inspire others with your creativity. Your experience help us continue improving our products!

HINGE ADJUSTMENT GUIDE

EN It may be necessary to adjust the hinges so that the doors align. Use the instructions below as a guide.

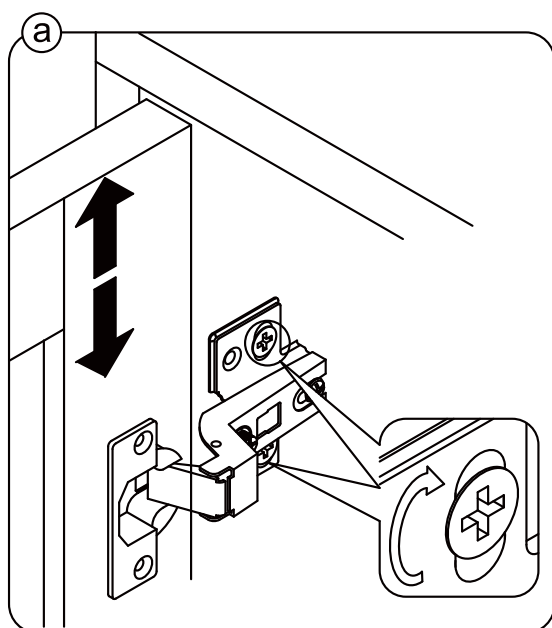
FR Il est parfois nécessaire d'ajuster les charnières pour un meilleur alignement des portes. Servez-vous des instructions ci-dessous comme guide.

ES Puede que sea necesario ajustar los quicios de forma que se alineen las puertas. Use las instrucciones que aparecen debajo como guía.

PT Pode ser necessário ajustar as dobradiças para que as portas fiquem alinhadas. Utilizar as instruções abaixo como guia.

DE Möglicherweise müssen Sie die Scharniere so einstellen, dass die Türen ausgerichtet sind. Verwenden Sie die nachstehenden Anweisungen als Leitfaden.

IT Potrebbe essere necessario regolare le cerniere in modo che le porte siano allineate. Per fare ciò attenersi alle istruzioni sottostanti.



EN To adjust the door vertically loosen the screw as shown and move up and down as needed.

FR Si vous souhaitez régler la porte verticalement, desserrez la vis comme indiqué et déplacez la porte de haut en bas selon les besoins.

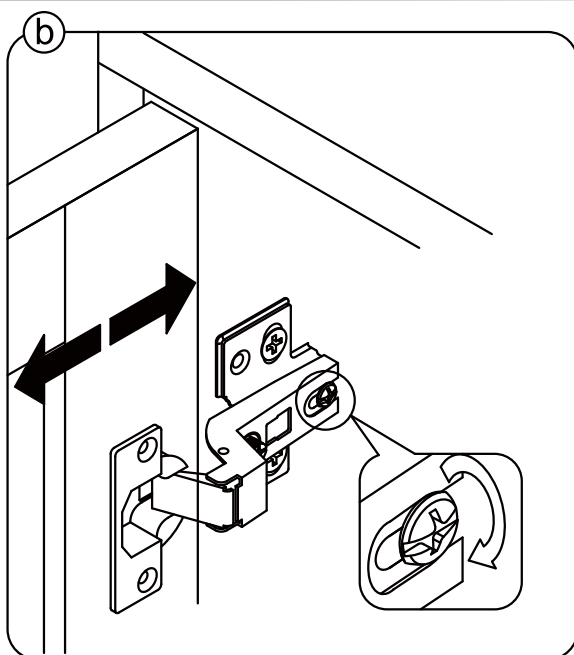
ES Para ajustar la puerta verticalmente afloje el tornillo tal y como se muestra y muévelo hacia arriba o hacia abajo según sea necesario.

PT Para ajustar a porta na vertical, soltar o parafuso mostrado e mover-se para cima e para baixo, conforme necessário.

DE Um die Tür vertikal auszurichten, lösen Sie die Schraube wie abgebildet und bewegen Sie sie nach Bedarf nach oben oder nach unten.

IT Per allineare la porta verticalmente allentare la vite come mostrato e spostarla in alto o in basso secondo necessità.

HINGE ADJUSTMENT GUIDE



EN_To adjust the gap from the door to the main frame turn the screw clockwise or anti-clockwise as needed.

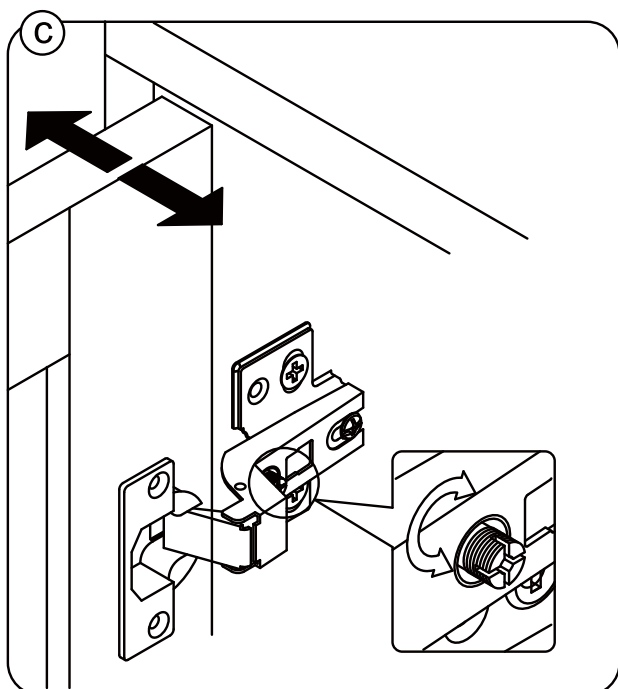
FR_Si vous souhaitez ajuster l'écart entre la porte et le cadre principal, tournez la vis dans le sens des aiguilles d'une montre ou dans le sens inverse, si nécessaire.

ES_Para ajustar el espacio desde la puerta al marco principal, gire el tornillo en sentido horario o antihorario, según se necesite.

PT_Para ajustar o espaço entre a porta e o quadro principal, rode o parafuso no sentido dos ponteiros do relógio ou anti-horário, conforme necessário,

DE_Um den Abstand von der Tür zum Hauptrahmen auszurichten, drehen Sie die Schraube je nach Bedarf im oder gegen den Uhrzeigersinn.

IT_Per regolare lo spazio tra la porta e il telaio principale, avvitare o svitare la vite secondo necessità.



EN_To adjust the door laterally adjust the screw as shown by turning clockwise or anti-clockwise.

FR_Si vous souhaitez ajuster la porte latéralement, ajustez la vis comme indiqué en tournant dans le sens des aiguilles d'une montre ou dans le sens inverse des aiguilles d'une montre.

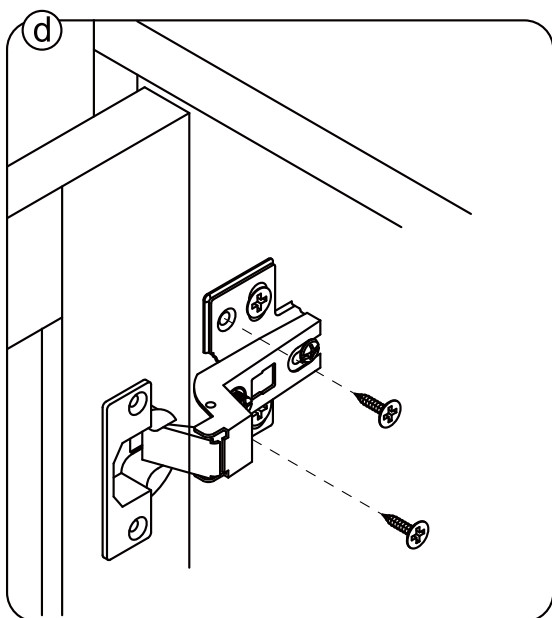
ES_Para ajustar la puerta lateralmente ajuste el tornillo tal y como se muestra girándolo en sentido horario y anti-horario.

HINGE ADJUSTMENT GUIDE

PT_Para ajustar a porta lateralmente ajustar o parafuso, conforme indicado,rodando no sentido dos ponteiros do relógio ou no sentido anti-horario.

DE_Um die Tür seitlich auszurichten,stellen Sie bitte die Schraube wie abgebildet durch Drehen im oder gegen den Uhrzeigersinn ein.

IT_Per allineare la porta lateralmente regolare la vite come mostrato, avvitandola o svitandola.



EN_Please fx other screws.

FR_Merci de serrer les autres vis.

ES_Fije los demás tornillos.

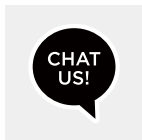
PT_Por favor fixe os outros parafusos.

DE_Befestigen Sie bitte die anderen Schrauben.

IT_Fissare le altre viti.

HELP CENTER

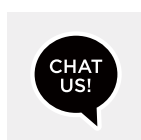
Question about your product? We're here to help. Visit us at:



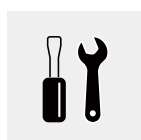
Chat Support



Product inquiry



Orders FAQ



Product Assembly



Returns & Refunds

WE STAND BEHIND THE QUALITY OF OUR FURNITURE

1. If you have any issues with your item, please let us know! We will always do our best to come up with a solution that you will be happy with.
2. Please get in touch with our customer service team before returning the product.
3. And please do not throw away the original box(es) if you have not finished assembling and confirmed no quality issues.

Length of return period:

You can return items within 30 days of purchase. In the meanwhile, everything you purchased from us comes with a one-year warranty.

Who is responsible for the return shipping fee:

We will cover the return shipping fees if:

1. Your item has a manufacturing defect in materials or workmanship. For example, torn wicker or misaligned screw holes. We will send you a prepaid shipping label after you send us photos or videos of the defect.
2. Your item has been damaged in transit. For example, glass is broken or product is damaged. We will send you a prepaid shipping label after you send us photos of the damage.
3. You receive the wrong box(es) due to a warehouse error. We will send you a prepaid shipping label after you send us photos of the wrong SKU numbers on the outer box(es).
4. One or more boxes are lost in transit. We will send you a prepaid shipping label if you no longer want the item.

* However, we still hope to work with you for a better solution instead of a return. Please don't hesitate to contact our customer service team.

Customer will cover the return shipping fees if:

- 1.You don't like the product(s) after receiving the box(es).
- 2.You no longer need the product(s) but have received the box(es).
- 3.You buy the product(s) by mistake but have received the box(es).
- 4.Order/shipment cancellation failed, and you have received the box(es).

Return Request

In order to get a full refund as described in this return policy, all items must be:

- 1.In a brand new/unused condition.

Please provide photos before and after packaging.

- 2.When returning, all accessories and parts must be firmly packed in all original packaging. If your return does not meet these requirements, you may not receive a full refund.

When will I be refunded?

The refund is issued once the goods have been returned to our warehouse.

What if the product is damaged/defective outside of the valid return period?

We want you to be a happy customer. Please reach out to us via email, and we will work on a solution to ensure your satisfaction.

After Sales Service

If any problem occurs, you can check the manual for troubleshooting in detail, or contact to our customer service on Amazon.

To contact authorized Amazon seller, please following steps:

Step1	Go to Your Orders. Find your order in the list.
Step2	Click "Ask a question". (Or go to the product detail page, select the name of the seller. On the next page, select "Ask a Question").
Step3	Select the product and tap "Other" options in the Seller Messaging Assistant chat.
Step4	Send the message to us for after-sales support.

We always work hard to serve you and provide you a better customer experience. Customer service:

Customer service: Wolfthontech1@gmail.com

Please attach follow purchase info in the message:

Order ID:

Model:

Purchase Date:

Buyer Name:

Please feel free to send us the text or email. We will reply to you within 24 hours. Also please feel free to contact us if you have received the defective items.

SAVE THESE INSTRUCTIONS