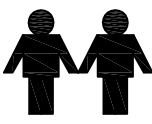
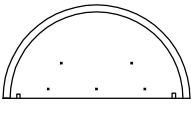
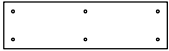
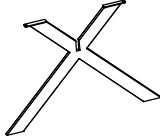
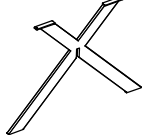



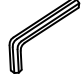






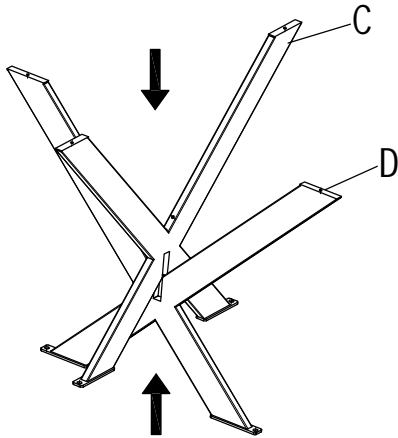


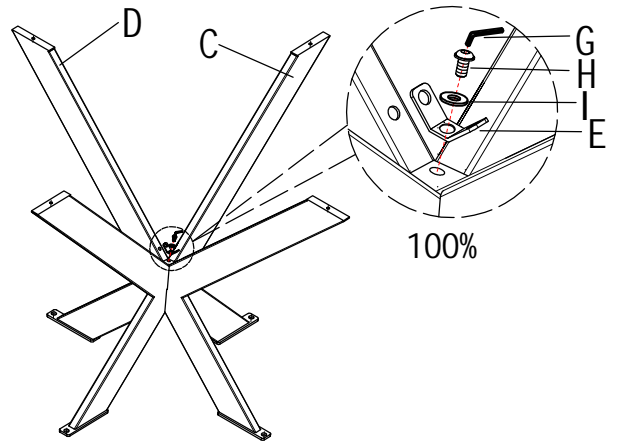
# ASSEMBLY INSTRUCTION

	 <p>A × 2pcs</p>	 <p>B × 1pc +Spare × 1</p>	 <p>C × 1pc</p>	 <p>D × 1pc +Spare × 1</p>
	 <p>E × 1pc</p>	 <p>F × 7pcs M8*20mm</p>	 <p>G × 1pc 6#</p>	 <p>H × 2pcs M8*12mm</p>
	 <p>I × 2pcs φ16/φ8*2</p>	 <p>J × 7pcs M8*30mm</p>	 <p>K × 1pc 5#</p>	 <p>L × 1pc</p>

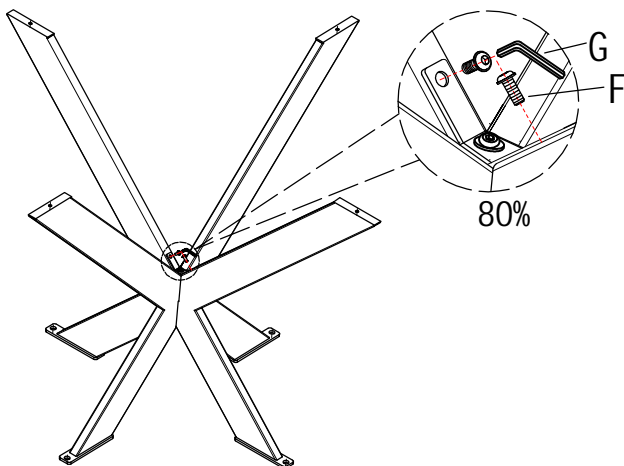
## STEP: 1



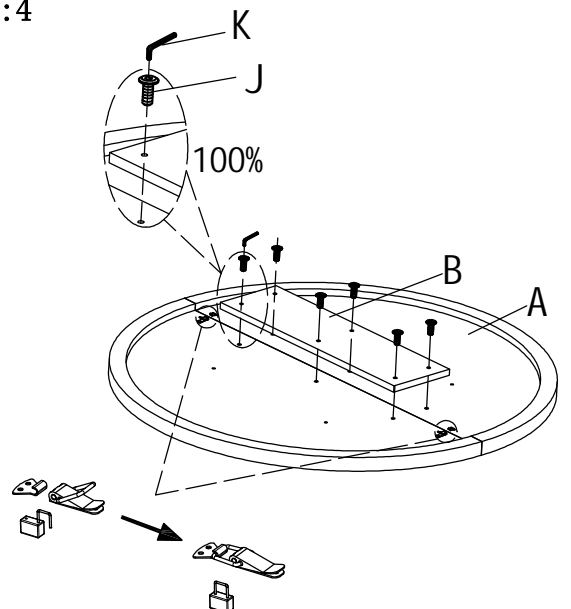
## STEP: 2



## STEP: 3

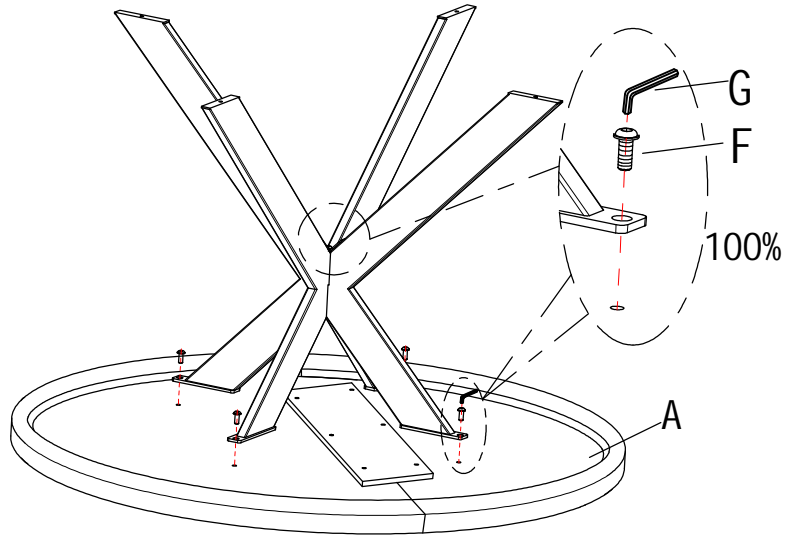


## STEP: 4



# ASSEMBLY INSTRUCTION

## STEP:5



## STEP:6

