



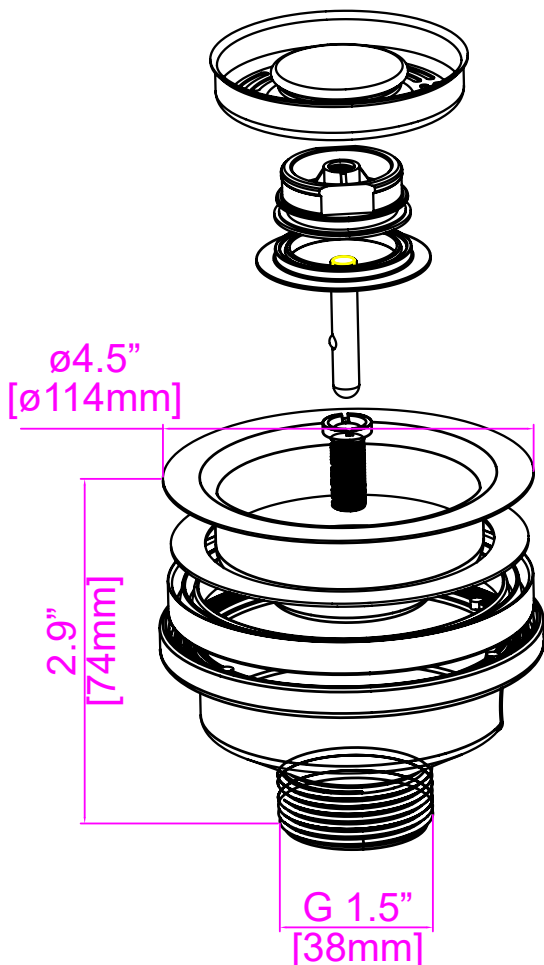
Dakota™
PLUMBING PRODUCTS
"Quality for Life"

Kitchen
Bath
Sinks
Faucets
Tubs
Toilets



DSA-PBS

PREMIUM BASKET STRAINER



Style:

- Simple Push/Pull Basket Stopper
- **STAINLESS STEEL VERSION**

Description:

- Premium 304 Stainless Steel Basket Strainer

Features:

- Basket Stopper
- Simple push/pull function
- Easy basket removal
- **Fits standard 3.5" drain openings**

Available Color/Finish:

- SS - Brushed Nickel
- SV - Silver
- GBK - Gunmetal Black
- CP - Copper
- GD - Gold



SS Brushed Nickel (stainless steel) SV Silver GBK Gunmetal Black CP Copper GD Gold

Actual color may vary dependant on lighting.

Applies to Models:

- DSA-PBSSS
- DSA-PBSSV
- DSA-PBSGBK
- DSA-PBSCP
- DSA-PBSGD

⚠ This item may already be included with your Signature Brand Stainless Steel Sink.

Warranty:

- Lifetime Limited Warranty

Available Accessories:

- Extension Ferrule..... **DSA-BSLS**

