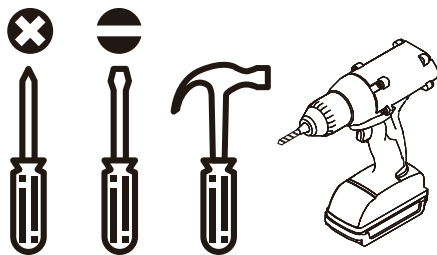
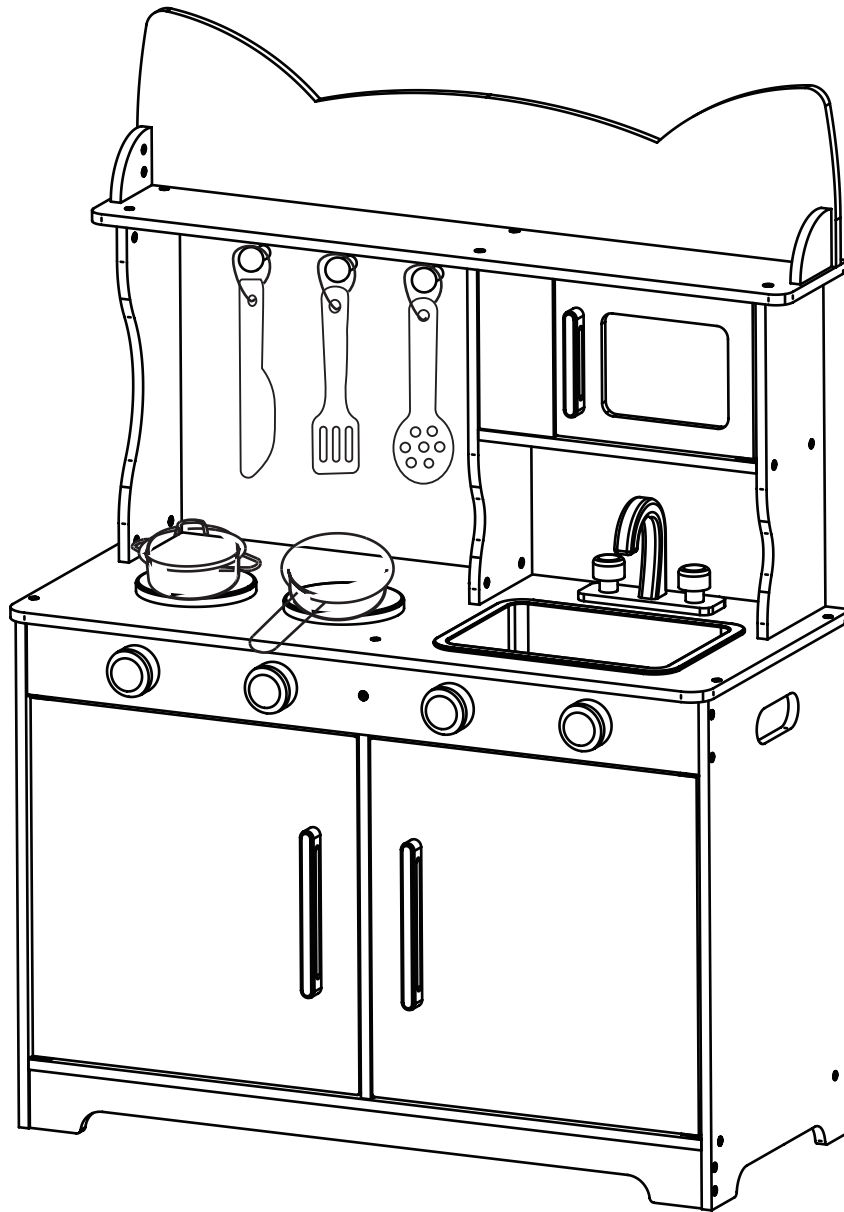


I87011131A1/A2

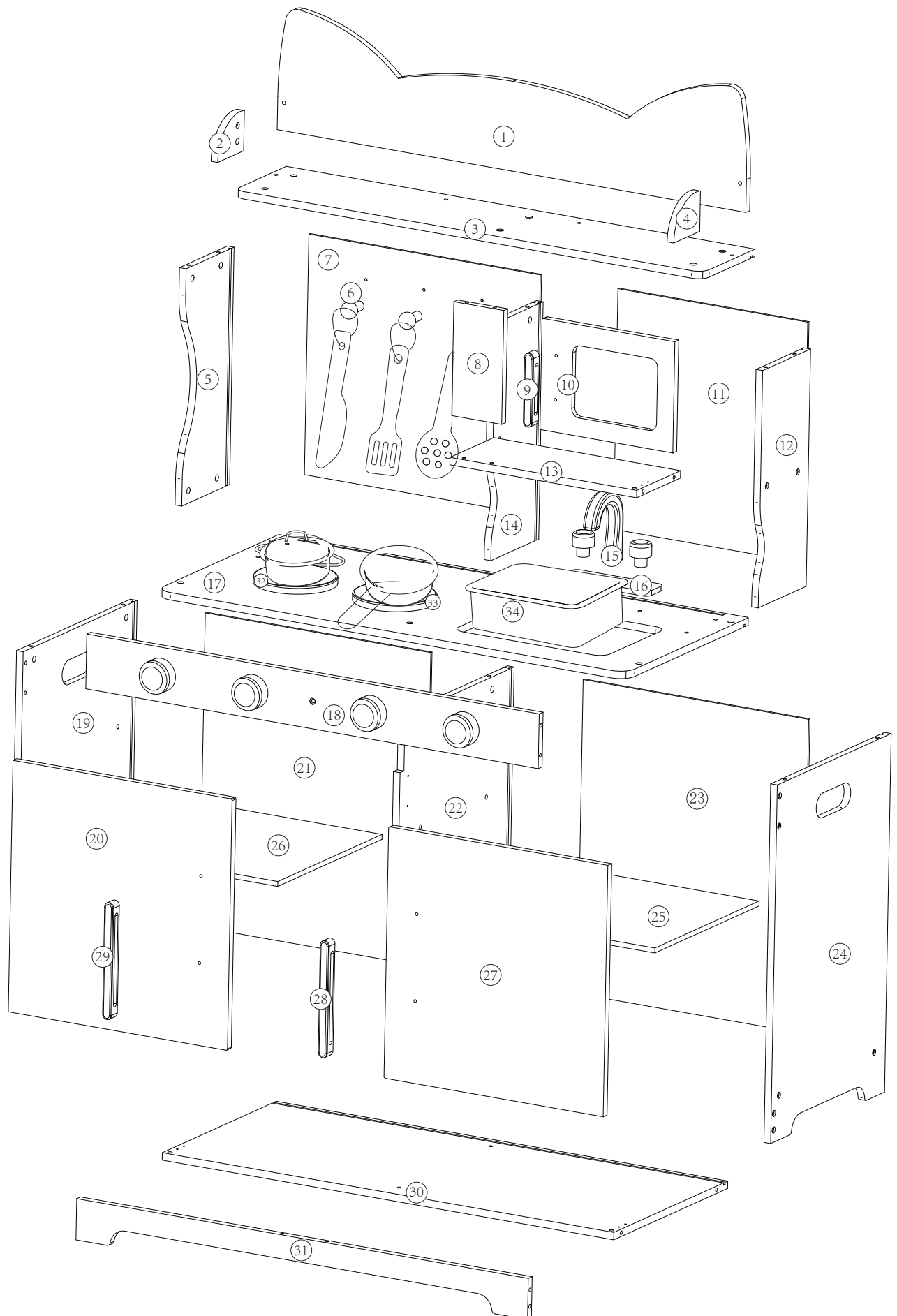


Tools required
(not included)





2 people for assembly

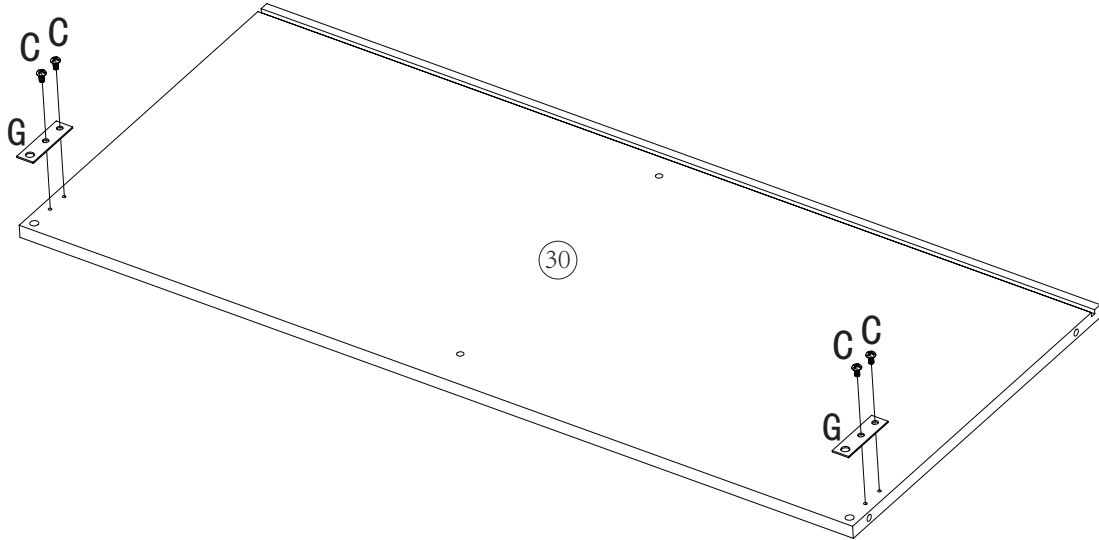
PRODUCT ASSEMBLY





PRODUCT ASSEMBLY

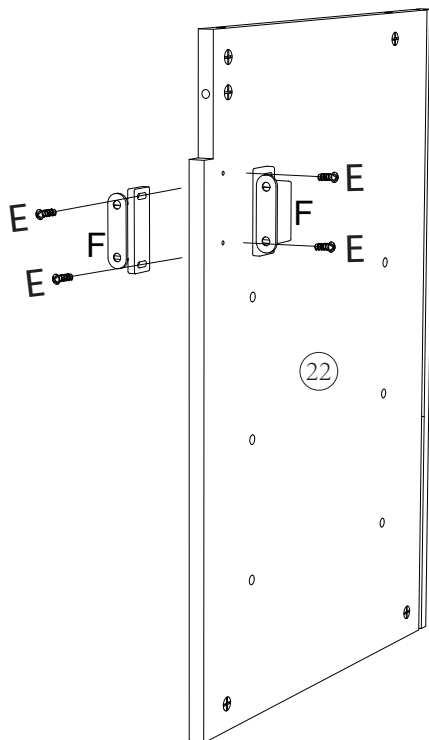
Step 1

C		4 PCS
G		2 PCS



Step 2

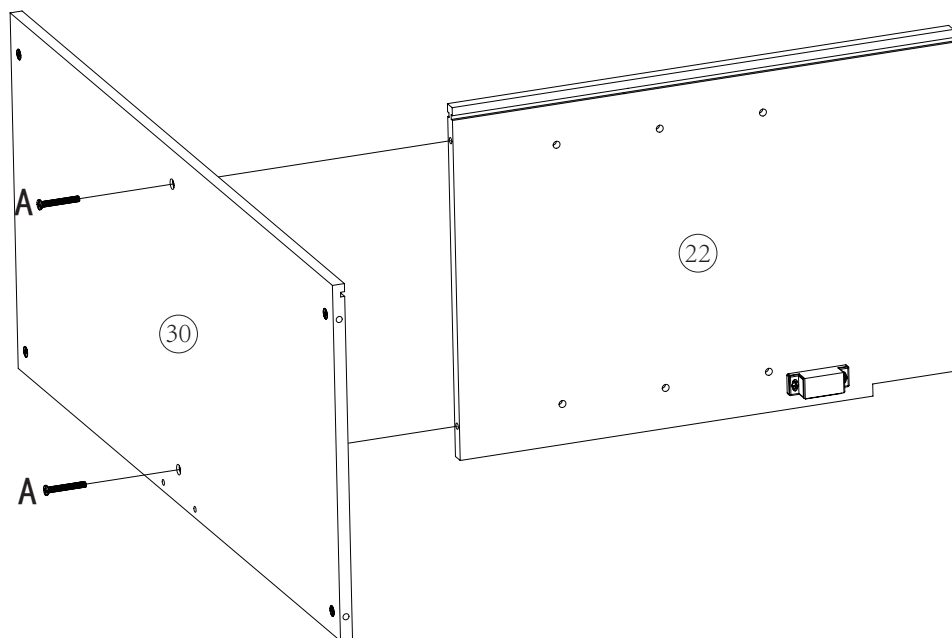
F		2 PC
E		4 PCS



PRODUCT ASSEMBLY

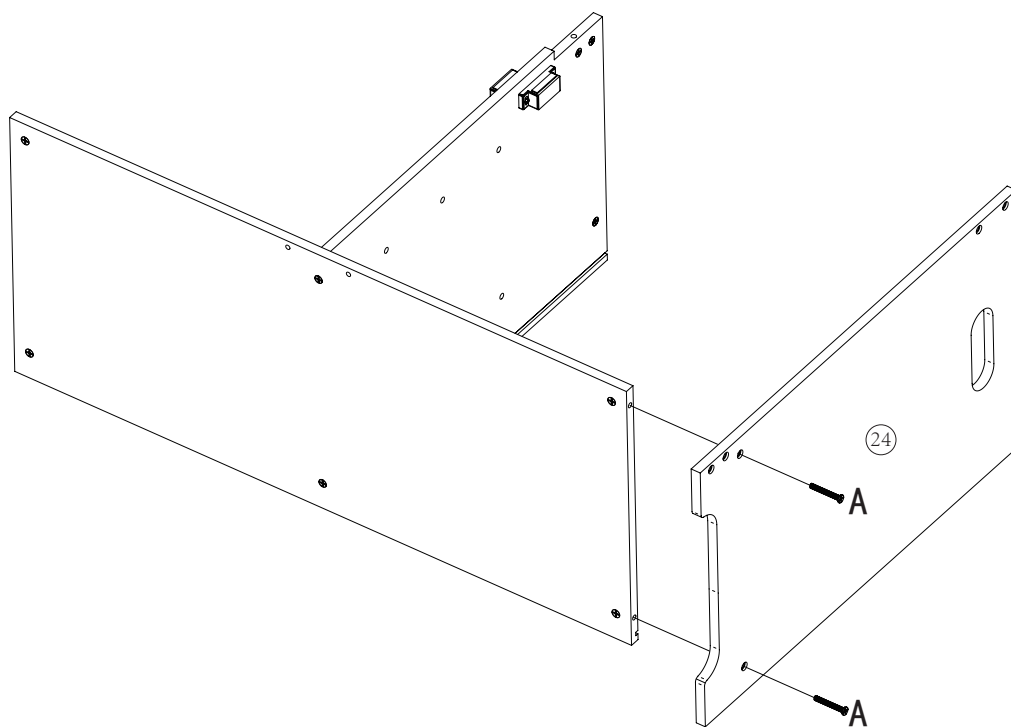
Step 3

A  2 PCS



Step 4

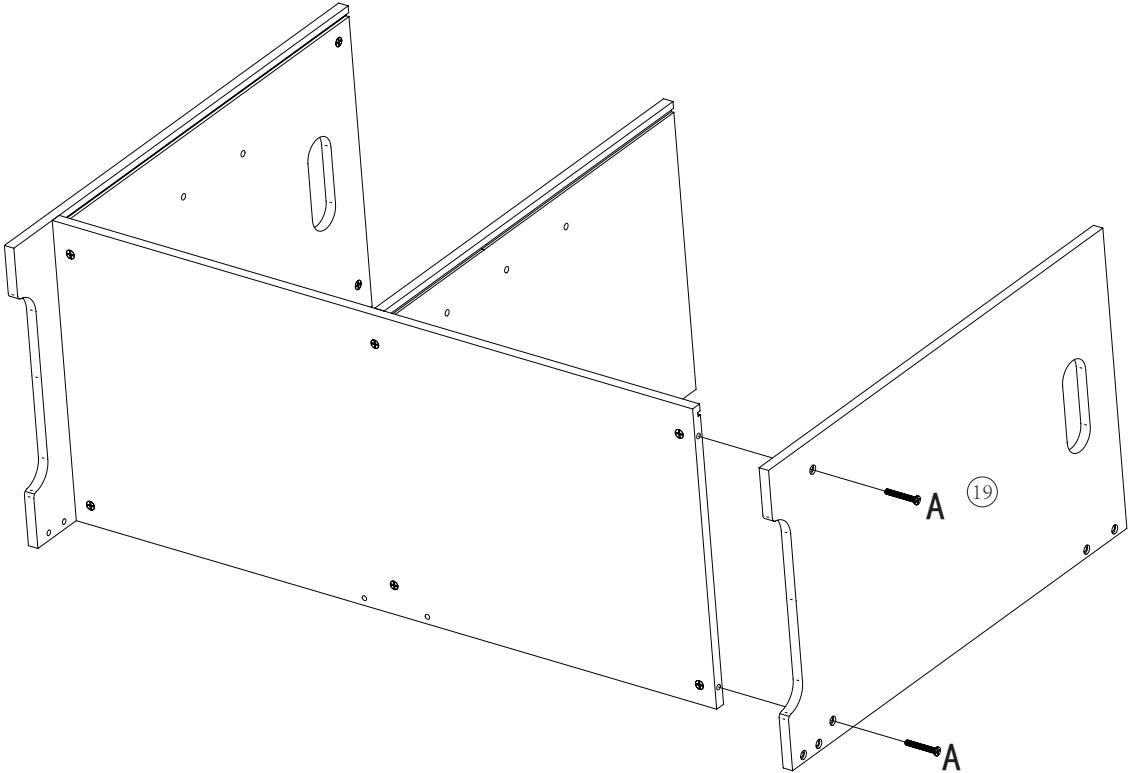
A  2 PCS



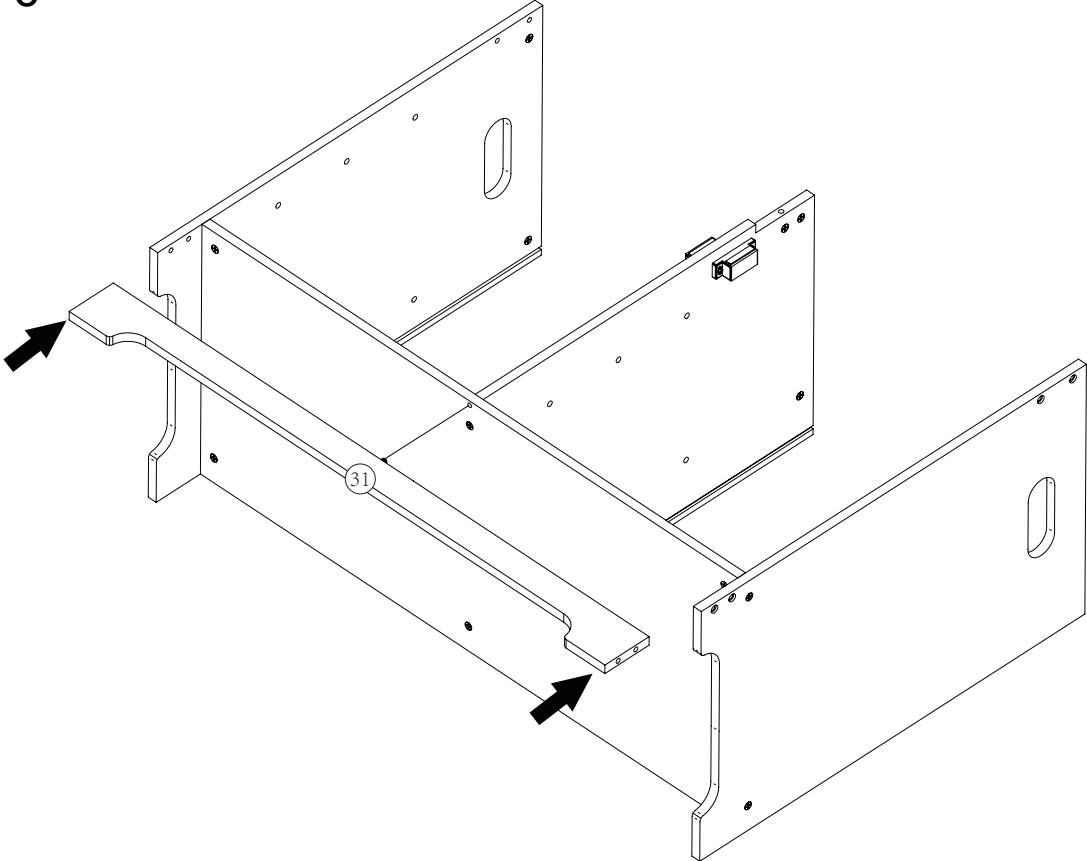
PRODUCT ASSEMBLY

Step 5

A		2 PCS
---	---	-------



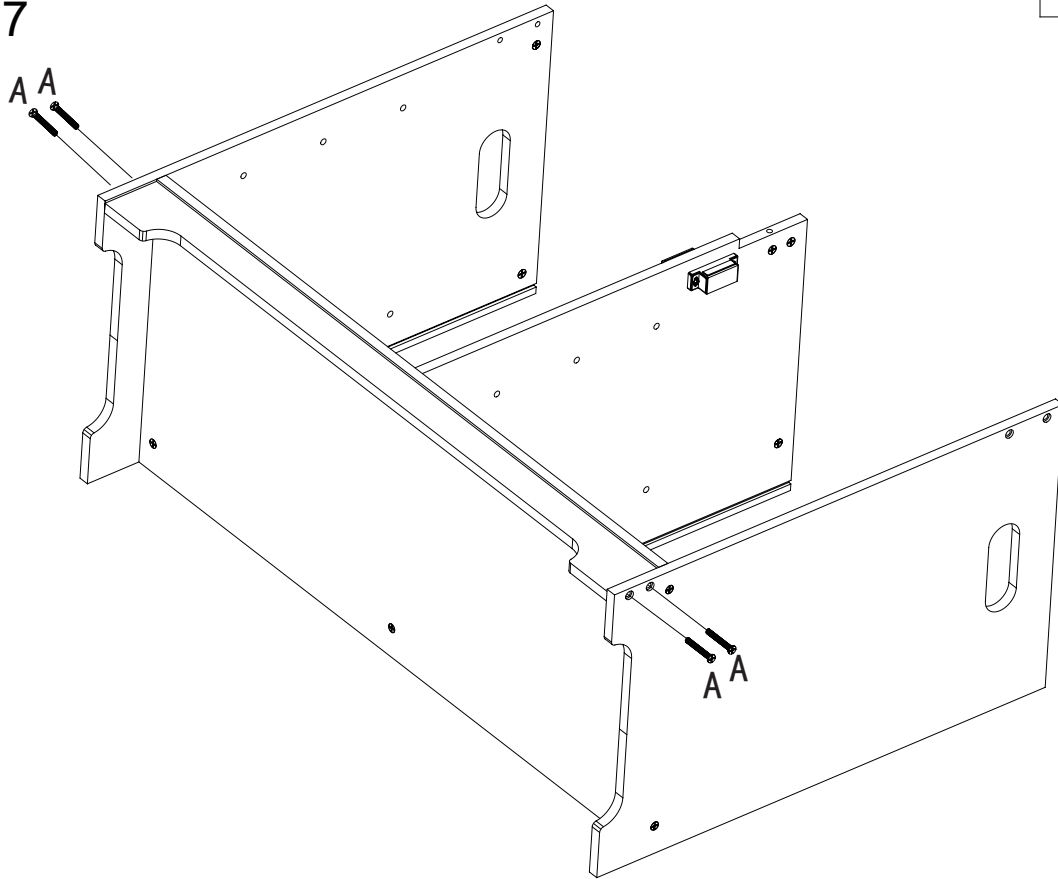
Step 6



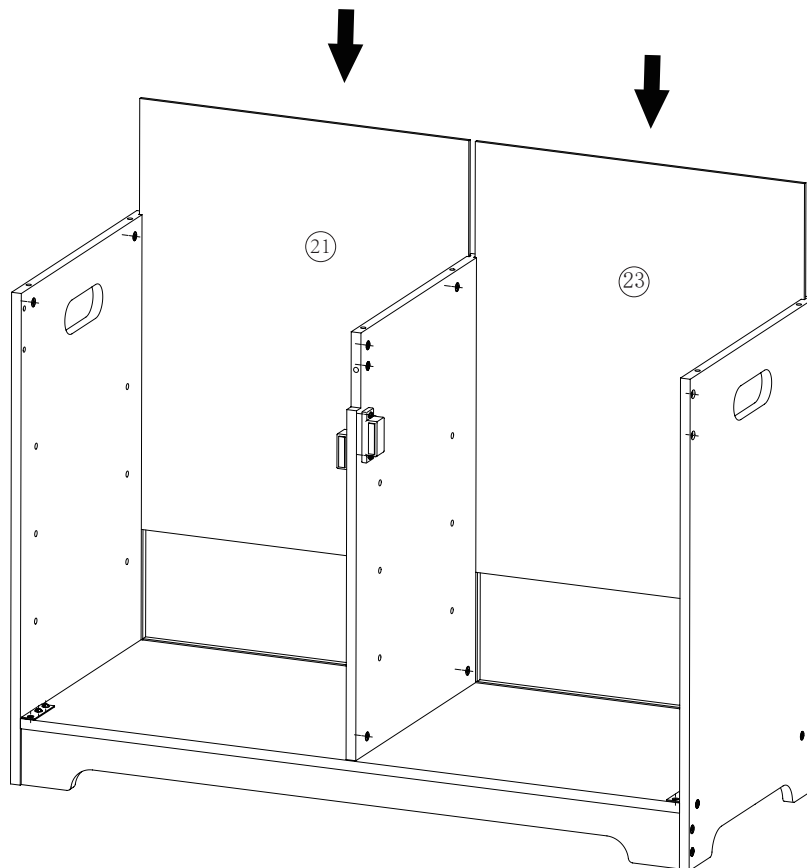
PRODUCT ASSEMBLY

Step 7

A  4 PCS



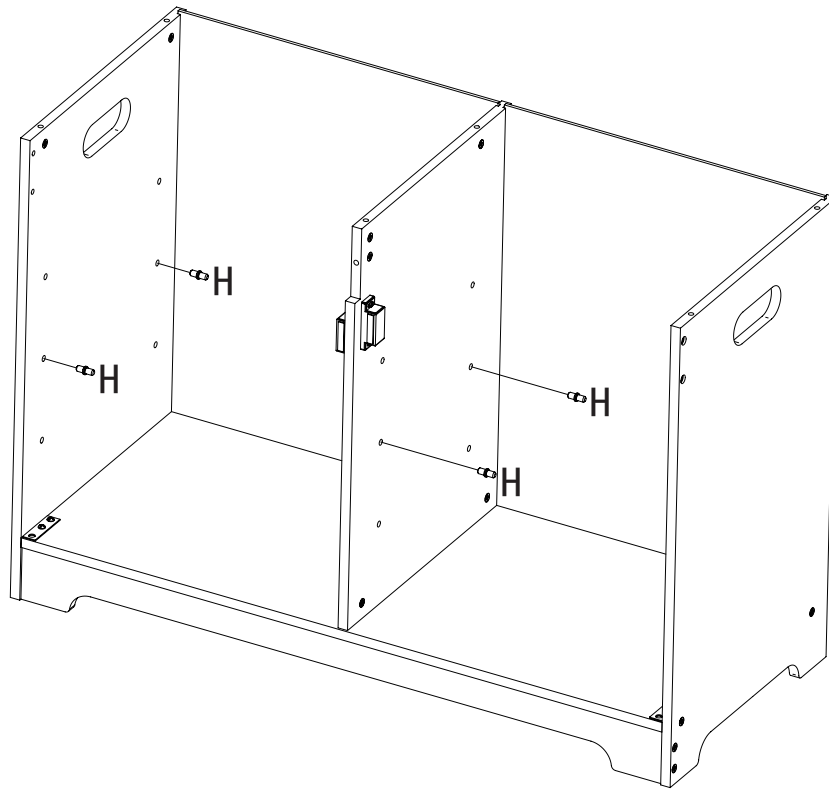
Step 8



PRODUCT ASSEMBLY

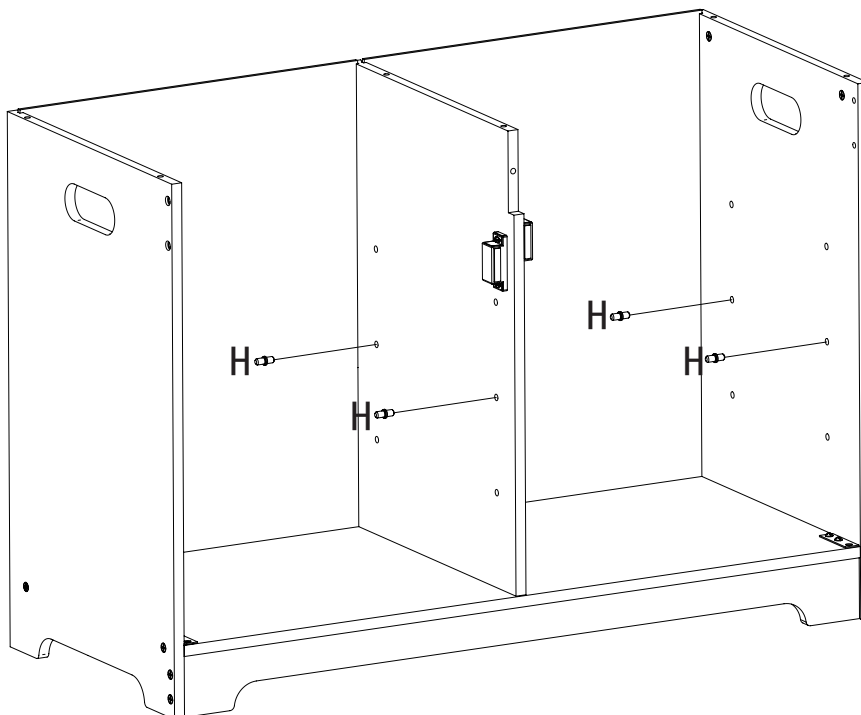
Step 9

H  4 PCS



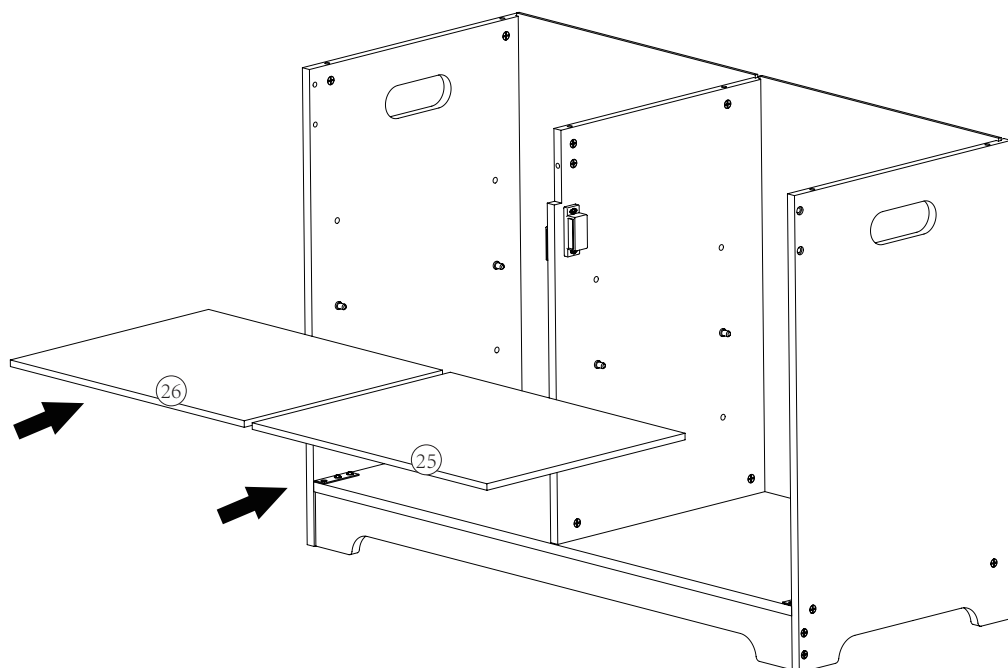
Step 10

H  4 PCS



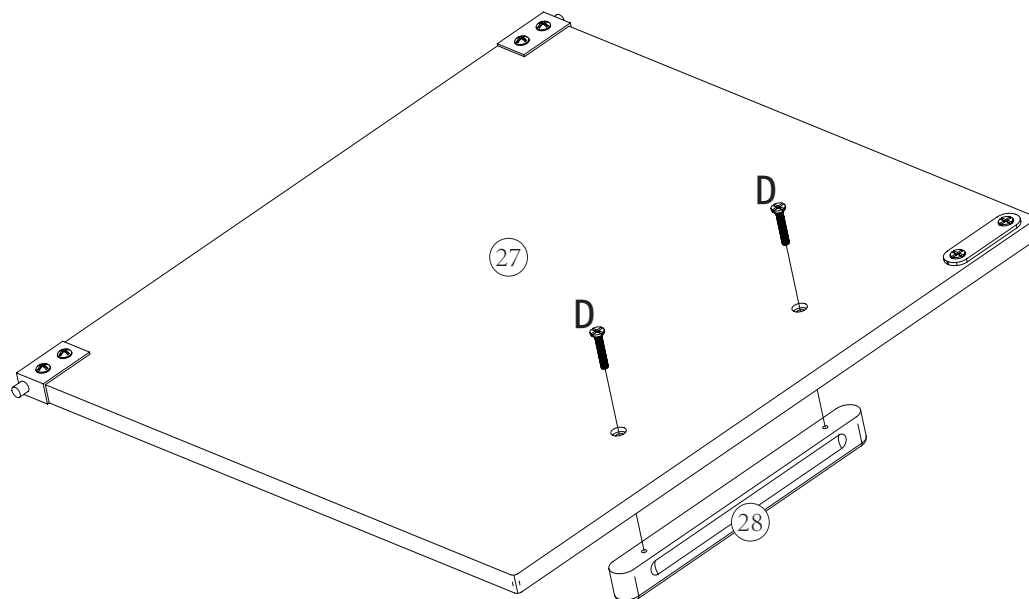
PRODUCT ASSEMBLY

Step 11



Step 12

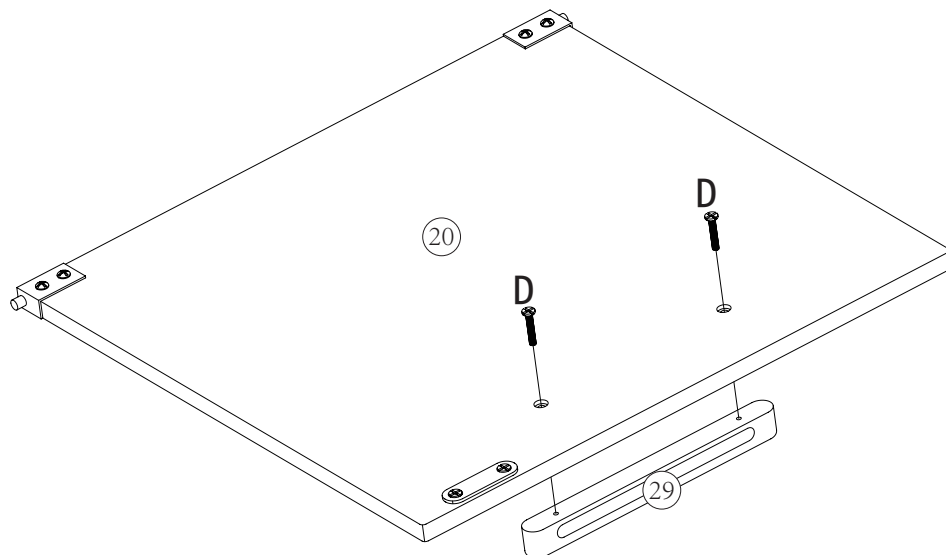
D  2 PCS



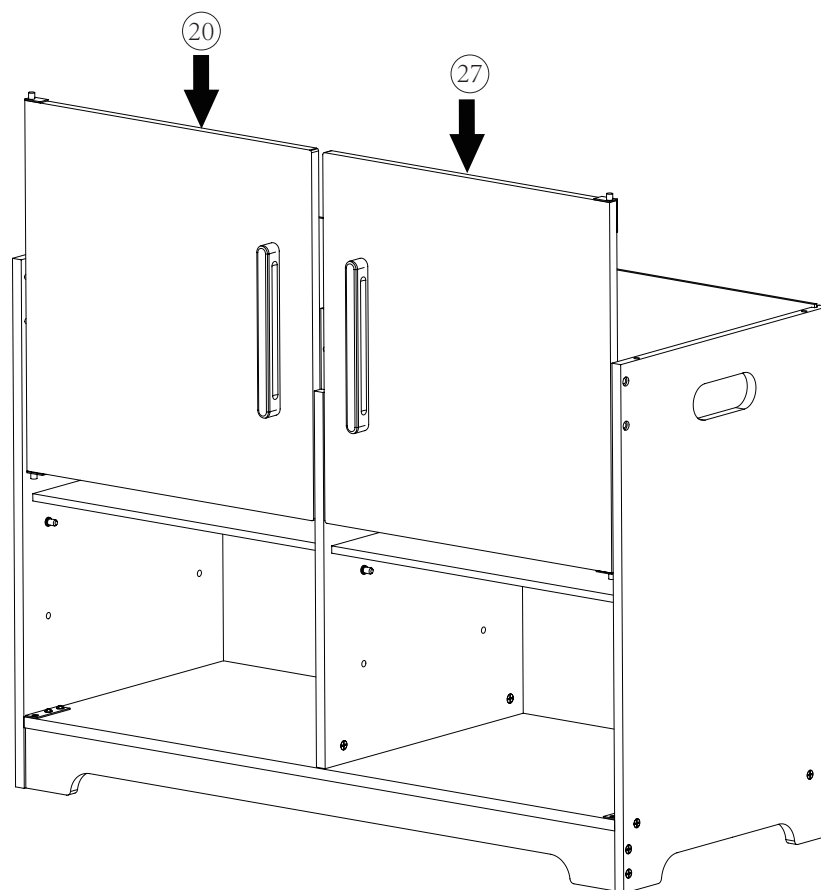
PRODUCT ASSEMBLY

Step 13

D  2 PCS

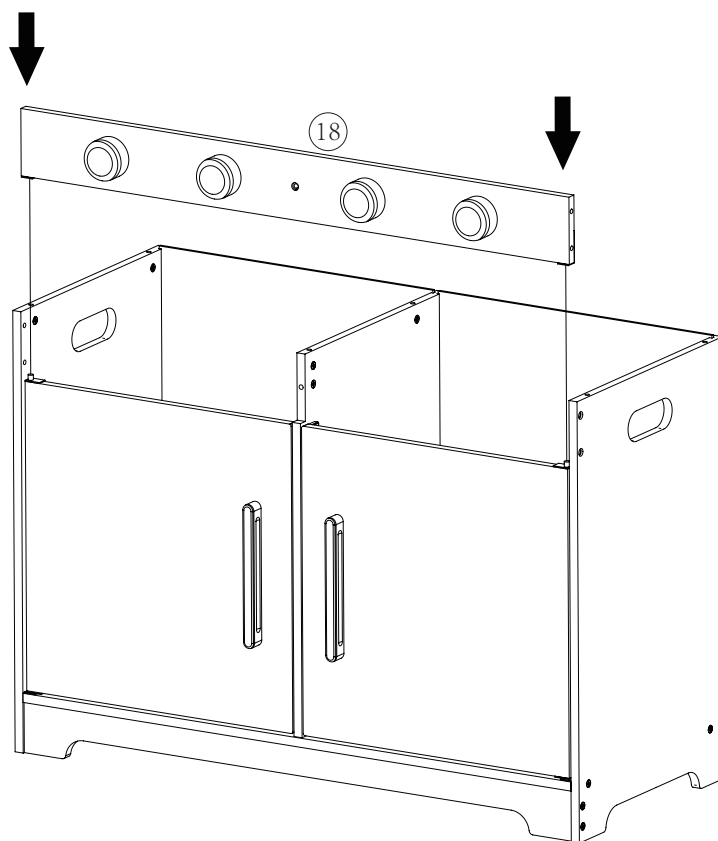


Step 14



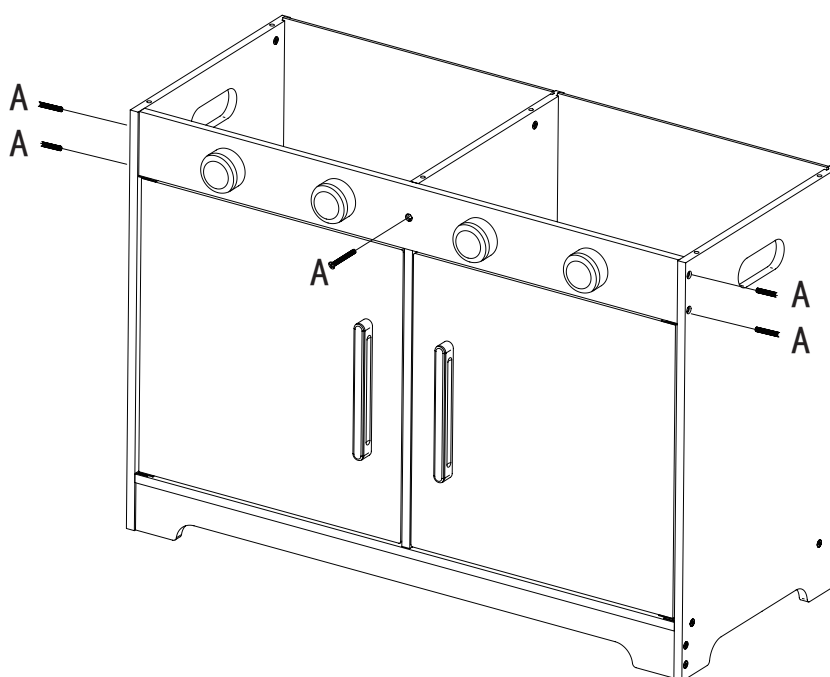
PRODUCT ASSEMBLY

Step 15



Step 16

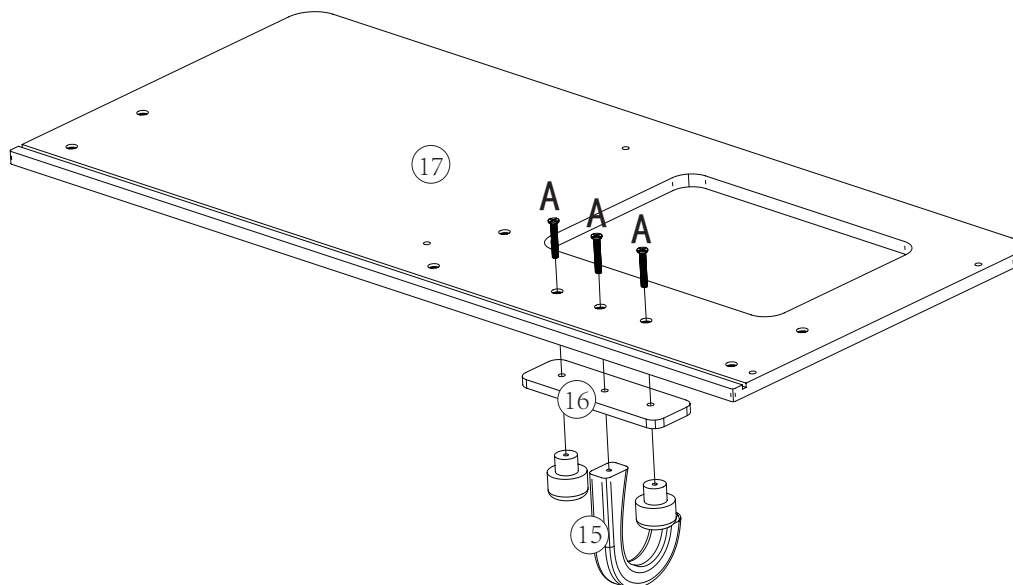
A  5 PC



PRODUCT ASSEMBLY

Step 17

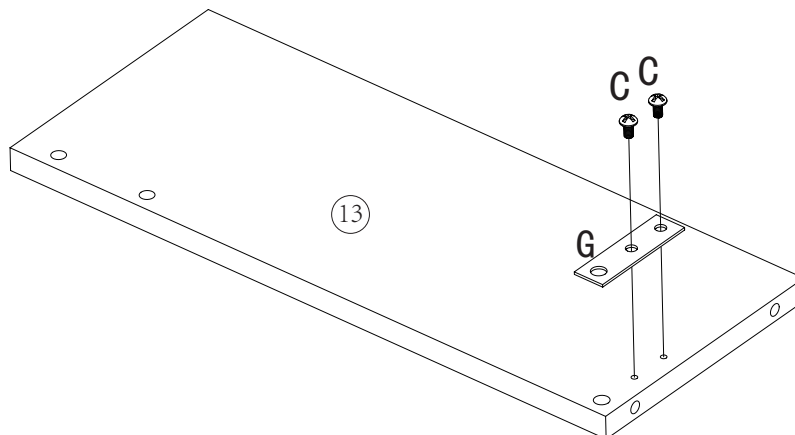
A		3 PCS
---	---	-------



Step 18

C		2 PCS
---	---	-------

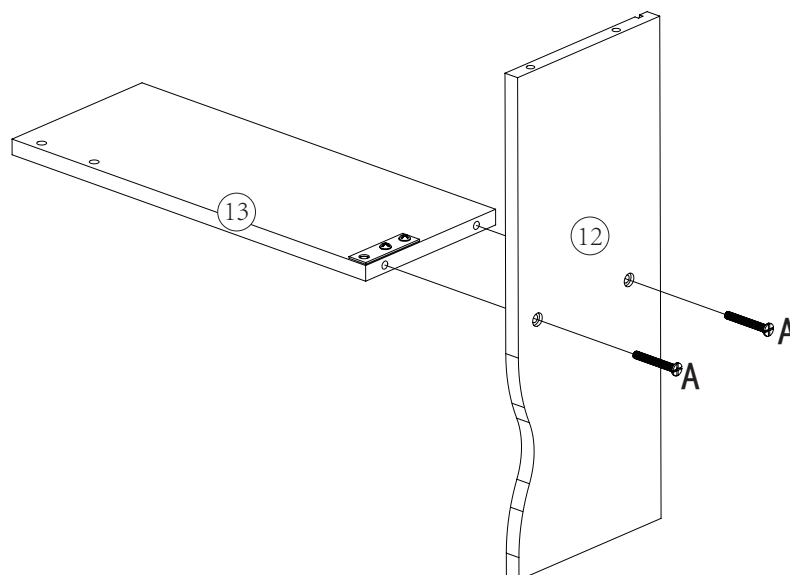
G		1 PC
---	---	------



PRODUCT ASSEMBLY

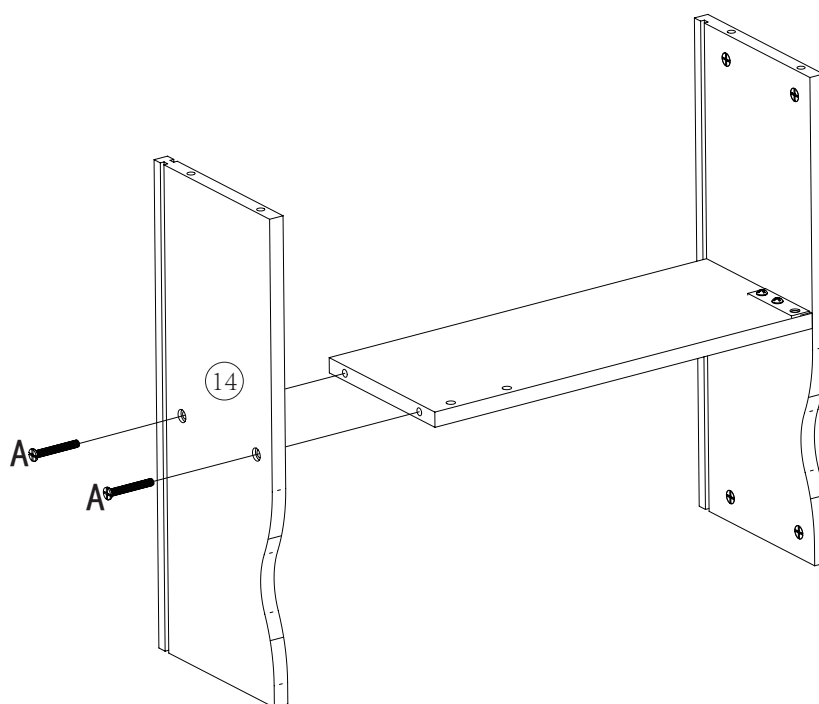
Step 19

A		2 PCS
---	---	-------



Step 20

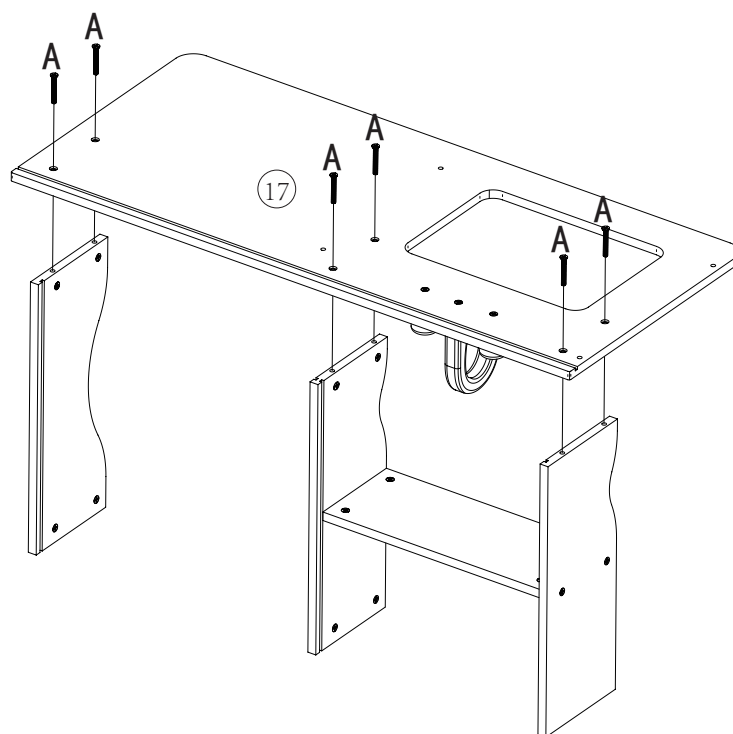
A		2 PCS
---	---	-------



PRODUCT ASSEMBLY

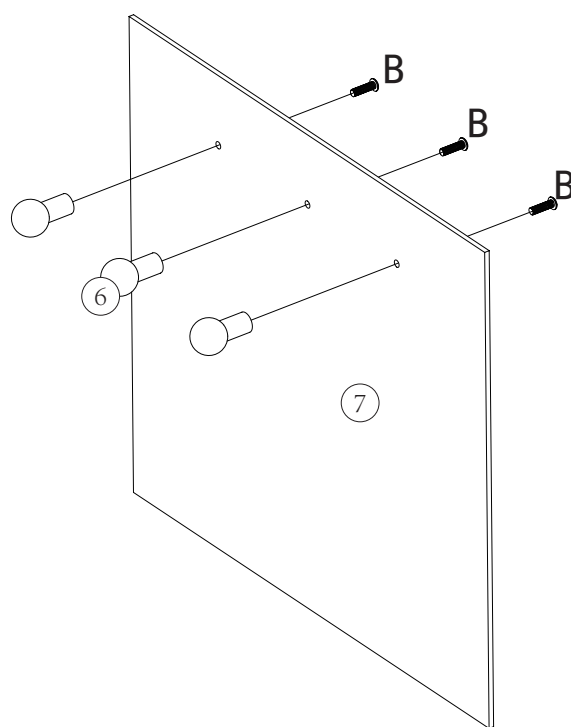
Step 21

A		6 PCS
---	---	-------



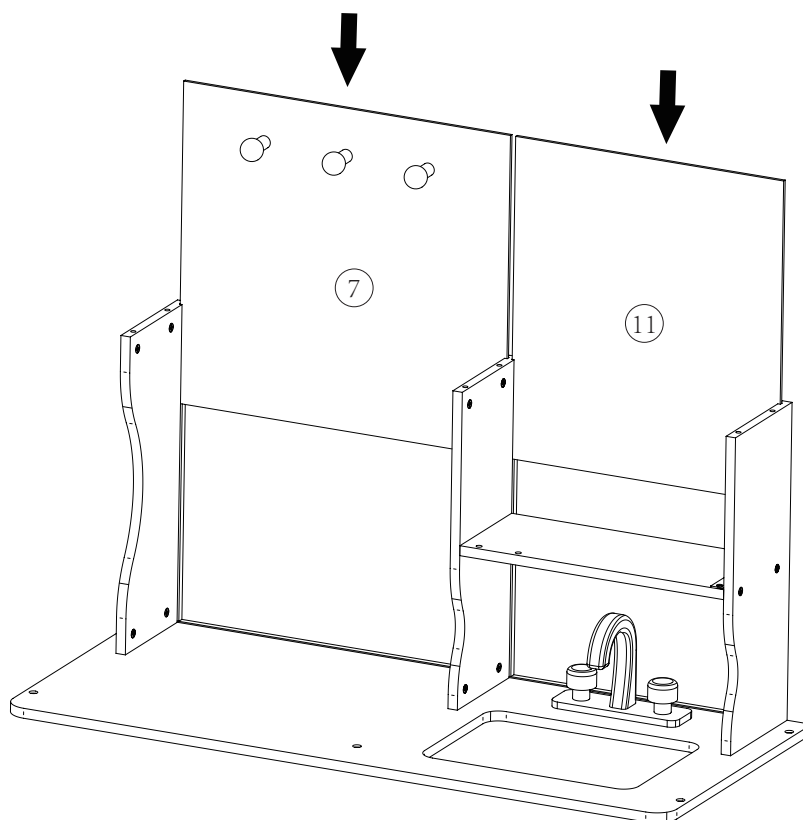
Step 22

B		3 PCS
---	---	-------



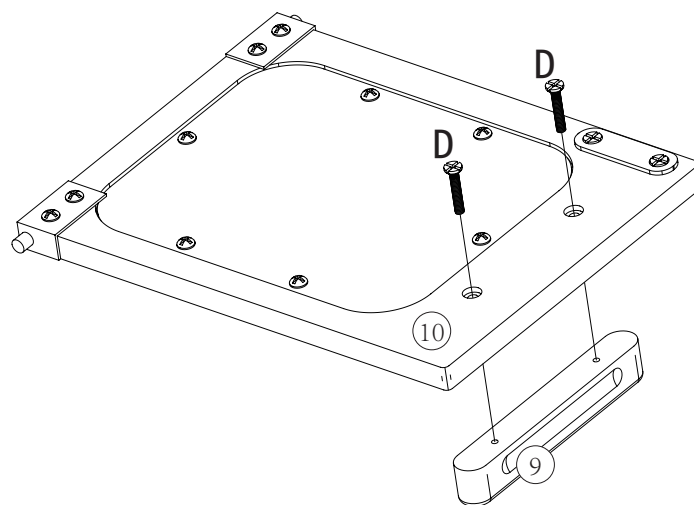
PRODUCT ASSEMBLY

Step 23



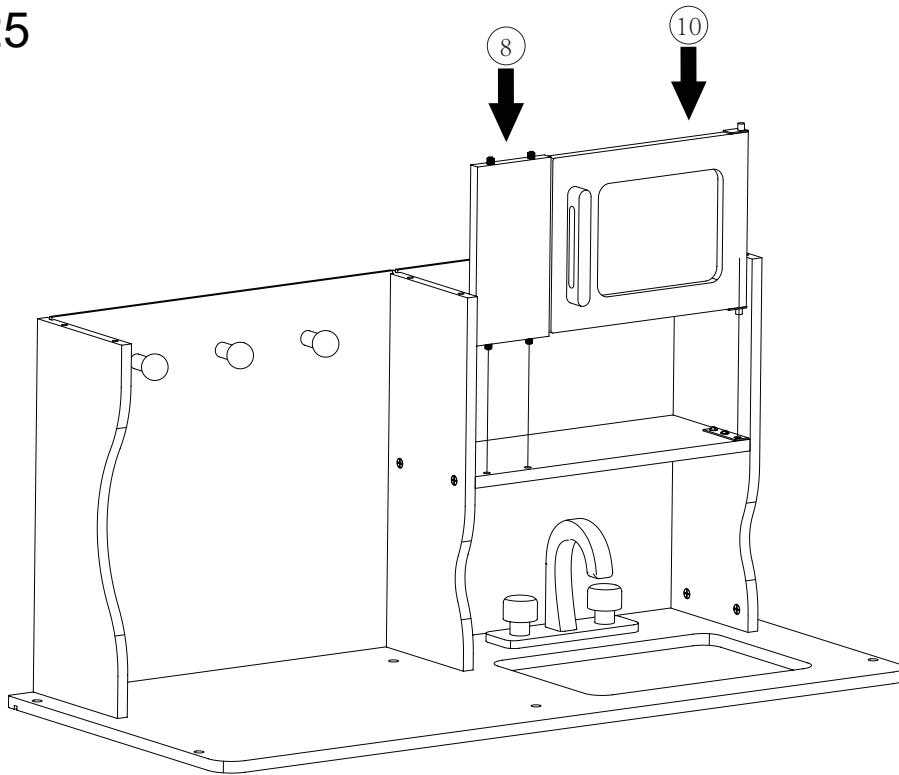
Step 24

D  2 PCS







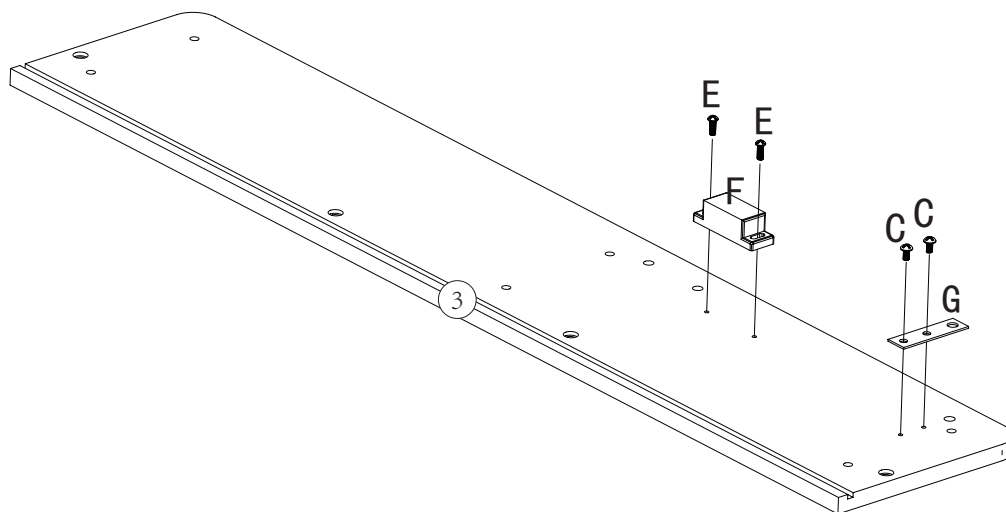
PRODUCT ASSEMBLY

Step 25



Step 26

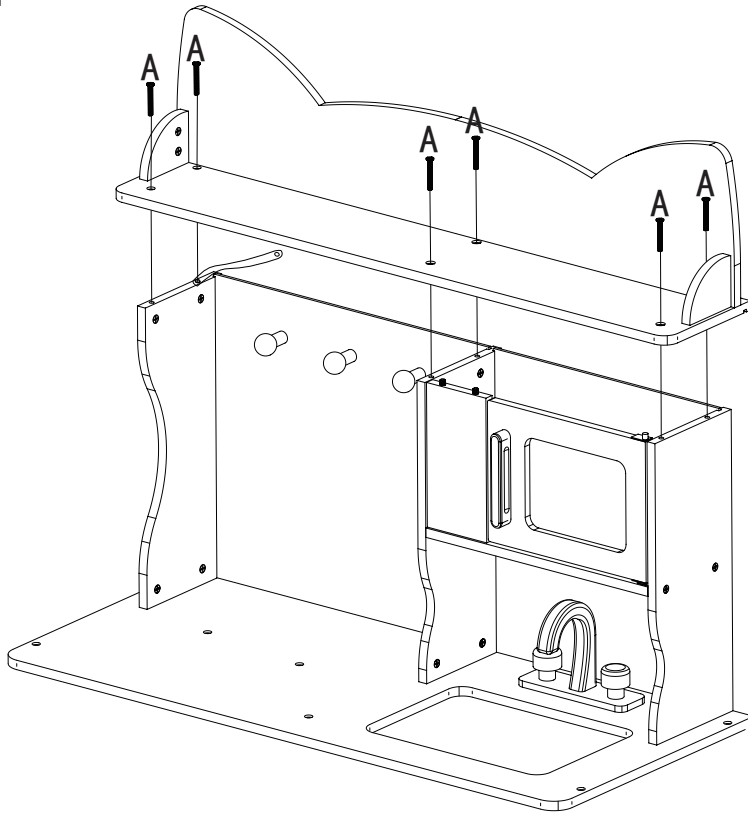
F		1 PC
E		2 PCS
C		2 PCS
G		1 PCS



PRODUCT ASSEMBLY

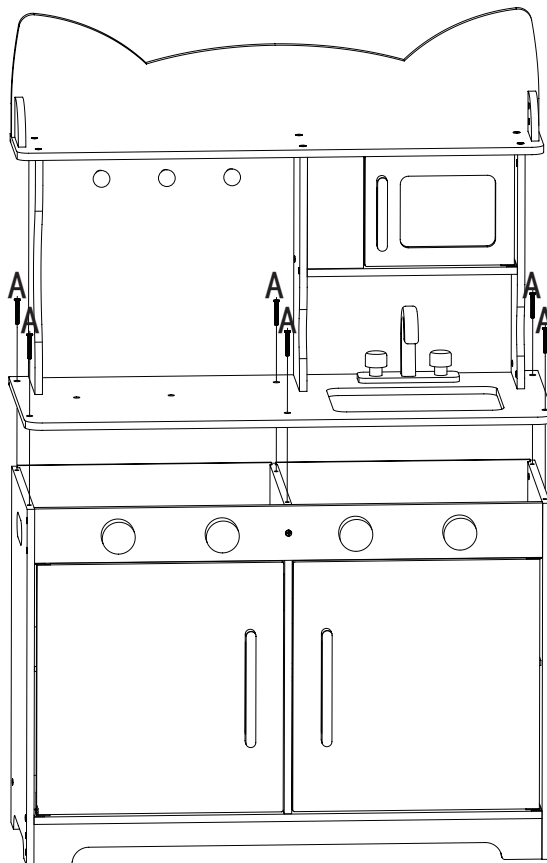
Step 29

A  6 PCS



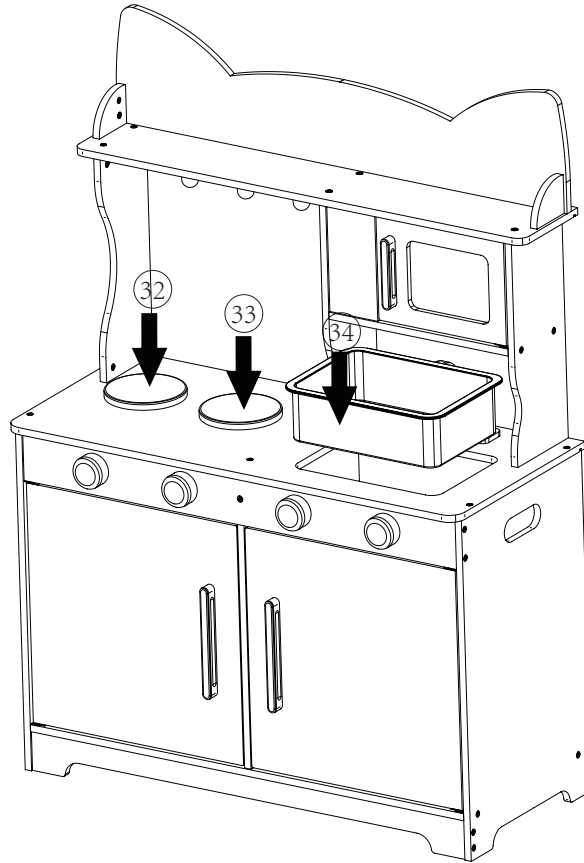
Step 30

A  6 PCS



PRODUCT ASSEMBLY

Step 31



Step 32

