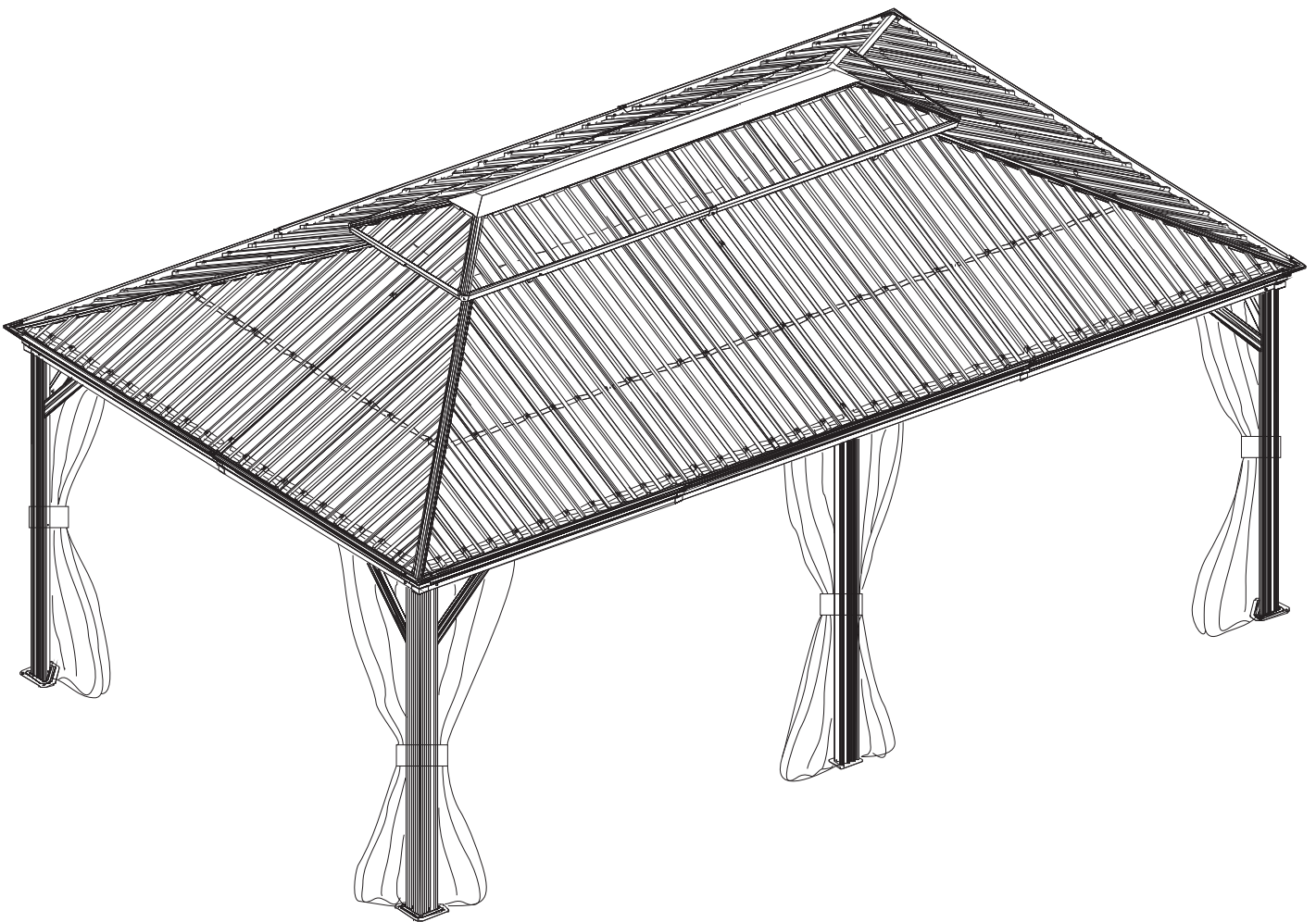




Enjoy Cozy Life!

**12'x20' ALEXANDER HARDTOP GAZEBO
WITH DOUBLE ROOF**

ASSEMBLY MANUAL



KOZYARD LLC PRODUCTS

www.kozyard.com

© Copyright 2016 - 2019 Kozyard LLC. | All Rights Reserved.



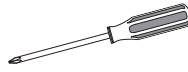
1. Two or more people are required for assembly.



5. Use the hex keys in the box.



2. You will need one or more stepladders.



6. Please use a Phillips screwdriver.



3. Wearing protective gloves is recommended.



7. Do not fully tighten screws prior to complete assembly.

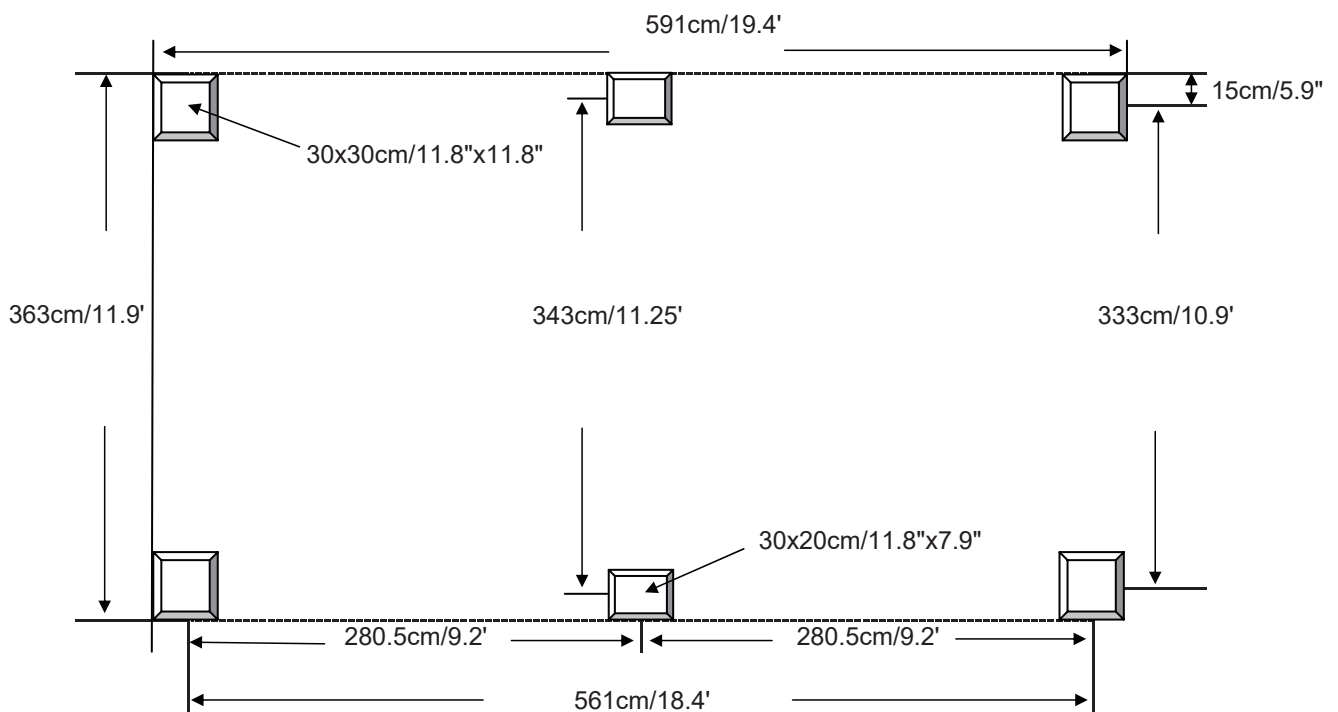


4. You may need a safety hat.



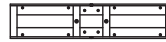
8. For ease of construction, you may need to use a drill.

12x20' ANCHOR BLUEPRINT

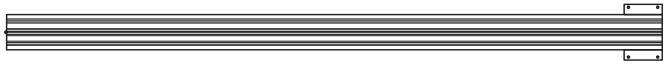




A (x4)



F (x6)



B (x2)



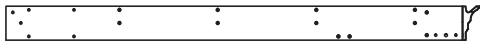
G (x4)



H (x6)



H1 (x6)



C (x4)



J1 (x4)



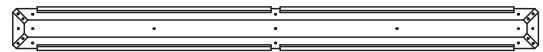
C1 (x4)



J2 (x4)



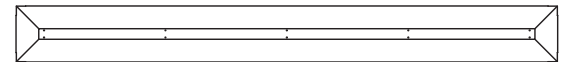
C2 (x2)



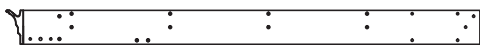
K (x1)



C3 (x2)



K1 (x1)



D (x4)



L (x4)



L1 (x2)

D1 (x4)



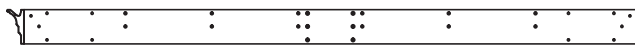
D2 (x2)



D3 (x2)



E (x2)



E1a (x2)



E1b (x2)



E2a (x2)



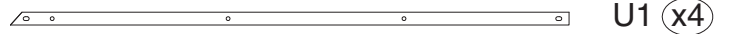
E2b (x2)



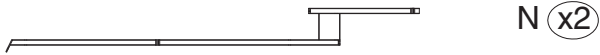
ITEM	DESCRIPTION	QTY
A	Pole	4
B	Pole	2
C	Beam	4
C1	Sidewall Track	4
C2	Jointer Bar	2
C3	Jointer Bar	2
D	Beam	4
D1	Sidewall Track	4
D2	Jointer Bar	2
D3	Jointer Bar	2
E	Beam	2
E1a	Sidewall Track	2
E1b	Sidewall Track	2
E2a	Joint Bar	2
E2b	Jointer Bar	2
F	Union Bar	6
G	Corner Cover	4
H	Joint Cover	6
H1	Joint Cover	6
J1	Corner Solidifying Bar	4
J2	Corner Solidifying Bar	4
K	Inside Roof Connector	1
K1	Outside Roof Connector	1
L	Base	4
L1	Base	2



M (x4)



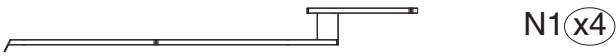
U1 (x4)



N (x2)



U2 (x4)



N1 (x4)



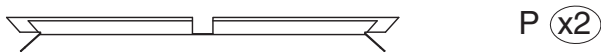
U3 (x4)



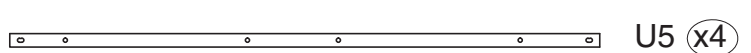
N2 (x2)



U4 (x8)



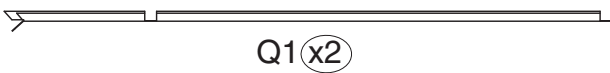
P (x2)



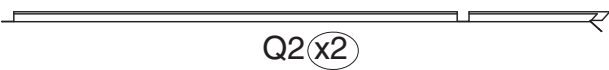
U5 (x4)



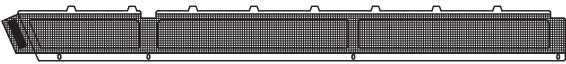
P1 (x2)



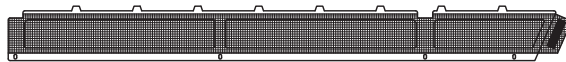
Q1 (x2)



Q2 (x2)



Q3 (x2)



Q4 (x2)



R (x8)



R1 (x2)



T (x2)

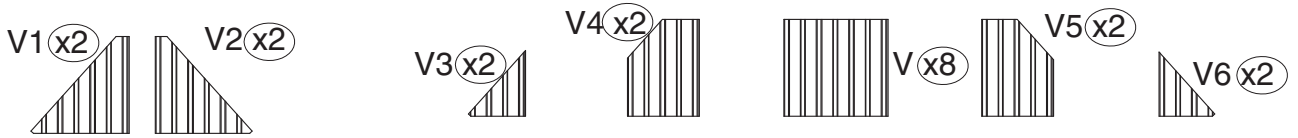


T1 (x2)

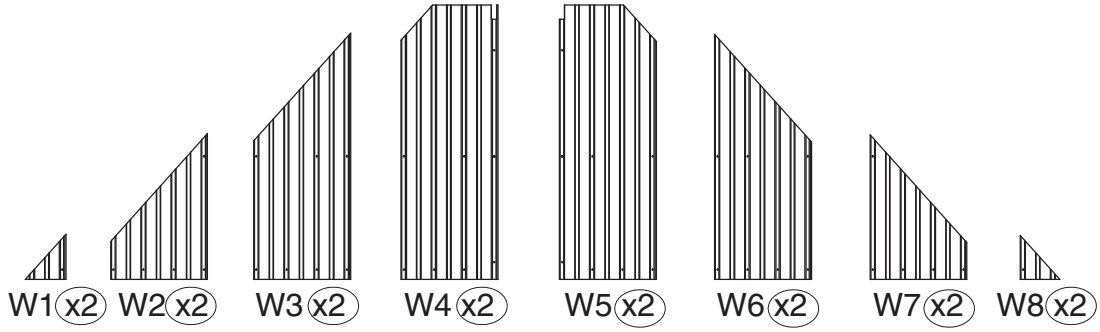


T2 (x2)

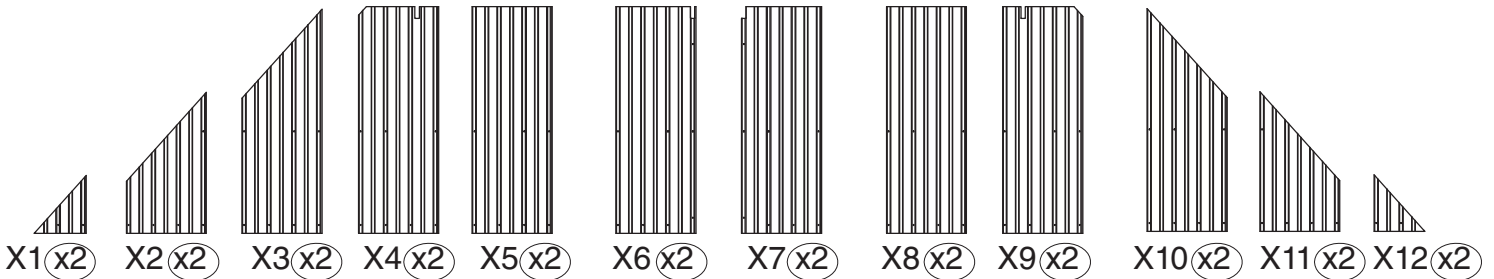
ITEM	DESCRIPTION	QTY
M	Corner Roof Bar	4
N	Roof Bar	2
N1	Roof Bar	4
N2	Roof Bar	2
P	Finishing Bar	2
P1	Net Frame	2
Q1	Finishing Bar	2
Q2	Finishing Bar	2
Q3	Net Frame	2
Q4	Net Frame	2
R	Finishing End	8
R1	Finishing End	2
T	Finishing Bar	2
T1	Finishing Bar	2
T2	Finishing Bar	2
U1	Solidifying Bar	4
U2	Solidifying Bar	4
U3	Iron Angle	4
U4	Iron Angle	8
U5	Solidifying Bar	4



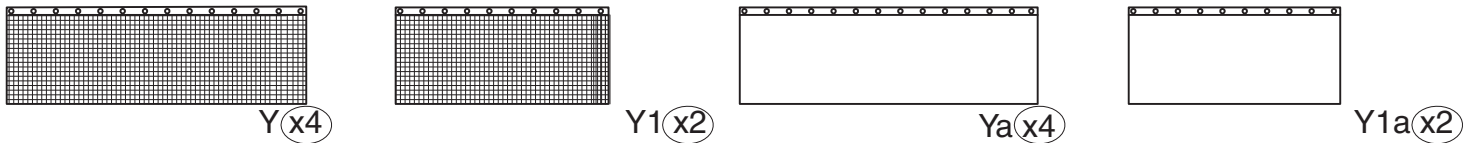
Roof Panel



Roof Panel

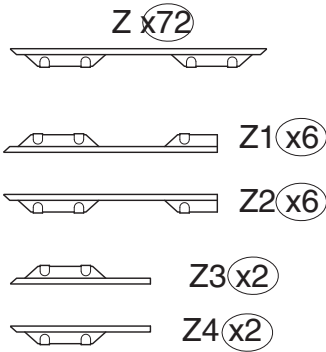


Roof Panel

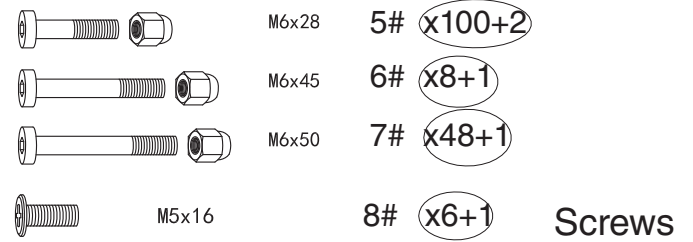


Mosquito Sidewall

Solid Sidewall



Metal Bracket

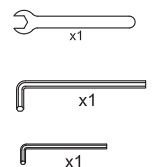
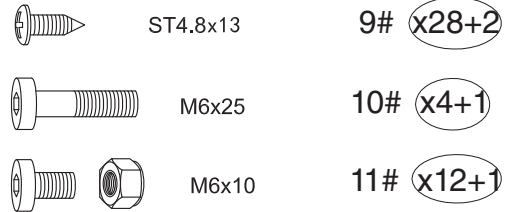
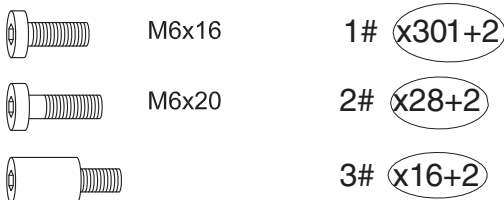


Screws



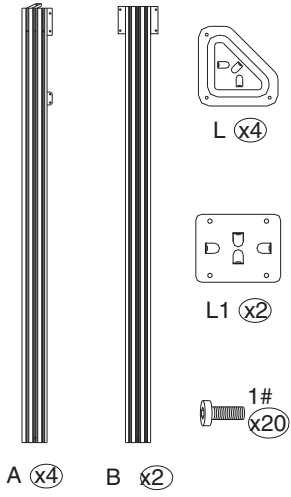
Hook

Spacer

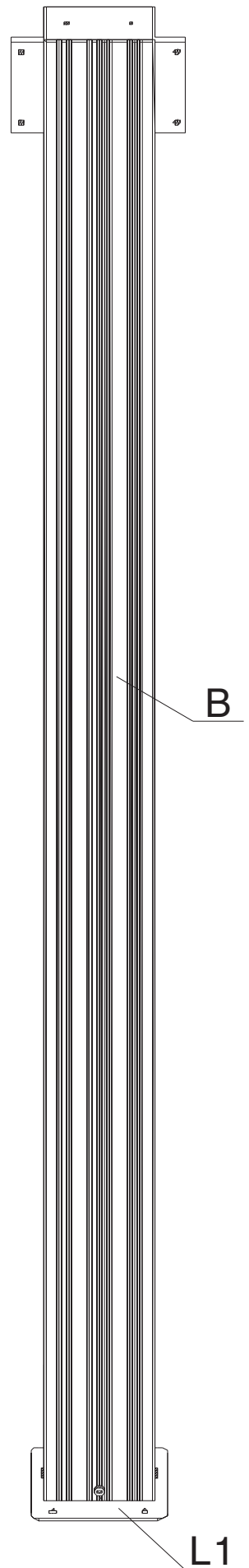
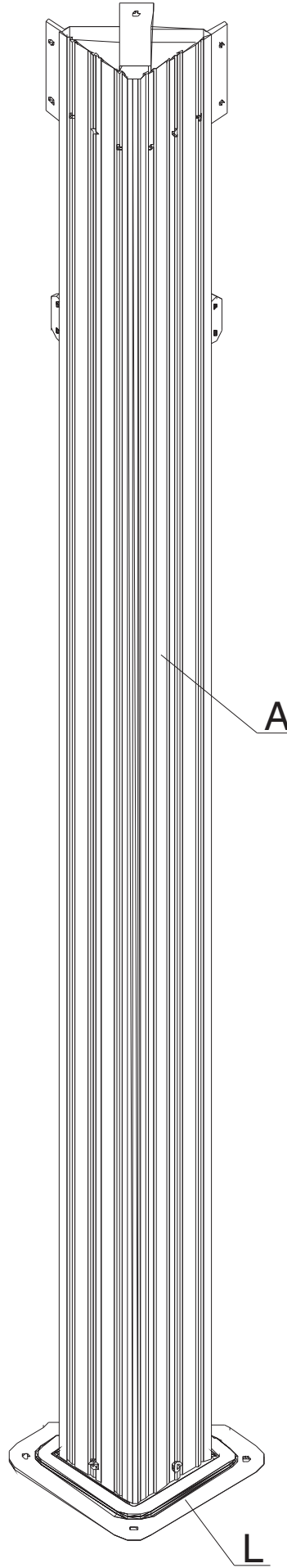
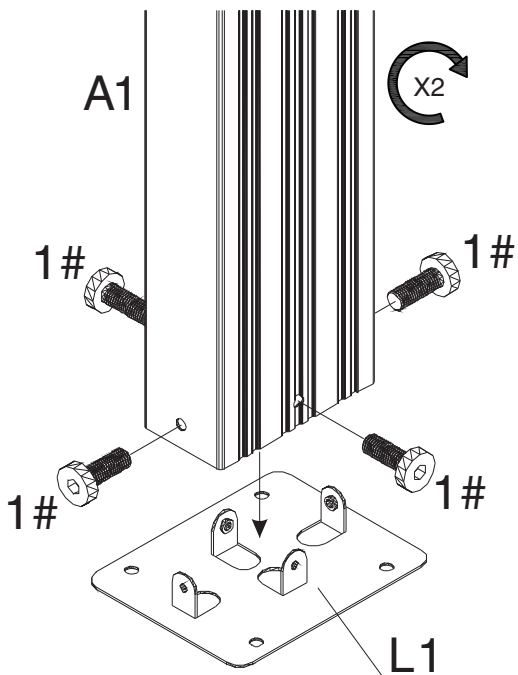
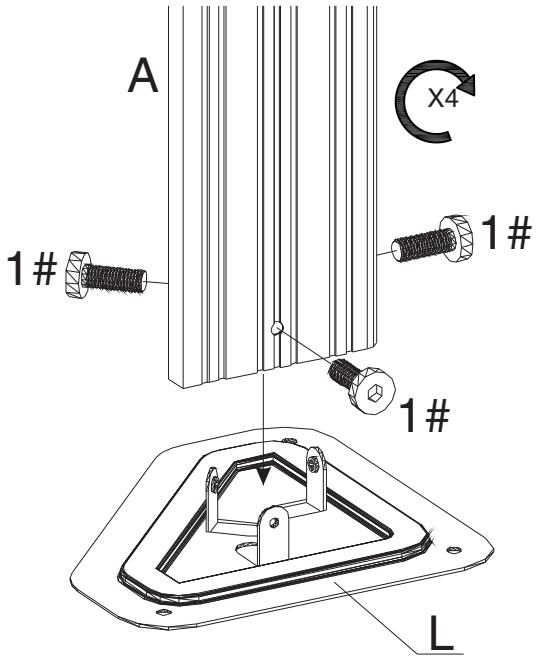


Tools

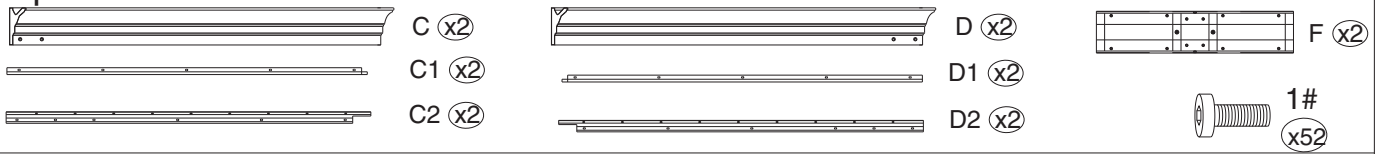
Parts Required:



Step 1: Set up Poles (Part A & Part B) with stand plates (Part L & Part L1) using screws 1# as shown in diagram.

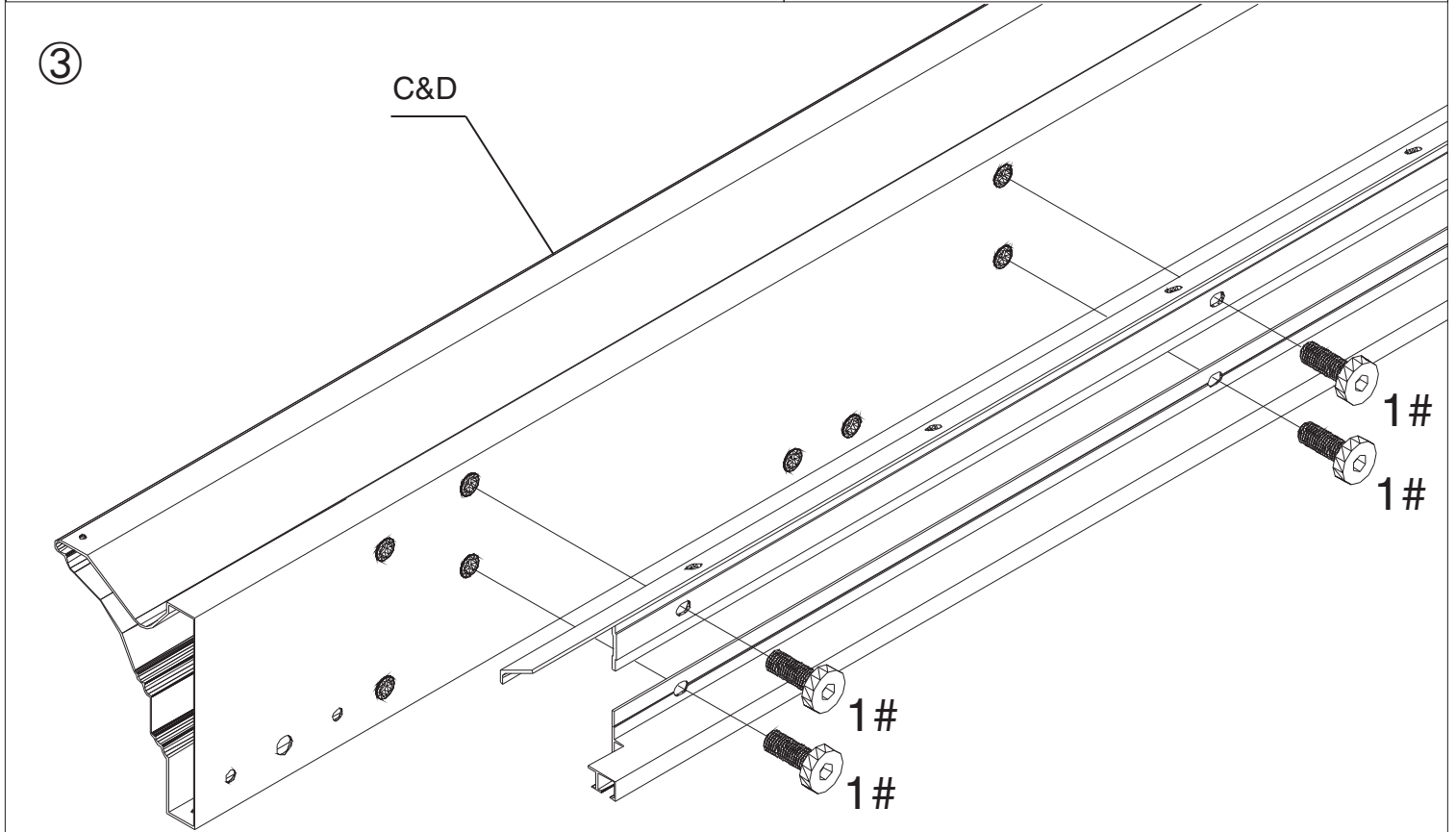
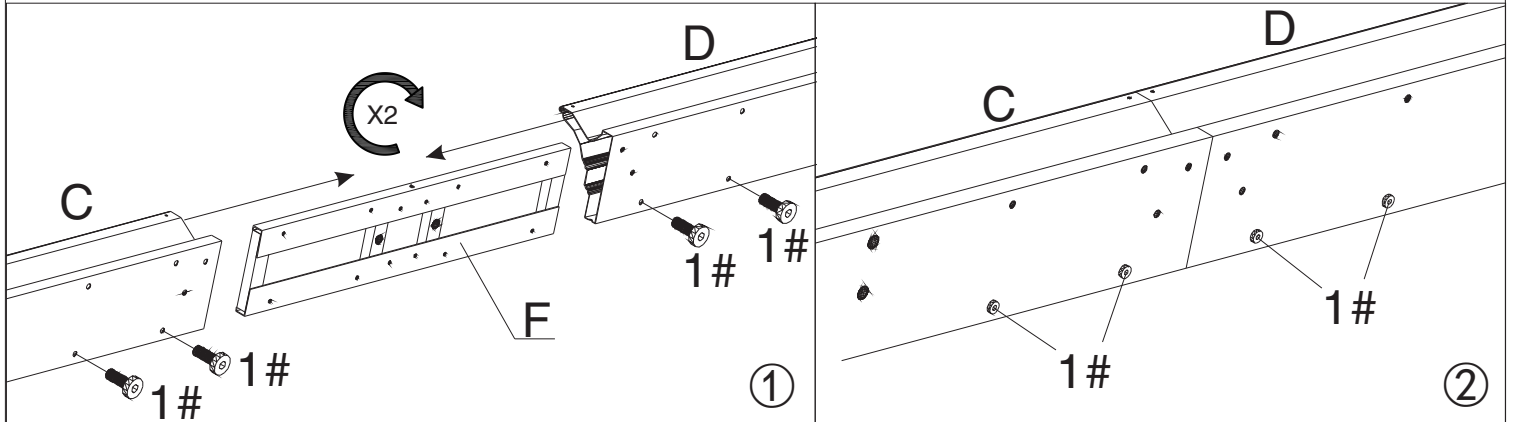


Parts Required:



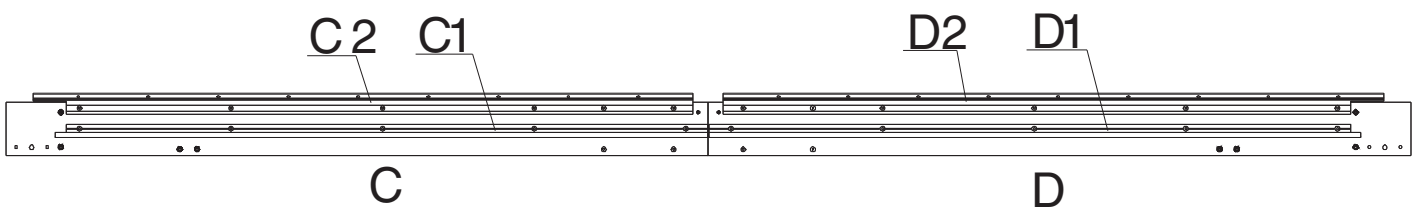
Step 2:

Connect (Part C&Part D) into one beam using union bar (Part F) with screws 1#.



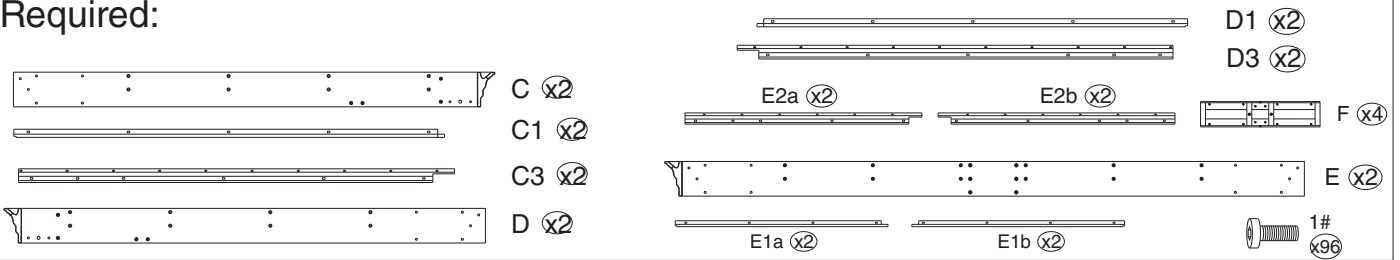
Connect parts(C2&D2) to the finished beam (C&D) using screws 1# as shown in diagram.

Attach Parts(C1&D1)to finished beam (C&D)using screws 1#.

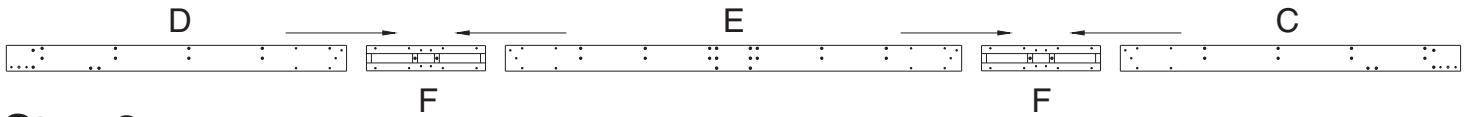


Step 7:

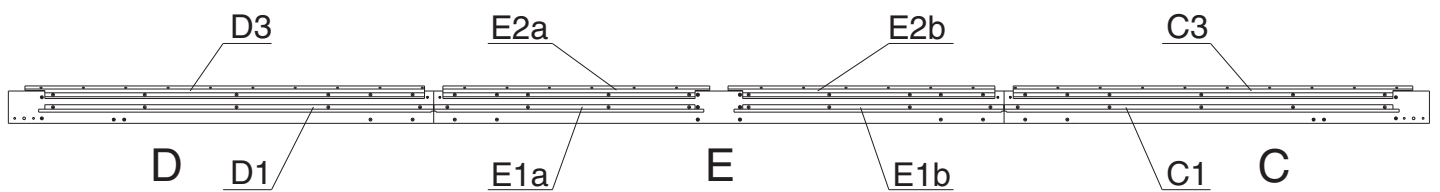
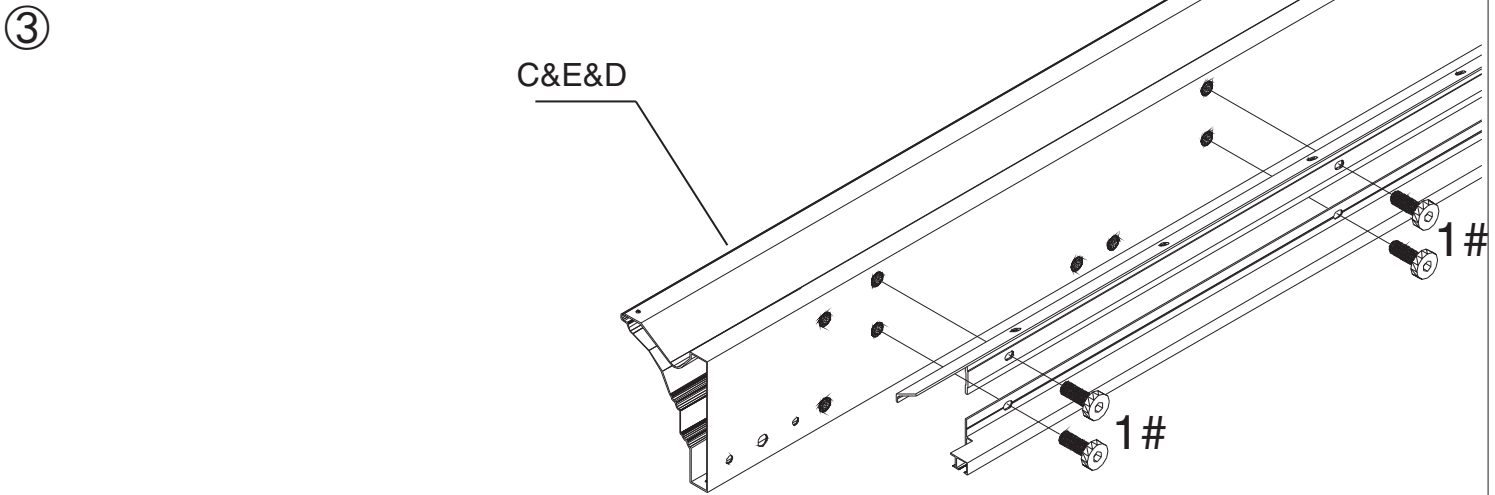
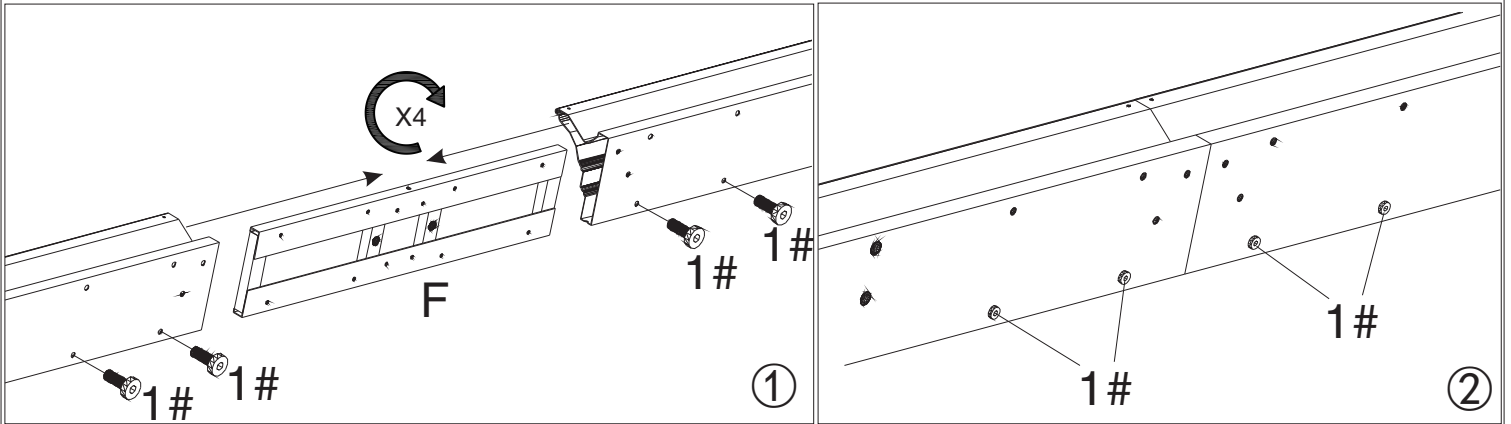
Parts Required:



Long beam overall:



Step 3: Connect (Part D,E&C) into one beam using union bar (Part F) with screws 1#.



Connect parts(D1,C1,E1a&E1b) to the finished beam (D,E&C) using screws 1# as shown in diagram.

Attach Parts(D3,E2a,E2b&C3)to finished beam (D,E&C)using screws 1#.

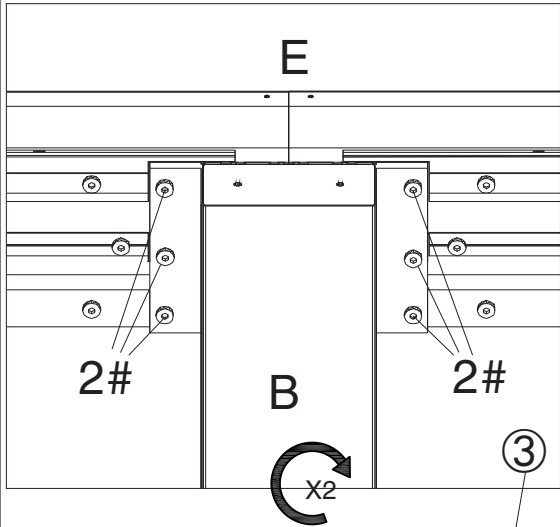
Parts Required:



2#
x28

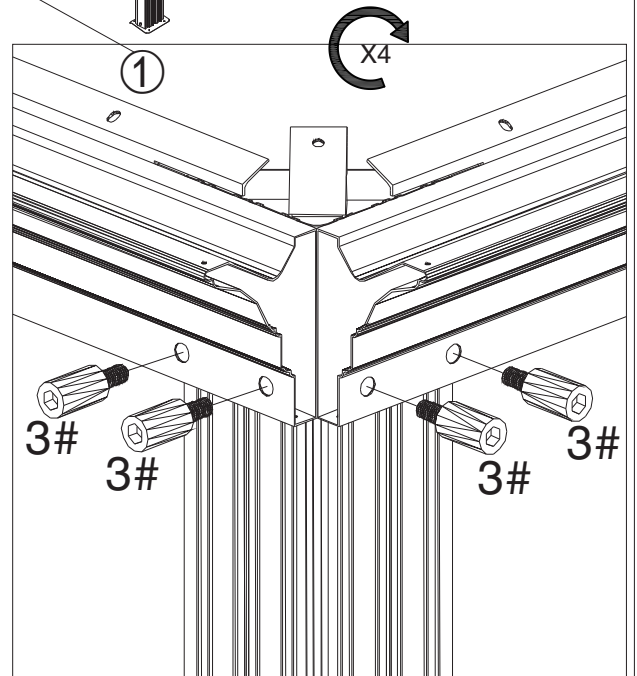
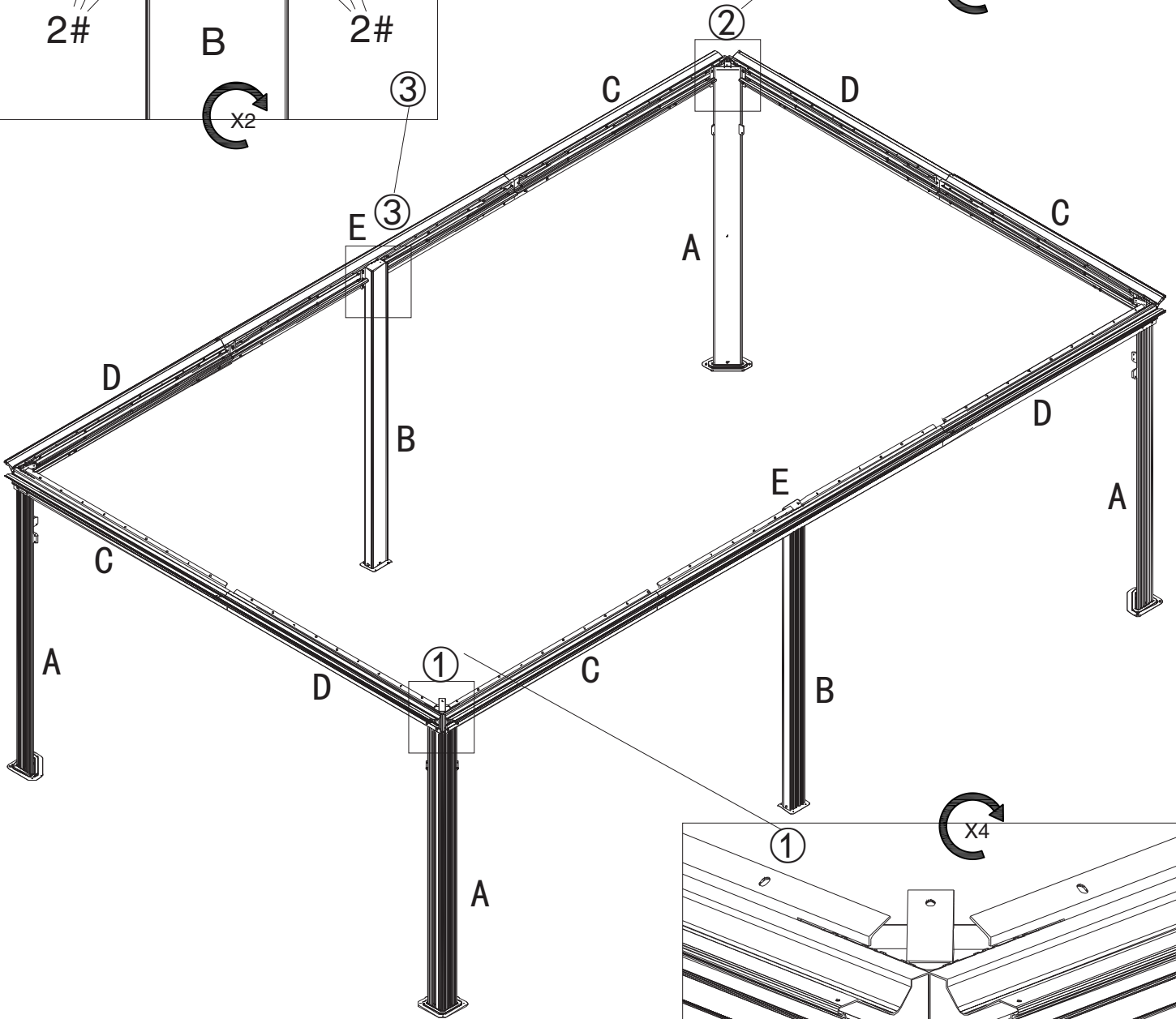
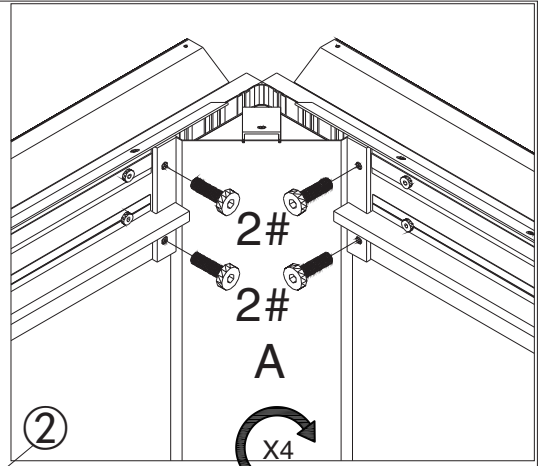


3#
x16

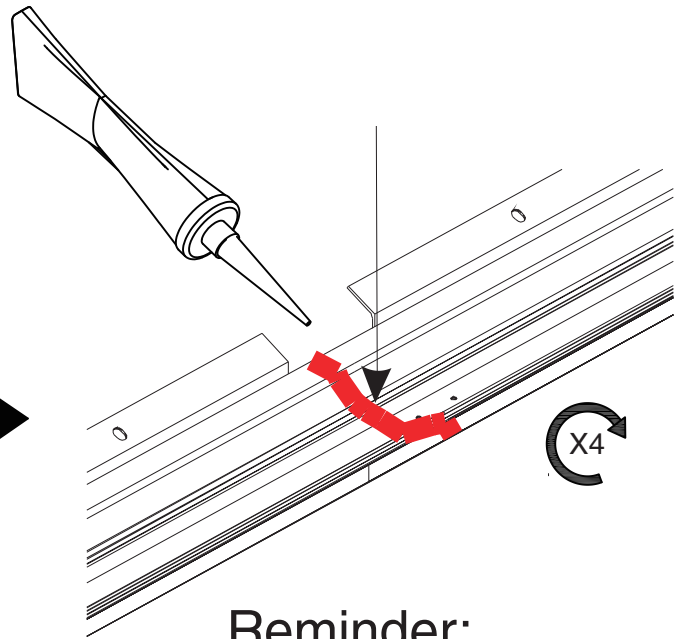
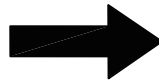
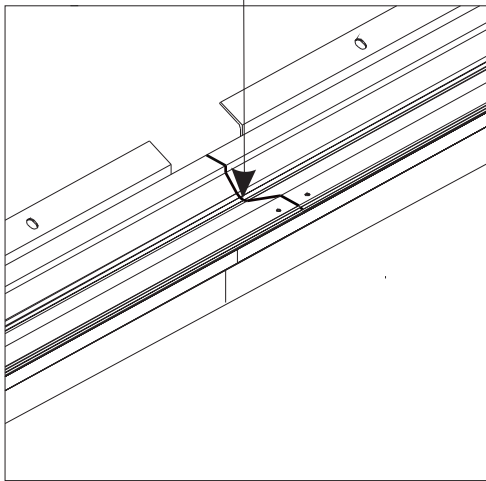
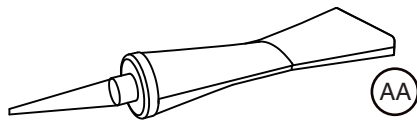


Step 4:

Use Screws (2#&3#) to connect poles and beams together as shown in diagram

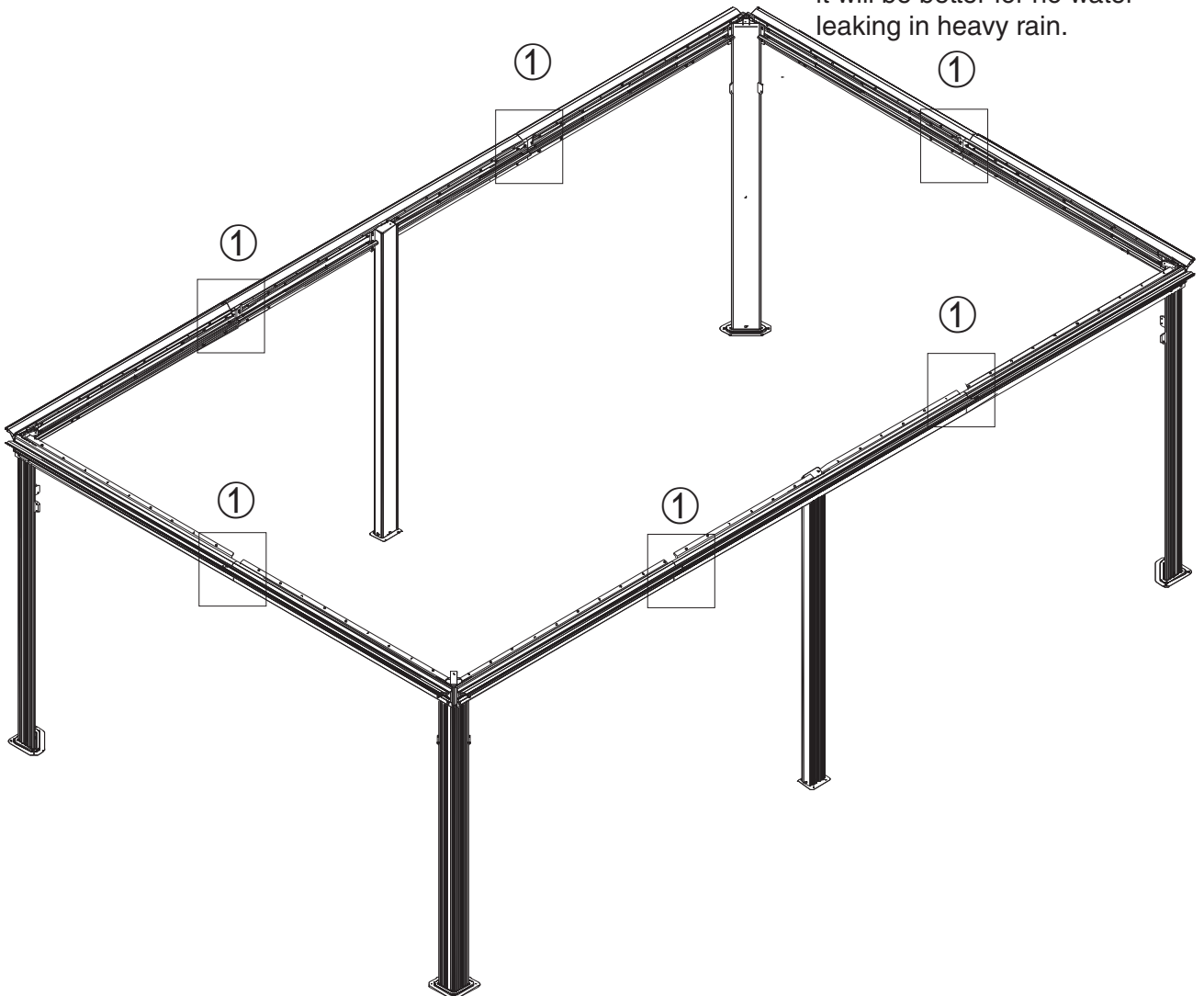


Parts Required:

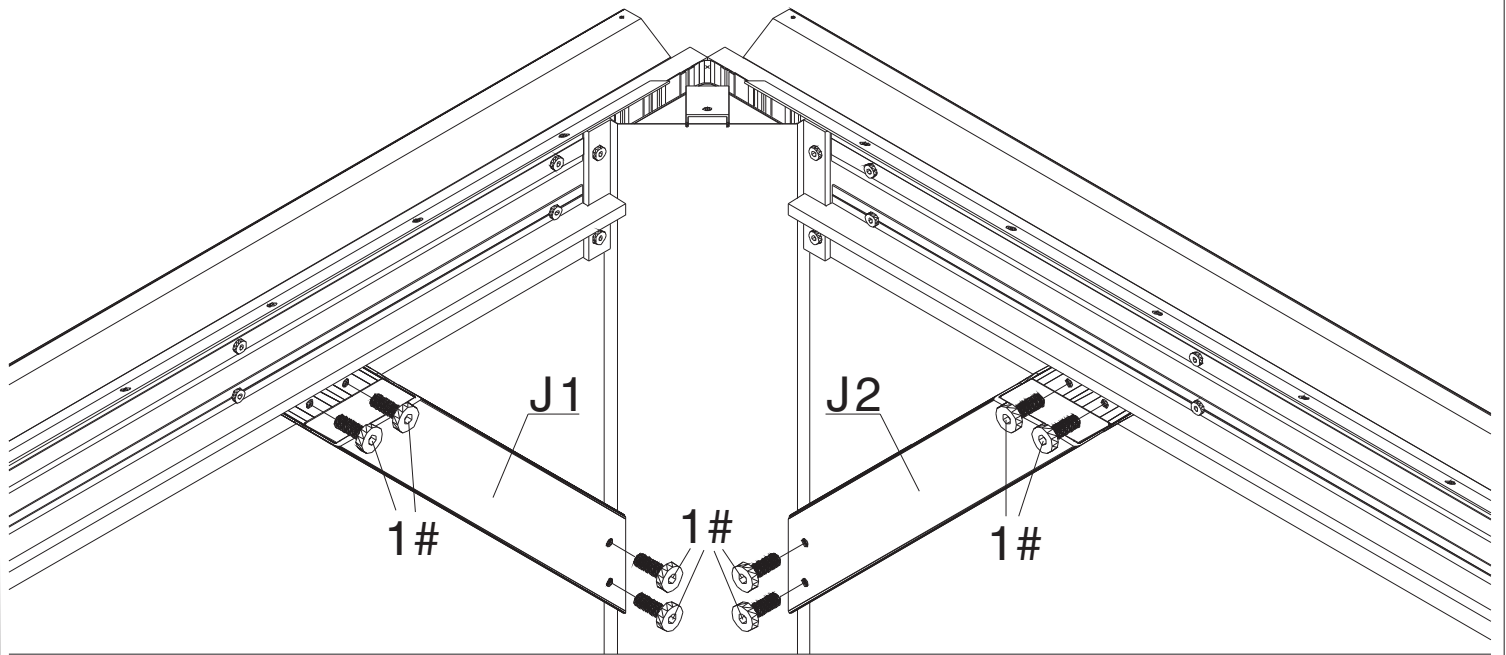
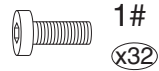
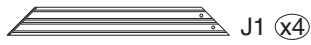


Reminder:

with silicone rubber to seal after finishing the assembly it will be better for no water leaking in heavy rain.

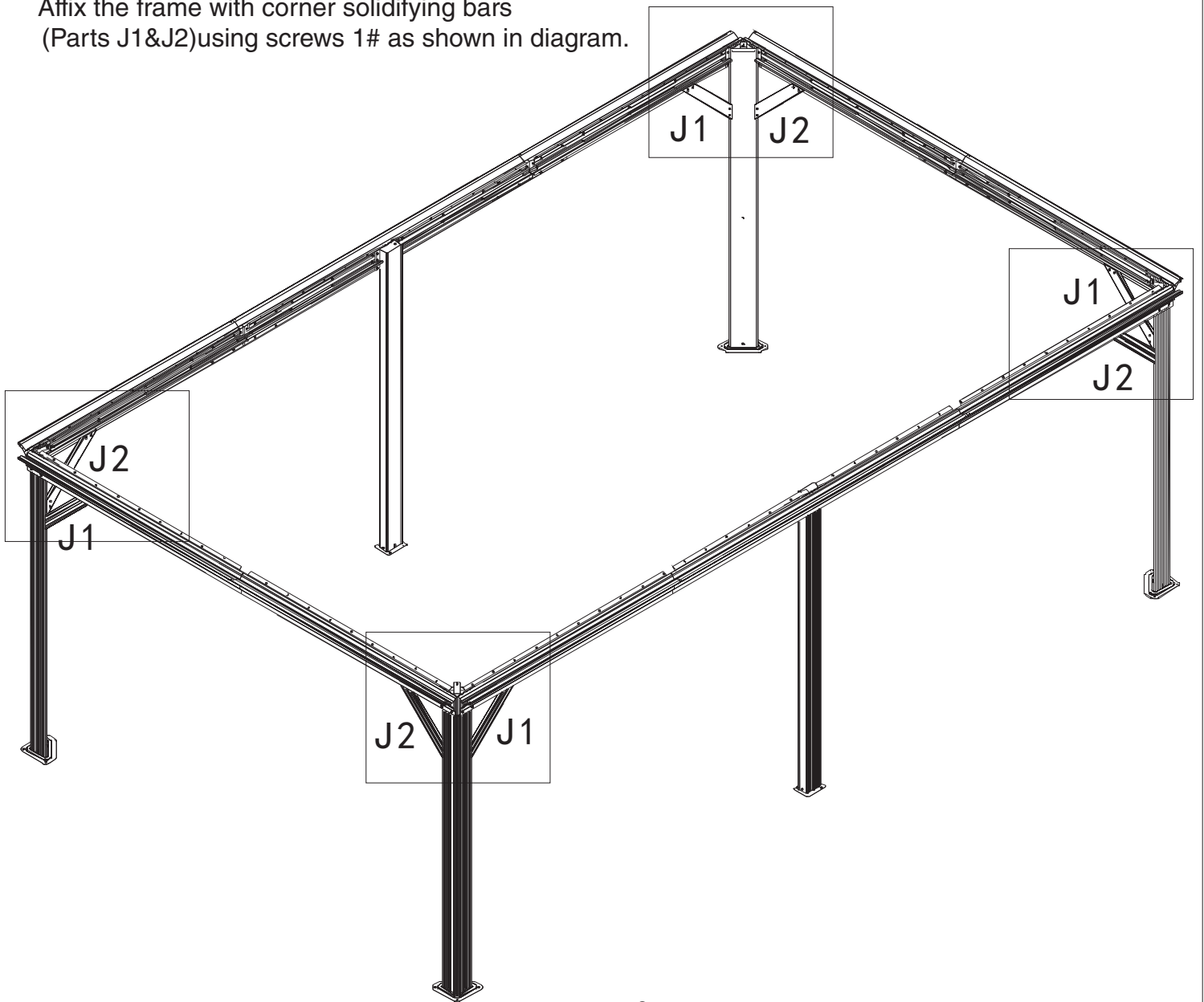


Parts Required:

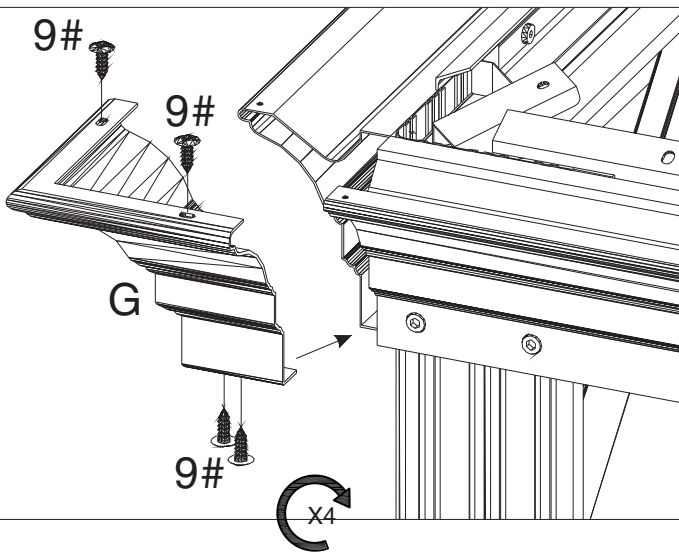


Step 5:

Affix the frame with corner solidifying bars (Parts J1&J2) using screws 1# as shown in diagram.

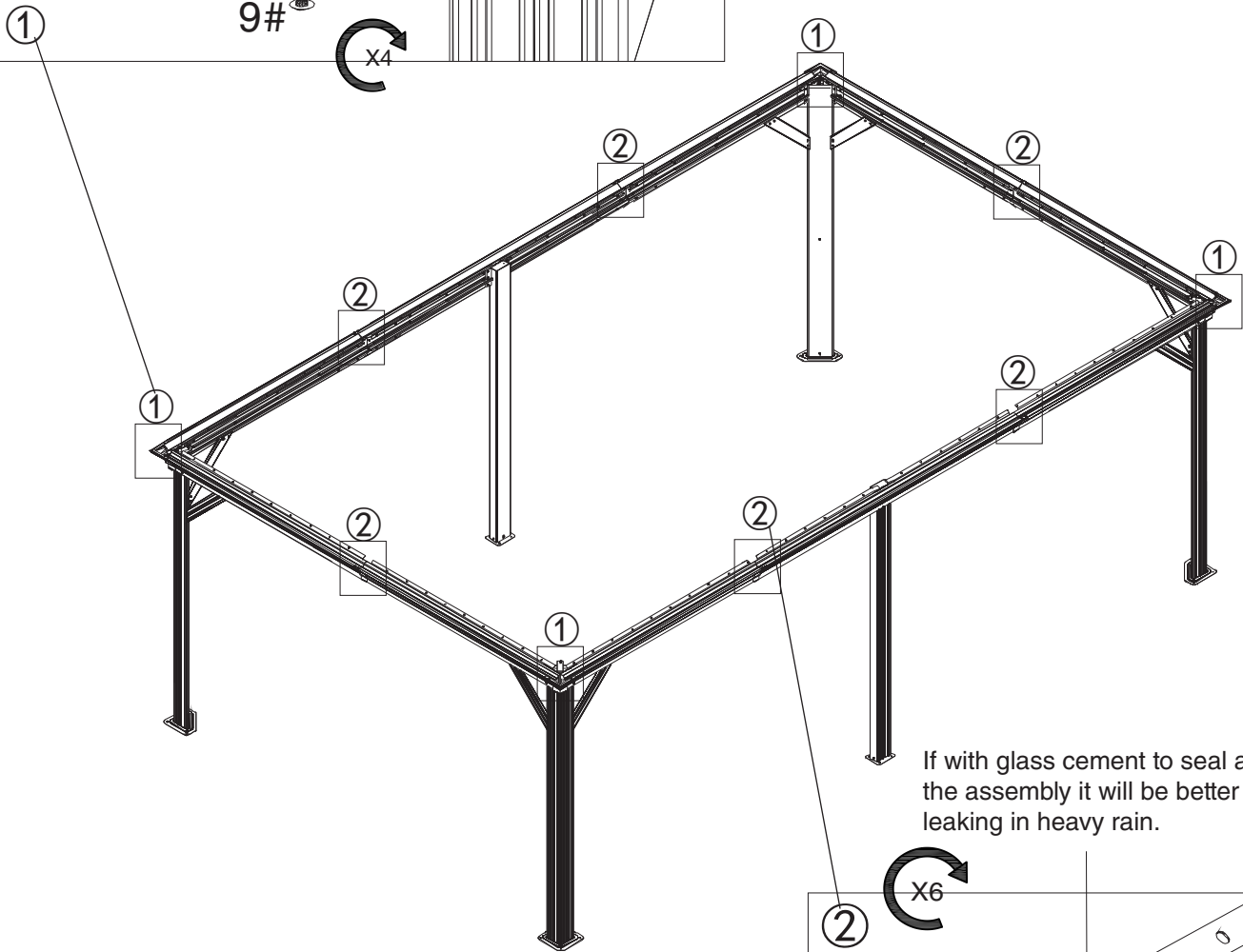


Parts Required:

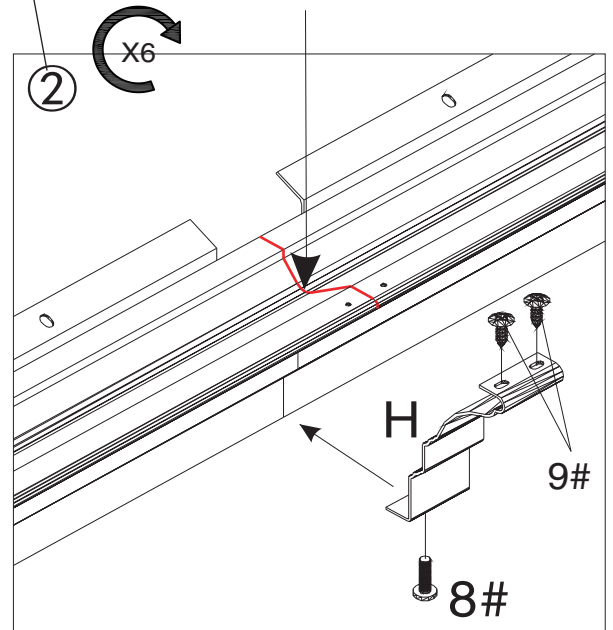


Step 6:

Finish connecting beams using corner bycorner cover (Part G) and screws 9# as shown in diagram.

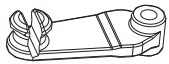


If with glass cement to seal after finishing the assembly it will be better for no water leaking in heavy rain.



Affix middle beams using joint cover (Part H) and screws 9# and 8# as shown in diagram.

Parts Required:



4#

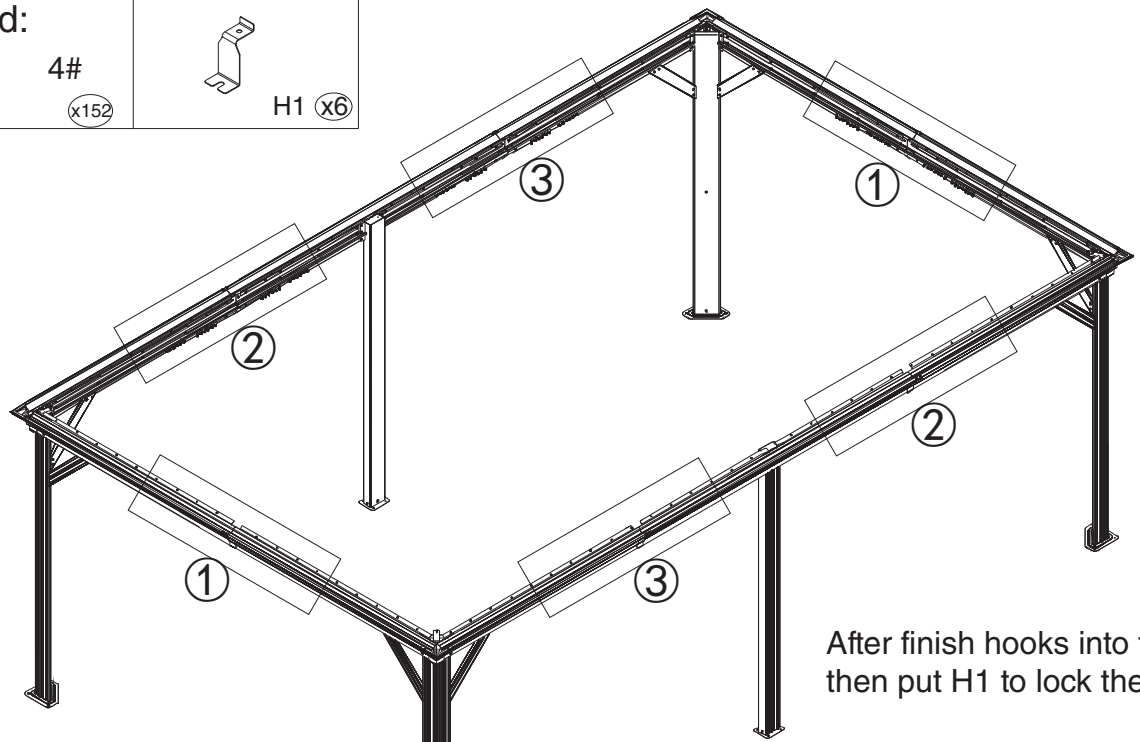
(x152)



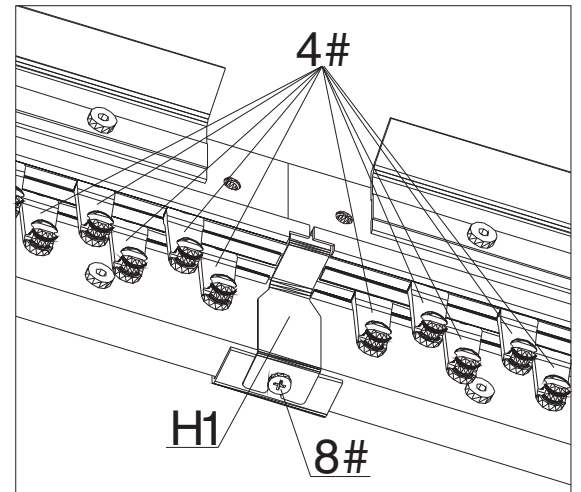
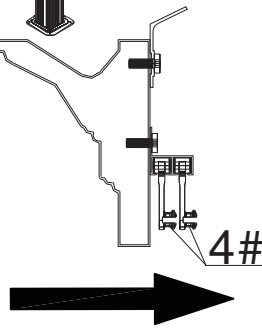
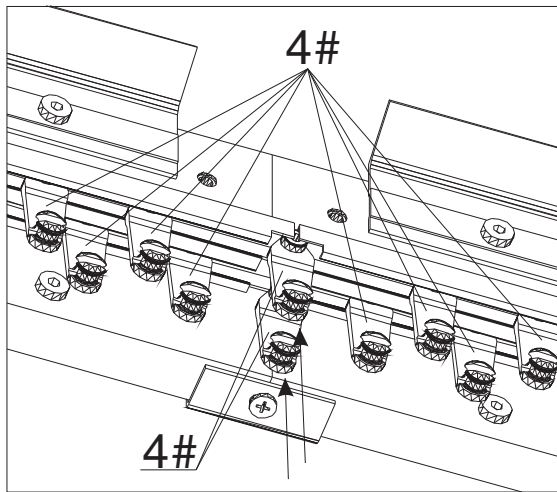
H1

(x6)

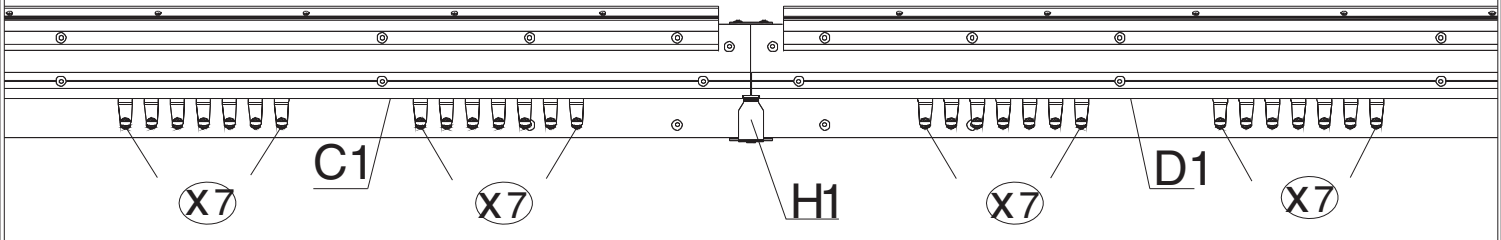
Step 7:



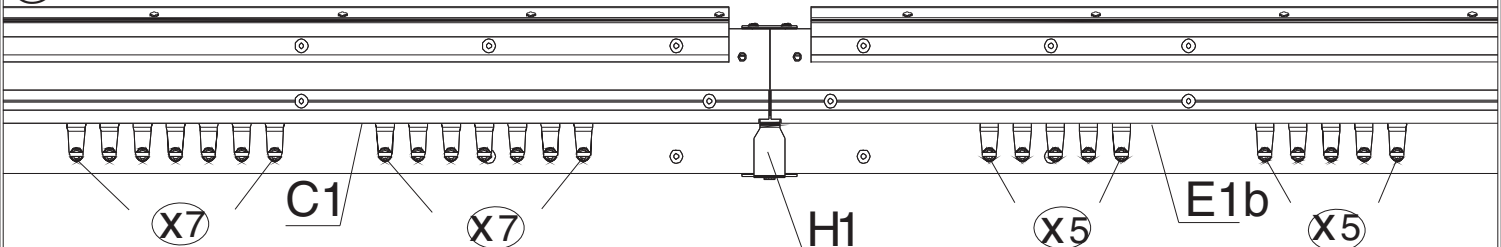
After finish hooks into tracks, then put H1 to lock them.



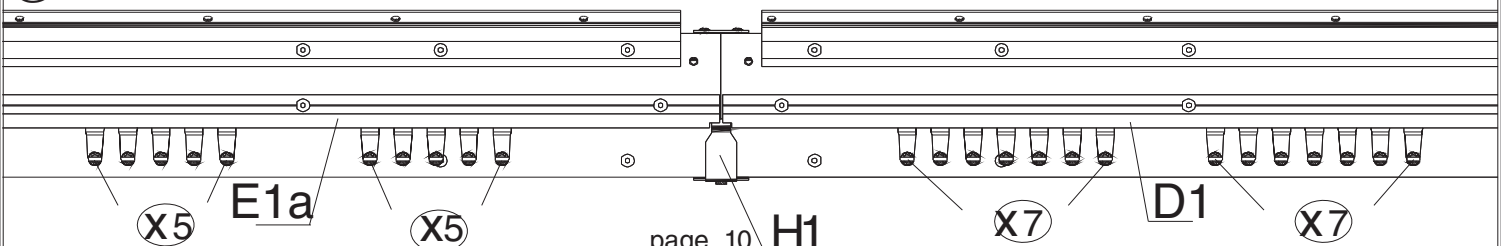
① Put 7 hooks to each slot of sidewall track (Part C1/Part D1)




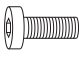
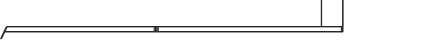



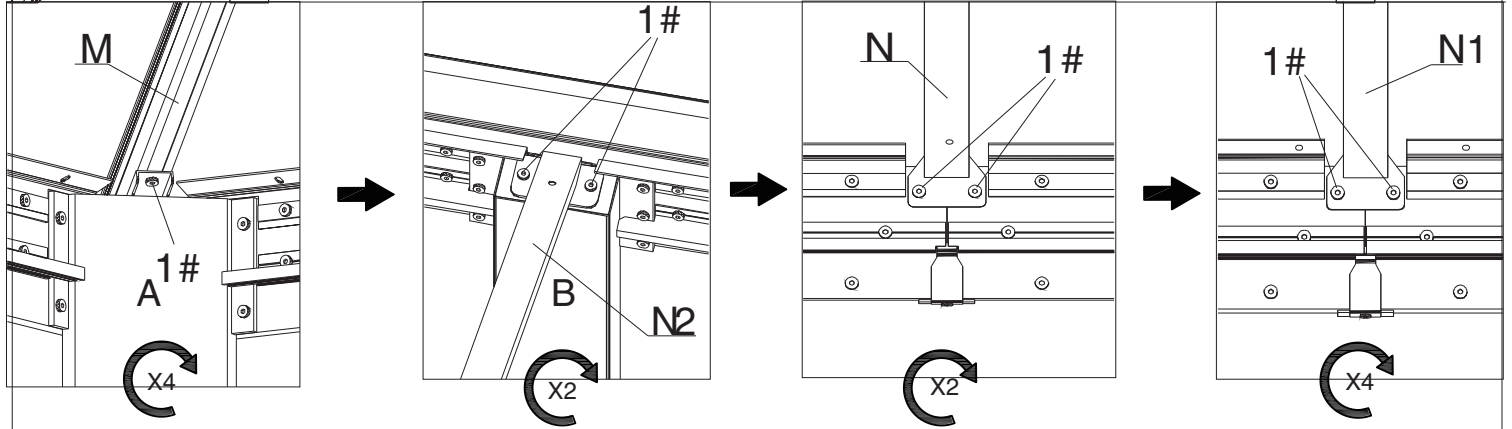
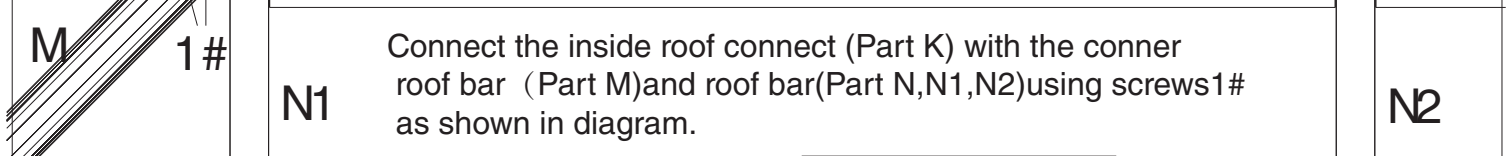
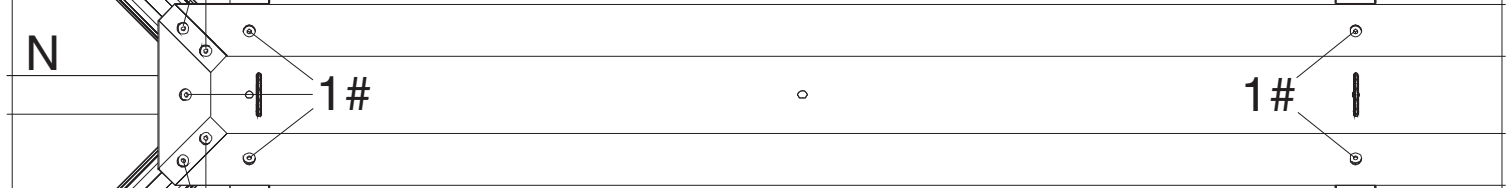
② Put 7 hooks to each slot of sidewall track Part C1 and 5 hooks to each slot sidewall track Part E1b.



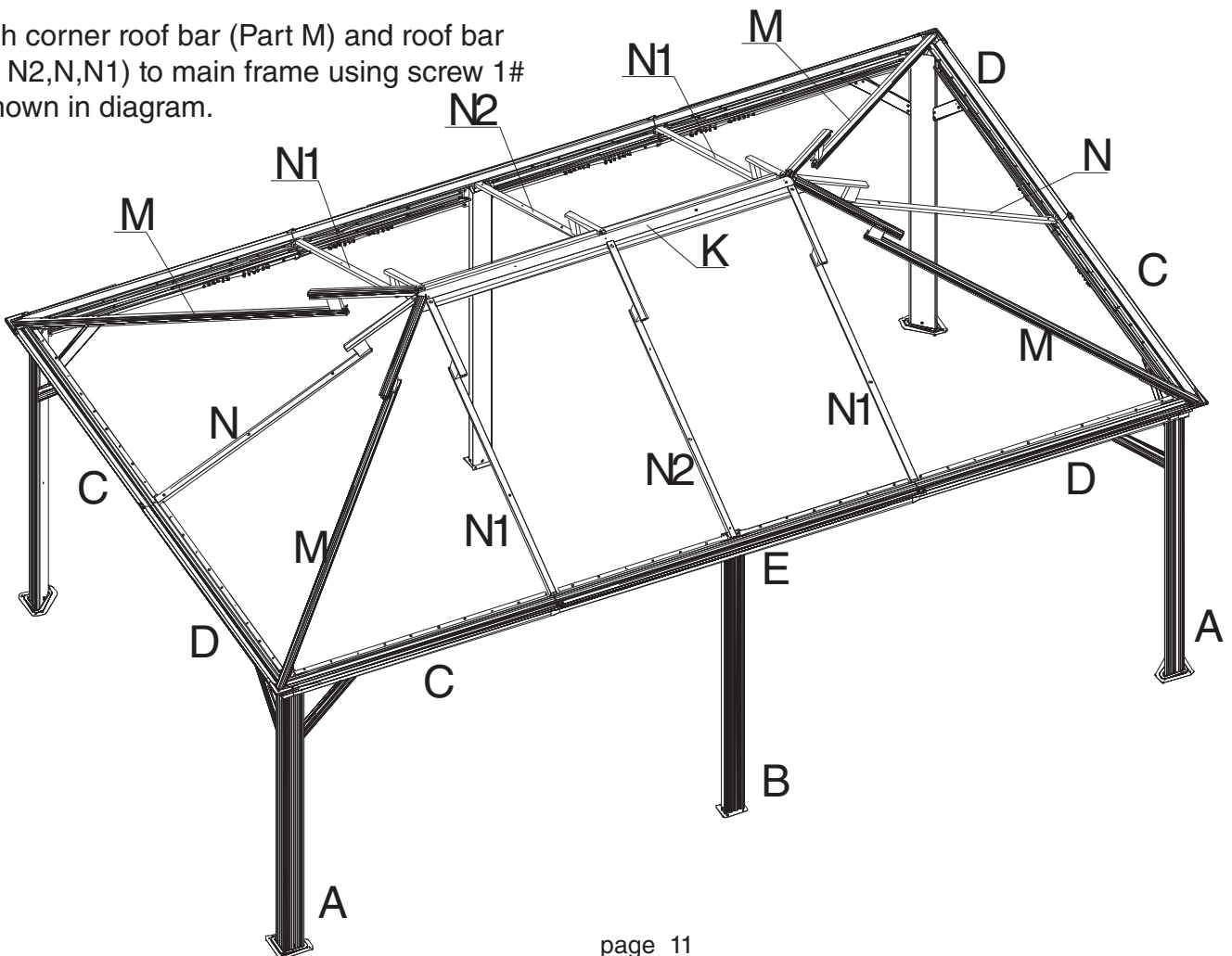
③ Put 7 hooks to each slot of sidewall track Part D1 and 5 hooks to each slot sidewall track Part E1a.



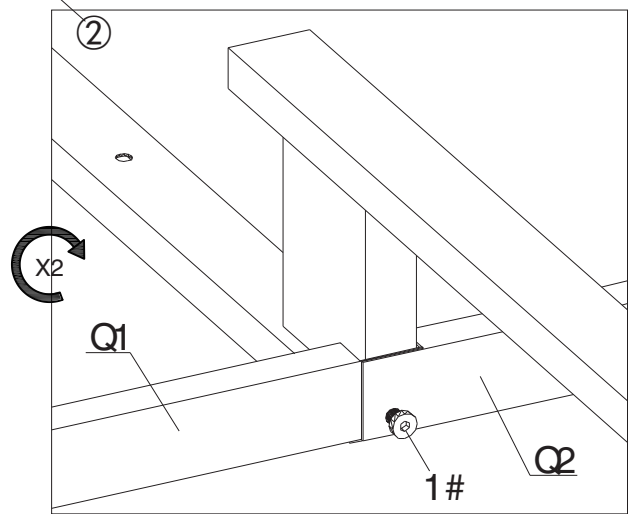
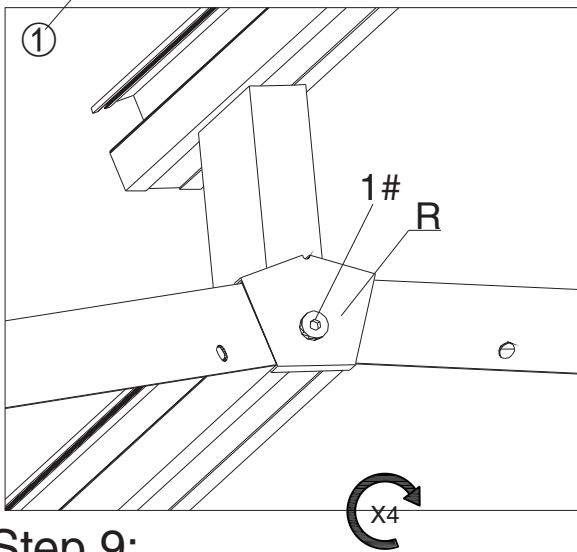
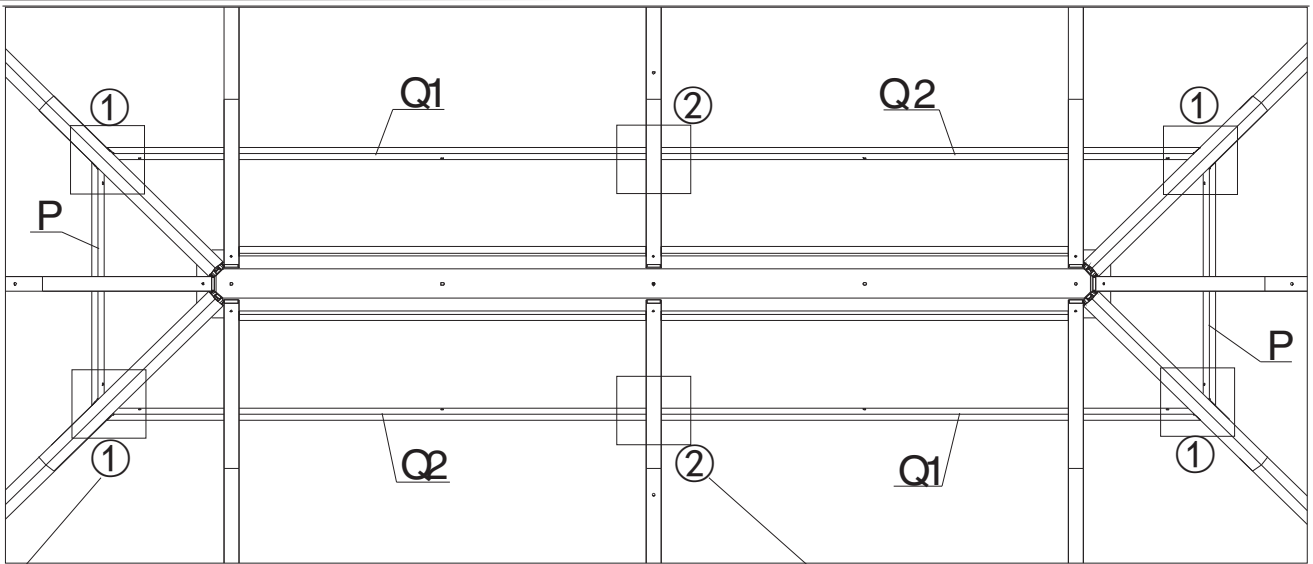
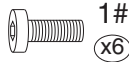
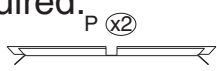
Parts Required:  K (x1)  N (x2)  M (x4)  1# (x36)  N1 (x4)  N2 (x2)



Attach corner roof bar (Part M) and roof bar (Part N2, N, N1) to main frame using screw 1# as shown in diagram.



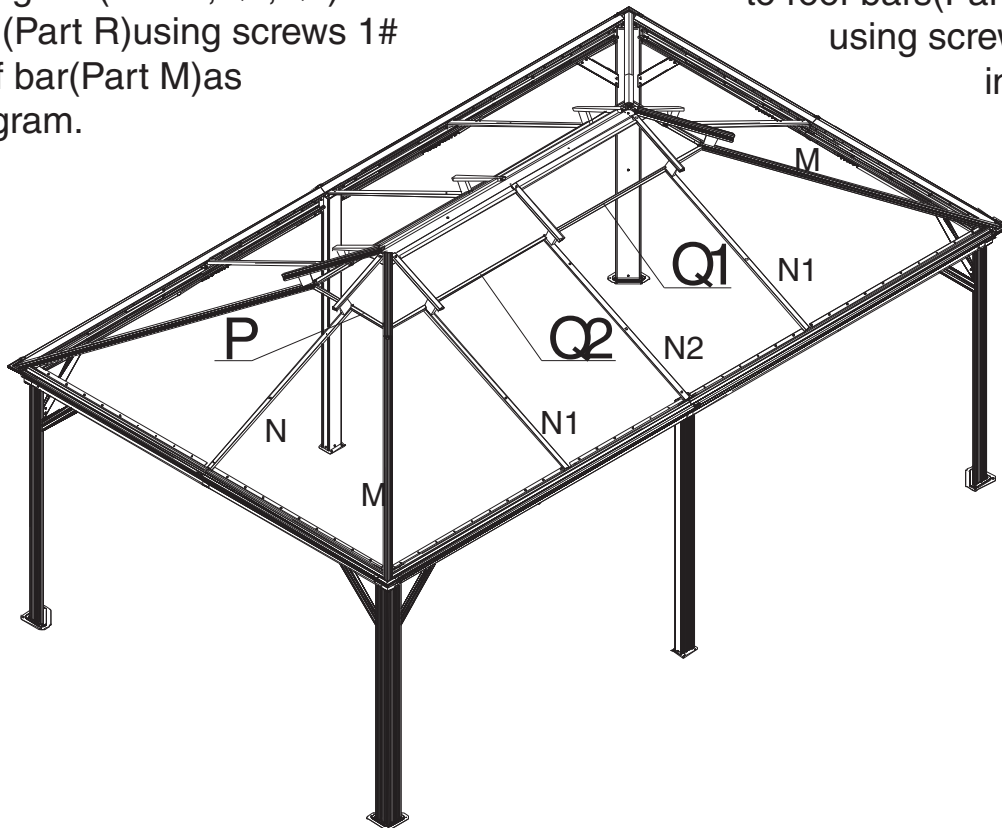
Parts Required:



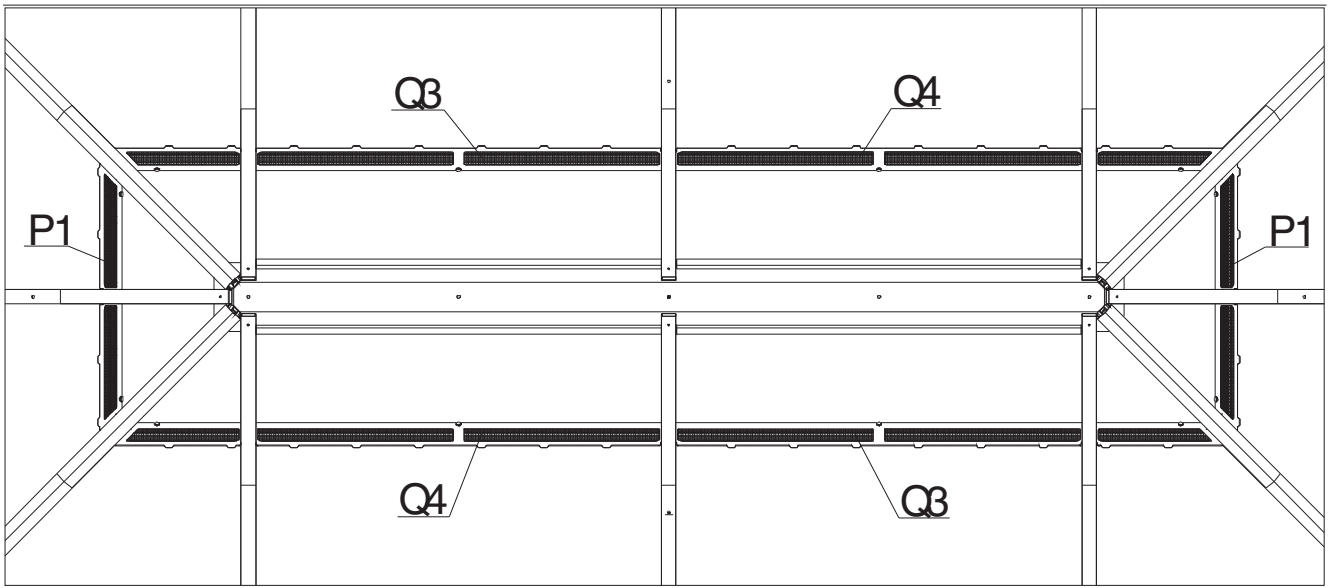
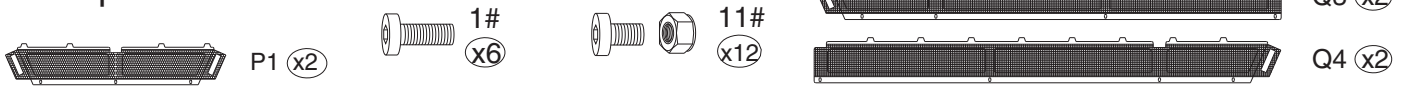
Step 9:

Attach finishing bar (Part P, Q1, Q2) with finishing end (Part R) using screws 1# to corner roof bar (Part M) as shown in diagram.

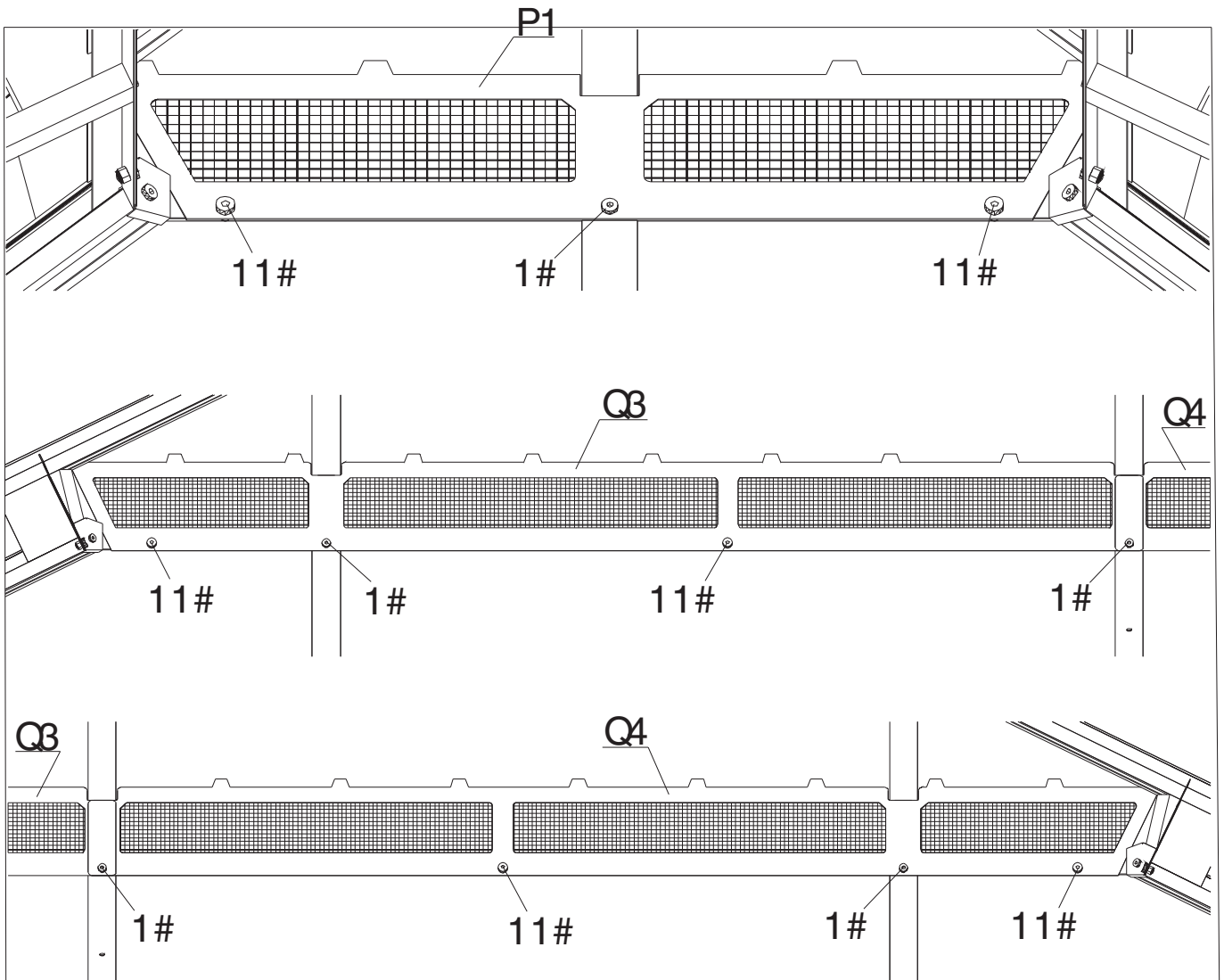
Affix finishing bar (Part Q1&Q2) to roof bars (Part N, N1&N2) using screws 1# as shown in diagram.



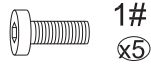
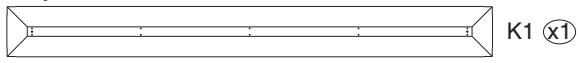
Parts Required:



Step 10: Attach net frame (Part P1,Q3&Q4) to finishing bar (Part Q1,Q2&P) using screws 11#&1# as shown in diagram.

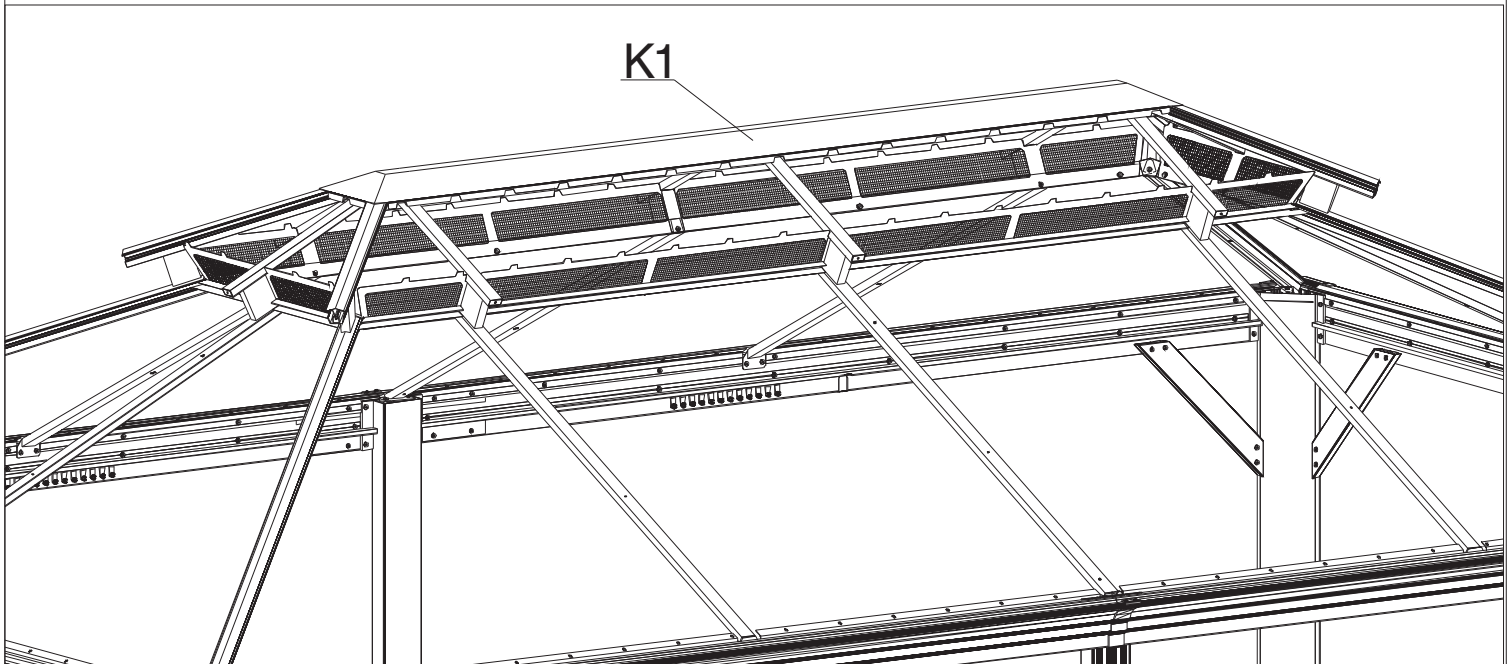
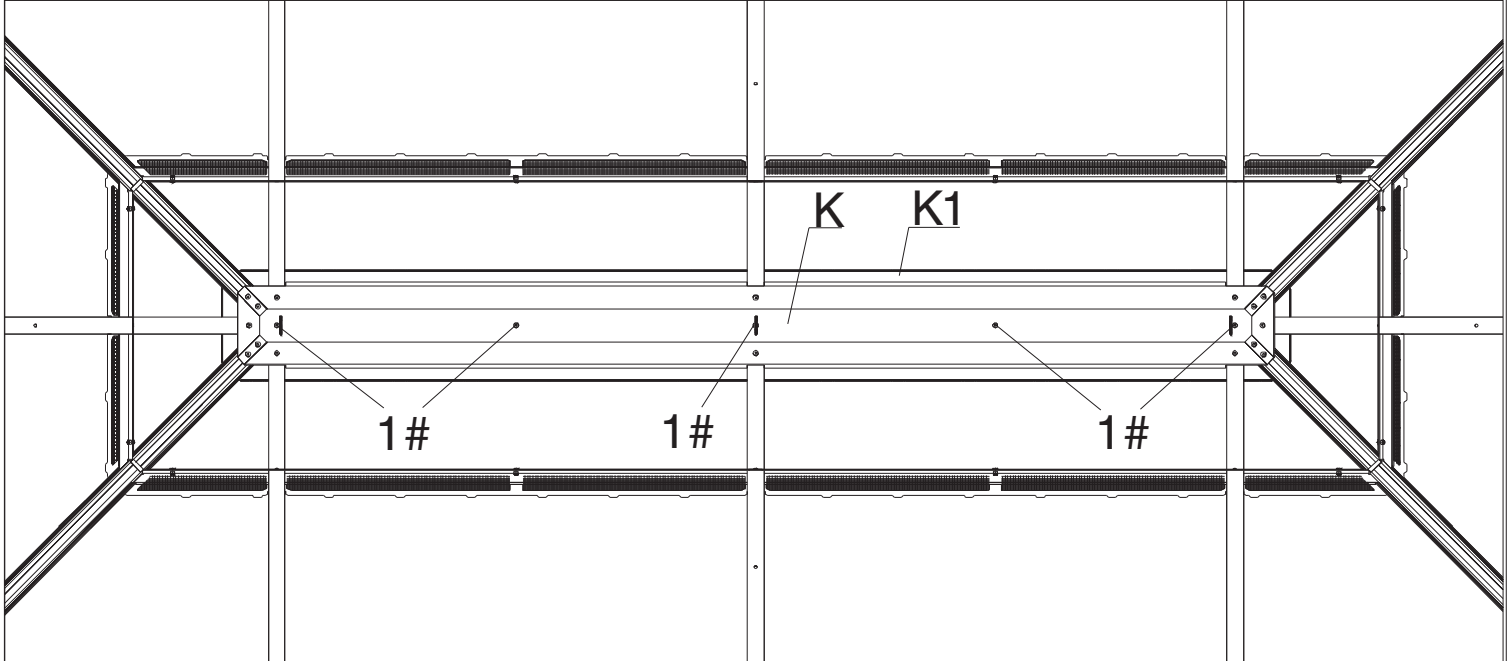


Parts Required:

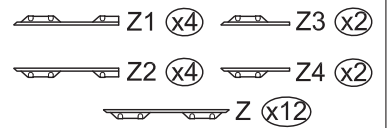
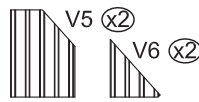
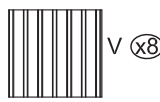
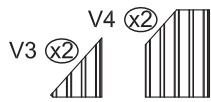


Step 11:

Connect outside roof connector (Part K1) to inside roof (Part K) using screws 1# as shown in diagram.

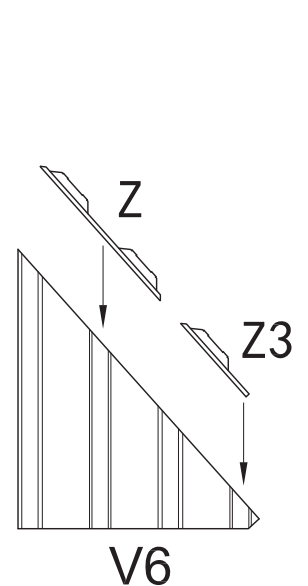
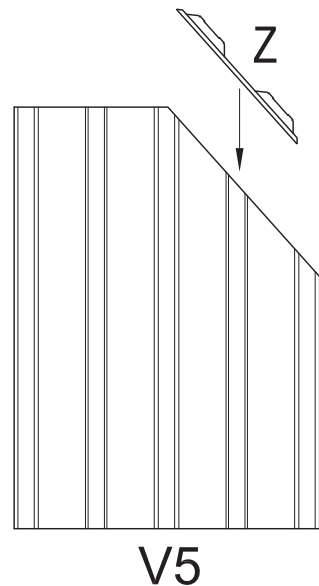
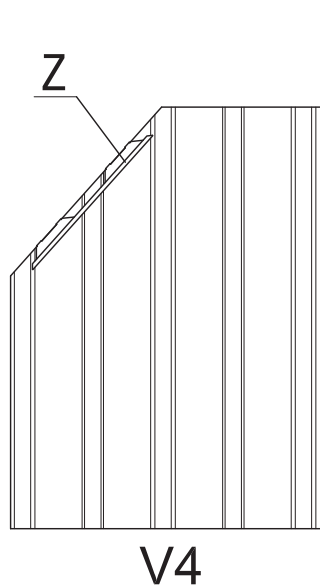
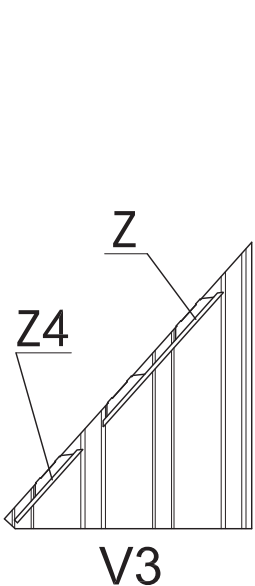
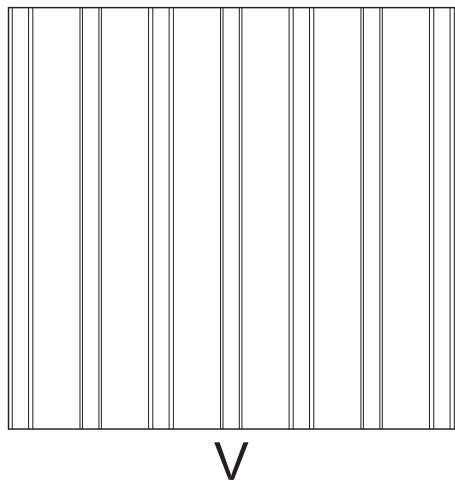
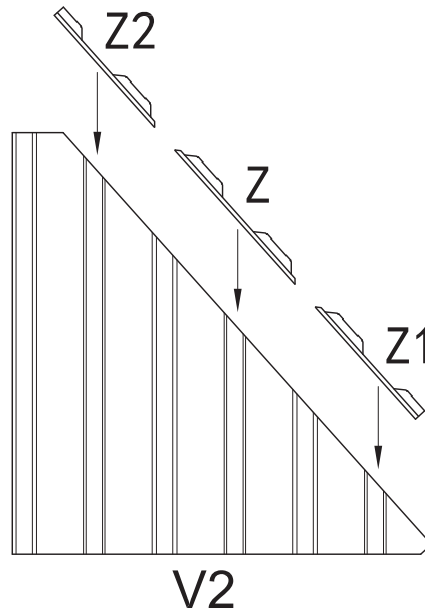
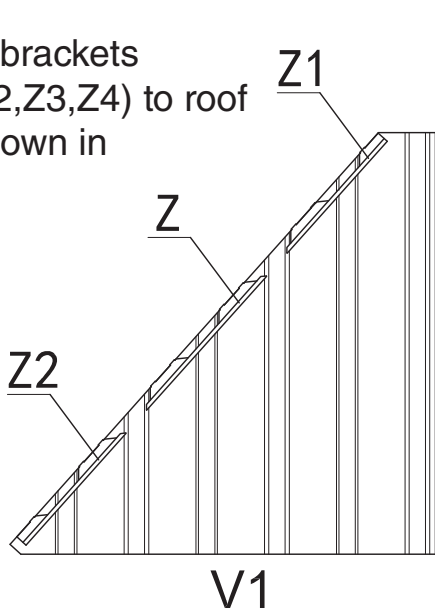


Parts Required:



Step 12:

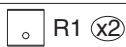
Cover metal brackets (Part Z,Z1,Z2,Z3,Z4) to roof panels as shown in the diagram.



Parts Required:



R (x4)



R1 (x2)



T (x2)

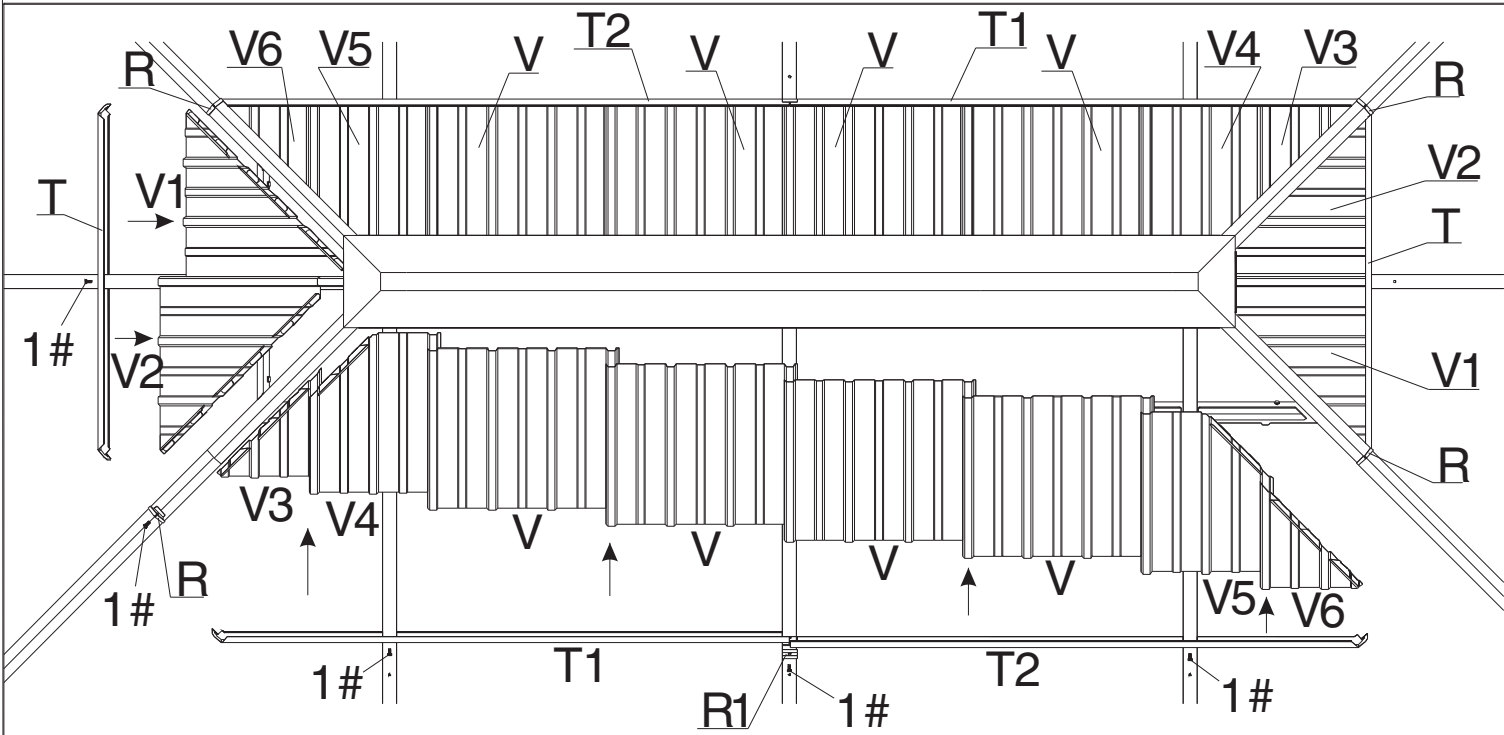
T1 (x2)

T2 (x2)

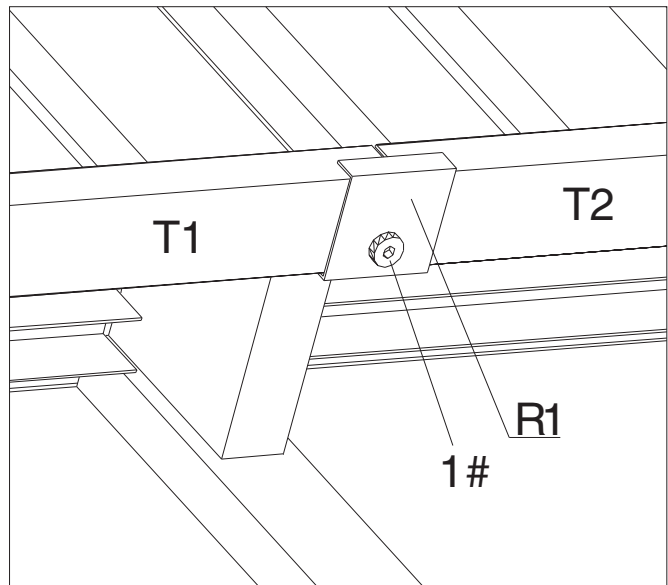
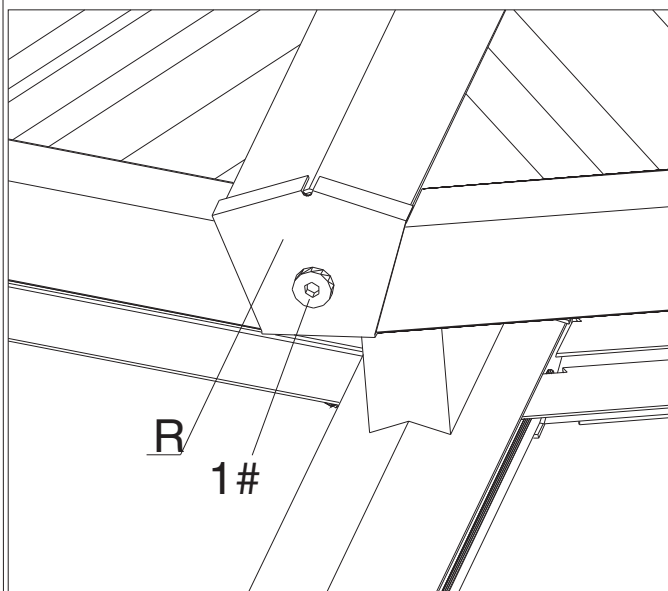


1#

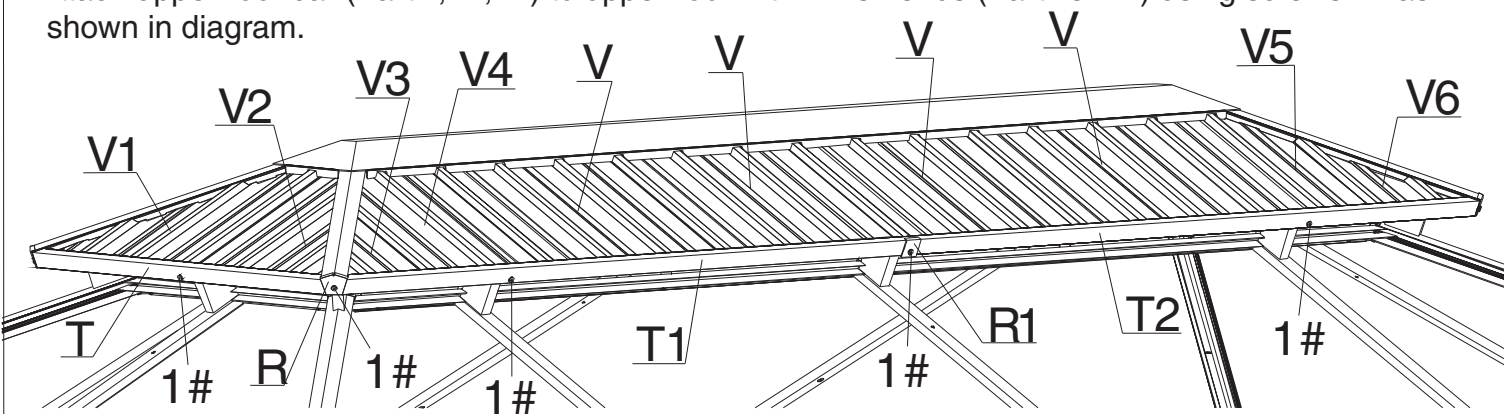
(x12)



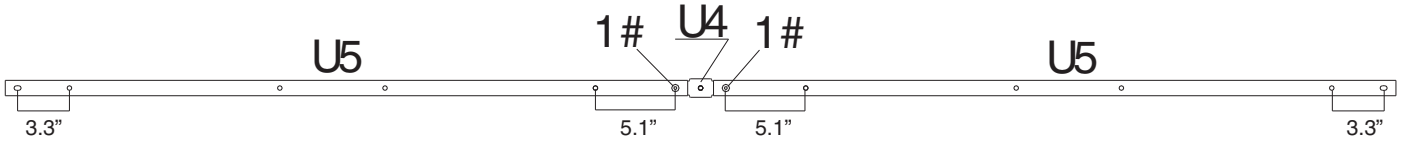
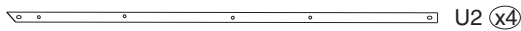
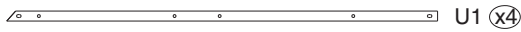
Step 13: Push the roof panels (Part V, V1, V2, V3, V4) to upper roof as shown in diagram.



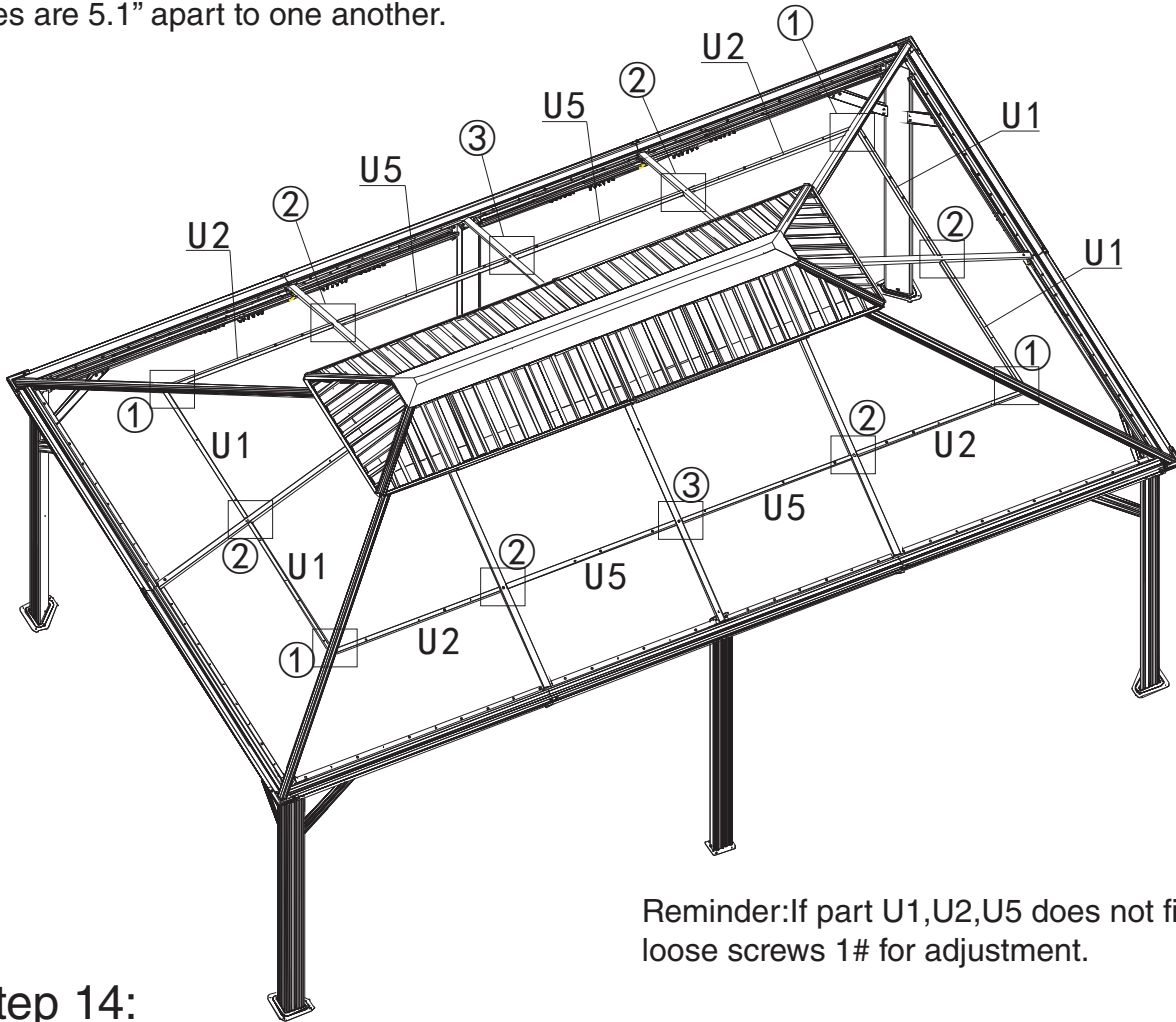
Attach upper roof bar (Part T, T1, T2) to upper roof with Finish ends (Part R & R1) using screws 1# as shown in diagram.



Parts Required:



Attention: Connect the U5 bars at the ends where the holes are 5.1" apart to one another.

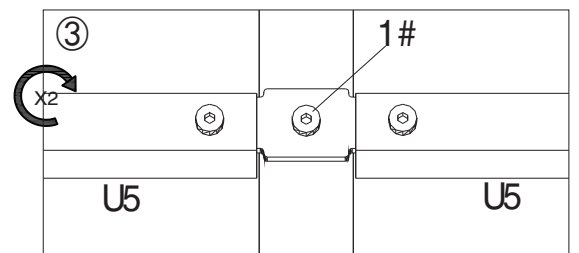
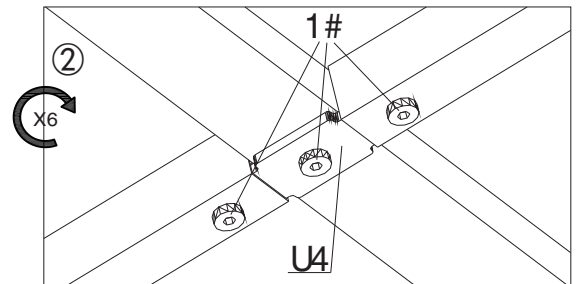
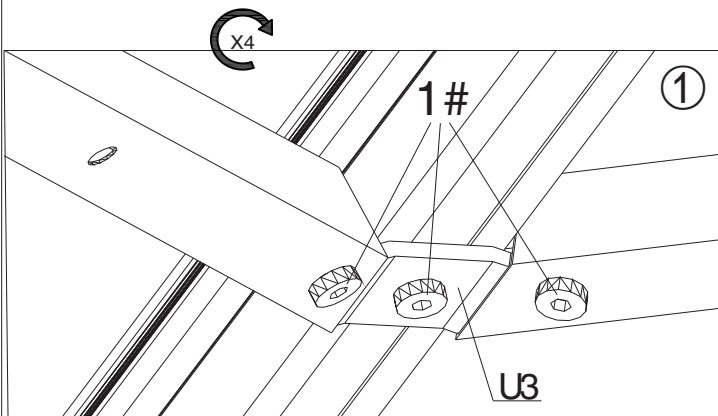


Reminder: If part U1, U2, U5 does not fix well, loose screws 1# for adjustment.

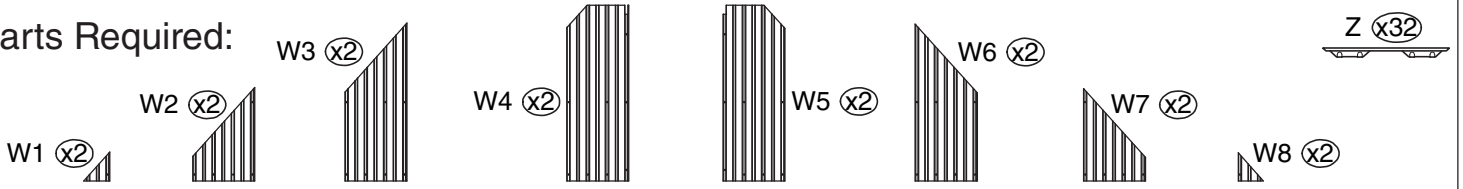
Step 14:

Affix solidifying bars to corner bar using iron angle (Part U3) and screw 1# as shown in diagram.

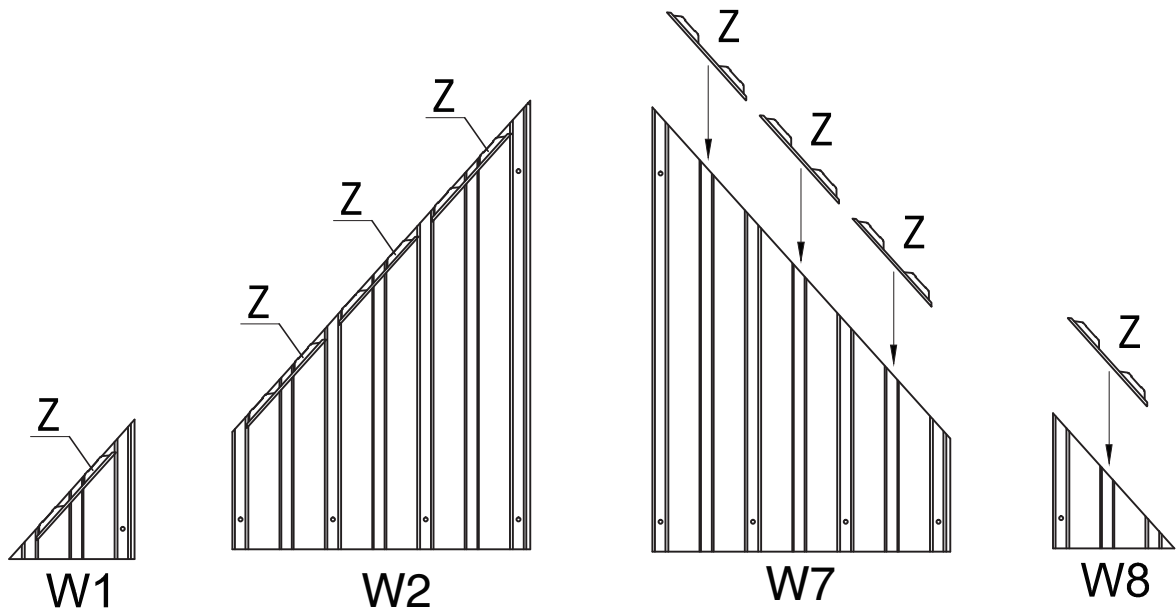
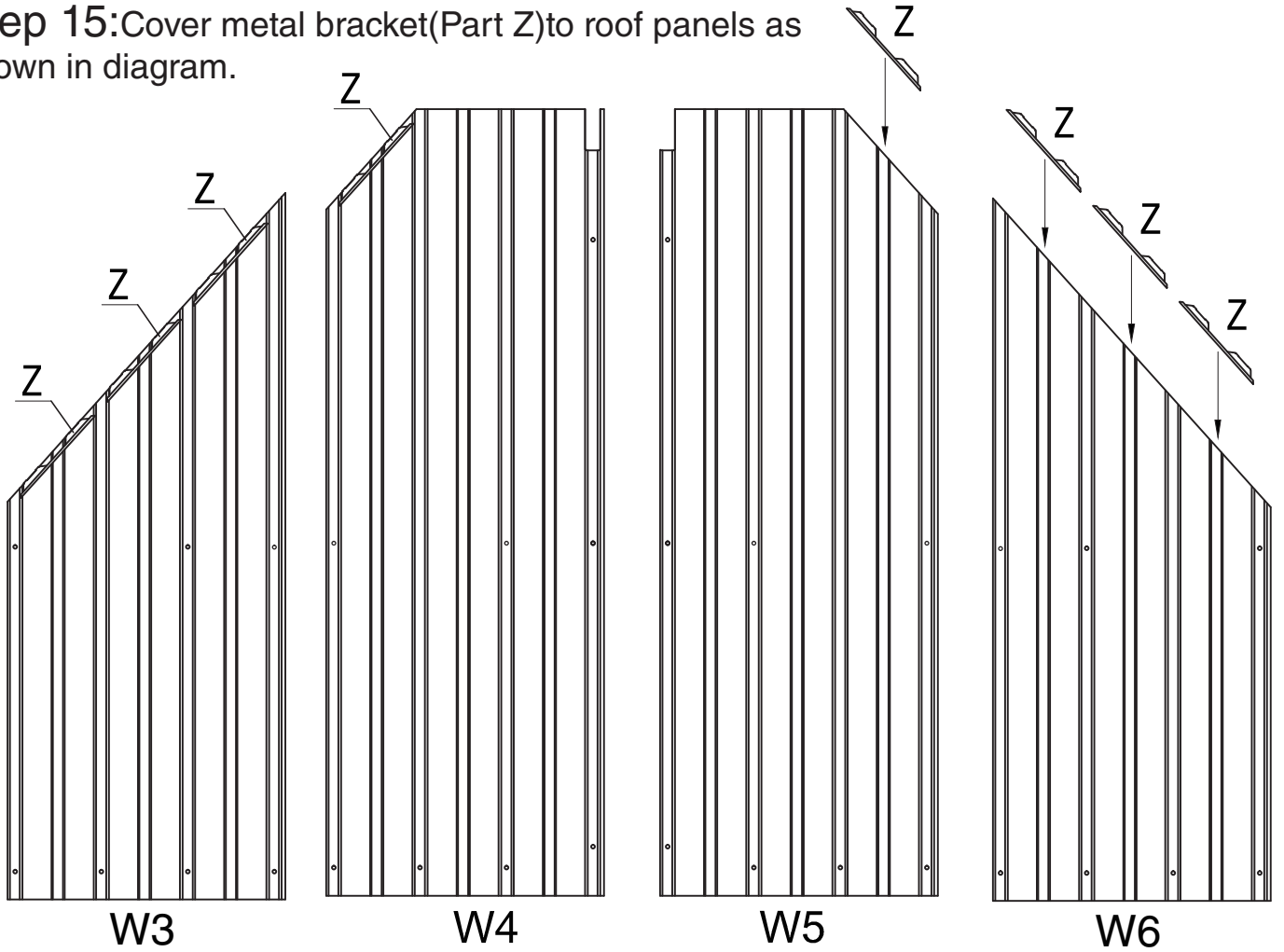
Attach solidifying bars (Part U2&U5) or (Part U1) together to roof bar using iron angle (Part U4) and screws 1# as shown in diagram.



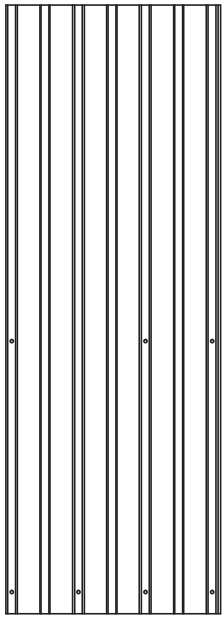
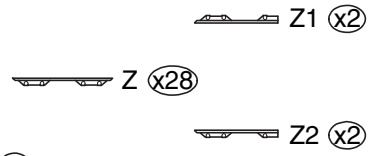
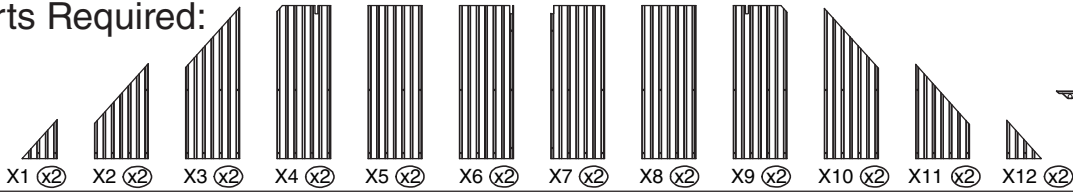
Parts Required:



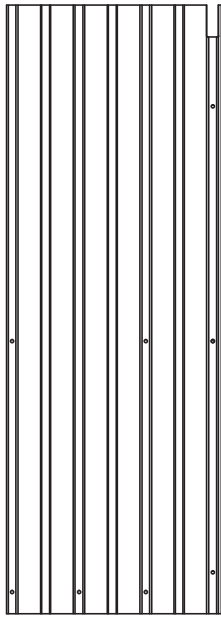
Step 15: Cover metal bracket (Part Z) to roof panels as shown in diagram.



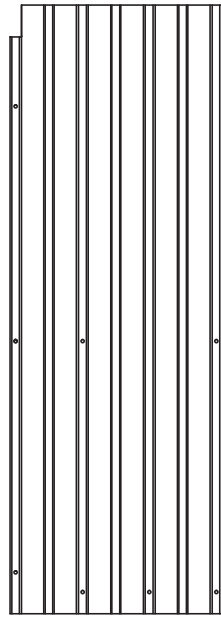
Parts Required:



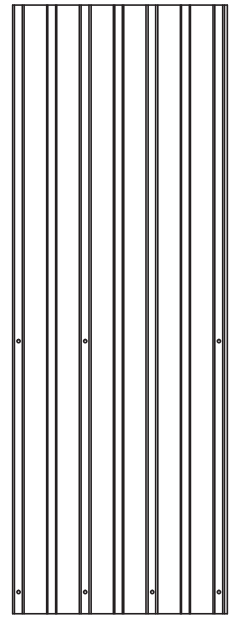
X5



X6

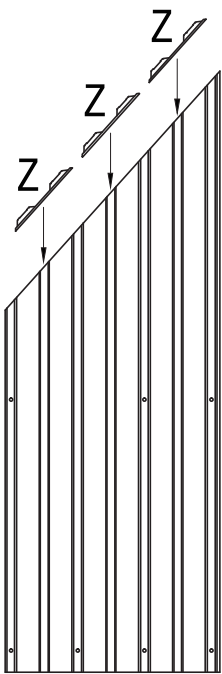


X7

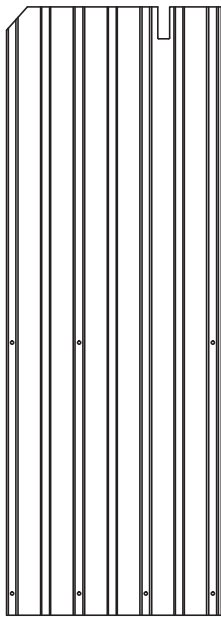


X8

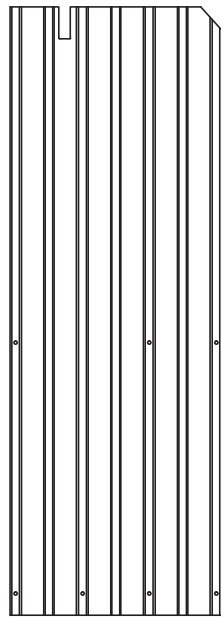
Step 16: Cover metal brackets (Part Z, Z2 & Z1) to roof panels as shown in diagram.



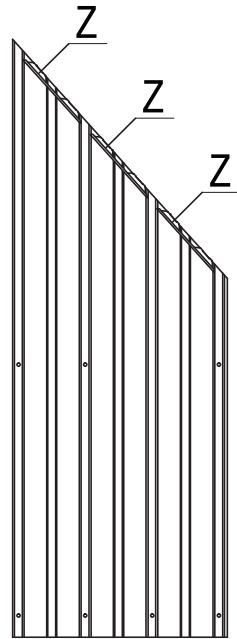
X3



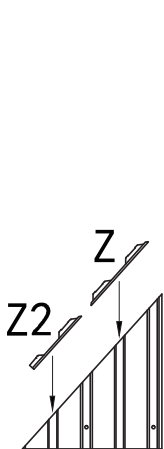
X4



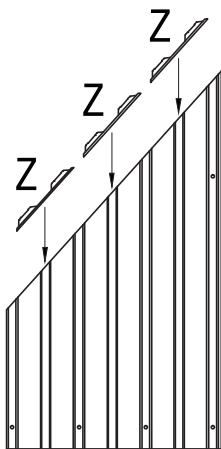
X9



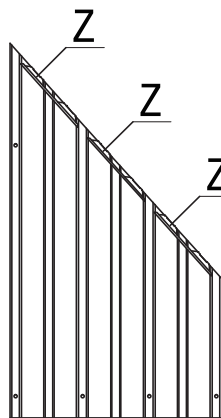
X10



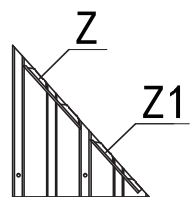
X1



X2



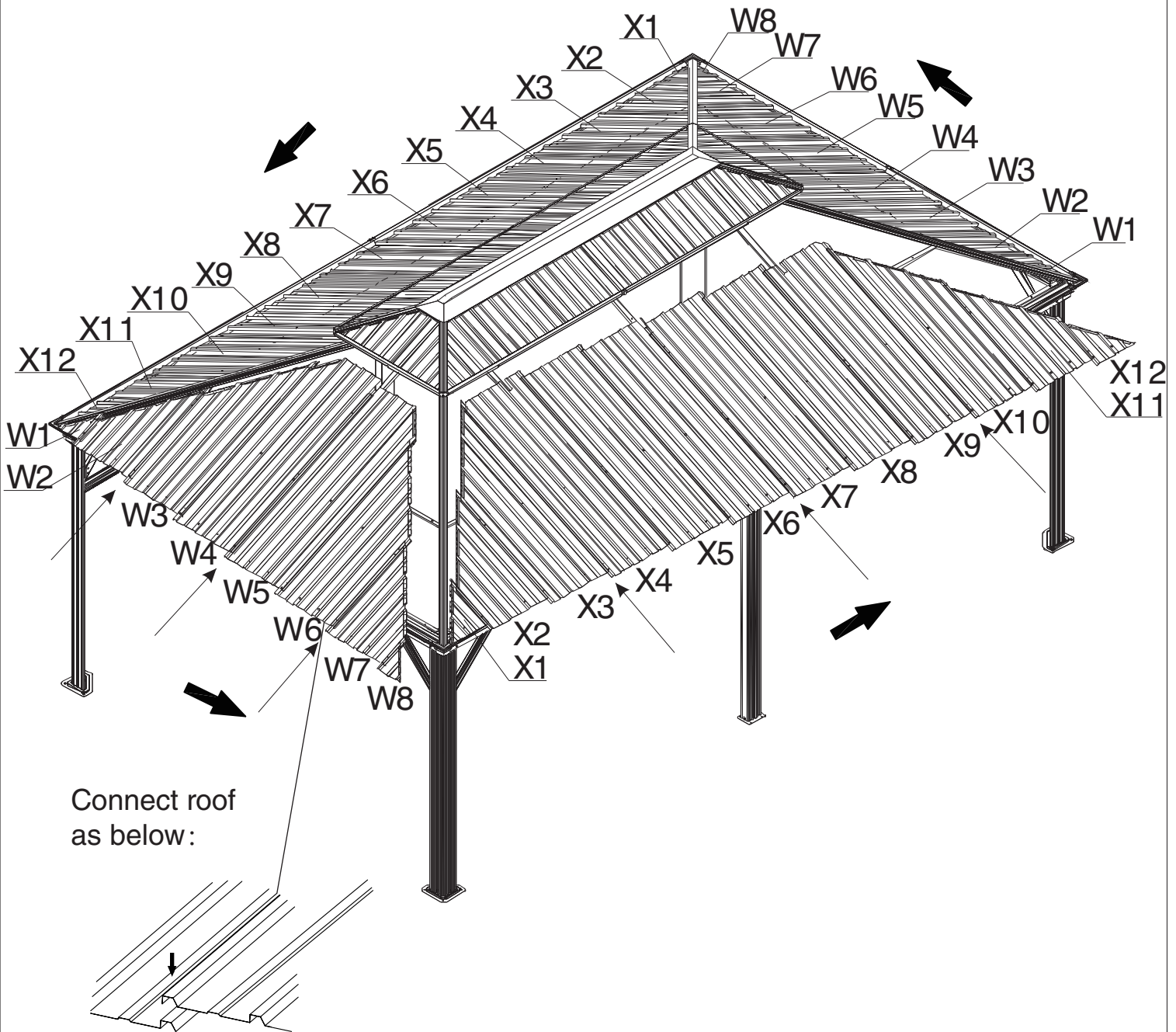
X11



X12

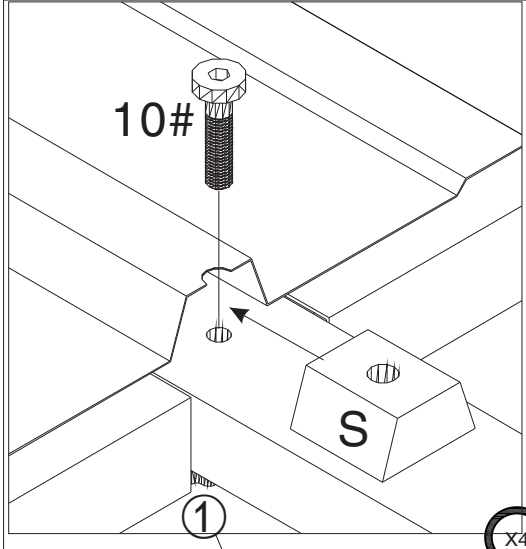
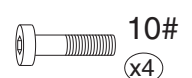
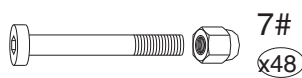
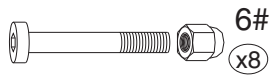
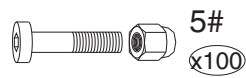
Overall roof assembly:

Please put the panels on the frame anti-clockwisely



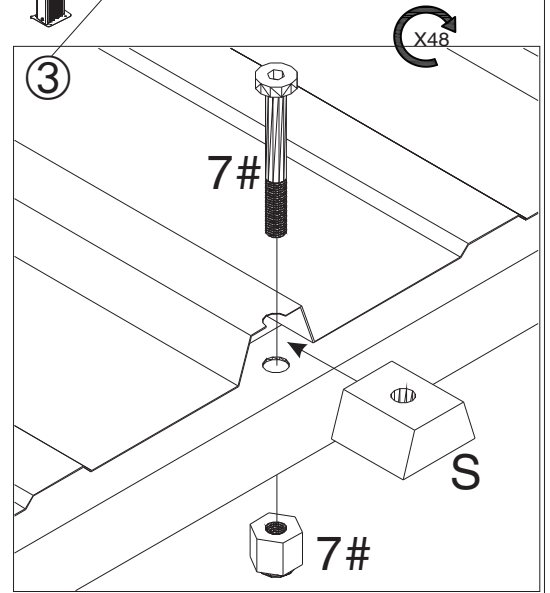
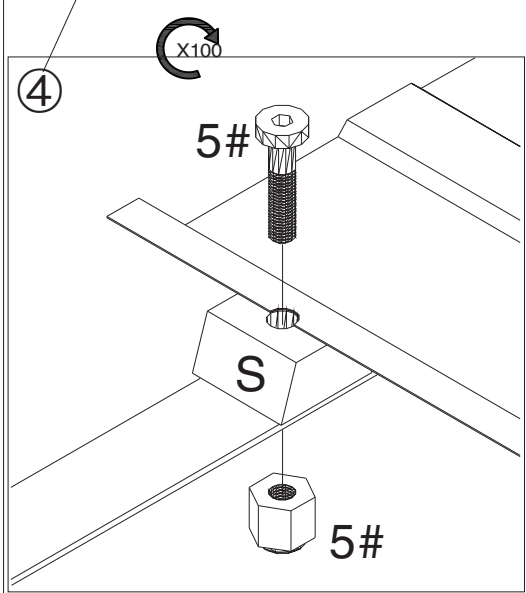
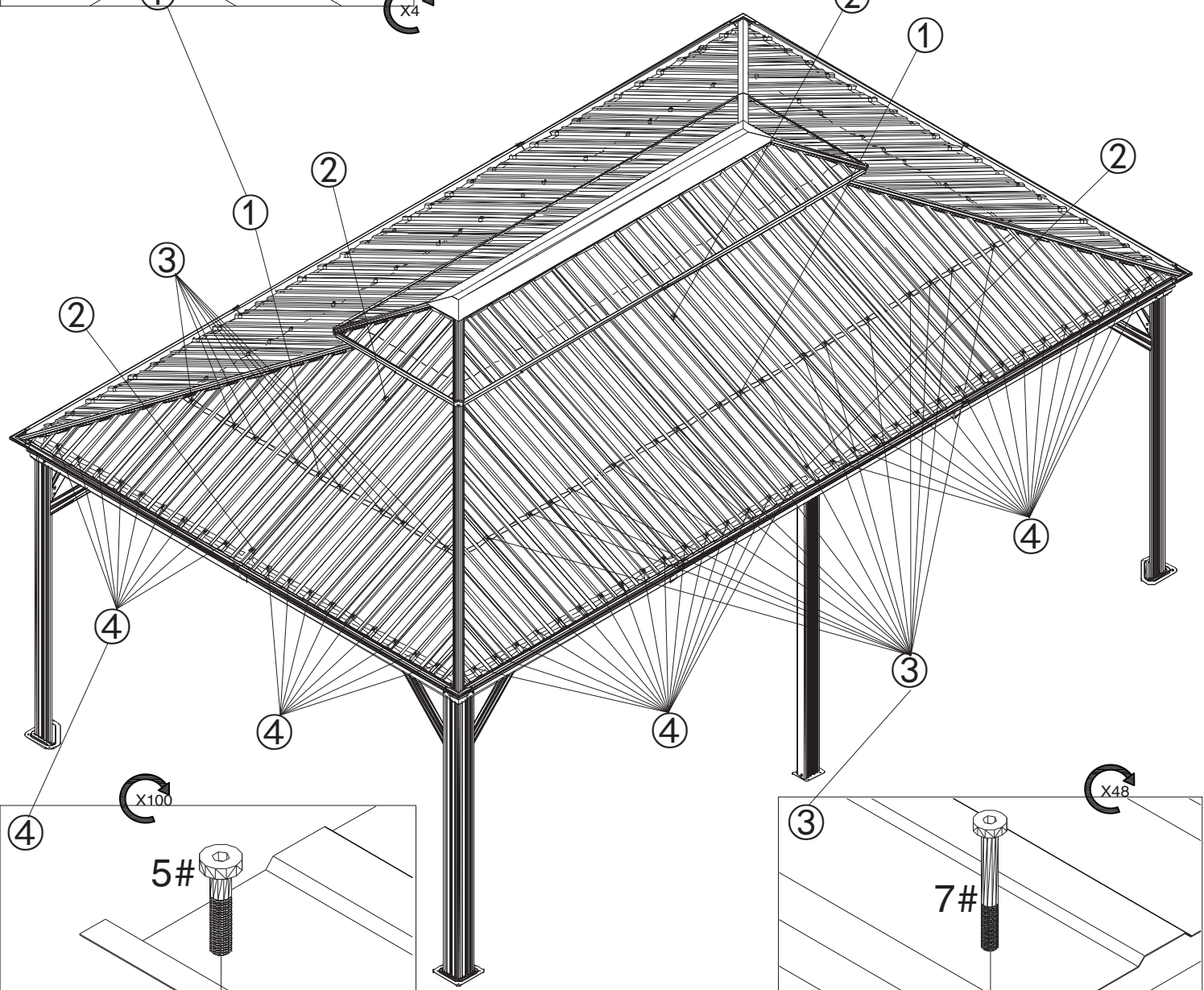
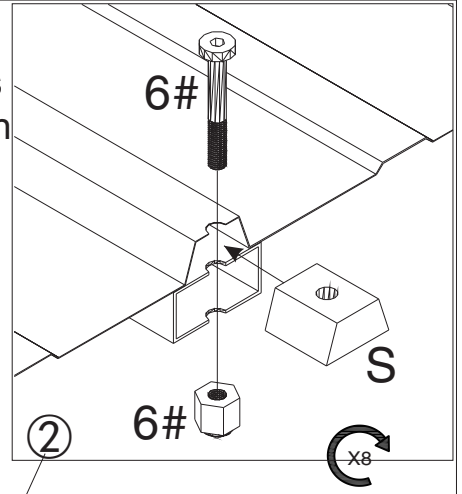
Parts Required:

S x160

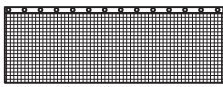


Step 17:
Affix roof panels using screws and spacers(Part S) as shown in diagram.

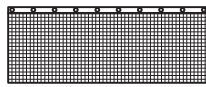
Attention:
Put on one roof panel and fasten it accordingly before attaching second roof panel.



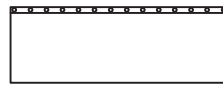
Parts Required:



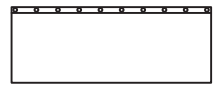
Y (x4)



Y1 (x2)

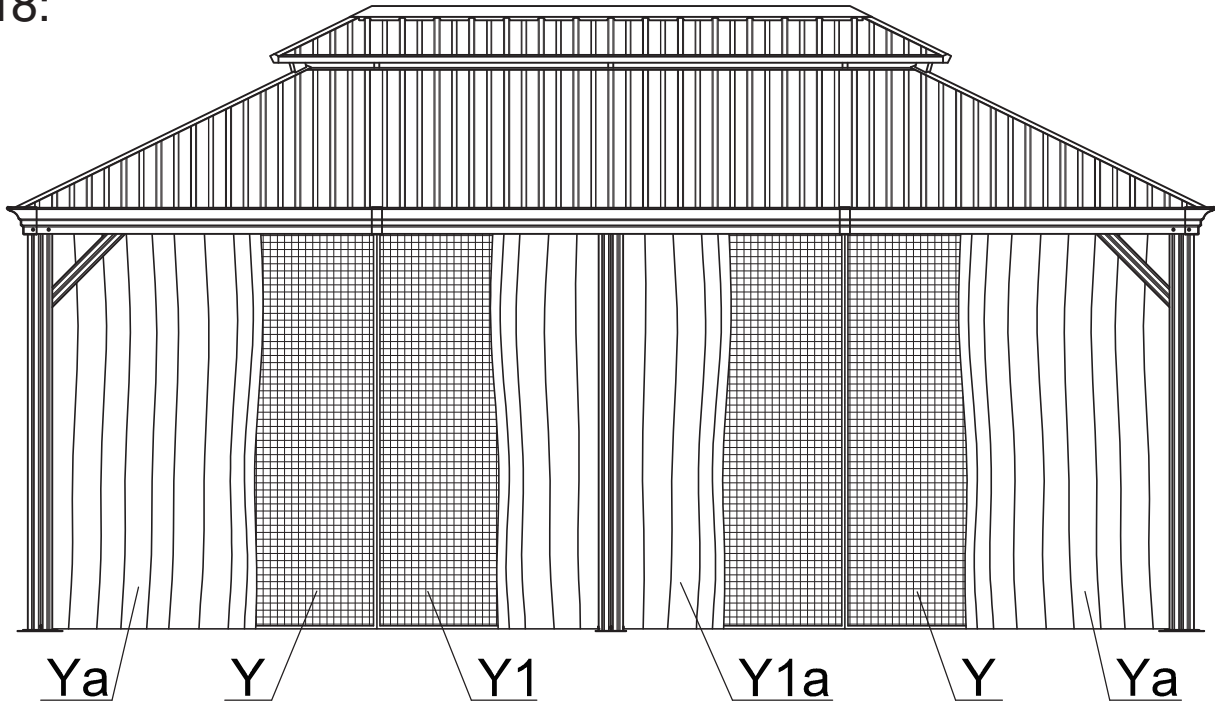


Ya (x4)

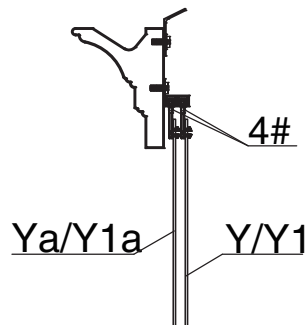
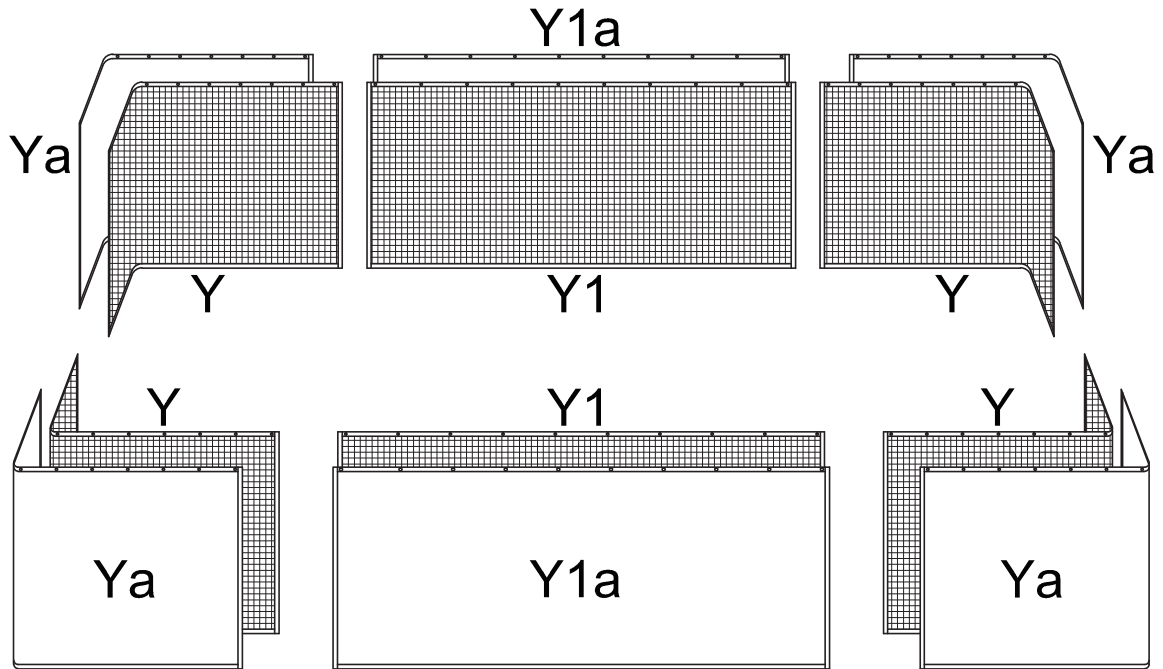


Y1a (x2)

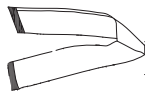
Step 18:



1. Put on mosquito sidewalls and solid sidewalls as shown in diagram.



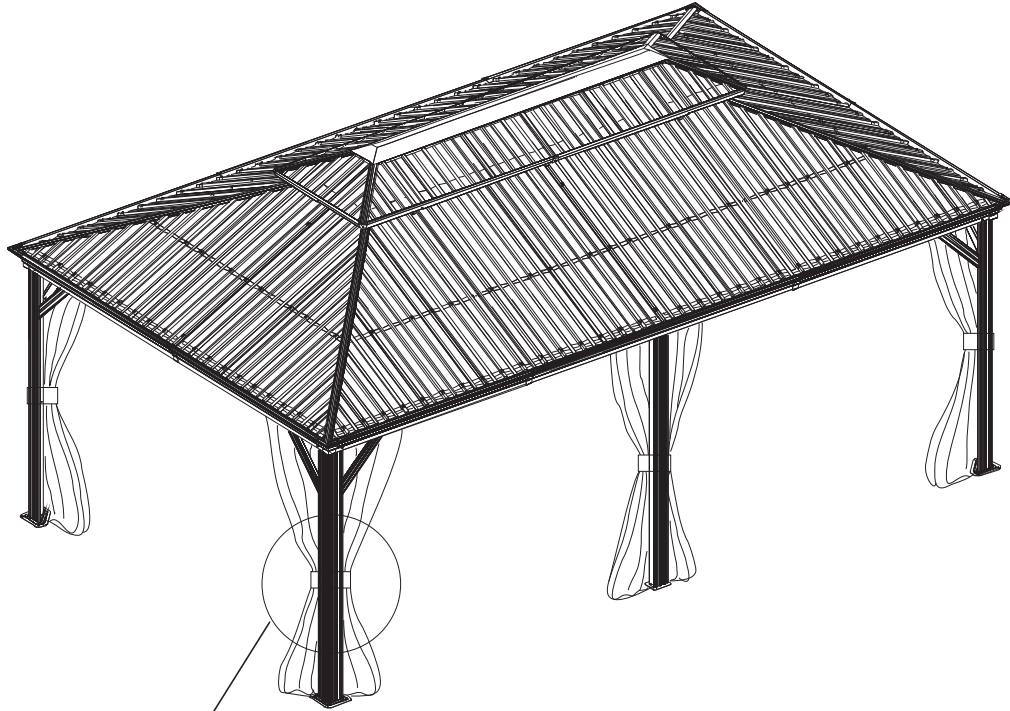
Parts Required:



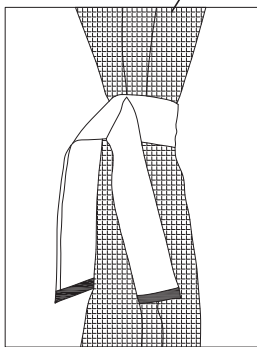
X6

Step 19:

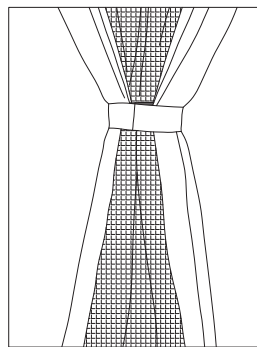
When you close the curtain, please tie fabric strape to fix with poles as shown in diagram.



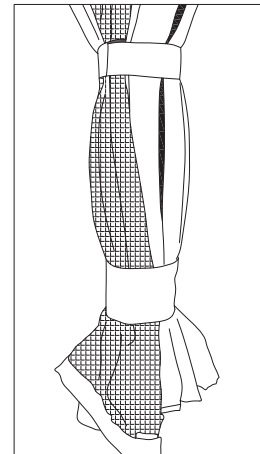
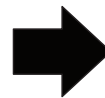
There are three ways to secruce your netting and curtains to the legs using the include 4 ties :



1.) Securing just the netting.



2.) Securing netting and curtains.



3.) Use all ties for winding conditions.

In the end, Check all screws are fixed tightly before using.



Enjoy Cozy Life!

SUPPORT:

Toll free: 1-866-355-0018

www.kozyard.com

email: support@kozyard.com

SOCIAL MEDIA:



Follow us on Instagram

www.instagram.com/kozyard

Upload a picture of your Kozyard product in your home, with the hashtag #kozyard to receive \$20 Kozyard Gift Card.

Kozyard LLC
2825 80th AVE SE, Suite 202
Mercer Island, WA 98040