

ASSEMBLY INSTRUCTIONS



Fine Furniture for every stage of life

California King Bed

REVISION 0: 08/10/2018
REVISION 1: 04/22/2019
REVISION 2: 09/12/2019

ASSEMBLY INSTRUCTIONS

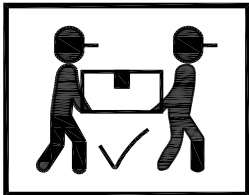
ASSEMBLY TIPS:

1. Remove hardware from box and sort by size.
2. Please check to see that all hardware and parts are present prior to start of assembly.
3. Please follow attached instructions in the same sequence as numbered to assure fast & easy assembly.



WARNING!

1. Don't attempt to repair or modify parts that are broken or defective. Please contact the store immediately.
2. This product is for home use only and not intended for commercial establishments.



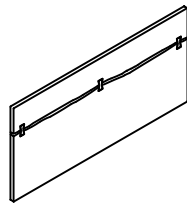
ASSEMBLY TIME

30 MINUTES

PARTS IDENTIFICATION

B1 (BOX 1)

A HEADBOARD PANEL



1PC

B HEADBOARD LEG



2PCS

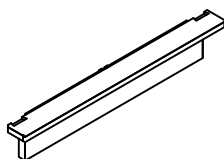
C CENTER RAIL SUPPORT



1PC

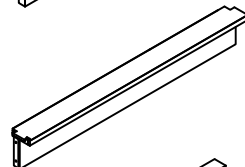
B2 (BOX 2)

D FOOTBOARD



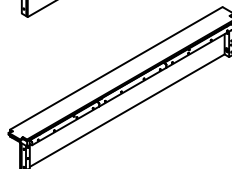
1PC

E RIGHT SIDE RAIL



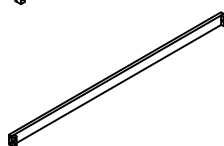
1PC

F LEFT SIDE RAIL



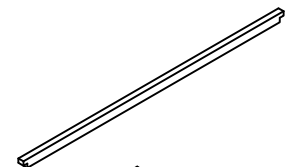
1PC

G TRESTLE BAR



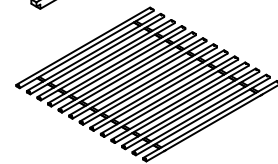
1PC

H CENTER RAIL



1PC

I ROLL SLAT (13PCS)



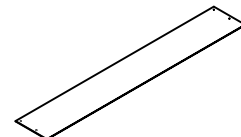
1SET

J CENTER RAIL SUPPORT WITH LEVELER



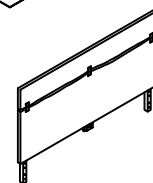
3PCS

K CONCEAL PANEL



1PC

HB HEADBOARD COMPLETE



1PC

NOTE :

Phillips head screw driver is required in the assembly process; however, manufacturer does not provide this item.

ASSEMBLY INSTRUCTIONS

ASSEMBLY TIPS:

1. Remove hardware from box and sort by size.
2. Please check to see that all hardware and parts are present prior to start of assembly.
3. Please follow attached instructions in the same sequence as numbered to assure fast & easy assembly.



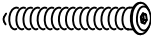
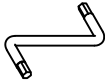





WARNING!

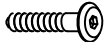

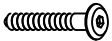
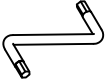
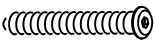

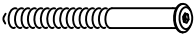




1. Don't attempt to repair or modify parts that are broken or defective. Please contact the store immediately.
2. This product is for home use only and not intended for commercial establishments.

HARDWARE IDENTIFICATION

Z - B1 (BOX 1) - HARDWARE PACK IS LOCATED IN (B1)

1	SHORT BOLT (M6 x 40mm - BLK)		2PCS	5	BIG FLAT WASHER (Ø20 x Ø8 x 2mm - BLK)		8PCS
2	LONG BOLT (M8 x 60mm - BLK)		8PCS	6	Z-ALLEN WRENCH (4mm - WHT)		1PC
3	LOCK WASHER (Ø13 x Ø8 x 2mm - BLK)		10PCS	7	ALLEN WRENCH (5mm - WHT)		1PC
4	SMALL FLAT WASHER (Ø16 x Ø6.5 x 1mm - BLK)		2PCS				

Z - B2 (BOX 2) - HARDWARE PACK IS LOCATED IN (B2)

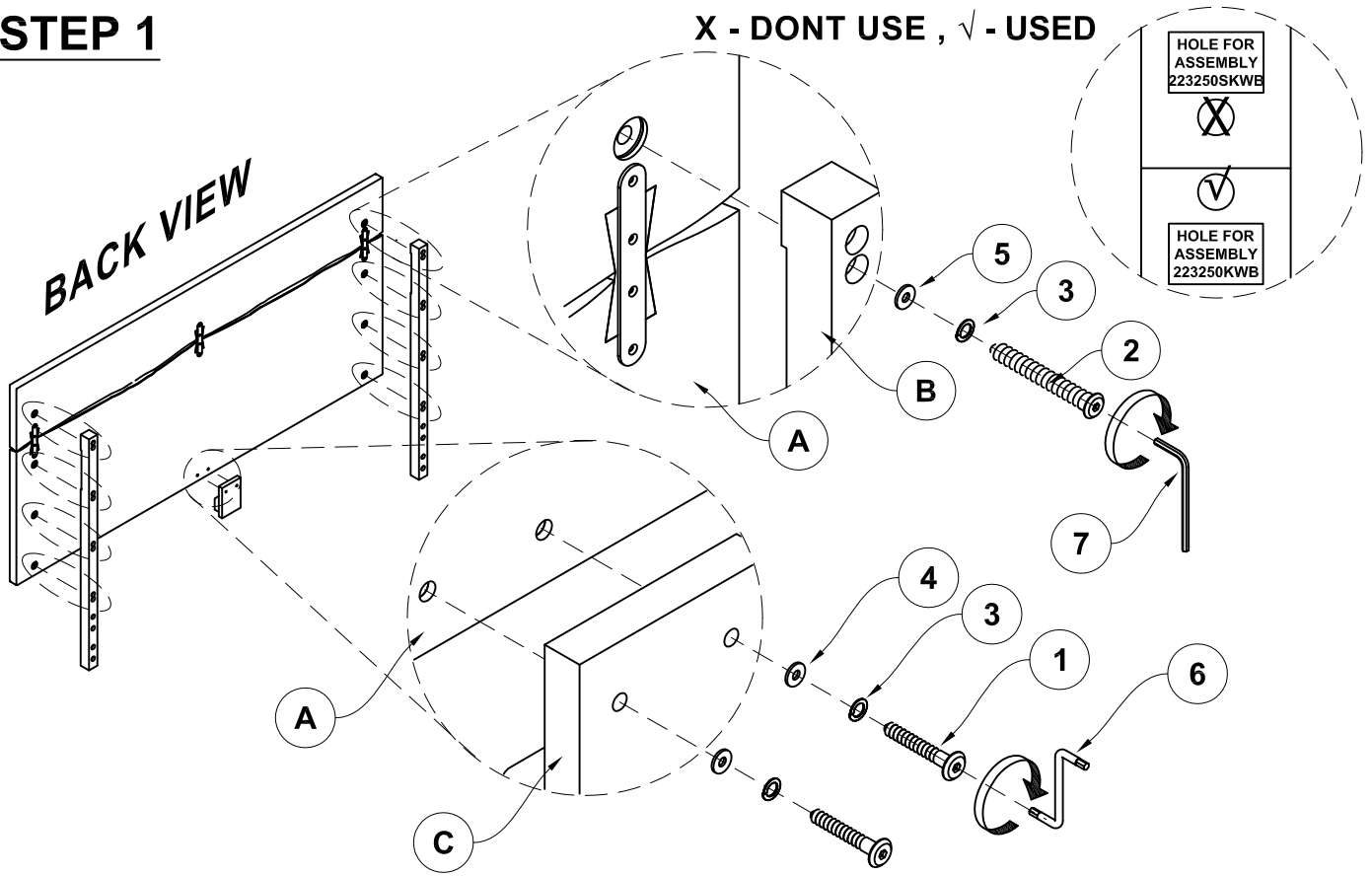
8	BOLT 1 (M6 x 40mm - BLK)		2PCS	14	SMALL FLAT WASHER (Ø16 x Ø6.5 x 1mm - BLK)		4PCS
9	BOLT 2 (M6 x 50mm - BLK)		2PCS	15	Z-ALLEN WRENCH (4mm - WHT)		1PC
10	BOLT 3 (M8 x 60mm - BLK)		4PCS	16	ALLEN WRENCH (5mm - BLK)		1PC
11	BOLT 4 (M8 x 90mm - BLK)		4PCS	17	LONG PAN HEAD SCREW (Ø7 x Ø1 1/4" - BLK)		26PCS
12	LOCK WASHER (Ø13 x Ø8 x 2mm - BLK)		12PCS	18	SHORT PAN HEAD SCREW (Ø6 x Ø5/8" - BLK)		4PCS
13	BIG FLAT WASHER (Ø18 x Ø8 x 1mm - BLK)		8PCS				

NOTE :

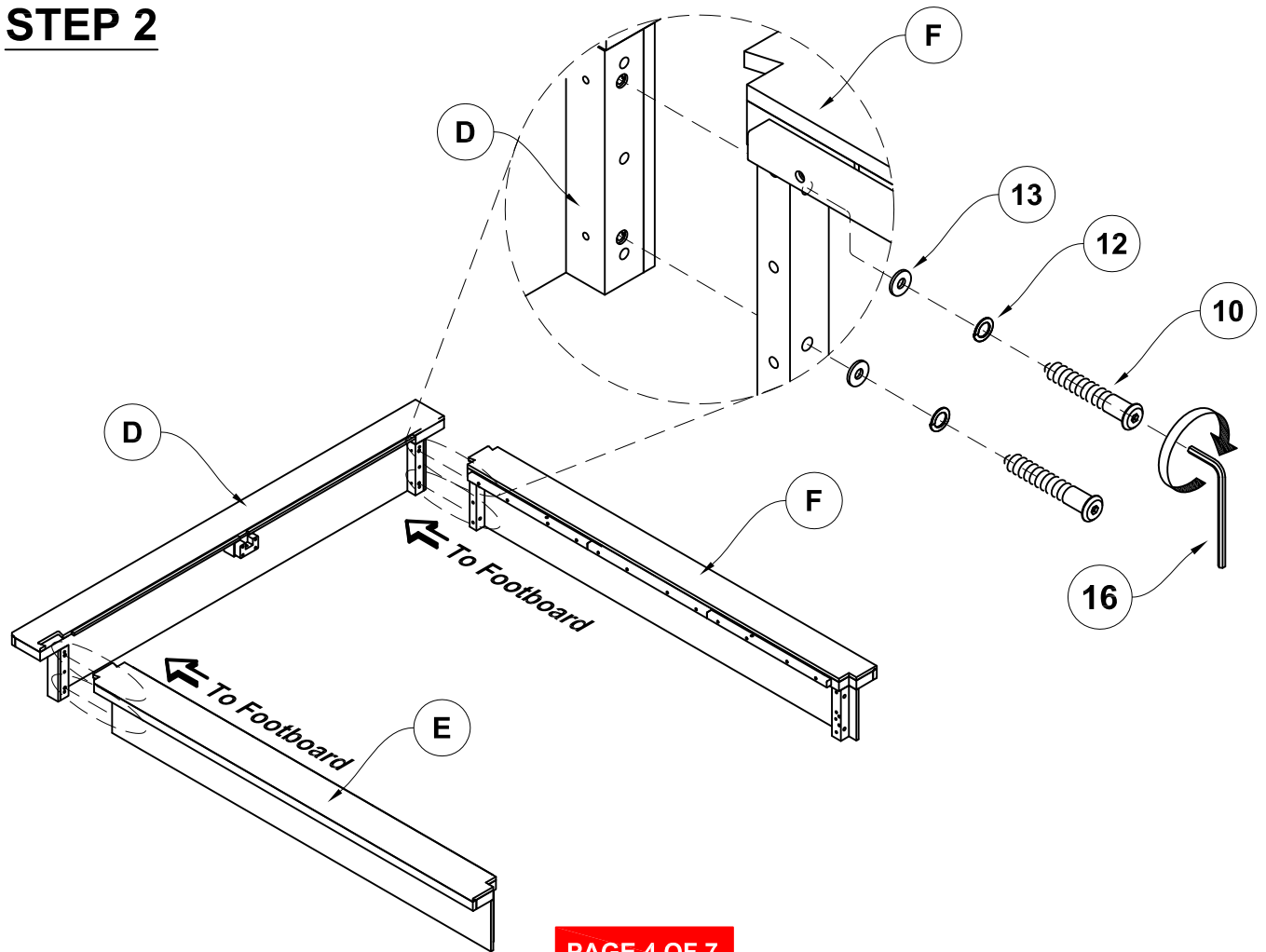
Phillips head screw driver is required in the assembly process; however, manufacturer does not provide this item.

ASSEMBLY INSTRUCTIONS

STEP 1

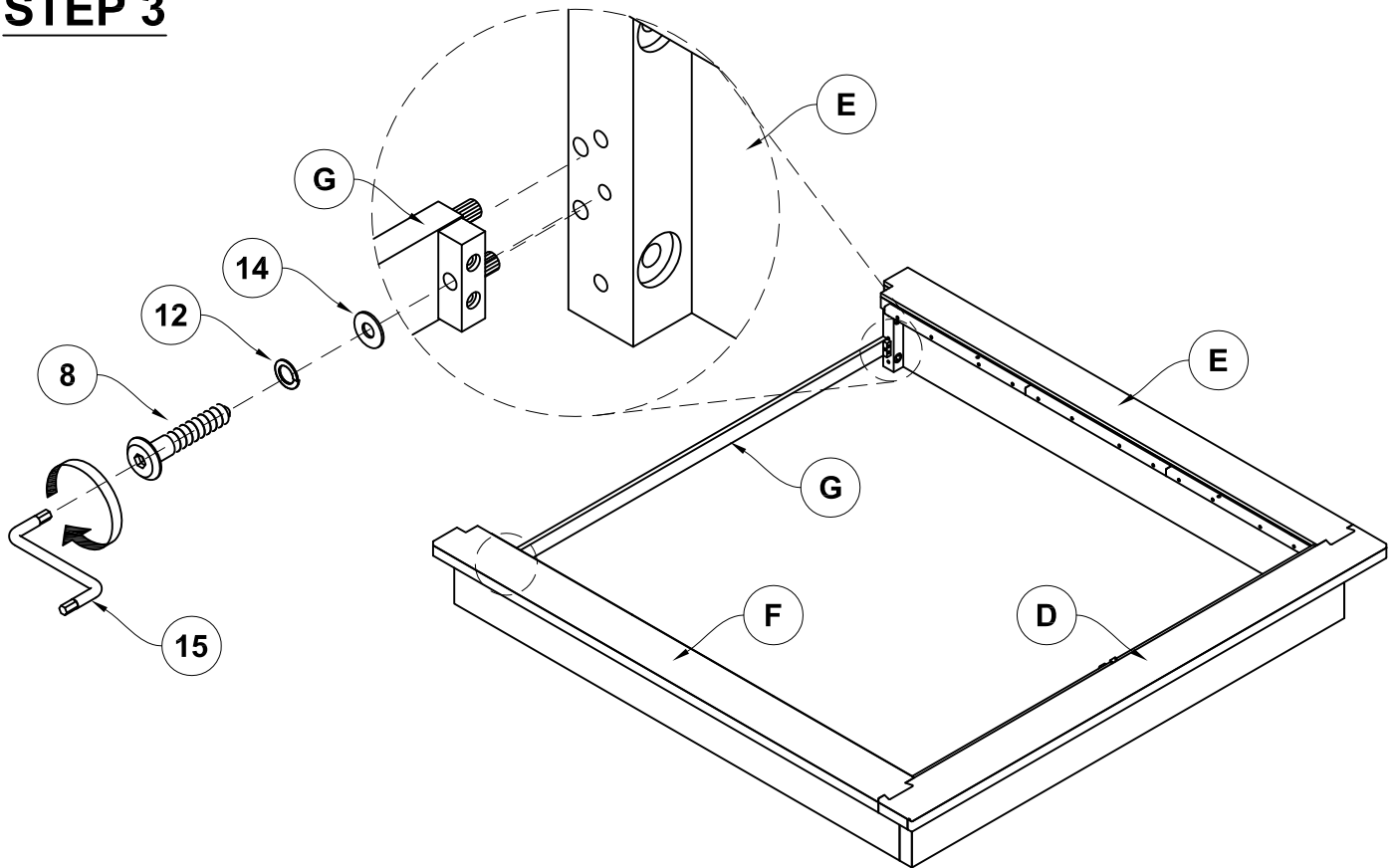


STEP 2

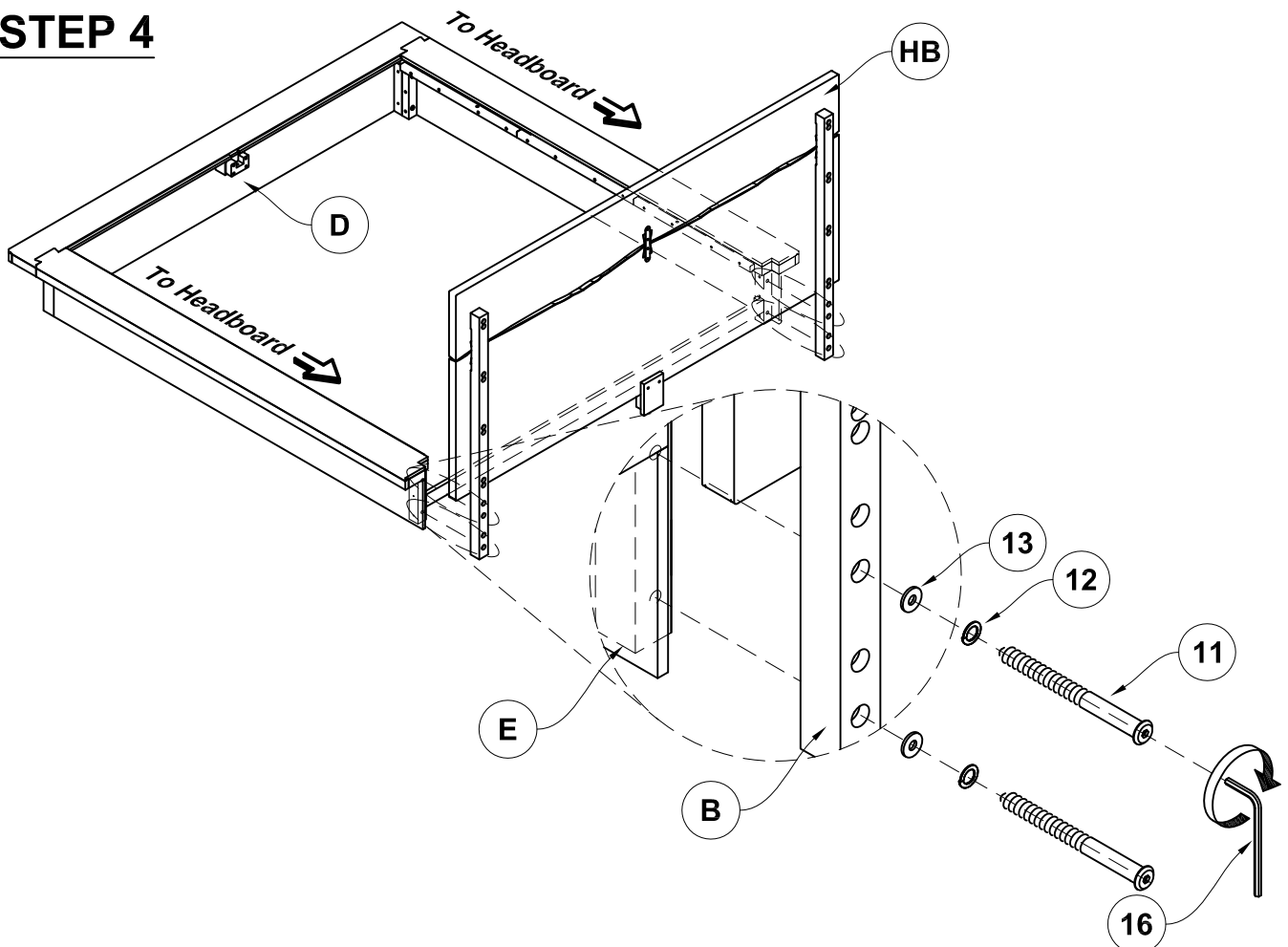


ASSEMBLY INSTRUCTIONS

STEP 3

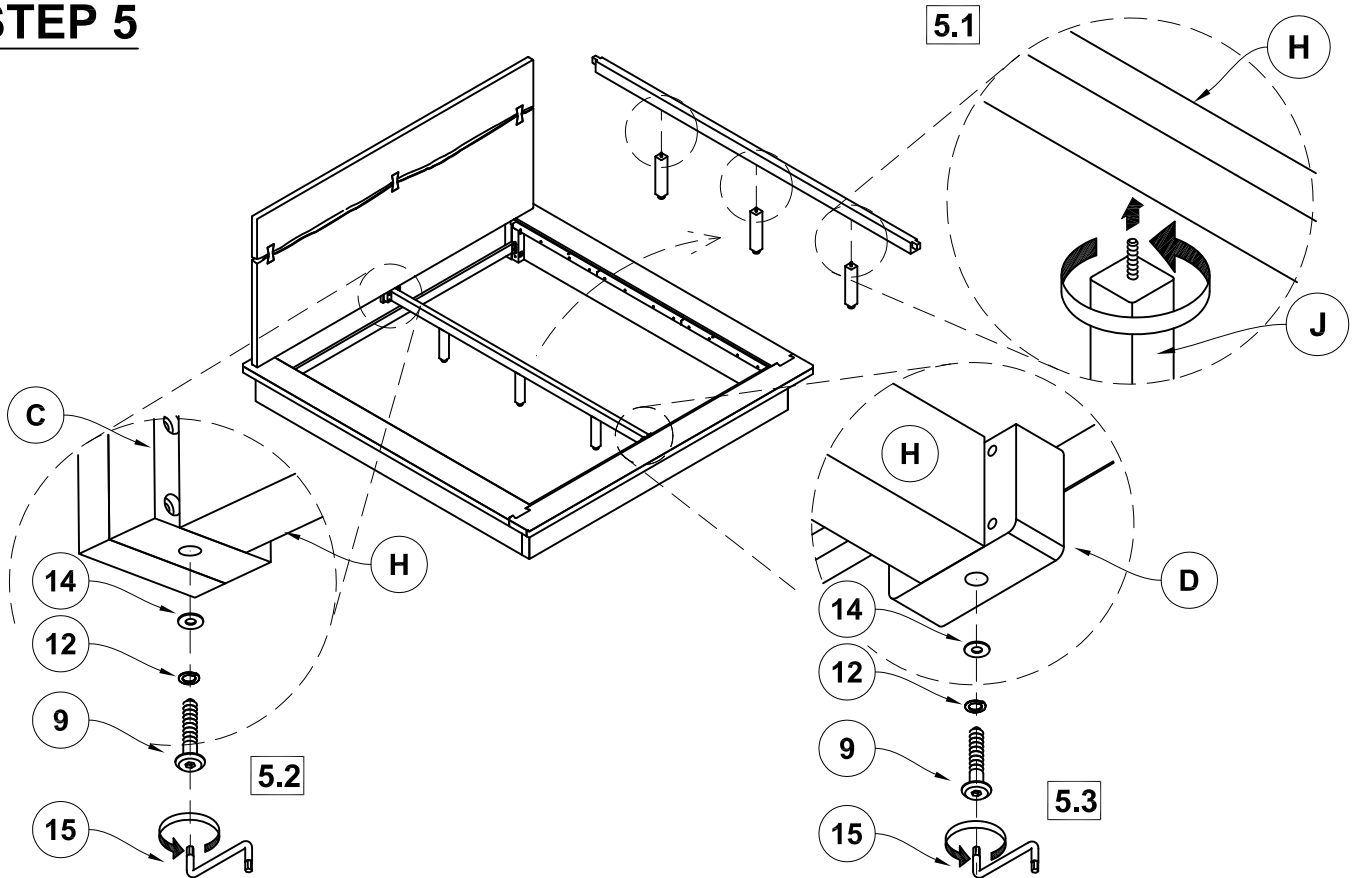


STEP 4

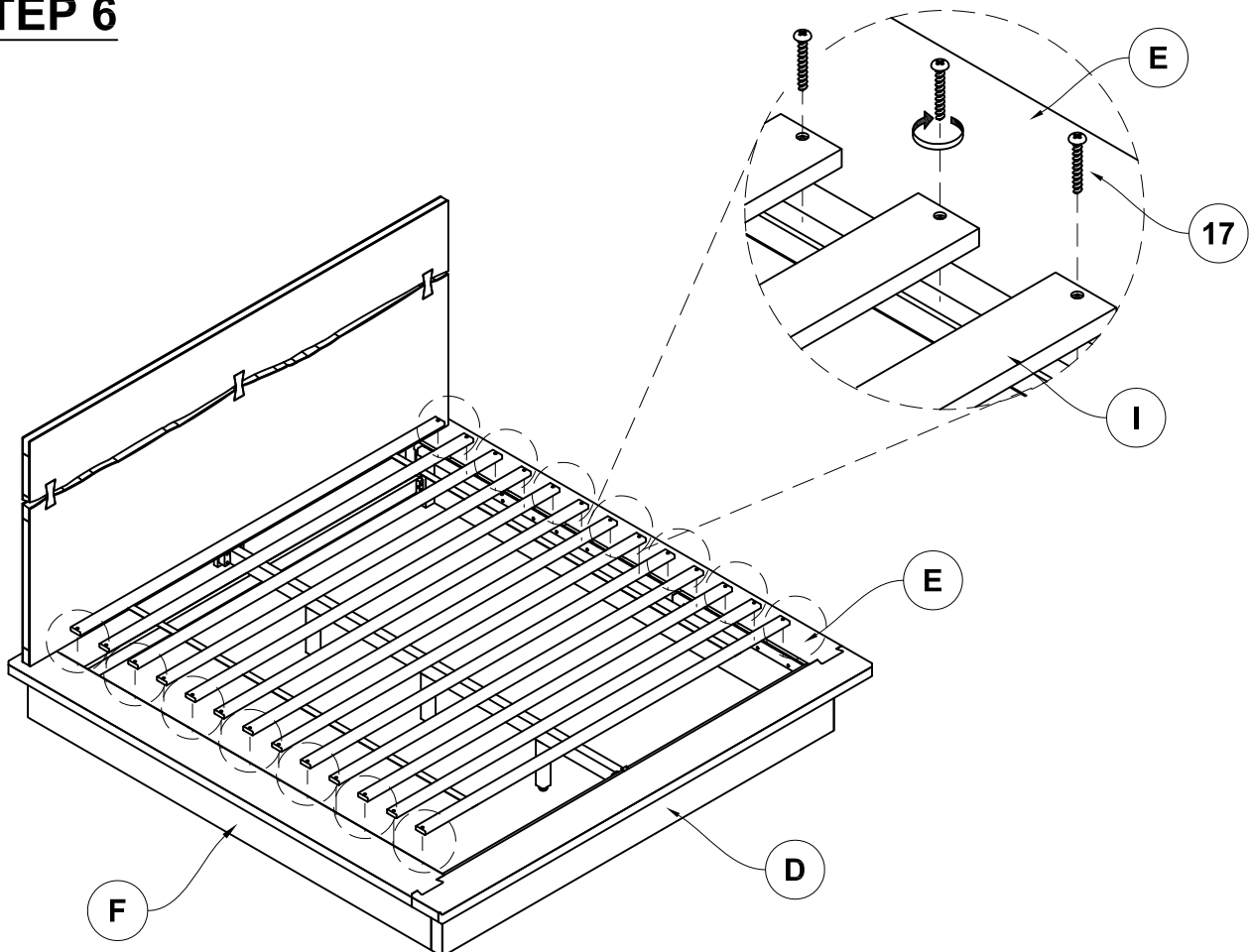


ASSEMBLY INSTRUCTIONS

STEP 5

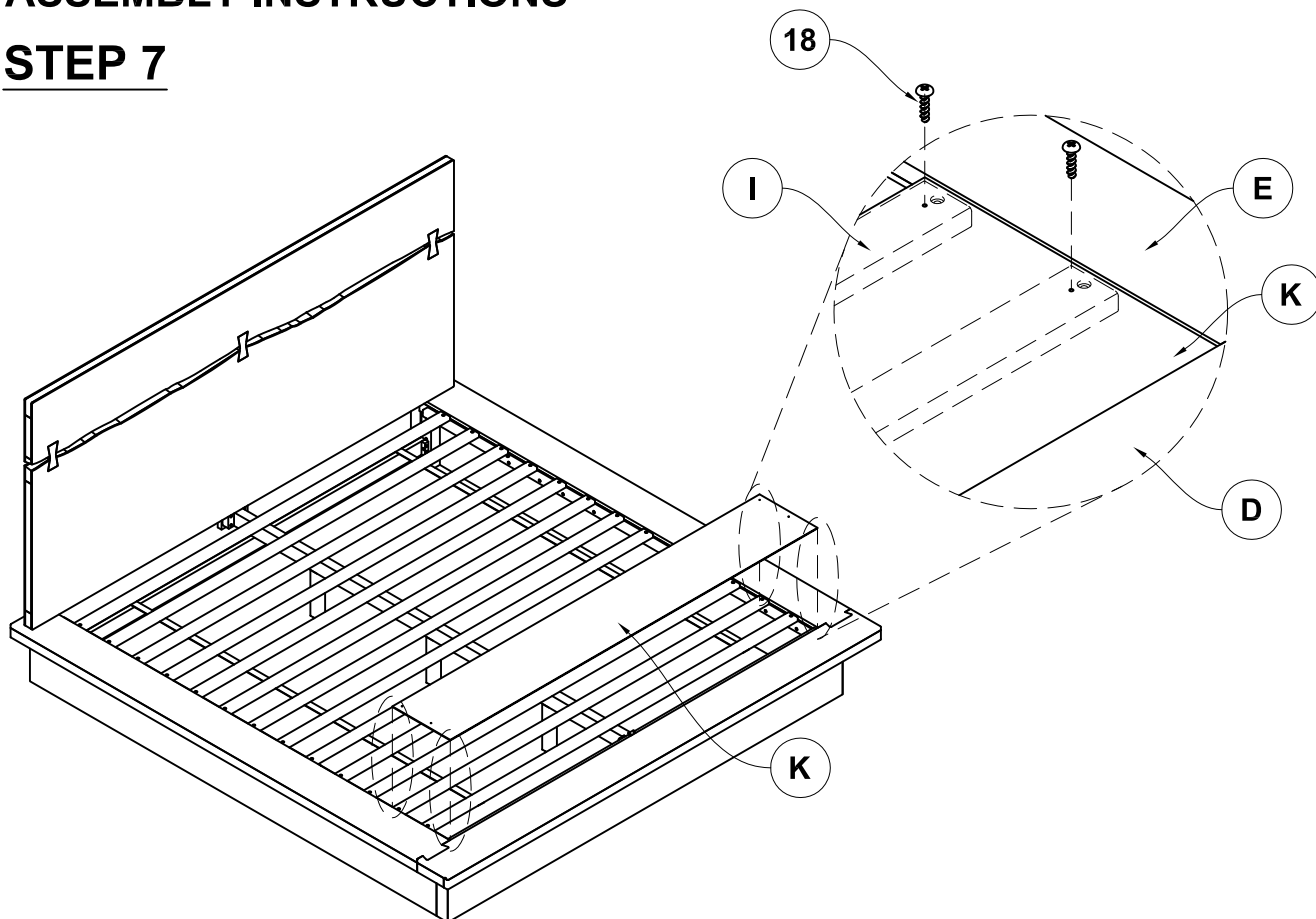


STEP 6

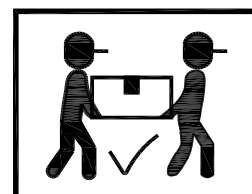
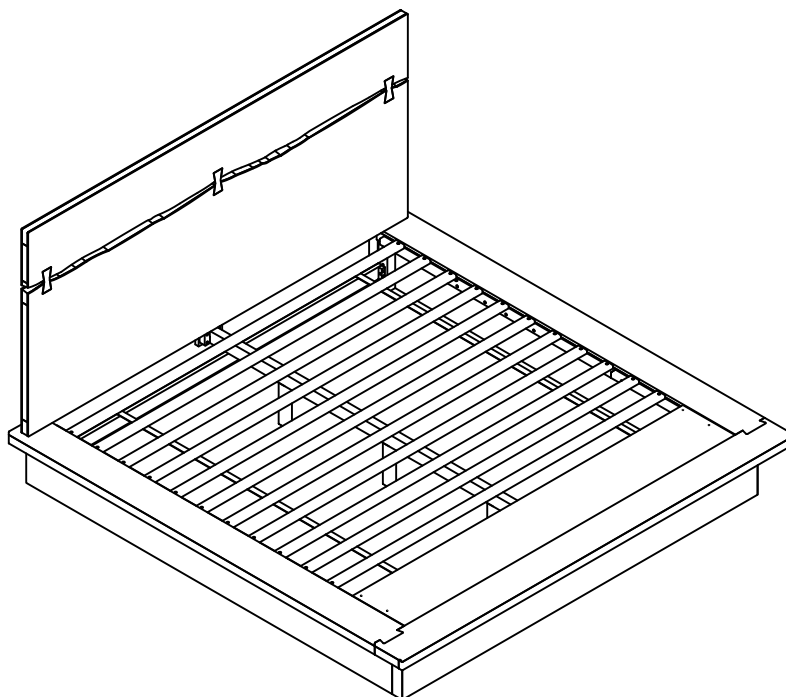


ASSEMBLY INSTRUCTIONS

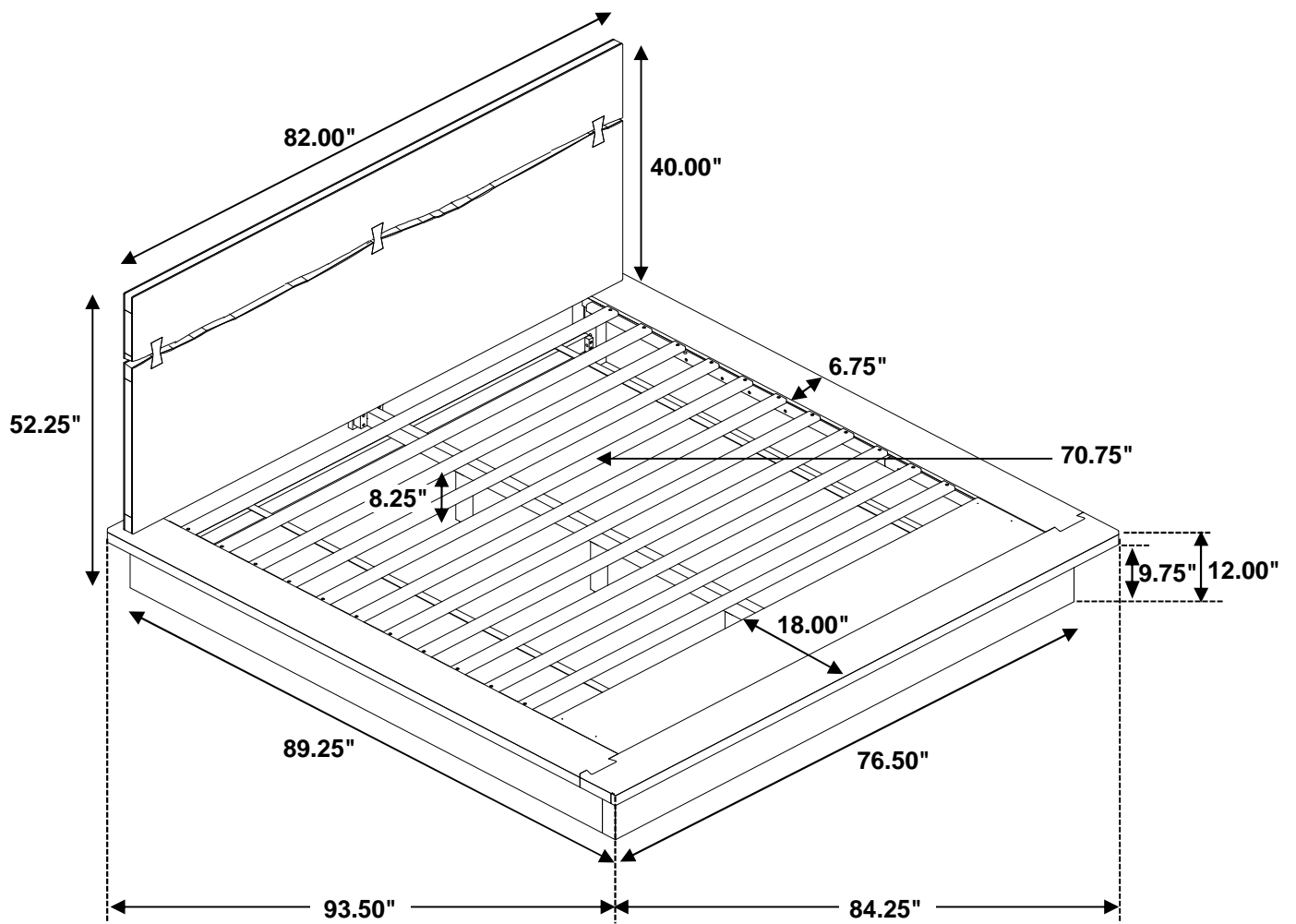
STEP 7



STEP 8 COMPLETE



Inner Size: 84.25"W X 90.00"D



Note: Dimension tolerance $\pm 5\%$

ASSEMBLY INSTRUCTIONS



Fine Furniture for every stage of life

Dresser

REVISION 0: 05/28/2018
REVISION 1: 04/22/2019
REVISION 2: 07/25/2019
REVISION 3: 04/05/2024

ANTI-TIPPING INSTALLATION INSTRUCTIONS

FURNITURE TIPPING RESTRAINT

WARNING

Injury may result from tipping furniture.

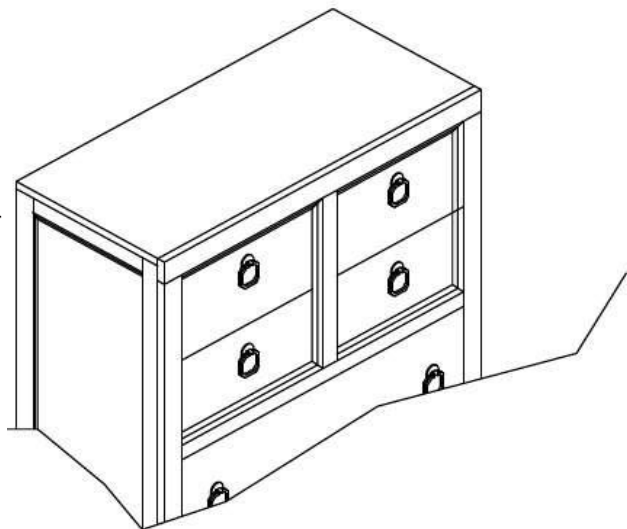
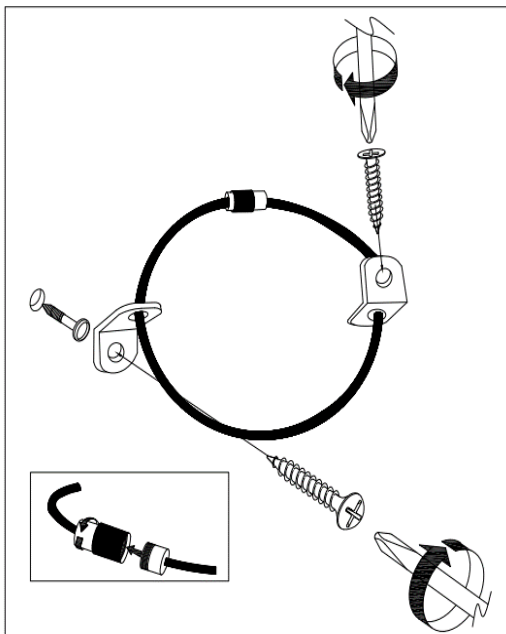
This restraint may protect against tipping furniture.

Do not allow children to climb on furniture.

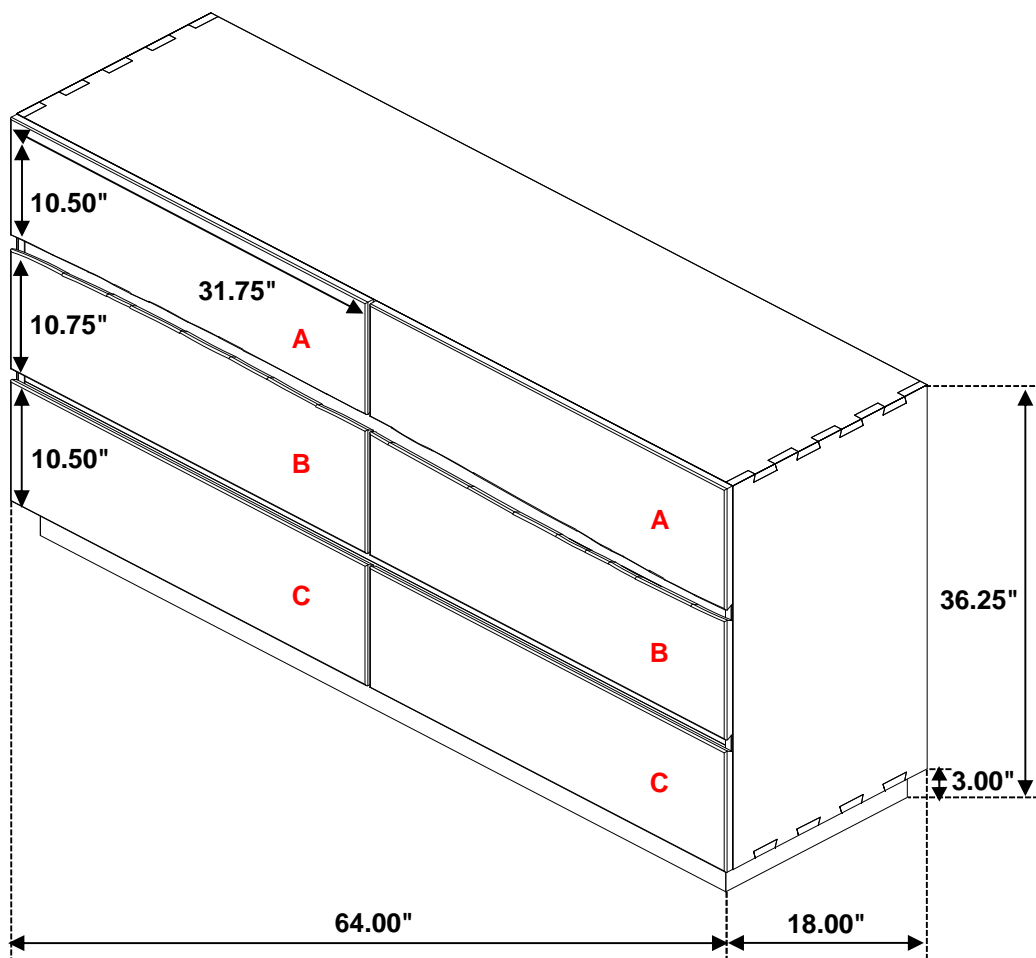
This restraint is not a substitute for proper adult supervision.

Failure to detach this restraint before moving the furniture may result in injury and damage.

1. Attach one of the mounting brackets securely to the back edge of the unit, using the short screw.
2. Determine where the unit is to be placed, and mark the location on the wall for the other mounting bracket. The bracket on the wall needs to be approximately 2" below the bracket mounted to the edge of the unit.
3. Drill a hole in the wall. Insert the plastic wall anchor into the hole and if necessary, use a small block of wood and hammer to tap it in so that it's flush with the wall.
4. Attach the bracket over the plastic wall anchor using the long screw.
5. Place the unit against the wall, both brackets need to be facing each other.
6. Lace an end of the restraint strap through the hole in each bracket. Bring both ends together and rotate the thumb nut onto the threaded end until tight.
7. Ensure that the restraint strap is securely laced and locked.



Inner Size of Drawer A : 28.25"W X 13.75"D X 5.50"H X 0.50"T
Inner Size of Drawer B : 28.25"W X 13.75"D X 7.00"H X 0.50"T
Inner Size of Drawer C : 28.25"W X 13.75"D X 7.00"H X 0.50"T



Note: Dimension tolerance $\pm 5\%$

ASSEMBLY INSTRUCTIONS



Fine Furniture for every stage of life

Mirror

REVISION 0: 06/27/2018
REVISION 1: 04/22/2019
REVISION 2: 08/27/2019

ASSEMBLY INSTRUCTIONS

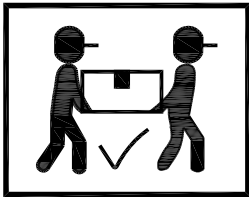
ASSEMBLY TIPS:

1. Remove hardware from box and sort by size.
2. Please check to see that all hardware and parts are present prior to start of assembly.
3. Please follow attached instructions in the same sequence as numbered to assure fast & easy assembly.



WARNING!

1. Don't attempt to repair or modify parts that are broken or defective. Please contact the store immediately.
2. This product is for home use only and not intended for commercial establishments.

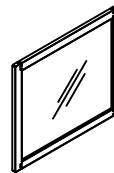


ASSEMBLY TIME

10 MINUTES

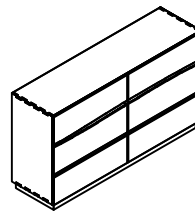
PARTS IDENTIFICATION

A MIRROR



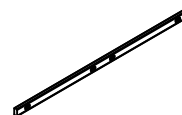
1PC

B DRESSER



1PC

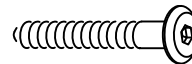
**C MIRROR SUPPORT
(PACKED WITH MIRROR)**



2PCS

HARDWARE IDENTIFICATION

**1 BOLT
(M6 x 35mm - BLK)**



8PCS

**2 LOCK WASHER
(Ø13 x Ø6 x 1mm - BLK)**



8PCS

**3 FLAT WASHER
(Ø16 x Ø6.5 x 1mm - BLK)**



8PCS

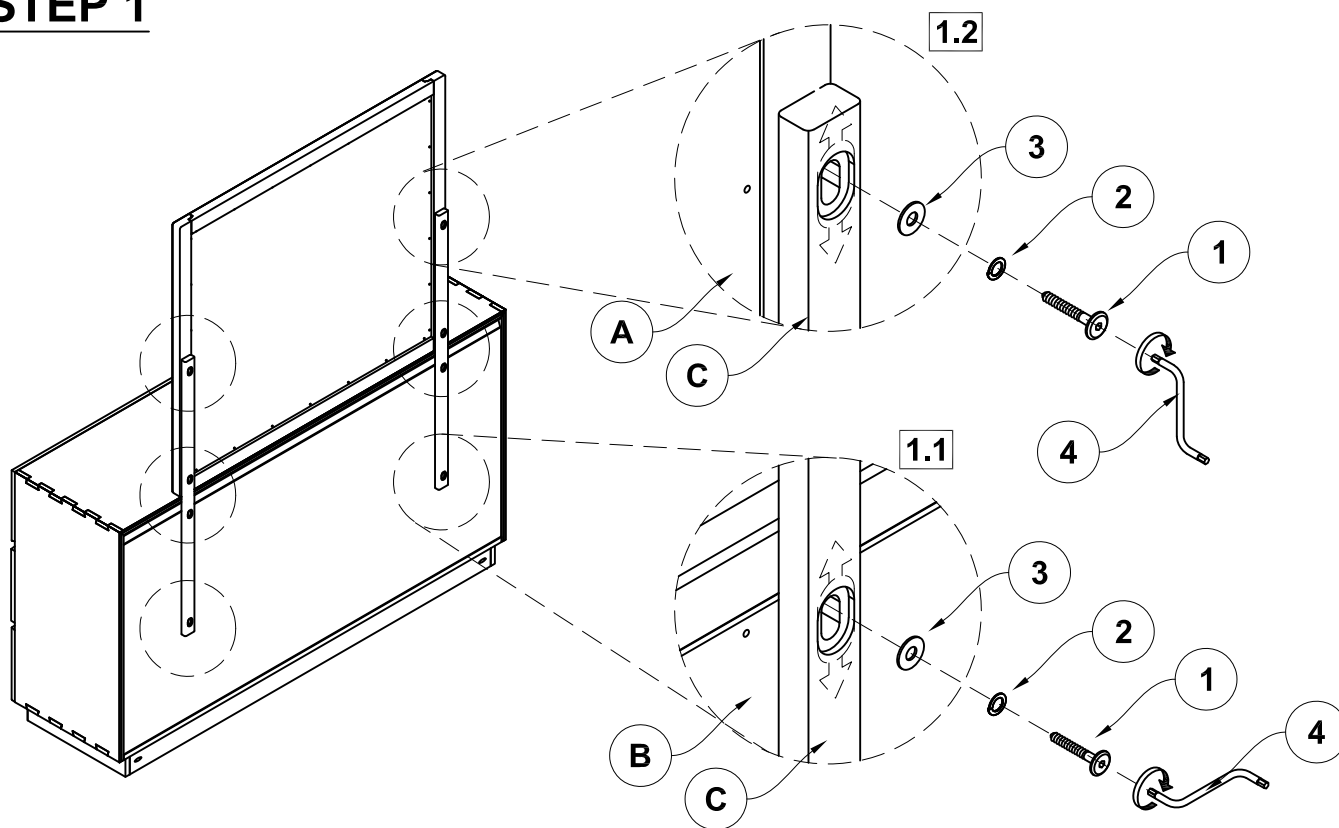
**4 Z-ALLEN WRENCH
(4MM - WHT)**



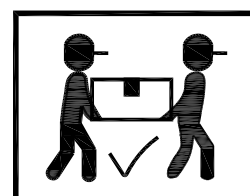
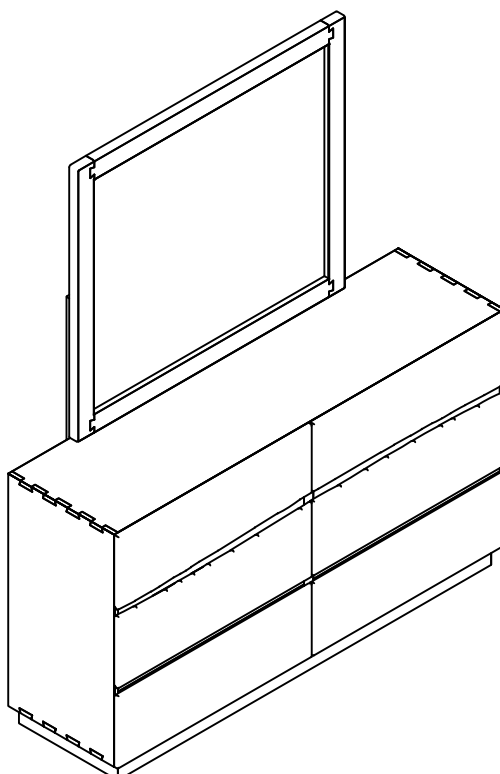
1PC

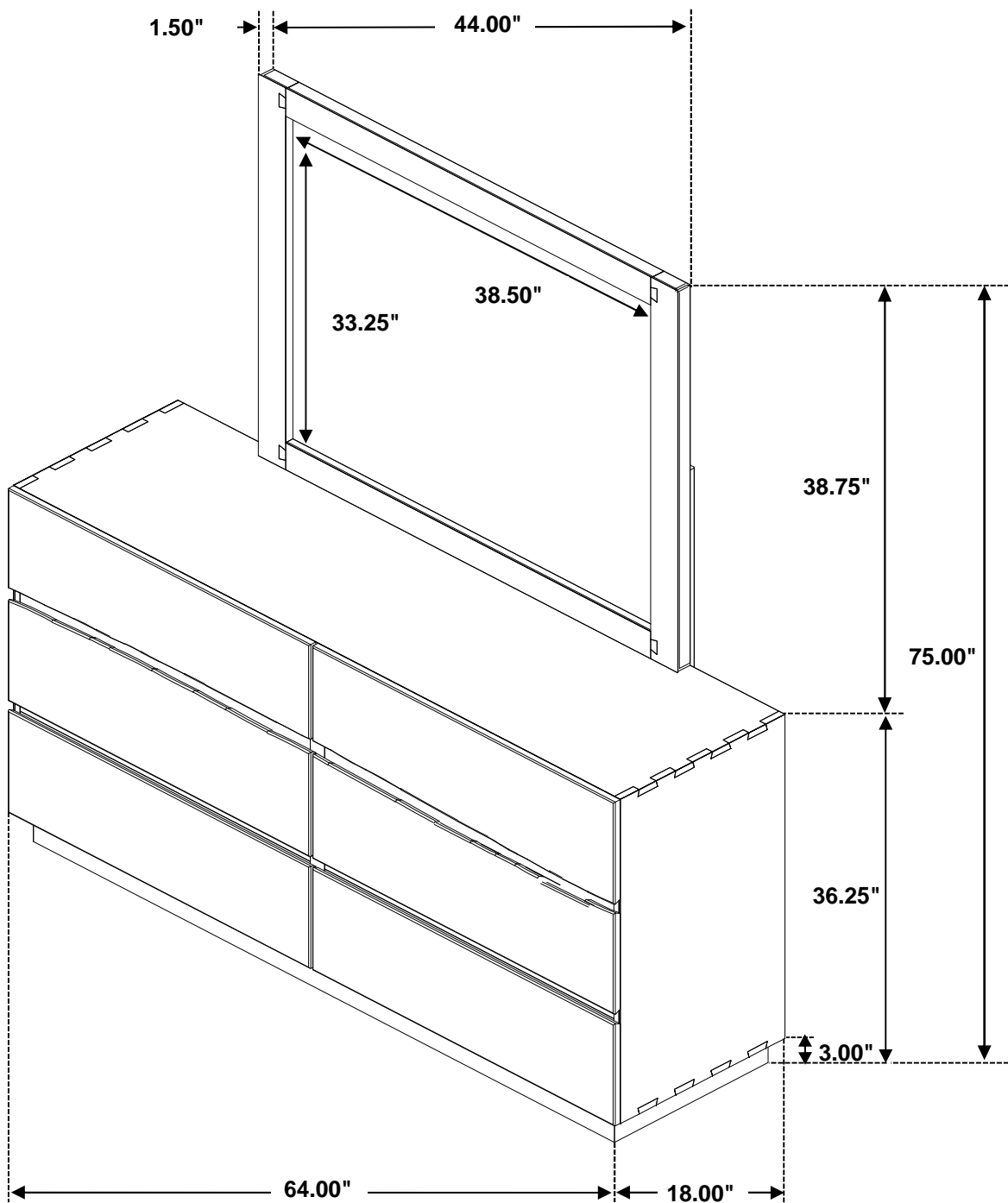
ASSEMBLY INSTRUCTIONS

STEP 1



STEP 2 COMPLETE





Note: Dimension tolerance $\pm 5\%$