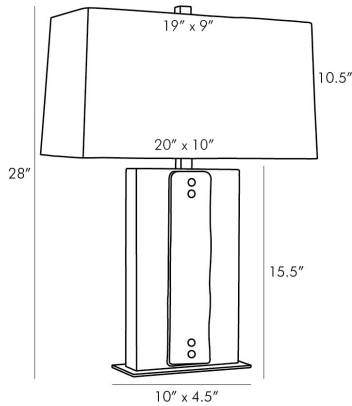


ARTERIOS

URIAH LAMP



49280-429

H: 28 IN, W: 20 IN, D: 10 IN

White

Contract Suitable As Is

Let the Uriah Lamp elevate your table top to museum status. A thick, seedy slumped glass in a smoke luster finish cascades down the front of a snow marble wall to create this functional showpiece. The use of mixed materials that shape this rectangular form brings a refined organic element to a space. Topped with a rectangle off-white microfiber shade with off-white cotton lining and a matching metal finial. finish will vary.

APPEARANCE

| | |
|--------------------|---|
| Material | Alabaster, Cotton, Glass, Microfiber |
| Finish | Off-White, Smoke Luster |
| Finish Will Vary | true |
| Top Coat/Sealant | true |
| Finial Description | Decorative metal to match - packed with |

DIMENSIONS

| | |
|------|--------|
| Harp | 9.5 IN |
|------|--------|

WIRING

| | |
|--------------|-------------------------------|
| Rating | Indoor Only |
| Tilt Test | 10 Degrees - AU |
| Cord | 10 FT IN, Clear/Silver, SPT-2 |
| Socket | 1, Brass, Type A- E26, 3-Way |
| Switch | 3-Way Rotary, At Socket |
| Maximum Watt | 150 |
| Voltage | 110-120 V |

CERTIFICATIONS

| | |
|---------------|--|
| Cerifications | Mexico Australia, United Arab Emirates, United Kingdom, United States, Canada |
|---------------|--|

COMPLIANCY

| | |
|--------|------|
| UL/ETL | Yes |
| CB | Yes |
| RoHS | true |

SHIPPING

| | |
|----------------|------------------------------|
| Product Weight | 28.5 LBS |
| Gross Weight 1 | 28.5 LBS |
| Gross Weight 2 | 3.5 LBS |
| Shipping Box 1 | H: 14 IN, L: 9 IN, W: 26 IN |
| Shipping Box 2 | H: 15 IN, L: 24 IN, W: 14 IN |

ADDITIONAL INFO

| | |
|-------------|--------------|
| Shade Shape | Rectangle |
| Shade Trim | Rolled Edges |
| Shade Type | Hardback |