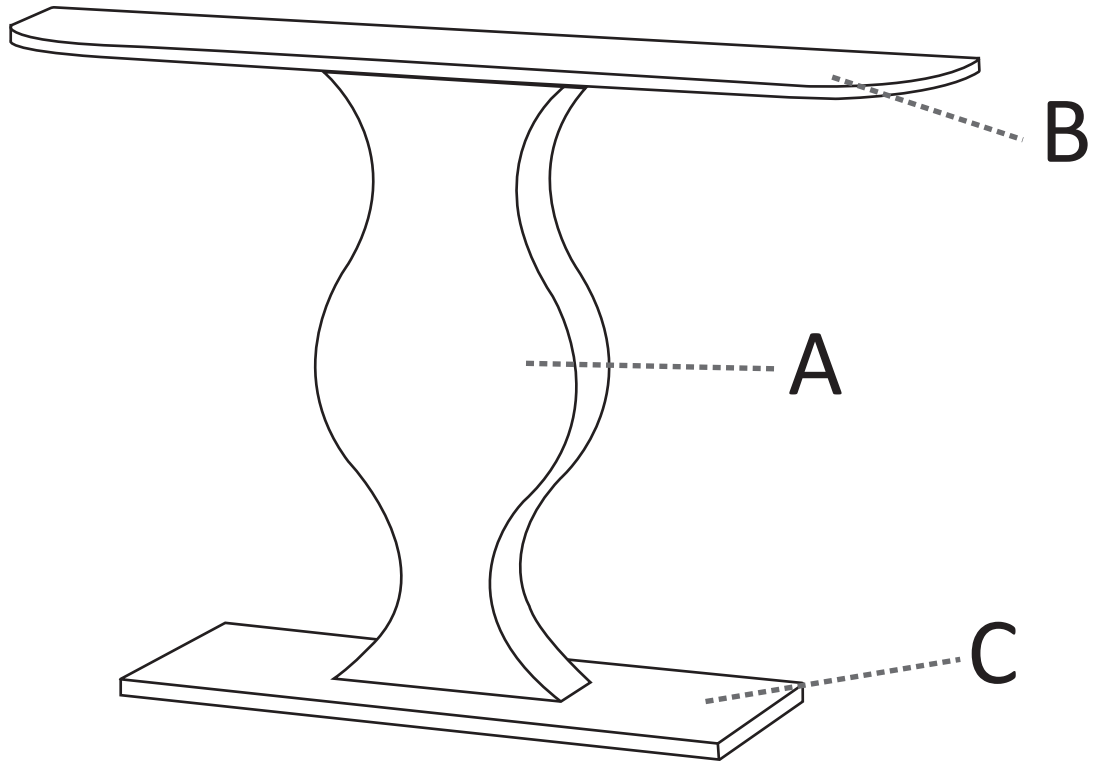
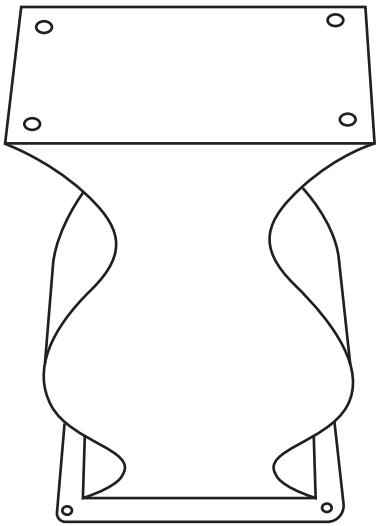


Assembly Instructions

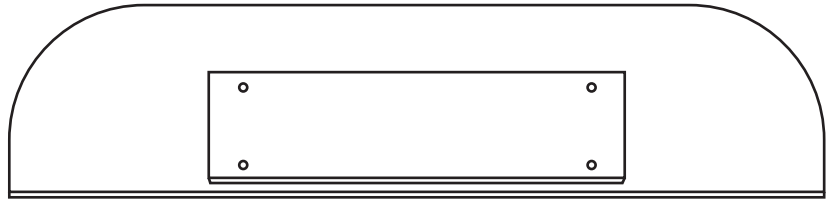


Parts List

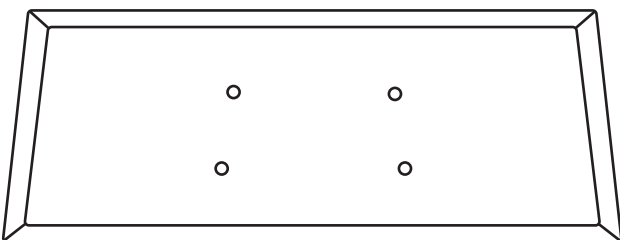
Open the hardware check all parts QTY, thanks



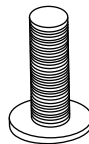
A × 1



B × 1



C × 1

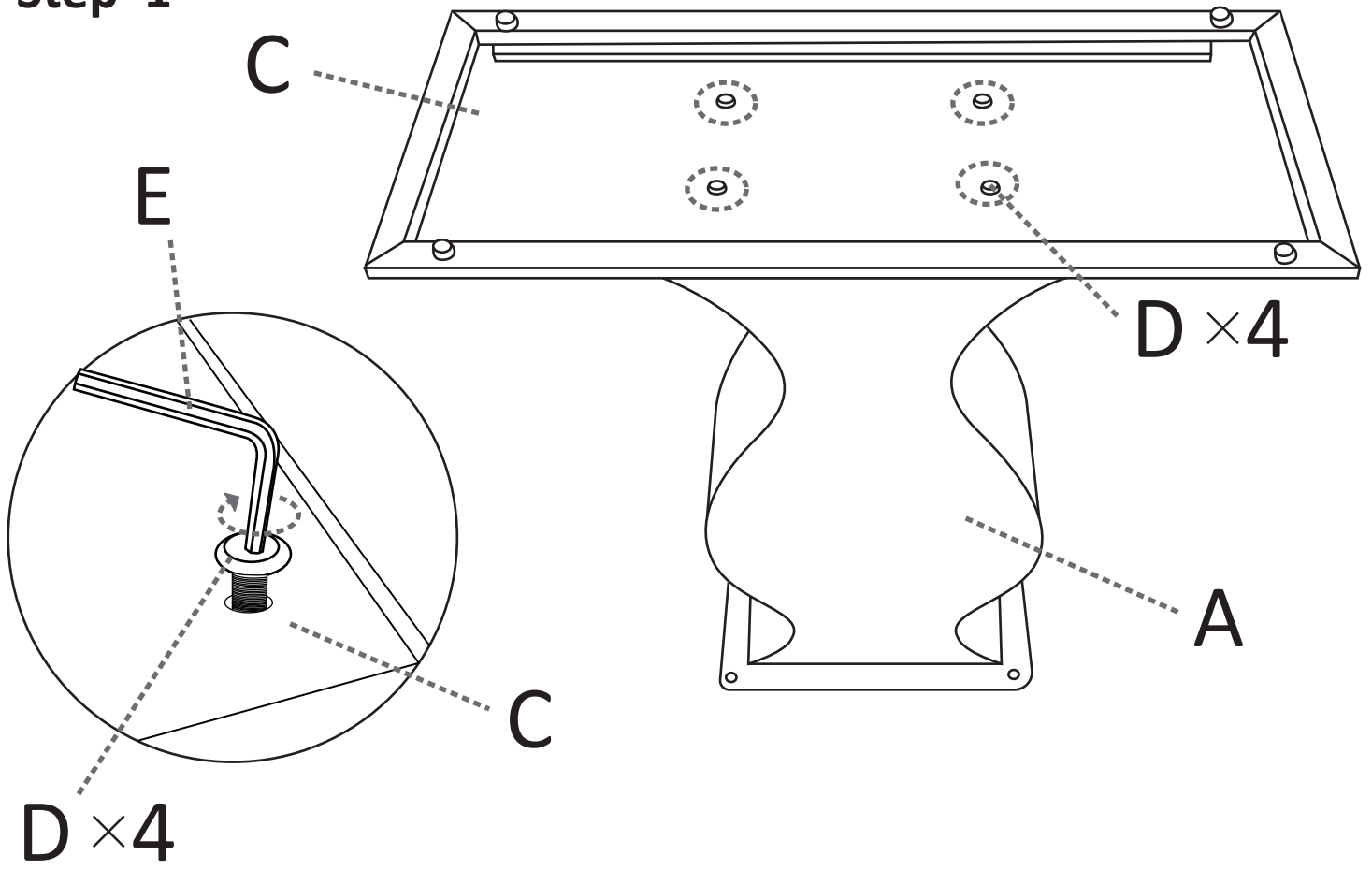


D × 8



E × 1

Step 1



Step 2

