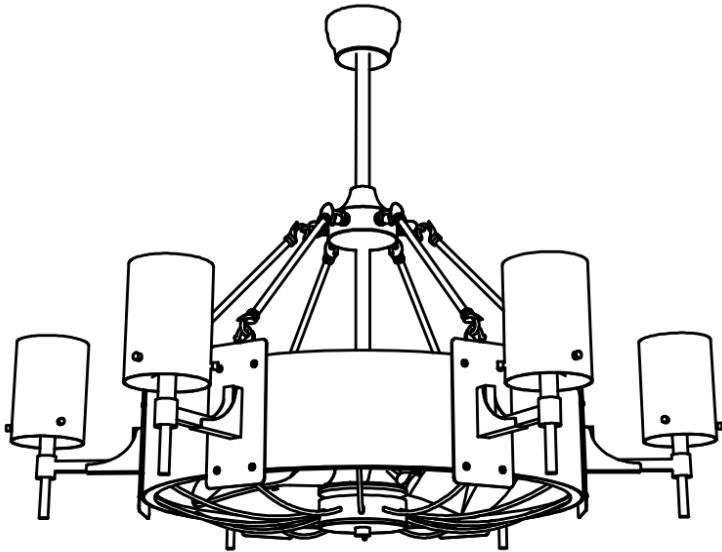


# CEILING FAN LIGHT



## product instruction manual

We recommend watching the installation video to assemble the fan to make the installation easier. You can scan the QR code next to the product with your phone to jump to the purchase link. The installation video is inside the purchase link.

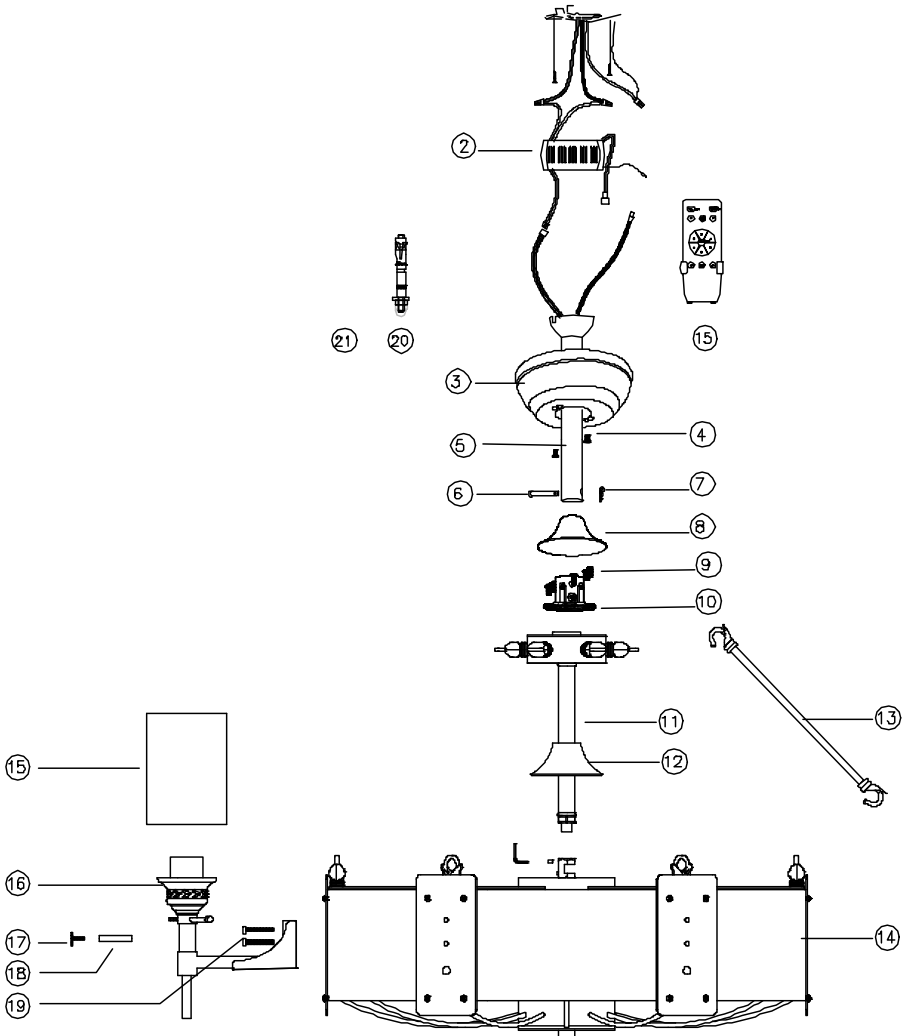
# Important Safety Instructions

**WARNING:** To avoid fire, shock and serious personal injury, follow these instructions.

1. Read your user's manual and safety information before installing your new fan. Review the accompanying assembly diagrams.
2. Before servicing or cleaning unit, switch power off at service panel and lock service panel disconnecting means to prevent power from being switched on accidentally. When the service disconnecting means cannot be locked, securely fasten a warning device, such as a tag, to the service panel.
3. Be careful of the fan and blades when cleaning, painting, or working near the fan. Always turn off the power to the ceiling fan before servicing.
4. Do not insert anything into the fan blades while the fan is operating.
5. The appliance is not intended for use by young children or infirm persons without supervision. Young children should be supervised to ensure that they do not play with the appliance.

# Package Includes

Check to see that you have received the following parts:



1. hanger 2. controller 3. ceiling plate 4. hanger screws 5. hanger bar (4 inches or 8 inches) 6. pins 7. hairpin buckle 8. large horn cover 9. hanger head screws 10. hanger head 11. main connecting rod 12. small horn cover 13. hook pull rod 14. wind body 15. light 16. light 17. hand twist screws 18. inner tooth rod 19. light arm screws 20. expansion screws 21. self-tapping screws

# Ceiling Fan Body Mounting Method

Figure 1

1. First motor line and light line from the main linkage rod out of the small speaker cover into the main linkage rod, and then the main linkage rod twisted into the fan body at the I-iron fixed.

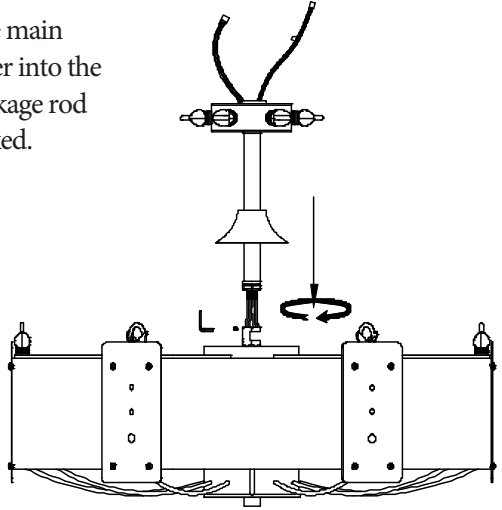
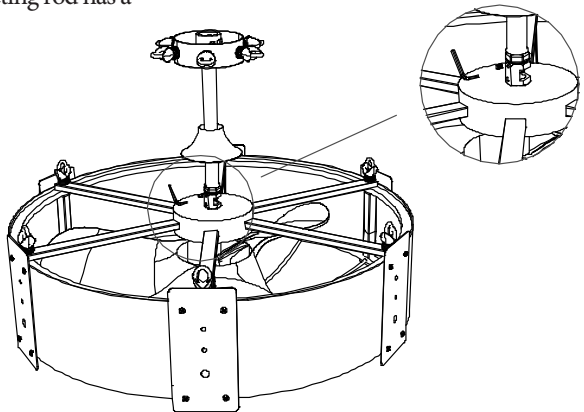


Figure 2

2. Be careful to use a wrench to fix the screw completely to make sure the connecting rod has a spare screw to fix.



# Ceiling Fan Body Mounting Method

Figure 3

1. Set the horn cover down to cover the I-iron nut.

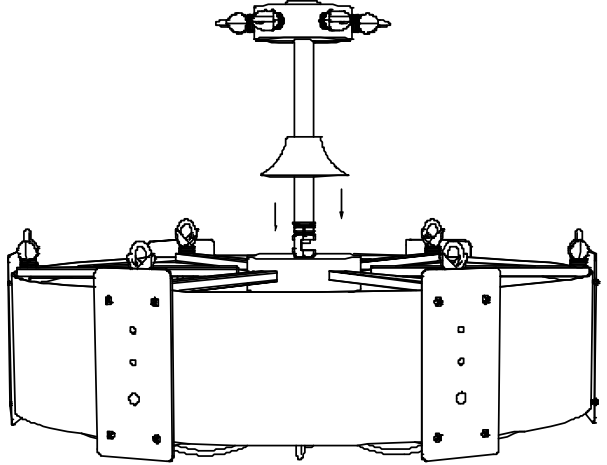
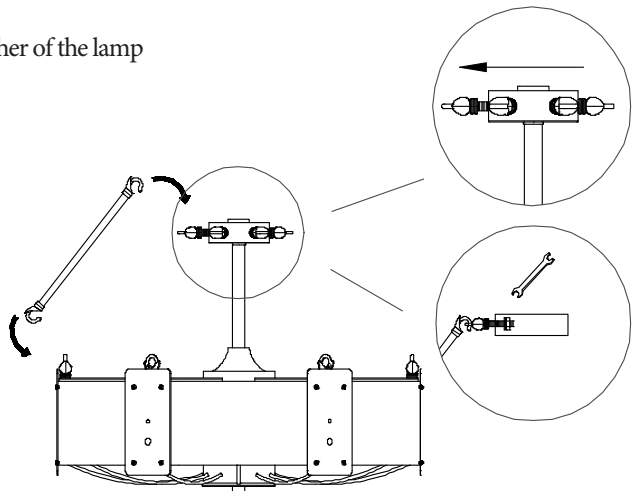


Figure 4

4. Pull out the ring on the lantern first and then snap the lever into the ring.
5. Use the wrench to lock the mother of the lamp inside the ancient.



# Ceiling Fan Body Mounting Method

Figure 5

6. Connect the lamp arm terminal wire to each other.

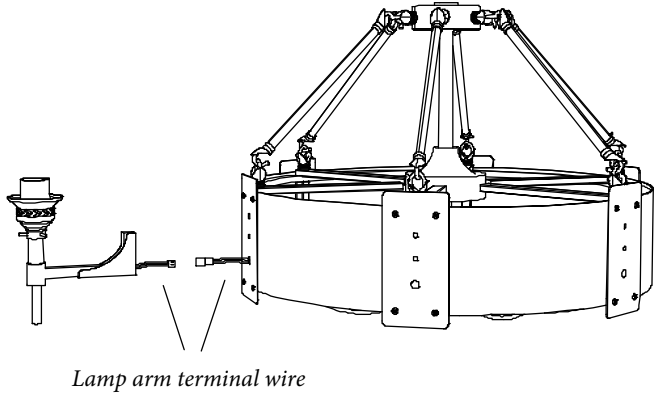
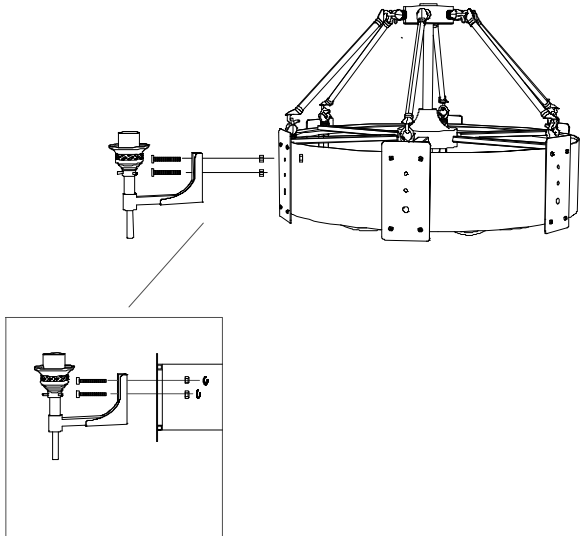


Figure 6

7. Put the light arm screw through the light arm and the light body hole and fix it with a nut.



# The Rest Of the Ceiling Fan Installation

Figure 1

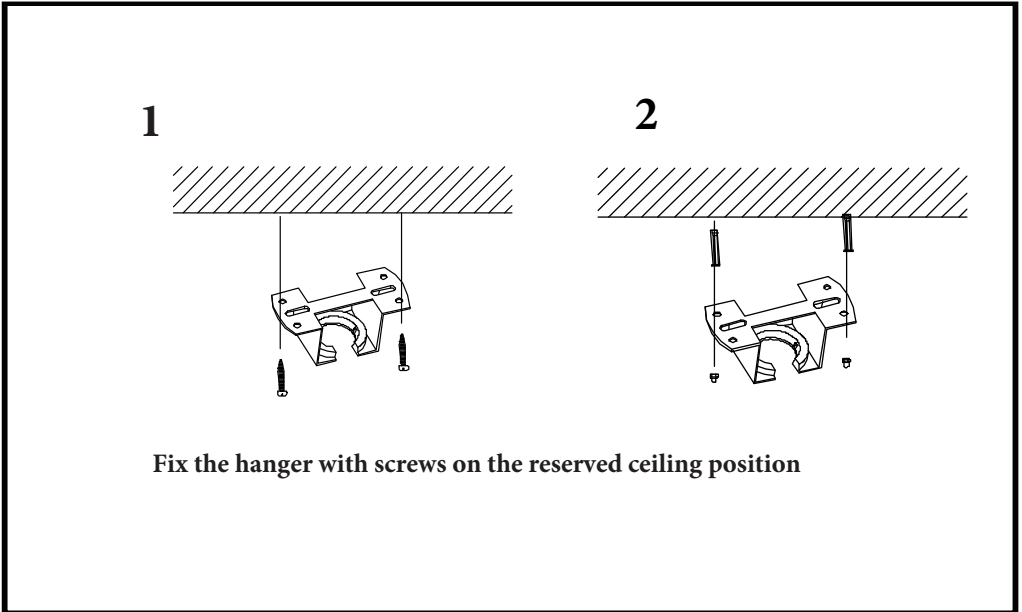
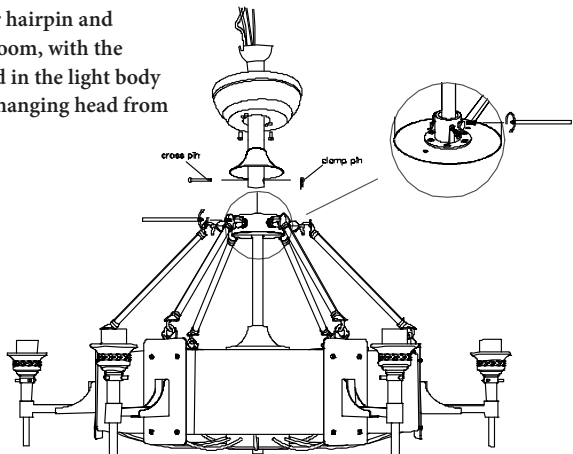


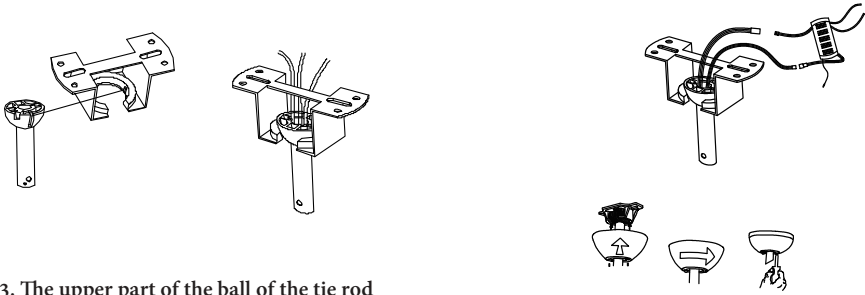
Figure 2

2. Pick a good length of tie rod, from the bottom of the tie rod to remove the bell, horn cover hairpin and buckle pin 6-7, in turn through the boom, with the removed hairpin and buckle pin fixed in the light body hanging head, with the screw on the hanging head from the side lock.



# The Rest Of the Ceiling Fan Installation

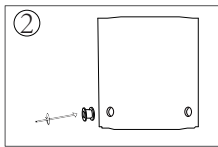
Figure 3



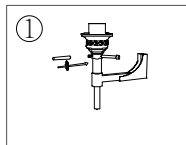
3. The upper part of the ball of the tie rod will be stuck into the hanger ring at the fixed

4 should color link body with moving wires.  
 5. rotate the top of the ceiling plate to the top of the hanger to fix it.  
 6. Use screws to lock and reinforce from the lower end of the ceiling tray.

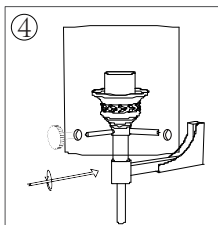
Figure 4



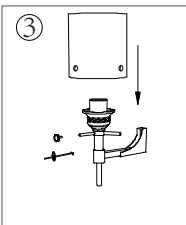
Install protective rubber pad on the glass cover



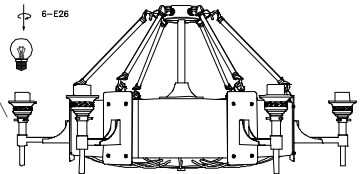
Twist the inner tooth bar close to the screw on the side of the light arm to fix it



The glass cover is put on the lamp arm and fixed with screws




Put down the glass lamp amount and fix the lampshade from the side with hand twist screws after the right hole.

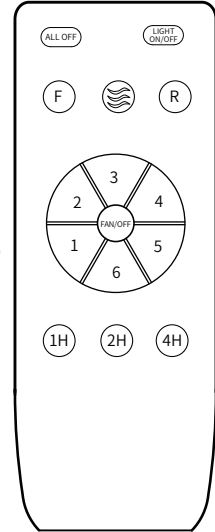


7. Installation of lights and light sources

# Remote Control ( Esmitter ) Operation

Please install the AAA/1.5V battery (not included) before using the remote control. Please store the remote control in a place away from excessive heat or humidity.

Light On/Off	Light On/Off
ALL OFF	Turn off lights and fans
	Natural wind
R/F	Fan rotates forward/reverse
1,2,3,4,5,6	Fan speeds
FAN OFF	FAN OFF
1H	Fan Stops After 1 Hour
2H	Fan Stops After 2 Hour
4H	Fan Stops After 4 Hour



**Figure 3**

5. If airflow is desired in the opposite direction, directly tap the R/F button on the remote and the fan will stop then rotate in the opposite clockwise direction.

Season	Rotation Direction
Summer	Counterclockwise
Winter	Clockwise

# Troubleshooting

## WARNING

For your own safety turn off power at fuse box or circuit breaker before trouble shooting.

Trouble	Probable Cause	Suggested Remedy
<b>1.FAN WILL NOT START</b>	<ol style="list-style-type: none"><li>1. Fuse or circuit breaker blown.</li><li>2. Loose power line connections to the fan, or loose switch wire connections in the switch housing.</li><li>3. Dead battery in remote control.</li><li>4. Reversing switch in neutral position.</li></ol>	<ol style="list-style-type: none"><li>1. Check main and branch circuit fuses or circuit breakers.</li><li>2. Check line wire connections to fan and switch wire connections in the switch housings. CAUTION: Make sure main power is turned off!</li><li>3. Replace with new battery.</li><li>4. Make sure reversing switch position is all the way to one side</li></ol>
<b>2.FAN SOUNDS NOISY</b>	<ol style="list-style-type: none"><li>1. Loose screws in motor housing.</li><li>2. Wire connectors inside housing rattling.</li><li>3. Motor noise caused by solid state variable speed control.</li></ol>	<ol style="list-style-type: none"><li>1. Check to make sure all screws in motor housing are snug (do not overtighten).</li><li>2. Check to make sure wire connectors in switch housing are not rattling against each other or against the interior wall of the switch housing. . CAUTION: Make sure main power is turned off!</li><li>3. Some fan motors are sensitive to signals from solid-state variable speed controls. Solid-state controls are not recommended, choose an alternative control method.</li></ol>
<b>3.FAN WOBBLERS EXCESSIVELY</b>	<ol style="list-style-type: none"><li>1. Setscrew in downrod support is loose.</li><li>2. Setscrew in downrod/hanger ball assembly is loose.</li><li>3. Hanger bracket and/or ceiling assembly. outlet box is not securely fastened.</li></ol>	<ol style="list-style-type: none"><li>1. Tighten both setscrews securely in downrod support.</li><li>2. Tighten the setscrew in the downrod/ hanger ball</li><li>3. Tighten the hanger bracket screws to the outlet box, and secure outlet box.</li></ol>

# Warranty

Dear Customer:

This product is free from defects in materials and workmanship for a period of 1 years from the day of purchase. If the product has been misused, damaged by accident or in any other way of improper use, this warranty becomes void.