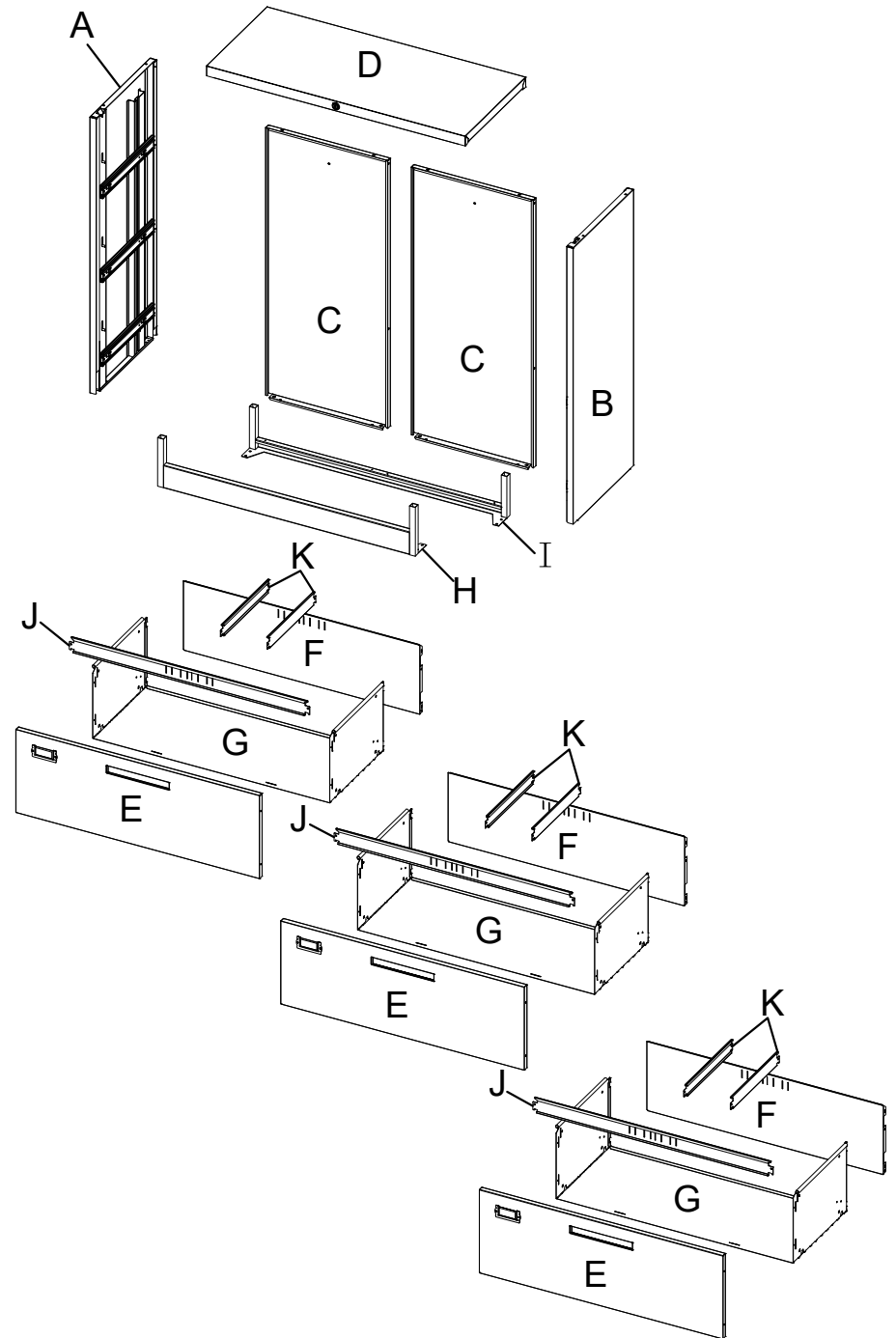
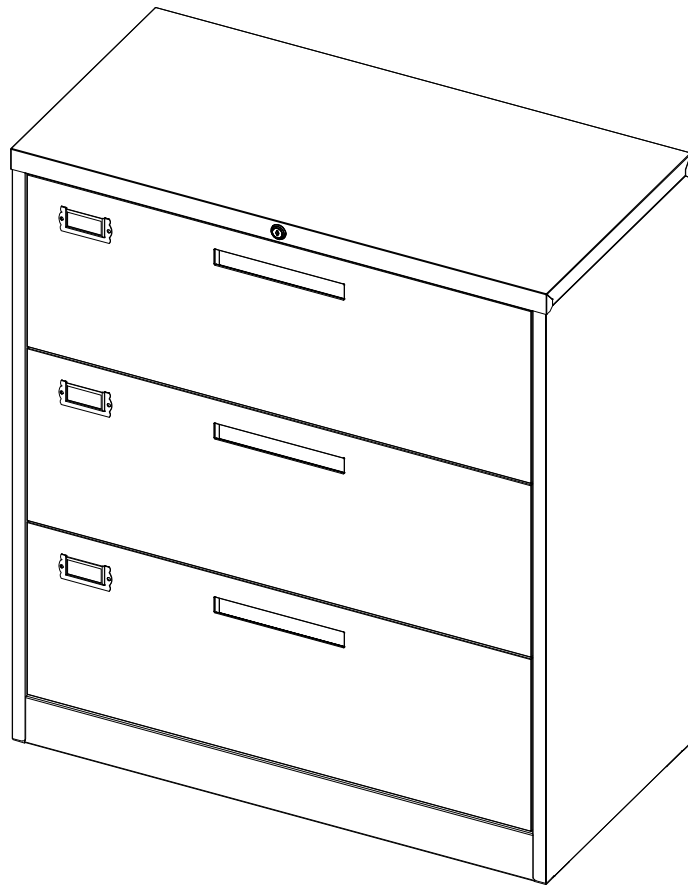
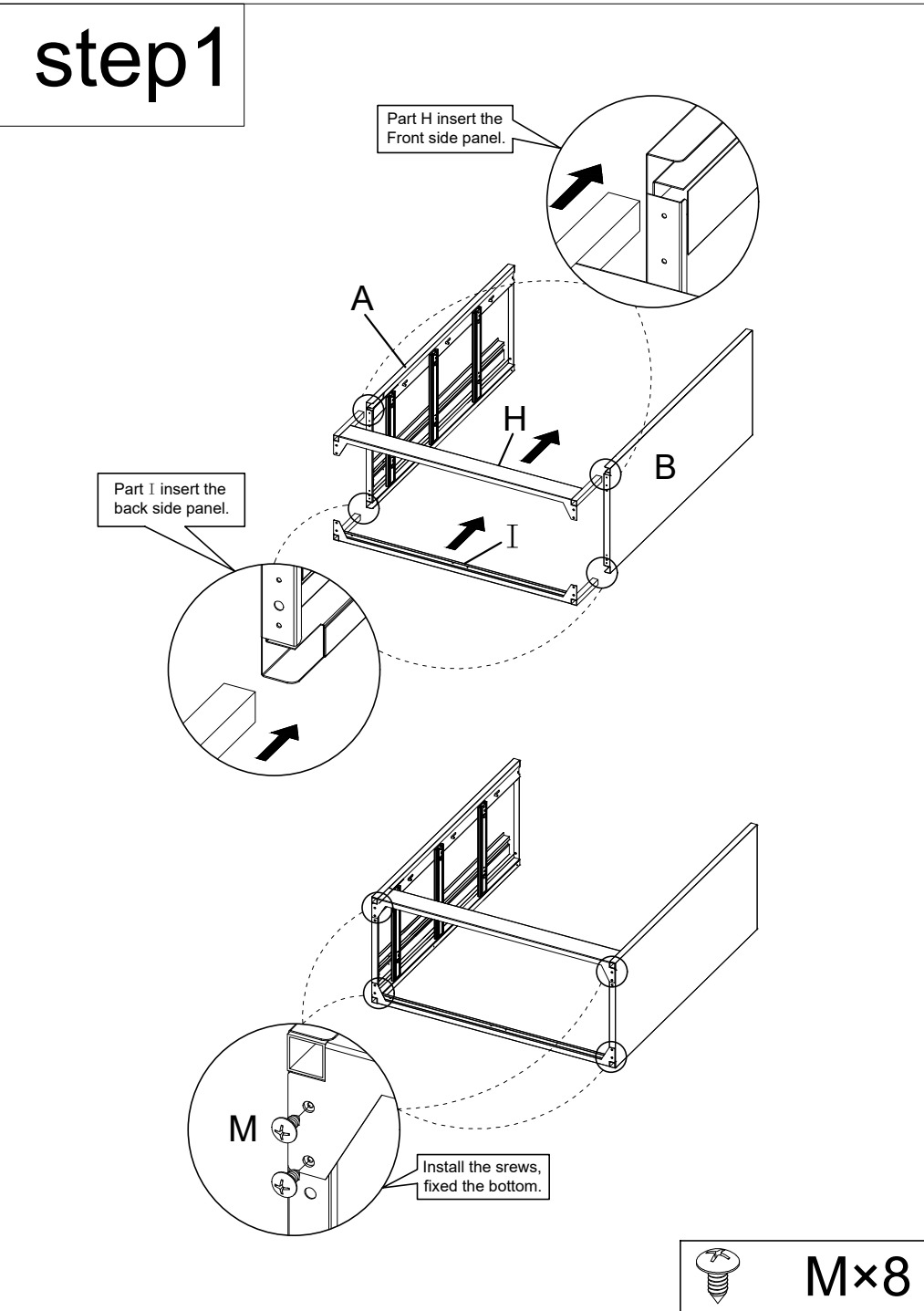
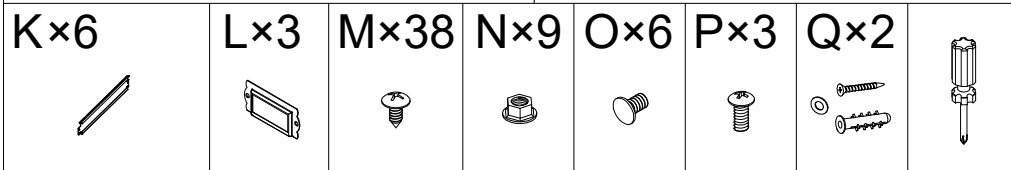
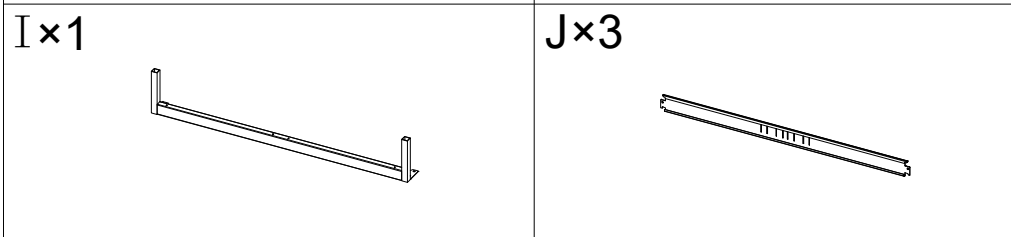
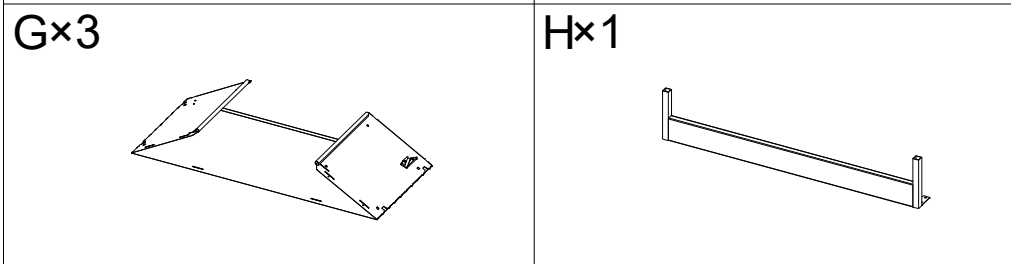
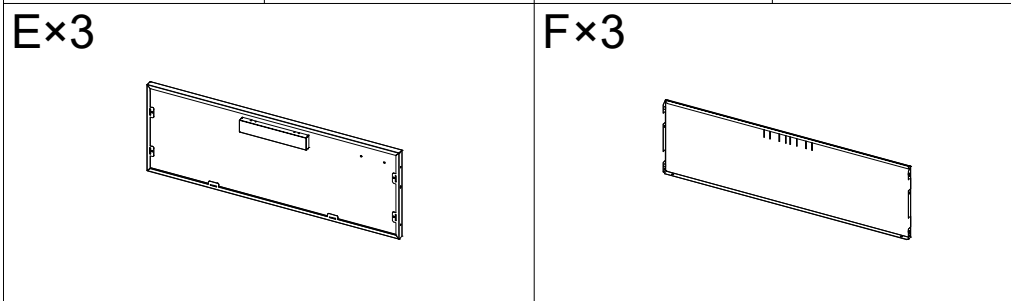
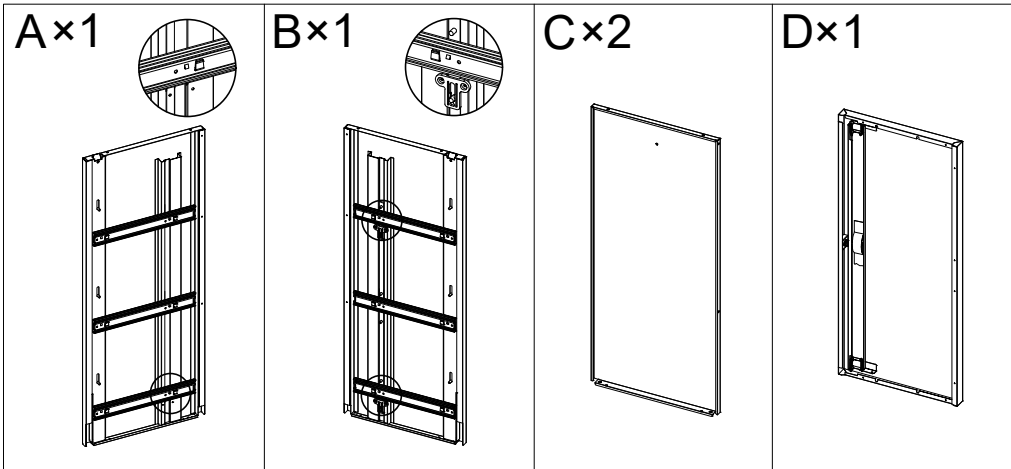
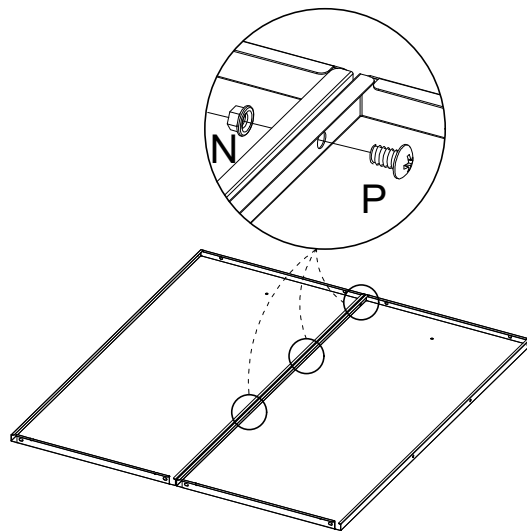
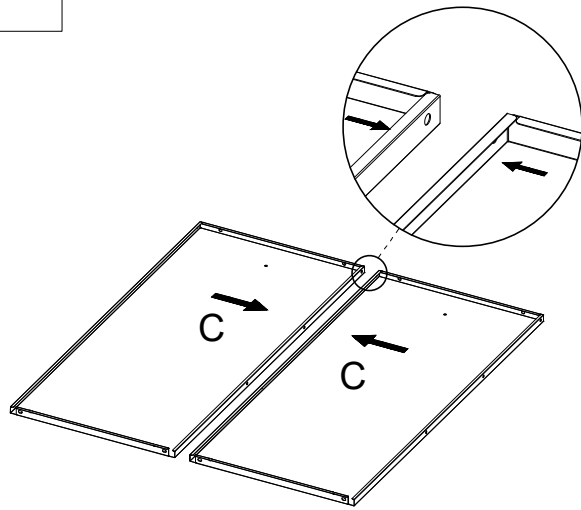


# 3 Drawer Lateral File Cabinet Installation Instructions





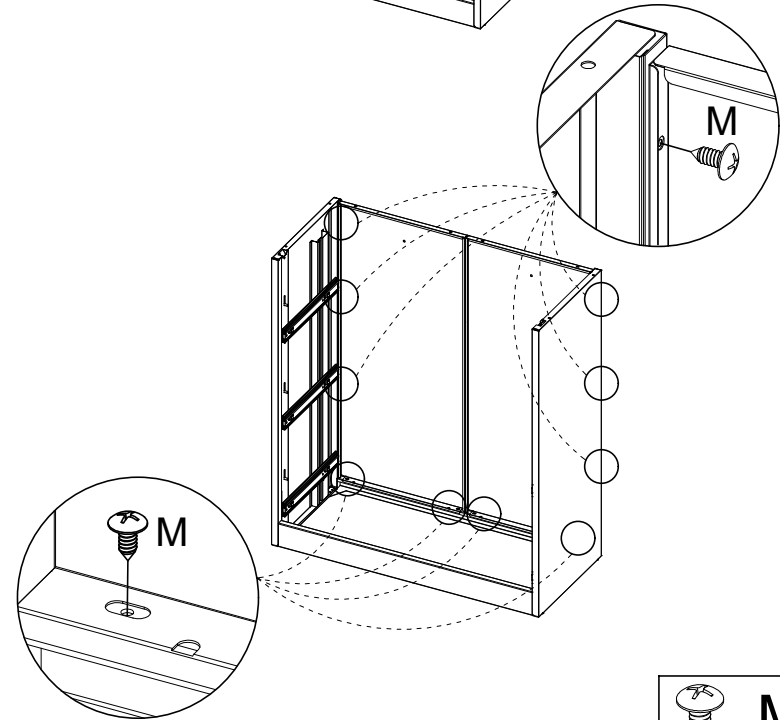
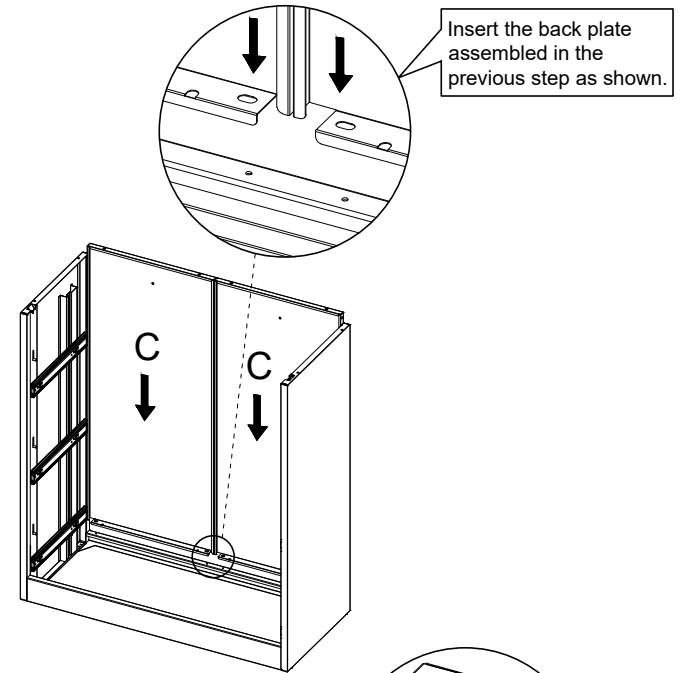
# step2



 N×3

 P×3

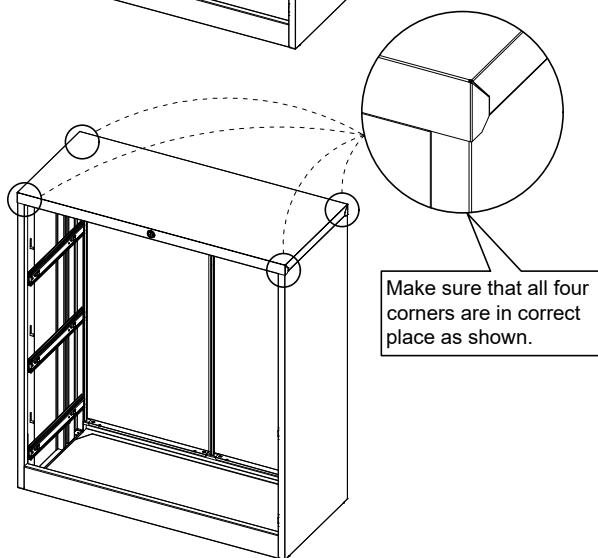
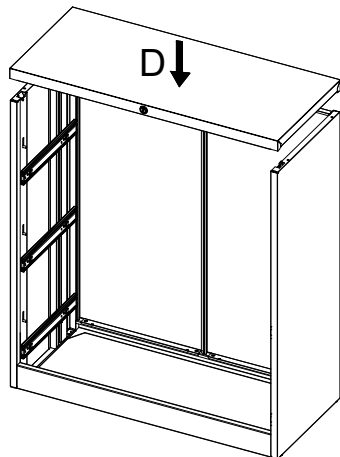
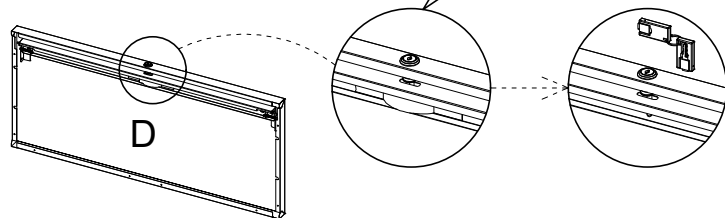
# step3



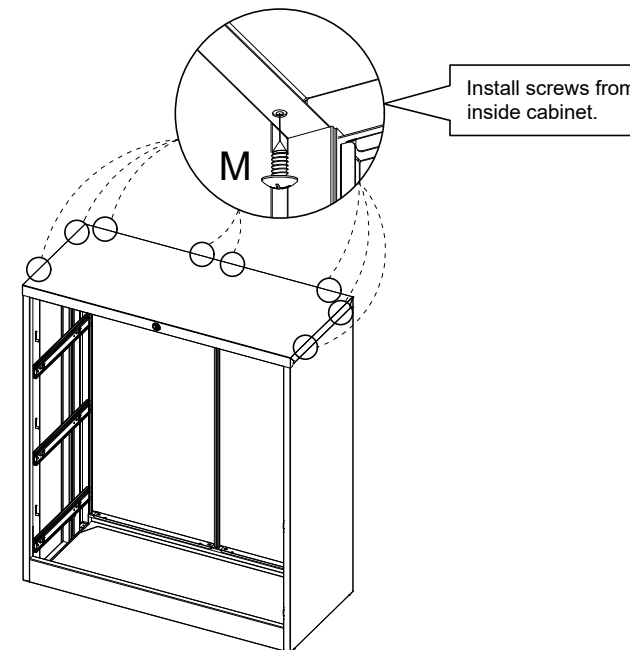
 M×10

# step4

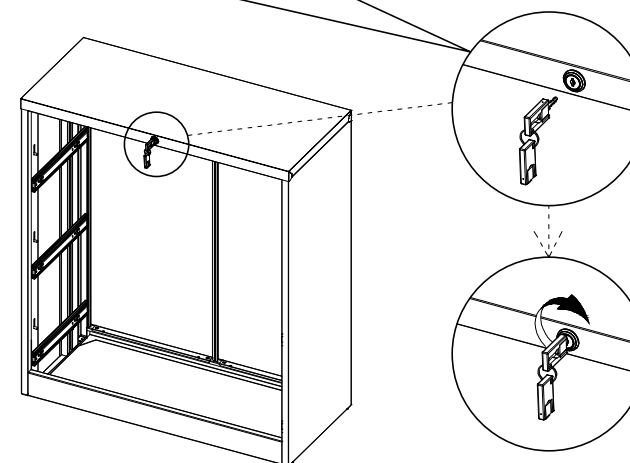
Tear off the tape, cut the ribbon, and take out the key.



# step5



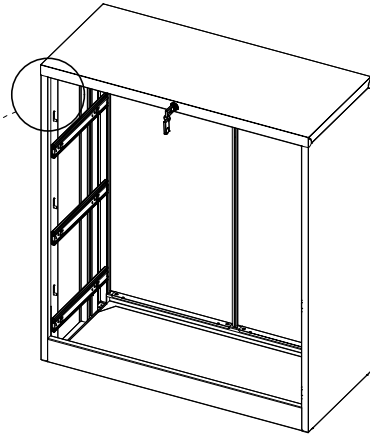
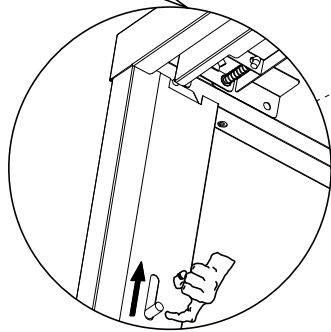
Insert the key removed from Step 4 into the lock hole and turn it clockwise 180°. The lock is now open.



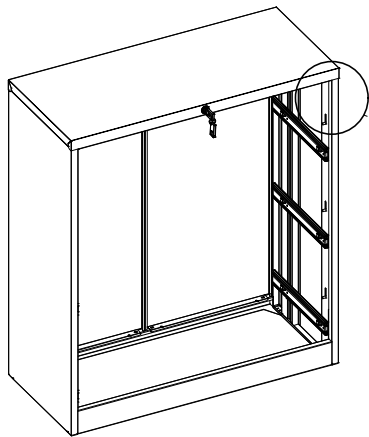
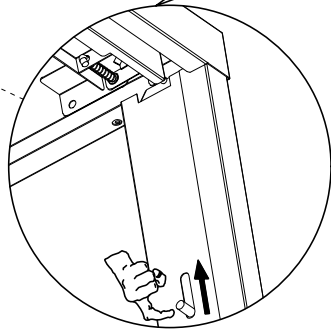
 M×8

# step6

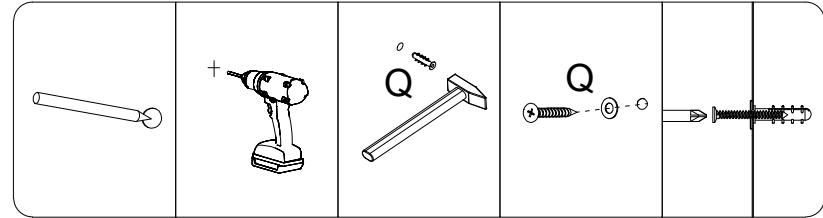
Pull the left lock lever up .



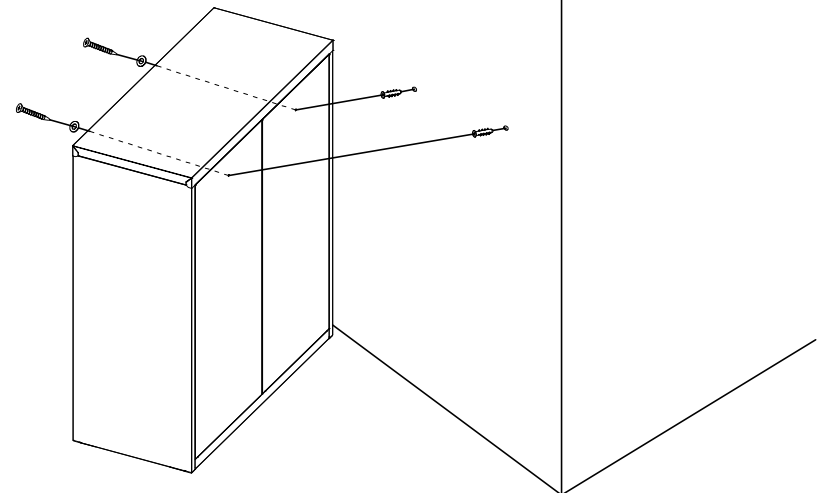
Pull the right lock lever up .

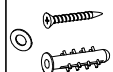


# step7

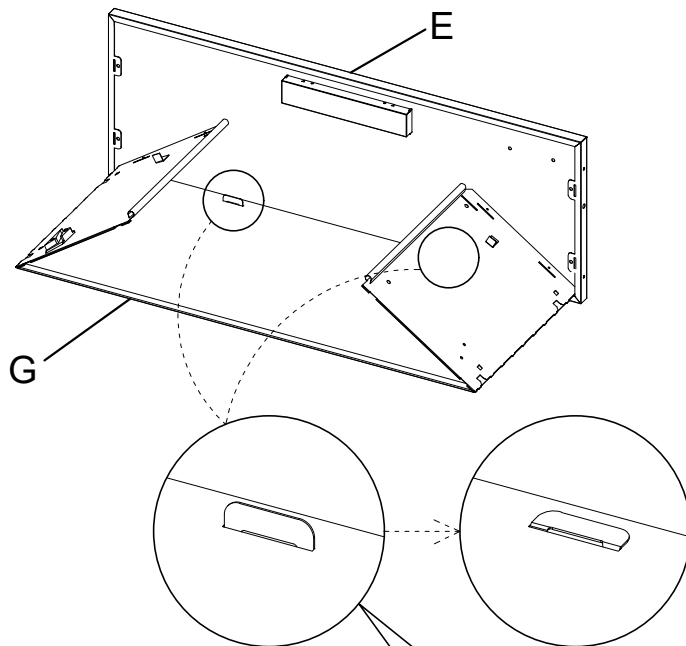
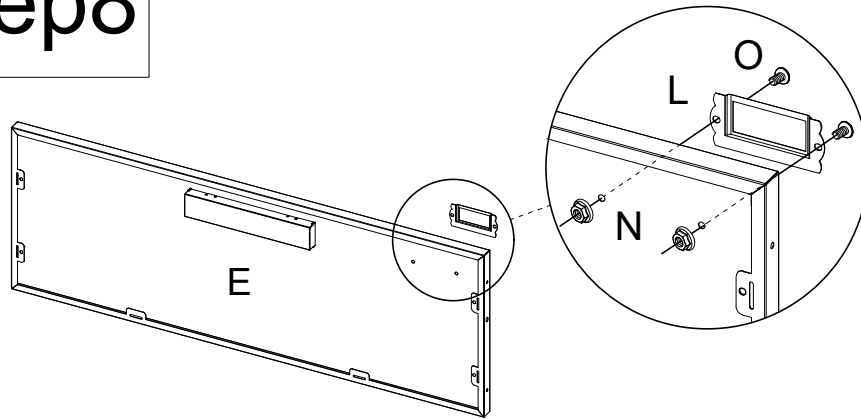


Wall



 Q×2

# step8



Install the drawer bend the buckle at the bottom position.



L×1

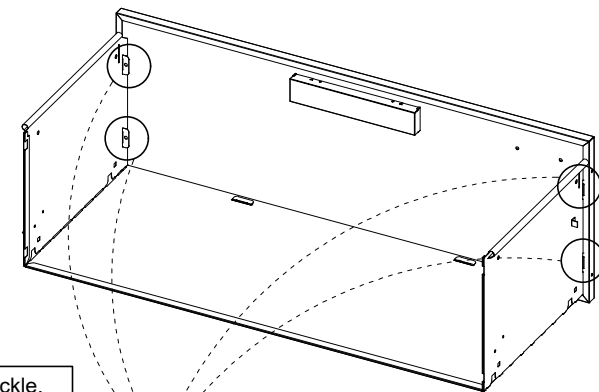
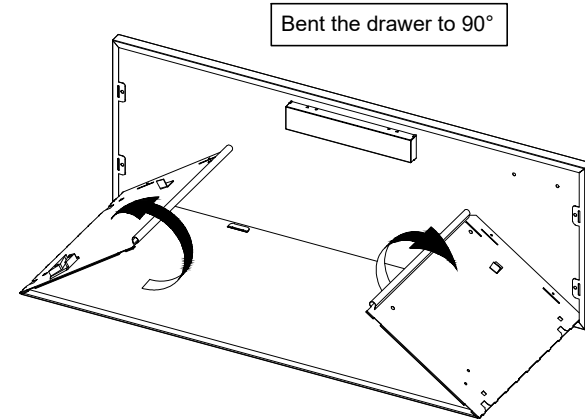


N×2

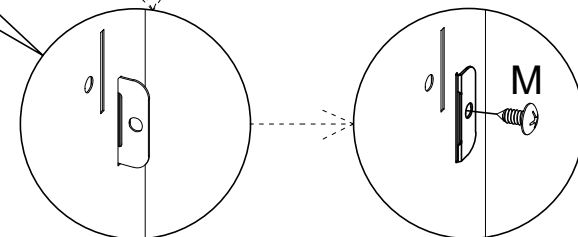


O×2

# step9

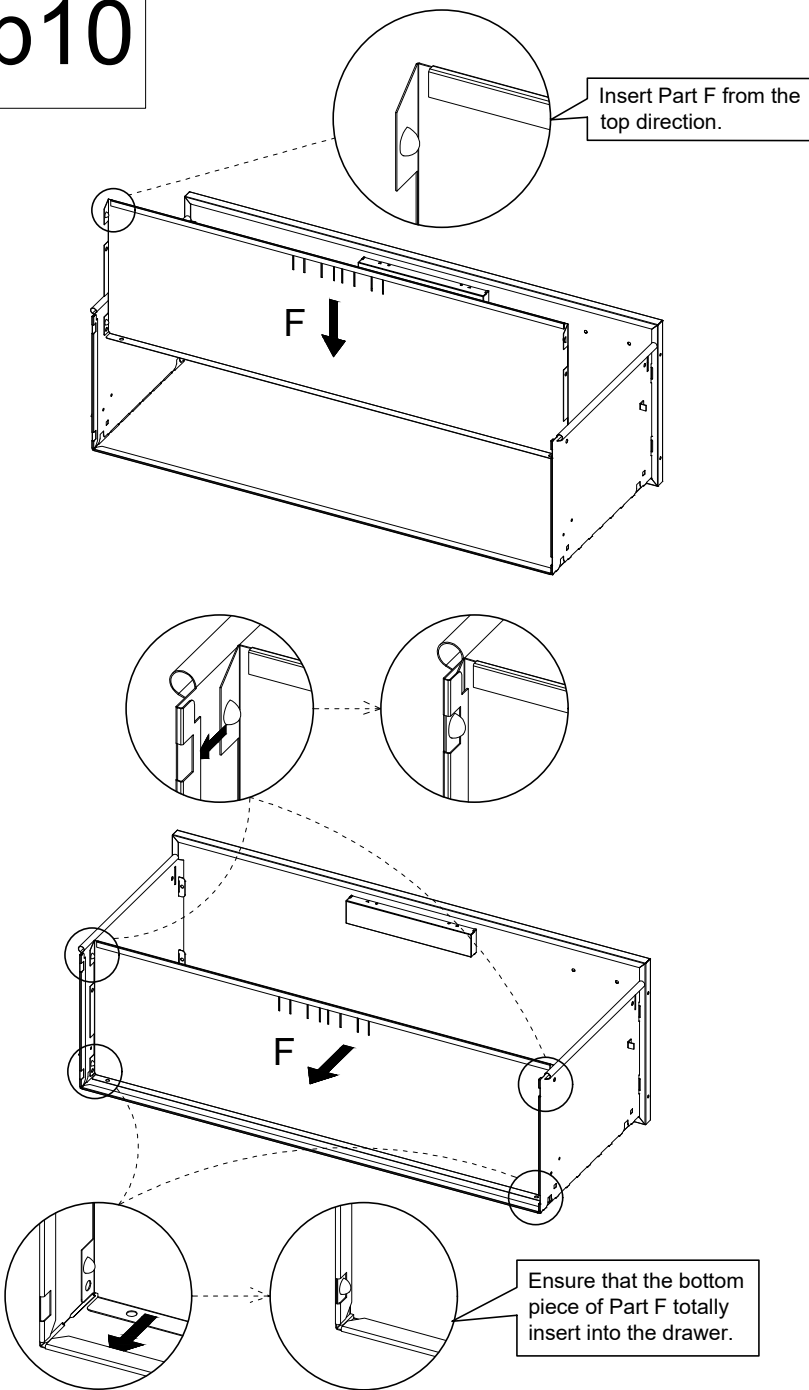


Bend the buckle. Install the screws.

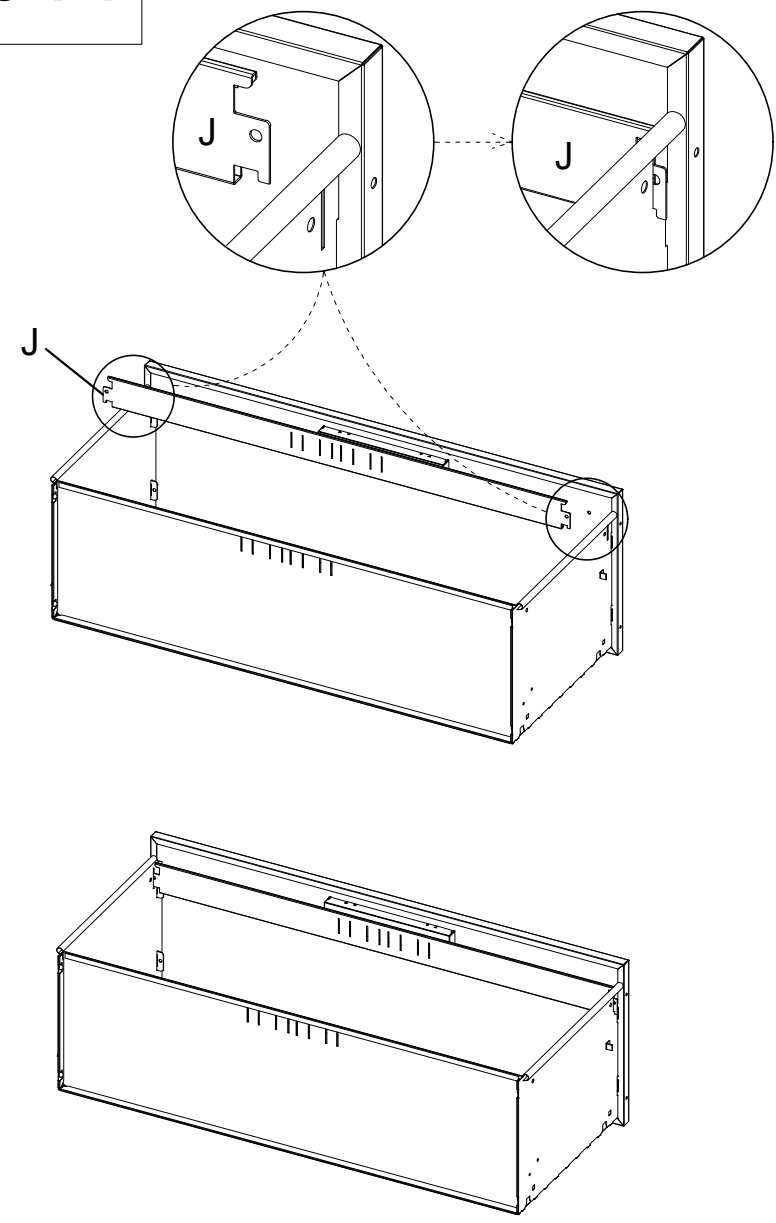


M×4

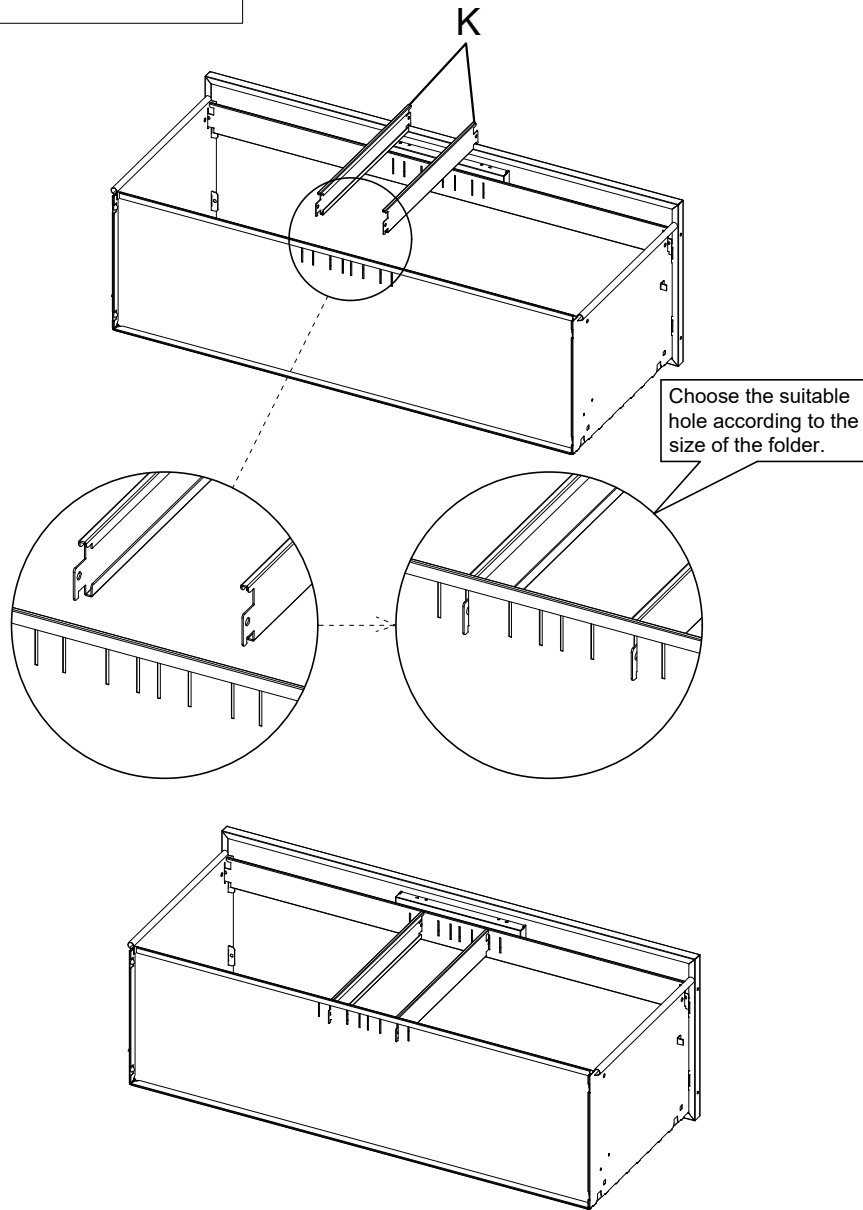
# step 10



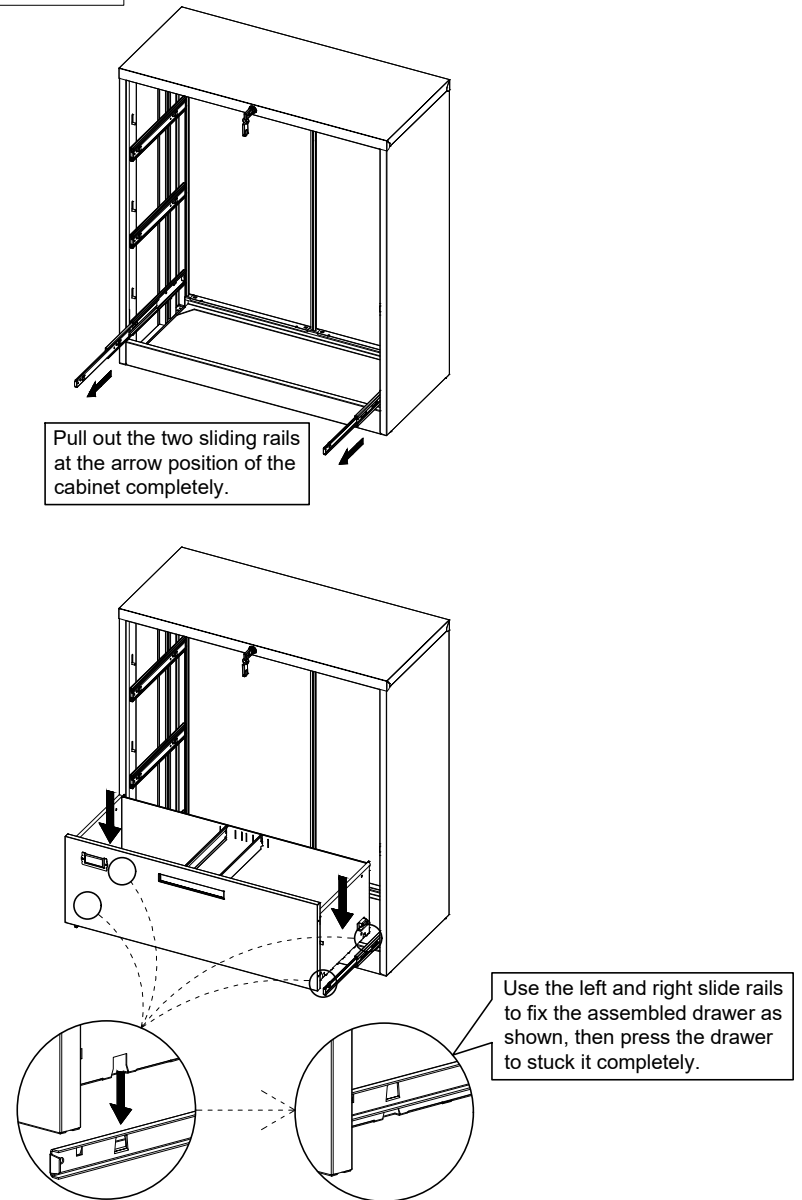
# step 11



# step12

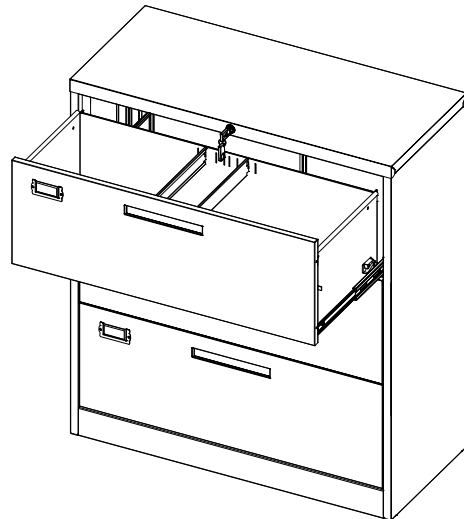
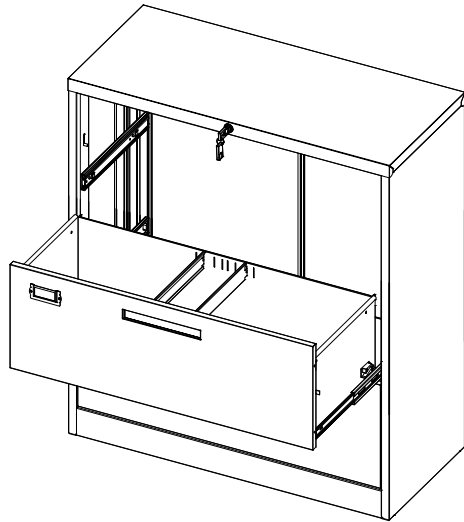


# step13



## step 14

Repeat steps 8,9,10,11,12 and 13 to install the remaining two drawers.  
Note: The pushing of the top drawer will squeeze the spare key.



## step 15

Turn the key 180° counterclockwise and the drawer is locked.

